

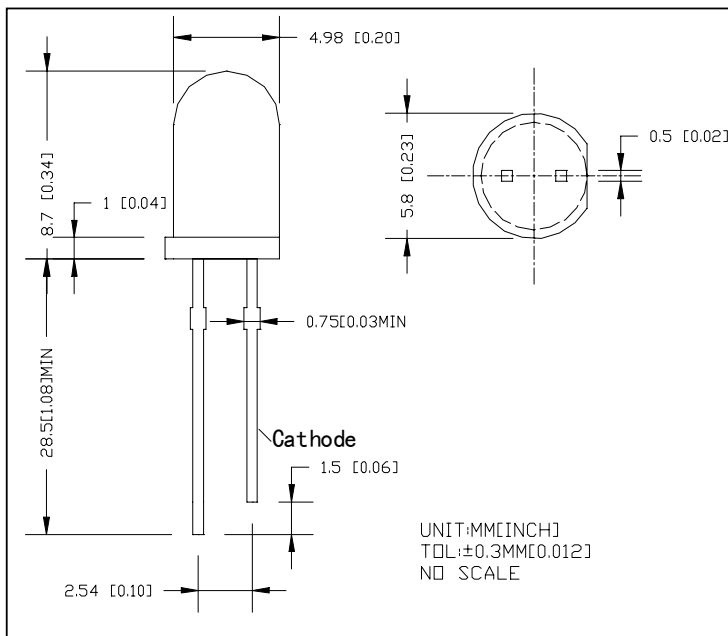
# MICRO ELECTRONICS

MPGB51TB-2C

ULTRA HIGH  
BRIGHTNESS  
PURE GREEN  
LED LAMP

## DESCRIPTION

MPGB51TB-2C is an ultra high brightness InGaN/ GaN signal green LED lamp with 522~531nm dominant wavelength encapsulated in a 5mm diameter , clear transparent lens .



## ABSOLUTE MAXIMUM RATINGS

Power Dissipation @ Ta=25°C	100mW
Forward Current, DC (IF)	30mA
Reverse Voltage	5V
Operating Temperature Range	-20 to +80°C
Storage Temperature Range	-30 to +100°C
Lead Soldering Temperature (1/16" from body)	260°C for 5 sec.

## ELECTRO-OPTICAL CHARACTERISTICS (Ta=25°C)

PARAMETER	SYMBOL	MIN	TYP	MAX	UNIT	CONDITIONS
Forward Voltage	VF		3.1	3.4	V	IF=20mA
Reverse Breakdown Voltage	BVR	5			V	IR=70μA
Luminous Intensity	IV	4200	7200		mcd	IF=20mA
Dominant Wavelength	λ <sub>d</sub>	522	526	531	nm	IF=20mA
Spectral Line Half Width	Δλ		30		nm	IF=20mA
Viewing Angle	2θ 1/2		30		degree	IF=20mA

## CAUTION

Static electricity and surge damages the LED ,It is recommended to use a wrist band or anti-eletrostatic glove when handling the LED . All devices,equipment and machinery must be properly grounded.



MICRO ELECTRONICS LTD.

7/F, Enterprise Square Three, 39 Wang Chiu Road, Kowloon Bay, Kowloon, Hong Kong.  
TEL: (852) 23430181 FAX: (852) 23410321  
HOMEPAGE: <http://www.microelectr.com.hk>

美科有限公司

23/2/2005