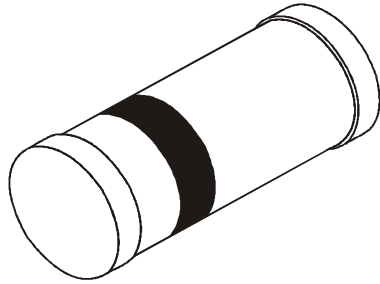


HIGH SPEED SILICON DIODES



CLL458A
CLL459A
SOD - 80C
Mini MELF (LL- 34)

Polarity: Cathode is indicated by a black band

Hermetically Sealed, Glass Silicon Diodes

ABSOLUTE MAXIMUM RATINGS

DESCRIPTION	SYMBOL	CLL458A	CLL459A	UNIT
Peak Repetitive Reverse Voltage	V_{RRM}	180	200	V
Reverse Voltage	V_R	150	175	V
Forward Current	I_F		200	mA
Average Rectified Current	I_O		200	mA
Power Dissipation	P_D		500	mW
Operating and Storage Junction Temperature Range	T_j, T_{stg}	- 65 to +200		° C

ELECTRICAL CHARACTERISTICS (Ta=25° C unless specified otherwise)

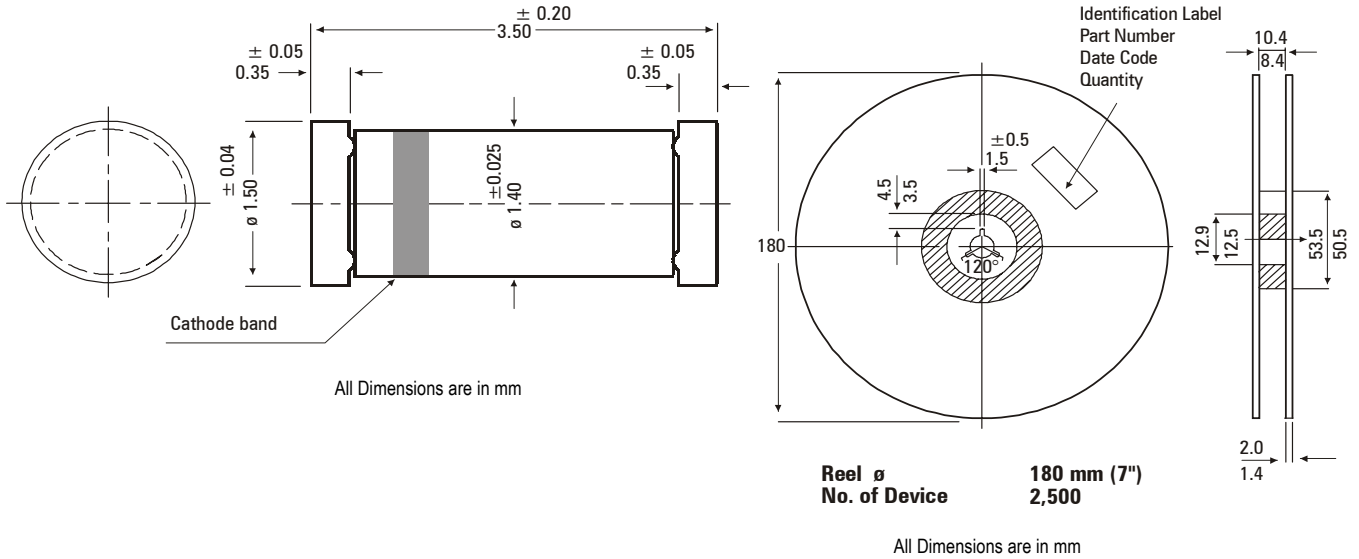
DESCRIPTION	SYMBOL		MIN	MAX	UNIT
Forward Voltage	V_F	$I_F=50\text{ mA}$	-	0.90	V
		$I_F=150\text{ mA}$	-	0.98	V
		$I_F=200\text{ mA}$	-	1.0	V
		$I_F=300\text{ mA}$	-	1.1	V
Reverse Current	I_R	CLL458A $V_R=150\text{V}$	-	20	nA
		CLL459A $V_R=175\text{V}$	-	20	nA
Reverse Breakdown Voltage	V_{RRM}	$I_R=100\mu\text{A}$			
		CLL458A	180	-	V
		CLL459A	200	-	V
Reverse Recovery Time When Switched From	t_{rr}	$I_F=I_R=10\text{mA}$, Recovery to 1.0mA	-	3.0	μs

CLL458A_459ARev140901

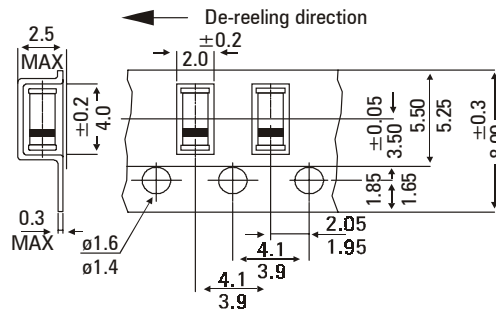
CLL458A
CLL459A

SOD - 80C
Mini MELF (LL-34)

SOD 80C (LL-34) Mini MELF Hermetically Sealed Glass Package

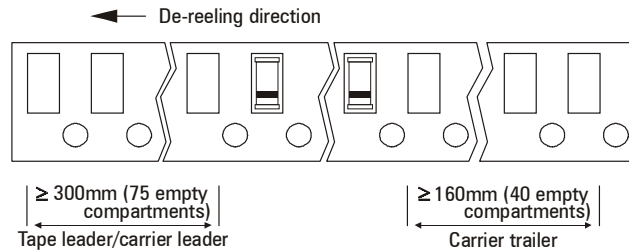


TAPE & REEL



Notes:

1. Maximum of 0.5% of the total number of components per reel may be missing-exclusively at the beginning and at the end of the reel.
2. A maximum of three consecutive components may be missing, provided this gap is followed by six consecutive components.



All Dimensions are in mm

Drawings are not to scale

Packing Detail

PACKAGE	STANDARD PACK		INNER CARTON BOX		OUTER CARTON BOX		
	Details	Net Weight/Qty	Size	Qty	Size	Qty	Gr Wt
SOD-80C T&R	2.5K/reel	225 gm/2.5K pcs	9" x 9" x 9"	40K	18" x 12" x 10" 19" x 19" x 20"	80K 320K	7.2 kgs 28.8 kgs

CLL458A_459ARev140901

Component Disposal Instructions

1. CDIL Semiconductor Devices are RoHS compliant, customers are requested to please dispose as per prevailing Environmental Legislation of their Country.
2. In Europe, please dispose as per EU Directive 2002/96/EC on Waste Electrical and Electronic Equipment (WEEE).

Customer Notes

Disclaimer

The product information and the selection guides facilitate selection of the CDIL's Semiconductor Device(s) best suited for application in your product(s) as per your requirement. It is recommended that you completely review our Data Sheet(s) so as to confirm that the Device(s) meet functionality parameters for your application. The information furnished in the Data Sheet and on the CDIL Web Site/CD are believed to be accurate and reliable. CDIL however, does not assume responsibility for inaccuracies or incomplete information. Furthermore, CDIL does not assume liability whatsoever, arising out of the application or use of any CDIL product; neither does it convey any license under its patent rights nor rights of others. These products are not designed for use in life saving/support appliances or systems. CDIL customers selling these products (either as individual Discrete Semiconductor Devices or incorporated in their end products), in any life saving/support appliances or systems or applications do so at their own risk and CDIL will not be responsible for any damages resulting from such sale(s).

CDIL strives for continuous improvement and reserves the right to change the specifications of its products without prior notice.



CDIL is a registered Trademark of
Continental Device India Limited

C-120 Naraina Industrial Area, New Delhi 110 028, India.
Telephone + 91-11-2579 6150, 4141 1112 Fax + 91-11-2579 5290, 4141 1119
email@cdil.com www.cdilsemi.com