

RS8234

ATM ServiceSAR Plus with xBR Traffic Management

The RS8234 Service Segmentation and Reassembly Controller integrates ATM terminal functions, PCI Bus Master and Slave controllers, and a UTOPIA interface with service specific functions in a single package. The *ServiceSAR* Controller generates and terminates ATM traffic as well as automatically scheduling cells for transmission. The RS8234 is targeted at 155 Mbps throughput systems where the number of VCCs is relatively large, or the performance of the overall system is critical. Examples of such networking equipment include Routers, Ethernet switches, ATM Edge switches, or Frame Relay switches.

Service-Specific Performance Accelerators

The RS8234 incorporates numerous service-specific features designed to accelerate and enhance system performance. As examples, the RS8234 implements Echo Suppression of LAN traffic via LECID filtering, and supports Frame Relay DE to CLP interworking.

Advanced xBR Traffic Management

The xBR Traffic Manager in the RS8234 supports multiple ATM service categories. This includes CBR, VBR (both single and dual leaky bucket), UBR, GFR (Guaranteed Frame Rate) and ABR. The RS8234 manages each VCC independently. It dynamically schedules segmentation traffic to comply with up to 16+CBR user-configured scheduling priorities for the various traffic classes. Scheduling is controlled by a Schedule Table configured by the user and based on a user-specified time reference. ABR channels are managed in hardware according to user programmable ABR templates. These templates tune the performance of the RS8234's ABR algorithms to a specific system's or network's requirements

Distinguishing Features

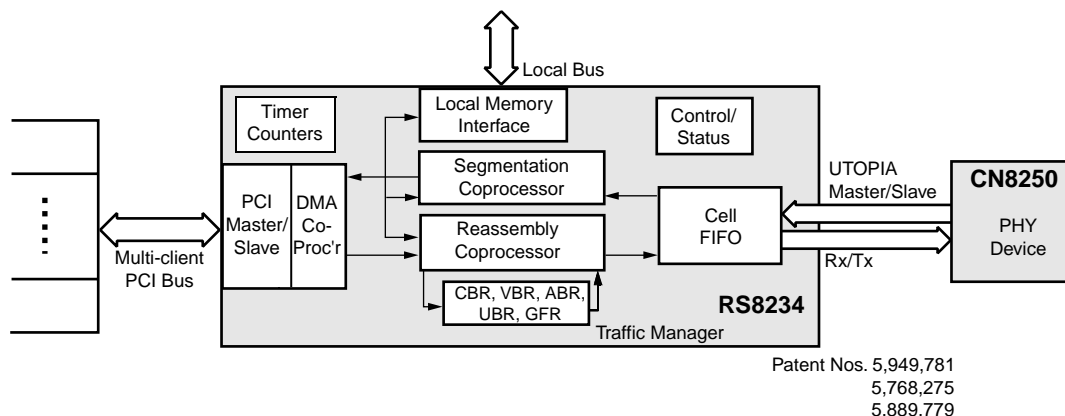
Service-Specific Performance Accelerators

- LECID filtering and echo suppression
- Dual leaky bucket based on CLP (frame relay)
- Frame relay DE interworking
- Internal SNMP MIB counters
- IP over ATM; supports both CLP0+1 and ABR shaping

Flexible Architectures

- Multi-peer host
- Direct switch attachment via reverse UTOPIA
- ATM terminal
 - Host control
 - Local bus control
- Optional local processor

Functional Block Diagram



Ordering Information

Model Number	Package	Operating Temperatures
RS8234	388-pin BGA	-40 °C to 85 °C

Revision History

© 1998-2003, Mindspeed Technologies™, a Conexant business
All Rights Reserved.

Information in this document is provided in connection with Mindspeed Technologies (“Mindspeed”) products. These materials are provided by Mindspeed as a service to its customers and may be used for informational purposes only. Mindspeed assumes no responsibility for errors or omissions in these materials. Mindspeed may make changes to specifications and product descriptions at any time, without notice. Mindspeed makes no commitment to update the information and shall have no responsibility whatsoever for conflicts or incompatibilities arising from future changes to its specifications and product descriptions.

No license, express or implied, by estoppel or otherwise, to any intellectual property rights is granted by this document. Except as provided in Mindspeed’s Terms and Conditions of Sale for such products, Mindspeed assumes no liability whatsoever.

THESE MATERIALS ARE PROVIDED “AS IS” WITHOUT WARRANTY OF ANY KIND, EITHER EXPRESS OR IMPLIED, RELATING TO SALE AND/OR USE OF MINDSPEED PRODUCTS INCLUDING LIABILITY OR WARRANTIES RELATING TO FITNESS FOR A PARTICULAR PURPOSE, CONSEQUENTIAL OR INCIDENTAL DAMAGES, MERCHANTABILITY, OR INFRINGEMENT OF ANY PATENT, COPYRIGHT OR OTHER INTELLECTUAL PROPERTY RIGHT. MINDSPEED FURTHER DOES NOT WARRANT THE ACCURACY OR COMPLETENESS OF THE INFORMATION, TEXT, GRAPHICS OR OTHER ITEMS CONTAINED WITHIN THESE MATERIALS. MINDSPEED SHALL NOT BE LIABLE FOR ANY SPECIAL, INDIRECT, INCIDENTAL, OR CONSEQUENTIAL DAMAGES, INCLUDING WITHOUT LIMITATION, LOST REVENUES OR LOST PROFITS, WHICH MAY RESULT FROM THE USE OF THESE MATERIALS.

Mindspeed products are not intended for use in medical, lifesaving or life sustaining applications. Mindspeed customers using or selling Mindspeed products for use in such applications do so at their own risk and agree to fully indemnify Mindspeed for any damages resulting from such improper use or sale.

The following are trademarks of Conexant Systems, Inc.: Mindspeed Technologies™, the Mindspeed™ logo, and “Build It First”™. Product names or services listed in this publication are for identification purposes only, and may be trademarks of third parties. Third-party brands and names are the property of their respective owners.

For additional disclaimer information, please consult Mindspeed Technologies Legal Information posted at www.mindspeed.com which is incorporated by reference.

Revision	Level	Date	Description
A	Advance	July 1998	Created.
N8234DS1B	RS8234 Rev. C		All changes to the device up through Rev. C are included in this document. Specifically; increase in number of scheduling priorities, increased number of allowed VBR/ABR priorities, added scheduler control register, programmable block size for VCI Index tables, improved VPI/VCI lookup, added byte swapping for control bits, additional field enables for Serial EEPROM and PCI configuration space, programmable size of PCI address space, added optional status queue interrupt delay, and PCR limiting on priority queues.
E	Revision	July 2000	Revised.
500413A	Revision	November 2002	Revisions made. Changed format from Conexant to Mindspeed.
28234-DSH-001-A	Revision	January 2003	New part number, corrected SCH_CTRL register bits 31-27 field size=5 and added bits 25-15 which were missing. Corrected Table 14-2 by replacing 0x7000 with 0x1C00 in Notes section for BASE_PNTR field.
28234-DSH-001-B	Revision	May 2003	All changes denoted with change bars.

Multi-Queue Segmentation Processing

The RS8234's segmentation coprocessor generates ATM cells for up to 64 K VCCs at a line rate of up to 200 Mbps for simplex connections. The segmentation coprocessor formats cells on each channel according to segmentation VCC Tables, utilizing up to 32 independent transmit queues and reporting segmentation status on a parallel set of up to 32 segmentation status queues. The segmentation coprocessor fetches client data from the host, formats ATM cells while generating and appending protocol overhead, and forwards these to the UTOPIA port. The segmentation coprocessor operates as a slave to the xBR Traffic Manager which schedules VCCs for transmission.

Multi-Queue Reassembly Processing

The RS8234's reassembly coprocessor stores the payload data from the cell stream received by the UTOPIA port into host data buffers. Using a dynamic lookup method which supports NNI or UNI addressing, the reassembly coprocessor processes up to 64 K VCCs simultaneously. The host supplies free buffers on up to 32 independent free buffer queues, and the reassembly coprocessor performs all CPCS protocol checks and reports the results of these checks as well as other status data on one of 32 independent reassembly status queues.

High Performance Host Architecture with Buffer Isolation

The RS8234 host interface architecture maximizes performance and system flexibility. The device's control and status queues enable host/SAR communication via write operations alone. This lowers latency and PCI bus occupancy. Flexibility is achieved by supporting a scalable peer-to-peer architecture. Multiple host clients may be addressed by the SAR as separate physical or logical PCI peers. Segmentation and reassembly data buffers on the host system are identified by buffer descriptors in SAR shared (or host) memory which contain pointers to buffers. The use of buffer descriptors in this way allows for isolation of data buffers from the mechanisms that handle buffer allocation and linking. This provides a layer of indirection in buffer assignment and management that maximizes system architecture flexibility.

Designer Toolkit

Mindspeed provides an evaluation environment for the RS8234 which provides a working reference design, an example software driver, and facilities for generating and terminating all service categories of ATM traffic. This system accelerates ATM system development by providing a rapid prototyping environment.

New Features

- 3.3 V, 388 BGA lowers power and eases PCB assembly
- AAL3/4 CPCS generation and checking
- PCI 2.1, including support for serial EEPROM
- Enhancements to xBR Traffic Manager
 - fewer ABR templates
 - improved CBR tunneling
- Reduced memory size for VCC lookup tables
- Increased addressing flexibility
- Additional byte lane swappers for increased system flexibility

xBR Traffic Management

- TM 4.1 Service Classes
 - CBR
 - VBR (single, dual and CLP-based leaky buckets)
 - Real time VBR
 - ABR
 - UBR
 - GFC (controlled & uncontrolled flows)
 - Guaranteed Frame Rate (GFR) (guaranteed MCR on UBR VCCs)
- 16 Levels of priorities (16 + CBR)
- Dynamic per-VCC scheduling
- Multiple programmable ABR templates (supplied by Mindspeed or user)
- Scheduler driven by local system clock for low jitter CBR
- Internal RM OAM cell feedback path
- Virtual FIFO rate matching (Source Rate Matching)
- Per-VCC MCR and ICR.
- Tunneling
 - VP tunnels (VCI interleaving on PDU boundaries)
 - CBR tunnels (cells interleaved as UBR, VBR or ABR with an aggregate CBR limit)

Multi-Queue Segmentation Processing

- 32 transmit queues with optional priority levels
- 64 K VCCs maximum *
- AAL5 & AAL3/4 CPCS generation
- AAL0 Null CPCS (optional use of PTI for PDU demarcation)
- ATM cell header generation
- Raw cell mode (52 octet)
- 200 Mbps half duplex
- 155 Mbps full duplex (w/ 2-cell PDUs)
- Variable length transmit FIFO - CDV - host latency matching (1 to 9 cells)

- Symmetric Tx and Rx architecture
 - buffer descriptors
 - queues
- User defined field circulates back to the host (32 bits)
- Distributed host or SAR shared memory segmentation
- Simultaneous segmentation and reassembly
- Per-PDU control of CLP/PTI (UBR)
- Per-PDU control of AAL5 UU field
- Message & streaming status modes
- Virtual Tx FIFO (PCI host)

Multi-Queue Reassembly Processing

- 32 reassembly queues
- 64 K VCCs maximum *
- AAL5 & AAL3/4 CPCS checking
- AAL0
 - PTI termination
 - Cell count termination
- Early Packet Discard, based on:
 - Receive buffer underflow
 - Receive status overflow
 - CLP with priority threshold
 - AAL5 max PDU length
 - Rx FIFO full
 - Frame relay DE with priority threshold
 - LECID filtering and echo suppression
 - Per-VCC firewalls
- Dynamic channel lookup (NNI or UNI addressing)
 - Supports full address space
 - Deterministic
 - Flexible VCI count per VPI
 - Optimized for signalling address assignment
- Message and streaming status modes
- Raw cell mode (52 octet)
- 200 Mbps half duplex
- 155 Mbps full duplex (w/ 2-cell PDUs)
- Distributed host or SAR shared memory reassembly
- 8 Programmable reassembly hardware time-outs (per-VCC assignable)
- Global max PDU length for AAL5
- Per-VCC buffer firewall (memory usage limit)
- Simultaneous reassembly and segmentation
- Idle cell filtering
- 32 K duplex VCCs

High Performance Host Architecture with Buffer Isolation

- Write-only control and status
- Read multiple command for data transfer
- Up to 32 host clients control and status queues
- Physical or logical clients
 - Enables peer-to-peer architecture
- Descriptor-based buffer chaining
- Scatter/gather DMA
- Endian neutral (allows data word and control word byte swapping, for both big and little endian systems)
- Non-word (byte) aligned host buffer addresses
- Automatically detects presence of Tx data or Rx free buffers
- Virtual FIFOs (PCI bursts treated as a single address)
- Hardware indication of BOM
- Allows isolation of system resources
- Status queue interrupt delay

Designer Toolkit

- Evaluation hardware and software
- Reference schematics
- Hardware Programming Interface - RS823xHPI reference Source code (C)

Generous Implementation of OAM-PM Protocols

- Detection of all F4/F5 OAM flows
- Internal PM monitoring and generation for up to 128 VCCs
- Optional global OAM Rx/Tx queues
- In-Line OAM insertion & generation

Standards-Based I/O

- 33 MHz PCI 2.1
- Serial EEPROM to store PCI configuration information
- PHY interfaces
 - UTOPIA master (Level 1)
 - UTOPIA slave (Level 1)
- Flexible SAR shared memory architecture
- Optional local control interface
- Boundary scan for board-level testing
- Source loopback, for diagnostics
- Glueless connection to Mindspeed's ATM physical layer device, the RS8250

Standards Compliance

- UNI/NNI 3.1
- TM 4.1
- Bellcore GR-1248
- ATM Forum B-ICI V2.0
- I.363
- I.610 /GR-1248
- AToM MIB (RFC1695)
- ILMI MIB
- ANSI T1.635
- GFC per I.361
- SNMP
- PCI Revision 2.1
- IEEE 1149.1-1990
- IEEE 1149.1 Supplement B, 1994

Electrical/Mechanical

- 388 BGA package
- 3.3 V power supply
- 5 V tolerant I/O pads
- 5 V – 3.3 V PCI pads
- Low power 1.5 W (typical) @ full rate
- Industrial temperature range
- TTL level inputs
- CMOS level outputs

Statistics and Write-Only Counters

- Global register counter of # of cells transmitted
- Global register counter of # of cells rcvd on active channels
- Global register counter of # of cells rcvd on inactive channels
- Global register counter of # of AAL5 CPCS-PDUs discarded due to per-channel firewall, etc.
- RSM per-VCC service discard counters (frame relay & LANE)
- One programmable Interval Timer (32 bits w/ interrupt)
- per-VCC AAL3/4 MIB counters:
 - # cells w/ CRC10 errors
 - # cells w/ MID errors
 - # cells w/ LI errors
 - # cells w/ SN errors
 - # cells w/ BOM or SSM errors
 - # cells w/ EOM errors

1.0 RS8234 Product Overview

1.1 Introduction

The RS8234 Service Segmentation and Reassembly Controller (*ServiceSAR*) delivers a wide range of advanced ATM, AAL, and service-specific features in a highly integrated CMOS package.

Some of the RS8234 service-level features provide system designers with capabilities of accelerating specific protocol interworking functions. These features include, for example, Virtual FIFO segmentation of circuit-based Constant Bit Rate (CBR) traffic, and Frame Relay Early Packet Discard (EPD) based on the Discard Eligibility (DE) field.

Other service-level functions enable network level functionality or topologies. Two examples of these features include Generic Flow Control (GFC), and echo suppression of multicast data frames on Emulated LAN (ELAN) channels.

In addition to meeting the requirements contained in UNI 3.1, the RS8234 complies with ATM Forum Traffic Management specification TM 4.1. The RS8234 provides traffic shaping for all service categories:

- CBR, Variable Bit Rate (VBR) — both single and dual leaky bucket
- Unspecified Bit Rate (UBR)
- Available Bit Rate (ABR)
- GFC — both controlled and uncontrolled flows
- Guaranteed Frame Rate (GFR), i.e., guaranteed Minimum Cell Rate (MCR) on UBR Virtual Channel Connections (VCCs)

The internal xBR Traffic Manager automatically schedules each VCC according to user assigned parameters.

The RS8234's architecture is designed to minimize and control host traffic congestion. The host manages the RS8234 terminal using an efficient architecture employing write-only control and status queues. For example, the host submits data for transmit by writing buffer descriptor pointers to one of 32 Transmit Queues. These entries can be thought of as task lists for the *ServiceSAR* to perform. The RS8234 reports segmentation and reassembly status to the host by writing entries to segmentation and reassembly status queues, which the host then further processes. This architecture lessens the control burden on the host system and minimizes Peripheral Component Interconnect (PCI) bus utilization by eliminating reads across the PCI bus from host control activities.

The RS8234 host interface provides for control of host congestion through the following mechanisms. First, each peer maintains separate control and status queues. Then, each VCC in a peer group may be limited to a specific maximum receive buffer utilization, further controlling congestion. EPD is supported for VCCs that exceed their resource allotments. On transmit, peers are assigned fixed or round robin priority to ensure predictable servicing. The host can implement a congestion notification algorithm for ABR with a simple one-word write to an SAR control register. The SAR will reduce the Explicit Rate (ER) field or set the Congestion Indication (CI) bit in Turnaround (Resource Management (RM) cells, based on user configuration.

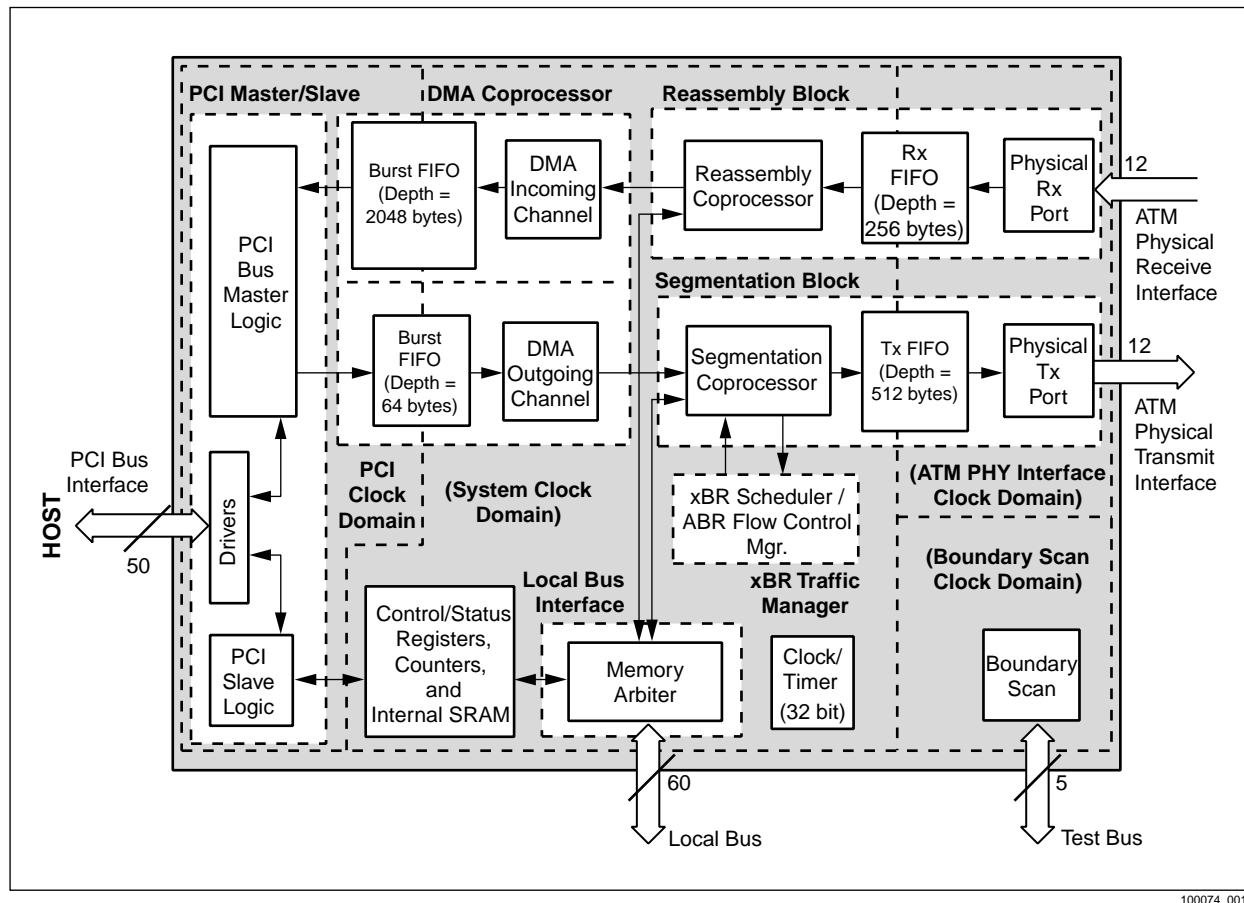
The RS8234 consists of five separate coprocessors:

- Incoming DMA,
- Outgoing DMA,
- Reassembly,
- Segmentation, and
- xBR Traffic Manager

Each coprocessor maintains state information in shared, off-chip memory. This memory is controlled by the SAR through the local bus interface, which arbitrates access to the bus between the various coprocessors. Although these coprocessors run off the same system clock, they operate asynchronously from each other. Communication between the coprocessors takes place through on-chip FIFO buffers or through queues in SAR-shared memory (that is, memory local to the SAR and accessible both to the SAR and the host).

The RS8234's on-chip coprocessor blocks are surrounded by high performance PCI and UTOPIA ports for glueless interface to a variety of system components with full line rate throughput and low bus occupancy. [Figure 1-1](#) illustrates these functional blocks.

Figure 1-1. RS8234 Functional Block Diagram



100074_001

1.2 Service-Specific Performance Accelerators

The RS8234 incorporates several service-specific features, which accelerate system performance. Some of these service level features provide the possibility for designers to accelerate specific protocol interworking functions. Other service level features enable network level functionality. These features are outlined in [Chapter 2.0](#), and are fully described in succeeding chapters.

UNI or NNI Addressing

The RS8234 handles both User-Network Interface (UNI) addresses, which use an 8-bit Virtual Path Identifier (VPI) field, and Network-to-Network Interface (NNI) addresses, which use a 12-bit VPI field.

Frame Relay Interworking

The VBR traffic category includes rate-shaping via the dual leaky bucket Generic Cell Rate Algorithm (GCRA) based on the Cell Loss Priority (CLP) bit, for use in Frame Relay. The RS8234 also implements the Frame Relay discard attribute by

performing early packet discard based on the frame's DE field and assigned discard priority.

IP Interworking

The RS8234 facilitates ATM call control signalling procedures as defined in ATM Forum's UNI Signalling 4.0 Specification (SIG 4.0), to support IP over ATM environments. Some of the SIG 4.0 capabilities that are of interest to IP over ATM and which the RS8234 allows for are as follows:

- ABR signalling for point-to-point calls
- Traffic parameter negotiation
- Frame discard support

Guaranteed Frame Rate

The RS8234 can rate-shape ATM Adaptation Layer Type 5 (AAL5) Common Part Convergence Sublayer Protocol Data Units (CPCS-PDUs, i.e., "frames") in the UBR service category, by providing a guaranteed MCR for UBR VCCs.

Early Packet Discard

The EPD feature provides a mechanism to discard complete or partial CPCS-PDUs based upon service discard attributes or error conditions. The reassembly coprocessor performs EPD functions under the following conditions:

- Frame Relay packet discard based on the DE field in the received frame and the channel exceeding a user-defined priority threshold.
- Packet discard based on the CLP bit.
- LANE-LECID packet discard to implement echo suppression on multicast data frames on ELAN channels.
- Packet discard when a firewall condition occurs on a VCC or group.
- Receive FIFO full condition/threshold.
- Various AAL3/4 Management Information Base (MIB) errors.

CBR Traffic Handling

The segmentation coprocessor includes an internal rate-matching mechanism to match the internal rate (the local reference rate) of CBR segmentation to an external rate (the host rate).

The user can direct the RS8234 to segment traffic from a fixed PCI address (i.e., a Virtual FIFO) for circuit-based CBR traffic.

The user can delineate up to sixteen CBR pipes (or tunnels) in which to transmit multiple UBR, VBR, or ABR channels. In addition, the bandwidth of any single tunnel can be shared by up to four different priorities of traffic, in effect, establishing a multi-service tunnel. This allows proprietary management schemes to operate under preallocated CBR bandwidths.

ABR Traffic Management

The ABR Flow Control Manager dynamically rate-shapes ABR traffic independently per VCC, based upon network feedback. One or more ABR templates are used to govern the behavior of traffic.

- Both Relative Rate (RR) and ER algorithms are employed when computing a rate adjustment on an ABR VCC.
- Programmable ABR templates allow rate-shaping on groups of VCCs to

be tuned for different network policies.

- New per-VCC MCR and ICR fields reduce the number of ABR templates needed in local memory.
- The RS8234 allows rate adjustments on Turnaround RM cells, based on congestion in the host.
- The RS8234 allows rate adjustments due to Use-It-Or-Lose-It behavior.
- The RS8234 generates out-of-rate Forward RM cell(s) to restart scheduling of a VCC whose rate has dropped below the Schedule Table minimum rate.
- The RS8234 optionally posts the current Allowed Cell Rate (ACR) on the segmentation status queue for the host monitoring functions.

VBR Traffic Management

The RS8234 schedules each VBR VCC according to GCRA parameters stored in the individual VCC control tables. The internal xBR Traffic Manager schedules the transmitted data to maximize the permitted link utilization. The actual rate sent is accurate to within 0.15% of the negotiated rates over a range from 10 cells per second to full line rate of 155 Mbits/sec.

Three VBR modes are supported:

- Sustained cell rate (one leaky bucket)
 - Peak and sustained cell rate (dual leaky bucket)
 - CLP 0+1 shaping (supports committed/best effort services)
- (This is the mode recommended by the Internet Engineering Task Force [IETF] as the most convenient model for IP over ATM interworking.)

Virtual Path Networking

The RS8234 can interleave segmentation of numerous VCCs (i.e., separate VC channels) as members of one Virtual Path (VP). VP-based traffic shaping is supported. The entire VP is scheduled according to parameters for one VCC.

AAL for Proprietary Traffic

The RS8234 incorporates an AAL0 traffic class for both segmentation and reassembly, which acts as an AAL level for proprietary use. Several options for packetization are implemented.

Optional Local Processing of ATM Management Traffic

The RS8234's Local Processor Interface allows for an optional local processor to direct segmentation and reassembly of ATM management level traffic, such as Operations and Maintenance (OAM) cells, Performance Monitoring (PM) cells, signalling, and Interim Local Management Interface (ILMI) traffic. This off-loads network control traffic from the host, thereby focusing host processing power on the user application.

Internal SNMP MIB Counters

RS8234 has three internal counters that measure cells received, cells discarded, and AAL5 PDUs discarded (to meet ILMI and RFC1695 requirements).

1.3 Designer Toolkit

The RS8234 ATM evaluation environment provides evaluation capability for the RS8234 *ServiceSAR*. This environment serves as a hardware and software reference design for development of customer-specific ATM applications. The evaluation hardware and software was designed to provide a rapid prototyping environment to assist and speed customer development of new ATM products, thereby reducing product time to market.

This environment facilitates the following:

- Assists and speeds customer product development
- Provides hardware reference design
- Provides software reference design (based on VxWorks)
- Provides traffic generation and checking capability

Comprising part of this development environment is the RS8234/8250EVM, a PCI card specifically designed to be a full-featured ATM controller implementing the full functionality of the RS8234 *ServiceSAR*. The RS8234 resides at the heart of this PCI card.

The PCI interface between the host processor and the local system is controlled by Mindspeed's Hardware Programming Interface (RS823xHPI), a software driver to the RS8234, on top of which a system designer can develop and place proprietary driver software. This interface allows users to easily port their applications to the RS8234. This software is written in C, and Source code is available under license agreement.

The evaluation environment also includes a full set of design schematics, as well as artwork for the RS8234EVM PCI card.

Table of Contents

1.0	RS8234 Product Overview	1-1
1.1	Introduction	1-1
1.2	Service-Specific Performance Accelerators	1-3
1.3	Designer Toolkit	1-6
	Table of Contents	1-7
	List of Figures	1-17
	List of Tables	1-21
2.0	Architecture Overview	2-1
2.1	Introduction	2-1
2.2	High Performance Host Architecture with Buffer Isolation	2-2
2.2.1	Multiple ATM Clients	2-2
2.2.2	RS8234 Queue Structure	2-3
2.2.3	Buffer Isolation Using Descriptor-Based Buffer Chaining	2-6
2.2.4	Status Queue Relation to Buffers and Descriptors	2-8
2.2.5	Write-Only Control/Status	2-10
2.2.6	Scatter/Gather DMA	2-10
2.2.7	Interrupts	2-11
2.3	Automated Segmentation Engine	2-12
2.4	Automated Reassembly Engine	2-14
2.5	Advanced xBR Traffic Management	2-16
2.5.1	CBR Traffic	2-18
2.5.2	VBR Traffic	2-18
2.5.3	ABR Traffic	2-19
2.5.4	UBR Traffic	2-19
2.5.5	GFR Traffic	2-19
2.5.6	xBR Cell Scheduler	2-20
2.5.7	ABR Flow Control Manager	2-21
2.6	Burst FIFO Buffers	2-22
2.7	Implementation of OAM-PM Protocols	2-23

2.8	Standards-Based I/O	2-24
2.9	Electrical/Mechanical	2-25
2.10	Logic Diagram and Pin Descriptions	2-25
3.0	Host Interface	3-1
3.1	Overview	3-1
3.2	Multiple Client Architecture	3-2
3.2.1	Logical Clients	3-2
3.2.2	Resource Allocation	3-3
3.2.3	Resource Isolation	3-3
3.2.4	Peer-to-Peer Transfers	3-4
3.2.5	Local Processor Clients	3-5
3.3	Write-Only Control and Status	3-6
3.3.1	Write-Only Control Queues	3-6
3.3.1.1	Control Variables	3-7
3.3.1.2	Queue Management	3-7
3.3.1.3	Underflow Conditions	3-8
3.3.2	Write-only Status Queues	3-9
3.3.2.1	Control Variables	3-9
3.3.2.2	Queue Management	3-10
3.3.2.3	Overflow Conditions	3-11
3.3.2.4	Status Queue Interrupt Delay	3-11
4.0	Segmentation Coprocessor	4-1
4.1	Overview	4-1
4.2	Segmentation Functional Description	4-2
4.2.1	Segmentation VCCs	4-2
4.2.1.1	Segmentation VCC Table	4-2
4.2.1.2	VCC Identification	4-3
4.2.2	Submitting Segmentation Data	4-4
4.2.2.1	User Data Format	4-4
4.2.2.2	Buffer Descriptors	4-4
4.2.2.3	Host Linked Segmentation Buffer Descriptors	4-5
4.2.2.4	Transmit Queues	4-5
4.2.2.5	Partial PDUs	4-7
4.2.2.6	Virtual Paths	4-7
4.2.3	CPCS-PDU Processing	4-8
4.2.3.1	AAL5	4-8
4.2.3.2	AAL3/4	4-9

4.2.3.3	AAL0	4-11
4.2.4	ATM Physical Layer Interface	4-11
4.2.5	Status Reporting	4-12
4.2.6	Virtual FIFOs	4-12
4.3	Segmentation Control and Data Structures	4-13
4.3.1	Segmentation VCC Table Entry	4-13
4.3.2	Data Buffers	4-18
4.3.3	Segmentation Buffer Descriptors	4-18
4.3.4	Transmit Queues	4-21
4.3.4.1	Entry Format	4-21
4.3.4.2	Transmit Queue Management	4-22
4.3.5	Segmentation Status Queues	4-23
4.3.5.1	Entry Format	4-23
4.3.5.2	Status Queue Management	4-23
4.3.5.3	Status Queue Overflow	4-24
4.3.6	Segmentation Internal SRAM Memory Map	4-25
5.0	Reassembly Coprocessor	5-1
5.1	Overview	5-1
5.2	Reassembly Functional Description	5-2
5.2.1	Reassembly VCCs	5-3
5.2.1.1	Relation to Segmentation VCCs	5-3
5.2.2	Channel Lookup	5-4
5.2.2.1	Programmable Block Size for VCC Table/ VCI Index Table	5-5
5.2.2.2	Setup	5-6
5.2.2.3	Operation	5-6
5.2.2.4	AAL3/4 Lookup	5-7
5.3	CPCS-PDU Processing	5-8
5.3.1	AAL5 Processing	5-9
5.3.1.1	AAL5 COM Processing	5-9
5.3.1.2	AAL5 EOM Processing	5-9
5.3.1.3	AAL5 Error Conditions	5-11
5.3.2	AAL3/4 Processing	5-12
5.3.2.1	AAL3/4 Per-Cell Processing	5-13
5.3.2.2	AAL3/4 Additional BOM/SSM Processing	5-14
5.3.2.3	AAL3/4 Additional COM Processing	5-14
5.3.2.4	AAL3/4 Additional EOM/SSM Processing	5-15
5.3.2.5	AAL3/4 MIB Counters	5-15
5.3.3	AALO Processing	5-15
5.3.3.1	Termination Methods	5-15
5.3.3.2	AALO Error Conditions	5-16
5.3.4	ATM Header Processing	5-16
5.3.5	BOM Synchronization Signal	5-17
5.4	Buffer Management	5-18
5.4.1	Host vs. Local Reassembly	5-18

5.4.2	Scatter Method	5-19
5.4.3	Free Buffer Queues	5-20
5.4.4	Linked Data Buffers	5-22
5.4.5	Initialization of Buffer Structures	5-23
5.4.5.1	Buffer Descriptors	5-23
5.4.5.2	Free Buffer Queue Base Table	5-23
5.4.5.3	Free Buffer Queue Entries	5-23
5.4.5.4	Other Initialization	5-23
5.4.6	Buffer Allocation	5-24
5.4.7	Error Conditions	5-24
5.4.8	Early Packet Discard	5-25
5.4.8.1	General Description	5-25
5.4.8.2	Frame Relay Packet Discard	5-25
5.4.8.3	CLP Packet Discard	5-25
5.4.8.4	LANE-LECID Packet Discard—Echo Suppression on Multicast Data Frames	5-25
5.4.8.5	DMA FIFO Full	5-26
5.4.8.6	AAL3/4 Early Packet Discard Processing	5-27
5.4.8.7	Error Conditions	5-27
5.4.9	Hardware PDU Time-out	5-27
5.4.9.1	Reassembly Time-out Process	5-27
5.4.9.2	Halting Time-out Processing	5-28
5.4.9.3	Timer Reset	5-28
5.4.9.4	Reassembly Time-out Condition	5-28
5.4.9.5	Time-out Period Calculation	5-28
5.4.10	Virtual FIFO Mode	5-28
5.4.10.1	Setup	5-28
5.4.10.2	Operation	5-28
5.4.10.3	Errors	5-28
5.4.11	Firewall Functions	5-29
5.4.11.1	Setup	5-29
5.4.11.2	Operation	5-29
5.4.11.3	Credit Return	5-31
5.5	Global Statistics	5-31
5.6	Status Queue Operation	5-32
5.6.1	Structure	5-32
5.6.1.1	Setup	5-33
5.6.1.2	Operation	5-34
5.6.1.3	Errors	5-34
5.6.1.4	Host Detection of Status Queue Entries	5-35
5.6.2	Status Queue Overflow or Full Condition	5-35
5.7	Reassembly Control and Status Structures	5-36

ATM ServiceSAR Plus with xBR Traffic Management

5.7.1	Channel Lookup Structures	5-36
5.7.2	Reassembly VCC Table	5-38
5.7.2.1	AAL5, AAL0, and AAL3/4 VCC Table Entries	5-39
5.7.2.2	AAL3/4 Head VCC Table Entry	5-45
5.7.3	Reassembly Buffer Descriptor Structure	5-47
5.7.4	Free Buffer Queues	5-48
5.7.5	Reassembly Status Queues	5-50
5.7.6	LECID Table	5-54
5.7.7	Global Time-out Table	5-55
5.7.8	Reassembly Internal SRAM Memory Map	5-56
6.0	Traffic Management	6-1
6.1	Overview	6-1
6.1.1	xBR Cell Scheduler	6-3
6.1.2	ABR Flow Control Manager	6-4
6.2	xBR Cell Scheduler Functional Description	6-5
6.2.1	Scheduling Priority	6-5
6.2.1.1	16 Priority Levels + CBR	6-5
6.2.1.2	VCC Priority Assignment	6-5
6.2.2	Dynamic Schedule Table	6-5
6.2.2.1	Overview	6-5
6.2.2.2	Schedule Table Slots	6-6
6.2.2.3	Schedule Slot Formats Without USE_SCH_CTRL Asserted	6-8
6.2.2.4	Schedule Slot Formats With USE_SCH_CTRL Asserted	6-9
6.2.2.5	Some Scheduling Scenarios	6-10
6.2.3	CBR Traffic	6-11
6.2.3.1	CBR Rate Selection	6-11
6.2.3.2	Available Rates	6-11
6.2.3.3	CBR Cell Delay Variation (CDV)	6-13
6.2.3.4	CBR Channel Management	6-15
6.2.4	VBR Traffic	6-16
6.2.4.1	Mapping RS8234 VBR Service Categories to TM 4.1 VBR Service Categories	6-16
6.2.4.2	Rate-Shaping vs. Policing	6-16
6.2.4.3	Single Leaky Bucket	6-16
6.2.4.4	Dual Leaky Bucket	6-16
6.2.4.5	CLP-Based Buckets	6-17
6.2.4.6	Rate Selection	6-17
6.2.4.7	Real-Time VBR and CDV	6-17
6.2.5	UBR Traffic	6-17
6.2.6	xBR Tunnels (Pipes)	6-18
6.2.7	Guaranteed Frame Rate	6-21
6.2.8	PCR Control for Priority Queues	6-21
6.3	ABR Flow Control Manager	6-22
6.3.1	A Brief Overview of TM 4.1	6-22

6.3.2	Internal ABR Feedback Control Loop	6-22
6.3.2.1	Source Flow Control Feedback	6-23
6.3.2.2	Destination Behavior	6-24
6.3.2.3	Out-of-Rate Cells	6-24
6.3.3	Source and Destination Behaviors	6-24
6.3.4	ABR VCC Parameters	6-24
6.3.5	ABR Templates	6-25
6.3.6	Cell Type Decisions	6-25
6.3.6.1	In-rate Cell Streams	6-25
6.3.6.2	ABR Cell Decisions	6-27
6.3.7	Rate Decisions and Updates	6-29
6.3.7.1	ABR Traffic Shaping	6-29
6.3.7.2	Rate Adjustment Overview	6-29
6.3.7.3	Backward RM Cell Flow Control	6-30
6.3.7.4	Forward RM Cell Transmission Decisions	6-34
6.3.7.5	Optional Rate Adjustment in Turnaround RM Cells Based on Congestion in the Switch	6-34
6.3.7.6	Optional Rate Adjustment Due to Use-It-Or-Lose-It Behavior	6-35
6.3.8	Boundary Conditions and Out-of-Rate RM Cells	6-35
6.3.8.1	Calculated Rate Boundaries	6-35
6.3.8.2	Out-of-Rate Forward RM Cell Generation	6-35
6.3.8.3	Out-of-Rate Backward RM Cells	6-35
6.4	GFC Flow Control Manager	6-36
6.4.1	A Brief Overview of GFC	6-36
6.4.2	The RS8234's Implementation of GFC	6-36
6.4.2.1	Configuring the Link for GFC Operation	6-37
6.5	Traffic Management Control and Status Structures	6-38
6.5.1	Schedule Table	6-38
6.5.2	CBR-Specific Structures	6-38
6.5.2.1	CBR Traffic	6-38
6.5.2.2	Tunnel Traffic	6-38
6.5.2.3	SCH_STATE Fields For CBR	6-39
6.5.3	VBR-Specific Structures	6-40
6.5.3.1	VBR SCH_STATE	6-40
6.5.3.2	VBR1 or VBR2 Schedule State Table	6-40
6.5.3.3	VBR1 or VBR2 Schedule State Table	6-41
6.5.3.4	Bucket Table for VBR2 and VBRC	6-42
6.5.4	GFR-Specific Structures	6-43
6.5.4.1	GFR Schedule State Table	6-43
6.5.4.2	GFR MCR Limit Bucket Table	6-44
6.5.5	ABR-Specific Structures	6-45

6.5.5.1	ABR Schedule State Table	6-45
6.5.6	ABR Instruction Tables	6-48
6.5.7	RS_QUEUE	6-52
6.5.8	Scheduler Internal SRAM Registers	6-53
7.0	OAM Functions	7-1
7.1	OAM Overview	7-1
7.1.1	OAM Functions Supported	7-2
7.1.2	OAM Flows Supported	7-3
7.1.2.1	F4 OAM Flow	7-3
7.1.2.2	F5 OAM Flow	7-3
7.1.2.3	Performance Monitoring (PM)	7-4
7.1.3	OAM Cell Format	7-5
7.1.4	Local vs. Host Processing of OAM	7-7
7.2	Segmentation of OAM Cells	7-7
7.2.1	Key OAM-Related Fields for OAM Segmentation	7-8
7.2.1.1	Segmentation Buffer Descriptors	7-8
7.2.1.2	Low Latency Transmission	7-8
7.2.1.3	Segmentation Status Queue	7-8
7.2.1.4	F4 Flow	7-8
7.2.2	Error Condition During OAM Segmentation	7-8
7.3	Reassembly of OAM Cells	7-9
7.3.1	Key OAM-Related Fields for OAM Reassembly	7-9
7.3.1.1	Reassembly VCC State Table	7-9
7.3.1.2	Reassembly Status Queue	7-9
7.3.1.3	F4 Flow	7-9
7.3.2	OAM Reassembly Operation	7-10
7.3.3	Error Conditions During OAM Reassembly	7-10
7.4	PM Processing	7-11
7.4.1	Initializing PM Operation	7-12
7.4.2	Setting Up Channels for PM Operation	7-13
7.4.3	PM Operation	7-13
7.4.3.1	Generation of Forward Monitoring PM Cells	7-13
7.4.3.2	Reassembly of Forward Monitoring PM Cells	7-14
7.4.3.3	Reassembly of Backward Reporting PM Cells	7-14
7.4.3.4	Turnaround and Segmentation of Backward Reporting PM Cells	7-14
7.4.3.5	Turnaround of Backward Reporting PM Cells ONLY	7-14
7.4.4	Error Conditions During PM Processing	7-14
7.4.5	PASS_OAM Function	7-14
7.5	OAM Control and Status Structures	7-15
7.5.1	SEG_PM Structure	7-16
7.5.2	RSM_PM Table	7-17

8.0	DMA Coprocessor	8-1
8.1	Overview	8-1
8.2	DMA Read	8-1
8.3	DMA Write	8-1
8.4	Misaligned Transfers	8-2
8.5	Control Word Transfers	8-4
9.0	Local Memory Interface	9-1
9.1	Overview	9-1
9.2	Memory Bank Characteristics	9-3
9.3	Memory Size Analysis	9-6
10.0	Local Processor Interface	10-1
10.1	Overview	10-1
10.2	Interface Pin Descriptions	10-3
10.3	Bus Cycle Descriptions	10-4
10.3.1	Single Read Cycle, Zero Wait State Example	10-5
10.3.2	Single Read Cycle, Wait States Inserted By Memory Arbitration	10-7
10.3.3	Double Read Burst With Processor Wait States	10-8
10.3.4	Single Write With One-Wait-State Memory	10-9
10.3.5	Quad Write Burst, No Wait States	10-10
10.4	Processor Interface Signals	10-11
10.5	Local Processor Operating Mode	10-12
10.6	Standalone Operation	10-13
10.7	System Clocking	10-17
10.8	Real-Time Clock Alarm	10-17
10.9	RS8234 Reset	10-18
11.0	PCI Bus Interface	11-1
11.1	Overview	11-1
11.2	Unimplemented PCI Bus Interface Functions	11-3
11.3	PCI Configuration Space	11-3
11.4	PCI Bus Master Logic	11-4
11.5	Burst FIFO Buffers	11-5

11.6	PCI Bus Slave Logic	11-6
11.7	Byte Swapping of Control Structures	11-6
11.8	Power Management	11-7
11.9	Interface Module to Serial EEPROM	11-8
11.9.1	EEPROM Format	11-8
11.9.2	Loading the EEPROM Data at Reset	11-9
11.9.3	Accessing the EEPROM	11-9
11.9.4	Using the Subsystem ID Without an EEPROM	11-10
11.10	PCI Host Address Map	11-10
12.0	ATM Utopia Interface	12-1
12.1	Overview of ATM UTOPIA Interface	12-1
12.2	ATM UTOPIA Interface Logic	12-2
12.3	ATM Physical I/O Pins	12-2
12.4	UTOPIA Mode Cell Handshake Timing	12-4
12.5	UTOPIA Mode Octet Handshake Timing	12-6
12.6	Slave UTOPIA Mode	12-8
12.7	Loopback Mode	12-10
12.8	Receive Cell Synchronization Logic	12-11
12.9	Transmit Cell Synchronization Logic	12-12
13.0	RS8234 Registers	13-1
13.1	Control and Status Registers	13-1
13.2	System Registers	13-4
13.3	Segmentation Registers	13-8
13.4	Scheduler Registers	13-11
13.5	Reassembly Registers	13-17
13.6	Counters and Status Registers	13-22
13.7	PCI Bus Interface Registers	13-34
14.0	SAR Initialization - Example Tables	14-1
14.1	Segmentation Initialization	14-2
14.1.1	Segmentation Control Registers	14-2
14.1.2	Segmentation Internal Memory Control Structures	14-3
14.1.3	Segmentation SAR Shared Memory Control Structures	14-4

14.2 Scheduler Initialization	14-6
14.2.1 Scheduler Control Registers	14-6
14.2.2 Scheduler Internal Memory Control Structures	14-7
14.2.3 Scheduler SAR Shared Memory Control Structures	14-7
14.3 Reassembly Initialization	14-9
14.3.1 Reassembly Control Registers	14-9
14.3.2 Reassembly Internal Memory Control Structures	14-11
14.3.3 Reassembly SAR Shared Memory Control Structures	14-12
14.4 General Initialization	14-16
14.4.1 General Control Registers	14-16
15.0 Electrical and Mechanical Specifications	15-1
15.1 Timing	15-1
15.1.1 PCI Bus Interface Timing	15-1
15.1.2 ATM Physical Interface Timing—UTOPIA and Slave UTOPIA	15-3
15.1.3 System Clock Timing	15-6
15.1.4 RS8234 Memory Interface Timing	15-8
15.1.5 PHY Interface Timing (Standalone Mode)	15-12
15.1.6 Local Processor Interface Timing	15-14
15.2 Absolute Maximum Ratings	15-19
15.3 DC Characteristics	15-20
15.4 Mechanical Specifications	15-21
Appendix A Boundary Scan	A-1
A.1 Instruction Register	A-3
A.2 BYPASS Register	A-4
A.3 Boundary Scan Register	A-4
A.4 Boundary Scan Register Cells	A-4
A.5 Electrical Characteristics	A-8
A.6 Boundary Scan Description Language (BSDL) File	A-10
Appendix B: List of Acronyms	1-29

List of Figures

Figure 1-1.	RS8234 Functional Block Diagram	1-3
Figure 2-1.	Multiple Client Architecture Supports Up To 32 Clients	2-3
Figure 2-2.	RS8234 Queue Architecture	2-4
Figure 2-3.	Interaction of Queues with RS8234 Functional Blocks	2-5
Figure 2-4.	Reassembly Buffer Isolation — Data Buffers Separated from Descriptors	2-6
Figure 2-5.	Segmentation Buffer Isolation — Data Buffers Separated from Descriptors	2-7
Figure 2-6.	Segmentation Status Queues Related to Data Buffers and Descriptors	2-8
Figure 2-7.	Reassembly Status Queues Related to Data Buffers and Descriptors	2-9
Figure 2-8.	Write-Only Control and Status Architecture	2-10
Figure 2-9.	Multi-Level Model for Prioritizing Segmentation Traffic	2-17
Figure 2-10.	Data FIFO Buffers	2-22
Figure 2-11.	RS8234 Logic Diagram (1 of 3)	2-26
Figure 2-11.	RS8234 Logic Diagram (2 of 3)	2-27
Figure 2-11.	RS8234 Logic Diagram (3 of 3)	2-28
Figure 3-1.	Client/Server Model of the RS8234	3-2
Figure 3-2.	Peer-to-Peer vs. Centralized Memory Data Transfers	3-4
Figure 3-3.	Out-of-Band Control Architecture	3-5
Figure 3-4.	Write-Only Control Queue	3-8
Figure 3-5.	Write-Only Status Queue	3-10
Figure 4-1.	Segmentation VCC Table	4-3
Figure 4-2.	Segmentation Buffer Descriptor Chaining	4-5
Figure 4-3.	Before SAR Transmit Queue Entry Processing	4-6
Figure 4-4.	After SAR Transmit Queue Entry Processing	4-7
Figure 4-5.	AAL5 CPCS-PDU Generation	4-8
Figure 4-6.	AAL3/4 CPCS-PDU Generation	4-11
Figure 5-1.	Reassembly—Basic Process Flow	5-2
Figure 5-2.	Reassembly VCC Table	5-3
Figure 5-3.	Direct Index Method for VPI/VCI Channel Lookup	5-4
Figure 5-4.	Programmable Block Size Alternate Direct Index Method	5-5
Figure 5-5.	Direct Index Lookup Method for AAL3/4	5-7
Figure 5-6.	CPCS-PDU Reassembly	5-8
Figure 5-7.	AAL5 EOM Cell Processing — Fields to Status Queue	5-9
Figure 5-8.	AAL5 Processing — CRC and PDU Length Checks	5-10
Figure 5-9.	AAL3/4 CPCS-PDU Reassembly	5-12
Figure 5-10.	AAL0 PTI PDU Termination	5-16
Figure 5-11.	Host and SAR Shared Memory Data Structures for Scatter Method	5-19
Figure 5-12.	Free Buffer Queue Structure	5-21
Figure 5-13.	Data Buffer Structures	5-22
Figure 5-14.	Data Structure Locations for Status Queues	5-32

Figure 5-15.	Status Queue Structure Format	5-33
Figure 5-16.	VPI/VCI Channel Lookup Structure	5-36
Figure 5-17.	Reassembly VCC Table Entry Lookup Mechanism	5-38
Figure 5-18.	LECID Table, Illustrated	5-54
Figure 6-1.	Non-ABR Cell Scheduling	6-3
Figure 6-2.	ABR Flow Control	6-4
Figure 6-3.	Schedule Table with Size = 100	6-6
Figure 6-4.	Schedule Slot Formats With USE_SCH_CTRL Not Asserted	6-8
Figure 6-5.	Schedule Slot Formats With USE_SCH_CTRL Asserted	6-9
Figure 6-6.	One Possible Scheduling Priority Scheme with the RS8234	6-10
Figure 6-7.	Assigning CBR Cell Slots.	6-12
Figure 6-8.	Introduction of CDV at the ATM/PHY Layer Interface	6-13
Figure 6-9.	Schedule Table with Slot Conflicts at Different CBR Rates	6-13
Figure 6-10.	CDV Caused by Schedule Table Size at Certain CBR Rates	6-14
Figure 6-11.	Another Possible Scheduling Priority Scheme with the RS8234	6-20
Figure 6-12.	ABR Service Category Feedback Control	6-22
Figure 6-13.	RS8234 ABR-ER Feedback Loop (Source Behavior)	6-23
Figure 6-14.	RS8234 ABR-ER Feedback Generation (Destination Behavior)	6-24
Figure 6-15.	Steady State ABR-ER Cell Stream	6-26
Figure 6-16.	Cell Type Interleaving on ABR-ER Cell Stream.	6-26
Figure 6-17.	Cell Decision Table for Nrm = 32	6-28
Figure 6-18.	Backward_RM Flow Control, Block Diagram	6-30
Figure 6-19.	Relative Rate (RR) RATE_INDEX Candidate Selection	6-31
Figure 6-20.	Explicit Rate (ER) RATE_INDEX Candidate Selection.	6-32
Figure 6-21.	Dynamic Traffic Shaping from RM Cell Feedback	6-33
Figure 6-22.	ABR Linkage	6-51
Figure 6-23.	Head and Tail Pointers.	6-53
Figure 7-1.	OAM Cell Format	7-5
Figure 7-2.	Functional Blocks for PM Segmentation and Reassembly	7-11
Figure 8-1.	Little Endian Aligned Transfer	8-2
Figure 8-2.	Little Endian Misaligned Transfer.	8-3
Figure 8-3.	Big Endian Aligned Transfer.	8-3
Figure 8-4.	Big Endian Misaligned Transfer	8-4
Figure 9-1.	RS8234 Memory Map	9-2
Figure 9-2.	0.5 MB SRAM Bank Utilizing by_8 Devices	9-4
Figure 9-3.	1 MB SRAM Bank Utilizing by_16 Devices	9-4
Figure 10-1.	RS8234—Local Processor Interface	10-1
Figure 10-2.	Local Processor Single Read Cycle	10-6
Figure 10-3.	Local Processor Single Read Cycle with Arbitration Wait States	10-7
Figure 10-4.	Local Processor Double Read with Wait States Inserted.	10-8
Figure 10-5.	Local Processor Single Write with One Wait State by_16 SRAM.	10-9
Figure 10-6.	Local Processor Quad Write, No Wait States.	10-10
Figure 10-7.	i960CA/CF to the RS8234 Interface	10-11
Figure 10-8.	RS825x and SAR (RS8234) Interface (Standalone Operation)	10-14
Figure 10-9.	RS8234/PHY Functional Timing with Inserted Wait States	10-15
Figure 10-10.	RS8234/RS825x Read/Write Functional Timing	10-16

Figure 12-1.	Receive Timing in UTOPIA Mode with Cell Handshake	12-4
Figure 12-2.	Transmit Timing in UTOPIA Mode with Cell Handshake	12-5
Figure 12-3.	Receive Timing in UTOPIA Mode with Octet Handshake	12-6
Figure 12-4.	Transmit Timing in UTOPIA Mode with Octet Handshake	12-7
Figure 12-5.	Receive Timing in Slave UTOPIA Mode	12-8
Figure 12-6.	Transmit Timing in Slave UTOPIA Mode	12-9
Figure 12-7.	Source Loopback Mode Diagram	12-10
Figure 15-1.	PCI Bus Input Timing Measurement Conditions	15-2
Figure 15-2.	PCI Bus Output Timing Measurement Conditions	15-3
Figure 15-3.	UTOPIA and Slave UTOPIA Input Timing Measurement Conditions	15-5
Figure 15-4.	UTOPIA and Slave UTOPIA Output Timing Measurement Conditions	15-5
Figure 15-5.	Input System Clock Waveform	15-7
Figure 15-6.	Output System Clock Waveform	15-7
Figure 15-7.	RS8234 Memory Read Timing	15-10
Figure 15-8.	RS8234 Memory Write Timing	15-11
Figure 15-9.	Synchronous PHY Interface Input Timing	15-12
Figure 15-10.	Synchronous PHY Interface Output Timing	15-13
Figure 15-11.	Synchronous Local Processor Input Timing	15-15
Figure 15-12.	Synchronous Local Processor Output Timing	15-15
Figure 15-13.	Local Processor Read Timing	15-17
Figure 15-14.	Local Processor Write Timing	15-18
Figure 15-15.	388-Pin Ball Grid Array Package (BGA)	15-22
Figure 15-16.	RS8234 Pinout Configuration	15-23

List of Tables

Table 2-1.	Hardware Signal Definitions	2-29
Table 3-1.	RS8234 Control and Status Queues	3-6
Table 3-2.	Write-Only Control Queue Variables	3-7
Table 3-3.	Write-only Status Queue Variables	3-9
Table 4-1.	Segmentation PDU Delineation	4-4
Table 4-2.	AAL3/4 CPCS-PDU Field Generation	4-9
Table 4-3.	AAL3/4 SAR-PDU Field Generation	4-10
Table 4-4.	Coding of Segment Type (ST) Field	4-10
Table 4-5.	Segmentation VCC Table Entry - AAL3/4-AAL5-AAL0 Format	4-14
Table 4-6.	Segmentation VCC Table Entry - AAL3/4, 5, and 0 Field Descriptions	4-15
Table 4-7.	Segmentation VCC Table Entry — Virtual FIFOs	4-17
Table 4-8.	Segmentation VCC Table Entry — Virtual FIFO Format Field Descriptions	4-17
Table 4-9.	Segmentation Buffer Descriptor Entry Format	4-18
Table 4-10.	MISC_DATA Field Bit Definitions with HEADER_MOD Bit Set	4-18
Table 4-11.	MISC_DATA Field Bit Definitions with RPL_VCI Bit Set	4-19
Table 4-12.	MISC_DATA Field Bit Definitions with AAL_MODE Set to AAL3/4	4-19
Table 4-13.	Segmentation Buffer Descriptor Field Descriptions	4-19
Table 4-14.	Transmit Queue Entry Format	4-21
Table 4-15.	Transmit Queue Entry Field Descriptions	4-21
Table 4-16.	Transmit Queue Base Table Entry	4-22
Table 4-17.	Transmit Queue Base Table Entry Field Descriptions	4-22
Table 4-18.	Segmentation Status Queue Entry	4-23
Table 4-19.	Segmentation Status Queue Entry Field Descriptions	4-23
Table 4-20.	Segmentation Status Queue Base Table Entry	4-24
Table 4-21.	Segmentation Status Queue Base Table Entry Field Descriptions	4-24
Table 4-22.	Segmentation Internal SRAM Memory Map	4-25
Table 5-1.	Programmable Block Size Values for Direct Index Lookup	5-5
Table 5-2.	STAT Output Pin Values for BOM Synchronization	5-17
Table 5-3.	Normal VPI Index Table Entry Format	5-36
Table 5-4.	VPI Index Table Entry Format with EN_PROG_BLK_SX(RSM_CTRL1) Enabled	5-37
Table 5-5.	VPI Index Table Entry Descriptions	5-37
Table 5-6.	Normal VCI Index Table Format	5-37
Table 5-7.	VCI Index Table Format with EN_PROG_BLK_SZ(RSM_CTRL1) Enabled	5-37
Table 5-8.	VCI Index Table Descriptions	5-37
Table 5-9.	Reassembly VCC Table Entry Format - AAL5	5-39
Table 5-10.	Reassembly VCC Table Entry Format - AAL0	5-40
Table 5-11.	Reassembly VCC Table Entry Format - AAL3/4	5-40
Table 5-12.	PDU_FLAGS Field Bit Definitions	5-41
Table 5-13.	ABR_CTRL Field Bit Definitions	5-41

Table 5-14.	AAL_EN Field Bit Definitions	5-41
Table 5-15.	Reassembly VCC Table Descriptions	5-42
Table 5-16.	AAL3/4 Head VCC Table Entry Format	5-45
Table 5-17.	AAL3/4 Head VCC Table Descriptions	5-45
Table 5-18.	Reassembly Buffer Descriptor Structure	5-47
Table 5-19.	Reassembly Buffer Descriptor Structure Definitions	5-47
Table 5-20.	Free Buffer Queue Base Table Entry Format	5-48
Table 5-21.	Free Buffer Queue Base Table Entry Descriptions	5-48
Table 5-22.	Free Buffer Queue Entry Format	5-49
Table 5-23.	Free Buffer Queue Entry Descriptions	5-49
Table 5-24.	Reassembly Status Queue Base Table Entry Format	5-50
Table 5-25.	Reassembly Status Queue Base Table Entry Descriptions	5-50
Table 5-26.	Reassembly Status Queue Entry Format with FWD_PM = 0	5-50
Table 5-27.	Reassembly Status Queue Entry Format with FWD_PM = 1	5-51
Table 5-28.	Reassembly Status Queue Entry Format with FWD_PM = 0 and AAL34 = 1	5-51
Table 5-29.	PDU_CHECKS Field Bits	5-51
Table 5-30.	PDU_CHECKS Field Bits with CNT_ROVR = 1 and AAL34 = 1	5-51
Table 5-31.	STATUS Field Bits	5-51
Table 5-32.	STM Field Bits	5-51
Table 5-33.	Reassembly Status Queue Entry Descriptions	5-52
Table 5-34.	LECID Table Entries	5-54
Table 5-35.	LECID Table Field Definition	5-54
Table 5-36.	Global Time-out Table Entry Format	5-55
Table 5-37.	Global Time-out Table Entry Descriptions	5-55
Table 5-38.	Reassembly Internal SRAM Memory Map	5-56
Table 6-1.	ATM Service Category Parameters and Attributes	6-1
Table 6-2.	Selection of Schedule Table Slot Size by System Requirements	6-7
Table 6-3.	RS8234 VBR to TM 4.1 VBR Mapping	6-16
Table 6-4.	ABR Cell Type Decision Vector (ACDV)	6-27
Table 6-5.	Schedule Slot Entry — CBR/Tunnel Traffic	6-38
Table 6-6.	CBR_TUN_ID Field, Bit Definitions — CBR Slot	6-38
Table 6-7.	CBR_TUN_ID Field, Bit Definitions — Tunnel Slot	6-38
Table 6-8.	Schedule Slot Field Descriptions — CBR Traffic	6-39
Table 6-9.	SCH_STATE for SCH_MODE = CBR	6-39
Table 6-10.	CBR SCH_STATE Field Descriptions	6-40
Table 6-11.	SCH_STATE for SCH_MODE = VBR1 or VBR2	6-40
Table 6-12.	VBR1 and VBR2 SCH_STATE Field Descriptions	6-41
Table 6-13.	SCH_STATE for SCH_MODE = VBR1 or VBR2	6-41
Table 6-14.	VBR1 and VBR2 SCH_STATE Field Descriptions	6-42
Table 6-15.	Bucket Table Entry	6-42
Table 6-16.	Bucket Table Entry Field Descriptions	6-43
Table 6-17.	SCH_STATE for SCH_MODE = GFR	6-43
Table 6-18.	SCH_STATE Field Descriptions for SCH_MODE = GFR	6-43
Table 6-19.	GFR MCR Limit Bucket Table Entry	6-44
Table 6-20.	GFR MCR Bucket Table Entry Field Descriptions	6-44
Table 6-21.	SCH_STATE for SCH_MODE = ABR	6-45

ATM ServiceSAR Plus with xBR Traffic Management

Table 6-22.	ABR SCH_STATE Field Descriptions	6-46
Table 6-23.	ABR Cell Decision Block (ACDB)	6-48
Table 6-24.	ABR Cell Type Actions	6-48
Table 6-25.	ABR Cell Type Decision Vector (ACDV)	6-48
Table 6-26.	ABR Rate Decision Block (ARDB)	6-49
Table 6-27.	ARDB Field Descriptions	6-49
Table 6-28.	ABR Rate Decision Vector (ARDV)	6-50
Table 6-29.	Exponent Table	6-50
Table 6-30.	Exponent Table Field Descriptions	6-50
Table 6-31.	RS_QUEUE Entry -- OAM-PM Reporting Information Ready for Transmission	6-52
Table 6-32.	RS_QUEUE Entry -- Forward ER RM Cell Received	6-52
Table 6-33.	RS_QUEUE Entry -- Backward ER RM Cell Received	6-52
Table 6-34.	RS_QUEUE Field Descriptions	6-53
Table 6-35.	Scheduler Internal SRAM Memory Map	6-54
Table 7-1.	OAM Functions of the ATM Layer	7-2
Table 7-2.	VCI Values for F4 OAM Flows	7-3
Table 7-3.	PTI Values for F5 OAM Flows	7-3
Table 7-4.	OAM Type and Function Type Identifiers	7-6
Table 7-5.	PM-OAM Field Initialization For Any PM_INDEX	7-12
Table 7-6.	SEG_PM Structure	7-16
Table 7-7.	SEG_PM Field Descriptions	7-16
Table 7-8.	RSM_PM Table Entry	7-17
Table 7-9.	RSM_PM Table Field Descriptions	7-17
Table 9-1.	Memory Bank Size	9-3
Table 9-2.	Memory Size in Bytes	9-6
Table 10-1.	Processor Interface Pins	10-3
Table 10-2.	Standalone Interface Pins	10-13
Table 11-1.	EEPROM Fields	11-8
Table 12-1.	ATM Physical Interface Mode Select	12-2
Table 12-2.	UTOPIA Mode Signals	12-3
Table 12-3.	Slave UTOPIA Mode Interface Signals	12-3
Table 13-1.	RS8234 Control and Status Registers	13-2
Table 14-1.	Table of Values for Segmentation Control Register Initialization	14-2
Table 14-2.	Table of Values for Segmentation Internal Memory Initialization	14-3
Table 14-3.	Table of Values for Segmentation SAR Shared Memory Initialization	14-4
Table 14-4.	Table of Values for Scheduler Control Register Initialization	14-6
Table 14-5.	Table of Values for Sch SAR Shared Memory Initialization	14-7
Table 14-6.	Table of Values for Reassembly Control Register Initialization	14-9
Table 14-7.	Table of Values for Reassembly Internal Memory Initialization	14-11
Table 14-8.	Table of Values for Reassembly SAR Shared Memory Initialization	14-12
Table 14-9.	Table of Values for General Control Register Initialization	14-16
Table 15-1.	PCI Bus Interface Timing Parameters	15-1
Table 15-2.	UTOPIA Interface Timing Parameters	15-3
Table 15-3.	Slave UTOPIA Interface Timing Parameters	15-4
Table 15-4.	System Clock Timing	15-6
Table 15-5.	SRAM Organization Loading Dependencies	15-8

Table 15-6.	SAR Shared Memory Output Loading Conditions	15-8
Table 15-7.	RS8234 Memory Interface Timing	15-9
Table 15-8.	PHY Interface Timing (PROCMODE = 1)	15-12
Table 15-9.	Synchronous Processor Interface Timing	15-14
Table 15-10.	Local Processor Memory Interface Timing	15-16
Table 15-11.	Absolute Maximum Ratings	15-19
Table 15-12.	DC Characteristics.	15-20
Table 15-13.	Pin Descriptions	15-24
Table 15-14.	Spare Pins Reserved for Inputs.	15-28
Table A-1.	Boundary Scan Signals	A-1
Table A-2.	Test Circuitry Block Diagram	A-2
Table A-3.	IEEE Std. 1149.1 Instructions	A-3
Table A-4.	Boundary Scan Register Cells 1 of 3	A-5
Table A-5.	Timing Specifications	A-8
Table A-6.	Timing Diagram.	A-9

2.0 Architecture Overview

2.1 Introduction

The RS8234 *ServiceSAR* architecture efficiently handles high bandwidth throughput across the spectrum of three different ATM Adaptation Layers and all ATM service categories. This chapter provides an overview of this architecture.

The first section describes the queue and data buffer system. Then, segmentation and reassembly functions are described from within the context of the queue structures. The last major operational description covers the xBR Traffic Manager. The remaining sections cover Operation And Maintenance and Performance Monitoring (OAM/PM), the various device inputs and outputs, and the logic diagram with pin descriptions.

This architectural overview serves as a solid foundation for understanding the complete functionality of the RS8234.

2.2 High Performance Host Architecture with Buffer Isolation

Once initialized and given a segmentation or reassembly task, the RS8234 operates autonomously. Because the RS8234 is a high performance subsystem, the Host/ServiceSAR architecture and the algorithms for task submission and status reporting have been optimized to minimize the control burden on the host system.

2.2.1 Multiple ATM Clients

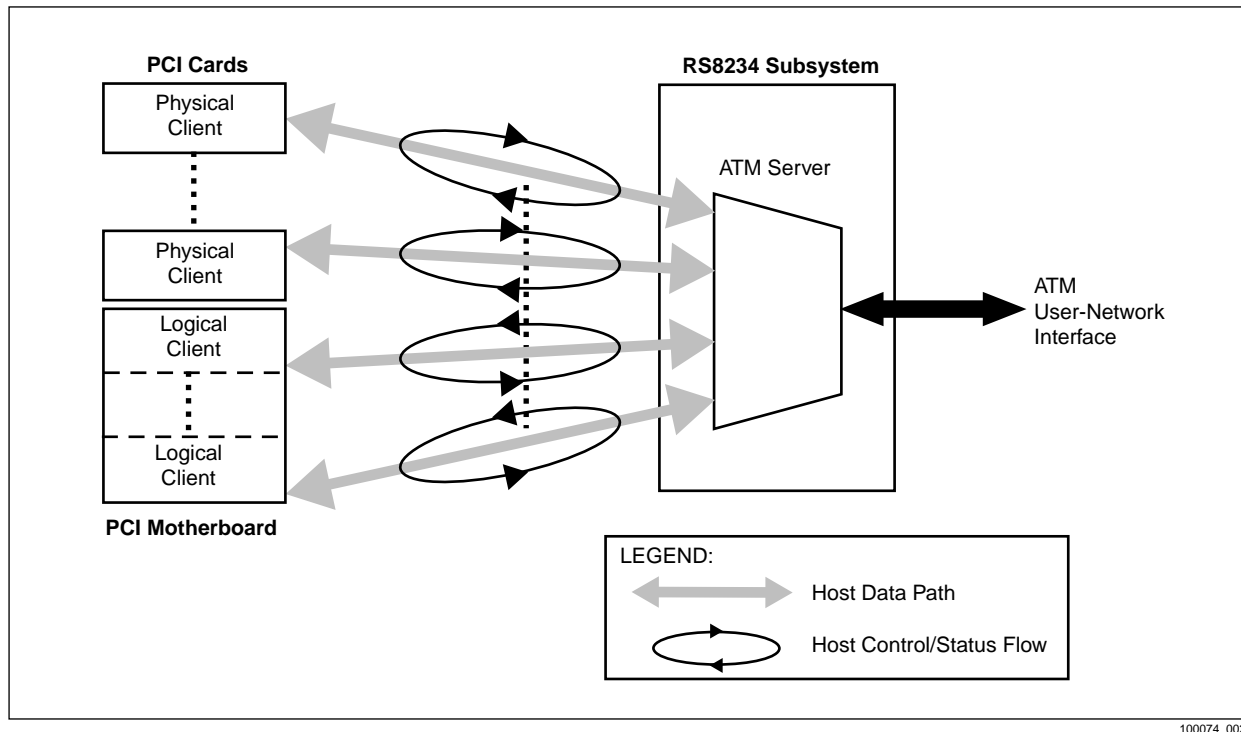
The RS8234, functioning as an ATM UNI, provides a high throughput uplink to a broadband network. Most individual ATM service users (or clients) do not have the bandwidth requirements to equal the throughput capability of the RS8234. As an application example, ATM clients may be Ethernet or Frame Relay ports. Therefore, many service clients are typically aggregated onto one ATM UNI. These clients may have very different needs and/or isolation requirements.

In order to fully capitalize on the high bandwidth of this service while meeting per-VCC Quality of Service (QoS) needs, the RS8234 functions as an ATM server for up to 32 clients. In this way, the bandwidth requirements of the service user (the client) can be balanced with the service throughput capability of the RS8234 and the rest of the specific system.

The RS8234 provides multiple independent control and status communication paths. Each communication path, or flow, consists of a control queue and a status queue for both segmentation and reassembly. The host assigns each of these independent flows to system clients, or peers. These can be either physical or logical entities. As throughput requirements escalate, the host system can add processing power in the form of additional peers. This degree of freedom creates a scalable host environment. Multiple VCCs may be assigned to each client.

Each client interfaces to the RS8234 independently. Due to its server architecture, the RS8234 supplies the synchronization between asynchronous tasks requiring ATM services. [Figure 2-1](#) illustrates this client/server model. It shows that clients may be multiple applications in a shared memory, or separate physical entities. All communicate directly with the RS8234.

Figure 2-1. Multiple Client Architecture Supports Up To 32 Clients



2.2.2 RS8234 Queue Structure

The flow of the reassembly, scheduling, and segmentation processes in the RS8234 is monitored, coordinated, and controlled through the use of a full array of circular queues, serviced by the RS8234 or by the host.

The following queues exist in local memory:

- Transmit queues (up to 32 queues)
- Reassembly/segmentation queue
- Free buffer queues (up to 32 queues). Includes the Global OAM free buffer queue.

[Figure 2-2](#) illustrates the location of each queue.

Transmit queues are used by the host to submit chains of segmentation buffer descriptors to the RS8234 for segmentation. The segmentation coprocessor then processes these transmit queue entries as part of the segmentation function.

The reassembly/segmentation queue is written to by the reassembly coprocessor and read by the segmentation coprocessor. The queue includes data on OAM-PM cells to be transmitted, as well as data on ABR-class received Backward_RM and Forward_RM cells. The RSM/SEG queue is a private queue for the SAR which the host cannot read or write.

The host furnishes data buffers to the reassembly processor by posting their location and availability to the free buffer queues, one of which may be designated as the Global OAM free buffer queue. The reassembly coprocessor uses the free buffer queue entries to allocate data buffers for received ATM cells during reassembly.

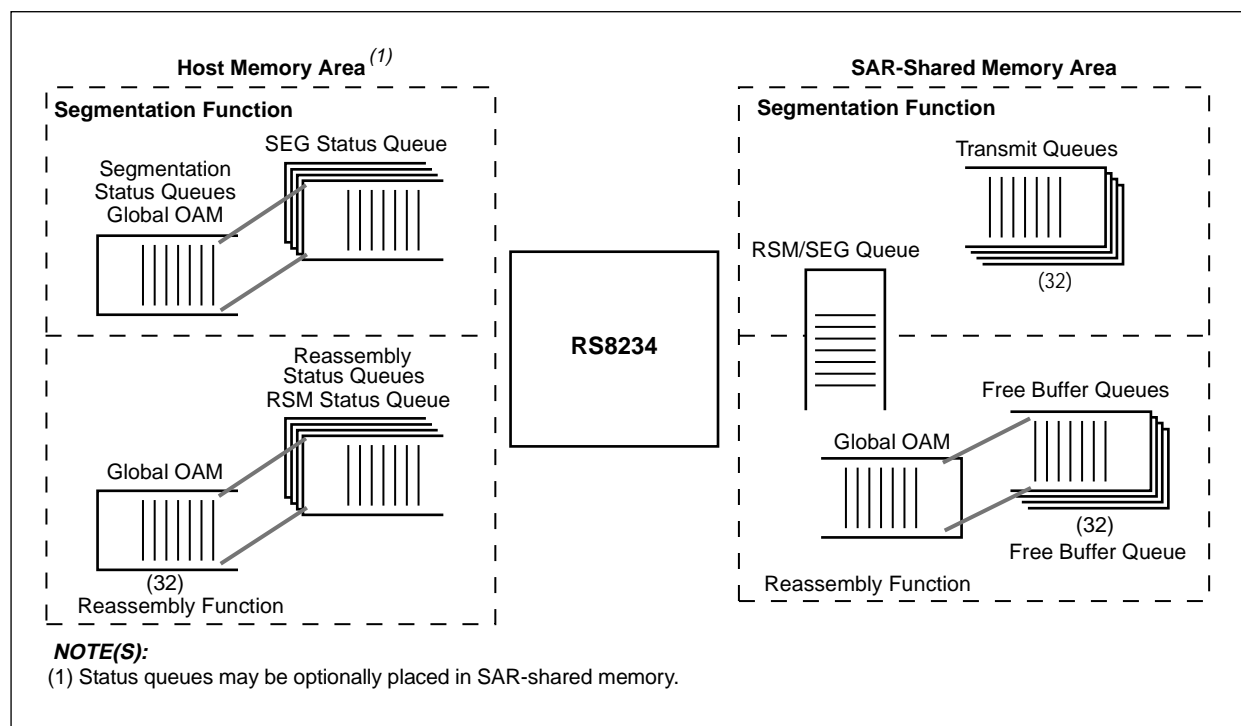
The following queues exist in host (or optionally, SAR shared) memory:

- segmentation status queues (up to 32 queues)—includes the Global OAM segmentation status queue
- reassembly status queues (up to 32 queues)—includes the Global OAM reassembly status queue

The RS8234 reports segmentation status to the segmentation status queues. One of these may be designated as the Global OAM segmentation status queue. The host further processes these segmentation status queue entries.

The RS8234 reports reassembly status to the reassembly status queues. One of these may be designated as the Global OAM reassembly status queue. The host further processes these reassembly status queue entries.

Figure 2-2. RS8234 Queue Architecture

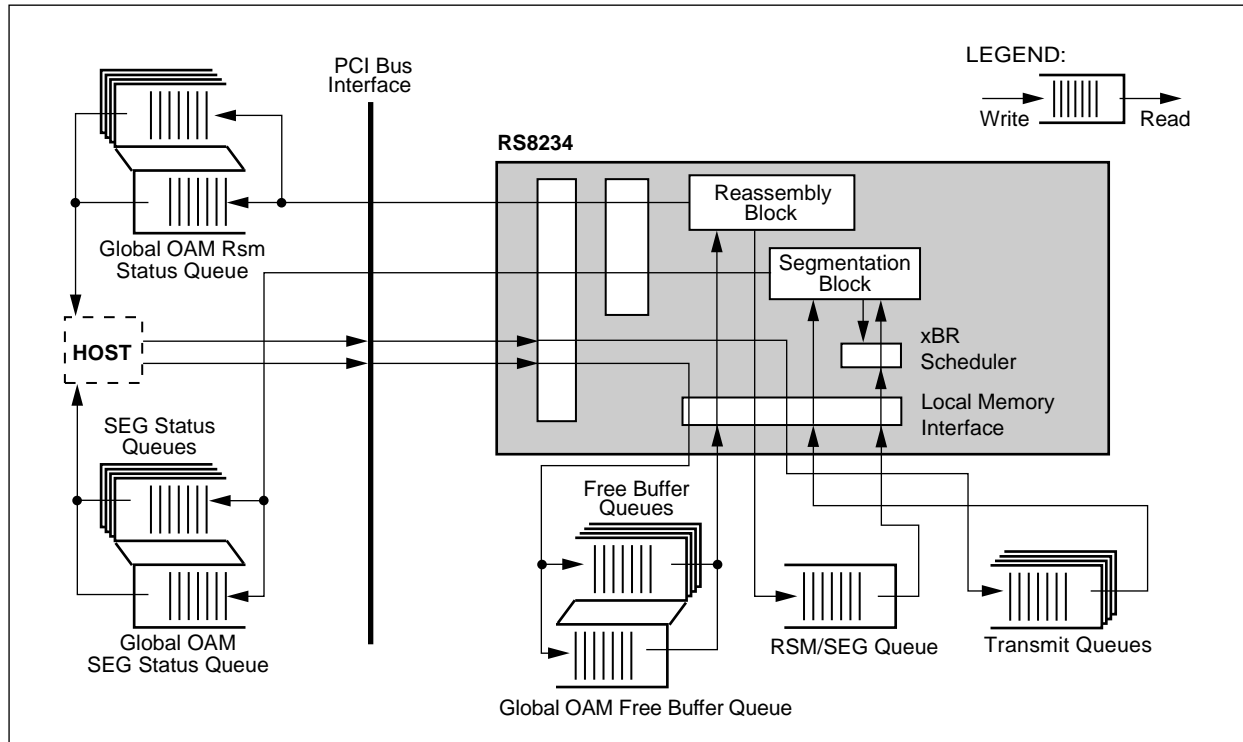


100074_003

The queues described above provide the control information that fuels the reassembly and segmentation functions.

These queues, placed on asynchronous communication paths, directly associate the host with the RS8234 during processing, and associate each of the major functional blocks of the RS8234 with each other. Figure 2-3 illustrates these interactions. The arrows indicate which system entity writes to each queue, and which entity reads each queue.

Figure 2-3. Interaction of Queues with RS8234 Functional Blocks



100074_004

2.2.3 Buffer Isolation Using Descriptor-Based Buffer Chaining

The RS8234 employs buffer structures for reassembly and segmentation. The buffer structures maximize the flexibility of the system architecture by isolating the data buffers from the mechanisms that handle buffer allocation and linking. This allows the data buffers to contain only payload data, no control fields or other user fields. The user can store the data buffers separately from the buffer descriptors and implement a minimum data copy architecture.

Figure 2-4 illustrates how reassembly data buffers and buffer descriptors are chained together and manipulated by the *ServiceSAR*.

1. The host creates a link between a reassembly data buffer and a buffer descriptor by writing in the buffer descriptor entry, a pointer to the data buffer.
2. The host then formats a free buffer queue entry, which includes pointers to both the data buffer and buffer descriptor, and writes this message to the free buffer queue.
3. The reassembly coprocessor reads this free buffer queue entry and uses the pointer to the reassembly data buffer as the memory location to write the PDU being reassembled.
4. As reassembly of that PDU progresses, the reassembly coprocessor chains together the necessary number of additional buffer descriptors (and thus their associated reassembly data buffers) to complete reassembly of the PDU.

Figure 2-4. Reassembly Buffer Isolation — Data Buffers Separated from Descriptors

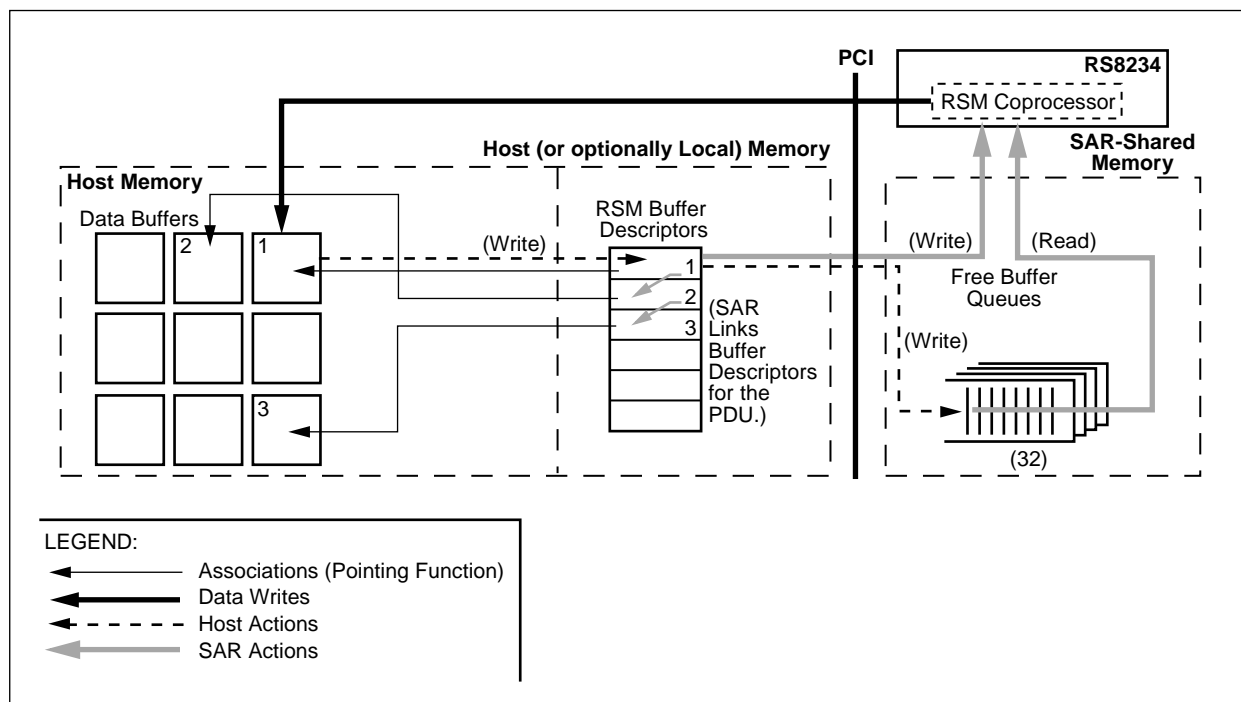
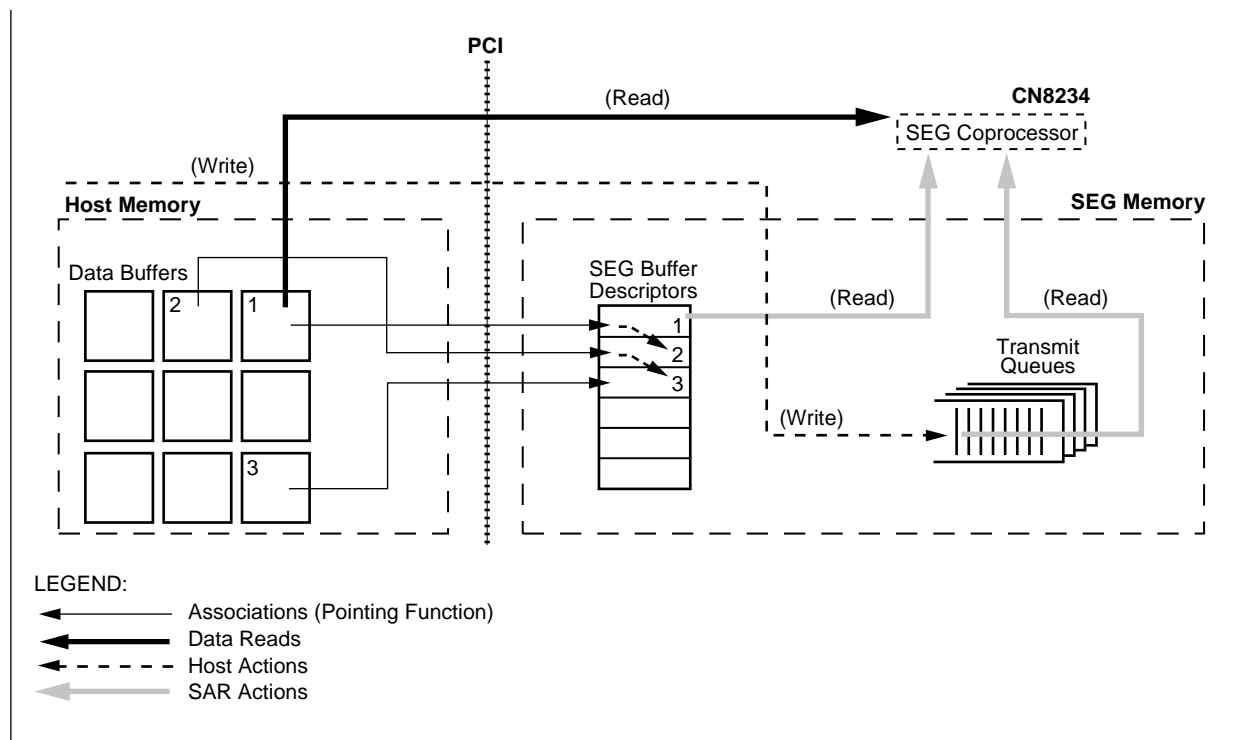


Figure 2-5 illustrates how the host submits linked data buffers (i.e., PDUs) to the transmit queue for segmentation. The process is as follows:

1. The host links the buffer descriptors (in SAR shared memory) for the associated data buffers (in host memory) containing the PDU to be segmented.
2. The host then formats a two word transmit queue entry and writes this entry to the transmit queue. The location of the first buffer descriptor in the linked chain is contained in the transmit queue entry.
3. The segmentation coprocessor automatically senses the presence of new transmit queue entries, reads them, and schedules the new data for transmission. The transmit queue acts as a FIFO for segmentation task pointers.

Figure 2-5. Segmentation Buffer Isolation — Data Buffers Separated from Descriptors

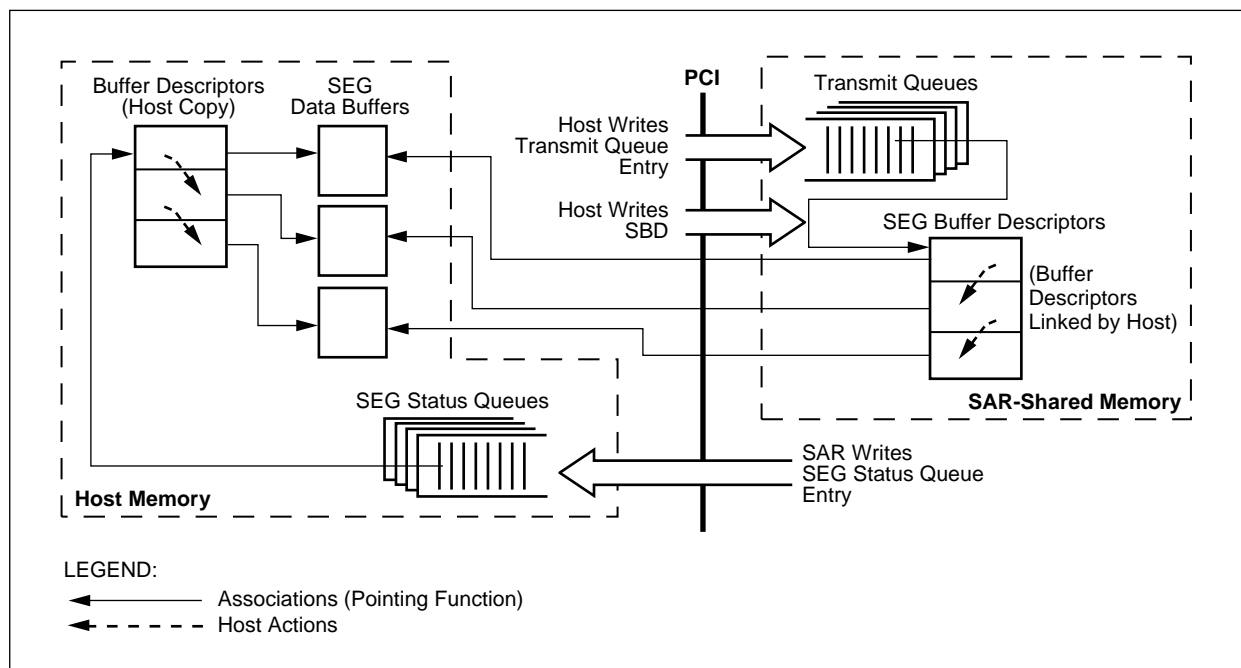


2.2.4 Status Queue Relation to Buffers and Descriptors

The status queues employed by the RS8234 are written by the SAR and read by the host. These status queue entries provide the data needed by the host in order to further process the segmentation and reassembly data flow in progress or just completed. Each status queue entry thus includes data (such as error flags and status bits), which the host uses in its succeeding process steps. The SAR also includes, in each status queue entry, a pointer to the first buffer descriptor of the segmented or reassembled data buffer(s) which comprise a single PDU. This accomplishes the other principal function of a status queue entry: to establish the association from the SAR to the host of the successful or unsuccessful segmentation or reassembly of a PDU.

Figure 2-6 illustrates the association between the segmentation status queues and segmentation data buffers and descriptors. The figure shows one three-buffer PDU on a single virtual channel, represented by a single entry in one of the transmit queues and a single entry in one of the SEG status queues. The host links the buffer descriptors pointing to the data buffers containing the PDU, makes a host-only copy of the buffer descriptor, then writes the transmit queue entry. The SAR performs segmentation processing on the PDU and writes a SEG status queue entry informing the host of the status of the segmentation process.

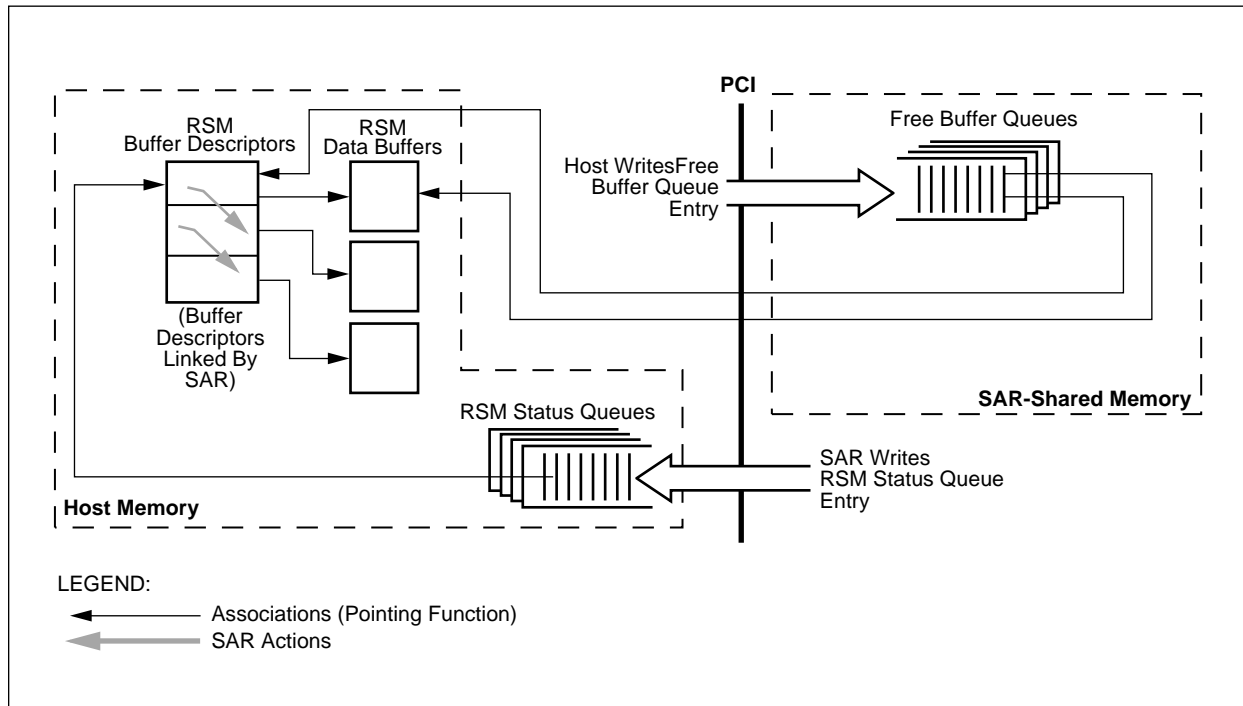
Figure 2-6. Segmentation Status Queues Related to Data Buffers and Descriptors



8235_002

Figure 2-7 illustrates the association between the reassembly status queues and reassembly data buffers and descriptors. The host submits free buffers to the SAR by writing pointers to them in the free buffer queue entries. The SAR links the buffer descriptors pointing to the three data buffers containing the reassembled PDU, and writes the RSM status queue entry containing the pointer to the first buffer descriptor for that PDU. The host further processes the PDU utilizing that data.

Figure 2-7. Reassembly Status Queues Related to Data Buffers and Descriptors

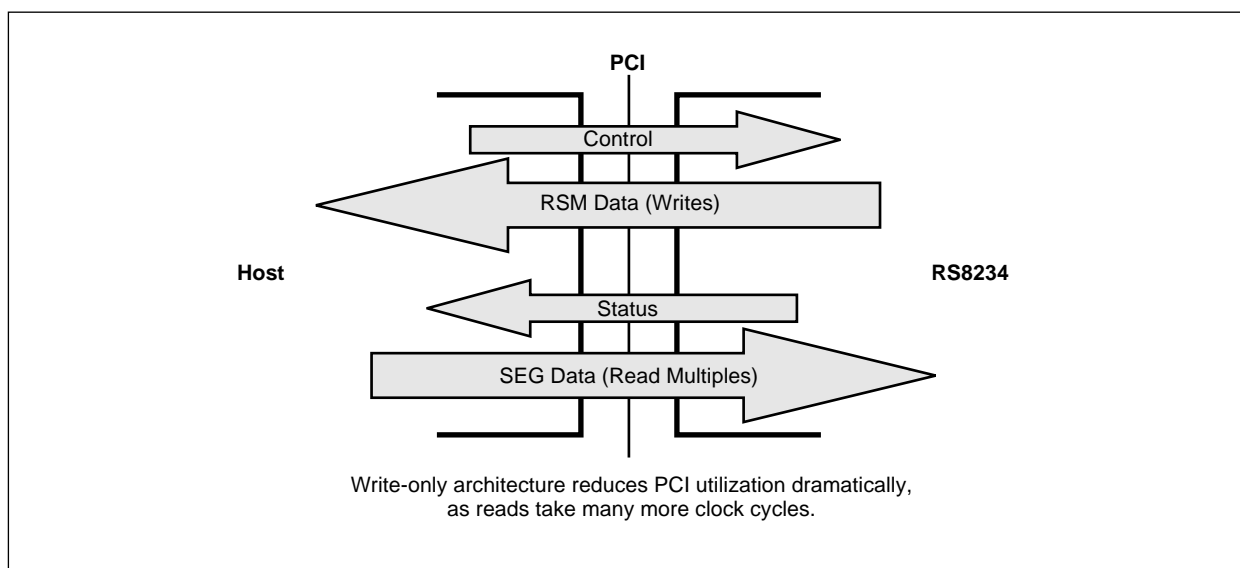


8235_003

2.2.5 Write-Only Control/Status

Figure 2-8 illustrates the RS8234's write-only PCI control architecture. The host manages the RS8234 ATM terminal using write-only control and status queues. This architecture minimizes PCI bus utilization by eliminating reads from control activities. PCI writes utilize the bus much more efficiently than PCI reads. During a PCI write, the Bus Master can post the write data to an internal FIFO in the slave, terminate the transaction, and immediately release the bus. On the other hand, during PCI reads, the Bus Master retrieves the data from the slave while holding the bus. Since the data retrieval takes some time, reads increase the PCI bus utilization time for each transaction. The RS8234 eliminates read operations except for burst reads to gather segmentation data.

Figure 2-8. Write-Only Control and Status Architecture



100074_009

2.2.6 Scatter/Gather DMA

The RS8234's Direct Memory Access (DMA) coprocessor works in close conjunction with the segmentation and reassembly coprocessors to gain access to the PCI bus, transfer the requested data, and notify the segmentation or reassembly coprocessor that the transfer is complete. The DMA coprocessor transfers all data using the read and write burst buffers in the PCI Bus Interface.

In general, two types of transactions are processed: 12- or 14-word burst accesses for data, or 1- to 4-word accesses for control and status messages.

For outgoing messages, the DMA coprocessor moves data from host memory to the segmentation coprocessor using a gather DMA method. For incoming messages, the DMA coprocessor moves data from the reassembly coprocessor to host memory using a scatter DMA method.

The DMA coprocessor is capable of handling transfers from the PCI bus with data that is not aligned on word boundaries. It will also selectively transfer data to comply with either a big endian or little endian host data structure.

2.2.7 Interrupts

The RS8234 informs the host of segmentation and reassembly activity by means of maskable interrupts sent to the host processor, triggered by writes to the segmentation and reassembly status queues.

The user can configure the SAR to generate these status queue entries and interrupts at PDU boundaries (called Message Mode), or at data buffer boundaries (called Streaming Mode).

The RS8234 can also be configured with a status queue interrupt delay, which can be enabled in order to reduce the interrupt processing load on the host. This has value when the SAR resides in an environment in which the host is not dedicated to datacom processing.

2.3 Automated Segmentation Engine

The RS8234 can segment up to 64 K VCCs simultaneously. The segmentation coprocessor block independently segments each channel and multiplexes the VCCs onto the line with cell level interleaving. For each cell transmission opportunity, the xBR Traffic Manager tells the segmentation coprocessor which VCC to send.

The RS8234 provides full support of the AAL5 and AAL3/4 protocols and a transparent or NULL adaptation layer, AAL0.

Each segmentation channel is specified as a single entry in the segmentation VCC Table located in SAR shared memory. A VCC specifies a single VC or VP in the ATM network. These VCC Table entries define the negotiated or contracted characteristics of the traffic for that channel, and are initialized by the host either during system initialization or on-the-fly during operation. An initialized segmentation VCC Table entry effectively establishes a connection on which data can be segmented.

NOTE: ABR VCCs occupy two table entries.

The host submits data for segmentation by first linking buffer descriptors that point to the buffers containing the PDU to be transmitted, and then submitting that chained message to the SAR by writing to one of 32 independent circular transmit queues.

The segmentation coprocessor then operates autonomously, formatting the cells on each channel according to the host-defined segmentation VCC Table entries for each channel. The formatting functions include the following:

- The segmentation coprocessor formats the ATM cell header for each cell, based on the settings in the segmentation VCC Table entry for that VCC.
- The segmentation coprocessor also generates the CPCS-PDU header and trailer fields in the first and last cell of the segmented PDU.
- For AAL5 traffic, the SEG coprocessor also generates the PDU-specific fields in the trailer of the CPCS-PDU, and places these in the last cell (the End of Message [EOM] cell) for the PDU.
- Each AAL3/4 cell carries 44 octets of payload and four octets (in five fields) of header and trailer information. The SAR performs the formatting steps necessary to create AAL3/4 cells.
- AAL0 is intended for client-proprietary use. For AAL0, the segmentation coprocessor segments the Service Data Unit (SDU) to ATM cell payload boundaries and generates ATM cell headers, but generates no other overhead fields.
- The user has per-channel, per-PDU control of Raw Cell Mode segmentation, wherein the segmentation coprocessor reads the entire 52-octet ATM cell from the segmentation buffer and does not generate the ATM headers for the cells.
- The formatted cells are passed through the transmit FIFO to the PHY interface for transmission.

The system designer can set the depth of the transmit FIFO from one to nine cells deep in order to optimize the balance between Cell Delay Variation (CDV) (which increases with longer transmit FIFO depth) and PCI latency protection (which decreases with shorter transmit FIFO depth).

The RS8234 provides a method to segment traffic from a fixed PCI address (or Virtual FIFO). This is intended for circuit-based CBR traffic such as voice channel(s).

The RS8234 reports segmentation status to the host on one of a set of 32 independent parallel segmentation status queues. The RS8234 writes segmentation status queue entries on either PDU boundaries or buffer boundaries, selectable on a per-VCC basis. PDU boundary status reporting is called Message Mode, while buffer status reporting is called Streaming Mode.

2.4 Automated Reassembly Engine

The reassembly coprocessor processes cells received from the ATM Physical Interface block. The coprocessor extracts the AAL SDU payload from the received cell stream and reassembles this information into buffers supplied by the host system.

Each active reassembly channel is specified as a single entry in the reassembly VCC Table located in SAR shared memory. One RSM VCC Table entry defines the negotiated or contracted characteristics of the reassembly traffic for a particular channel. Each table entry is initialized by the host during system initialization, or on-the-fly. The SAR uses the RSM VCC Table to store temporary information to assist the reassembly process. An initialized Reassembly VCC Table entry effectively establishes a connection on which the RS8234 can reassemble data.

Using a dynamic Channel Directory lookup method, the RS8234 reassembles up to 64 K VCCs simultaneously at a maximum rate of 200 Mbps on simplex connections and 155 Mbps on full duplex connections. The Channel Directory mechanism allows flexible preallocation of resources and provides deterministic channel identification over the full UNI or NNI Virtual Path Identifier/Virtual Channel Identifier (VPI/VCI) address space. The total number of VCCs supported is limited by the memory allocated to the RSM VCC Table and the Channel Directory.

The reassembly coprocessor extracts the AAL SDU payload from the received cell stream and reassembles this information into system buffers allocated per-VCC. The RS8234 supports AAL5, AAL3/4 and AAL0 reassembly, as well as 52-octet Raw Cell mode.

For AAL5, the reassembly coprocessor extracts and checks all PDU protocol overhead.

For AAL3/4, the reassembly coprocessor performs all error detection and checking procedures incorporated in AAL3/4, and reassembles SDUs based on Message ID (MID).

The RS8234 provides two methods of terminating an AAL0 PDU:

1. Payload Type Identifier (PTI) termination, wherein the PTI bit in the cell header is monitored for the End of Message (EOM) cell indication
2. Cell Count termination, wherein the RS8234 terminates the PDU when a user-defined number of cells have been received on that channel

The AAL0 PDU termination method is selectable on a per-VCC basis.

The user can, on a per-channel basis, establish Raw Cell mode reassembly. In this mode the Header Error Check (HEC) octet is deleted to align the 53-octet cell to 32-bit boundaries, and the RSM coprocessor reassembles the entire 52-octet ATM cell into the reassembly buffer.

The RS8234 provides the user with generous per-channel control of the reassembly process, including the following:

- Assignment of priorities for reassembly buffer return processing
- Cell filtering on inactive channels
- Mechanisms to establish per-VCC firewalling by allocating buffer credits on a per-channel basis. (This limits the possibility of one VCC consuming all of the memory resources.)
- Per-VCC activation and control of a background hardware time-out function where the user selects one of eight programmable time-out periods. (The background function then automatically detects partially reassembled PDUs and reports this status to the host so that these buffers can be recovered and re-allocated.)
- Per-VCC monitoring of the length of the reassembled PDU, with status reporting if the length exceeds a set maximum length for that channel

The RS8234 implements an early packet discard feature to enable discarding of complete or partial CPCS-PDUs based upon service discard attributes or error conditions. The early packet discard function halts reassembly of the CPCS-PDU marked for discard until the next Beginning of Message (BOM) cell and/or the error condition has cleared. The SAR writes a status queue entry with the appropriate status flags set, which indicate the reason for the discard. This function can be enabled for the following conditions:

- Frame Relay discard based on the frame's DE setting and the channel exceeding a user-defined priority threshold
- CLP packet discard based on the received cell's CLP bit setting and exceeding channel priority threshold
- LANE-LECID packet discard on ELAN channels, which implements echo suppression on multicast data frames
- Early packet discard on AAL5 channels when the reassembled PDU length exceeds the user-defined maximum PDU length for that VCC
- Early packet discard on channels encountering a free buffer queue empty (underflow) condition (meaning there are no available buffers in the free buffer queue that channel is assigned to)
- Early packet discard on PDUs when a DMA Incoming FIFO Full condition occurs
- Early packet discard on channels encountering a reassembly status queue full (overflow) condition
- Early packet discard on AAL3/4 channels with these MIB errors: ST_ERR (Segment Type error), SN_ERR (Sequence Number error), and LI_ERR (SAR-PDU Length error)

The system designer can set the reassembly status reporting for any channel to either Message Mode or Streaming Mode. In Message Mode, a status entry is written only when the last buffer in a message completes reassembly. In Streaming Mode, a status entry is written for each buffer as it completes reassembly.

2.5 Advanced xBR Traffic Management

The RS8234 implements ATM's inherent robust traffic management capabilities for CBR, VBR, ABR, UBR, GFR and GFC. The RS8234 manages each VCC independently and dynamically.

- The user assigns each connection a service class, a priority level, and a rate if applicable. Then, the on-chip traffic controller, the xBR Traffic Manager, optimizes usage of the line bandwidth according to the VCC's traffic parameters and control information stored in SAR shared memory. The xBR Traffic Manager guarantees the compliance of each VCC to its service contract with the ATM network at the UNI ingress point. It schedules all data traffic by acting as a master to the segmentation coprocessor.

One of the functional components of the xBR Traffic Manager is the xBR Scheduler. The xBR Traffic Manager assigns segmentation traffic from active VCCs to schedule 'slots', which the segmentation coprocessor then complies to by segmenting VCC traffic in the sequence/schedule dictated by the xBR Scheduler.

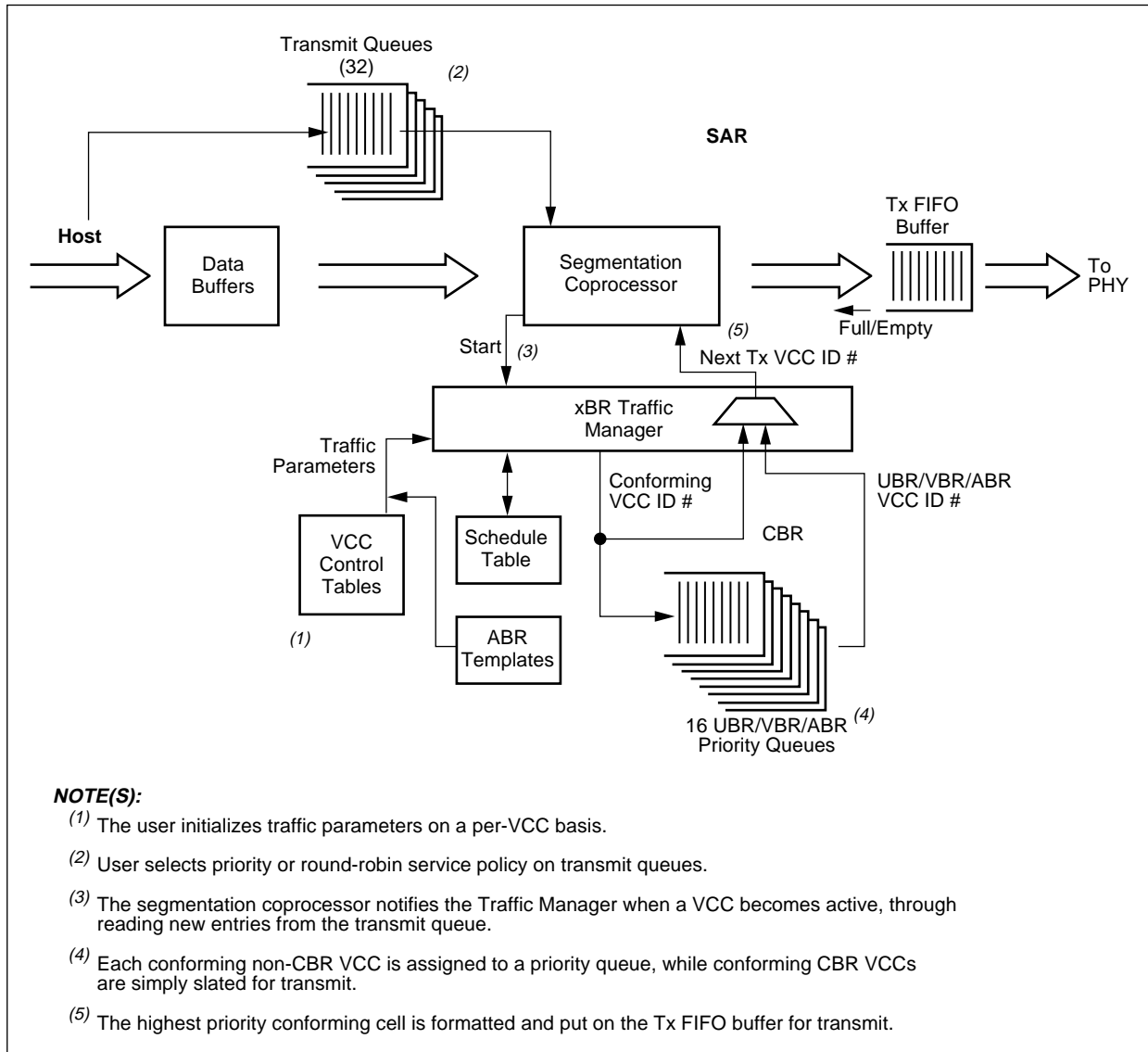
- In addition to reserved CBR bandwidth, the RS8234 provides 16 segmentation priorities. The user configures these priorities for the remaining service categories, including the TM 4.1 defined ABR class.

The RS8234's xBR Traffic Manager implements multiple functional levels of traffic prioritizing. This is illustrated in [Figure 2-9](#).

- The host submits data to be sent by writing entries to the transmit queues for segmentation. The SAR processes these transmit queues either in round robin order (transmit queue zero through thirty-one, looped back to zero), or in priority order (with transmit queue thirty-one having highest priority). This scheme gives the user or system designer some control of the delay between the host submitting traffic and the SAR starting to process that traffic. For instance, the user could assign CBR traffic to the highest priority transmit queue in order to minimize any delay in processing and scheduling that traffic.
- The RS8234 then submits this traffic demand to the xBR Traffic Manager for scheduling. Traffic is scheduled based on the traffic class plus certain parameters from the segmentation VCC Table entries (primarily the GCRA *I* and *L* parameters). And if the service category is ABR, the SAR also uses certain parameters from the ABR templates to help determine that traffic's placement on the Schedule Table.
- The conforming traffic to be transmitted is further groomed in internal priority queues. Each virtual channel is prioritized according to its assigned scheduling priority. CBR channels are given pre-assigned segmentation bandwidth, and channels for the remaining service categories scheduled according to their priority number (priority zero being the lowest priority and priority fifteen being highest). [Figure 2-9](#) shows this prioritization as a global set of queues, but it is actually maintained on a per-transmit opportunity basis. In this way, high priority traffic will be transmitted up to its GCRA limits but will not block lower priority traffic when idle.

The RS8234 asynchronously multiplexes traffic based on the above schemes, as the Tx FIFO empties.

Figure 2-9. Multi-Level Model for Prioritizing Segmentation Traffic



100074_010

2.5.1 CBR Traffic

The CBR service category requires guaranteed transmission rates, as well as constrained CDV. The RS8234 facilitates these needs when generating CBR traffic by pre-assigning specific schedule slots to CBR VCCs. For each CBR assigned cell slot, the RS8234 generates a cell for that specific VCC unless data is not available. The RS8234 also minimizes CDV by basing all traffic management on a local reference clock.

The RS8234 provides a mechanism to exactly match the scheduled rate of a CBR channel to the rate of its data source. The host may occasionally instruct the xBR Scheduler to skip one transmit opportunity on a channel in order to accomplish this rate-matching.

The RS8234 manages CBR tunnels in the same manner as a CBR VCC. However, instead of one VCC, several UBR, VBR or ABR VCCs can be scheduled within this CBR tunnel, in round-robin order.

Unused CBR and Tunnel time slots are automatically made available to VCCs of other service categories by the xBR Scheduler.

2.5.2 VBR Traffic

The RS8234 takes advantage of the asynchronous nature of ATM by reserving bandwidth for VBR channels at average cell transmission rates without pre-assigning “hardcoded” schedule slots, as with CBR traffic. This dynamic scheduling allows VBR traffic to be statistically multiplexed onto the ATM line, resulting in better utilization of the shared bandwidth resources. The xBR Scheduler supports multiple priority levels for VBR traffic. Through the combination of VBR parameters and priorities, it is possible to support real-time VBR services.

The outgoing cell stream for each VBR VCC is scheduled according to the GCRA algorithm. The GCRA *I* and *L* parameters control the per-VCC Peak Cell Rate (PCR) and Cell Delay Variation Tolerance (CDVT) of the outgoing cell stream on any channel. This guarantees compliance to policing algorithms applied at the network ingress point. The user can control the granularity of rate by dictating the number of schedule slots in the schedule table.

Channels can be rate-shaped as VCs or VPs according to one of three VBR definitions. VBR1 controls PCR and CDVT. VBR2 controls PCR and CDVT, as well as Sustained Cell Rate (SCR) and Burst Tolerance (BT). VBR3 (also called VBRC) controls PCR and CDVT on all cells, but controls SCR on only CLP = 0 (i.e., high priority) cells.

2.5.3 ABR Traffic

The RS8234 implements the ATM Forum ABR flow control algorithms. The RS8234 acts as both a fully compliant ABR Source and Destination, as defined in the TM 4.1 specification. The ABR service category effectively allows low cell loss transmission through the ATM network by regulating transmission based upon network feedback. The ABR algorithms regulate the rate of each VCC independently.

The RS8234 employs an internal feedback control loop mechanism to enable the TM 4.1 ATM Source specification. The SAR utilizes the dynamic rate adjustment capability of the xBR Scheduler as the ATM Source's variable traffic rate shaper. The RS8234 injects an in-rate stream of Forward RM cells for each ABR VCC. When these cells return to the RS8234's receive port as Backward RM cells after a round trip through the network, the RS8234 processes these cells and uses the data returned as feedback to dynamically adjust the rates on each ABR channel.

The RS8234 also responds to an incoming ABR cell stream as an ABR Destination. The reassembly coprocessor processes received Forward RM cells. It "turns around" this incoming information to the segmentation coprocessor, which formats Backward RM cells containing this information, and inserts these Turnaround RM cells into the transmit cell stream.

The exact performance of the rate-shaper is governed by one or more ABR Templates in SAR shared memory. Each VCC is assigned to one of these templates. The templates control such behaviors as the size of the additive rate increase factors or multiplicative rate decrease steps. Each VCC's rate varies across the template independently.

2.5.4 UBR Traffic

The UBR service category is intended for non-real-time applications that do not require tightly constrained delay and delay variation, such as traditional computer communications applications like file transfer and e-mail.

Those VCCs which have not been assigned to one of the other service categories covered previously are scheduled as UBR traffic. All UBR channels within a priority are scheduled on a round-robin basis. To limit the bandwidth that a UBR priority consumes, the system designer should use a CBR tunnel in that priority level.

2.5.5 GFR Traffic

Guaranteed Frame Rate is a new service category defined by the ATM Forum to provide a MCR QoS guarantee for AAL5 CPCS-PDUs not exceeding a specified frame length. A GFR service connection is treated as UBR with a guaranteed MCR.

The RS8234 implements GFR by scheduling/shaping the connections using both the VBR1 scheduling procedure (for the MCR rate value) and a UBR priority queue, thereby providing fair sharing for all GFR connections to excess bandwidth.

2.5.6 xBR Cell Scheduler

The xBR Scheduler slates traffic for transmission according to a Dynamic Schedule Table maintained in SAR shared memory. The table contains a user-programmable number of schedule slots. The duration of a single slot is a user-programmable number of system clock cycles. The xBR Scheduler sequences through this table in a circular fashion to schedule traffic. By configuring the number of slots in the table and the duration of each slot, the system designer chooses a range of available rates. A specific rate for any channel is determined by how many slots in the table to which that channel is assigned. Schedule slots not reserved for CBR during table setup are used for the rest of the service categories.

The xBR Scheduler implements Mindspeed's proprietary per-VCC rate shaping algorithms. The predecessor to the RS8234, the Bt8230 SAR, proved the core algorithms. The RS8234 extends their use to other service classes. The RS8234 xBR Scheduler shapes all traffic classes, including CBR, single leaky bucket VBR, dual leaky bucket VBR, ABR, and UBR. The host configures the Dynamic Schedule Table during system initialization, defining the table size in number of schedule slots and the length of each schedule slot in clock cycles. After setup, the RS8234 dynamically manages the entire table.

Some key features of the xBR Scheduler are:

1. Per-VCC rate control guarantees conformance to GCRA UPC/policing
2. Dynamic reallocation of link bandwidth to active channels
3. Dynamic, fair sharing of bandwidth on oversubscribed lines
4. Multiple scheduling priorities
5. Fine grained rate control
6. Rate based on a user supplied reference clock

Dynamic management provides on-the-fly reallocation of link bandwidth without host intervention. The RS8234 fairly distributes the link bandwidth to channels based upon their QoS parameters and assigned transmission priority. As covered previously, the RS8234 supports 16 priorities in addition to preallocated CBR time slots.

The xBR Scheduler facilitates advanced network traffic management topologies. The RS8234 rate shapes VCs or VPs. Additionally, CBR tunneling allows UBR, VBR and/or ABR traffic management schemes to operate under a preallocated CBR limit.

2.5.7 ABR Flow Control Manager

The ABR Flow Control Manager operates in conjunction with the xBR Scheduler to control the rate of ABR channels. The RS8234 implements the TM 4.1 specification in a template-controlled hardware state machine. Mindspeed provides an initial set of templates which reside in SAR shared memory. The information within these templates define conformant ABR behavioral responses to network and connection states. The RS8234 generates ABR Source traffic, including internally generated RM cells, according to the template instructions. The reassembly coprocessor and the Flow Control Manager collaboratively act as a fully compliant ABR Destination Terminal.

These templates provide three significant benefits to the user:

1. Since they control the Flow Control Manager state machine, they can be optimized for specific applications.
2. The programmability of the templates insulates the hardware from changes in the TM 4.1 specification.
3. Mindspeed provides the initial templates, which may be customized by the user later, which shortens development time.

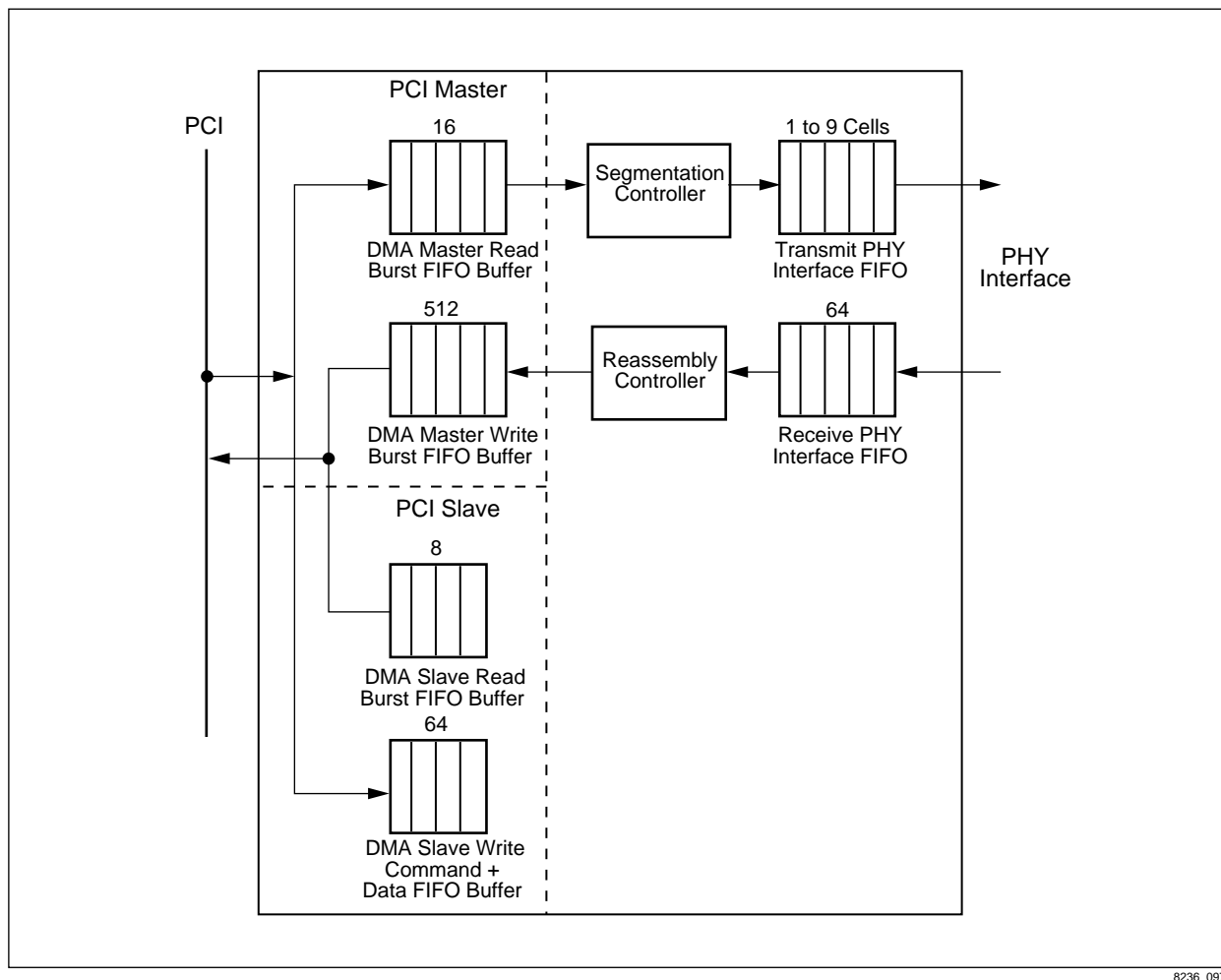
2.6 Burst FIFO Buffers

To conserve local memory bandwidth, the RS8234 does not use its local SRAM as a buffer for incoming or outgoing data. Instead, the RS8234 uses six dedicated internal FIFO data buffers as follows:

- Two DMA master burst FIFO buffers (read = 16 words; write = 512 words).
- Two DMA slave burst FIFO buffers, (read = 8 words and write = 64 words).
- One FIFO buffer between the PHY interface and the segmentation coprocessor (1 to 9 cells). See [Section 4.2.4](#).
- One FIFO buffer between the PHY interface and the reassembly coprocessor (64 words).

Figure 2-10 illustrates the data FIFO buffer.

Figure 2-10. Data FIFO Buffers



2.7 Implementation of OAM-PM Protocols

The RS8234 provides internal support for the detection and generation of OAM traffic, including PM OAM.

The RS8234 supports the F4 and F5 OAM flows according to I.610. It monitors up to 128 channels and generates in-rate PM-OAM cells.

The RS8234 includes a Local Processor Interface, providing the capability of SAR shared memory segmentation and reassembly. The user can thus route OAM traffic, including PM traffic, to and from this optional local processor, thereby off-loading ATM network management from the host. To facilitate this, the RS8234 provides the option of user-defined global status queues for both segmentation and reassembly and a global buffer queue for reassembly, to which the user can assign SAR shared memory addresses. The RS8234 will then process OAM traffic via the local processor, thereby isolating the host from these management functions and focusing host processing power on ATM user data traffic.

2.8 Standards-Based I/O

PCI Bus I/O

The PCI bus interface implements the full set of address, data, and control signals required to drive the PCI bus as a master, and contains the logic required to support arbitration for the PCI bus. This interface is PCI Version 2.1 compliant.

The PCI bus interface also includes an interface module that allows the PCI core to connect to a serial EEPROM. This 128-byte EEPROM is used to store specific PCI configuration information, loaded into the PCI Configuration space at reset. This allows several user-configurable features:

- User control of the size of the memory block for PCI addresses
- Enabling byte swapping of control words across the PCI bus
- Loading of Subsystem ID and Subsystem Vendor ID

ATM PHY I/O

The RS8234's ATM physical interface communicates with and controls the ATM link interface device, which carries out all the transmission convergence and physical media dependent functions defined by the ATM protocol. Two modes of operation are provided: standard UTOPIA and slave UTOPIA. Standard UTOPIA mode conforms to the UTOPIA Level 1 standard for an ATM Layer device. Slave UTOPIA mode reverses the control direction for use in place of a PHY on switch fabrics.

SAR Shared Memory I/O

To simplify system implementations, the RS8234 integrates a complete memory controller designed for direct interface to common Static RAMs (SRAMs). The RS8234's memory controller operates at 33 MHz and can access up to 8 MB of SRAM memory. The memory controller also arbitrates access to the internal control and status registers by the host and local processors. The memory banks can be configured to a variable number of sizes. All of this affords a wide degree of flexibility in SAR shared memory architecture.

Local Processor I/O

The Local Processor Interface in the RS8234 allows an optional external CPU to be directly connected to the device to serve as a local controlling intelligence that can handle initialization, connection management, overall data management, error recovery, and OAM functions. The use of a local processor for these functions allows ATM message data to flow to and from host system memory in a substantially larger bandwidth, as the local processor is handling the "out of band" functions described above.

The processor interface is "loosely coupled," meaning that the processor connects to the RS8234 through bidirectional transceivers and buffers for the address and data buses. This allows the processor fast access to RS8234 memory and registers, but insulates the RS8234 from processor instruction and data cache fills. It also allows the processor to control multiple RS8234s or physical devices if desired.

Boundary Scan I/O and Loopbacks

The RS8234 includes five pins for Joint Test Action Group (JTAG) Boundary Scan, for board-level testing. The RS8234 incorporates an internal loopback from the segmentation coprocessor to the reassembly coprocessor, to facilitate system diagnostics.

2.9 Electrical/Mechanical

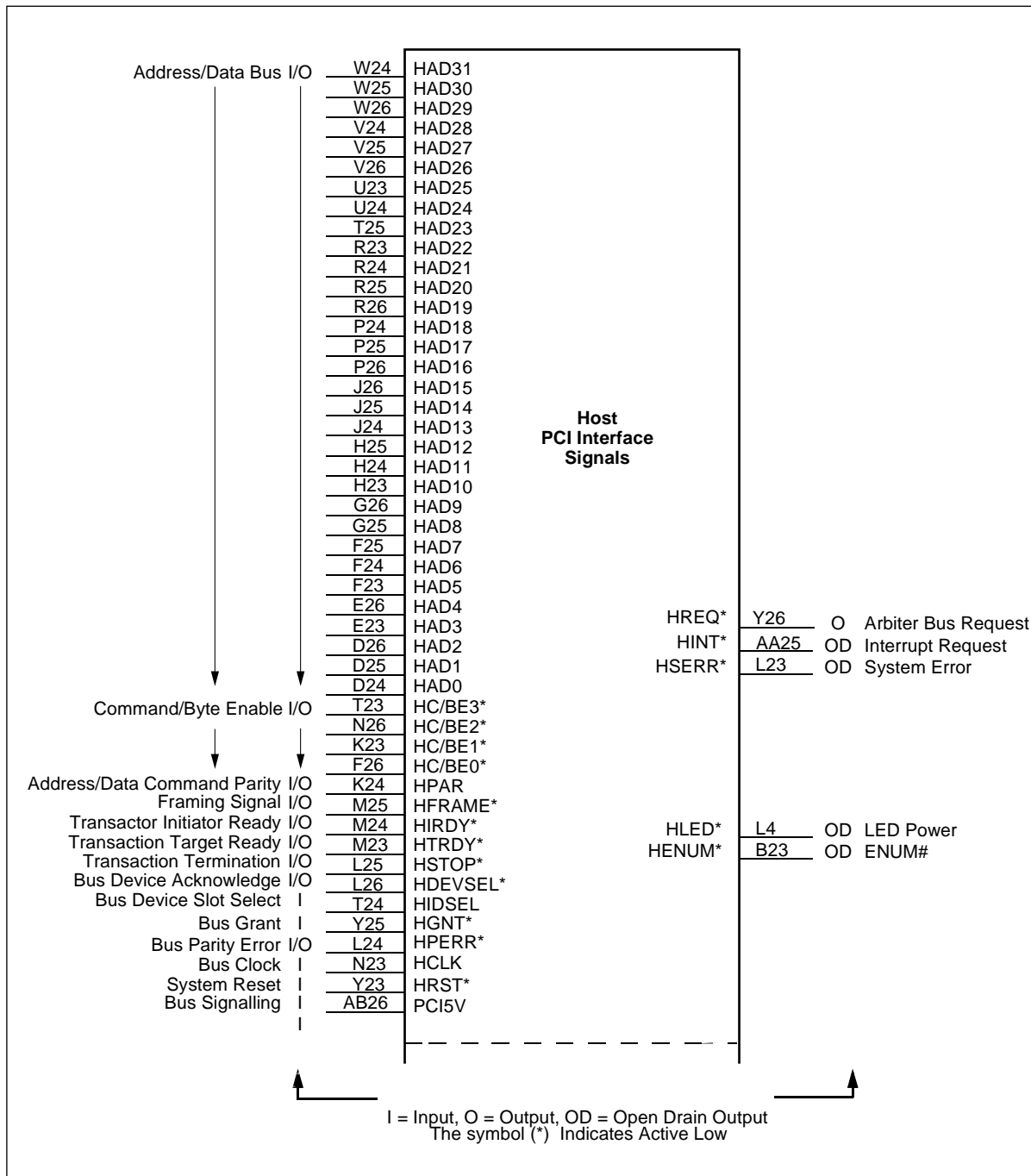
The RS8234 is a CMOS device packaged in a 388 Ball Gate Array (BGA) format. It operates from a 3.3V power supply and within the standard industrial temperature range.

The device inputs are tolerant of 5 V signal levels, so external 5 V devices may be used. Any I/O (except PCI) that requires a pullup must be tied through a resistor to 3.3 V and not 5 V.

2.10 Logic Diagram and Pin Descriptions

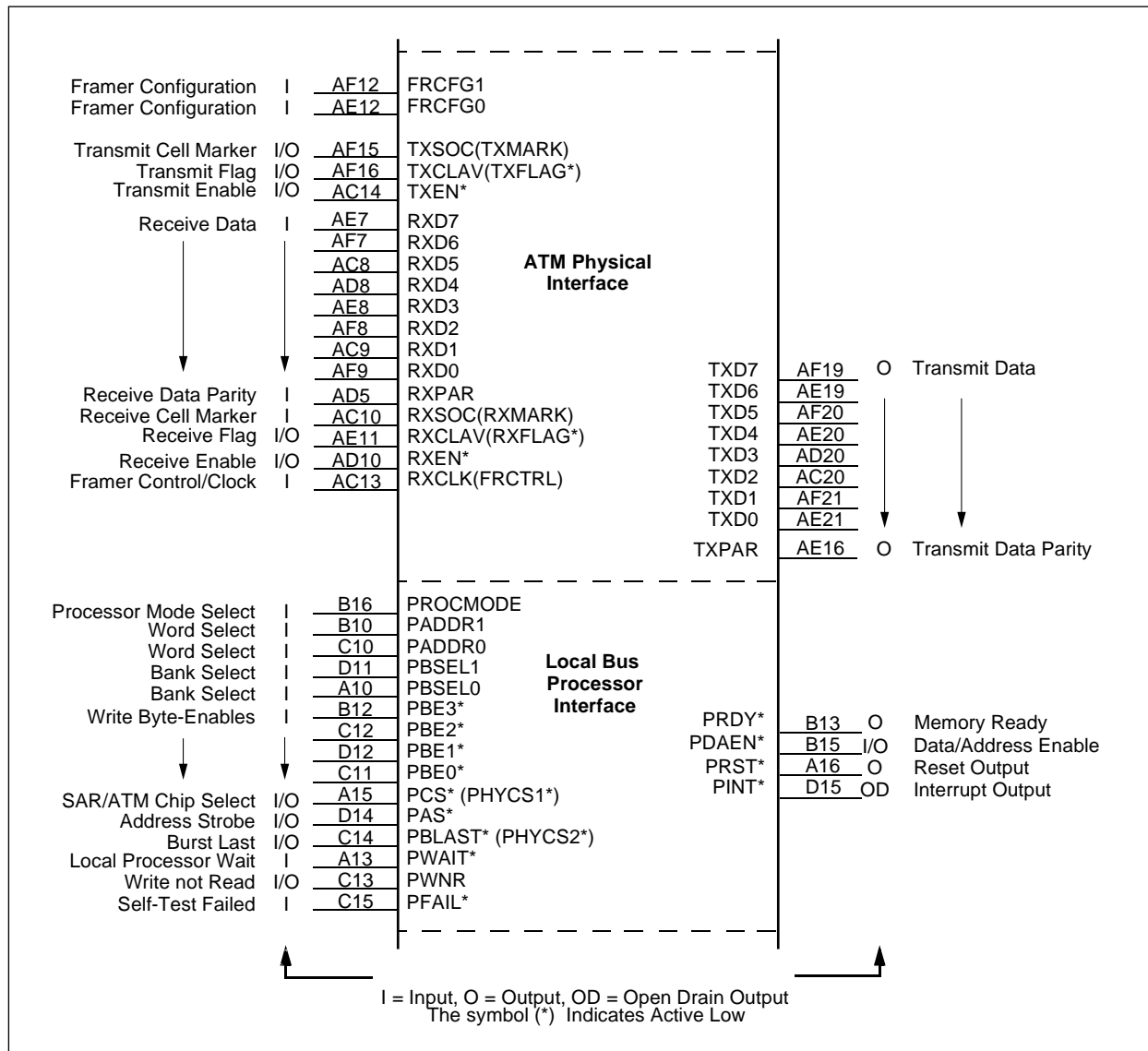
A functionally partitioned logic diagram of the RS8234 is shown in Figure 2-11. Pin descriptions, names and input/output assignments are detailed in [Table 2-1](#).

Figure 2-11. RS8234 Logic Diagram (1 of 3)



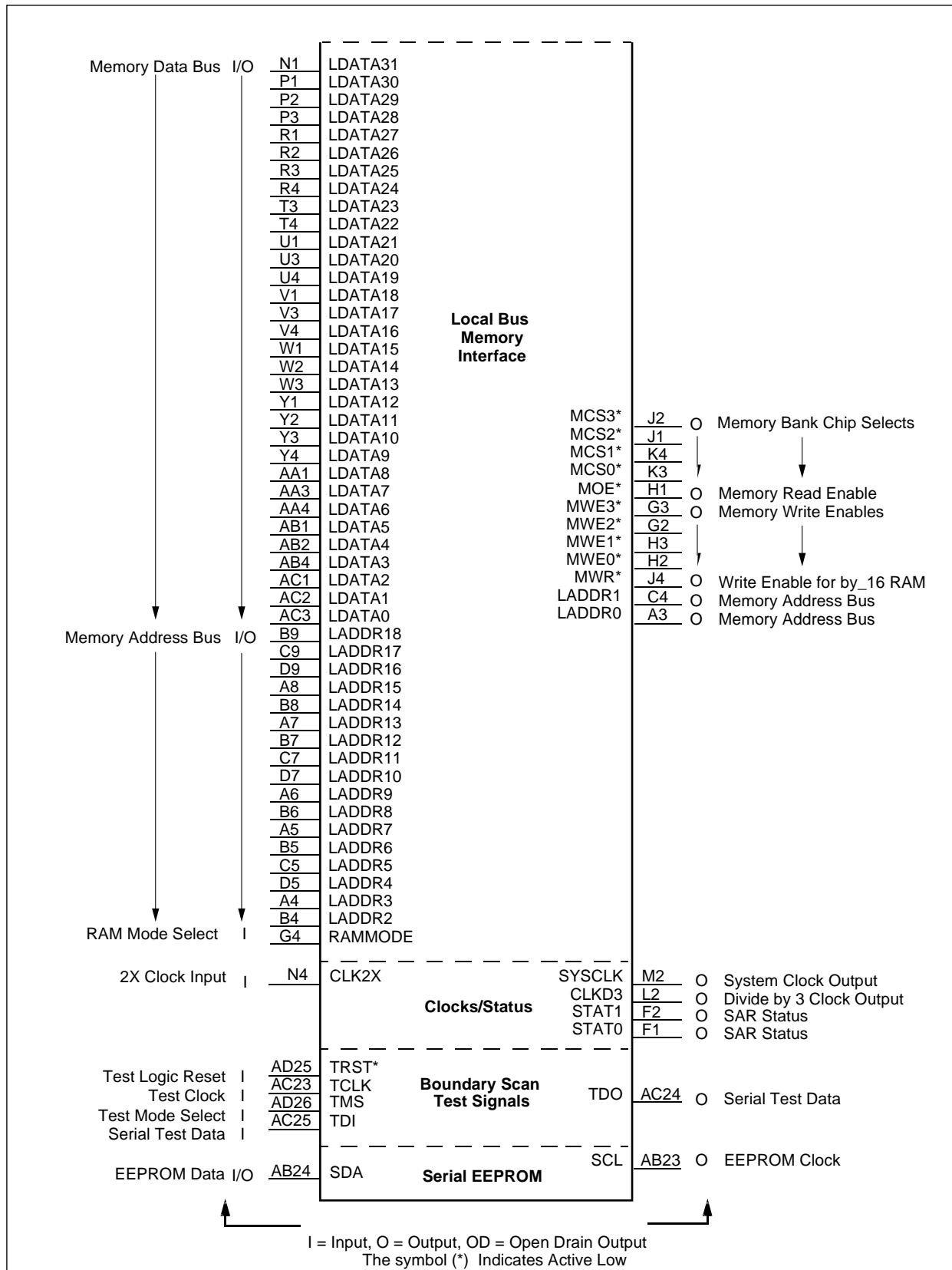
100074

RS8234 Logic Diagram (2 of 3)



100074_106

RS8234 Logic Diagram (3 of 3)



100074_107

Table 2-1. Hardware Signal Definitions (1 of 6)

	Pin Label	Signal Name	I/O	Definition
Host PCI Interface Signals	HAD[31:0]	Multiplexed Address/Data Bus	I/O	Used by the PCI host or RS8234 to transfer addresses or data over the PCI bus.
	HC/BE[3:0]*	Command/Byte Enable	I/O	Outputs a command (during PCI address phases) or byte enables (during data phases) for each bus transaction.
	HPAR	Address/Data Command Parity	I/O	Supplies the even parity computed over the HAD[31:0] and HC/BE[3:0]* lines during valid data phases. It is sampled (when the RS8234 is acting as a target) or driven (when the RS8234 acts as an initiator) one clock edge after the respective data phase.
	HFRAME*	Framing Signal	I/O	A high-to-low HFRAME* transition indicates that a new transaction is beginning (with an address phase). A low-to-high transition indicates that the next valid data phase will end the current transaction.
	HIRDY*	Transaction Initiator Ready	I/O	Used by the transaction initiator or bus master (either the RS8234 or the PCI host) to indicate ready for data transfer. A valid data phase ends when both HIRDY* and HTRDY* are sampled asserted on the same clock edge.
	HTRDY*	Transaction Target Ready	I/O	Used by the transaction target or bus slave (either the RS8234 or the PCI bus memory) to indicate that it is ready for a data transfer. A valid data phase ends when both HIRDY* and HTRDY* are sampled asserted on the same clock edge.
	HSTOP*	Transaction Termination	I/O	Driven by the current target or slave (either the RS8234 or the PCI bus memory) to abort, disconnect, or retry the current transfer. The HSTOP* line is used by the PCI master in conjunction with the HTRDY* and HDEVSEL* lines to determine the type of transaction termination.
	HDEVSEL*	Bus Device Acknowledge	I/O	Driven by a target to indicate to the initiator that the address placed on the HAD[31:0] lines (together with the command on the HC/BE[3:0]* lines) has been decoded and accepted as a valid reference to the target's address space. Once asserted, it is held by the RS8234 (when acting as a slave) until HFRAME* is deasserted; otherwise, it indicates (in conjunction with HSTOP* and HTRDY*) a target abort.
	HIDSEL	Bus Device Slot Select	I	Signals the RS8234 that it is being selected for a configuration space access.
	HREQ*	Arbiter Bus Request	O	Asserted by the RS8234 to request control of the PCI bus.
	HGNT*	Bus Grant	I	Asserted to indicate to the RS8234 that it has been granted control of the PCI bus, and may begin driving the address/data and control lines after the current transaction has ended (indicated by HFRAME*, HIRDY*, and HTRDY*; all deasserted simultaneously).

Table 2-1. Hardware Signal Definitions (2 of 6)

	Pin Label	Signal Name	I/O	Definition
Host PCI Interface Signals	HINT*	Interrupt Request	OD	Signals an interrupt request to the PCI host, and is tied to the INTA_ line on the PCI bus.
	HPERR*	Bus Parity Error	I/O	Driven asserted by the RS8234 (as a bus slave) or by a target addressed by the RS8234 when it acts as a bus master to indicate a parity error on the HAD[31:0] and HC/BE[3:0]* lines. It is asserted when the RS8234 is a bus slave or sampled when the RS8234 is a bus master on the second clock edge after a valid data phase. The RS8234 drives the HPERR* line only when acting as a slave.
	HSERR*	System Error	OD	Indicates a system error or a parity error on the HAD[31:0] and HC/BE[3:0]* lines during an address phase. This pin is handled in the same way as HPERR*, and is only driven by the RS8234 when it acts as a bus slave.
	HCLK	Bus Clock	I	Supplies the PCI bus clock signal.
	HRST*	System Reset	I	Performs a hardware reset of the RS8234 and associated peripherals when asserted. Must be asserted for 16 cycles of HCLK.
	PCI5V	Bus Signalling	I	Must be tied high. This pad has an internal pullup resistor to VDD.
	HLED*	LED Power	OD	12 mA open drain. Logic low turns on LED. Compact PCI Hot Swap Signal.
	HENUM*	ENUM#	OD	8 mA open drain. Compact PCI Hot Swap Signal.

Table 2-1. Hardware Signal Definitions (3 of 6)

	Pin Label	Signal Name	I/O	Definition
ATM Physical Interface	FRCFG[1:0]	Framer Configuration	I	Configuration pins FRCFG[1,0] determine what framer interface the RS8234 supports. 00 = Reserved, do not use 01 = UTOPIA interface 10 = Slave UTOPIA interface 11 = Reserved, do not use
	TXD[7:0]	Transmit Data	O	Carries outgoing data bytes to the framer chip in all framer modes (8 mA drive).
	TXPAR	Transmit Data Parity	O	Outputs the 8-bit odd parity computed over the TxD[7:0] lines in all framer modes (8 mA drive).
	TXSOC	Transmit Cell Marker	I/O	In both UTOPIA and slave UTOPIA modes, the TxSOC line is asserted by the RS8234 when the starting byte of a 53-byte cell is being output. (aka TxMark)
	TXCLAV*	Transmit Flag	I/O	In UTOPIA mode, TxClav indicates that the transmit buffer in the downstream link interface chip is full and no more data can be accepted. In slave UTOPIA mode, this pin indicates to the link interface chip that the RS8234 transmit buffer is empty. (Has pulldown resistor to pull inactive in master mode when not driven externally.) (aka TxFlag*) (8 mA drive)
	TXEN*	Transmit Enable	I/O	Indicates that valid data has been placed on the TxD [7:0], TxPar, and TxSOC lines in the current clock cycle when the RS8234 is in UTOPIA or slave UTOPIA mode. This pin is an output in UTOPIA mode and an input in slave UTOPIA mode. (8 mA drive. Has pullup resistor to pull inactive in slave mode when not driven externally.)
	RXD[7:0]	Receive Data	I	Transfers incoming data bytes from the link interface or framer chip to the RS8234 in all framer modes.
	RXPAR	Receive Data Parity	I	Should be driven with the 8-bit odd parity computed over the RXD [7:0] lines by the link interface or framer chip in all framer modes.
	RXSOC	Receive Cell Marker	I	Indicates that the current byte being transferred on the RxData[7:0] lines is the starting byte of a 53-byte cell. Has internal pulldown resistor. (aka RxMark)
	RXCLAV*	Receive Flag	I/O	In UTOPIA mode, RxClav indicates that the receive buffer in the downstream link interface chip is empty, no more data can be transferred, and the RxData[7:0], RxPar, and RxSOC lines are invalid. In slave UTOPIA mode, this pin indicates to the framer chip that the receive FIFO buffer in the RS8234 is full. 8 mA drive. Has pulldown resistor to pull inactive in master mode when not driven externally. (aka RxFlag*)
	RXEN*	Receive Enable	I/O	In UTOPIA mode, RXEN* indicates that the RS8234 is ready to receive data on the RXD[7:0], RXPAR, and RXSOC lines in the next clock cycle. This pin is an output in UTOPIA mode and an input in slave UTOPIA mode. Has pullup resistor to pull inactive in slave mode when not driven externally. 8 mA drive.
	RXCLK	Framer Control/Clock	I	In UTOPIA and slave UTOPIA mode, the RXCLK line should be driven with a clock that is synchronous to that used by the framer device for interfacing to the RS8234. The TXD[7:0], TXPAR, TXSOC, TXCLAV*, TXEN*, RXD[7:0], RXPAR, RXSOC, RXCLAV*, and RXEN* lines must be synchronous to this clock in UTOPIA mode, and maintain the specified setup and
28234	DSH-001-B	Mindspeed Technologies		reference to its rising edge. 2-31

Table 2-1. Hardware Signal Definitions (4 of 6)

	Pin Label	Signal Name	I/O	Definition
Local Bus Processor Interface	PROCmode	Processor Mode Select	I	When grounded, this input selects the local processor mode. When pulled to a logic high, the standalone mode is selected.
	PADDR[1:0]	Word Select Inputs	I	The PADDR[1,0] inputs are connected to the word select field of the CPU address bus (address bits [3, 2] for the Intel i80960CA processor, which can perform 4-word burst transactions). These inputs are used by the RS8234 to allow single-cycle bursts to be performed without requiring very short memory access times.
	PBSEL[1:0]	Bank Select Inputs	I	Select one of four banks of memory to be accessed. They are decoded by the memory controller to generate the appropriate chip/bank selects to the external memory.
	PBE[3:0]*	Write Byte-Enables	I	Supplies byte enables for each local processor memory access. These pins are only relevant during writes by the local processor to SAR shared memory. Each byte enable line corresponds to a specific byte lane in the LDATA[31:0] data bus: PBE[0]* corresponds to LDATA[7:0], PBE[1]* to LDATA[15:8], PBE[2]* to LDATA[23:16], and PBE[3]* to LDATA[31:24].
	PCS* (PHYCS1*)	SAR Chip Select ATM PHY Chip Select (in standalone mode)	I/O	In local processor mode with PROCmode tied low, PCS* is the SAR chip select input. In standalone mode, this pin is PHYCS1*, which may be connected to the chip select input of the Mindspeed PHY device.
	PAS*	Address Strobe	I/O	Indicates a local processor address cycle. In standalone mode, PAS* is used to drive the AS* pin of the Mindspeed PHY device.
	PWNR	Write/not Read	I/O	The PWNR input indicates the direction of a local processor transfer. A logic one indicates a write while a logic zero indicates a read. During standalone mode, this output provides the same function for the Mindspeed PHY device.
	PWAIT*	Processor Wait	I	Used by the local processor or external logic to insert wait states for read or write transactions.
	PBLAST* (PHYCS2*)	Burst Last ATM PHY Chip Select (in standalone mode)	I/O	In local processor mode, this input is used by the processor to indicate the end of a transaction. During standalone mode, this output is a second chip select, PHYCS2*.
	PRDY*	Memory Ready	O	Signals that the memory or control register has accepted the data on a write, or that data is available to latch by the local processor on a read cycle.
	PDAEN*	Data/Address Enable	I/O	Connected to the output enable input of the bidirectional transceivers and buffers used to isolate the RS8234 data and address bus from the local processor. In standalone mode, this input is connected to the physical device's interrupt output(s).

Table 2-1. Hardware Signal Definitions (5 of 6)

	Pin Label	Signal Name	I/O	Definition
Local Bus Processor Interface	PFAIL*	Self-Test Failed	I	The local processor can indicate a failure of its internal self-test or initialization processes by asserting the PFAIL* input to the RS8234.
	PINT*	Interrupt Output	OD	Asserted by the RS8234 to the local processor to signal an interrupt request in local processor mode.
	PRST*	Reset Output	O	Asserted by the RS8234 to the local processor whenever the HRST* input is asserted, or when the LP_ENABLE bit in the CONFIG0 register is a logic low.
Local Bus Memory Interface	LDATA[31:0]	Memory Data Bus	I/O	Data I/O bus. Used for memory reads and writes, as well as control and status register access by the local processor.
	LADDR[18:2]	Memory Address Bus	I/O	Address I/O bus. Used for memory reads and writes, as well as control and status register access by the local processor.
	LADDR[1:0]	Memory Address Bus	O	The two least significant bits of address I/O bus. Used for memory reads and writes, as well as control and status register access by the local processor.
	MCS[3:0]*	Memory Bank Chip Selects	O	Selects one of four addressable banks of SRAM memory.
	MOE*	Memory Read Enable	O	Indicates that a read cycle is proceeding and the memory device output buffers should be enabled, driving data onto the LDATA[31:0] lines.
	MWE[3:0]*	Memory Byte Write Enables	O	Memory byte write enables for by_4 or by_8 SRAMs. For by_16 devices, these outputs are byte enables that are active on writes and reads.
	MWR*	Write Enable	O	Memory write enable for by_16 SRAMs.
	RAMMODE	RAM Mode Select	I	Selects RAM chips supported. 1 = by_16 memory devices 0 = by_4 or by_8 memory devices
Clocks/Status	CLK2X	2x Clock Input	I	Double frequency (from SYSCLK) TTL clock input (66 MHz maximum).
	SYSCLK	System Clock Output	O	This divide by 2 of CLK2X is the internal system clock as well as the external system clock (33MHz maximum).
	CLKD3	Divide by 3 Clock Output	O	This output clock is a 50% duty cycle, one-third divide of CLK2X; it may be used for the UTOPIA interface clock (22 MHz maximum).
	STAT[1:0]	SAR Status	O	RS8234 internal status outputs. Internal status controlled by the STAT_MODE[4:0] field in the CONFIG0 Register.

Table 2-1. Hardware Signal Definitions (6 of 6)

	Pin Label	Signal Name	I/O	Definition
Boundary Scan Test Signals	TRST*	Test Logic Reset	I	When a logic low, this signal asynchronously resets the boundary scan test circuitry and puts the test controller into the reset state. This state allows normal system operation. Tie to ground when boundary scan is not implemented. This pad has an internal pullup resistor to VDD.
	TCLK	Test Clock	I	Generated externally by the system board or by the tester. Tie to ground when boundary scan is not implemented.
	TMS	Test Mode Select	I	Decoded to control test operations. This pad has an internal pullup resistor to VDD.
	TDO	Serial Test Data	O	Outputs serial test pattern data.
	TDI	Serial Test Data	I	Input for serial test pattern data. This pad has an internal pullup resistor to VDD.
Serial EEPROM	SDA	EEPROM Data	I/O	Serial I ² C data.
	SCL	EEPROM Clock	O	Serial I ² C clock.
Supply Voltage	VDD	Power	—	49 balls are provided for supply voltage.
	VSS	Ground	—	85 balls are provided for ground. (The 36 balls in the center help in heat dissipation.)
	VGG	ESD Protection – Voltage Clamp	I	Provides Electrostatic Discharge (ESD) protection and over voltage protection. When the device is used with 5 V devices on the board, tie this pin to 5 V for 5 V signal tolerance. Otherwise, tie to 3.3 V. NOTE: The 5 V supply must be applied concurrent to the 3.3 V supply.

3.0 Host Interface

3.1 Overview

The RS8234 segments and reassembles user data packets at 200 Mbps simplex, and over 155 Mbps full duplex. The actual segmentation and reassembly processes execute without run-time host control. However, the ATM host system supplies the data for transmission and buffers for received data. In addition to this control, the host processes status returned from the SAR. To take advantage of the RS8234's high throughput, the host must process control and status information at a comparable rate.

APPLICATION EXAMPLE

An Ethernet Switch uses a RS8234 based subsystem as an uplink to an OC-3 ATM backbone. Under worst case conditions, Ethernet packets (64 octets) map into two ATM cells. At OC-3 rates, the RS8234 converts 176.6 k packets/second to cells in each direction. Therefore, the host must process control and status information for a total of 353.2 k packets/second. This packet rate equates to a packet service time of 2.83 microseconds/packet.

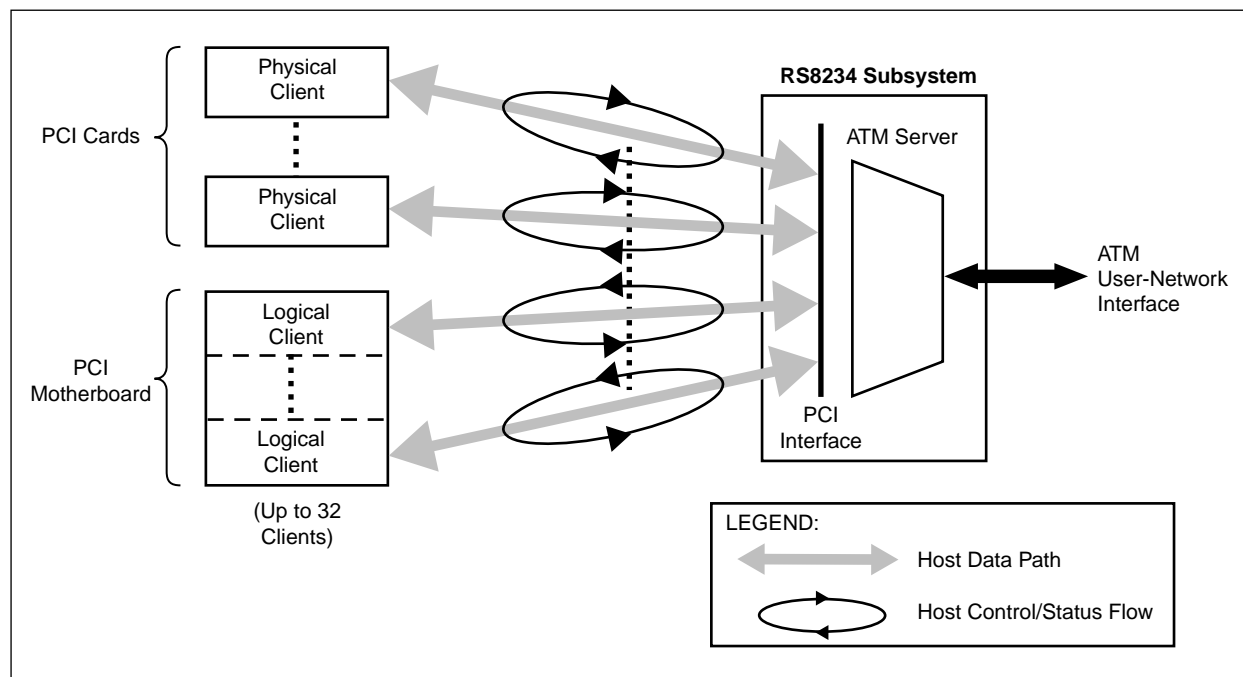
In cases such as the example above, the service rate places extraordinary performance requirements on the host system. High throughput systems require large numbers of processing cycles and efficient utilization of system buses.

The RS8234 provides a flexible, high performance host interface architecture. With this interface, the RS8234 facilitates a scalable, distributed host system. The interface also minimizes the impact of an ATM port on the host system's PCI bus.

3.2 Multiple Client Architecture

The RS8234 provides multiple independent control and status communication paths. Each communication path, or flow, consists of a control queue and a status queue for both segmentation and reassembly. The host assigns each of these independent flows to system clients, or peers. As throughput requirements escalate, the host system can add processing power in the form of additional peers. This degree of freedom creates a scalable host environment. The RS8234 provides an ATM server for up to 32 clients. Figure 3-1 illustrates this client/server relationship.

Figure 3-1. Client/Server Model of the RS8234



3.2.1 Logical Clients

As shown in Figure 3-1, the clients need not be physically distinct PCI peers. The host can also assign control and status queues to system software tasks, or logical clients. Since the queues offer individually distinct communication paths, each logical client interfaces to the RS8234 independently. Due to its server architecture, the RS8234 supplies the synchronization between asynchronous tasks requiring ATM services.

3.2.2 Resource Allocation

With either physical PCI peers, logical peers, or some combination of the two types, the RS8234 multiplexes each peer's transmitted packets onto the line and routes incoming packets to the appropriate peer. The host system allocates shared resources, such as host and SAR shared memory, VPI/VCI address space, and CBR time slots, to peers and clients arbitrarily.

3.2.3 Resource Isolation

Since each peer is assigned to an independent control and status path, the RS8234 isolates the resources of each peer. Not only does this simplify resource management, but queue error conditions caused by a single peer do not affect any other peers.

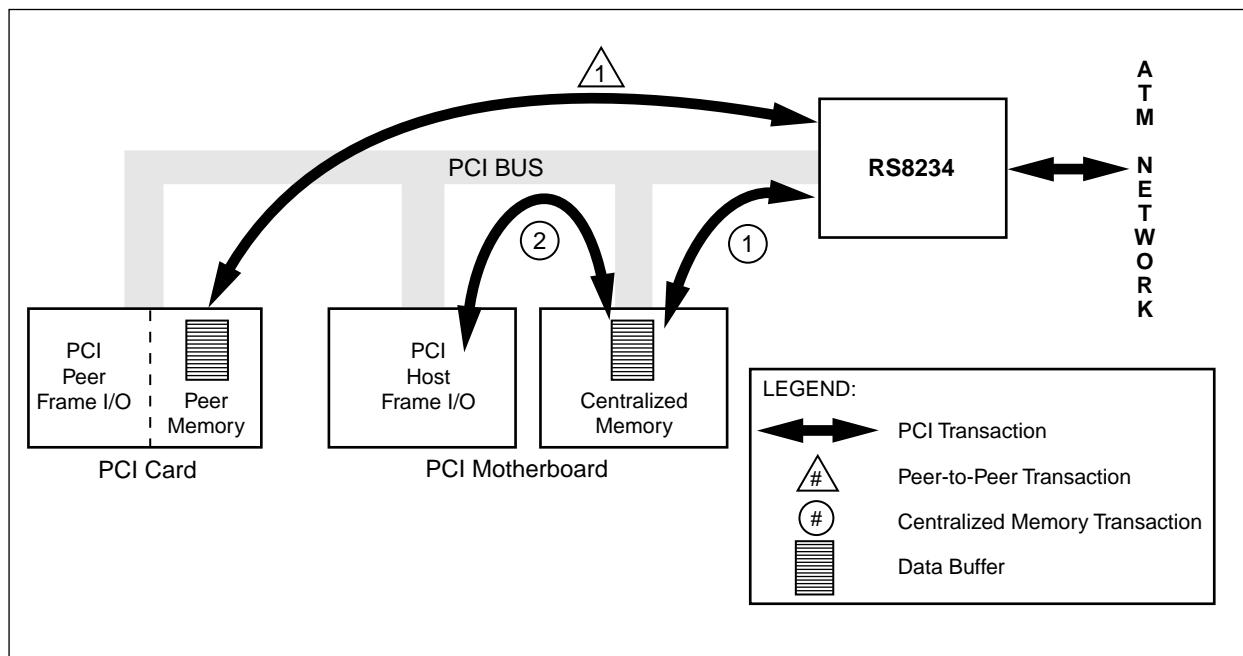
APPLICATION EXAMPLE

A system designer implements a RS8234 terminal as an ATM uplink for a Service Access Multiplexer (SAM). The SAM is comprised of the ATM card and several Frame Relay adapter cards. The host assigns each Frame Relay adapter card to a set of RS8234 control and status queues at initialization. During operation, one of the Frame Relay adapter cards experiences a hardware failure. The failure prevents the card's processor from servicing the RS8234's reassembly status queue. Eventually, the RS8234 fills the queue and is unable to proceed — this situation is referred to as queue overflow. The RS8234 shuts down reassembly on VCCs that are assigned to the overflowed queue only. Since the other cards in the system are assigned to other status queues, their VCCs remain unaffected by the failure.

3.2.4 Peer-to-Peer Transfers

The multiple queue architecture of the RS8234 also enables peer-to-peer PCI transfers. The RS8234 transfers ATM cells as a PCI master. Since the buffer control structures are independent for each peer, each identifies a unique address range in PCI memory space. The host defines the address range of each peer. The RS8234 transfers data within this address range. An address range corresponds either to a region of centralized host memory, or to a set of peer resident buffers. [Figure 3-2](#) shows the difference between these two options. Centralized memory buffers require store-forward operations, while the peer buffers enable peer-to-peer transfers. Thus, peer-to-peer transfers reduce the use of the PCI bus.

Figure 3-2. Peer-to-Peer vs. Centralized Memory Data Transfers

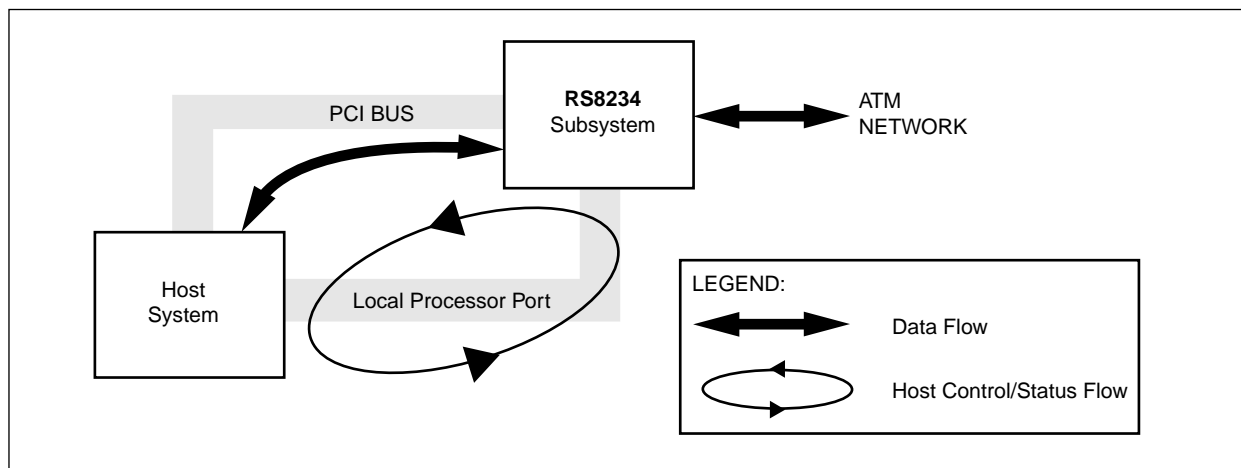


100074_012

3.2.5 Local Processor Clients

The RS8234 supports limited bandwidth SAR shared memory segmentation and reassembly. Any peer may use the local processor port instead of the PCI bus for control and status, as well as for data traffic. Hosts can use SAR shared memory for control and status, but transfer data across the PCI bus. This “out-of-band” control configuration diverts control overhead from the PCI bus, lessening the burden of ATM’s high throughput and robust management requirements on the host system. [Figure 3-3](#) shows an out-of-band control architecture.

Figure 3-3. Out-of-Band Control Architecture



3.3 Write-Only Control and Status

For host-based applications, the host manages the RS8234 SAR using write-only control and status queues. This architecture minimizes PCI bus utilization by eliminating reads from the control path. PCI writes utilize the bus much more efficiently than PCI reads. During a PCI write, the target may “post” the write data in an internal FIFO, terminate the transaction, and immediately release the bus. On the other hand, during reads, the target retrieves the data while holding the bus. Since the data retrieval takes some time, reads increase the PCI bus utilization.

The RS8234’s write-only architecture uses reads only for segmentation data (PDU) fetches. All control and status transactions are writes. This section describes the management of write-only queues. The purpose and entries of each class of queue are described in later chapters.

[Table 3-1](#) defines the RS8234 control and status queues.

Table 3-1. RS8234 Control and Status Queues

Type	Segmentation	Reassembly
Control	Transmit queue	Free buffer queue
Status	Segmentation status queue	Reassembly status queue

3.3.1 Write-Only Control Queues

The host controls run-time segmentation and reassembly through write-only control queues. There are two types of control queues — the segmentation transmit queues and the reassembly free buffer queues. The host submits buffers of PDU data for segmentation on the transmit queues, and supplies empty buffers for received data on the free buffer queues. Each type of queue is managed as a write-only control queue.

These queues reside in SAR shared memory at a location defined by a base register pointer. To allow multiple clients, the RS8234 supports 32 queues of each type. The SAR and host manage each queue independently, through queue management variables. The SAR stores its variables in internal registers called base tables. The host maintains its own variables within its driver. Each queue contains a programmable number of queue entries.

3.3.1.1 Control Variables

Table 3-2 describes the variables for write-only control queues.

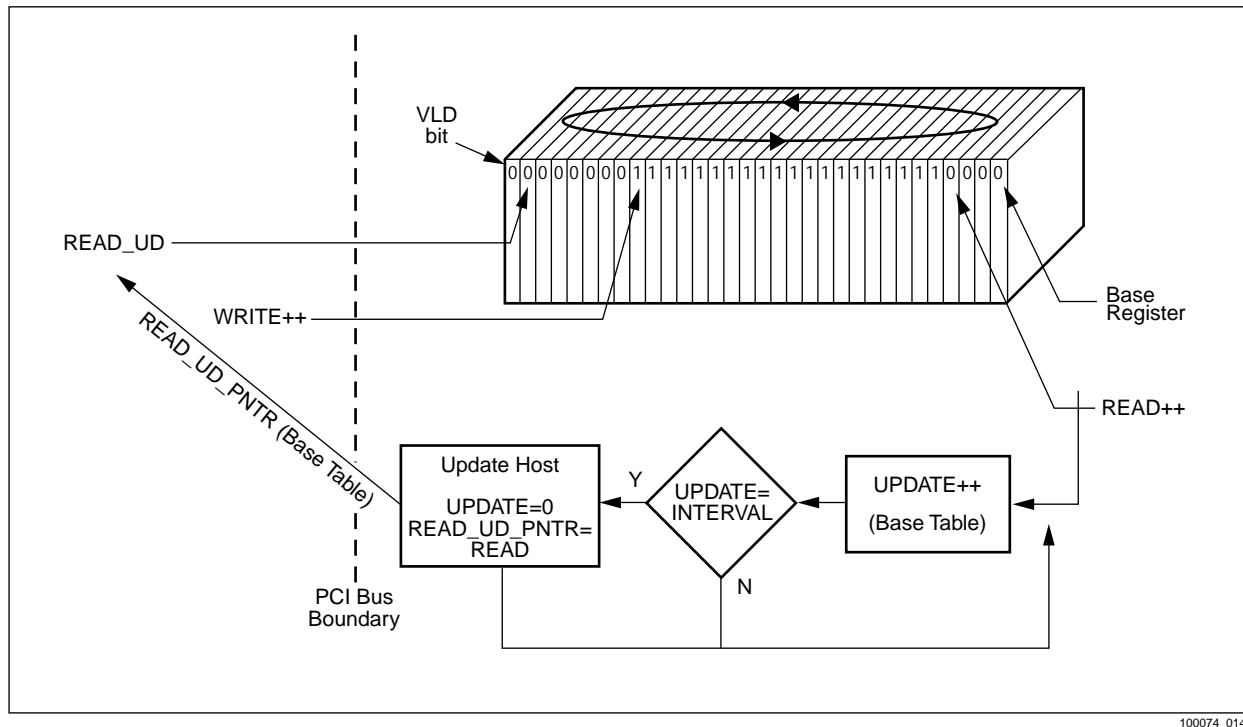
Table 3-2. Write-Only Control Queue Variables

Variable	Definition	Location	Initialization
WRITE	Current host position in queue	Host variable	0
READ_UD	Last known SAR position in queue as seen by host	Host word aligned variable	0
READ	Current SAR position in queue	SAR Base Table	0
INTERVAL	Number of queue entries processed by SAR before writing READ_UD	SAR register	Host defined
UPDATE	Number of queue entries since last write of READ_UD	SAR Base Table	0
READ_UD_PNTR	SAR pointer to READ_UD	SAR Base Table	&READ_UD

3.3.1.2 Queue Management

Figure 3-4 illustrates the control queue management algorithm. The host initializes all of the variables described in **Table 3-2**. Once the SAR is enabled, it maintains the READ pointer. When the SAR processes a queue entry, it advances the READ pointer (READ++). Since the queues are circular, the pointer will eventually wrap back to zero. It also advances an internal counter, UPDATE (UPDATE++). When INTERVAL queue entries have been processed, the SAR writes its current position in the queue, READ, to a host variable, READ_UD. The host determines the magnitude of INTERVAL at initialization. Larger numbers result in fewer overhead PCI accesses, but will also introduce larger latency between host updates, which reduces the effective size of the queue.

Figure 3-4. Write-Only Control Queue



100074_014

The host also maintains a pointer into the queue, **WRITE**. When the host submits a new entry, it must first ensure that the SAR has already processed the entry location. The host compares **WRITE** to **READ_UD**. If $(\text{WRITE}+1) \text{ modulo } \text{size_of_queue} = \text{READ_UD}$, then the host should halt writing to the queue. This results in being able to use only $N-1$ queue entries. However, if this is not done, then a full condition cannot be distinguished from an empty condition. The host must wait until **READ_UD** is modified by the SAR before proceeding. This algorithm ensures that the host does not overflow the control queue, without reading the queue itself.

Once it has verified its ownership of the entry, the host writes the entry and increments its write pointer (**WRITE++**). During this write, the host sets the valid bit (**VLD**) in the entry to one.

The RS8234 “snoops” writes to the control queue areas. Once a write is detected to a specific queue, the SAR attempts to process the queue entry at **READ**. Before acting on the entry, the SAR checks for ownership of the entry, indicated by the **VLD** bit. Once the RS8234 has processed the entry, it resets the **VLD** bit to zero.

3.3.1.3 Underflow Conditions

An underflow condition occurs when the SAR attempts to retrieve a queue entry and the host has not yet supplied this entry. This condition only happens on the free buffer queues. The SAR detects this condition by checking the queue entry **VLD** bit. Once detected, the SAR enters an “Underflow Detected” state on this queue only. Since this signifies that no data buffers are available for reassembly, the SAR initiates EPD on all channels assigned to this queue. [Chapter 5.0](#) describes SAR handling of free buffer queue underflow in detail.

3.3.2 Write-only Status Queues

The SAR reports status to the host through write-only status queues. Both the segmentation and reassembly coprocessors use their own format of status queue. However, the RS8234 manages all status queues with the same algorithm.

These queues reside in host memory, or optionally SAR shared memory, at a location defined within the base table for each queue. The host must assign word aligned (4-byte) status queue base addresses. To support multiple clients, the RS8234 provides 32 queues of each type. The SAR and host manage each queue independently through queue management variables. The SAR stores its variables in internal base table registers. The host maintains its variables in its driver. Each queue contains a programmable number of queue entries.

3.3.2.1 Control Variables [Table 3-3](#) describes the variables for write-only status queue management.

Table 3-3. Write-only Status Queue Variables

Variable	Definition	Location	Initialization
WRITE	Current SAR position in queue	SAR Base Table	0
READ_UD	Last known host position in queue as seen by SAR	SAR Base Table	0
READ	Current host position in queue	Host Variable	0
INTERVAL	Number of queue entries processed by host before writing READ_UD	Host Variable	Host defined
UPDATE	Number of queue entries since last write of READ_UD	Host Variable	0
READ_UD_PNTR	Host pointer to READ_UD	Host Variable	&READ_UD

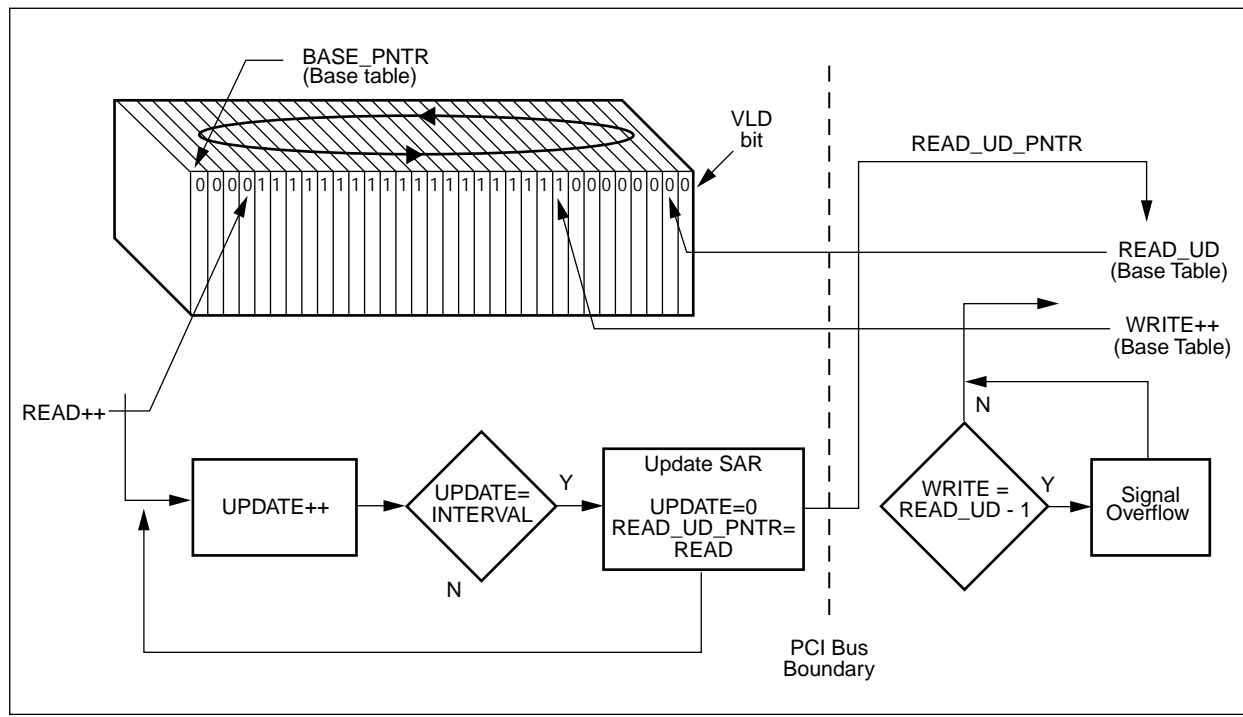
3.3.2.2 Queue Management

Figure 3-5 illustrates the status queue management algorithm. The host initializes all of the variables described in **Table 3-3**.

The SAR maintains its own write pointer, WRITE. The RS8234 reports status to the host by writing a status queue entry. After it writes the entry, the RS8234 increments its write pointer (WRITE++). This write also triggers a maskable interrupt.

The host either responds to this interrupt, or periodically polls the status queue. The VLD bit in each queue entry enables polling. The SAR sets the VLD bit equal to one when it writes a status queue entry. The host resets it to zero after processing an entry.

Figure 3-5. Write-Only Status Queue



100074_015

The host also maintains a pointer (READ) into the status queue. Each time it services an entry, it increments a counter (UPDATE++). When this counter reaches a host-specified threshold (INTERVAL), the host informs the SAR of its current queue position by writing READ_UD in the queue's base table register.

3.3.2.3 Overflow Conditions

An overflow condition occurs when the SAR attempts to write a status queue entry, but the status queue entry is unavailable. This condition may happen for both the segmentation and reassembly status queues. Chapter 4.0, Segmentation Coprocessor, and Chapter 5.0, Reassembly Coprocessor, describe the handling of this event. In either case, the result is severe and therefore undesirable. The host control service rate of the status queue should match or exceed the status queue reporting rate of the RS8234.

The RS8234 detects an overflow condition by comparing its current WRITE pointer to the READ_UD pointer, i.e., the last known host READ position. If WRITE points to the entry immediately before the READ_UD (WRITE = READ_UD - 1), the SAR detects the imminent overflow condition.

To inform the host of the event, the SAR sets the overflow indication bit (OVFL) in the exhausted status queue. Since it cannot report status, the RS8234 segmentation and reassembly processing is temporarily halted for VCCs assigned to the overflowed status queue only. All other processes and queues remain operational.

3.3.2.4 Status Queue Interrupt Delay

Status Queue Interrupt Delay has been added in order to reduce the interrupt processing load on the host. This is valuable in a Network Interface Card (NIC)-based solution, where the SAR resides in an environment in which the host is not dedicated to datacom processing. Both a timer holdoff mechanism and an event counter mechanism are implemented and work in parallel. The timer holdoff mechanism uses the ALARM1 and CLOCK register resources to implement an interval timer. Interrupts due to status queue writes, either host or local, are delayed until the timer expires. The event counter mechanism delays the assertion of the interrupt due to status queue writes until a fixed number of status queue writes have occurred. Both mechanisms work in parallel (not in series) if enabled, so that either mechanism needs to expire before the interrupt propagates to the output pin. Interrupts due to conditions other than status queue writes are not delayed. (See page 13-7 for specific information on the Interrupt Delay (INT_DELAY) register.)

Timer Holdoff Mechanism

The timer holdoff mechanism is enabled by setting INT_DELAY (EN_TIMER) to a logic high. The ALARM1 register is set to a value that will hold off the interrupt for a specified period of time. The user initializes the CLOCK register to zero. When the value in the CLOCK register is greater than the value in the ALARM1 register, status queue interrupts will be allowed to propagate to the appropriate interrupt pins, HINT* or PINT*. The CLOCK register is set to zero once an interrupt has propagated to the output pin, thus closing the status queue write interrupt window. The timer mechanism cannot be used in both the PINT* and HINT* circuits at the same time. The timer mechanism is configured via the INT_DELAY (TIMER_LOC) bit.

Event Counter Mechanism

The event counter mechanism is enabled by setting INT_DELAY (EN_STAT_CNT) to a logic high. An internal counter is implemented that counts the number of status queue write events. The number of events before opening the interrupt window is programmable via the INT_DELAY(STAT_CNT) field. The window will be closed for STAT_CNT number of events. When the internal counter has reached the value of STAT_CNT, the interrupt window will be opened, which will allow the interrupt to propagate to the output pin. The counter is reset when the status registers are read and the interrupt output goes inactive.

4.0 Segmentation Coprocessor

4.1 Overview

ATM's cell transport mechanism enables large numbers of virtual channels or VCCs to be multiplexed onto a single physical interface. The segmentation process converts user data (typically Ethernet, Token Ring, or Frame Relay packets) into ATM cells.

The RS8234 can segment 64 K VCCs simultaneously. The segmentation coprocessor block independently segments each channel and multiplexes the VCCs onto the line with cell level interleaving. The RS8234 xBR Traffic Manager determines the order of execution of these independent processes to ensure the requested QoS for every channel. For each cell transmission opportunity, the xBR Traffic Manager tells the segmentation coprocessor which VCC to send. Therefore, the segmentation coprocessor acts as a slave to the xBR Traffic Manager.

In addition to converting blocked user data into ATM cells, the RS8234 generates all AAL overhead for AAL3/4 and AAL5, or optionally uses a null adaptation layer, AAL0. The RS8234 also generates the ATM cell header, as defined by the host, for each VCC. Furthermore, the segmentation coprocessor and xBR Traffic Manager together provide service specific features to enhance the performance of Frame Relay internetworking and LAN Emulation.

4.2 Segmentation Functional Description

4.2.1 Segmentation VCCs

A VCC specifies a single VC or VP in the ATM network. The RS8234 supports up to 64 K segmentation VCCs, referenced by a unique index, VCC_INDEX. The VCC_INDEX identifies a location in the Segmentation VCC Table, an array of 10-word segmentation VCC channel descriptors.

Except for ABR service category VCCs, each segmentation VCC occupies a single descriptor in the table (10 words). Due to the large number of specified parameters for ABR traffic, ABR VCCs occupy two descriptors (20 words) in the Segmentation VCC Table. The VCC_INDEX for ABR VCCs points to the first of the two descriptors, and must be evenly divisible by two.

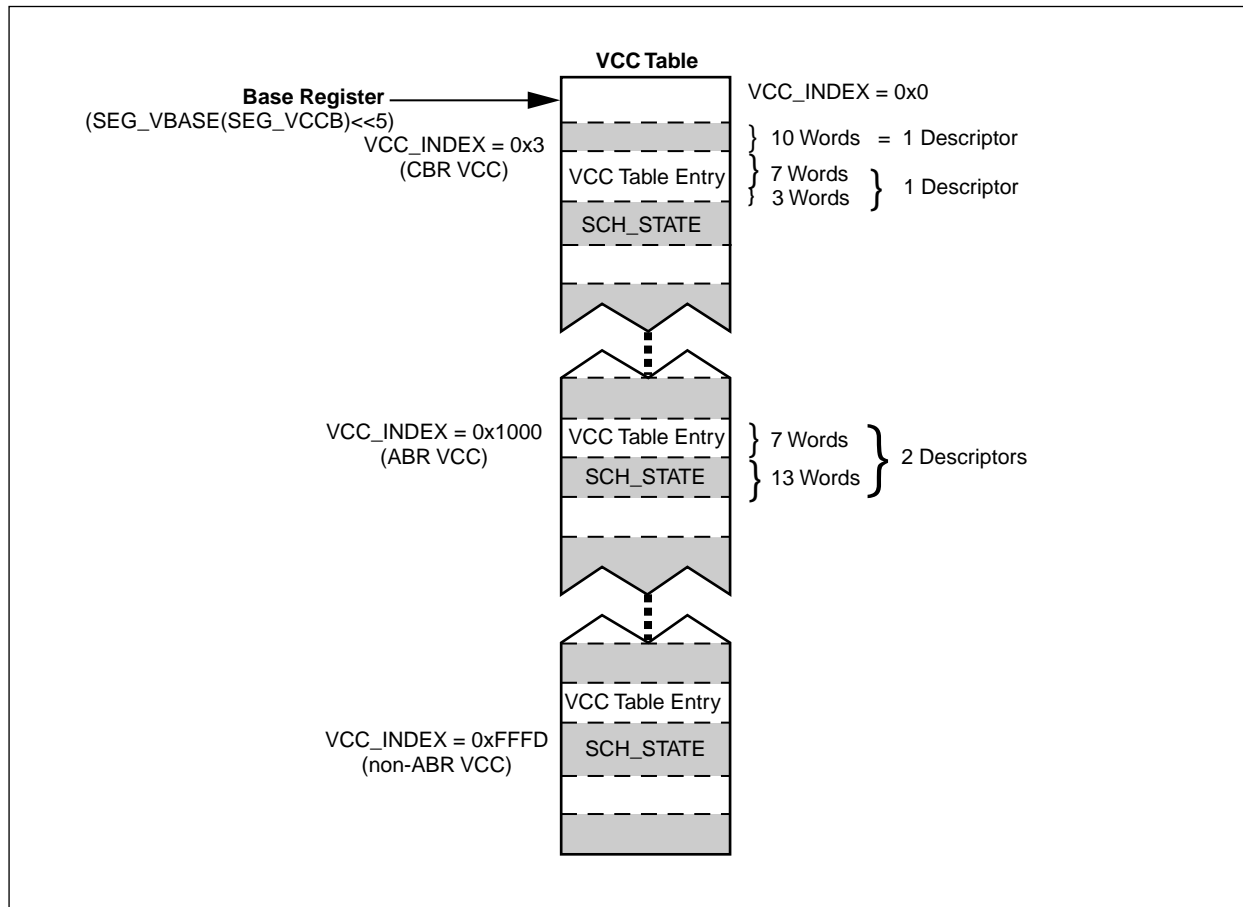
A Segmentation VCC Table channel descriptor consists of two parts: an AAL specific VCC Table Entry (seven words) and a service class specific Schedule State (SCH_STATE). For non-ABR VCCs, the remaining three words of the channel descriptor form the SCH_STATE entry. For an ABR VCC, the SCH_STATE entry contains 13 words, which require an additional descriptor location.

4.2.1.1 Segmentation VCC Table

[Figure 4-1](#) shows a VCC Table with a CBR VCC at VCC_INDEX 3, an ABR VCC located at VCC_INDEX 0x1000, and a non-ABR VCC at VCC_INDEX 0xFFFF. The host allocates the VCC Table in SAR shared memory and provides an address to the SAR in a base register field, SEG_VBASE(SEG_VCCB). For the most efficient ABR performance, all ABR VCCs should be placed in the upper half of the VCC Table (i.e., with smaller VCC indexes). The only reason not to put ABR VCCs at the lowest address range is to place CBR VCCs in the first 32k of VCC addresses. Valid VCC indexes for CBR traffic range from 0x0000 to 0x7FFE, due to the limit imposed by a 15-bit address. A VCC index of 0xFFFF for non-CBR and 0x7FFF for CBR indicates a NULL VCC.

While the RS8234 will accept any VCC Index within the range of 64 K VCC Indexes, the actual number of segmentation VCCs allowed by the SAR is limited by the amount of SAR shared memory available in which to allocate and create segmentation VCC Tables, transmit queues, etc.

Figure 4-1. Segmentation VCC Table



100074_016

The VCC Table entry contains generic information common to all traffic classes. This includes a default ATM header, which the host may modify during the segmentation process. See [Section 4.3.1](#) for full details of the structure of a segmentation VCC Table entry.

4.2.1.2 VCC Identification

The host allocates a region of SAR shared memory for the segmentation VCC Table at system initialization, based on the maximum number of connections and the maximum number of ABR connections. The host informs the SAR of the location of the table through the internal base register, SEG_VBASE (SEG_VCCB).

Once a table has been established, the host assigns segmentation VCCs to entries in the table. The host describes the SEG VCC by initializing the SEG VCC Table entry including the SCH_STATE portions of the assigned VCC. The VCC_INDEX, defined as the offset into the table in 10-word increments, uniquely identifies a segmentation channel. In all communication between the SAR and the host, a VCC_INDEX field specifies a VCC.

4.2.2 Submitting Segmentation Data

Once the host establishes a connection, it supplies data for segmentation. The host submits full or partial PDUs, either one at a time or in batches, for individual VCCs. The SAR accepts PDUs at any time, regardless of the state of the connection, and segments data on each VCC independently.

4.2.2.1 User Data Format

The RS8234 accepts user PDUs as sequences of data buffers. SAR shared memory resident segmentation buffer descriptors (SBDs) provide the address, length and control information for buffers. The host forms PDU buffer sequences by linking buffer descriptors. The data buffers themselves contain only user data and reside in host (or optionally SAR shared) memory. Host data buffers contain the bulk of segmentation data, and can begin on any byte-aligned address in the SAR's PCI address space.

NOTE: SAR shared memory data buffer segmentation should be limited to low bandwidth applications, such as Signalling, OAM, and ILMI.

4.2.2.2 Buffer Descriptors

The host submits data using the following process sequence. First, the host allocates an SBD for each buffer in a message. SBDs reside in SAR shared memory, and must begin on word-aligned addresses. Then, the host describes the buffers in the SBD. This description includes the address and length of the buffer, as well as control fields for the SAR during buffer segmentation. These control fields specify the VCC_INDEX, the AAL type, and header override information for the buffer.

The host then creates PDU message sequences by concatenating buffers. The host forms the buffer sequence by linking a list of buffer descriptors using the SBD's NEXT field. Two bits in the SBD control fields delineate the beginning and end of messages. One bit, BOM, specifies that the buffer contains the beginning of a message. The second bit, EOM, notifies the SAR that the buffer contains the end of the current message. The host identifies the end of the SBD chain by terminating the list with a NULL (0) NEXT pointer. [Table 4-1](#) shows the appropriate use of these bits in detail.

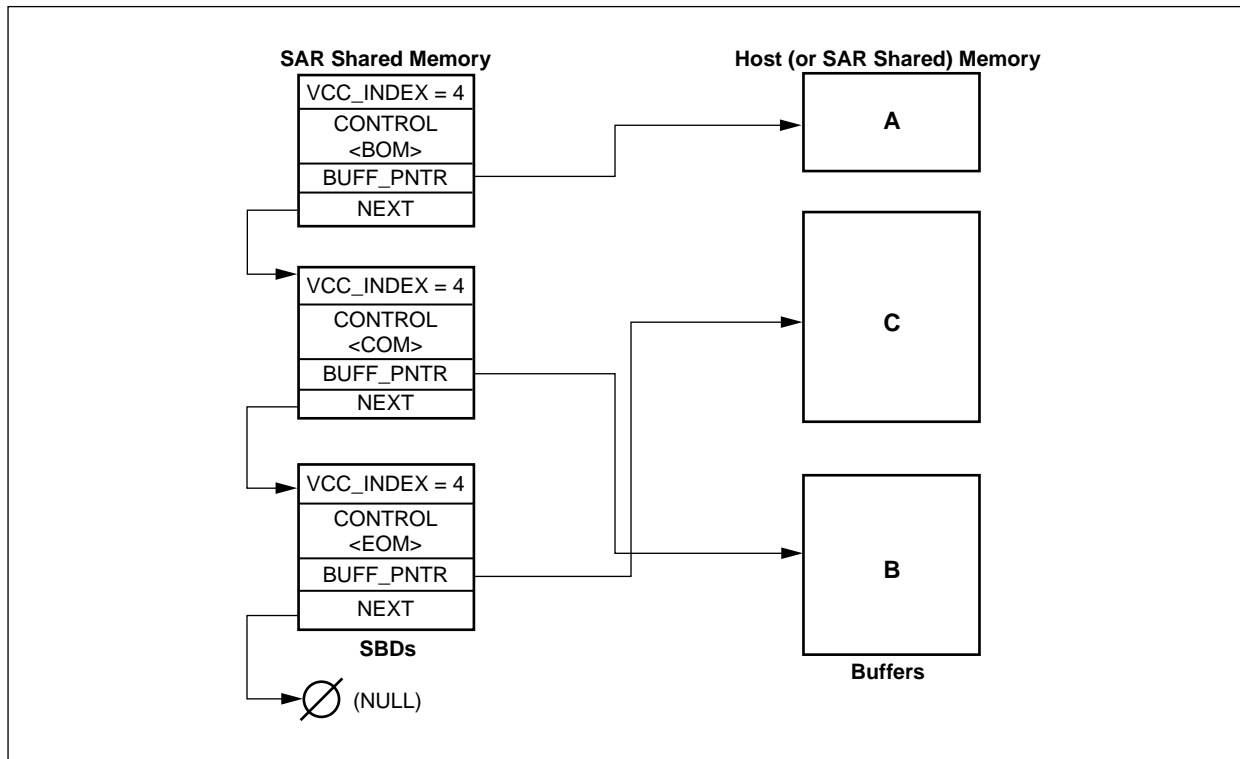
Table 4-1. Segmentation PDU Delineation

BOM	EOM	Buffer to Message Adaptation
0	0	Segment as Continuation of Message (COM).
0	1	Terminate current CPCS-PDU at end of buffer (EOM).
1	0	Restart CPCS-PDU generation (BOM). Wait for EOM for termination.
1	1	Buffer contains complete message. Restart/terminate CPCS-PDU.

4.2.2.3 Host Linked Segmentation Buffer Descriptors

Figure 4-2 shows an example of SBD chaining. The host has formed a three-buffer message by linking three SBDs. In this example, the SAR will transmit a message sequence of buffer A, then buffer B, and finally buffer C as the end of message.

Figure 4-2. Segmentation Buffer Descriptor Chaining



4.2.2.4 Transmit Queues

Once the linked list of SBDs is complete, the host submits the chained message to the SAR for segmentation. The host uses one of the 32 transmit queues for this purpose. Each transmit queue is a circular queue of one-word entries. The host identifies the next available transmit queue entry according to the write-only host interface specification described in Section 3.3.1. The host processor writes a pointer to the SAR shared memory SBD onto the next available transmit queue entry. During this write, the host also sets the VLD bit to indicate the entry is valid.

The RS8234 detects this write by “snooping” SAR shared memory accesses. When a write occurs to any of the transmit queues, the RS8234 marks that queue as pending. Once every cell slot, the RS8234 services one queue entry from one Transmit Queue. The system designer selects one of two service order priority schemes. With the SEG_CTRL(TX_RND) bit set to one, the RS8234 services queues in round-robin order (i.e., one entry per queue in transmit queue sequence for all active queues). With the SEG_CTRL(TX_RND) bit set to zero, the RS8234 services the queues in fixed priority order (i.e., entries from higher priority active queues are serviced before lower priority queue entries, with transmit queue 31 having highest priority).

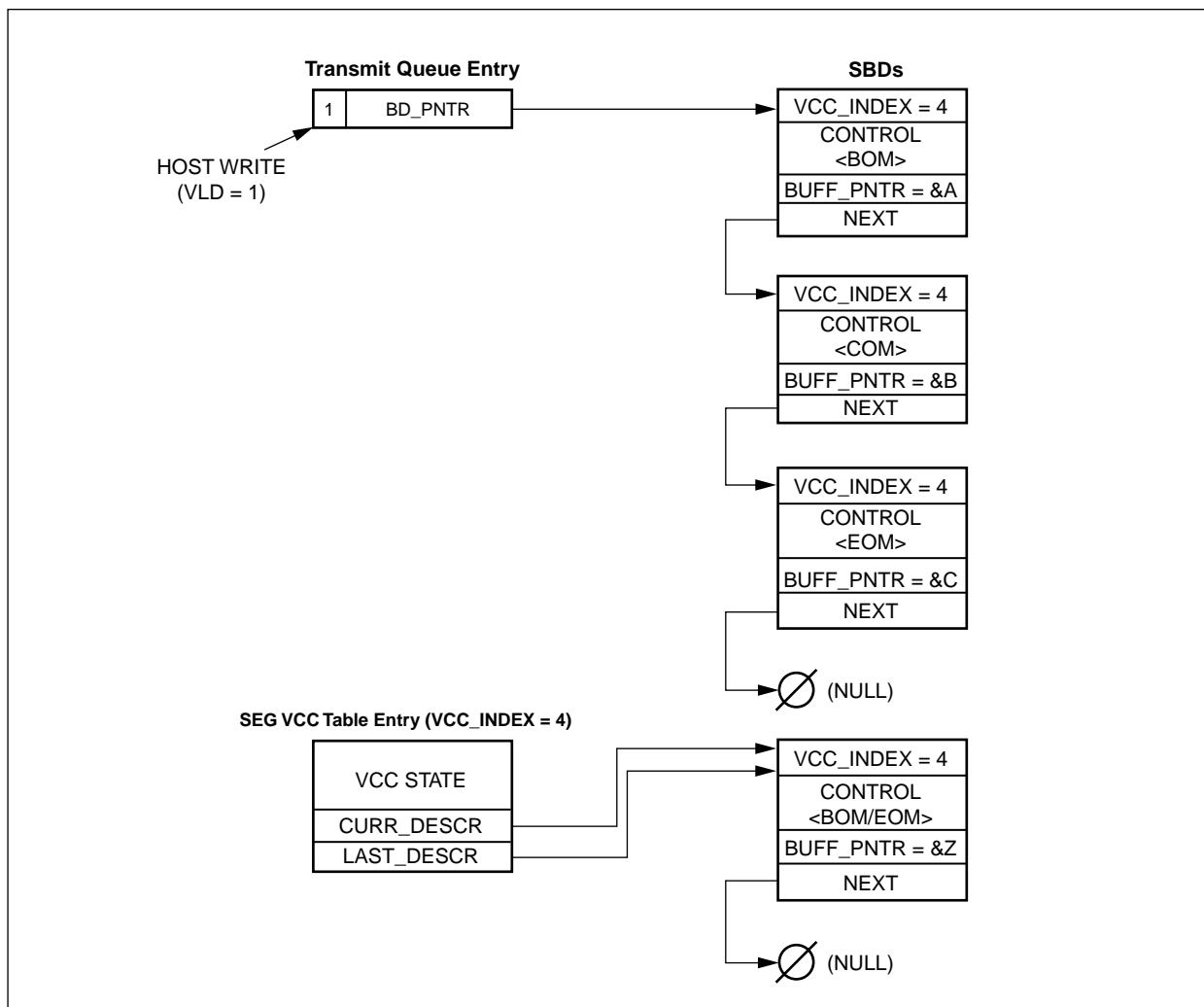
In either case, the SAR services one transmit queue entry by linking the new buffer descriptor chain to the VCC Table entry identified by the VCC_INDEX in the first SBD. The VCC Table entry includes pointers to buffer descriptors for segmentation. The SAR will link the new SBDs to the current chain of SBDs on a VCC. The host can submit data to a VCC while the SAR is segmenting a previously submitted message. Once the chain has been linked, the RS8234 resets the transmit queue VLD bit to zero.

SAR Transmit Queue Processing

Figure 4-3 and Figure 4-4 illustrate the process of linking SBDs to a VCC Table entry.

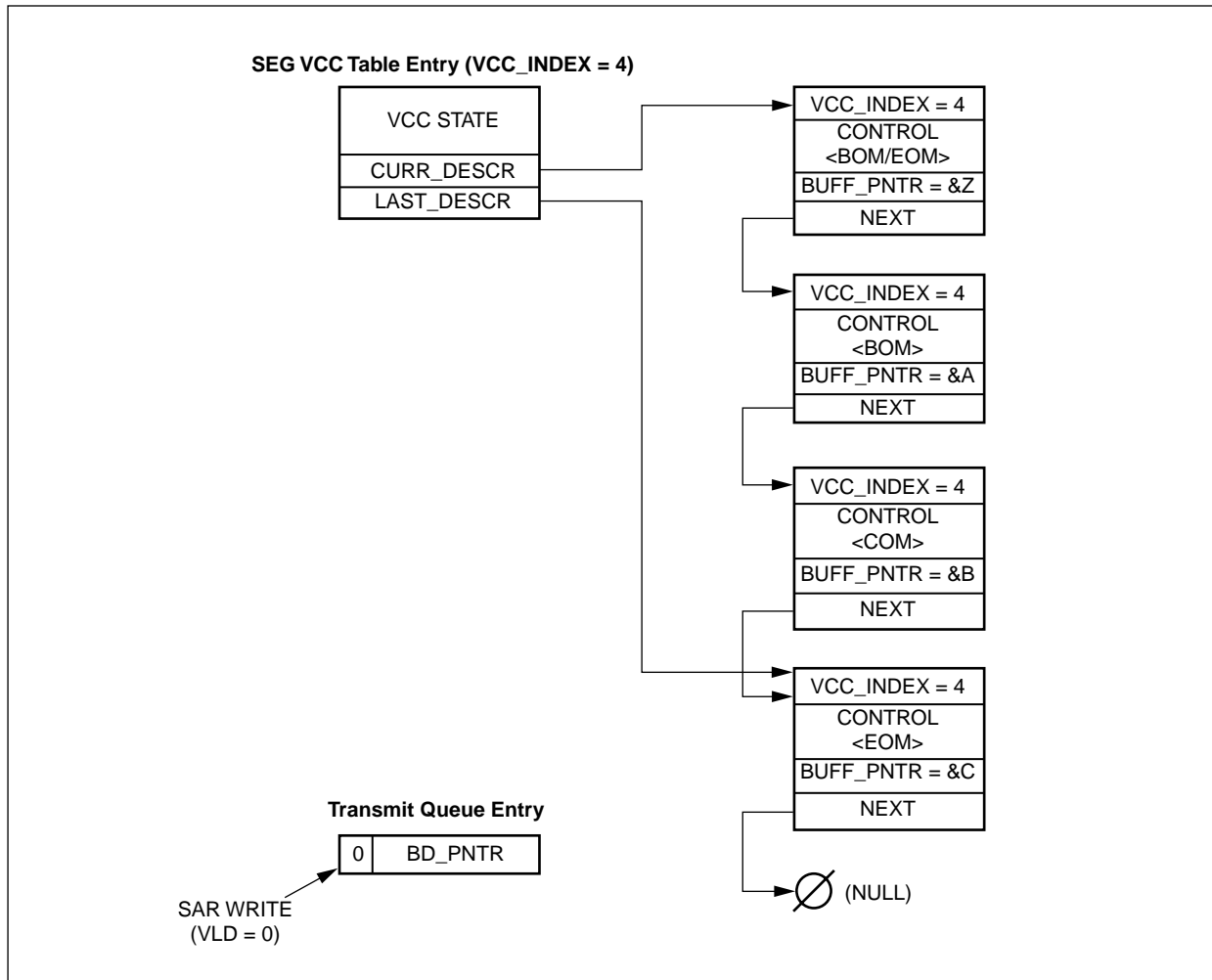
NOTE: Note that as the new buffers are submitted, the VCC is processing a single buffer PDU (BOM/EOM). The RS8234 accepts new PDUs while it is processing outstanding buffers.

Figure 4-3. Before SAR Transmit Queue Entry Processing



100074_018

Figure 4-4. After SAR Transmit Queue Entry Processing



4.2.2.5 Partial PDUs

The host may submit partial PDUs to the RS8234. In this case, the SAR transmits the data and halts on a cell boundary. The partial PDU buffers are not required to be aligned to a cell boundary by the host. The RS8234 tracks the remaining segmentation data. If a partial cell remains, the RS8234 will hold the buffer until it can complete a cell. Once the host submits an additional buffer, the RS8234 resumes segmentation.

4.2.2.6 Virtual Paths

For network management simplicity, the host can create Virtual Path VCCs (i.e., it can segment many VCIs on one VP). The host supplies the VCI for the ATM header within each Segmentation Buffer Descriptor (SBD). When using this method, the RS8234 must be provided with contiguous linked SBDs that are of the same VCC_INDEX (i.e., the same VCI) for the length of the PDU. This allows the RS8234 to multiplex VCI messages at the PDU level. For AAL5 segmentation, the host must guarantee that SBDs are linked with PDU multiplexing to preserve CPCS-PDU integrity.

4.2.3 CPCS-PDU Processing

The buffers submitted by the user contain only user data, the CPCS Service Data Unit (CPCS-SDU). The RS8234 adds the CPCS-PDU protocol fields to the CPCS-SDU. The SAR supports three AAL levels: AAL5, AAL3/4, and a transparent adaptation layer (AAL0).

Specific features also allow the generation of OAM cells. [Chapter 7.0](#) covers OAM generation in detail.

4.2.3.1 AAL5

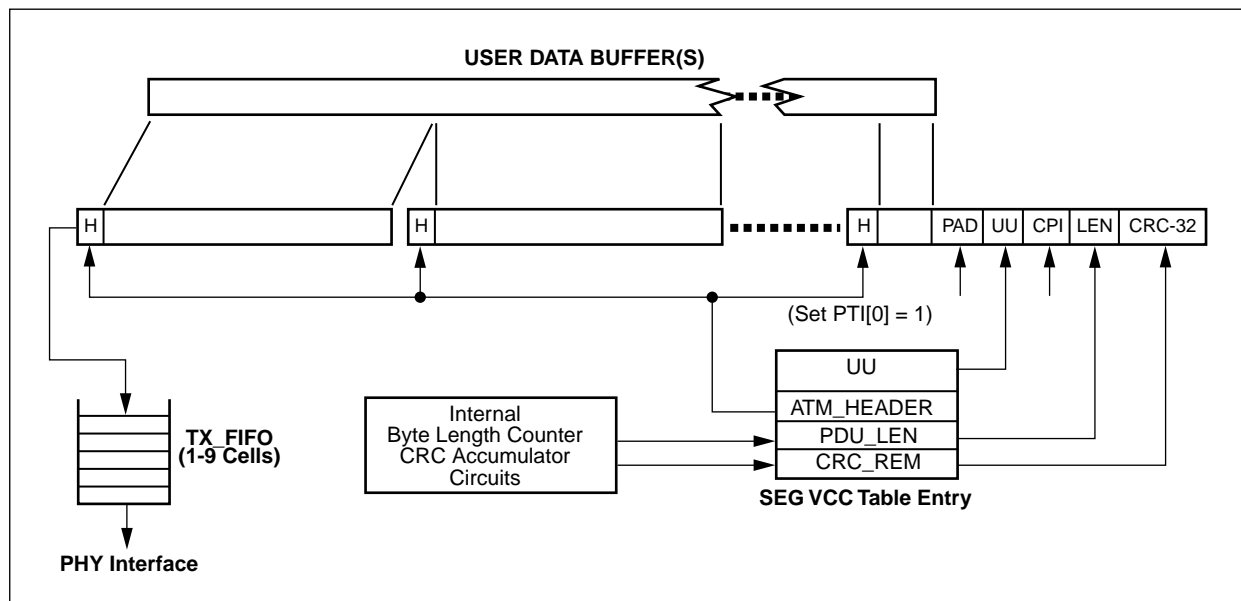
For AAL5, the SAR generates the CPCS-PDU trailer, and pads the CPCS-SDU to align the PDU to a cell boundary. The RS8234 generates the PAD, Length (LEN), Common Part Indicator (CPI), and Cyclic Redundancy Check (CRC) fields according to I.363. The host supplies the CPCS User-to-User Indication (UU) field in the first buffer descriptor in a message, and the RS8234 transmits it following I.363.

The SAR generates the ATM header according to host-initialized settings in the VCC Table Entry. The RS8234 terminates AAL5 PDUs by setting bit zero of the Payload Type Identifier field, PTI[0] = 1.

The host aborts PDUs by activating an EOM SBD abort option. The host activates this by setting the following fields in the SEG buffer descriptor entry to these values: AAL_MODE = AAL5 (b00), and AAL_OPT = ABORT (b01).

[Figure 4-5](#) shows the RS8234's AAL5 PDU generation scheme. The SAR uses internal circuits to generate and store PDU length and CRC-32 in the SEG VCC Table. The RS8234 transmits these fields within the EOM cell. The PAD and CPI fields are generated internally.

Figure 4-5. AAL5 CPCS-PDU Generation



4.2.3.2 AAL3/4 When a segmentation buffer descriptor's AAL_MODE field is set to AAL3/4 (value = b10), the RS8234 generates the CPCS-PDU's CPI, Btag, Etag, BAsize, Alignment (AL), and Length fields in the header and trailer of the CPCS-PDU, and pads the PDU to align to a cell boundary.

On the first cell of a buffer with BOM set, the segmentation coprocessor generates the CPCS-PDU header fields as the first four bytes of the first SAR-PDU's payload.

On the last cell of a buffer with EOM set, the segmentation coprocessor writes an all-zeros PAD field after the end of the segmentation buffer data to complement the CPCS-PDU payload to an integral number of four-byte words. The segmentation coprocessor then adds the four-byte CPCS-PDU trailer and then fills octets with zeros for the remainder of the SAR-PDU payload.

Each CPCS-PDU field is generated as shown in [Table 4-2](#).

Table 4-2. AAL3/4 CPCS-PDU Field Generation

Field	# Bits	Function
CPI	8	Common Part Identifier; set to zero.
BTAG	8	Beginning Tag; read from SEG VCC Table entry.
BASIZE	16	Buffer Allocation Size; read from SEG Buffer Descriptor entry.
AL	8	Alignment Filler, aligns the trailer to fit a 32-bit word.
ETAG	8	Ending Tag; read from SEG VCC Table entry.
LENGTH	16	CPCS-PDU Length; the calculated size of the PDU's payload.

The RS8234 also generates the SAR-PDU's Segment Type (ST), Sequence Number (SN), Message Identification (MID), Length Indication (LI) and CRC fields in each segmented cell for that CPCS-PDU.

Each AAL3/4 cell carries 44 octets of payload and four octets (five fields) of header and trailer information. On the last generated cell for a CPCS-PDU with the EOM set in the buffer descriptor, the segmentation coprocessor will pad the SAR-PDU payload with 0 to 44 bytes.

Each SAR-PDU field is generated as shown in [Table 4-3](#).

Table 4-3. AAL3/4 SAR-PDU Field Generation

Field	# Bits	Function
ST	2	<ul style="list-style-type: none"> BOM value for the first cell generated from the buffer with the BOM option in the buffer descriptor set. EOM value for the last cell generated from the buffer with the EOM option in the buffer descriptor set. SSM value for the cell generated from the buffer with both BOM and EOM options in the buffer descriptor set, and the buffer descriptor LENGTH field ≤ 44. COM value for all other generated cells. (See the next table for Binary values.)
SN	4	Read from the SN field in the SEG VCC structure. The SN field is incremented modulo 16 after each use.
MID	10	Read from the MID field in the SEG VCC structure.
LI	6	Generated by the segmentation coprocessor in an internal byte length counter.
CRC	10	Generated as all zeros. The CRC field may be overwritten with the CRC-10 generator before transmission by setting the CRC_10 option in the seg buffer descriptor.

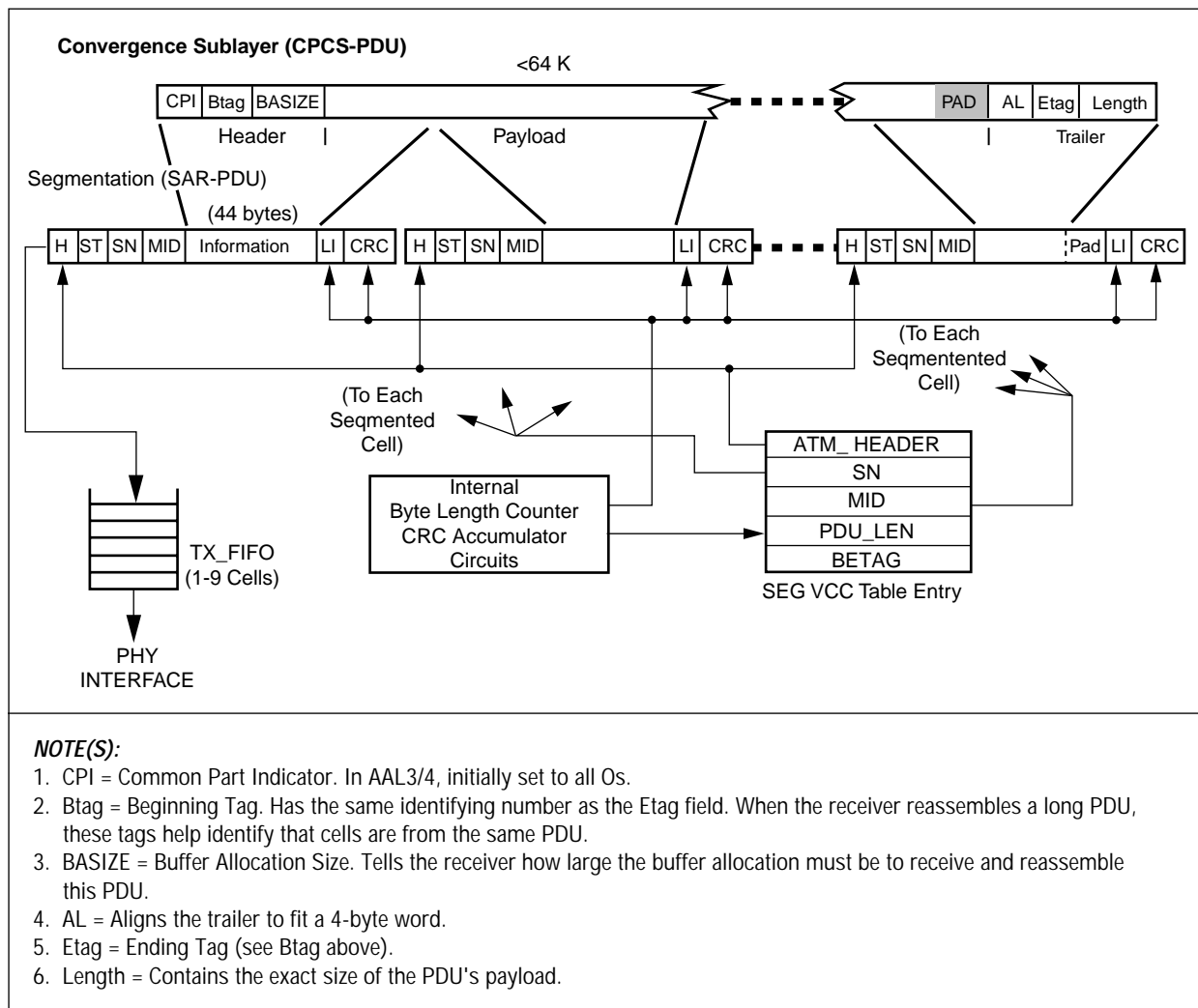
[Table 4-4](#) shows the settings for the ST (Segment Type) field.

Table 4-4. Coding of Segment Type (ST) Field

Segment Type	Encoding	Usage
BOM	10	Beginning of Message
COM	00	Continuation of Message
EOM	01	End of Message
SSM	11	Single Segment Message

Figure 4-6 shows the RS8234's AAL3/4 PDU generation scheme.

Figure 4-6. AAL3/4 CPCS-PDU Generation



100074_021

- 4.2.3.3 AAL0** The RS8234 also supports a transparent or NULL adaptation layer, AAL0. AAL0 maps CPCS-SDUs directly to CPCS-PDU payloads. The SAR pads the SDU to a 48-byte cell payload boundary, but generates no other overhead. The SAR generates the ATM header and PDU termination indications in the same manner as it does with AAL5.

4.2.4 ATM Physical Layer Interface

Once the segmentation coprocessor has formed an ATM cell, the RS8234 transfers the cell to the transmit FIFO. The user chooses the length of this FIFO, with possible sizes from one to nine cells. The FIFO depth is programmable, since there is a trade-off between absorbing PCI latency with a longer FIFO, and introducing greater jitter. Section 6.2.3.3 discusses this trade-off in greater depth. Once sent to the transmit FIFO, the cell passes through the FIFO to the PHY layer interface circuits.

4.2.5 Status Reporting

The RS8234 informs the host of segmentation completion using segmentation status queues. The host assigns each VCC to one of 32 status queues, enabling a multiple peer architecture as described in [Section 3.2](#). The RS8234 reports status entry on either PDU or buffer boundaries, selectable on a per-VCC basis by setting the `STM_MODE` bit. PDU boundary status is referred to as Message Mode, while buffer status reporting is called Streaming Mode. Error conditions also generate status queue entries, though this is a rare occurrence within a RS8234 subsystem's segmentation block. The segmentation status queues operate according to the write-only host interface, defined in [Section 3.3.2](#).

The RS8234 returns a user supplied field (`USER_PNTR`) from the first SBD associated with the status entry. The SAR does not use this field for any internal purpose; it simply circulates the information back to the host. The value of `USER_PNTR` must uniquely describe the segmented buffer associated with the SBD. `USER_PNTR` may contain the address of the buffer or of a host data structure describing the buffer. To simplify host management, the RS8234 also returns the `VCC_INDEX` of the VCC on which the buffer was transmitted.

4.2.6 Virtual FIFOs

In addition to gathering PDU data from buffers, the RS8234 provides an optional method to segment from a fixed PCI address, or Virtual FIFO. The RS8234 supports AAL0, CBR Virtual FIFO segmentation.

The host configures the channel for Virtual FIFO operation by setting the `CURR_PNTR` and `RUN` fields to zero in the SEG VCC Table entry. The host writes the FIFO address to the `FIFO_PNTR` field in the VCC Table entry. The host also initially sets the `SCH_MODE` field = CBR.

At this point, the host can start writing cells to the external host transmit FIFO. Once the FIFO is almost full, the host sets the `RUN` bit to a logic high. The SAR will then start reading from the FIFO. When the FIFO gets below almost empty, the host will set the `SCH_OPT` bit to a logic high. The SAR will then skip a cell transmit opportunity in order to allow the FIFO to refill. After the SAR skips a cell, it will reset the `SCH_OPT` bit to a logic low.

In this mode, the segmentation coprocessor reads 48 bytes of payload from the host FIFO, and prepends (i.e., attaches to the beginning) the `ATM_HEADER` value in the VCC Table entry. The host does not use the transmit queue for Virtual FIFOs. The RS8234 transmits cell payloads from this location indefinitely, with no status reporting.

4.3 Segmentation Control and Data Structures

4.3.1 Segmentation VCC Table Entry

Each Segmentation VCC Table entry occupies one 10-word descriptor of the Segmentation VCC Table. The first seven words are generic, independent of traffic class. The last 3 or 13 words provide additional parameters specific to service classes.

There are two basic formats for the generic part of the VCC Table Entry: AAL3/4-AAL5-AAL0, and Virtual FIFO. Each completely describe the state of the segmentation process for individual VCCs. [Table 4-7](#) and [Table 4-8](#) describe the format of AAL3/4, AAL5, and AAL 0 VCC Table Entries.

KEY:

	= Written by host at VCC setup
	= May be dynamically modified during active segmentation

Table 4-5. Segmentation VCC Table Entry - AAL3/4-AAL5-AAL0 Format

Word	31	30	29	28	27	26	25	24	23	22	21	20	19	18	17	16	15	14	13	12	11	10	9	8	7	6	5	4	3	2	1	0
0	PM_INDEX							Rsvd	ACK_PM	FWD_PM	Rsvd	LAST_PNTR																				
1	UU								Rsvd			BOM_PNTR																				
2	ATM_HEADER																															
3	PDU_LEN																BUFFER_LEN															
4 ⁽¹⁾	CRC_REM																															
4 ⁽²⁾	Reserved								BETAG								Rsvd	SN				MID										
5	STM_MODE	STAT							PM_LEN	LAST_CLP	RUN	NX_EOM	Rsvd	CURR_PNTR																		
6	SCH	BCK_PM	VPC	SCH_GFR/CBR_W_TUN	FLOW_ST	GFR_PRI	SCH_MODE				PRI				SCH_OPT	NEXT_VCC																
7-9/19	SCH_STATE																															
NOTE(S):																																
(1) This word is used for AAL5 and AAL0 VCCs.																																
(2) This word is used for AAL3/4 VCCs.																																

Table 4-6. Segmentation VCC Table Entry - AAL3/4, 5, and 0 Field Descriptions (1 of 2)

Field Name	Description
PM_INDEX	Performance Monitoring index. 128 VCCs may be selected for automatic OAM PM generation. Each monitored VCC has a unique performance monitoring index. If this field is changed while the VCC is active, only the byte containing the field should be written. (See Chapter 6.0).
ACK_PM	Toggled after each backward reporting PM cell is sent. Used to prevent PM information in PM table from being overwritten before cell is sent.
FWD_PM	Indicates that next cell should be a forward monitoring PM cell.
LAST_PNTR	Points to last buffer descriptor currently linked to the VCC. The two least significant bits of the pointer are assumed to be zero (word-aligned). The address of the buffer descriptor is (LAST_PNTR << 2) or (LAST_PNTR * 4).
UU	AAL5 User-to-User indication. This field is copied from the buffer descriptor UU field. The RS8234 inserts the UU field in the CPCS-PDU trailer contained in the EOM cell.
BOM_PNTR	In Message mode (STM_MODE=0), points to the first buffer descriptor of a message composed of more than one buffer descriptor. The RS8234 returns the corresponding USER_PNTR from this buffer descriptor in the status queue. In Streaming mode (STM_MODE=1) it is not used. The two least significant bits of the pointer are assumed to be zero (word-aligned). The address of the buffer descriptor is (BOM_PNTR << 2) or (BOM_PNTR * 4).
ATM_HEADER	Used for each ATM cell for the VCC. The transmitted header may be modified by option bits in the current buffer descriptor.
PDU_LEN	CPCS-PDU Trailer Length field. This field is generated by the SAR and inserted in the Length field of the EOM cell.
BUFFER_LEN	Buffer Length. The number of bytes of data read from the current segmentation buffer.
CRC_REM	Accumulated value of AAL5 32-bit CRC, calculated on-the-fly by the SRC and appended to the PDU at EOM.
BETAG	AAL3/4 Btag and Etag fields.
SN	AAL3/4 Sequence Number field.
MID	AAL3/4 Message Id field.
STM_MODE	Streaming Status Mode. 0 = Message Mode: a status entry is written (with a corresponding maskable interrupt) only when the last buffer in a message completes segmentation. The status entry written corresponds to the first buffer descriptor in the message. 1 = Streaming Mode: a status entry is written (with a corresponding maskable interrupt) for each buffer as it completes segmentation.
STAT	Identifies the Segmentation Status Queue used for all status entries.
PM_EN	Enables performance monitoring for the VCC. If this bit is changed while the VCC is active, only the byte containing the bit should be written. (See Chapter 6.0 .)
LAST_CLP	Last transmitted CLP bit for VCC. This bit is updated by the SRC after each transmitted cell. This bit is in the same word as the PM_EN bit, and is copied by the SAR from the current buffer descriptor. The bit is used to select the correct VBR bucket for certain VBR VCCs.

Table 4-6. Segmentation VCC Table Entry - AAL3/4, 5, and 0 Field Descriptions (2 of 2)

Field Name	Description
RUN	Flag that indicates that segmentation is proceeding. This flag is set to one by the SAR when the host supplies data for the VCC; it is set to zero by the SAR when the data available for the VCC is not sufficient to send at entire ATM cell.
NX_EOM	Indicates that the next cell is the end of a CPCS-PDU.
CURR_PNTR	Pointer to the current buffer descriptor for the VCC. This field is automatically updated by the SAR. The two least significant bits of the pointer are assumed to be zero (word-aligned). The address of the descriptor is (CURR_PNTR << 2) or (CURR_PNTR * 4).
SCH	Indicates VCC is currently scheduled for segmentation.
BCK_PM	Toggled after each backward reporting PM cell is scheduled. Used to prevent PM information in PM table from being overwritten before cell sent.
VPC	On a VCC with SCH_MODE = ER, indicates a VPC (Virtual Path Connection) instead of VCC connection, and RM cells will be generated on VCI=6.
SCH_GFR/ CBR_W_TUN	If SCH_MODE = GFR, this bit set to a logic high indicates that the VCC is currently scheduled on a GFR_PRI priority queue for segmentation. The SCH bit set to a logic high indicates that the VCC is currently scheduled on a VBR priority queue. The Host does not have to set this bit - it is set by the SAR. If SCH_MODE = CBR, this bit set to a logic high specifies that an unused CBR schedule slot should be used as a tunnel slot, with tunnel priorities specified in word 7 of the VCC table entry.
FLOW_ST	Flow control state. This bit is active only in ER mode. Indicates that the priority of the connection is increased to insure MCR.
GFR_PRI	Specifies the UBR priority level for a GFR service connection. GFR_PRI must be < PRI
SCH_MODE	Traffic class of VCC. (See Chapter 6.0 for details.) 000 UBR - Unspecified Bit Rate 001 CBR - Constant Bit Rate 010 Reserved 011 GFR - Guaranteed Frame Rate 100 VBR1 - Single Leaky Bucket VBR 101 VBR2 - Dual Leaky Bucket VBR with both buckets always active 110 VBRC - Dual Leaky Bucket VBR with bucket 1 applied only to CLP=0 cells 111 ABR - Available Bit Rate (as specified by TM 4.1)
PRI	Segmentation priority. The lowest priority is zero. The highest priority is fifteen. This field is not active when SCH_MODE is CBR. When SCH_MODE is GFR, this specifies the VBR priority.
SCH_OPT	Schedule option. The use of this bit depends on the setting of the SCH_MODE field. VBR1, VBR2, VBRC, ER: Initializes bucket state to send maximum burst. The SAR writes this bit to zero after bucket state initialized. CBR: Indicates that the next cell slot opportunity should be skipped. This bit is written by the host and cleared by the SAR after the cell slot is skipped. If this bit is changed while the VCC is active, only the byte containing the bit should be written. See the Traffic Management Chapter for details.
SCH_STATE	Specific scheduling state information. The contents of this field depend on the setting of the SCH_MODE field. It is not used when SCH_MODE is set to UBR. (The contents of this field are detailed in Chapter 6.0 .)
NEXT_VCC	Used by SAR to link VCCs in schedule chains.

Table 4-7 shows the format for Virtual FIFO VCC Table Entries, including setup values for restricted fields. Table 4-8 describes the field that differs from the AAL3/4-AAL5-AAL0 format.

Table 4-7. Segmentation VCC Table Entry — Virtual FIFOs

Word	31	30	29	28	27	26	25	24	23	22	21	20	19	18	17	16	15	14	13	12	11	10	9	8	7	6	5	4	3	2	1	0
0	PM_INDEX							Rsvd					LAST_PNTR																			
1	Reserved								Rsvd				BOM_PNTR																			
2	ATM_HEADER																															
3	FIFO_PNTR																															
4	CRC_REM																															
5	STM_MODE	STAT						PM_EN	Rsvd	RUN=1	Rsvd	CURR_PNTR= 0x00000																				
6	Reserved								SCH_MODE (=001 - CBR)				PRI	SCH_OPT	Reserved																	
7-9/19	SCH_STATE																															

Table 4-8. Segmentation VCC Table Entry — Virtual FIFO Format Field Descriptions

Field Name	Description
FIFO_PNTR	Pointer to the PCI space data FIFO for CBR_FIFO scheduling mode.

4.3.2 Data Buffers

Data buffers contain CPCS-SDUs for segmentation and reside in host or SAR shared memory. The RS8234 retrieves host data buffers from any byte aligned PCI address using the “READ Multiple” PCI command. SAR shared data buffers must be aligned on word boundaries. Buffers contain any number of bytes of only user data, up to a maximum of 64 KB.

4.3.3 Segmentation Buffer Descriptors

SBDs reside in SAR shared memory on word aligned addresses. The host controls the allocation and management of SBDs. For each buffer to be segmented, the host uses one buffer descriptor from its pool of free descriptors.

Table 4-9 through Table 4-13 describe the entry formats and field definitions for the SBDs.

Table 4-9. Segmentation Buffer Descriptor Entry Format

Word	31	30	29	28	27	26	25	24	23	22	21	20	19	18	17	16	15	14	13	12	11	10	9	8	7	6	5	4	3	2	1	0
0 ⁽¹⁾	UU								Rsvd	NEXT_PNTR																Rsvd						
0 ⁽²⁾	BASIZE_H								Rsvd	NEXT_PNTR																Rsvd						
1	USER_PNTR																															
2	BUFFER_PNTR																															
3	Rsvd	LOCAL	SET_CI	SET_CLP	HEADER_MOD	RPL_VCI	OAM_STAT	GEN_PDU	CRC10	AAL_MODE	AAL_OPT	CELL	BOM	EOM	LENGTH																	
4	MISC_DATA														SEG_VCC_INDEX																	
NOTE(S):																																
(1) This version of word 0 is used for AAL5 and AAL0 VCCs.																																
(2) This version of word 0 is used for AAL3/4 VCCs.																																

Table 4-10. MISC_DATA Field Bit Definitions with HEADER_MOD Bit Set

Bit	31	30	29	28	27	26	25	24	23	22	21	20	19	18	17	16	
Def.	GFC_DATA				Rsvd		WR_GFC	WR_PTI	WR_VCI	PTI_DATA				VCI_DATA			
NOTE(S): This definition of bits 31:16, MISC_DATA field, applies when the HEADER_MOD bit is set, RPL_VCI=0, and AAL_MODE is not = AAL3/4; used when generating OAM cells.																	

Table 4-11. MISC_DATA Field Bit Definitions with RPL_VCI Bit Set

Bit	31	30	29	28	27	26	25	24	23	22	21	20	19	18	17	16
Def.	NEW_VCI															
NOTE(S): This definition of bits 31:16, MISC_DATA field, applies when the RPL_VCI bit is set; used when identifying virtual channels under a VP VCC.																

Table 4-12. MISC_DATA Field Bit Definitions with AAL_MODE Set to AAL3/4

Bit	31	30	29	28	27	26	25	24	23	22	21	20	19	18	17	16
Def.	GFC_DATA				Rsvd		WR_GFC	Rsvd	BASIZE_L							
NOTE(S): This definition of bits 31:16, MISC_DATA field, applies when the AAL_MODE field = AAL3/4 and RPL_VCI = 0. In order to activate GFC override, the HEADER_MOD bit must be set to a logic high.																

Table 4-13. Segmentation Buffer Descriptor Field Descriptions (1 of 3)

Field Name	Description
UU	AAL5 User-to-User indication. This field is copied to the VCC Table Entry UU field when BOM is set and AAL_MODE is AAL5.
BASIZE_H	The high order bits used for the BASize field in the AAL3/4 header when the GEN_PDU option is selected.
BASIZE_L	The low order bits used for the BASize field in the AAL3/4 header when the GEN_PDU option is selected.
NEXT_PNTR	Pointer to next buffer descriptor for the VCC. The two least significant bits of the pointer are assumed to be zero (word-aligned). The host links segmentation buffer descriptors by writing this field to [(ADDRESS of SDB)>>2] or [(ADDRESS of SDB)/4] before submitting the chain on the Transmit Queue. The NEXT_PNTR of the last buffer descriptor in a chain is set to NULL (=0).
USER_PNTR	User data field returned in status entry. This field may equal BUFFER_PNTR. The SAR circulates this field back to the host in the status entry without using it internally.
BUFFER_PNTR	Pointer to segmentation buffer in host or SAR shared memory space. Host or SAR shared memory location is determined by the LOCAL bit.
LOCAL	0 - BUFFER_PNTR is a byte aligned PCI address. 1 - BUFFER_PNTR is a word aligned address in SAR shared memory instead of host memory.
SET_CI	0 - The RS8234 generates bit 1 of PTI[2:0] from the VCC Table Entry ATM_HEADER field. 1 - Sets bit 1 of the ATM header PTI[2:0] field for all cells in buffer to one.
SET_CLP	0 - The RS8234 generates the CLP bit from the VCC Table Entry ATM_HEADER field. 1 - Sets the ATM header CLP bit for all cells in buffer to one. Also used to control VBR CLP Dual Leaky Bucket mode.
HEADER_MOD	0 - The RS8234 ignores the WR_GFC, WR_PTII, and WR_VCI bits in this buffer descriptor. 1 - Activates the WR_GFC, WR_PTII, and WR_VCI bits for this buffer descriptor.

Table 4-13. Segmentation Buffer Descriptor Field Descriptions (2 of 3)

Field Name	Description
RPL_VCI	0 - The RS8234 generates the VCI field from the VCC Table Entry ATM_HEADER field. 1 - The RS8234 generates the VCI field from the NEW_VCI for all cells in the buffer. NEW_VCI will also be copied in to the VCI portion of the ATM_HEADER field in the VCC entry.
OAM_STAT	Buffer will report status to the global OAM Status Queue SEG_CTRL(OAM_STAT_ID) instead of the STAT specified in the VCC Table Entry. For Message mode VCCs (VCC Table Entry STM_MODE = 0), the OAM_STAT bit of the last descriptor for the CPCS-PDU determines which queue to use (even though the first descriptor is returned in message mode). See Chapter 7.0 for more details.
GEN_PDU	1 - Generate AAL3/4 header and trailer, or AAL5 trailer. In AAL3/4 mode, the SAR-PDU is always generated internally.
CRC10	Overwrite last ten bits of each cell with CRC10 calculation. Used for OAM and AAL3/4 cells.
AAL_MODE	Controls AAL segmentation mode. 00 AAL5 01 AAL0—Read 48-octet ATM cell payload from segmentation buffer. Only formatting is to set PTI[0] on last cell of an EOM buffer. 10 AAL3/4 11 Rsvd
AAL_OPT	Options for AAL_MODE: For AAL_MODE = AAL0 00 Normal operation 01 SINGLE 10 Rsvd 11 Rsvd For AAL_MODE = AAL3/4 or AAL5 00 Normal operation 01 ABORT SINGLE:LENGTH is ignored and 48 octets are read from buffer to form the payload of a single ATM cell. VCC Table Entry CRC_REM, BUFF_LENGTH, and PDU_LENGTH are not affected. By using the LINK_HEAD bit in the transmit entry, the buffer descriptor is linked at start of buffer descriptor chain for VCC. This means that there are no concerns with mid-cell insertion and that the cell will have low latency. This is intended for OAM cells. NOTE: This option MUST be set in the buffer descriptor for any Tx Queue entry with LINK_HEAD set. To do otherwise may result in corrupted SEG data. ABORT:Send AAL3/4 or AAL5 ABORT cell (no data is read from segmentation buffer). A buffer that has both ABORT and BOM set is returned without sending an abort cell.
CELL	0 - RS8234 reads the 48 octet payload of ATM cells from memory and generates the ATM header internally. 1 - The RS8234 reads the entire 52-octet ATM cell from segmentation buffer. The ATM_HEADER stored in the VCC Table Entry is not used in this mode and AAL_MODE is ignored.
BOM	1 - Buffer contains the beginning of a message. (See Table 4-1.)
EOM	1 - Buffer contains the end of a message. (See Table 4-1.)
LENGTH	Number of bytes of data contained in the segmentation buffer. Local memory, non-EOM buffer lengths must be multiples of 4 bytes (mod 4). Maximum allowable size is 64 KB.
GFC_DATA	Data for WR_GFC option.

Table 4-13. Segmentation Buffer Descriptor Field Descriptions (3 of 3)

Field Name	Description
WR_GFC	0 - The RS8234 generates the GFC field from the VCC Table Entry ATM_HEADER field. 1 - The RS8234 overwrites the ATM header GFC field for all cells in the buffer with GFC_DATA. Global GFC changes (active for all buffers of VCC) can be set in the VCC Table Entry ATM header. This bit is active only when HEADER_MOD is set.
WR_PTI	0 - The RS8234 generates the PTI field from the VCC Table Entry ATM_HEADER field. 1 - The RS8234 overwrites the ATM header PTI field for all cells in the buffer with PTI_DATA. The host may use this feature to generate F5 and PM OAM cells. See Chapter 7.0 . This bit is active only when HEADER_MOD is set. This bit disables PM TUC and BIP16 calculations.
WR_VCI	0 - The RS8234 generates the VCI field from the VCC Table Entry ATM_HEADER field. 1 - The RS8234 overwrites the ATM header VCI field for all cells in the buffer with (0x0000 VCI_DATA). (MSBs of VCI are set to zero.) Used to generate F4 OAM cells. (See Chapter 7.0 .) This bit is active only when HEADER_MOD is set. This bit disables PM TUC and BIP16 calculations.
PTI_DATA	Data for WR_PTI option. Normally used to generate OAM cells.
VCI_DATA	Data for WR_VCI option. Normally used to generate OAM cells.
NEW_VCI	Data for the RPL_VCI. The RS8234 overwrites the VCC Table Entry ATM_HEADER VCI field with this data. Therefore, the effect is permanent until the next buffer descriptor with RPL_VCI is processed.
SEG_VCC_INDEX	Identifies the VCC Entry in the VCC Table. The RS8234 links this buffer descriptor to the identified VCC.

4.3.4 Transmit Queues

4.3.4.1 Entry Format The host submits chains of SBDs to the RS8234 by writing a single word transmit queue entry. [Table 4-14](#) and [Table 4-15](#) describe the format of these entries.

Table 4-14. Transmit Queue Entry Format

Word	31	30	29	28	27	26	25	24	23	22	21	20	19	18	17	16	15	14	13	12	11	10	9	8	7	6	5	4	3	2	1	0
0	VLD	LINK_HEAD	FIND_CHAIN	Rsvd								SEG_BD_PNTR																Rsvd				

Table 4-15. Transmit Queue Entry Field Descriptions

Field Name	Description
VLD	0 - Entry invalid. Waiting for the host to submit new data for segmentation. 1 - Entry valid. The SAR will process the entry when its read pointer into the queue advances to this entry. Written to one by the host when submitting a new entry. The SAR clears this bit to zero when it has successfully linked the buffer descriptor chain to the VCC Table.

Table 4-15. Transmit Queue Entry Field Descriptions

Field Name	Description
LINK_HEAD	0 - The RS8234 links the new descriptor chain at the end of the existing chain on the VCC. 1 - The RS8234 links the new descriptor chain at the head of the existing chain. If this bit is set, the buffer must contain data for at least one cell. Only a single buffer descriptor may be linked to a transmit queue entry when this bit is set. This bit is intended for use with the buffer descriptor SINGLE option to send in line management cells with reduced latency. NOTE: It is mandatory that the SINGLE option is set in the buffer descriptor for any Tx Queue entry with LINK_HEAD set. To do otherwise may result in corrupted segmentation data.
FIND_CHAIN	Indicates the SAR is searching for the end of the buffer descriptor chain. The host always writes this bit to zero.
SEG_BD_PNTR	Points to the first buffer descriptor in the new buffer descriptor chain. Bits 22:2 of the address are specified; the two least significant bits of the pointer are assumed to be zero (word-aligned).

4.3.4.2 Transmit Queue Management

The transmit queues reside in a single continuous section of SAR shared memory. During initialization the host configures the number of entries per queue with the SEG_CTRL(TR_SIZE) field. The size ranges from 64 to 4,096 entries per queue. The host also selects a priority scheme at initialization with the SEG_CTRL(TX_RND) bit. Both of these fields are static configurations and must not be changed during runtime operation.

By initializing the SEG_TXBASE register, the host determines the base address of all active transmit queues. This register contains the base address of the first queue, the number of active queues, and the write-only update interval for all queues. A set of other internal registers, the Transmit Queue Base Table entries, track the current state of the queues. Table 4-16 and Table 4-17 below describe the fields of these queues.

The byte address of any transmit queue entry is given by:

$$(\text{SEG_TXBASE}(\text{SEG_TXB}) \times 128) + \langle \text{transmit queue number} \rangle \times \langle \text{decoded TQ_SIZE value} \rangle + \langle \text{entry number} \rangle \times 4$$

The host manages each transmit queue as an independent write-only control queue. Chapter 3.0 describes the runtime management of a write-only control queue. The transmit queue base table contains all of the queue control variables except for INTERVAL, which is located in the SEG_TXBASE register.

Table 4-16. Transmit Queue Base Table Entry

Word	31	30	29	28	27	26	25	24	23	22	21	20	19	18	17	16	15	14	13	12	11	10	9	8	7	6	5	4	3	2	1	0
0	READ_UD_PNTR																Rsvd	LOCAL														
1	Rsvd								UPDATE								Rsvd				READ											

Table 4-17. Transmit Queue Base Table Entry Field Descriptions

Field Name	Description
READ_UD_PNTR	Points to READ_UD used by host to prevent queue overflow. The SAR will write its read pointer into the queue to this address periodically. (See Chapter 2.0 for details.)

Table 4-17. Transmit Queue Base Table Entry Field Descriptions

Field Name	Description
LOCAL	0 - READ_UD located in PCI address space. 1 - READ_UD located in SAR shared memory. Note: For write-only PCI host interfaces, this bit should be set low.
UPDATE	SAR position in update interval. Number of queue entries processed since last update of READ_UD.
READ	SAR read pointer. Represents the SAR's current position in the transmit queue.

4.3.5 Segmentation Status Queues

4.3.5.1 Entry Format The RS8234 reports segmentation to the host on 1 of 32 status queues. Each entry on the queue is two words. Table 4-18 and Table 4-19 describe the format of these entries.

Table 4-18. Segmentation Status Queue Entry

Word	31	30	29	28	27	26	25	24	23	22	21	20	19	18	17	16	15	14	13	12	11	10	9	8	7	6	5	4	3	2	1	0
0	USER_PNTR																															
1	VLD	Rsvd	STOP	DONE	SINGLE	OVFL	I_EXP					I_MAN	Rsvd				SEG_VCC_INDEX															

Table 4-19. Segmentation Status Queue Entry Field Descriptions

Field Name	Description
USER_PNTR	Copy of the USER_PNTR from the segmentation buffer descriptor. The SAR circulates this field from the SBD without using it internally. In Message Mode, the SAR returns the USER_PNTR of the BOM buffer. In Streaming Mode, the SAR returns the USER_PNTR of all buffers.
VLD	0 - Entry invalid. Indicates that the SAR has not written the entry and the host should halt status processing. 1 - Entry valid. Indicates that the host may process the entry. Written to one by the SAR. Written to zero by the host.
STOP	VCC has stopped because no more segmentation data is available.
DONE	Set when buffer segmentation is complete and buffer is released to host.
SINGLE	Set if SINGLE option is set in the segmentation buffer descriptor.
OVFL	Overflow: status entry is last entry available. (See Status Queue Overflow, below.)
I_EXP	Current I_EXP rate parameter of the VCC. This field is written only when VCC_INDEX(SCH_MODE) = ABR. (See Chapter 6.0.)
I_MAN	The two MSBs of the current I_MAN rate parameter for the VCC. This field is written only when VCC_INDEX(SCH_MODE) = ABR. (See Chapter 6.0.)
SEG_VCC_INDEX	Segmentation VCC index on which the SAR transmitted the buffer or PDU.

4.3.5.2 Status Queue Management At initialization, the host assigns the location and size of up to 32 queues by initializing internal registers, the segmentation status queue base table entries.

The location and size of each queue is independently programmable via these base tables.

The SAR tracks its current position and the most recent known host position in the queues with fields in the base table entries. The host manages the queues as write-only status queues. The status queue base table entry contains all of the SAR's write-only control variables.

Table 4-20 and Table 4-21 describe the format of these entries.

Table 4-20. Segmentation Status Queue Base Table Entry

Word	31	30	29	28	27	26	25	24	23	22	21	20	19	18	17	16	15	14	13	12	11	10	9	8	7	6	5	4	3	2	1	0
0	BASE_PNTR																Rsvd	LOCAL														
1	SIZE	Rsvd	WRITE						Rsvd	READ_UD																						

Table 4-21. Segmentation Status Queue Base Table Entry Field Descriptions

Field Name	Description
BASE_PNTR	Points (Bits 31:2) to base of status queue. Bits 1:0 are always zero (word aligned).
LOCAL	0 - Status queue located in PCI address space. 1 - Status queue located in SAR shared memory address space. This bit should be set to zero for a write-only PCI host architecture.
SIZE	Number of entries in this status queue: 00 = 64 01 = 256 10 = 1,024 11 = 4,096
WRITE	SAR write pointer. Represents the SAR's current position in the queue.
READ_UD	Last update of the host processor read pointer. This field is written by the host processor.

4.3.5.3 Status Queue Overflow

Since status queues contain a finite number of entries, it is possible that the SAR will exhaust the available entries. Although the SAR handles this condition, the host should attempt to prevent overflows.

The RS8234 detects when it writes the last available entry in a status queue ($WRITE=READ_UD-1$), and alerts the host to this condition by setting the OVFL bit in the status entry. Until the host services the queue and increments the READ_UD pointer in the base table register, the RS8234 inhibits segmentation on all channels that report on the overflowed status queue. All other channels are unaffected.

4.3.6 Segmentation Internal SRAM Memory Map

As indicated in [Table 4-22](#), the segmentation internal SRAM is in the address range 0x1400-0x17FF.

The segmentation status queue base table registers (SEG_ST_QUn) are in the address range 0x1400-0x14FF.

The internal transmit queue base table registers (SEG_TQ_QUn) are in the address range 0x1500-0x15FF.

Other internal segmentation and scheduler registers are in the address range 0x1600-0x17FF.

Table 4-22. Segmentation Internal SRAM Memory Map

Address	Name	Description
Segmentation Status Queue Base Table Registers (SEG_SQ_QUn):		
0x1400-0x1407	SEG_SQ_QU0	Status Queue 0 Base Table
0x1408-0x140F	SEG_SQ_QU1	Status Queue 1 Base Table
⋮	⋮	⋮
0x14F8-0x14FF	SEG_SQ_QU31	Status Queue 31 Base Table
Internal Transmit Queue Base Table Registers (SEG_TQ_QUn):		
0x1500-0x1507	SEG_TQ_QU0	Transmit Queue 0 Base Table
0x1508-0x150F	SEG_TQ_QU1	Transmit Queue 1 Base Table
⋮	⋮	⋮
0x15F8-0x15FF	SEG_TQ_QU31	Transmit Queue 31 Base Table
Further Internal Segmentation and Scheduler Registers:		
0x1600-0x17FF	Reserved	Not Implemented

5.0 Reassembly Coprocessor

5.1 Overview

The reassembly (RSM) coprocessor processes cells received from the ATM Physical Interface block. The coprocessor extracts the AAL SDU payload from the received cell stream and reassembles this information into buffers supplied by the host system. The RS8234 supports AAL5, AAL3/4, and AAL0 reassembly, as well as cell mode (1-cell PDUs through a Virtual FIFO, for CBR voice traffic).

The RS8234 reassembles up to 64 K VCCs simultaneously. Individual connections are identified through separate VPI and VCI Index Table structures. The VPI/VCI Index Table mechanism provides very fast consistent channel identification over the full range of VPI/VCI addresses.

CPCS-PDU payload data, the CPCS-SDU, fills the host-supplied data buffers assigned to each VCC. The host assigns each VCC to one or two of 32 independent buffer pools, from which the RSM coprocessor draws buffers as needed.

The RS8234 extracts the CPCS-SDU from the CPCS-PDU, writes the SDU to host-supplied buffers, and performs all CPCS-PDU checks. The results of these checks, as well as AAL information, are passed to the host on one of 32 independent status queues.

This chapter provides information on the functions and data structures of the reassembly coprocessor.

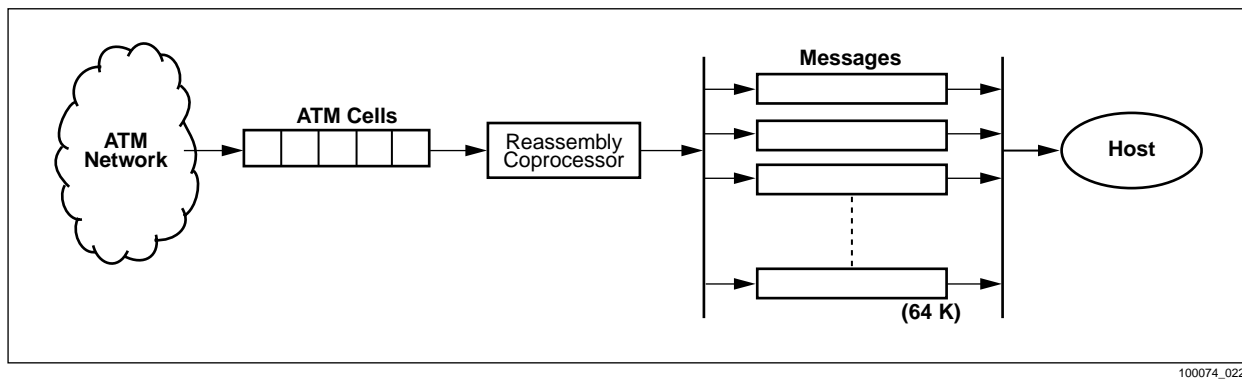
For detailed information on how the RS8235 handles PM cells, deals with OAM functions and interacts with the segmentation coprocessor in handling traffic management and scheduling, refer to [Chapter 6.0](#) and [Chapter 7.0](#).

5.2 Reassembly Functional Description

Each cell received from the ATM Physical Interface block belongs to any one of a possible 64 K virtual channels, or simultaneous messages. Due to the asynchronous nature of ATM, the cell contained in any incoming cell slot can belong to any VCC. Thus, the reassembly coprocessor must assign each arriving cell to the proper VCC, thereby demultiplexing the incoming messages.

Figure 5-1 illustrates the basic reassembly process flow.

Figure 5-1. Reassembly—Basic Process Flow



5.2.1 Reassembly VCCs

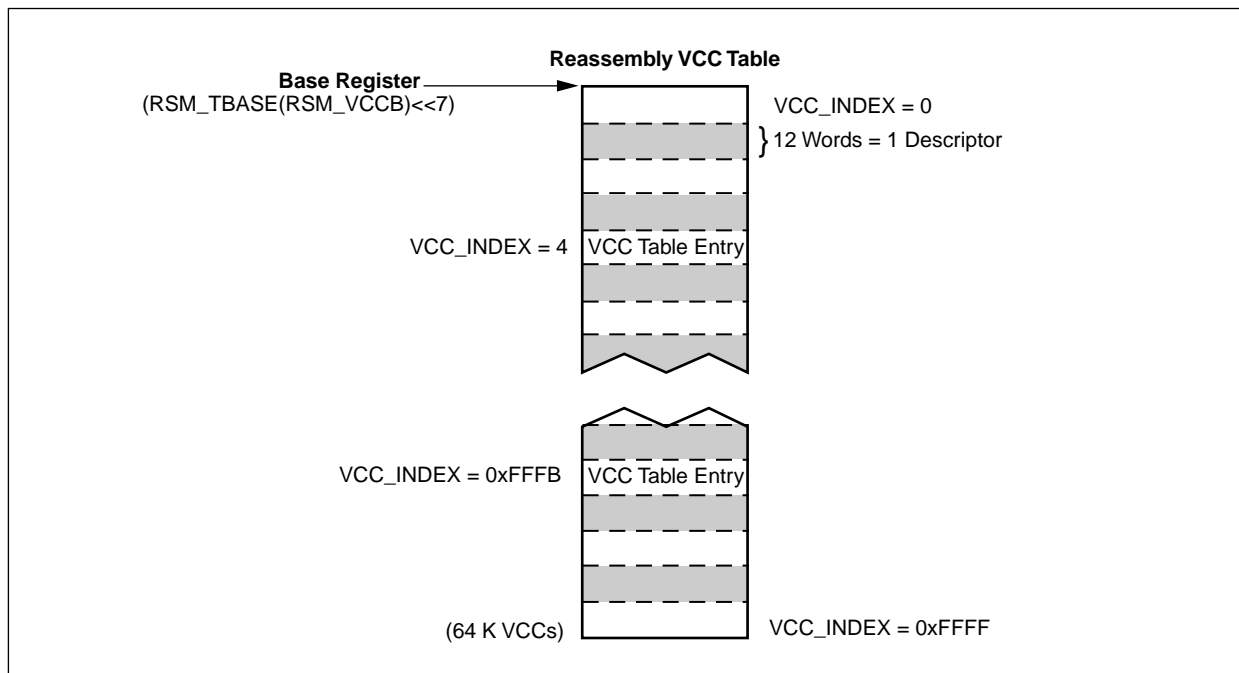
As with segmentation VCCs, the RS8234 supports up to 64 K reassembly VCCs, referenced by VCC_INDEX, which identifies a location in the reassembly VCC Table.

Each entry in the reassembly VCC Table consists of 12 words and describes a single VC. Each VC may be processed as either AAL5, AAL3/4, or AAL0. AAL0 VCs can optionally be treated as Virtual FIFOs.

While the RS8234 will accept any reassembly VCC Index within the range of 64 K VCC Indexes, the actual number of reassembly VCCs allowed by the SAR is limited by the amount of SAR shared memory available in which to allocate and create RSM VCC Tables, free buffer queues, RSM status queues, etc.

Figure 5-2 displays how entries in the RSM VCC Table are indexed by VCC_INDEX.

Figure 5-2. Reassembly VCC Table



100074_023

5.2.1.1 Relation to Segmentation VCCs

The reassembly VCC index assignment is independent from the assignment of segmentation VCC indexes. A full duplex connection can have a segmentation VCC_INDEX of 0x100, while its receive channel has a reassembly VCC_INDEX of 0x800. This is especially important when a VP is represented by a single segmentation VCC_INDEX, but each of its VCs is represented by its own distinct reassembly VCC Table entry.

For several operations, most notably ABR, the RS8234 provides a method to associate a reassembly VCC with a segmentation channel. The SEG_VCC_INDEX field in the reassembly VCC Table allows one or many reassembly channels to correlate to one specific segmentation VCC.

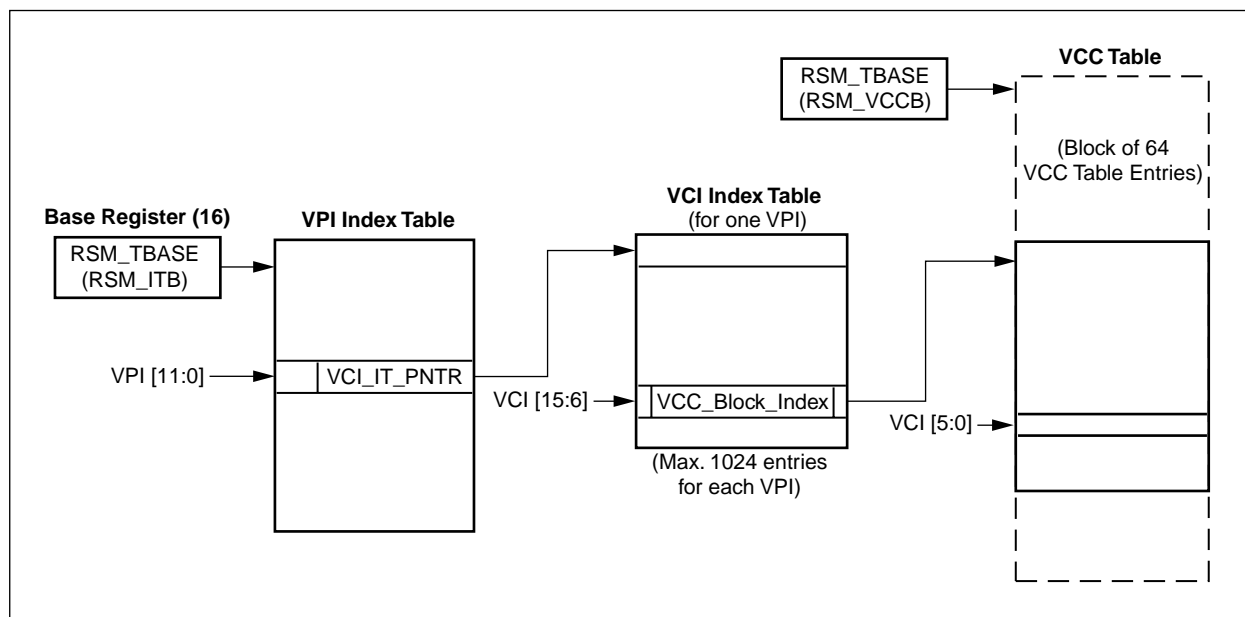
5.2.2 Channel Lookup

The RS8234's reassembly coprocessor implements a VPI/VCI Index Table mechanism using direct index lookup in order to assign each cell to a virtual channel, based on its VPI/VCI value. Each channel is thus identified by its internally generated index value, the VCC_INDEX.

This VPI/VCI Table Index mechanism dynamically maps VPI/VCI values to concatenated index values. It simplifies user channel assignment, provides flexible provisioning for received traffic, and provides fast, consistent lookup times regardless of the VPI/VCI values. In addition, using VPI/VCI table indexes minimizes the memory impact in preallocating large numbers of channels by requiring that only the VCI Index Table entries be preallocated instead of the VCC Table entries.

Figure 5-3 illustrates the direct index channel lookup mechanism.

Figure 5-3. Direct Index Method for VPI/VCI Channel Lookup



100074_024

5.2.2.1 Programmable Block Size for VCC Table/ VCI Index Table

Some users might have a requirement or desire to limit the amount of memory allocated to VPI/VCI channel lookup. To enable this, the RS8234 provides the user with the choice of enabling an alternative scheme for the memory allocation and table handling involved in the Direct Index Lookup mechanism. In this scheme, the user programs the size of the memory block of RSM VCC Table entries for all VCI Index table entries, to fit a range of 1–64 entries, instead of the default 64 entries.

Each RSM VCC entry requires 12 words of memory. By thus limiting the amount of memory space set aside for RSM VCCs, the total memory space required for VCC allocation can be substantially lessened.

To enable this scheme, set EN_PROG_BLK_SZ in the RSM_CTRL1 register to a logic high. The SAR will thus allocate block memory for VCC entries per VCI, based on the value entered in VCI_IT_BLK_SZ (RSM_CTRL1).

The data structures that facilitate this scheme are illustrated in Section 5.7.1. Figure 5-4 illustrates the alternate lookup mechanism.

Figure 5-4. Programmable Block Size Alternate Direct Index Method

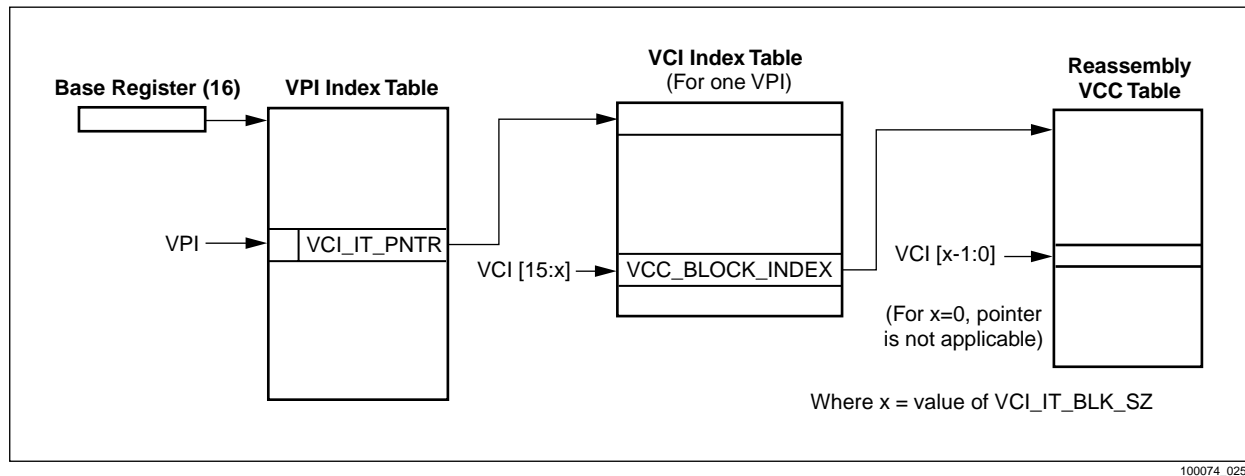


Table 5-1 shows the relationships of the values in VCI_IT_BLK_SZ, and the values for the number of VCI Index Table and VCC table entries per VCI.

Table 5-1. Programmable Block Size Values for Direct Index Lookup

Value of VCI_IT_BLK_SZ	Value of x	VCI Index Table Portion of Cell's VCI	Number of Possible VCI Index Table Entries per VPI	VCC Table Portion of Cell's VCI	Number of Possible VCC Entries per VCI Index Table Entry
000	0	VCI[15:0]	65,536	(No pointer)	1
001	1	VCI[15:1]	32,768	VCI[0]	2
010	2	VCI[15:2]	16,384	VCI[1:0]	4
011	3	VCI[15:3]	8,192	VCI[2:0]	8
100	4	VCI[15:4]	4,096	VCI[3:0]	16
101	5	VCI[15:5]	2,048	VCI[4:0]	32
110	6	VCI[15:6]	1,024	VCI[5:0]	64

5.2.2.2 Setup

At system initialization, the user configures the RS8234 to comply with either the 8-bit UNI VPI field or the 12-bit NNI VPI field, by setting the RSM_CTRL0 (VPI_MASK) bit to a logic high for UNI operation or a logic low for NNI operation. This configuration determines whether the RS8234 will treat the upper nibble of the first header octet of each received cell as the GFC field (in the UNI VPI definition), or as an extension of the VPI address. This gives an address range for VPIs of either 256 entries (for UNI) or 4096 entries (for NNI). This sets the VPI Index table size and dictates the number of VCI Index tables to be allocated.

The user can also enable the programmable block size for VCC Table entries as described in the section above, by setting EN_PROG_BLK_SZ(RSM_CTRL1) to a logic high.

At system initialization, the user can also limit the valid range of both VPI and VCI addresses to be processed, in order to reduce the memory size of the lookup structures being accessed. VPIs are limited by VP_EN; and VCIs are limited by VCI_RANGE in the VPI Index table entry, as well as BLK_EN in the VCI Index table entry when EN_PROG_BLK_SZ is enabled.

VPI/VCI address pairs can now be preallocated in groups by mapping VCI Index table entries to blocks in the reassembly VCC Table.

Once the reassembly process has been initiated, additional channels, Switched Virtual Circuits (SVCs), can be dynamically allocated with simple “on-the-fly” index updates.

5.2.2.3 Operation

Upon reception of a cell, the reassembly coprocessor uses the VPI field as an index into the VPI Index table, the base address of which is located at RSM_TBASE(RSM_ITB) x 0x80. The maximum allowed VPI value for UNI header operation is 255, and the maximum allowed VPI value for NNI operation is 4,095, controlled by the RSM_CTRL0(VPI_MASK) field. If the VPI_MASK bit is a logic high (indicating UNI header operation), the four most significant bits of the ATM header are ANDed with “0000”. The RSM coprocessor uses the VPI value to read the VPI Index table entry.

The VCI_RANGE field in the VPI Index table entry is used to set the maximum allowed value of VCI[15:x] values for that VPI, and thus sets the usable size of the VCI Index table for that VPI. If the value of VCI[15:x] of the received VCI field in the ATM header is greater than the VCI_RANGE field in the VPI Index table entry, or VP_EN is a logic low, the reassembly coprocessor discards the cell and increments the CELL_DSC_CNT counter.

The VCI_IT_PNTR indicates the base address of the VPI's VCI Index table. The RS8234 then reads the appropriate entry in the VCI Index table. The address of the VCI Index Table entry is derived as follows:

$$\text{VCI_IT_PNTR} \times 4 + \text{VCI}[15:x] \times 4$$

The VCC_BLOCK_INDEX in the VCI Index table entry selects a contiguous block of 64 reassembly VCC State Table entries (or from 1– 64 VCC State Table entries if EN_PROG_BLK_SZ is enabled), offset from the base address of the reassembly VCC Table. The VCC_INDEX value is derived by concatenating the VCC_BLOCK_INDEX value with the VCI[x-1:0] bits from the received cell header. Thus, VCI[x-1:0] from the received header points to the reassembly VCC State Table entry for that VCC.

$$\text{VCC_INDEX} = \text{VCC_BLOCK_INDEX} + \text{VCI}[x-1:0]$$

The reassembly coprocessor reads the first word of the VCC Table entry. If VC_EN is a logic low, the cell is discarded and the CELL_DSC_CNT counter is incremented. Optionally, the counter is not incremented if the AAL_TYPE field has a value of '11'. VC_EN allows idle cells to be filtered if the PHY layer has not already done so.

If the channel is active, the RS8234 increments the CELL_RCVD_CNT counter.

5.2.2.4 AAL3/4 Lookup

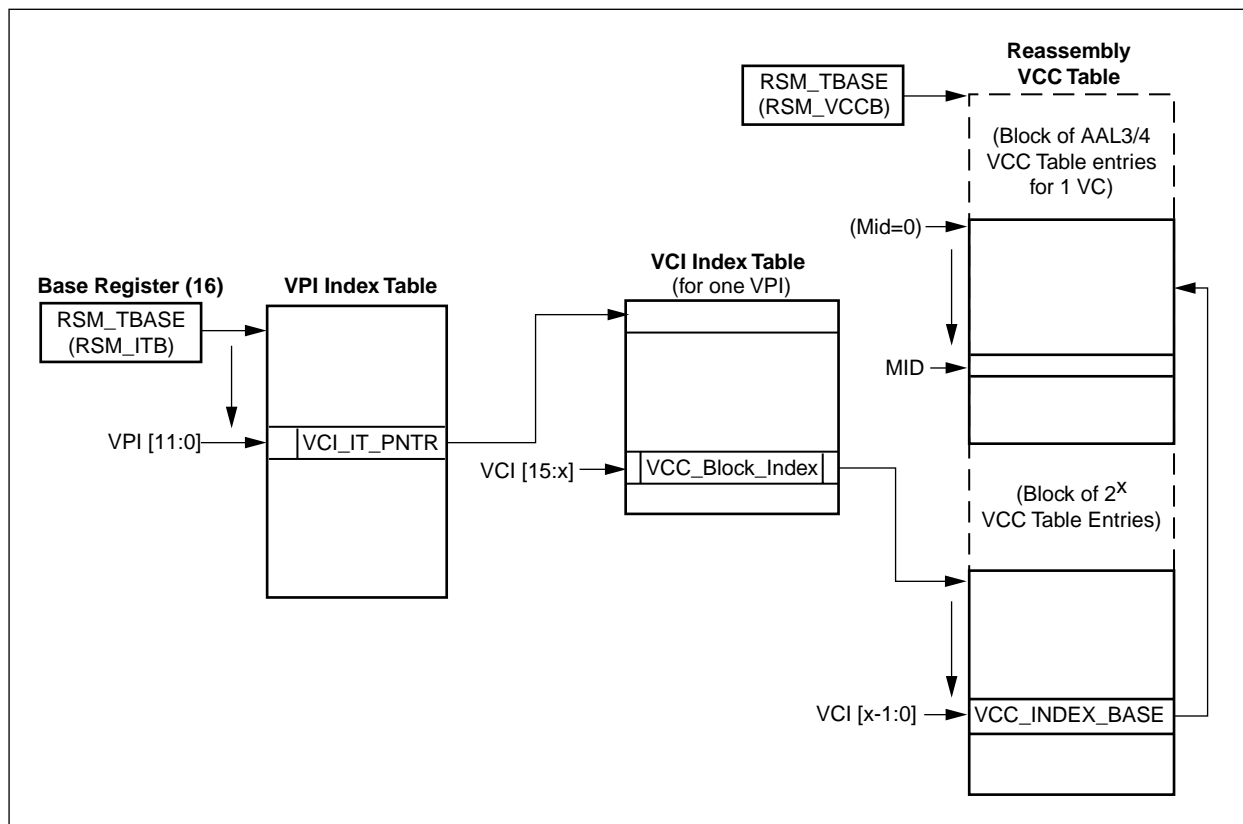
AAL3/4 MID multiplexing requires an additional level of indirection in channel lookup for received AAL3/4 traffic. This is due to the fact that one Virtual Connection can have a multiple number of connectionless messages (like SMDS datagrams) multiplexed onto that one received connection. Each of these long SDUs is identified by its MID value. Thus, the VCC lookup also includes the MID value in the lookup mechanism.

The VPI Index table and VCI Index table lookup is performed exactly as described in the previous section. However, for AAL3/4 connections, VCC_BLOCK_INDEX + VCI[5:0] points to an AAL3/4 Head RSM VCC Table entry (see Table 5-16).

That AAL3/4 Head entry contains the VCC_INDEX_BASE field which points to the first entry of a block of AAL3/4 entries for one Virtual Connection, with the MID value = 0.

VCC_INDEX_BASE + MID points to the RSM VCC table entry for the received cell's Virtual Connection and MID. The AAL3/4 lookup mechanism is illustrated in Figure 5-5.

Figure 5-5. Direct Index Lookup Method for AAL3/4



100074_026

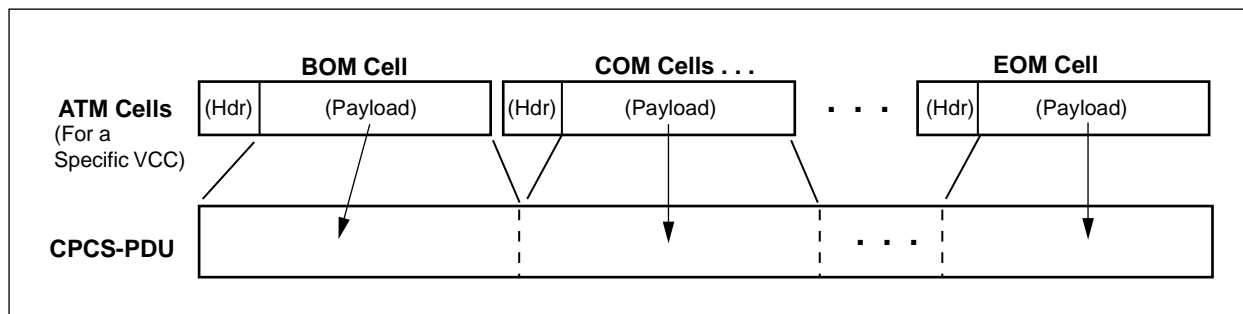
5.3 CPCS-PDU Processing

After the VCC has been identified via channel lookup, the reassembly coprocessor performs the appropriate CPCS-PDU processing according to the AAL_TYPE field in the reassembly VCC table.

The reassembly process is essentially the extraction and concatenation of consecutive ATM cell payloads on a specific VCC to form a CPCS-PDU. This processing is either reassembly into an AAL5 PDU, according to the specification in ANSI T1.635, reassembly into an AAL3/4 PDU, or reassembly into a transparent AAL0 PDU. The exact process is governed by the AAL type described in detail in the subsections below.

Figure 5-6 illustrates the basic process function.

Figure 5-6. CPCS-PDU Reassembly



SETUP

Each active reassembly VCC must have a corresponding entry in the reassembly VCC table to describe its state. At channel setup time — either during system initialization for Provisioned Virtual Connections (PVCs), or dynamically for Switched Virtual Connections (SVCs) — the host allocates a reassembly VCC table entry and configures the VCC according to its provisioned or negotiated characteristics. This includes the AAL in use, its assigned buffer pools and allocation priority, as well as the associated segmentation VCC Index (SEG_VCC_INDEX) for full duplex connections.

OPERATION

Once the reassembly process is activated, this RSM VCC table entry will be used to track the current state of the connection and direct the RS8234 to perform specific functions as described throughout this chapter.

5.3.1 AAL5 Processing

Except for the EOM cell, all of the data within AAL5 cell payloads is user data. The reassembly coprocessor writes all user data to memory as described in [Section 5.4](#). The EOM cell contains both user data and CPCS-PDU overhead, and delineates the end of an AAL5 PDU.

5.3.1.1 AAL5 COM Processing

During reassembly of the PDU, the reassembly coprocessor calculates a CRC-32 value on the received AAL5 PDU, as well as counting the length of the PDU. The CRC-32 value is collected in an accumulator, and the LENGTH value is collected in a Length Counter. After each received cell is processed, the reassembly coprocessor writes the CRC-32 and LENGTH values to the reassembly VCC state table entry for that channel.

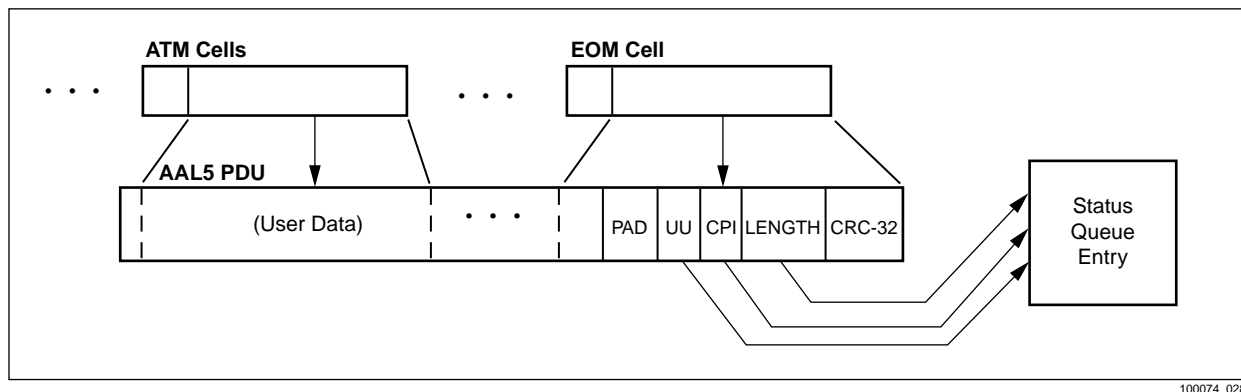
5.3.1.2 AAL5 EOM Processing

During reassembly of the AAL5 PDU, certain bytes of the PDU other than user data are written to a status queue entry for that PDU. The RSM coprocessor writes these specific fields to the status queue entry:

- UU information
- the CPI field
- the LENGTH field

[Figure 5-7](#) illustrates these process functions.

Figure 5-7. AAL5 EOM Cell Processing — Fields to Status Queue



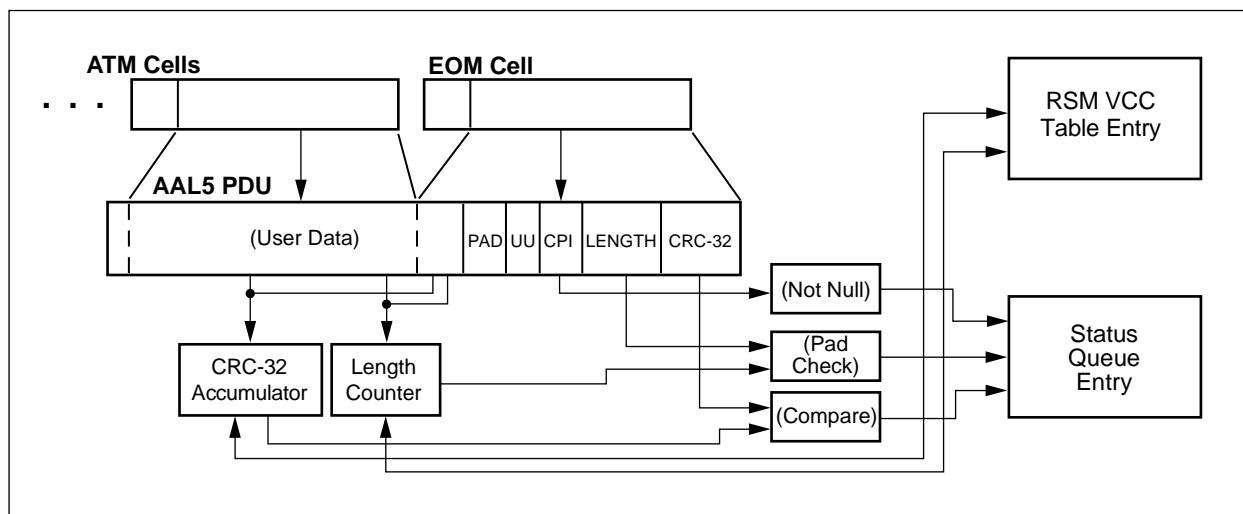
When the EOM cell is processed, the reassembly coprocessor performs the following checks:

- If the LENGTH field in the trailer of the AAL5 PDU is zero, the ABORT bit in the status queue entry is set to a logic high.
- Compares the calculated CRCREM value to the CRC-32 value in the trailer of the AAL5 PDU. If different, the reassembly coprocessor sets the CRC_ERROR bit in the status queue entry to a logic high.
- Compares the value collected in the Length Counter to the value in the LENGTH field in the trailer of the AAL5 PDU. If the number of Pad bytes is less than zero or greater than 47, the PAD_ERROR bit in the status queue entry is set to a logic high.
- If the CPI field in the AAL5 trailer is not zero, the CPI_ERROR bit in the status queue entry is set to a logic high.

NOTE: All trailer information is written to the reassembly buffer.

Figure 5-8 illustrates these process functions.

Figure 5-8. AAL5 Processing — CRC and PDU Length Checks



100074_029

The RS8234 reports all PDU termination events, with or without errors, in a status queue entry for that channel. See Section 5.6 for full details.

- 5.3.1.3 AAL5 Error Conditions** The user can set a global variable for the reassembly coprocessor, RSM_CTRL0 (MAX_LEN), dictating maximum SDU delivery length. The maximum allowable length, in bytes, of any AAL5 CPCS-PDU, including trailer and pad, is

$$\min[\text{RSM_CTRL0}(\text{MAX_LEN}) \times 1024, 65568]$$

During reassembly, this MAX_LEN value is checked to ensure that the PDU under reassembly does not exceed the maximum SDU delivery length.

If the RS8234 receives a non-EOM cell, where

$$\text{TOT_PDU_LEN} + 48 > \text{MAX_LEN} \times 1024 \text{ (or } 65568)$$

Early Packet Discard is performed.

The RS8234 reports this condition via a status queue entry, with the LEN_ERROR and EPD status bits set. The AAL5_DSC_CNT counter is also incremented. Refer to [Section 5.4.8](#), for details on how this process is handled.

For each EOM cell where

$$\text{TOT_PDU_LEN} + 48 > \text{MAX_LEN} \times 1024 \text{ (or } 65568)$$

the PDU is completed, with BA_ERROR status bit set.

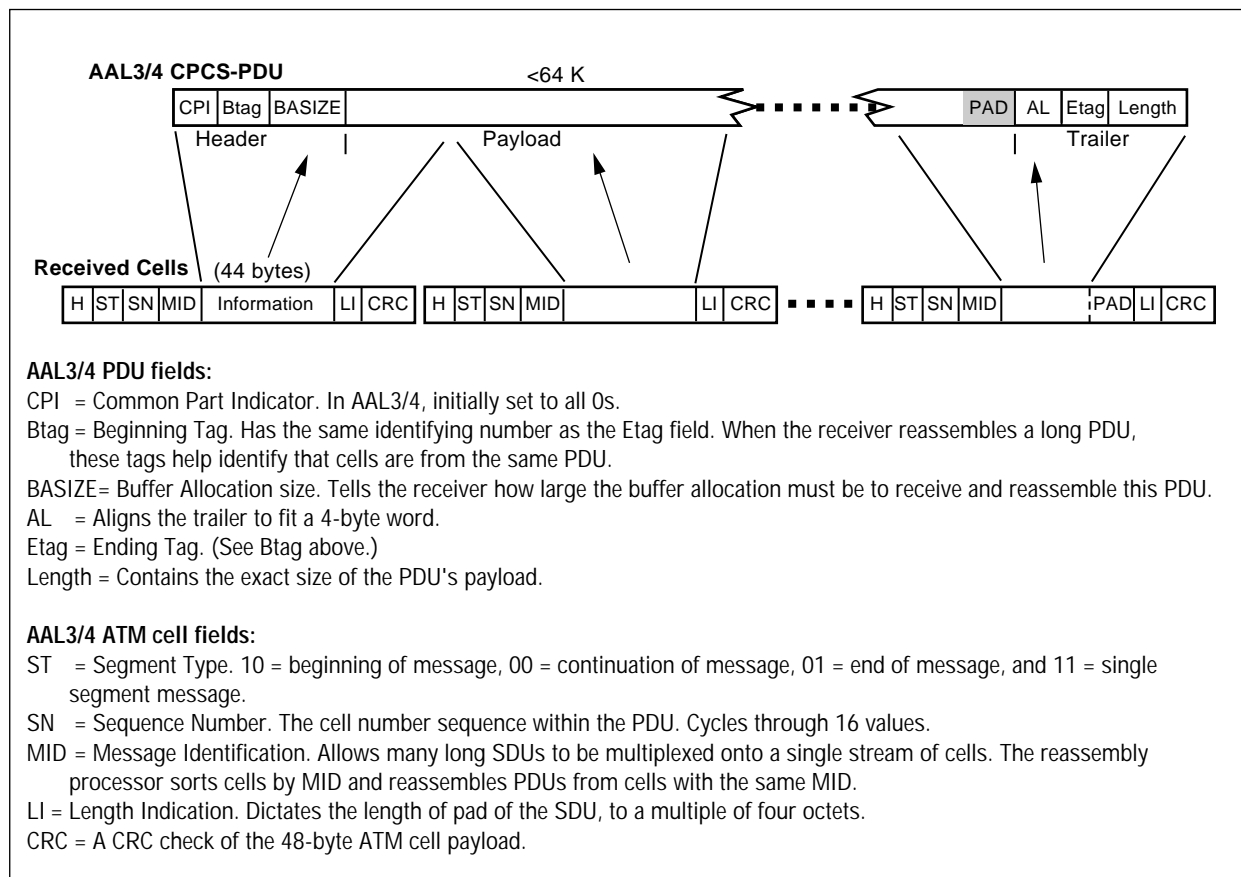
5.3.2 AAL3/4 Processing

The BOM cell contains the header information for the AAL3/4 PDU, and the EOM cell contains the trailer information for the PDU. All of the other cell payloads for that PDU contain user data. The reassembly coprocessor writes all header, trailer, and user data to memory as described in [Section 5.4](#). The EOM cell contains both user data and CPCS-PDU overhead, and delineates the end of an AAL3/4 PDU.

The BOM cell for a PDU will have the Segment Type (ST) field in the cell set to b10, and the EOM cell will have the ST field set to b01. All COM cells will have the ST field set to b00. An ST field value of b11 indicates a Single Segment Message (SSM), i.e., the cell holds all of a short PDU.

[Figure 5-10](#) illustrates an AAL3/4 CPCS-PDU reassembled from the received cell stream.

Figure 5-9. AAL3/4 CPCS-PDU Reassembly



100074_030

5.3.2.1 AAL3/4 Per-Cell Processing

The following processing steps and checks occur on a per-cell basis:

- If the CRC10_EN bit in the AAL3/4 Head VCC table entry is a logic high, the CRC10 field in the cell is checked. If in error, the SAR increments the CRC10_ERR counter in the VCC Head table entry, and discards the cell.
- The MID field value is checked against active MID values specified by the MID_BITS and MID0 fields in the AAL3/4 Head VCC table entry. If invalid, the SAR discards the cell, and increments the MID_ERR counter in the VCC Head table entry.
- If the cell is an EOM cell and LI = 63, the SAR writes a status queue entry with ABORT bit set, CPCS_LENGTH=0, and BD_PNTR pointing to the partially reassembled PDU.
- If the LI_EN bit in the AAL3/4 Head VCC table entry is a logic high, the LI field is checked, and the following error detection and error processing is done:
 - If the cell received is a BOM, and LI ≠ 44; the SAR discards the cell, and increments the LI_ERR counter in the VCC Head table entry.
 - If the cell received is a COM, and LI ≠ 44; the SAR discards the cell, and terminates the current CPCS-PDU. The SAR also writes a status queue entry with the LI_ERROR bit set, the CPCS_LENGTH = 0, and BD_PNTR pointing to the partially reassembled PDU. The SAR also increments the LI_ERR counter in the VCC Head table entry.
 - If the cell received is an EOM, and (LI < 4 or LI > 44); the SAR discards the cell, and terminates the current CPCS-PDU. The SAR also writes a status queue entry with the LI_ERROR bit set, the CPCS_LENGTH = 0, and BD_PNTR pointing to the partially reassembled PDU. The SAR also increments the LI_ERR counter in the VCC Head table entry.
 - If the cell received is an SSM, and (LI < 8 or LI > 44); the SAR discards the cell, and increments the LI_ERR counter in the VCC Head table entry.
- If the ST_EN bit in the AAL3/4 Head VCC table entry is a logic high, the ST field in the cell is checked. The NEXT_ST field in the VCC entry is used for this check. A value of “01” in the NEXT_ST field indicates that the SAR was expecting a BOM/SSM cell. An “00” value indicates that the SAR was expecting a COM/EOM cell. The following error detection and error processing is done:
 - If the cell received is a BOM, and the SAR was expecting a COM or EOM; the SAR terminates the current CPCS-PDU, and writes a status queue entry with the ST_ERROR bit set, the CPCS_LENGTH = 0, and the BD_PNTR pointing to the partially reassembled PDU. The SAR also increments the BOM_SSM_ERR counter in the VCC Head table entry, and starts a new CPCS-PDU with the current BOM cell.
 - If the cell received is an SSM, and the SAR was expecting a COM or EOM; the SAR terminates the current CPCS-PDU, and writes a status queue entry with the ST_ERROR bit set, the CPCS_LENGTH = 0, and the BD_PNTR pointing to the partially reassembled PDU. The SAR also increments the BOM_SSM_ERR counter in the VCC Head table entry, and processes the current cell as a valid CPCS-PDU.
 - If the cell received is a COM, and the SAR was expecting a BOM or SSM; the SAR discards the cell.

- If the cell received is an EOM, and the SAR was expecting a BOM or SSM; the SAR discards the cell, and increments the EOM_ERR counter in the VCC Head table entry.
- If the SN_EN bit in the AAL3/4 Head VCC table entry is a logic high, the SN field in the cell is checked. If the cell received is an COM or EOM, and the SN field does not equal the NEXT_SN field in the VCC Table entry; the SAR discards the cell, terminates the current CPCS-PDU, and writes a status queue entry with the SN_ERROR bit set, CPCS_LENGTH = 0, and the BD_PNTR pointing to the partially reassembled PDU. The SAR also increments the SN_ERR counter in the VCC Head table entry.

5.3.2.2 AAL3/4 Additional BOM/SSM Processing

The RS8234 performs the following additional checks and functions on each BOM or SSM cell received:

- When a BOM cell is received for an AAL3/4 CPCS-PDU (i.e., with ST field set to b10), the RS8234 checks if the CPI_EN bit in the RSM AAL3/4 Head VCC table entry is set to a logic high. If so, the CPI field in the received cell is checked for a zero value. If not a zero value, the RS8234 treats this as an error condition and discards the cell, terminates the current CPCS-PDU, writes a status queue entry with the CPI_ERROR bit set, and the CPCS_LENGTH and BD_PNTR fields set to zero. Cells up to and including the next EOM are discarded.
- The RS8234 also checks if the BAH_EN bit in the RSM AAL3/4 Head entry is set to a logic high. If so, it checks if the BASIZE field in the CPCS-PDU header is less than 37 octets, and if so, the RS8234 discards the current cell, terminates the current CPCS-PDU, and writes a status queue entry with the BA_ERROR bit set, and the CPCS_LENGTH and BD_PNTR fields set to zero. Cells up to and including the next EOM are discarded.
- If the CPI and BASIZE fields are correct in the BOM cell, the RS8234 copies the BASIZE and BTAG fields into the VCC table entry for that MID, and sets the NEXT_ST and NEXT_SN values in the VCC table entry. It also writes the CPCS-PDU header into the data buffer.
- If the LI field in the SAR-PDU > (BASIZE+7), the SAR discards the cell, terminates the CPCS-PDU, and writes a status queue entry with the LEN_ERROR bit set and CPCS_LENGTH = zero.

5.3.2.3 AAL3/4 Additional COM Processing

The RS8234 performs the following additional checks and functions on each COM cell received:

- The RS8234 checks if the sum of the LI fields for the CPCS-PDU are greater than (BASIZE + 7). If so, the RS8234 discards the cell, terminates the CPCS-PDU, and writes a status queue entry with the LEN_ERROR bit set high, CPCS_LENGTH set to zero, and BD_PNTR pointing to the partially reassembled PDU.

5.3.2.4 AAL3/4 Additional EOM/SSM Processing

Upon termination of a CPCS-PDU, the RS8234 performs the following additional checks and functions on each EOM or SSM cell received:

- The Length field in the CPCS-PDU trailer is written to the CPCS_LENGTH field of a RSM status queue entry written for the VCC.
- The RS8234 performs a Pad length check to see if the sum of all LIs for the CPCS-PDU - LENGTH - 8 = [0 to 3] octets. If in error, it sets the PAD_ERROR bit in the status queue entry.
- The RS8234 performs a Modulo 32 bit check. If the sum of all LIs for the CPCS-PDU is not modulo 32 bit, the SAR sets the MOD_ERROR bit in the status queue entry.
- If the Alignment (AL) field in the CPCS-PDU trailer is not all zeros, it sets the AL_ERROR bit in the status queue entry.
- If the BTAG field in the RSM VCC table entry does not match the ETAG field in the CPCS-PDU trailer, it sets the TAG_ERROR bit in the status queue entry.
- The RS8234 checks the BAT_EN bit in the AAL3/4 Head VCC table entry. If BAT_EN is high, it compares the BASIZE field to the Length field in the CPCS-PDU trailer. If not a match, it sets the BA_ERROR bit in the status queue entry. If BAT_EN is low, it checks if the Length field is > BASIZE; and if so, sets the BA_ERROR bit in the status queue entry.
- The RS8234 writes the AAL3/4 CPCS-PDU trailer to the data buffer.

5.3.2.5 AAL3/4 MIB Counters

Whenever an AAL3/4 MIB counter rolls over to all zeros, the RS8234 writes a RSM status queue entry with the CNT_ROVR bit set to a logic high, and the HEAD_VCC_INDEX field pointing to the AAL3/4 Head VCC entry which contains the rolled-over counter. This processing step takes place for the CRC10_ERR, MID_ERR, LI_ERR, SN_ERR, BOM_SSM_ERR, and EOM_ERR counters.

5.3.3 AAL0 Processing

AAL0 is a transparent adaptation layer, allowing for pass-through of raw data cells during CPCS-PDU processing. AAL0 channels are intended to be used for AAL proprietary adaptation layers.

5.3.3.1 Termination Methods

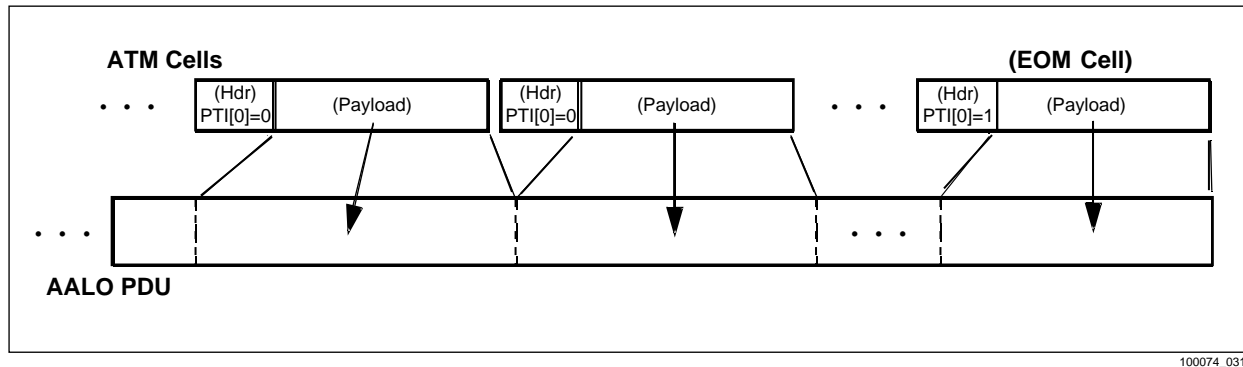
The RS8234 provides two methods of terminating an AAL0 PDU: Cell Count EOM and PTI termination.

The TCOUNT field in the RSM VCC state table entry determines the method for each VCC.

- If TCOUNT = nonzero, Cell Count EOM PDU termination is enabled. PDUs will terminate when a fixed number of cells (TCOUNT) have been received. CCOUNT must be initialized to a value of one in this mode.
- If TCOUNT = zero, then PTI termination is enabled. In this case, a received cell with PTI[0] set to one indicates the end of the AAL0 message. The total maximum allowable length of an AAL0 PDU in this mode is (CCOUNT * 2) bytes.

Figure 5-10 provides an illustration of this.

Figure 5-10. AAL0 PTI PDU Termination



The RS8234 reports all PDU termination events, with or without errors, in a Status Queue entry for that channel. See [Section 5.6](#).

5.3.3.2 AAL0 Error Conditions

If the RS8234 receives a non-EOM cell in PTI termination mode, where

$$\text{TOT_PDU_LEN} + 48 > \text{CCOUNT} \times 2$$

EPD is performed. The RS8234 reports this condition via a status queue entry, with the LEN_ERROR and EPD status bits set. Refer to [Section 5.4.8](#), for details on how this process is handled.

For each EOM cell where

$$\text{TOT_PDU_LEN} + 48 > \text{CCOUNT} \times 2$$

the PDU is completed, with BA_ERROR status bit set.

The RS8234 processes error conditions for AAL0 (such as free buffer queue underflow, status queue overflow, and per-channel buffer firewall), in the same way as AAL5 CPCS-PDUs are processed.

5.3.4 ATM Header Processing

ATM level CI and CLP are mapped to the CPCS-PDU status queue entry in the following manner:

- LP: value of the ATM Header CLP bit ORed across all cells in a CPCS-PDU.
- CI_LAST: value of ATM Header PTI[1] bit in last cell of CPCS-PDU.
- CI: value of ATM Header PTI[1] bit ORed across all cells in a CPCS-PDU.

5.3.5 BOM Synchronization Signal

The STAT[1:0] output pins can be programmed to provide an indication that a BOM cell is being written across the PCI bus. Additional external circuitry could snoop the BOM cell for a service level protocol header, and perform appropriate lookup as the CPCS-PDU is being reassembled. To configure the STAT pins, set the STATMODE field in the CONFIG0 register to 0x00. The STAT output truth table illustrated in [Table 5-2](#).

Table 5-2. STAT Output Pin Values for BOM Synchronization

	STAT[1]	STAT[0]
NOT BOM	0	0
AAL5 BOM	0	1
AAL0 BOM	1	0
NOT USED	1	1

The STAT output pins are valid during a SAR PCI master write address cycle. External circuitry would detect a BOM cell transfer by detecting a logic high on either STAT pin during a SAR PCI master write address cycle. External circuitry can then snoop the subsequent data cycles of the BOM cell transfer to extract the appropriate protocol overhead.

5.4 Buffer Management

Once CPCS-PDU processing has been implemented, the cell payloads are written to data buffers. Each channel retrieves the location of its buffers from one of 32 free buffer queues. The reassembly coprocessor tracks the location of the buffers from the VCC table entry for that channel.

NOTE: The process cycle time of a read transaction across the PCI bus is much longer than a write transaction, due to the PCI bus being held in a busy state while the remote processor accesses and processes the read request. Therefore, to speed up processing flow during reassembly, the RS8234 uses only control and status writes across the PCI bus between host and local systems.

Data buffers are supplied according to the mechanisms detailed below.

5.4.1 Host vs. Local Reassembly

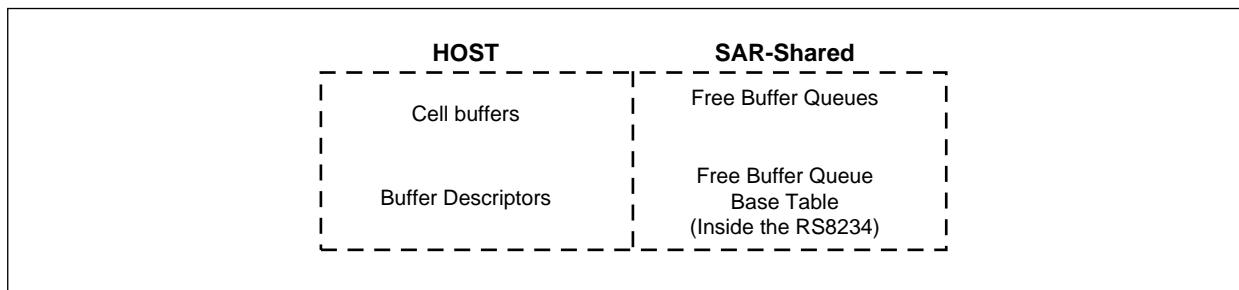
Data buffers can reside in both host and SAR shared memory. The majority of user data traffic should be reassembled in host memory. SAR shared memory reassembly is intended for low bandwidth management and control functions, such as OAM and Signaling. This allows an optional local processor to off-load these network management functions from the host, focusing host processing power on the user application.

5.4.2 Scatter Method

The RS8234 uses an intelligent scatter method to write cell payload data to host memory. During reassembly to host memory, the reassembly coprocessor uses the DMA coprocessor to control the scatter function. The reassembly coprocessor controls the incoming DMA block during scatter DMA to host memory.

Four data structures are maintained as illustrated in [Figure 5-11](#): two in the host memory, one in SAR shared memory, and one in internal memory. The linked cell buffers (HCELL_BUFF) and reassembly buffer descriptors reside in host memory, and the free buffer queues (HFR_BUFF_QU) reside in SAR shared memory. The free buffer queues also have an associated free buffer queue base table. This table is in internal memory. The RS8234 allows for up to 32 independent free buffer queues.

Figure 5-11. Host and SAR Shared Memory Data Structures for Scatter Method



100074_032

5.4.3 Free Buffer Queues

The free buffer queue structure consists of a free buffer queue base table, two base address registers, RSM_FQBASE(FBQ0_BASE and FBQ1_BASE), and the corresponding free buffer queues.

The reassembly VCC table entry for any channel contains two 5-bit fields: BFR0 and BFR1. These fields identify the free buffer queues that have been assigned to this channel by the host during initialization of the VCC table entry. BFR0 contains the BOM free buffer queue number, and BFR1 contains the COM free buffer queue number. Typically, the BFR0 number is for free buffer queues 0-15, and the BFR1 number is for free buffer queues 16-31.

The free buffer queue is configured in two banks. Bank 0 contains free buffer queues 0-15, and Bank 1 contains free buffer queues 16-31.

The user can set BFR0 = BFR1, to disable this two-tier buffer structure.

Depending on the type of arriving cell (whether BOM or COM), the corresponding BFRx buffer number is used as an index to the appropriate free buffer queue base table entry.

The base addresses for these banks are in RSM_FQBASE(FBQ0_BASE and FBQ1_BASE). The reassembly coprocessor calculates the address of the first entry for any of the 32 free buffer queues as follows:

$$\text{FBQx_BASE} + [(\text{size of each free buffer queue}) \times \text{BFRx MOD } 16]$$

Each of the 32 free buffer queues is a circular queue whose entries are sequentially read by the SAR. The reassembly coprocessor calculates the index for each sequential read as follows:

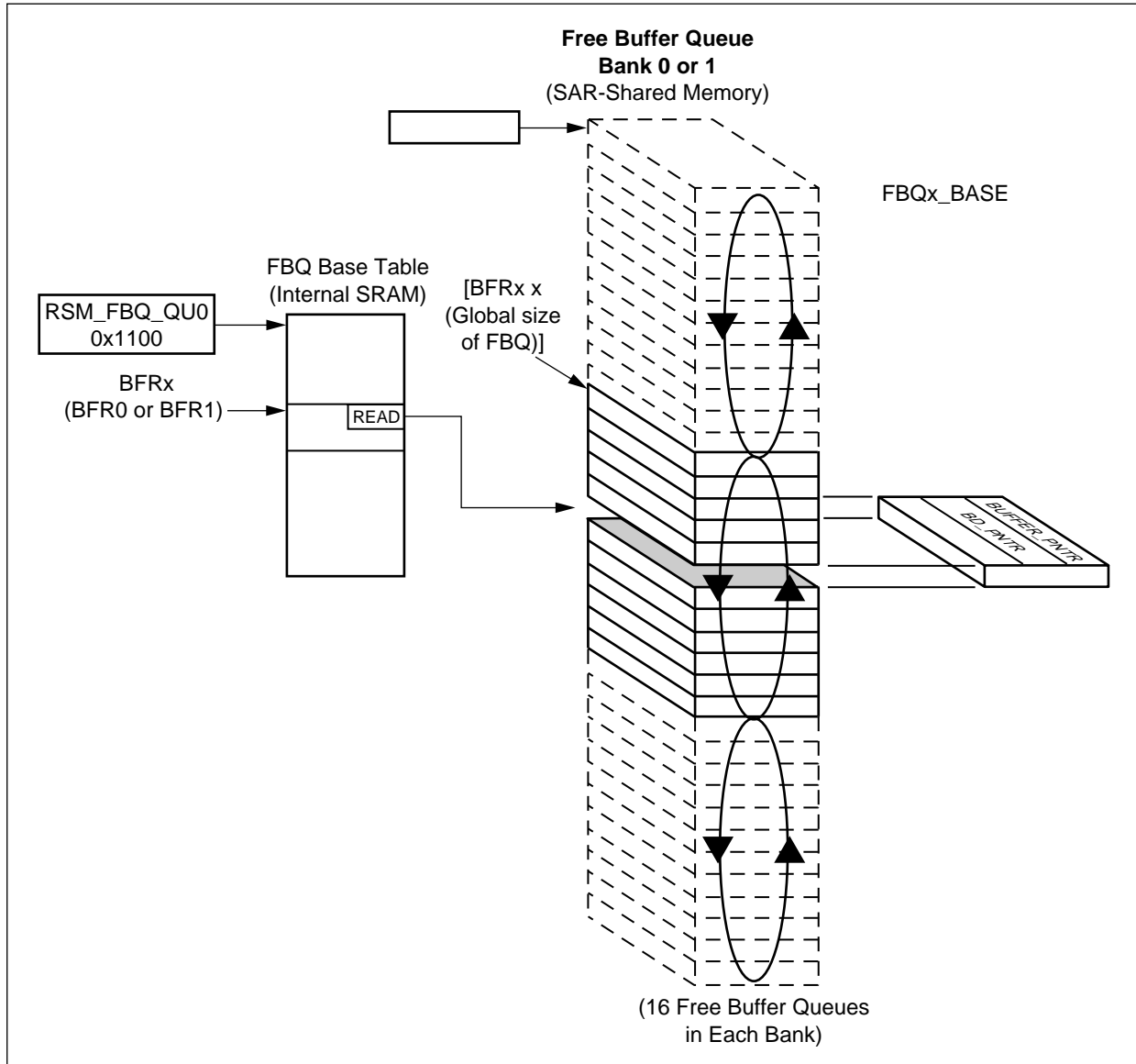
$$(\text{index of first entry for the queue}) + [(\text{READ index pointer}) \times (\text{size of each free buffer queue entry})]$$

The READ field in the base table entry for any free buffer queue is the current READ index pointer, and is continually updated with each read of that queue.

Each free buffer queue entry contains a pointer to a buffer descriptor (BD_PNTR), and a pointer to a data buffer (BUFFER_PNTR); and when the free buffer queue entry is read it returns those pointers.

Figure 5-12 illustrates this structure. Refer to Chapter 3.0 for more information on the operation of the Free Buffer Queue.

Figure 5-12. Free Buffer Queue Structure



100074_033

5.4.4 Linked Data Buffers

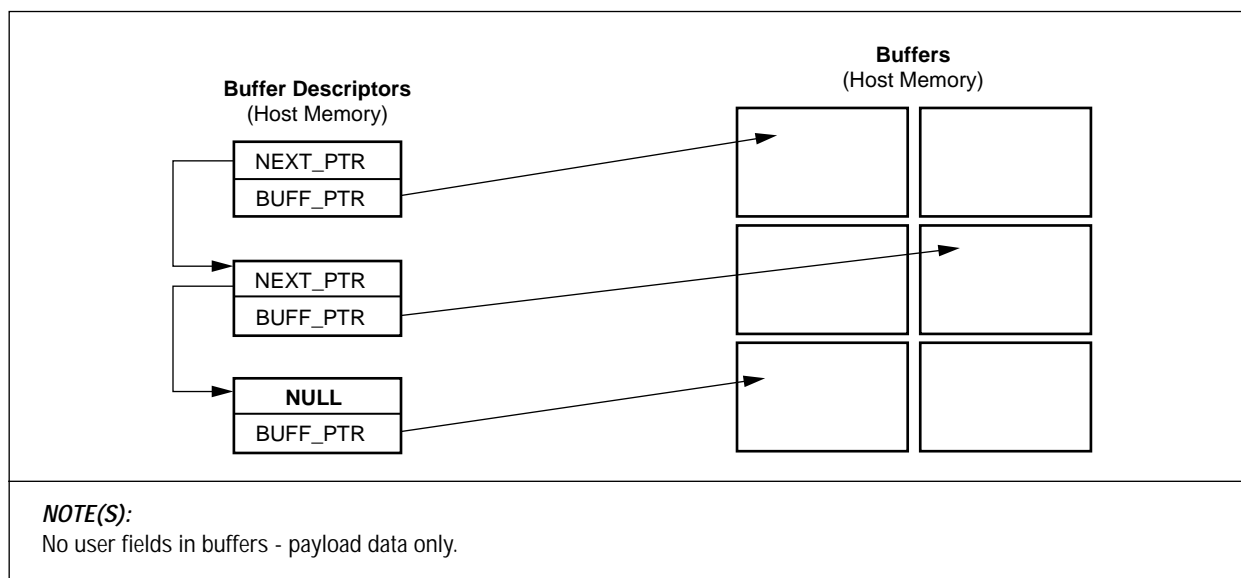
After the free buffer queue has returned pointers to a buffer descriptor and a cell buffer, the reassembly coprocessor writes payload data to the buffer.

The linked cell buffers contain the payload portions of the ATM cells. The buffers do not contain any control information. A pointer in a separate buffer descriptor structure links the buffers.

Thus, the pointer in the free buffer queue (BD_PNTR) points to a buffer descriptor, which has a pointer (BUFF_PTR) pointing to a buffer. The use of this buffer locating mechanism offers a layer of indirection in buffer assignment that maximizes system architecture flexibility.

Figure 5-13 illustrates this structure.

Figure 5-13. Data Buffer Structures



The data buffers are linked by a pointer (NEXT_PNTR) in the first word of the buffer descriptor, which is written by the reassembly coprocessor when the current buffer is completed. The host writes the second word of the buffer descriptor to point to the next associated data buffer. The link pointer of the last buffer descriptor in a chain is written to NULL.

The link pointer (NEXT_PNTR) is not written if the LNK_EN bit in the RSM VCC table entry for that channel is a logic low.

NOTE: Only the data buffers are affected by big/little endian processing. The buffer control structures (i.e., the buffer descriptors, free buffer queue base table, and free buffer queues) are the same in both big and little endian modes.

5.4.5 Initialization of Buffer Structures

Before operation of the reassembly coprocessor is enabled, the host must initialize these buffer structures. The initialization in this section assumes that the firewall function is disabled (i.e., $RSM_FQCTRL(FBQ0_RTN) = 0$), and therefore, all free buffer queue entries are two words.

5.4.5.1 Buffer Descriptors

In every buffer descriptor entry, write the pointer to an available data buffer in the `BUFF_PTR` field. This assigns every data buffer to its own buffer descriptor.

5.4.5.2 Free Buffer Queue Base Table

Allocate the size (in number of entries) of each of the 32 free buffer queues in the `RSM_FQCTRL` register, (`FBQ_SIZE`) field, based on these values:

00 = 64

01 = 256

10 = 1,024

11 = 4,096

Initialize the free buffer queue update `INTERVAL`, i.e., how many buffers are taken off the free buffer queue before the RS8234 writes the current `READ` index pointer to host memory. This is written to `RSM_FQCTRL(FBQ_UD_INT)`.

Initialize the `FORWARD`, `READ`, `UPDATE`, and `EMPT` fields in each free buffer queue base table entry to zeroes.

Initialize the `READ_UD_PTR` field in each base table entry with the appropriate address.

Write the appropriate length (in bytes) for the data buffers in that queue in the `LENGTH` field of each free buffer queue base table entry.

Initialize `BFR_LOCAL` and `BD_LOCAL` to the appropriate host/SAR shared memory locations. Normally, both structures are in host memory.

5.4.5.3 Free Buffer Queue Entries

Write the base addresses of free buffer queues Banks 0 and 1 in `RSM_FQBASE` (`FBQ0_BASE` and `FBQ1_BASE`).

For each allocated free buffer queue entry, write the `BD_PNTR` and `BUFFER_PTR` fields corresponding to the buffer and buffer descriptor pair. Also write the `VLD` bit to a logic high.

For each unallocated free buffer queue entry, write the `VLD` bit to a logic low.

5.4.5.4 Other Initialization

The user can globally disable free buffer underflow protection by setting `RSM_CTRL(RSM_FBQ_DIS)` to a logic high.

5.4.6 Buffer Allocation

The reassembly coprocessor performs buffer allocation when a new channel is being reassembled, or when a buffer on an existing channel in process of being reassembled, is full.

The reassembly coprocessor reads the appropriate free buffer queue base table entry and free buffer queue entry. If the VLD bit is a logic low, a queue empty condition has occurred. (The processing of this condition is described in [Section 5.4.7](#).) If the VLD bit is a logic high, the reassembly coprocessor uses the assigned buffer to store payload data.

The VLD bit is then written to a logic low without corrupting the BD_PNTR value. The READ index pointer and UPDATE counter are incremented. If the UPDATE counter equals RSM_FQCTL(FBQ_UD_INT), then the READ index pointer is written to the location pointed to by READ_UD_PNTR, and the UPDATE counter is reset to zero.

When the host wants to return a buffer to a free buffer queue, the host WRITE index pointer is compared to the RS8234 READ index pointer located at READ_UD_PNTR. If the WRITE index pointer + one is equal to the READ index pointer, an overflow condition has been detected and further processing is halted. Otherwise, the host writes and updates the free buffer queue entry with a new buffer pointer, buffer descriptor pointer, and VLD bit set to a logic high. The host then increments its WRITE index pointer.

5.4.7 Error Conditions

An empty condition occurs when a buffer is needed and there are no available buffers in the free buffer queue. If the BFR1 queue is empty and BFR1 does not equal BFR0, then the RSM coprocessor checks the BFR0 queue before declaring an empty condition.

If an empty condition occurs after the first buffer of a CPCS-PDU is written, the reassembly coprocessor will perform early packet discard on the channel and write a status queue entry with the EPD and free buffer queue Underflow (UNDF) bits set to a logic high. EPD functions are described in [Section 5.4.8](#). Also, if a buffer queue empty condition initially occurs at the beginning of a BOM cell, a status queue entry is written with UNDF set to a logic high and BD_PNTR null. In both cases, the RSM_HF_EMPT bit is set in the HOST_ISTAT1 and LP_ISTAT1 registers if the BD_LOCAL bit is a logic low in the free buffer queue base table, or the RSM_LF_EMPT bit is set if BD_LOCAL is a logic high.

All cells of a PDU up to and including the next EOM cell are discarded. Upon receiving a BOM or SSM cell, the reassembly coprocessor checks the queue indicated by BFR0 for a valid free buffer. If a free buffer exists, the RSM coprocessor stores the cell in the assigned buffer.

For AAL5 channels, the AAL5_DSC_CNT counter is incremented for each CPCS_PDU discarded during this error condition.

Channels that have outstanding buffers from an empty queue are not affected until they need a new buffer. Once the host has written more free buffers on the queue with VLD bit set to a logic high, the reassembly coprocessor will automatically recover from the empty condition.

5.4.8 Early Packet Discard

The packet discard feature provides a mechanism to discard complete or partial CPCS-PDUs, based upon service discard attributes or error conditions.

5.4.8.1 General Description

The EPD feature performs these basic functions:

- Halts reassembly of the CPCS-PDU marked for discard until the next BOM cell and the error condition has cleared.
- Writes a status queue entry with the EPD bit set and other appropriate STATUS and PDU_CHECKS bits set, based on the reason for the discard.

5.4.8.2 Frame Relay Packet Discard

The frame relay discard attribute is contained in the BOM cell of a CPCS-PDU. If the FRD_EN bit in the RSM VCC table is a logic high, the frame relay packet discard function for that VCC is enabled, and the functions below are performed:

- When the reassembly coprocessor receives a BOM cell on a VCC with this feature enabled, it checks the 1-bit DE field in the frame relay header. If this bit is a logic high, and the channel priority (the DPRI in the RSM VCC table) is less than or equal to the global priority, RSM_CTRL (GDIS_PRI), the RSM coprocessor discards the cell, marks the rest of the packet for discard, and increments the SERV_DIS counter in the VCC table. All cells on that channel up to the next BOM are discarded.
- If the SERV_DIS counter rolls over, the CNT_ROVR bit in the next status entry for this channel is set to a logic high. The CNT_ROVR bit in the VCC table holds this flag information until a status is sent.

5.4.8.3 CLP Packet Discard

If the CLPD_EN bit in the RSM VCC table is a logic high, the Cell Loss Priority packet discard function for that VCC is enabled, and the following functions below are performed:

- When the RSM coprocessor receives a cell and this function is enabled, it checks the 1-bit CLP field in the ATM header. If this bit is a logic high, and the channel priority is less than or equal to the global priority, RSM_CTRL (GDIS_PRI), the RSM coprocessor discards the cell, marks the rest of the packet for discard, and increments the SERV_DIS counter in the VCC table. All cells on that channel up to the next BOM are discarded.
- If the SERV_DIS counter rolls over, the CNT_ROVR bit in the next status entry for this channel is set to a logic high. The CNT_ROVR bit in the VCC table holds this flag information until a status is sent.

5.4.8.4 LANE-LECID Packet Discard—Echo Suppression on Multicast Data Frames

The system designer can use this feature to discard superfluous traffic on the ATM network caused by LAN Emulation Clients (LECs) transmitting multicast frames, i.e., point-to-multipoint Emulated LAN traffic.

If the LECID_EN bit in the RSM VCC Table is a logic high, the LANE-LECID discard function for that VCC is enabled, and the functions below are performed:

- The DPRI field is used as an index into the LECID table. This allows support for up to 32 LECIDs, each a unique identifier for a single LAN Emulation Client.
- When the RSM coprocessor receives a BOM cell with this function enabled, it checks the 16-bit LECID field in the LANE header against the value in the LECID table. If a match occurs, the RSM coprocessor discards the cell, marks the rest of the packet for discard and increments the SERV_DIS counter in the VCC Table.
- If the SERV_DIS counter rolls over, the CNT_ROVR bit in the next status

entry for this channel will be set to a logic high. The CNT_ROVR bit in the VCC Table holds this flag information until a status is sent.

5.4.8.5 DMA FIFO Full

The purpose of this function is to allow a graceful recovery from an incoming DMA FIFO full condition. Without this function the reassembly coprocessor is stalled when the FIFO is full, until recovery from the full condition. This causes the cells to be dropped indiscriminately on the upstream side of the reassembly block without any record of which VCCs the cells belonged to. Upon recovery from the full condition, cells belonging to corrupted PDUs continue to be processed, which wastes PCI bandwidth during the recovery phase. This function provides for a more efficient use of host and SAR resources by allowing the reassembly block to process and drop cells during the full condition.

The reassembly block will mark all channels that receive a cell during the full condition for subsequent early packet discard. Upon recovery from the full condition, the reassembly block performs early packet discard on the appropriate channels as cells are received on those channels. In addition, cells will continue to be dropped on each channel until after an EOM cell is received for that channel. Early packet discard processing is delayed until recovery from the full condition, since the status entry also requires the use of the incoming DMA FIFO.

This function is enabled by setting the FF_DSC bit in each VCC entry to a logic high.

The user may want to disable this function if the free buffers, buffer descriptors, and RSM status queues reside in SAR shared memory.

Similarly, if RSM_CTRL1(OAM_QU_EN) is a logic high, RSM_CTRL1(OAM_FF_DSC) should be set to a logic high.

The user may want to disable this function if the global OAM buffers, buffer descriptors, and status queues reside in SAR shared memory.

Early packet discard due to a FIFO full condition is indicated by the FFPD bit in the RSM status queue entry being a logic high.

5.4.8.6 AAL3/4 Early Packet Discard Processing

The RS8234 performs EPD for AAL3/4 CPCS-PDUs with these steps:

- Sets the appropriate error bit in the PDU_CHECKS field for a new RSM Status Queue entry.
- Sets the CPCS_LENGTH field to zero.
- Sets the BD_PNTR field to point to the partially reassembled PDU.
- Writes the Status Queue entry.
- Discards all cells of that PDU up to and including the EOM cell for that PDU.

5.4.8.7 Error Conditions

Partially reassembled CPCS-PDU's will be recovered for the following error conditions:

- Non-EOM Max PDU Length exceeded
- Free buffer queue underflow
- Status queue overflow

5.4.9 Hardware PDU Time-out

The RS8234 automatically detects active CPCS-PDU time-out for reassembly channels. A PDU time-out occurs when a partially received PDU does not complete within a set time period. When it detects this time-out condition, the RS8234 provides a status queue indication to the host. This indication allows the host to recover the buffers held by the partially completed PDU. The RS8234 supports up to eight reassembly time-out periods.

5.4.9.1 Reassembly Time-out Process

A background hardware process performs the reassembly time-out function. The process is activated at a user-selected interval. The time-out process is enabled by setting the GTO_EN bit in the RSM_CTRL0 register. The RSM_TO register controls the process activity once enabled. The process is activated every RSM_TO_PER rising edges of SYSCLK on cell boundaries.

NOTE: Note that GTO_EN set to zero resets the internal time-out interrupt counter.

Each time the process is activated, it examines a single VCC, identified by TO_VCC_INDEX. This is a 16-bit variable located at address 0x1350, in internal SRAM. The host should initialize this register to zero at system initialization.

To enable hardware time-out on an individual VCC, the host must set TO_EN in the VCC Table entry. The host also assigns one of eight time-out periods to each VCC by initializing the TO_INDEX field in the VCC Table entry.

The RS8234 checks the TO_EN bit and the active PDU indicator bit, ACT_PDU, to see if time-out processing is enabled and necessary, respectively, for the current connection. If either bit is zero, then TO_VCC_INDEX is incremented by one and compared to RSM_TO_CNT in the RSM_TO register. If TO_VCC_INDEX = RSM_TO_CNT, then TO_VCC_INDEX is reset to zero and the time-out search is restarted at the beginning of the VCC Tables.

If both bits are set, the RS8234 increments CUR_TOCNT in the RSM VCC Table entry. Then it compares CUR_TOCNT to the time-out value selected, TERM_TOCNT_x, where x = TO_INDEX. TERM_TOCNT₀ through TERM_TOCNT₇ are located at address 0x1340 through 0x134c in internal SRAM. They must be initialized to appropriate values during system initialization.

If $CUR_TOCNT = TERM_TOCNTx$, then a time-out condition has occurred on the current VCC. The RS8234 follows the procedure described in [Section 5.4.9.4](#).

5.4.9.2 Halting Time-out Processing

To halt time-out processing, the host “must” set the TO_LAST bit to one, in the RSM VCC Table entry for the last VCC_INDEX that the host wishes to have enabled for time-out processing. When the RS8234 detects this bit set to one, it halts time-out processing.

When time-out processing is halted, the time-out process will still be activated, but the VCC will not be checked for a time-out condition. The RS8234 will simply increment TO_VCC_INDEX and compare it to RSM_TO_CNT . If they are equal, TO_VCC_INDEX is reset to zero and the full time-out processing is re-enabled.

5.4.9.3 Timer Reset

The RS8234 reassembly time-out process increments the CUR_TOCNT value. If it reaches a threshold value, a time-out condition has occurred. In AAL5 and AAL0, PTI termination modes, the reception of a non-EOM cell will reset the counter.

5.4.9.4 Reassembly Time-out Condition

The RS8234 reports reassembly time-out conditions via the VCC’s reassembly status queue. The TO bit in the $STATUS$ field of the status queue entry will be set to one. In Message Mode, the BD_PNTR will point to the beginning of the partial buffer descriptor chain. In Streaming Mode, the BD_PNTR will point to the last buffer descriptor in the chain. The only other valid fields in the status queue entry will be VCC_INDEX and VLD .

Once status has been reported, the RS8234 re-initializes the VCC Table entry to begin accepting a CPCS-PDU.

5.4.9.5 Time-out Period Calculation

The following equation determines the time-out period of a VCC.

$$\text{Period} = \text{SYSCLK period} \times \text{RSM_TO_PER} \times \text{RSM_TO_CNT} \times \text{TERM_TOCNTx}$$

RSM_TO_CNT must be greater than or equal to the maximum number of VCCs which require time-out processing.

5.4.10 Virtual FIFO Mode

This mode provides a logical FIFO port for cell data to host memory. Its principal use is for AAL0 CBR voice traffic.

5.4.10.1 Setup

To enable this mode on any channel, set $FIFO_EN$ in the RSM VCC Table to a logic high. The user initializes the $CBUFF_PNTR$ field in the RSM VCC Table to the address of the FIFO port. The channel should also be configured for AAL0 fixed length termination mode, with a termination length of one cell.

5.4.10.2 Operation

Whenever a buffer is required during reassembly in this mode, the $CBUFF_PNTR$ address is used without accessing the free buffer queue.

No status entries are written in this mode because there is no way to maintain synchronization between status entries and cells in the FIFO buffer under FIFO buffer overflow conditions.

5.4.10.3 Errors

When the FIFO port is on the PCI bus, the $CBUFF_PNTR$ address must be on a 64-byte boundary, and a decode of any address in the 64-byte block will access

the FIFO. External circuitry must also ensure that only complete cells are written into the host FIFO.

The beginning of a cell transfer can be detected by the PCI address being 64-byte aligned.

5.4.11 Firewall Functions

Implementation of multiple free buffer queues and EPD performs a firewalling functionality on a group basis.

The user can also set up per-VCC firewalling on a channel-by-channel basis. The firewall mechanism allows the user to allocate buffer credits on a per-channel basis.

NOTE: When firewalling is enabled in the RSM coprocessor and an FBQ empty (underflow) condition is encountered, the RX_COUNTER field in the VCC table(s) still decrements each time the VCC receives a BOM cell. The RX_COUNTER should not be decremented when the FBQ is empty. There is no workaround for this problem. The user “must” avoid FBQ empty conditions when firewalling is enabled.

5.4.11.1 Setup

Set RSM_FQCTRL(FBQ0_RTN) to a logic high. This sets free buffer queue block 0 to contain queues with four word entries. This is used to support per-VCC firewall credit update.

Set the global firewall control bit to a logic high in register RSM_CTRL0, field (FWALL_EN), to globally enable firewall processing on a per-channel basis.

Set the following fields of the VCC Table entry for the channel being set up for firewall processing:

- The FW_EN bit set to a logic high enables firewall processing on that channel.
- Set RX_COUNTER[15:0] to assign the initial buffer credit for the channel.

Initialize the FORWARD fields in the free buffer queue base tables to point to the entry where credit will initially be returned. Typically, this will be the first entry after the initial buffers placed on the queue. Write the FWD_VLD bit in all free buffer queue entries to a logic low.

5.4.11.2 Operation

Whenever a buffer is taken off free buffer queues 0 through 15 during reassembly on a channel enabled for firewall processing, the RSM coprocessor decrements the RX_COUNTER[15:0] in the RSM VCC table entry for that channel. This allows COM buffers to be placed on queues 16 through 31 without being firewalled.

If the RX_COUNTER[15:0] for a channel is 0 when a buffer is required, the RSM coprocessor declares a firewall condition. If the firewall condition occurs on a BOM or SSM, the RS8234 writes a status queue entry with the FW bit set and a NULL in the BD_PNTR field.

If the firewall condition occurs on a COM or EOM, the RSM coprocessor initiates EPD and writes a status queue entry with the FW and EPD bits set. It then discards cells on that channel until the channel has recovered from the firewall condition.

All AAL5 PDU's discarded under the firewall condition cause the AAL5_DSC_CNT counter to be incremented. Recovery occurs only on a BOM or SSM cell when the credit is rechecked.

5.4.11.3 Credit Return

The user returns credit, at the same time the buffer is recovered to the free buffer queue, by writing the third word of the free buffer queue. The VCC_INDEX is written to the channel to which credit is returned. The FWD_VLD bit is set to a logic high, and the QFC bit is set to a logic low. The RSM coprocessor increments the RX_COUNTER[15:0] of the applicable channel. For proper operation of the update interval function, buffers must be returned at the same time as credits are returned.

Credits are returned to VCCs through Bank 0 free buffer queues. In order to return buffer credits independently from buffer usage, the RS8234 maintains a separate read pointer into free buffer queues that return credits. This pointer name is FORWARD, in the free buffer queue base table entry. The host determines the number of Bank 0 free buffer queues that return credits by setting FWD_EN in the RSM_FQCTRL register.

The RS8234 “snoops” writes to free buffer queues that return firewall credits. When a write completes, the RS8234 will begin processing firewall return credits on that queue. The third word of each entry will be read, and if FWD_VLD is set, a credit will be added to the VCC_INDEX indicated. The RS8234 will continue to process credit return entries until FWD_VLD is zero. Multiple free buffer queues might have credit return entries outstanding at one time. The RS8234 will process the entries according to the priority set in FWD_RND in the RSM_FQCTRL register. If FWD_RND is a logic low, the RS8234 will exhaust the credit returns on the highest number active queue before proceeding to other queues. Otherwise, it will service the queues in round-robin order.

Before the reassembly coprocessor is enabled, the host must initialize the FORWARD read pointer to the first entry where credit will be returned. Typically, this will be the first entry after the initial buffers placed on the queue.

5.5 Global Statistics

To meet the requirements of ILMI (ATM Forum) and AToM (RFC1695) documents, three register based counters are implemented. They are:

- CELL_RCVD_CNT - Number of cells received that map to active channels.
- CELL_DSC_CNT - Number of cells received that map to inactive channels. This includes idle cells, since those channels will be turned off.
- AAL5_DSC_CNT - Number of AAL5 CPCS-PDU's discarded due to per channel firewall, buffer queue underflow, FIFO full packet discard, status queue overflow, or maximum CPCS-PDU length exceeded on non-EOM cells.

The first two counters are implemented as 32-bit counters, and the third is a 16-bit counter. All three are set to zero upon a reset and are not reset to zero upon a read of the counter by the host. The counters roll over and optionally cause an interrupt upon rollover.

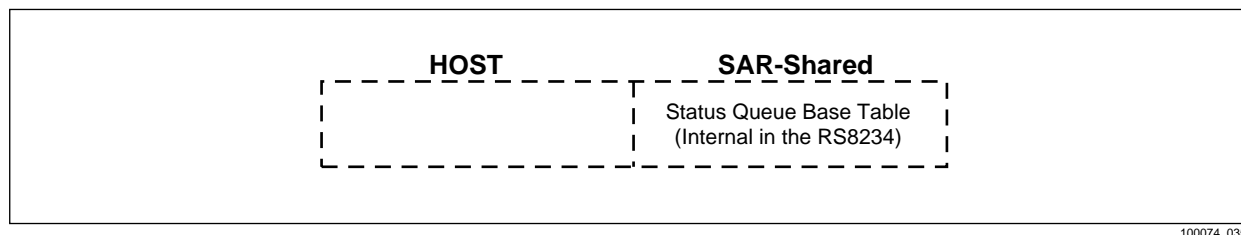
5.6 Status Queue Operation

The RS8234 reports reassembly status to the host via the reassembly status queue. The reassembly coprocessor normally writes a status queue entry when a complete CPCS-PDU has been reassembled. One field of the status queue entry (BD_PNTR) points to the first buffer descriptor in the linked list of buffer descriptors for that reassembled PDU, and the rest of the fields of that status queue entry provide data on the status of the reassembled PDU, then used by the host in directing further processing.

5.6.1 Structure

Two data structures are maintained as illustrated in [Figure 5-14](#): one in host memory and one in SAR shared memory. The status queues (HSTAT_QU) reside in host memory, and the status queue base table resides in SAR shared memory, and allows for up to 32 independent circular status queues.

Figure 5-14. Data Structure Locations for Status Queues



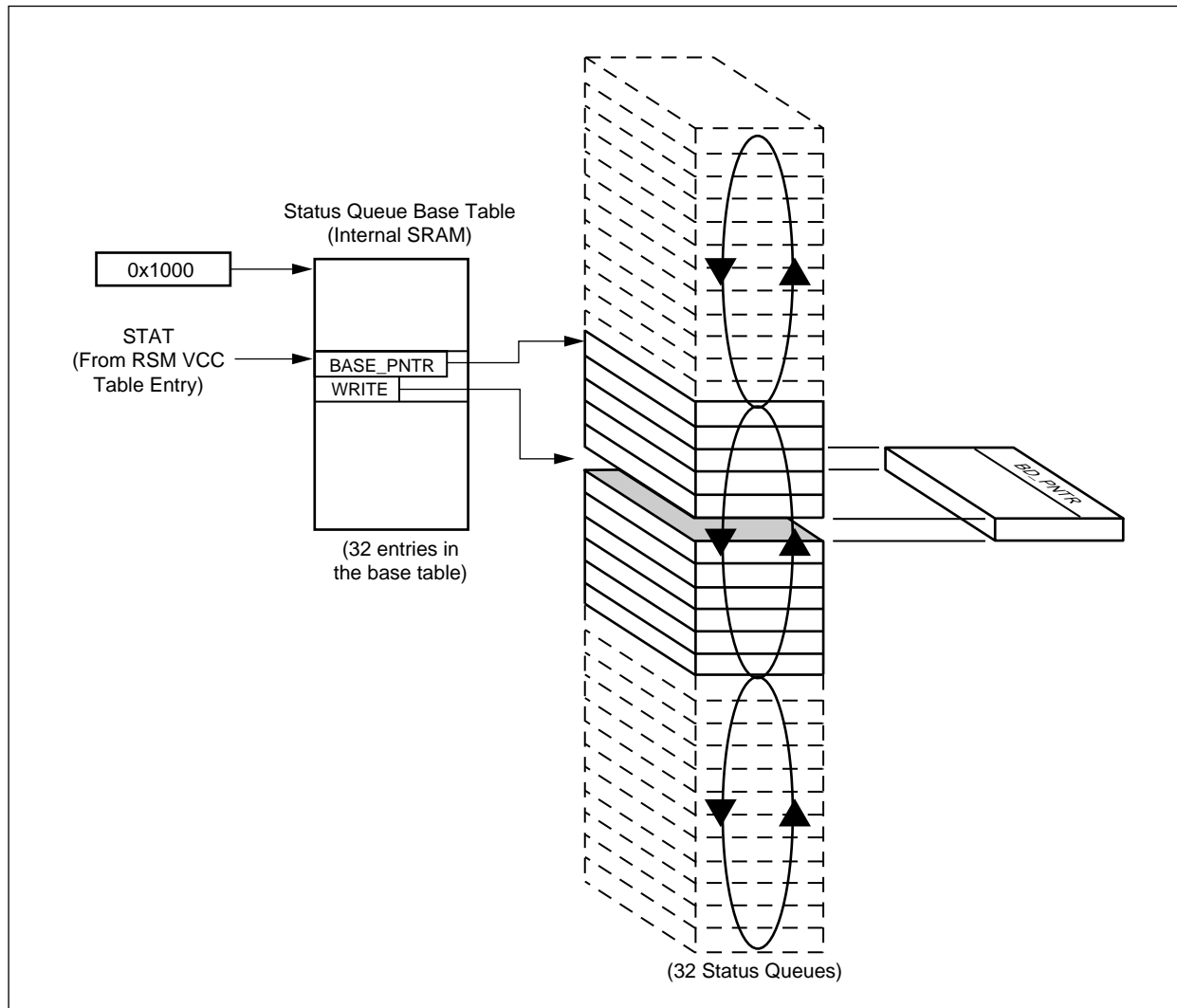
100074_035

The status queue base table is located at 0x001000 in internal SRAM. The status queue base table contains status queue base information for up to 32 queues. The queues are accessed via a status pool number, the STAT field in the RSM VCC Table. This field is used as an index to the correct status queue base table entry.

The BASE_PNTR field in the status queue base table entry, points to the base address of the status queue associated with that status queue base table entry. The WRITE field is the index pointer maintained by the RS8234, incremented each time a status queue entry is written, to point to the next status queue entry for that status queue.

Figure 5-15 illustrates this structure.

Figure 5-15. Status Queue Structure Format



100074_036

5.6.1.1 Setup At system initialization, set up the following fields in each of the status queue base table entries:

- Write the base address of the corresponding status queue in the BASE_PNTR field.
- Initialize the WRITE and READ_UD fields to zeroes.
- Set the SIZE field for the size of the corresponding status queue.
- Set the LOCAL bit to a status high if the status queue is in local memory; otherwise set the bit to a logic low.

In addition, initialize each status queue entry in all 32 status queues by setting the VLD bit to a logic low.

Initialize the READ pointers to zero for each status queue.

5.6.1.2 Operation

The reassembly coprocessor normally writes a status queue entry when a complete CPCS-PDU has been reassembled. It also writes a status queue entry for each received OAM cell.

Each time the RSM coprocessor writes a status queue entry, it sets the VLD bit in the entry to a logic high, and increments the WRITE pointer in the status queue base table entry for that status queue.

When the host processes the status queue, it reads entries based on the host READ pointer for that status queue. It reads only the VLD bit at first before reading any other word, in order to maintain data coherency.

When the host finds the VLD bit set to a logic high, it processes the status queue entry, increment the host READ counter and reset the VLD bit to a logic low. The host also periodically writes the READ counter value to the READ_UD field in the status queue base table entry for that queue.

When in Message Mode, the RSM coprocessor writes a status entry at the completion of a CPCS-PDU. Optionally, a status entry can be written at both the beginning and end of a message, to allow the host to initiate protocol header processing in advance of receiving the complete message. The host can then traverse the linked cell buffers to collect the complete CPCS-PDU.

If the BINTR bit in the RSM VCC Table entry is a logic high, the RSM coprocessor writes an additional status queue entry at the completion of the first buffer of a CPCS-PDU. This status queue entry is delineated by the BOM bit set and the EOM bit cleared. This allows the host to begin packet processing before reception of the complete CPCS-PDU. In this case only the BD_PNTR and VCC_INDEX fields are valid in that status queue entry.

The STM_MODE bit in the RSM VCC Table, being set to a logic high, activates Streaming Mode for that channel. In this mode, the RSM coprocessor writes a status entry for each completed buffer. The BD_PNTR field in the status entry points to the corresponding buffer descriptor for that single buffer. Only the last status entry for that CPCS-PDU, with EOM bit a logic high, contains valid status data for that PDU.

Refer to [Chapter 2.0](#) for more detailed information on the operation of status queues.

5.6.1.3 Errors

The RSM coprocessor also writes a status entry for several error conditions, including:

- Reassembly time-out
- Early packet discard
- Per-channel firewall
- CPCS abort

To ensure that an error indication occurs even if no CPCS-PDUs are being reassembled on channels having free buffer queues in the empty state, a BOM cell will cause a status queue entry to be written. If a BOM cell is received and no early packet discards have occurred on channels mapped to the empty free buffer queue, then a status queue entry is written with the BOM and UNDF bits set to a logic high, and either the RSM_HF_EMPT bit in the HOST_ISTAT1 register or the RSM_LF_EMPT bit in the LP_ISTAT1 register is set to a logic high. This status does not point to a linked list of buffer descriptors. It will be written a maximum of once per free buffer queue empty condition.

5.6.1.4 Host Detection of Status Queue Entries

The host can use either a polling operation or an interrupt routine to detect new status queue entries.

To poll each status queue, the host continuously reads the VLD bit at the current READ position until it returns a logic high. The host then processes the status entry, writes the VLD bit to a logic low and increments its current READ pointer. Periodically, the host writes the current READ index value into the READ_UD field of the status queue base table entry.

The host can also use an interrupt routine to process status queues. When the reassembly coprocessor writes a status queue entry into host memory, the HOST_ISTAT0 (RSM_HS_WRITE) bit is set to a logic high to prompt an interrupt. Upon receiving an interrupt, the host reads HOST_ST_WR (RSM_HS_WRITE[15:0]) to determine which host memory status queue(s) caused the interrupt.

NOTE: Note that only status queues 0–15 are reported in this register.

A typical operation for the interrupt manager would be to only read HOST_ISTAT1 upon receiving an interrupt, and periodically read HOST_ISTAT0 to insure that no error conditions have occurred. Once the interrupt manager has determined which status queue(s) caused the interrupt, the host would start reading the appropriate status queues at their current read location. The host processes status entries until reading an entry with the VLD bit set to logic low. Again, the host periodically writes the current READ index value into the READ_UD field of the status queue base table entry.

5.6.2 Status Queue Overflow or Full Condition

A status queue overflow or full condition is entered when the last available status queue entry is written. The reassembly coprocessor detects the condition by comparing the WRITE+1 and READ_UD index pointers. If the pointers are equal, a status overflow condition is detected and the RSM coprocessor sets the internal OVFL bit in the last status queue entry written to a logic high, to indicate the condition. The RSM coprocessor also sets to one either the RSM_HS_FULL bit in the HOST_ISTAT1 register, or the RSM_LS_FULL bit in the LP_ISTAT1 register, to prompt an interrupt.

While the reassembly coprocessor is in status full condition, it discards all cells. If a COM or EOM cell is received while the status queue is full, the channel is marked for status full packet discard. When an SSM, EOM, or OAM cell is received during a status full condition, the cell is discarded and the status queue checked. If there is now room in the status queue, then the status full condition is exited.

For multiple peer configurations, an interrupt manager can be configured by the user to detect the full condition and advise the peers to check if their queues have overflowed. Each peer would then check the OVFL bit in the last status queue entry written (pointed to by READ_UD – 1), to determine if that peer's status queue has filled. If the OVFL bit is not set to a logic high, the host should also check the entry pointed to by (READ_UD – 2) to determine if an overflow condition occurred during a host update of the READ_UD index pointer. Since the reassembly coprocessor recovers from the overflow condition automatically, the host does not have to determine which queue overflowed.

After a status group has exited a full condition, the RSM coprocessor performs EPD on channels marked for packet discard due to the status overflow condition when a cell is received on any of those channels. Cells up to and including the next EOM will also be discarded. Status queue overflow protection can be globally disabled by setting RSM_CTRL0(RSM_STAT_DIS) to a logic high.

NOTE: Avoid having the Status Queue Overflow (or Full Condition) and DMA FIFO Buffer Full conditions at the same time.

5.7 Reassembly Control and Status Structures

5.7.1 Channel Lookup Structures

The reassembly coprocessor uses a VPI/VCI Table Index mechanism employing direct index lookup in order to assign each arriving cell to a virtual channel, based on its VPI/VCI value. Figure 5-16 illustrates this lookup mechanism.

Figure 5-16. VPI/VCI Channel Lookup Structure

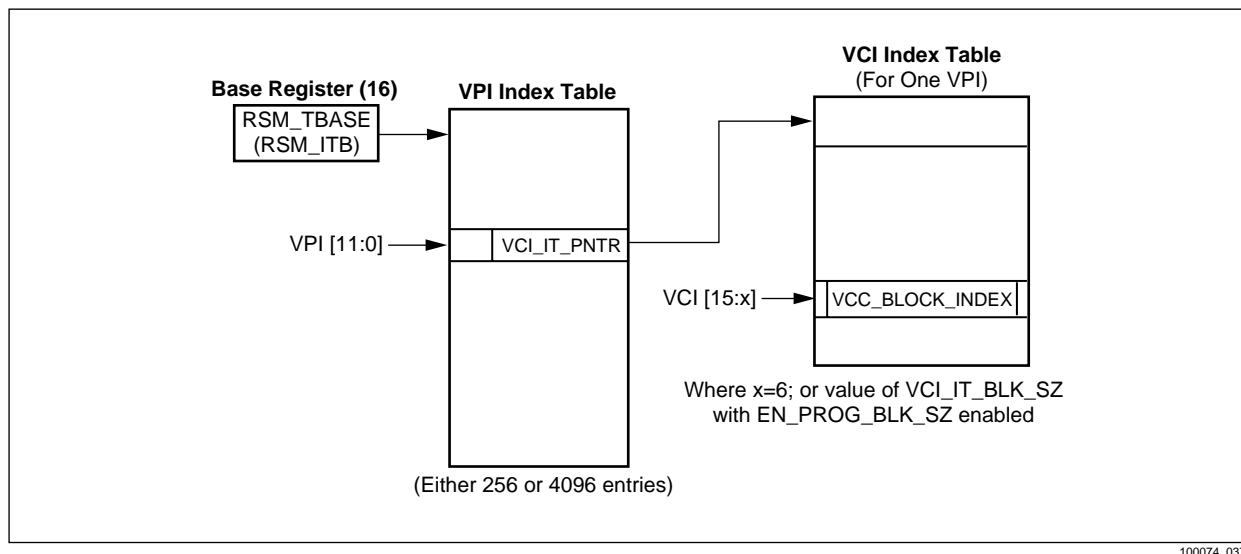


Table 5-3 describes the normal VPI Index Table format (one word per entry) without EN_PROG_BLK_SZ (RSM_CTRL1) enabled.

Table 5-4 describes the VPI Index Table format (two words per entry) with programmable VCC Table and VCI Index Table block size enabled.

Table 5-5 describes the field definitions for the VPI Index Table fields.

Table 5-3. Normal VPI Index Table Entry Format

Word	31	30	29	28	27	26	25	24	23	22	21	20	19	18	17	16	15	14	13	12	11	10	9	8	7	6	5	4	3	2	1	0
0	VP_EN	VCI_RANGE										VCI_IT_PNTR																				

Table 5-4. VPI Index Table Entry Format with EN_PROG_BLK_SZ(RSM_CTRL1) Enabled

Word	31	30	29	28	27	26	25	24	23	22	21	20	19	18	17	16	15	14	13	12	11	10	9	8	7	6	5	4	3	2	1	0
0	VP_EN	Reserved										VCI_IT_PNTR																				
1		Reserved										VCI_RANGE																				

Table 5-5. VPI Index Table Entry Descriptions

Field Name	Description/Function
VP_EN	Enables the VPI for lookup processing. If not enabled, cell is discarded, and the CELL_DSC_CNT counter is incremented.
VCI_RANGE	Determines the maximum VCI value allowed. If cell VCI exceeds maximum, cell is discarded, and counted as CELL_DSC_CNT. In normal operation, the 10 Most Significant Bits can be set by the user, with the 6 Least Significant Bits set at 1. When EN_PROG_BLK_SZ(RSM_CTRL1) is enabled, all 16 bits of the field can be set by the user.
VCI_IT_PNTR	VCI Index Table Base Pointer. Points to the base of the VCI Index Table for the VPI by appending two least significant zero bits to form a byte address.

[Table 5-6](#) describes the VCI Index Table format without the programmable VCC Table and VCI Index Table block size enabled.

[Table 5-7](#) describes the VCI Index Table format with EN_PROG_BLK_SZ (RSM_CTRL1) enabled.

[Table 5-8](#) describes the VCI Index Table Descriptions.

Table 5-6. Normal VCI Index Table Format

Word	31	30	29	28	27	26	25	24	23	22	21	20	19	18	17	16	15	14	13	12	11	10	9	8	7	6	5	4	3	2	1	0
0	Reserved										VCC_BLOCK_INDEX						Reserved															

Table 5-7. VCI Index Table Format with EN_PROG_BLK_SZ(RSM_CTRL1) Enabled

Word	31	30	29	28	27	26	25	24	23	22	21	20	19	18	17	16	15	14	13	12	11	10	9	8	7	6	5	4	3	2	1	0
0	BLK_EN	Reserved										VCC_BLOCK_INDEX																				

Table 5-8. VCI Index Table Descriptions

Field Name	Description/Function
BLK_EN	Block Enable. If logic high, enables entry. If a logic low, the cell is discarded.

Table 5-8. VCI Index Table Descriptions

Field Name	Description/Function
VCC_BLOCK_INDEX	<p>VCC block index.</p> <p>When EN_PROG_BLK_SZ is not enabled, this is the index to the block of 64 RSM VCC Table entries allocated to VCI[15:6]. In this case, VCC_BLOCK_INDEX is concatenated with the six least significant bits of the VCI to form the index into the RSM VCC Table to access the VCC Table entry for that channel.</p> <p>When EN_PROG_BLK_SZ is enabled, the [16 - (value of VCI_IT_BLK_SZ)] most significant bits of VCC_BLK_INDEX are concatenated with the [(value of VCI_IT_BLK_SZ) - 1] least significant bits of the VCI to form the index into the VCC Table to access the VCC Table entry. For example, if the value of VCI_IT_BLK_SZ = 4, then the resultant RSM VCC_INDEX pointer = {VCC_BLK_INDEX[15:4], CELL_VCI[3:0]}.</p>

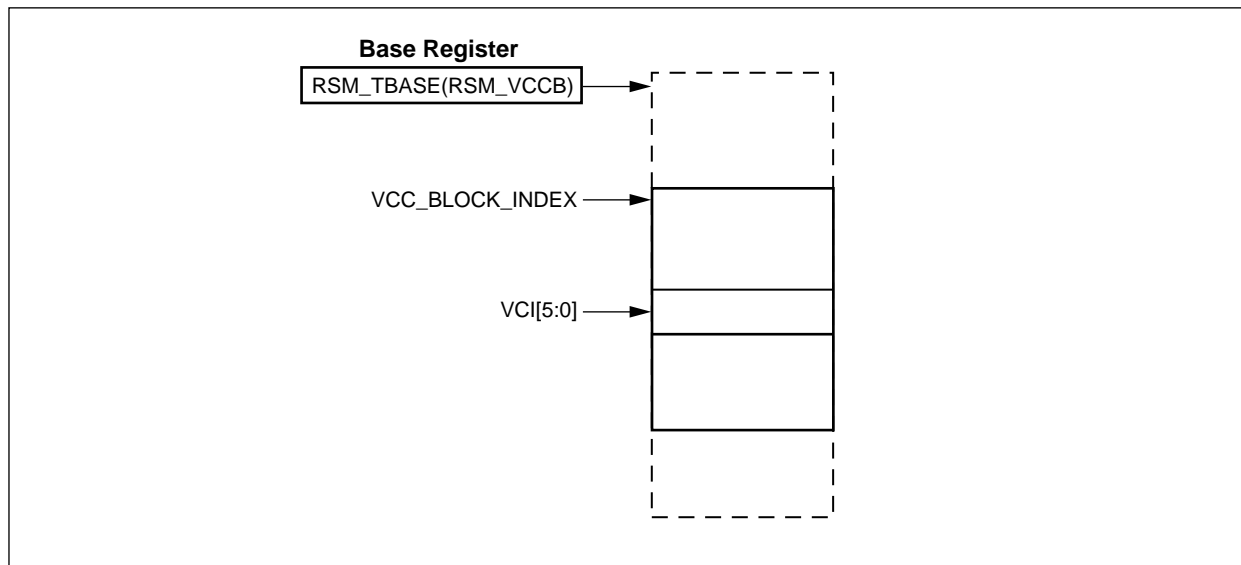
5.7.2 Reassembly VCC Table

Each reassembly VCC Table entry occupies one 12-word descriptor of the reassembly VCC Table.

There are three basic formats for the reassembly VCC Table entry — AAL5, AAL0, and AAL3/4. Each completely describe the state of the reassembly process for individual VCCs. In addition, the AAL3/4 Head VCC Table entry describes the AAL3/4-specific reassembly process state for an AAL3/4 VCC.

Figure 5-17 illustrates the VCC Table entry lookup mechanism as a continuation from Figure 5-16.

Figure 5-17. Reassembly VCC Table Entry Lookup Mechanism



100074_038

5.7.2.1 AAL5, AAL0, and AAL3/4 VCC Table Entries

Table 5-9 describes the format of AAL5 reassembly VCC Table entries. Table 5-10 describes the format of AAL0 RSM VCC Table entries. Table 5-11 describes the format of AAL3/4 RSM VCC Table entries.

KEY:

	= Written by host at VCC setup.
	= May be dynamically modified during active reassembly.

Table 5-9. Reassembly VCC Table Entry Format - AAL5

Word	31	30	29	28	27	26	25	24	23	22	21	20	19	18	17	16	15	14	13	12	11	10	9	8	7	6	5	4	3	2	1	0
0	VC_EN	AAL_TYPE	DPRI				Reserved				FF_DSC	TO_INDEX			PM_INDEX				AAL_EN													
1	TO_LAST	TO_EN	CUR_TOCNT								ER_EFCI	Reserved				ABR_CTRL																
2	PDU_FLAGS				Reserved				TOT_PDU_LEN																							
3	CRCREM																															
4	CBUFF_LEN								EW	STAT				BFR1				BFR0														
5	CBUFF_PNTR																															
6	BOM_BD_PNTR																Rsvd															
7	CURR_BD_PNTR																Rsvd	CBFR1														
8	SEG_VCC_INDEX								SERV_DIS																							
9	Reserved								RX_COUNTER/VPC_INDEX																							
10	Reserved																															
11	Reserved																															

Table 5-10. Reassembly VCC Table Entry Format - AAL0

Word	31	30	29	28	27	26	25	24	23	22	21	20	19	18	17	16	15	14	13	12	11	10	9	8	7	6	5	4	3	2	1	0
0	VC_EN	AAL_TYPE	DPRI				Reserved				TO_INDEX	PM_INDEX				AAL_EN																
1	TO_LAST	TO_EN	CUR_TOCNT								ER_EFCI	Reserved				ABR_CTRL																
2	PDU_FLAGS				Reserved				TOT_PDU_LEN																							
3	CCOUNT								TCOUNT																							
4	CBUFF_LEN								FW	STAT		BFR1		BFR0																		
5	CBUFF_PNTR																															
6	BOM_BD_PNTR																Rsvd															
7	CURR_BD_PNTR																Rsvd	CBFR1														
8	SEG_VCC_INDEX								SERV_DIS																							
9	Reserved								RX_COUNTER/VPC_INDEX																							
10	Reserved																															
11	Reserved																															

See the following tables for the AAL3/4 Head VCC structure and field definitions.

Table 5-11. Reassembly VCC Table Entry Format - AAL3/4

Word	31	30	29	28	27	26	25	24	23	22	21	20	19	18	17	16	15	14	13	12	11	10	9	8	7	6	5	4	3	2	1	0
0	VC_EN	AAL_TYPE	DPRI				Reserved				FF_DSC	TO_INDEX	PM_INDEX				AAL_EN															
1	TO_LAST	TO_EN	CUR_TOCNT								ER_EFCI	Reserved				ABR_CTRL																
2	PDU_FLAGS				Reserved				TOT_PDU_LEN																							
3	BASIZE								Rsvd	NEXT_ST	NEXT_SN		BTAG																			
4	Reserved								Rsvd	STAT		BFR1		BFR0																		
5	CBUFF_PNTR																															
6	BOM_BD_PNTR																Rsvd															
7	CURR_BD_PNTR																Rsvd	CBFR1														
8	SEG_VCC_INDEX								SERV_DIS																							
9	Reserved								RX_COUNTER/VPC_INDEX																							
10	Reserved								Reserved																							
11	Reserved								Reserved																							

Table 5-12 illustrates the PDU_FLAGS field bit definitions. Table 5-13 illustrates the ABR_CTRL field bit definitions. Table 5-14 illustrates the AAL_EN field bit definitions.

Table 5-12. PDU_FLAGS Field Bit Definitions

Bit	31	30	29	28	27	26	25	24	23	22
	CNT_ROVR	SFPD_PND	EPD	CI	CLP	BFR_LOCAL	BD_LOCAL	ACT_PDU	BOM_BUF	FFPD_PND

Table 5-13. ABR_CTRL Field Bit Definitions

Bit	7	6	5	4	3	2	1	0
	ER_EN	Reserved	Reserved	ABR_VPC	Reserved	Reserved	Reserved	Reserved

Table 5-14. AAL_EN Field Bit Definitions

Bit	9	8	7	6	5	4	3	2	1	0
	PM_EN	FIFO_EN	LNK_EN	FW_EN	M52_EN	BINTR	STM_MODE	LECID_EN	FRD_EN	CLPD_EN

Table 5-15 details the descriptions of the reassembly VCC Table fields.

Table 5-15. Reassembly VCC Table Descriptions (1 of 3)

Field Name	Description/Function																				
VC_EN	Enables the VCC Table entry. If disabled, the cell is discarded.																				
AAL_TYPE	When VC_EN is a logic high, configure channel to process specific AA; otherwise, when VC_EN is a logic low, a value of "11" will cause the CELL_DSC_CNT counter not to be incremented. 00 - AAL5 01 - AAL0 10 - AAL3/4 11 - Reserved																				
DPRI	Discard Priority value. Compared against global priority in CLP and Frame Relay discard modes to determine discard eligibility. In LANE-LECID echo suppression mode, this field is the index into the LECD table that holds channel LECD values.																				
FF_DSC	FIFO Full Discard. When a logic high, cells will be discarded when incoming DMA FIFO is almost full. This includes OAM cells when RSM_CTRL1(OAM_QU_EN) is a logic low.																				
TO_INDEX	Selects one of eight INIT_TOCNT values in internal SRAM.																				
PM_INDEX	Pointer to a PM OAM processing word. Index with reference to top of VPI Index table.																				
AAL_EN	<p>Enable various cell processes. The AAL_EN field contains the following control bits:</p> <table border="1" style="margin-left: auto; margin-right: auto;"> <tr> <td style="text-align: center;">9</td> <td style="text-align: center;">8</td> <td style="text-align: center;">7</td> <td style="text-align: center;">6</td> <td style="text-align: center;">5</td> <td style="text-align: center;">4</td> <td style="text-align: center;">3</td> <td style="text-align: center;">2</td> <td style="text-align: center;">1</td> <td style="text-align: center;">0</td> </tr> <tr> <td style="text-align: center;">PM_EN</td> <td style="text-align: center;">FIFO_EN</td> <td style="text-align: center;">LNK_EN</td> <td style="text-align: center;">FW_EN</td> <td style="text-align: center;">M52_EN</td> <td style="text-align: center;">BINTR</td> <td style="text-align: center;">STM_MODE</td> <td style="text-align: center;">LECID_EN</td> <td style="text-align: center;">FRD_EN</td> <td style="text-align: center;">CLPD_EN</td> </tr> </table> <p>PM_EN—Enable PM OAM processing on this channel. FIFO_EN—Enable Logical FIFO mode. LNK_EN—Enable writing of buffer descriptor NEXT field. FW_EN—Enable firewall processing. Used in conjunction with FWALL_EN bit in RSM_CTRL0. M52_EN—f set high, all 52 octets of the cell are written to a cell buffer. BINTR—Enable interrupt after BOM buffer filled in Message Mode. STM_MODE—Enable Streaming Mode. LECD_EN—Enable LANE-LECID echo suppression. Invalid in AAL3/4. FRD_EN—Enable frame relay DE (Discard Eligibility) mode. Invalid in AAL3/4. CLPD_EN—Enable CLP discard mode. Invalid in AAL3/4.</p>	9	8	7	6	5	4	3	2	1	0	PM_EN	FIFO_EN	LNK_EN	FW_EN	M52_EN	BINTR	STM_MODE	LECID_EN	FRD_EN	CLPD_EN
9	8	7	6	5	4	3	2	1	0												
PM_EN	FIFO_EN	LNK_EN	FW_EN	M52_EN	BINTR	STM_MODE	LECID_EN	FRD_EN	CLPD_EN												

Table 5-15. Reassembly VCC Table Descriptions (2 of 3)

Field Name	Description/Function																				
PDU_FLAGS	<p>Set various flags related to PDUs. The PDU_FLAGS field contains the following control bits:</p> <table border="1" style="margin-left: auto; margin-right: auto;"> <tr> <td style="text-align: center;">31</td> <td style="text-align: center;">30</td> <td style="text-align: center;">29</td> <td style="text-align: center;">28</td> <td style="text-align: center;">27</td> <td style="text-align: center;">26</td> <td style="text-align: center;">25</td> <td style="text-align: center;">24</td> <td style="text-align: center;">23</td> <td style="text-align: center;">22</td> </tr> <tr> <td style="text-align: center;">CNT_ROVR</td> <td style="text-align: center;">SFPD_PND</td> <td style="text-align: center;">EPD</td> <td style="text-align: center;">CI</td> <td style="text-align: center;">CLP</td> <td style="text-align: center;">BFR_LOCAL</td> <td style="text-align: center;">BD_LOCAL</td> <td style="text-align: center;">ACT_PDU</td> <td style="text-align: center;">BOM_BUF</td> <td style="text-align: center;">FFPD_PND</td> </tr> </table> <p> CNT_ROVR—Indication that SERVICE_CNT counters have rolled over. The next status entry will indicate this condition. SFPD_PND—Status Full Packet Discard Pending. Set when status queue is full, and CPCS needs to be discarded when status entries available. EPD—EPD Flag. Set when early packet discard occurs on a channel. Cleared when new packet starts and error condition cleared. CI —Congestion Indication. PTI[1] header bit ORed across the CPCS-PDU. CLP—Cell Loss Priority. CLP header bit ORed across the CPCS-PDU. BFR_LOCAL—Buffer Local. If high, the current cell buffer is located in local memory; otherwise, host memory. SAR maintains this bit. BD_LOCAL—Buffer Descriptor Local. If high, the buffer descriptors reside in local memory; otherwise, host memory. SAR maintains this bit. ACT_PDU—Active PDU. Indication that at least one buffer has been taken off of the free buffer queue for the current PDU being received. BOM_BUF—BOM buffer flag. Set high when filling the first buffer of a PDU. FFPD_PND—DMA FIFO Full Packet Discard Pending. </p>	31	30	29	28	27	26	25	24	23	22	CNT_ROVR	SFPD_PND	EPD	CI	CLP	BFR_LOCAL	BD_LOCAL	ACT_PDU	BOM_BUF	FFPD_PND
31	30	29	28	27	26	25	24	23	22												
CNT_ROVR	SFPD_PND	EPD	CI	CLP	BFR_LOCAL	BD_LOCAL	ACT_PDU	BOM_BUF	FFPD_PND												
ER_EFCI	ER EFCI bit of the previous data cell.																				
ABR_CTRL	<p>Set various control bits related to QFC. The QFC_CTRL field contains the following control bits:</p> <table border="1" style="margin-left: auto; margin-right: auto;"> <tr> <td style="text-align: center;">6</td> <td style="text-align: center;">5</td> <td style="text-align: center;">4</td> <td style="text-align: center;">3</td> <td style="text-align: center;">2</td> <td style="text-align: center;">1</td> <td style="text-align: center;">0</td> </tr> <tr> <td style="text-align: center;">ER_EN</td> <td style="text-align: center;">Reserved</td> <td style="text-align: center;">ABR_VPC</td> <td style="text-align: center;">Reserved</td> <td style="text-align: center;">Reserved</td> <td style="text-align: center;">Reserved</td> <td style="text-align: center;">Reserved</td> </tr> </table> <p> ER_EN—Enable ER operation. ABR_VPC—Indicates ER connection is VPC (zero indicates VCC). For VPC operation, all VCC entries in the VPC group except VCI=6, must be initialized with VPC_INDEX pointing to the VCC entry corresponding with VCI=6. The VCI=6 entry contains the integrated EFCI bit over the VPC group. Also, all entries in the VPC group including VCI=6 must set the ABR_VPC bit to a logic high. </p>	6	5	4	3	2	1	0	ER_EN	Reserved	ABR_VPC	Reserved	Reserved	Reserved	Reserved						
6	5	4	3	2	1	0															
ER_EN	Reserved	ABR_VPC	Reserved	Reserved	Reserved	Reserved															
TOT_PDU_LEN	Total PDU length in bytes.																				
TO_LAST	Indicates the last VCC table entry to process for time-out.																				
TO_EN	Enable time-out processing on the channel.																				
CUR_TOCNT	Current time-out counter for the channel.																				
CRCREM	Cycle Redundancy Check Remainder. CRC32 remainder used in AAL5 only.																				
CCOUNT	Termination Cell count. Used in AAL0 to terminate packet. When PTI termination mode is enabled, the maximum total length of a CPCS-PDU is CCOUNT * 2 bytes. In fixed length mode, initialize to one.																				
TCOUNT	Termination Count. Used in AAL0 to determine the number of cells in a packet. If this field is zero in AAL0 mode, then PTI termination mode is enabled.																				
CBUFF_LEN	Current bufferlength. Unused space of the current buffer in bytes.																				
FW	Firewall condition. Indicates that a firewall condition has occurred.																				

Table 5-15. Reassembly VCC Table Descriptions (3 of 3)

Field Name	Description/Function
BASIZE	AAL3/4 BAsize field. Used to record the BAsize field from the AAL3/4 PDU, in order to check against the LENGTH field in the AAL3/4 PDU trailer.
NEXT_ST	Next Segment Type (ST) expected.
NEXT_SN	Next Sequence Number (SN) expected.
BTAG	Records the AAL3/4 CPCS-PDU's Btag field, in order to check against the Etag field in the CPCS-PDU trailer.
STAT	Status queue pool number.
BFR1	COM free buffer queue pool number.
BFR0	BOM free buffer queue pool number.
CBUFF_PNTR	Current buffer pointer. Pointer to the current unused position of the cell buffer where cell payload data may be written. In Logical FIFO Mode, the address of the FIFO.
BOM_BD_PNTR	BOM buffer descriptor pointer. Pointer to the BOM buffer descriptor.
CBFR1	Current BFR1 indication. A logic high indicates that current buffer is from BFR1 pool and logic low indicates from BFR0 pool.
CURR_BD_PNTR	Current buffer descriptor pointer. Pointer to the buffer descriptor corresponding to the current buffer in use.
SEG_VCC_INDEX	Channel index of corresponding segmentation channel. Used by ER and PM-OAM processing.
SERV_DIS	Service Discard counter. Counts the number of CPCS-PDUs discarded due to either LANE_LECID echo suppression, CLP discard, or frame relay DE discard.
RX_COUNTER/ VPC_INDEX	When ABR_VPC is a logic low, RX_COUNTER is the firewall mode credit counter. When ABR_VPC is a logic high, VPC_INDEX is used to control a VPC group. See ABR_VPC for description of this field.

5.7.2.2 AAL3/4 Head VCC Table Entry Table 5-16 shows the AAL3/4 Head VCC Table structure. Table 5-17 details the AAL3/4 Head VCC Table field definitions.

Table 5-16. AAL3/4 Head VCC Table Entry Format

Word	31	30	29	28	27	26	25	24	23	22	21	20	19	18	17	16	15	14	13	12	11	10	9	8	7	6	5	4	3	2	1	0
0	VC_EN	AAL_TYPE	Reserved									FF_DSC	Rsvd			PM_INDEX				AAL_EN												
1	TO_LAST	TO_EN	Rsvd	MIDO	MID_BITS			CRC10_EN	LI_EN	ST_EN	SN_EN	CPI_EN	BAT_EN	BAH_EN	Rsvd	ER_EFCI	Reserved				ABR_CTRL											
2	Reserved										VCC_INDEX_BASE																					
3	Reserved																															
4	Reserved														Rsvd	STAT			BFR1			BFR0										
5	CRC10_ERR														MID_ERR																	
6	LI_ERR														SN_ERR																	
7	BOM_SSM_ERR														EOM_ERR																	
8	SEG_VCC_INDEX														Reserved																	
9	Reserved														RX_COUNTER/VPC_INDEX																	
10	Reserved														Reserved																	
11	Reserved														Reserved																	

Table 5-17. AAL3/4 Head VCC Table Descriptions (1 of 3)

Field Name	Description/Function
VC_EN	Enables the VCC table entry. If disabled, the cell is discarded.
AAL_TYPE	When VC_EN is a logic high, configure channel to process specific AAL; otherwise, when VC_EN is a logic low, a value of "11" will cause the CELL_DSC_CNT counter not to be incremented. 00 - AAL5 01 - AAL0 10 - AAL3/4 11 - Reserved
FF_DSC	FIFO Full Discard. When a logic high and RSM_CTRL1(OAM_QU_EN) is a logic low, OAM cells will be discarded when the incoming DMA FIFO is almost full.
PM_INDEX	Pointer to a PM-OAM processing word. Index with reference to top of VPI Index Table. Used by the OAM cells detected on AAL3/4 channels.
AAL_EN	Same as AAL_EN field in standard RSM VCC entry. Used by OAM cells detected on AAL3/4 channels.
MIDO	When logic high, allow a MID value of zero; otherwise, zero is invalid.

Table 5-17. AAL3/4 Head VCC Table Descriptions (2 of 3)

Field Name	Description/Function																																		
MID_BITS	<p>Number of significant bits for MID field. Defines the limit of MID values allowed for the AAL3/4 Virtual Connection. If the MID_BITS subfield is nonzero and the AAL_TYPE is AAL3/4, CPCS_MID multiplexing processing is enabled. A MID of zero is valid only if MID0 is a logic high. MID_BITS is decoded as follows:</p> <table border="1"> <thead> <tr> <th>MID_BITS</th> <th>Range of MID values</th> </tr> </thead> <tbody> <tr> <td>0000</td> <td>MID processing disabled</td> </tr> <tr> <td>0001</td> <td>0 / 1-1</td> </tr> <tr> <td>0010</td> <td>0 / 1-3</td> </tr> <tr> <td>0011</td> <td>0 / 1-7</td> </tr> <tr> <td>0100</td> <td>0 / 1-15</td> </tr> <tr> <td>0101</td> <td>0 / 1-31</td> </tr> <tr> <td>0110</td> <td>0 / 1-63</td> </tr> <tr> <td>0111</td> <td>0 / 1-127</td> </tr> <tr> <td>1000</td> <td>0 / 1-255</td> </tr> <tr> <td>1001</td> <td>0 / 1-511</td> </tr> <tr> <td>1010</td> <td>0 / 1-1023</td> </tr> <tr> <td>1011</td> <td>Reserved</td> </tr> <tr> <td>1100</td> <td>Reserved</td> </tr> <tr> <td>1101</td> <td>Reserved</td> </tr> <tr> <td>1110</td> <td>Reserved</td> </tr> <tr> <td>1111</td> <td>Reserved</td> </tr> </tbody> </table>	MID_BITS	Range of MID values	0000	MID processing disabled	0001	0 / 1-1	0010	0 / 1-3	0011	0 / 1-7	0100	0 / 1-15	0101	0 / 1-31	0110	0 / 1-63	0111	0 / 1-127	1000	0 / 1-255	1001	0 / 1-511	1010	0 / 1-1023	1011	Reserved	1100	Reserved	1101	Reserved	1110	Reserved	1111	Reserved
MID_BITS	Range of MID values																																		
0000	MID processing disabled																																		
0001	0 / 1-1																																		
0010	0 / 1-3																																		
0011	0 / 1-7																																		
0100	0 / 1-15																																		
0101	0 / 1-31																																		
0110	0 / 1-63																																		
0111	0 / 1-127																																		
1000	0 / 1-255																																		
1001	0 / 1-511																																		
1010	0 / 1-1023																																		
1011	Reserved																																		
1100	Reserved																																		
1101	Reserved																																		
1110	Reserved																																		
1111	Reserved																																		
CRC10_EN	If set high, enable AAL3/4 CRC 10 field checking and error counting.																																		
LI_EN	If set high, enable AAL3/4 LI field checking and error counting.																																		
ST_EN	If set high, enable AAL3/4 ST field checking and error counting.																																		
SN_EN	If set high, enable AAL3/4 SN field checking and error counting.																																		
CPI_EN	If set high, enable AAL3/4 CPI field checking.																																		
BAT_EN	If set high, enable AAL3/4 BASIZE \neq Length checking. If low, LENGTH > BASIZE check is performed.																																		
BAH_EN	If set high, enable AAL3/4 BASIZE < 37 checking.																																		
VCC_INDEX_BASE	Pointer to the first VCC table entry for this VCC with MID value = zero. All multiplexed MIDs on this channel are contained in a contiguous block of VCC table entries.																																		
TO_LAST	Indicates the last entry in the VCC Table in which time-out processing occurs.																																		

Table 5-17. AAL3/4 Head VCC Table Descriptions (3 of 3)

Field Name	Description/Function
TO_EN	Enable time-out process of the VCC entry. Must be set to a logic zero.
CRC10_ERR	Number of AAL3/4 cells received with CRC10 error.
MID_ERR	Number of AAL3/4 cells received that did not have an active MID as determined by the MID_BITS and MID0 fields.
LI_ERR	Number of AAL3/4 cells received that had an unexpected LI value.
SN_ERR	Number of AAL3/4 cells received that had an unexpected SN value.
BOM_SSM_ERR	Number of unexpected AAL3/4 BOM or SSM cells received.
EOM_ERR	Number of unexpected AAL3/4 EOM cells received.

5.7.3 Reassembly Buffer Descriptor Structure

Reassembly buffer descriptors reside on word-aligned addresses in host memory. The host controls the allocation and management of reassembly buffer descriptors.

During initialization, in each buffer descriptor entry, the host writes a pointer to an associated reassembly data buffer, in the BUFF_PTR field.

Table 5-18 and Table 5-19 describe the format of the reassembly buffer descriptors.

Table 5-18. Reassembly Buffer Descriptor Structure

Word	31	30	29	28	27	26	25	24	23	22	21	20	19	18	17	16	15	14	13	12	11	10	9	8	7	6	5	4	3	2	1	0
0	NEXT_PTR																															
1	BUFF_PTR																															

Table 5-19. Reassembly Buffer Descriptor Structure Definitions

Field Name	Description/Function
NEXT_PTR	Pointer to the address of the next buffer descriptor.
BUFF_PTR	Pointer to the address of the data cell buffer. NOTE: The SAR does not access this word; the user may place it anywhere in the buffer descriptor.

5.7.4 Free Buffer Queues

The host initializes the free buffer queues in SAR shared memory, and during reassembly processing submits data buffers for reassembly to the free buffer queues.

The free buffer queue base table is located in RS8234 internal memory. [Table 5-20](#) and [Table 5-21](#) describe the format of the free buffer queue base table entries.

Table 5-20. Free Buffer Queue Base Table Entry Format

Word	31	30	29	28	27	26	25	24	23	22	21	20	19	18	17	16	15	14	13	12	11	10	9	8	7	6	5	4	3	2	1	0
0	Reserved						UPDATE						EMPT	BFR_LOCAL	Rsvd	READ																
1	LENGTH											Rsvd	BD_LOCAL	Rsvd	FORWARD																	
2	READ_UD_PNTR																Rsvd															
3	Reserved																															

Table 5-21. Free Buffer Queue Base Table Entry Descriptions

Field Name	Description/Function
UPDATE	Read Index Pointer Update Interval counter.
EMPT	Free buffer queue Empty flag. Used to indicate that an appropriate status entry has been written to indicate the empty condition.
BFR_LOCAL	If logic high, cell buffers located in SAR shared memory, otherwise in host memory.
BD_LOCAL	If logic high, buffer descriptor and READ_UD word are located in SAR shared memory, otherwise in host memory.
READ	Current READ index pointer.
LENGTH	Length in bytes of buffers in queue. Even though LENGTH is in bytes, the user must set the length to a mod-32 bit boundary.
FORWARD	Current Forward Processing Read index pointer (firewalling).
READ_UD_PNTR	Word address in user memory to write READ pointer every UPDATE interval.

Table 5-22 and Table 5-23 describe the format of the free buffer queue entries.

Table 5-22. Free Buffer Queue Entry Format

Word	31	30	29	28	27	26	25	24	23	22	21	20	19	18	17	16	15	14	13	12	11	10	9	8	7	6	5	4	3	2	1	0
0	BUFFER_PNTR																															
1	BD_PNTR																													Rsvd	VLD	
2 ⁽¹⁾	Reserved															Rsvd	FWD_VLD	VCC_INDEX														
3 ⁽¹⁾	(not used)																															
NOTE(S):																																
⁽¹⁾ These words are used only in Bank 0 if RSM_FBQCTL(FBQ0_RTN) = 1.																																

Table 5-23. Free Buffer Queue Entry Descriptions

Field Name	Description/Function
BUFFER_PNTR	Pointer to beginning of cell buffer.
BD_PNTR	Pointer to corresponding cell buffer descriptor.
VLD	Free buffer Valid Bit. If high, location has a valid free buffer.
Rsvd	Always set to zero.
FWD_VLD	Forward Valid. If logic high, word contains valid buffer return information.
VCC_INDEX	Channel of corresponding buffer return.

5.7.5 Reassembly Status Queues

The RS8234 reports reassembly status to the host on any one of 32 reassembly status queues.

At initialization the host assigns the location and size of up to 32 RSM status queues by initializing the reassembly status queue base table entries in RS8234 internal memory. The location and size of each RSM status queue is independently programmable via these base table entries.

Table 5-24 and Table 5-25 describe the format of the reassembly status queue base table entries.

Table 5-26 through Table 5-33 describe the formats of the reassembly status queue entries.

Table 5-24. Reassembly Status Queue Base Table Entry Format

Word	31	30	29	28	27	26	25	24	23	22	21	20	19	18	17	16	15	14	13	12	11	10	9	8	7	6	5	4	3	2	1	0
0	BASE_PNTR																Rsvd	LOCAL														
1	SIZE	Rsvd	WRITE						Rsvd	READ_UD																						

Table 5-25. Reassembly Status Queue Base Table Entry Descriptions

Field Name	Description/Function
BASE_PNTR	Base pointer. Pointer to the base word address of the status queue.
LOCAL	If set high, queue is located in local memory, otherwise it is located in host memory.
SIZE	Size of the status queue. 00 = 64 01 = 256 10 = 1,024 11 = 4,096
WRITE	Current Write index pointer maintained by the SAR.
READ_UD	Periodic Read update index pointer maintained by the user.

Table 5-26. Reassembly Status Queue Entry Format with FWD_PM = 0

Word	31	30	29	28	27	26	25	24	23	22	21	20	19	18	17	16	15	14	13	12	11	10	9	8	7	6	5	4	3	2	1	0
0	BD_PNTR																"00"															
1	UU						CPI						CPCS_LENGTH																			
2	Rsvd	PDU_CHECKS						VCC_INDEX																								
3	VLD	Reserved						Reserved						STATUS		FWD_PM	OAM	STM														

Table 5-27. Reassembly Status Queue Entry Format with FWD_PM = 1

Word	31	30	29	28	27	26	25	24	23	22	21	20	19	18	17	16	15	14	13	12	11	10	9	8	7	6	5	4	3	2	1	0
0	BD_PNTR																											"00"				
1	TRCC0													TRCC0+1																		
2	Rsvd	PDU_CHECKS															VCC_INDEX															
3	VLD	Reserved						BIPV						OVFL		CNT_ROVR		FWD_PM		OAM		STM										

Table 5-28. Reassembly Status Queue Entry Format with FWD_PM = 0 and AAL34 = 1

Word	31	30	29	28	27	26	25	24	23	22	21	20	19	18	17	16	15	14	13	12	11	10	9	8	7	6	5	4	3	2	1	0
0	BD_PNTR																											"00"				
1	HEAD_VCC_INDEX													CPCS_LENGTH																		
2	Rsvd	PDU_CHECKS															VCC_INDEX															
3	VLD	Reserved						AAL34	Reserved						STATUS						FWD_PM		OAM		STM							

Table 5-29. PDU_CHECKS Field Bits

Bit	29	28	27	26	25	24	23	22	21	20	19	18	17	16
	MOD_ERROR	BA_ERROR	AL_ERROR	LEN_ERROR	PAD_ERROR	CPI_ERROR	TAG_ERROR	CRC_ERROR	ST_ERROR	SN_ERROR	LI_ERROR	LP	CI_LAST	CI

Table 5-30. PDU_CHECKS Field Bits with CNT_ROVR = 1 and AAL34 = 1

Bit	29	28	27	26	25	24	23	22	21	20	19	18	17	16
	MOD_ERROR	BA_ERROR	AL_ERROR	LEN_ERROR	PAD_ERROR	CPI_ERROR	TAG_ERROR	CRC_ERROR	ST_EPD	SN_EPD	LI_EPD	A3L2_ERR		

Table 5-31. STATUS Field Bits

Bit	16	15	14	13	12	11	10	9	8
	FFPD	EPD	FW	UNDF	OVFL	SFPD	TO	ABORT	CNT_ROVR

Table 5-32. STM Field Bits

Bit	3	2	1	0
	EOM	BOM	STM_MODE	BFR1

Table 5-33. Reassembly Status Queue Entry Descriptions (1 of 2)

Field Name	Description/Function
BD_PNTR	Buffer descriptor pointer. In Message Mode, pointer to the first buffer descriptor in the linked list. In Streaming Mode, pointer to an individual buffer descriptor.
UU	AAL5 CPCS-UU field.
CPI	AAL5 CPCS-CPI field. In AAL0 PTI terminated mode, the least significant bit contains the most significant bit of the total PDU length. The CPCS_LENGTH field contains the 16 least significant bits.
HEAD_VCC_INDEX	AAL3/4 Head VCC Table entry index. When CNT_ROVR = 1, AAL34 = 1, and FWD_PM = 0, this field along with A3L2_ERR in the PDU_CHECKS field points to the MID that rolled over. This field is also active when CNT_ROVR=0, AAL34=1, and FWD_PM=0.
CPCS_LENGTH	AAL5 CPCS-LENGTH field. In AAL0 PTI terminated mode, it is the 16 least significant bits of the total PDU length. The CPI field contains the most significant bit.
PDU_CHECKS	Set various error flags related to PDUs. MOD_ERROR—AAL3/4 CPCS-PDU is not 32-bit aligned. BA_ERROR—AAL5: Indicates that the total PDU length exceeds maximum length when AUU = 1. AAL3/4: BASIZE field error occurred. AL_ERROR—AAL3/4 AL field is not all zeros. LEN_ERROR—Total CPCS-PDU length exceeds maximum length and not at end of message. PAD_ERROR—Pad field length is not correct. CPI_ERROR—CPI field is not all zero. TAG_ERROR—AAL3/4 Btag and Etag fields in the CPCS-PDU do not match. CRC_ERROR—AAL5 CPCS or OAM CRC error. ST_EPD—AAL3/4 Segment Type error; causes EPD. SN_EPD—AAL3/4 Sequence Number error; causes EPD. LI_EPD—AAL3/4 SAR-PDU length error; causes EPD. LP—Value of CLP header bit ORed across the CPCS-PDU. CI_LAST—Value of the PTI[1] header bit in the last cell of the CPCS-PDU. CI—Value of the PTI[1] header bit ORed across the CPCS-PDU. A3L2_ERR—When CNT_ROVR = 1, AAL34 = 1, and FWD_PM = 0, indicates which MIB counter rolled over, based on these values: 0 = MID_ERR 1 = CRC10_ERR 2 = SN_ERR 3 = LI_ERR 4 = EOM_ERR 5 = BOM_SSM_ERR
VCC_INDEX	VCC index of channel. If the connection is AAL3/4 and a CRC10 or MID error has occurred, this index will point to a valid MID entry even though MID cannot be correctly resolved due to errors. In both cases, CNT_ROVR will be set and the index is only used to indicate an AAL3/4 connection.
VLD	Valid. Indication that status entry is valid. The host must set to zero after processing status.
AAL34	Indication that the status entry is relative to an AAL3/4 PDU. Also indicates that HEAD_VCC_INDEX and A3L2_ERR fields are active. NOTE: This field is only active when FWD_PM = 0.

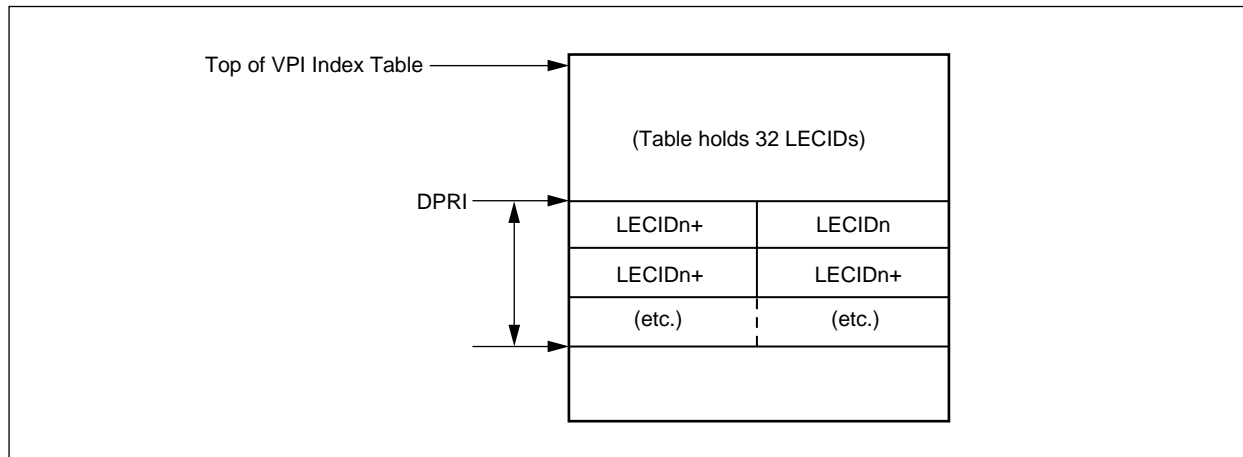
Table 5-33. Reassembly Status Queue Entry Descriptions (2 of 2)

Field Name	Description/Function																		
STATUS	<p>Sets various status bits. The STATUS field contains the following control bits:</p> <table border="1" style="margin-left: auto; margin-right: auto;"> <tr> <td style="text-align: center;">16</td> <td style="text-align: center;">15</td> <td style="text-align: center;">14</td> <td style="text-align: center;">13</td> <td style="text-align: center;">12</td> <td style="text-align: center;">11</td> <td style="text-align: center;">10</td> <td style="text-align: center;">9</td> <td style="text-align: center;">8</td> </tr> <tr> <td style="text-align: center;">FFPD</td> <td style="text-align: center;">EPD</td> <td style="text-align: center;">FW</td> <td style="text-align: center;">UNDF</td> <td style="text-align: center;">OVFL</td> <td style="text-align: center;">SFPD</td> <td style="text-align: center;">TO</td> <td style="text-align: center;">ABORT</td> <td style="text-align: center;">CNT_ROVR</td> </tr> </table> <p>FFPD = DMA FIFO buffer Full Packet Discard. EPD = Early Packet Discard occurred. A partially reassembled CPCS-PDU has been discarded due to firewall, buffer underflow, LI_EPD, SN_EPD, ST_EPD, CLP discard or Max PDU length exceeded. FW = Firewall error condition occurred. If early packet discard occurs, EPD is set. UNDF = Free Buffer Queue Underflow occurred. If early packet discard occurs, EPD is set. OVFL = Last available Status Queue entry. SFPD = Status Full Packet Discard occurred. EPD is not set. TO = Reassembly time-out condition occurred on this channel. EPD is not set. ABORT = Abort function detected. EPD not set. CNT_ROVR = Indication that the SERVICE_CNT counter has rolled over on the channel or an AAL3/4 MIB counter has rolled over in an AAL3/4 Head VCC entry. If AAL3/4 MIB, then the A3L2_ERRR field is active in the PDU_CHECKS field and indicates which AAL3/4 MIB counter has rolled over.</p>	16	15	14	13	12	11	10	9	8	FFPD	EPD	FW	UNDF	OVFL	SFPD	TO	ABORT	CNT_ROVR
16	15	14	13	12	11	10	9	8											
FFPD	EPD	FW	UNDF	OVFL	SFPD	TO	ABORT	CNT_ROVR											
OAM	<p>If this field is nonzero, it indicates that an OAM or management cell has been received as follows:</p> <p>001 - F4 OAM 010 - F4 OAM End to End 100 - F5 OAM 101 - F5 OAM End to End 110 - PTI = 6 111 - PTI = 7</p>																		
STM	<p>Sets various bits related to Streaming Mode. The STM field contains the following control bits:</p> <table border="1" style="margin-left: auto; margin-right: auto;"> <tr> <td style="text-align: center;">3</td> <td style="text-align: center;">2</td> <td style="text-align: center;">1</td> <td style="text-align: center;">0</td> </tr> <tr> <td style="text-align: center;">EOM</td> <td style="text-align: center;">BOM</td> <td style="text-align: center;">STM_MODE</td> <td style="text-align: center;">BFR1</td> </tr> </table> <p>EOM = In Streaming Mode or BOM Interrupt mode, this bit identifies that the buffer contains an EOM. BOM = In Streaming Mode or BOM Interrupt mode, this bit identifies that the buffer contains a BOM. In Message Mode with BOM interrupt enabled, indicates that status entry points to only one buffer which contains a BOM. STM_MODE = Indication that Streaming Mode is enabled on the channel. BFR1 = In Streaming Mode, indicates which free buffer queue the buffer came from. Logic high indicates COM(BFR1), logic low indicates BOM(BFR0).</p>	3	2	1	0	EOM	BOM	STM_MODE	BFR1										
3	2	1	0																
EOM	BOM	STM_MODE	BFR1																
FWD_PM	PM-OAM Forward Monitoring cell detected.																		
BIPV	BIP 16 violations. Same as BLER0+1 field in Backward Reporting PM-OAM cell.																		
TRCC0	PM total received cell count for CLP = 0.																		
TRCC0+1	PM total received cell count for CLP = 0+1.																		

5.7.6 LECID Table

The LECID Table illustrated in [Figure 5-18](#) includes up to 32 unique identifiers for LAN Emulation Clients (LECIDn). The DPRI field in the reassembly VCC Table entry is used as the index into this table. [Table 5-34](#) and [Table 5-35](#) display the LECID Table entries and field definitions.

Figure 5-18. LECID Table, Illustrated



100074_039

Table 5-34. LECID Table Entries

Word	31	30	29	28	27	26	25	24	23	22	21	20	19	18	17	16	15	14	13	12	11	10	9	8	7	6	5	4	3	2	1	0
0	LECID1															LECID0																
...																
1-15	LECID31															LECID30																

Table 5-35. LECID Table Field Definition

Field Name	Function/Description
LECIDn	<p>LAN Emulation Client Identifier: a unique identifier for a LAN Emulation Client (LEC). The LECID Table is capable of storing 32 LECIDs.</p> <p>The system designer can initialize this table to contain the LECIDs of LAN Emulation Clients that are transmitting multicast frames (point-to-multipoint Emulated LAN traffic) on an ATM network. Thus, with the LECID_EN bit set to a logic high on a channel, the RSM Coprocessor looks for a match in the LECID Table with the LECID in each received LANE frame, and if a match, the frame is discarded. This implements echo suppression of superfluous multi-broadcast LANE traffic on the ATM network.</p>

5.7.7 Global Time-out Table

This table exists in internal SRAM starting at address 0x1340. The values in this table should be initialized during system initialization, before reassembly processing is started. These values set the selectable hardware PDU timeout values as described in [Section 5.4.9](#). [Table 5-36](#) and [Table 5-37](#) display the entries and field definitions for the Global Time-out Table.

Table 5-36. Global Time-out Table Entry Format

Word	31	30	29	28	27	26	25	24	23	22	21	20	19	18	17	16	15	14	13	12	11	10	9	8	7	6	5	4	3	2	1	0
0	TERM_TOCNT1																TERM_TOCNT0															
1	TERM_TOCNT3																TERM_TOCNT2															
2	TERM_TOCNT5																TERM_TOCNT4															
3	TERM_TOCNT7																TERM_TOCNT6															
4	Reserved																TO_VCC_INDEX															

Table 5-37. Global Time-out Table Entry Descriptions

Field Name	Description/Function
TERM_TOCNTx	Time-out expiration count.
TO_VCC_INDEX	Time-out VCC_INDEX tracking variable.

5.7.8 Reassembly Internal SRAM Memory Map

As indicated in [Table 5-38](#), the Reassembly Internal SRAM is in the address range 0x1000-0x13FF.

Table 5-38. Reassembly Internal SRAM Memory Map

Address	Name	Description
Internal Reassembly Status Queue Base Table Registers:		
0x1000-0x1007	RSM_SQ_QU0	Status Queue 0 Base Table
0x1008-0x100F	RSM_SQ_QU1	Status Queue 1 Base Table
⋮	⋮	⋮
0x10F8-0x10FF	RSM_SQ_QU31	Status Queue 31 Base Table
Internal Reassembly Free Buffer Queue Base Table Registers:		
0x1100-0x110F	RSM_FBQ_QU0	Free Buffer Queue 0 Base Table
0x1110-0x111F	RSM_FBQ_QU1	Free Buffer Queue 1 Base Table
⋮	⋮	⋮
0x12F0-0x12FF	RSM_FBQ_QU31	Free Buffer Queue 31 Base Table
Other Internal Reassembly Registers:		
0x1300-0x133F	Reserved	
0x1340-0x1353	GBL_TO	Global Time-out Table
0x1354-0x13FF	Reserved	

6.0 Traffic Management

6.1 Overview

The traffic management capabilities of ATM differentiate it from other communication technologies. The RS8234 xBR Traffic Manager implements the complete set of ATM Service Categories as defined in the ATM Forum's Traffic Management (TM) 4.1 Specification. These categories include CBR, Real-Time and Non-Real-Time Variable Bit Rate (rt-VBR and nrt-VBR), UBR, GFR, and ABR.

Table 6-1 provides a list of ATM attributes detailed in the TM 4.1 Specification (i.e., traffic parameters, QoS parameters, and feedback characteristics), and identifies whether the RS8234 supports these for each service category. The shaded areas are not indicative that the service category and attribute are undefined for the SAR — they simply indicate that the TM 4.1 Specification does not detail them.

Table 6-1. ATM Service Category Parameters and Attributes (1 of 2)

Attribute	ATM Layer Service Category					
	CBR	rt-VBR ⁽¹⁾	nrt-VBR ⁽²⁾	UBR ⁽³⁾	ABR	GFR
TRAFFIC PARAMETERS:						
Peak Cell Rate (PCR)	Specified/Supported					
Cell Delay Variation Tolerance (CDVT), at PCR	Supported					
Sustainable Cell Rate (SCR)		Supported				
Maximum Burst Size (MBS)		Supported				
Cell Delay Variation Tolerance (CDVT), at SCR		Supported				
Minimum Cell Rate (MCR)					Supported	
QOS PARAMETERS:						
peak-to-peak Cell Delay Variation (CDV)	Supported					

Table 6-1. ATM Service Category Parameters and Attributes (2 of 2)

Attribute	ATM Layer Service Category					
	CBR	rt-VBR ⁽¹⁾	nrt-VBR ⁽²⁾	UBR ⁽³⁾	ABR	GFR
max Cell Transfer Delay (CTD)	Supported ⁽⁴⁾		Not Supported ⁽⁴⁾			
Cell Loss Ratio (CLR)	Supported ⁽⁴⁾			Not Supported ⁽⁴⁾	Supported ⁽⁴⁾	Not Supported ⁽⁴⁾
OTHER ATTRIBUTES:						
Feedback ⁽⁵⁾					Supported	
NOTE(S): (1) The rt-VBR service category is intended for real-time applications; i.e., those requiring tightly constrained delay and delay variation, as would be appropriate for voice and video applications. (2) The nrt-VBR service category is intended for non-real-time applications which have bursty traffic characteristics. (3) The UBR service category is intended for non-real-time applications which do not require tightly constrained delay and delay variation. Examples of such applications are traditional computer communications applications, such as file transfer and e-mail. (4) This is a network parameter. The RS8235 provides counters that monitor this parameter. (5) Feedback refers to the several types of control cells called Resource Management Cells (RM cells), which are conveyed back to the source in order to control the source transmission rate in response to changing ATM layer transfer characteristics.						

In order to supply these services, the xBR Traffic Manager directs the segmentation on each active VCC by controlling the segmentation coprocessor. By intelligently selecting when each VCC transmits a cell, the Traffic Manager guarantees that the output of the RS8234 conforms to the negotiated traffic contract. This selection process (called Scheduling) executes dynamically, based upon per-VCC parameters.

The xBR Traffic Manager consists of two primary components. The first is the Dynamic Cell Scheduler, which provides for CBR, VBR, UBR, and GFR traffic. Second, for ABR service classes, is the ABR Flow Control Manager, an additional state machine, which works in conjunction with the xBR Cell Scheduler.

Due to the complexities of ABR, a dedicated state machine is required to achieve full rate performance – one which reacts to feedback from the network and adjusts cell transmission accordingly. This specification models ABR to align with the TM 4.1 ABR specification. The RS8234 supports the rate based flow control and service models specified for ABR in TM 4.1.

The RS8234 also provides Generic Flow Control. This XON/XOFF protocol complements the GFC algorithm by allowing switches to significantly overallocate port bandwidth.

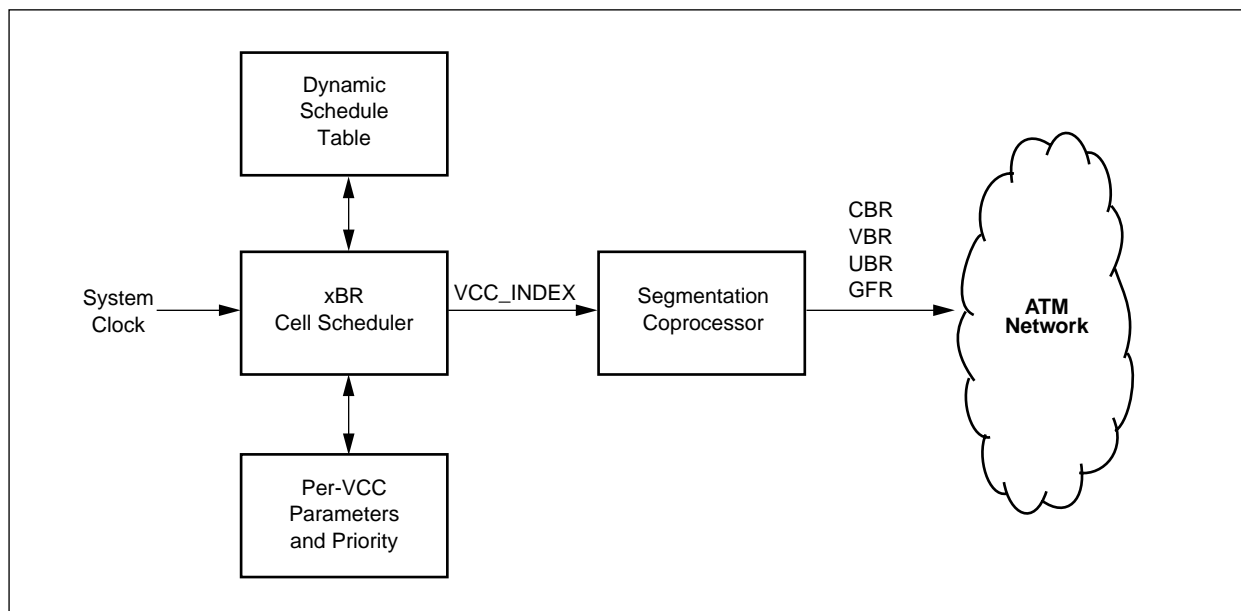
6.1.1 xBR Cell Scheduler

The Cell Scheduler maintains the QoS guarantees for each service category. It rate-shapes all segmentation traffic according to per-channel parameters. This provides each channel with appropriate transmission opportunities and guarantees conformance with network traffic contract policing algorithms applied to the outputs.

The Cell Scheduler selects individual channels based upon the Dynamic Schedule Table. Schedule Slots in this table may be pre-reserved for CBR services. The VPs and VCs with CBR service reserve cell slots for transmission, and are intended for highly regular data sources, such as voice circuits. The RS8234 schedules all other traffic dynamically. The proprietary dynamic scheduling algorithm uses the remaining bandwidth to statistically multiplex all other service classes onto the line. The RS8234 can manage VCC traffic on either a VC or a VP level. As well, it can schedule traffic as a CBR tunnel (or pipe), i.e., several VCCs assigned to a single CBR scheduling priority, with individual VCCs within that tunnel scheduled based on their traffic parameters. Traffic into this CBR tunnel can be of types UBR, VBR and ABR. To enhance flexibility, the RS8234 supports 16 priorities of non-CBR traffic.

Figure 6-1 shows a high level block diagram of the Cell Scheduler control flow for CBR, VBR, and UBR traffic. The Cell Scheduler tracks cell slots using the system clock and decides which VCC should send during each slot. This decision is based upon per-VCC parameters and the current condition of the Dynamic Schedule Table. Unlike ABR, these service categories are open loop, and need no feedback from the network for run-time cell scheduling.

Figure 6-1. Non-ABR Cell Scheduling



100074_040

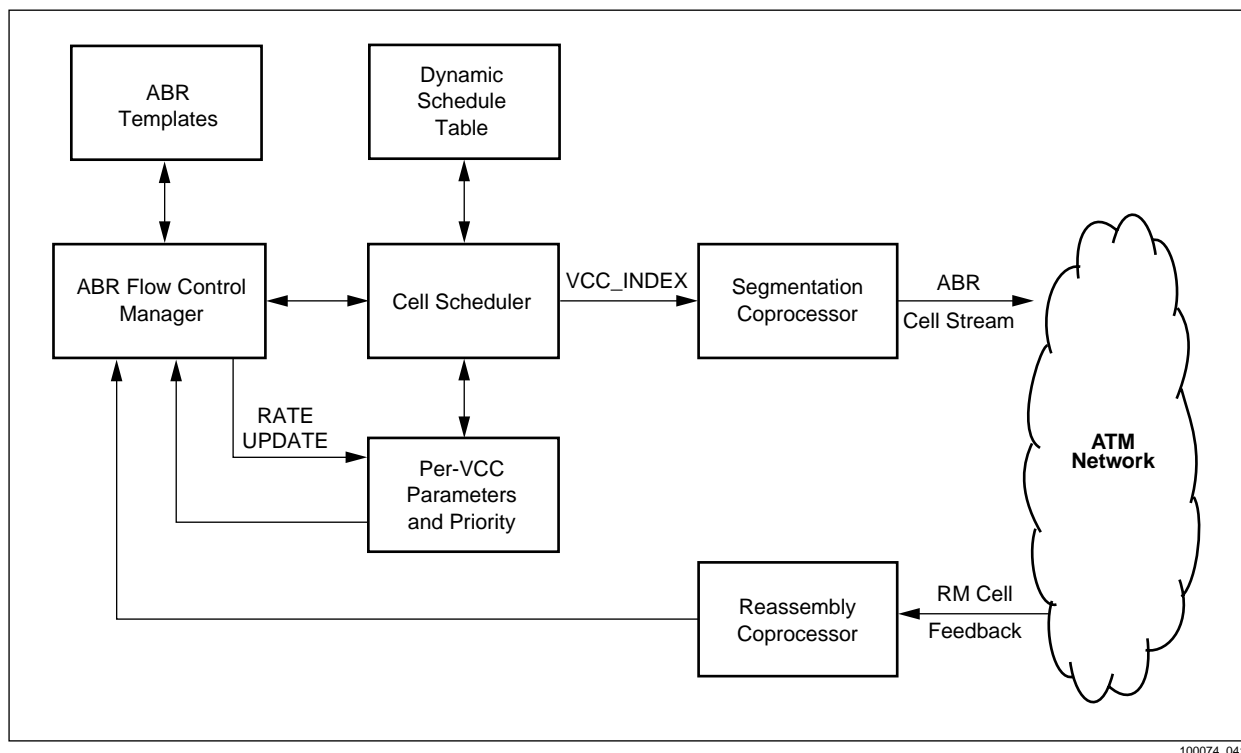
6.1.2 ABR Flow Control Manager

The RS8234 implements the ATM Forum ABR flow control algorithms, referred to in the aggregate as ABR by this document. The ABR service category effectively allows zero cell loss transmission through an ATM network, by regulating transmission based upon network feedback. The ABR algorithms regulate the rate of each VCC independently. Figure 6-2 shows a high level block diagram of the RS8234's ABR feedback control loop.

Network feedback is received by the reassembly coprocessor and routed to the ABR Flow Control Manager. This state machine processes the feedback information according to per-VCC parameters and user programmable ABR templates, both located in SAR shared memory. These templates define ABR service parameters and policies for groups of VCCs.

Once the feedback is processed, the Flow Control Manager provides the Cell Scheduler with an updated rate. Under the policy imposed by the template, the rate complies with the TM 4.1 Source Behavior specifications. Until the next update, the Cell Scheduler uses this rate to dynamically schedule the connection.

Figure 6-2. ABR Flow Control



100074_041

For optimal performance, the ABR Flow Control Manager implements the ABR algorithm in a hardware state machine. However, to provide flexibility against minor changes in the immature TM 4.1 specification, the state machine is programmable through Mindspeed-supplied ABR templates. These templates, resident in SAR shared memory, also provide a policy tuning mechanism for interoperability and performance. Separate groups of VCCs can be assigned to application optimized templates according to their path through the network.

APPLICATION EXAMPLE: Application-Specific Templates

Each template may have different flow control parameters. For instance, a system designer may wish to configure a VCC traversing a network with all ER switches with a Rate Increase Factor (RIF) and Rate Decrease Factor (RDF) = 1. However, a VCC traversing a network with switches doing CI/NI (binary) marking will desire an RIF and RDF \neq 1. Thus, separate templates would be desired for these VCCs.

6.2 xBR Cell Scheduler Functional Description

6.2.1 Scheduling Priority

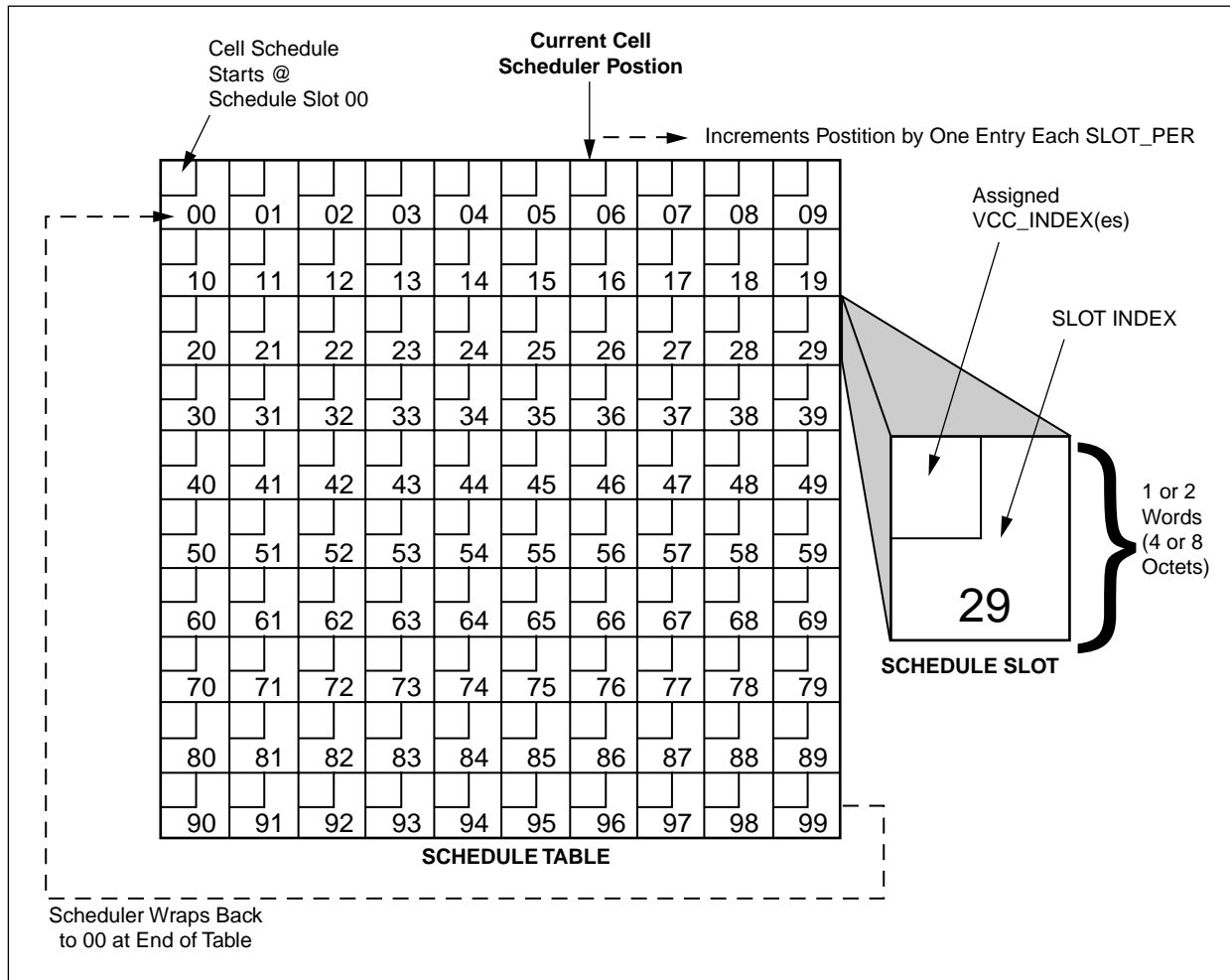
- 6.2.1.1 16 Priority Levels + CBR** The RS8234 supports 16 scheduling priorities (the “PRI” field in the SEG VCC Table entry), in addition to the optional CBR service category, with “15” being the highest priority, down to “0” being the lowest priority. CBR channels are assigned a priority which is in effect higher than the 16 scheduling priorities discussed here. From one to 16 of these scheduling priorities can be assigned to VBR and ABR service classes. The others are shared UBR priorities. The VBR/ABR priorities must be contiguous within the 16 scheduling priorities, and thus accessible by an offset pointer. The host sets the offset of the VBR/ABR priorities in the VBR_OFFSET field of SEG_CTRL or SCH_CTRL.
- 6.2.1.2 VCC Priority Assignment** The host assigns the priority of all VCCs, except CBR VCCs, by setting the PRI field in the Segmentation VCC Table Entry. This priority should be set at connection setup and should not be changed dynamically.

6.2.2 Dynamic Schedule Table

- 6.2.2.1 Overview** The xBR Cell Scheduler schedules traffic according to the Dynamic Schedule Table. The table contains a programmable number of slots, determined by SCH_SIZE(TBL_SIZE). The duration of a single slot is a programmable number of System Clocks, set as the number of system clocks per schedule slot, in SCH_SIZE(SLOT_PER). The Cell Scheduler sequences through this table in a circular fashion to schedule CBR, VBR, and ABR traffic. UBR traffic is handled as described in [Section 6.2.5](#). By configuring the number of slots and the duration of each slot, the system designer chooses a range of available rates. This range of available rates is dictated by the rate at which a single slot is scheduled, the size of the table, and how many slots in the Dynamic Schedule Table each channel is assigned.

Figure 6-3 represents an example of a schedule table. In this example, the system designer has chosen 100 schedule slots. The duration of each slot is a programmable number of system clocks. The system designer may choose to schedule cells close to the full payload data rate of STS-3C at 353.2 K cells/second. At this cell rate, each cell slot will take 95 clocks. The scheduler begins at slot 00 and increments its position in the table every 95 clocks. After 9,500 clocks, the scheduler position returns to 00.

Figure 6-3. Schedule Table with Size = 100



6.2.2.2 Schedule Table Slots

The user can select from a wide range of possible schedule slot formats. The user selects a format based on system requirements. If the system needs to generate CBR traffic, then the first 16 bits of each schedule table slot are reserved for a CBR slot entry. The number of distinct VBR and ABR priorities required, and the enabling of CBR traffic, govern the size requirements for each slot.

The USE_SCH_CTRL bit in the SEG_CTRL register is used to turn on and turn off the mechanisms that create the 16 scheduling priorities. This maintains backward compatibility to earlier versions of the SAR, where only eight scheduling priorities were used.

If the USE_SCH_CTRL bit is asserted, the user controls the size and format of all schedule slots through the SLOT_DEPTH, 4-bit VBR_OFFSET, and TUN_PRI0-OFFSET fields in the SCH_CTRL register, as well as the CBR_TUN bit in the SEG_CTRL register. If the USE_SCH_CTRL bit in the SEG_CTRL register is not asserted, the user controls the size and format of all schedule slots through the DBL_SLOT, 3-bit VBR_OFFSET, and CBR_TUN fields in the SEG_CTRL register. These factors, coupled with the size of the Schedule Table, determine the memory requirements for the Schedule Table.

Table 6-2 describes the parameters directly associated with the various Schedule Table slot sizes.

Table 6-2. Selection of Schedule Table Slot Size by System Requirements

CBR Service	Number of VBR/ABR Priorities Required	Schedule Slot Size	CBR_TUN	SLOT_DEPTH	Available VBR/ABR Priority Levels
No	16	8 Words (256 bits)	0	111	0 thru 15 ⁽¹⁾
Yes	15	8 Words (256 bits)	1	111	1 thru 15 ⁽¹⁾
No	14	7 Words (224 bits)	0	110	VBR_OFFSET + 0 thru 13
Yes	13	7 Words (224 bits)	1	110	VBR_OFFSET + 1 thru 13
No	12	6 Words (192 bits)	0	101	VBR_OFFSET + 0 thru 11
Yes	11	6 Words (192 bits)	1	101	VBR_OFFSET + 1 thru 11
No	10	5 Words (160 bits)	0	100	VBR_OFFSET + 0 thru 9
Yes	9	5 Words (160 bits)	1	100	VBR_OFFSET + 1 thru 9
No	8	4 Words (128 bits)	0	011	VBR_OFFSET + 0 thru 7
Yes	7	4 Words (128 bits)	1	011	VBR_OFFSET + 1 thru 7
No	6	3 Words (96 bits)	0	010	VBR_OFFSET + 0 thru 5
Yes	5	3 Words (96 bits)	1	010	VBR_OFFSET + 1 thru 5
No	4	2 Words (64 bits)	0	001 (DBL_SLOT=1) ⁽²⁾	VBR_OFFSET + 0 thru 3
Yes	3	2 Words (64 bits)	1	001 (DBL_SLOT=1) ⁽²⁾	VBR_OFFSET + 1 thru 3
No	2	1 Word (32 bits)	0	000 (DBL_SLOT=0) ⁽²⁾	VBR_OFFSET + 0 or 1
Yes	1	1 Word (32 bits)	1	000 (DBL_SLOT=0) ⁽²⁾	VBR_OFFSET + 1

NOTE(S):
⁽¹⁾ VBR_OFFSET would be set to zero for this mode of operation.
⁽²⁾ The bottom four rows of this table describe the slot size formats when USE_SCH_CTRL is not asserted.

6.2.2.3 Schedule Slot Formats Without USE_SCH_CTRL Asserted

The VCC Index contents of each Schedule Table slot, based on the settings in the last four rows of the table above, are illustrated in [Figure 6-4](#). The SAR can assign VBR VCC index(es) to any or all of the VBR VCC_Index fields in a schedule table slot. Each of the VBR fields in a schedule table slot that are assigned a VBR VCC_Index have a different scheduling priority (PRI), one from the other. Also, any of these VBR VCC_Indexes assigned by the SAR can be the first of a linked list of VBR VCCs.

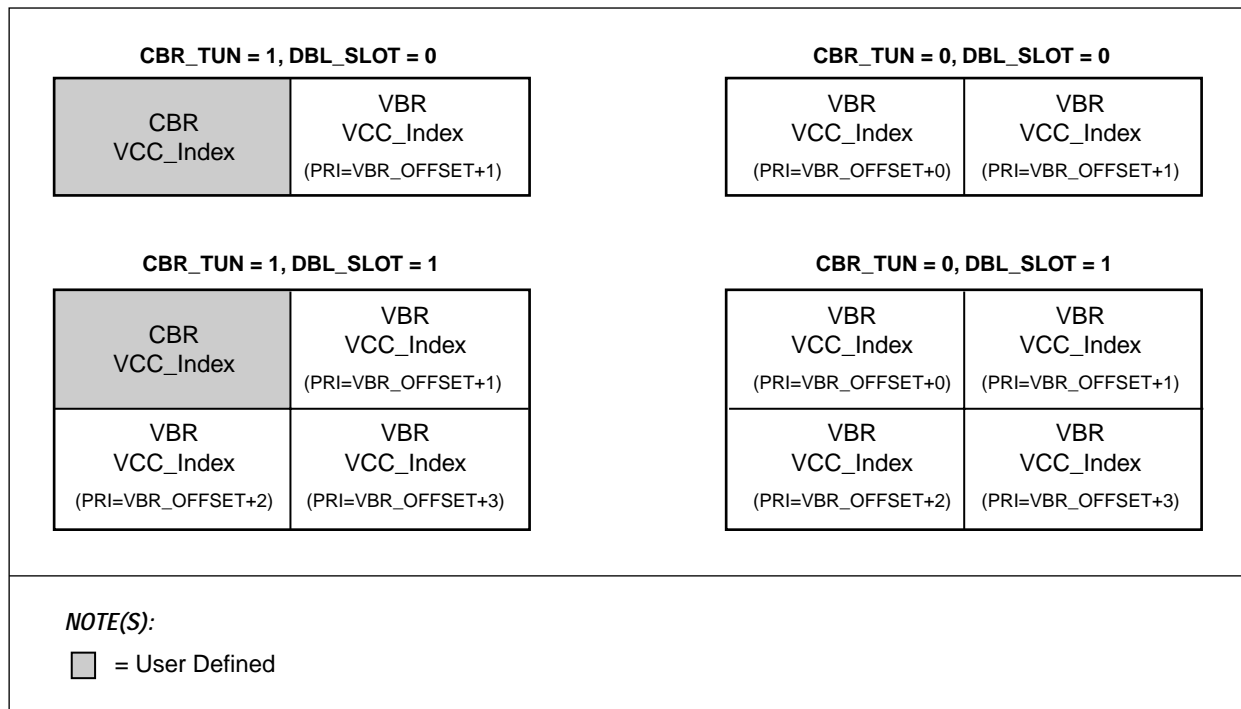
VBR_OFFSET Described

VBR_OFFSET gives the offset difference in priority level between what the user or system designer wishes to assign VBR channels and what the SAR assigns via the VBR Schedule Slot format. Thus, the value of VBR_OFFSET is the difference between the highest VBR/ABR priority being actively scheduled and the largest priority of the VBR VCC_Index field in the VBR scheduling slot (either one or three). For example, if the system designer assigns VBR/ABR VCCs to three different scheduling priorities with the highest of those priorities being "5" (i.e., PRI = 5), then:

$$\text{VBR_OFFSET} = 5 - 3 = 2.$$

[Figure 6-4](#) illustrates how these priorities are assigned to the VBR fields.

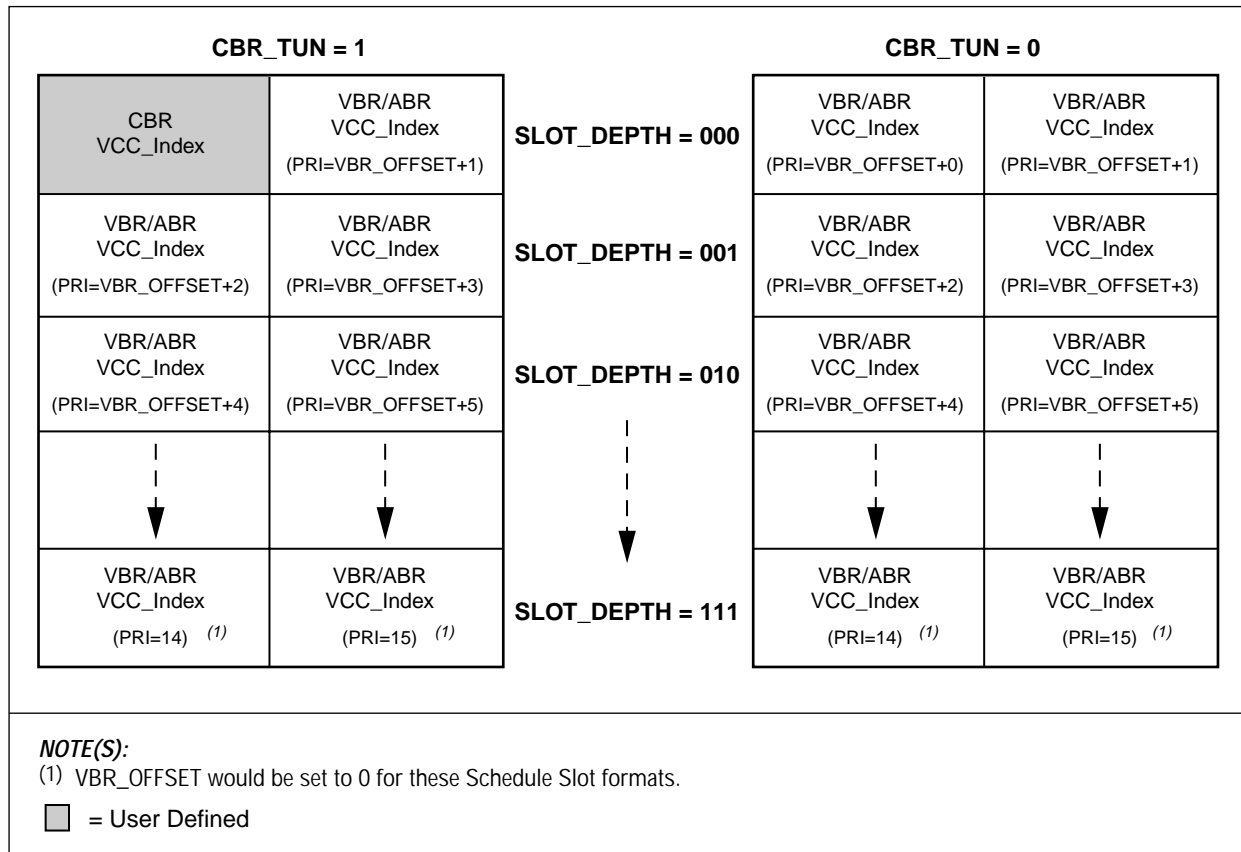
Figure 6-4. Schedule Slot Formats With USE_SCH_CTRL Not Asserted



8236_107

6.2.2.4 Schedule Slot Formats With USE_SCH_CTRL Asserted When USE_SCH_CTRL is asserted, the SLOT_DEPTH and VBR_OFFSET fields in the SCH_CTRL register plus the CBR_TUN field in the SEG_CTRL register, dictate the format of each schedule slot. This format is illustrated in [Figure 6-5](#).

Figure 6-5. Schedule Slot Formats With USE_SCH_CTRL Asserted



8236_108

6.2.3 CBR Traffic

The CBR service category guarantees end-to-end bandwidth through the network. Certain data sources, such as voice circuits, require this guarantee, as well as constrained Cell Delay Variation (CDV). CDV is a measure of the “burstiness” of traffic. The ATM network supplies a minimum CDV for CBR channels by reserving cell transmission opportunities for the connections.

The RS8234 generates CBR traffic by assigning specific slots in the Schedule Table to a CBR VCC. This connection will always send a single cell during its assigned slots. The system clock serves as a time reference for CBR cell generation. The systems designer programs the duration of schedule slots in system clocks in the SLOT_PER (slot period) field of the SCH_SIZE register.

6.2.3.1 CBR Rate Selection

Maximum Rate

For each CBR assigned cell slot, the RS8234 generates one cell on the specified VCC. The maximum or base rate of CBR channels is determined by the duration of a cell slot according to the equation below, where R_{max} is the maximum rate in cells per second.

$$SLOT_PER = \frac{frequency(SYSCLK)}{R_{max}}$$

SLOT_PER should be nominally set to the number of clock cycles needed to transmit a full cell, and its minimum bound should be no less than 70.

APPLICATION EXAMPLE: Determining Maximum Rate

frequency(SYSCLK) = 33 MHz
SLOT_PER = 93 clocks/slot

$$R_{max} = 354.8 \text{ K cells/second}$$

To achieve the maximum rate, the user would assign one VCC to every cell slot in the Schedule Table. This would prevent any other VCC from being scheduled since this channel uses all of the available slots.

6.2.3.2 Available Rates

Once a maximum rate (R_{max}) has been selected, the size of the Schedule Table determines the rate granularity and minimum rate. The system designer specifies the number of table slots in SCH_SIZE(TBL_SIZE). The available CBR rates are:

$$R_{max}, R_{max} \times (TBL_SIZE - 1) / TBL_SIZE, R_{max} \times (TBL_SIZE - 2) / TBL_SIZE, \dots, R_{max} / TBL_SIZE$$

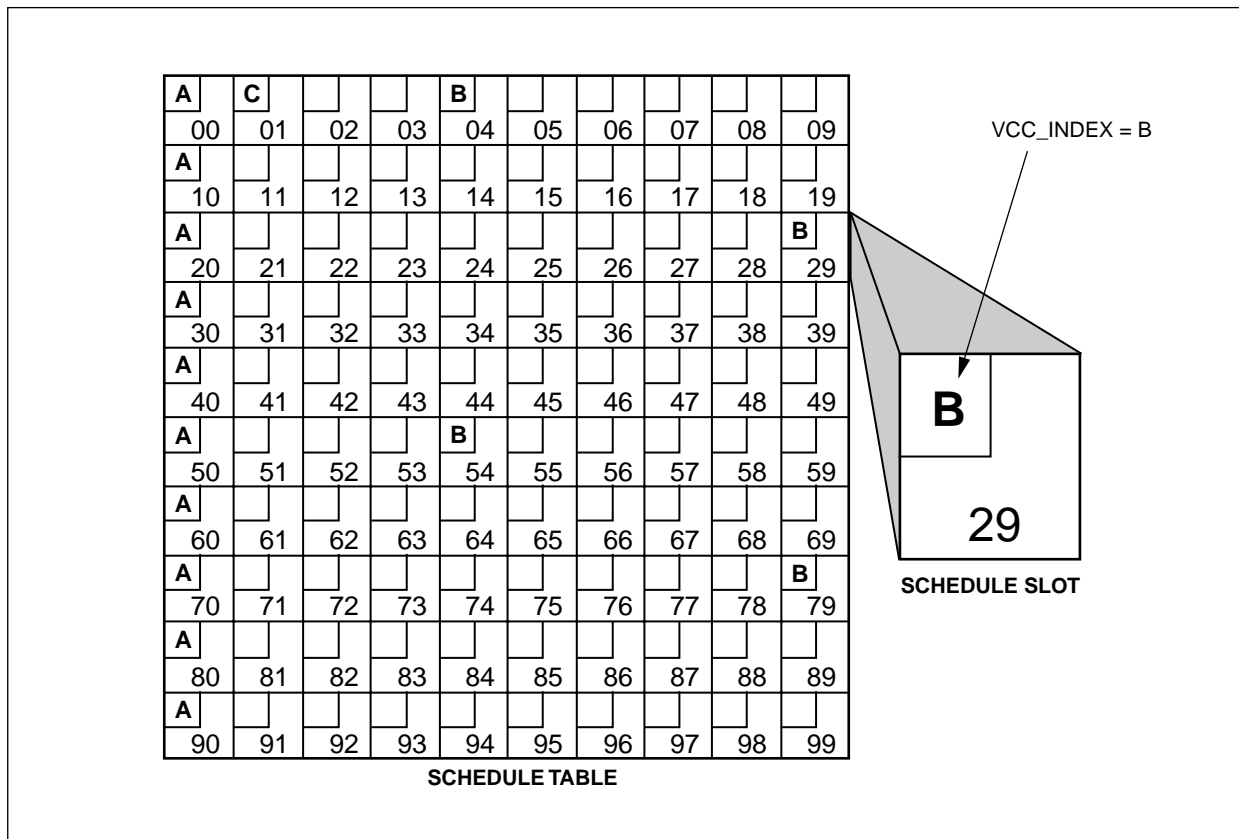
Minimum Rate

The minimum rate available is therefore R_{max} / TBL_SIZE .

Assigning CBR Cell Slots

Figure 6-7 displays an example Schedule Table with slots assigned to various CBR channels, each with a different rate. In this example, TBL_SIZE = 100 and SLOT_PER = 93. VCC_INDEX A occupies every tenth schedule slot and therefore it will transmit at $R/10$, or 35.4 K cells/second. VCC_INDEX B occupies a slot every 25 cell slots and will transmit at a rate of $R/25$, or 14.2 K cells/second. VCC_INDEX C occupies only one schedule slot and therefore will transmit at the minimum rate, R/TBL_SIZE , or 3.54 K cells/second. Not all cell slots have been assigned to CBR channels. During these slots, the RS8234 will dynamically schedule traffic from the other service classes. However, the total bandwidth of channels A, B, and C will be reserved.

Figure 6-7. Assigning CBR Cell Slots

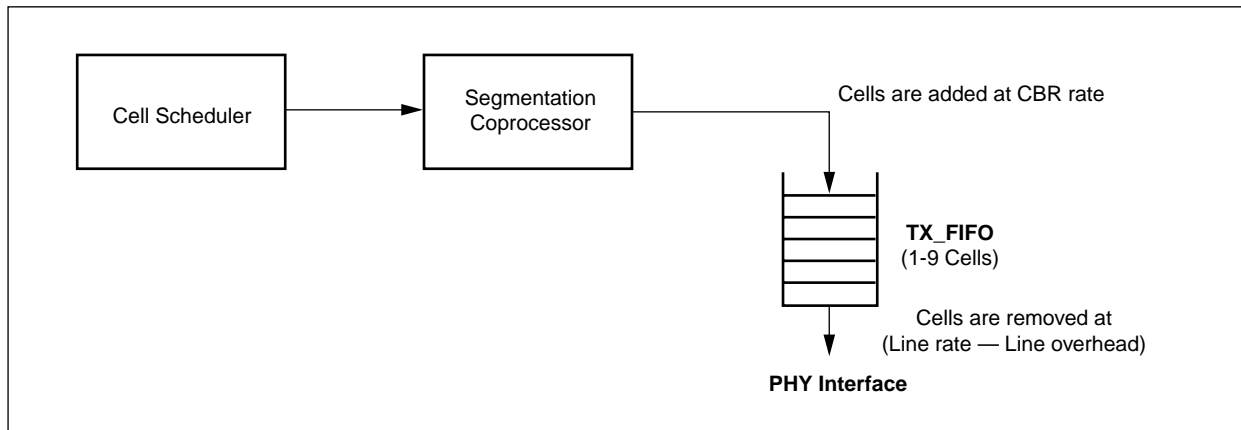


100074_046

6.2.3.3 CBR Cell Delay Variation (CDV)

By definition, CBR connections are sensitive to CDV. (See ATM Forum UNI 3.1 or TM 4.1 for a complete definition of CDV.) The RS8234's Traffic Manager minimizes CDV by basing all traffic management on the SYSCLK frequency, and providing the user the ability to explicitly decide the transmit time for CBR traffic. However, no system is without some CDV. In the case of terminals using the RS8234, the dominant factor in CDV is the variation introduced between the segmentation coprocessor and the PHY layer device at the Transmit FIFO (TX_FIFO). Line overhead created by the framer in the PHY layer device causes this variation. [Figure 6-8](#) illustrates this interface.

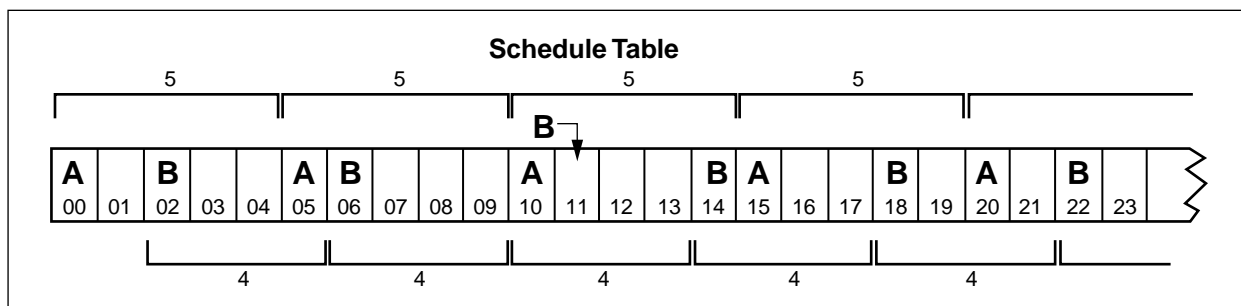
Figure 6-8. Introduction of CDV at the ATM/PHY Layer Interface



100074_047

A possible source of Schedule-Table-dependent CDV is created when the host contracts for different CBR rates on more than one CBR channel, causing schedule slot conflicts in the Schedule Table. [Figure 6-9](#) illustrates an example of this. Illustrated is a linear representation of a Schedule Table with 100 schedule slots. CBR channel A has reserved bandwidth for a rate of 70 K cells/second, or every fifth cell slot. CBR channel B has reserved bandwidth for a rate of 88.7 K cells/second, or every fourth cell slot. In this case there will be a schedule slot reservation conflict between channels A and B every 20th cell slot, and one of the channel's slots will have to be reserved one slot later.

Figure 6-9. Schedule Table with Slot Conflicts at Different CBR Rates



100074_048

6.2.3.4 CBR Channel Management

The host initializes the segmentation VCC Table entry of a CBR VCC. The SCH_MODE of the VCC should be set to 001 (CBR). Thereafter, the RS8234 ignores further processing based on the SCH_MODE field in the VCC Table entry for CBR VCCs.

CBR PVC Provisioning

Once a Schedule Table has been created, the system assigns specific cell slots to any CBR provisioned virtual connections (PVCs). This process takes place before the segmentation process is initiated. Once segmentation has begun, the RS8234 will dynamically allocate these cell slots to other channels until the data is supplied for the CBR VCC.

CBR SVC Setup and Teardown

It is also possible to set up and tear down CBR switched virtual connections (SVCs) without disrupting ongoing segmentation. The user simply configures a new VCC Table entry. Once the VCC is initialized, the host assigns schedule slots to the VCC according to its rate. The host then submits data as with any segmentation VCC.

CBR Rate Matching

In reality, the CBR schedule rate of a channel will not exactly match the rate of its data source. To compensate for this asynchronous data source behavior, the RS8234 provides a rate matching mechanism for use when CBR traffic is mapped to a Virtual FIFO. (This method is needed only for Virtual FIFOs. For VCCs that are not Virtual FIFOs, the cell transmission is skipped automatically if there is no data available.)

For an individual CBR channel mapped to a Virtual FIFO, the host directs the RS8234 to skip one cell transmission opportunity whenever data is unavailable. The host requests this rate matching adjustment by setting the SCH_OPT bit of the CBR channel. The next time the RS8234 encounters a CBR slot for this VCC, it will not transmit data on that VCC. Then the RS8234 indicates to the host that a slot has been skipped by clearing the SCH_OPT bit.

With this method, the host effectively synchronizes the RS8234's scheduled rate to the external data source rate. The host must configure the CBR VCC rate slightly higher than the actual rate of the data source. Skipping cell transmission slots then compensates for the rate differential.

6.2.4 VBR Traffic

The RS8234 Cell Scheduler also supports multiple priority levels for VBR traffic. The VBR service class takes advantage of the asynchronous nature of ATM by reserving bandwidth for VBR channels at average cell transmission rates without hardcoding time slots, as with CBR traffic. This dynamic scheduling allows VBR traffic to be statistically multiplexed onto the ATM line, resulting in better use of the shared bandwidth resources.

6.2.4.1 Mapping RS8234 VBR Service Categories to TM 4.1 VBR Service Categories

The ATM Forum TM 4.1 Specification describes the different categories of VBR service in a different manner than is employed in the RS8234 device. These relationships are described here:

Table 6-3. RS8234 VBR to TM 4.1 VBR Mapping

RS8234 VBR	TM 4.1 VBR	Comments
VBR1	(None)	TM 4.1 does not employ single leaky bucket.
VBR2	VBR.1	Double leaky bucket.
VBR3 (or VBRC)	VBR.2 /VBR.3	TM 4.1 defines two conformance standards for CLP(0+1).

6.2.4.2 Rate-Shaping vs. Policing

The Cell Scheduler rate-shapes the segmentation traffic for up to 64 K connections. The outgoing cell stream for each VCC is scheduled according to the GCRA algorithm. This guarantees compliance to policing algorithms applied at the network ingress point. Channels can be rate-shaped as VCs or VPs, according to one of three leaky bucket paradigms, set by the SCH_MODE bit in the channel's segmentation VCC Table entry.

6.2.4.3 Single Leaky Bucket

The first and simplest bucket scheme is single leaky bucket. The user defines a single set of GCRA parameters — I (Interval) and L (Limit). I is used to control the per-VCC PCR and L is used to control the CDVT of the outgoing cell stream. The user enables this scheme by setting the SCH_MODE bits to “100” (VBR1).

6.2.4.4 Dual Leaky Bucket

The user can also select, on a per-VCC basis, to apply two leaky buckets to a single connection. The user enables this scheme by setting the SCH_MODE bits to “101” (VBR2).

When using VBR2 SCH_MODE, you are limited to 256 values for the $I2$ and $L2$ parameters. These parameters are stored as bucket table entries. (See [Table 6-15](#) for the definition of a bucket table entry.) There is complete flexibility with regard to using these 256 values to specify SCR or PCR. In VBR2, $I1$ and $L1$ can specify either PCR and CVDT, or SCR and Burst Tolerance (BT), with $I2$ and $L2$ used to specify the parameters not assigned to $I1$ and $L1$.

For example, you can configure:

$I1 = \text{PCR}, L1 = \text{CDVT}, I2 = \text{SCR}, L2 = \text{BT}$

or

$I1 = \text{SCR}, L1 = \text{BT}, I2 = \text{PCR}, L2 = \text{CDVT}$

6.2.4.5 CLP-Based Buckets The third option allows both buckets to apply to CLP=0 cells. CLP=0 means high priority cells; CLP=1 means cells are subject to discard. CLP=1 cells are scheduled from the second bucket only. Therefore, the second bucket should correspond to PCR. This controls the PCR of the total cell stream, but only controls the SCR of CLP=0 cells. The user enables this scheme by setting the SCH_MODE bits to “110” (VBRC — also called VBR3).

6.2.4.6 Rate Selection The *I* and *L* parameters of the GCRA algorithm represent cell slots in the schedule table. Therefore, the VBR channels have the same maximum rate available as the CBR channels. Since VBR channels are internally scheduled by the Cell Scheduler based on that channel’s *I* parameter, a floating point value, they are not constrained to repeat at some *n* integer value of $R_{\max}/(TBL_SIZE - n)$. Thus, VBR channels have a much finer rate granularity.

The minimum rate for VBR channels is $R_{\max}/(TBL_SIZE - 1)$.

6.2.4.7 Real-Time VBR and CDV Real-time VBR traffic should be assigned the highest scheduling priority to minimize cell delay variation. The worst-case CDV for rt-VBR traffic is calculated as:

$((\# \text{ VBR VCCs at same-or-higher priority}) + TX_FIFO_LEN) / (\text{line rate in cells/sec})$.

6.2.5 UBR Traffic

The remaining priority levels not already assigned to ABR, VBR or CBR tunnel traffic, are scheduled as UBR traffic. All UBR channels within a priority are scheduled on a round-robin basis.

To limit the bandwidth that a UBR priority consumes, the user can use a CBR tunnel in that priority level. Another method of limiting the bandwidth that a UBR priority consumes is described in [Section 6.2.8](#).

6.2.6 xBR Tunnels (Pipes)

A CBR tunnel occupies schedule table slots in the same manner as a CBR VCC. However, instead of serving one VCC, from one to four priority levels are served. The VCCs within a CBR tunnel can be UBR, VBR (VBR1 or VBR2), and/or ABR traffic. In the case of a UBR priority in a tunnel, the VCCs of the served priority level are serviced in round-robin order. For any VBR/ABR priorities in a tunnel, each VCC is shaped to its GCRA parameters within the CBR tunnel.

NOTE: The format of a CBR tunnel schedule table slot is not backward-compatible with the CBR tunnel format used in the Bt8233 SAR.

When the user establishes a CBR tunnel, the user-defined transmit bandwidth for that tunnel is reserved in the schedule table as schedule slots. The one-to-four priority levels assigned to that tunnel are named at this time, and are written to the PRI3, PRI2, PRI1, and PRI0 fields in the CBR_TUN_ID field for the schedule slots reserved. PRI3 should specify the highest priority level for that tunnel, down to PRI0 as the lowest assigned priority level for that tunnel. The scheduler services the highest priority level that has data available on that priority queue at each point a schedule slot for that tunnel becomes active. This serves as a secondary shaping of the traffic assigned to these tunnel priorities. Any one priority level can be assigned to only one CBR tunnel, and must not be assigned as a priority to more than one tunnel. Additionally, all priority levels utilized within a CBR tunnel need to be activated as a tunnel by setting the TUN_ENA(×) bit(s) in the SCH_PRI and SCH_PRI2 registers.

Sixteen tunnels can be active at once, if each of these tunnels has only one scheduling priority assigned. All can be VBR/ABR tunnels. On the other hand, the system designer can establish four tunnels, each of which has four scheduling priorities assigned to it, or any combination of tunnels, which includes up to a total of 16 scheduling priorities. Individual VCCs are assigned to the tunnel by the host, by setting the PRI field in the VCC table to the priority of the tunnel.

The 3-bit PRI0 field allows the entry of only priority levels 0–7. If you wish to enter a priority level higher than priority 7 in PRI0, you should assign the difference in values as an offset, in the TUN_PRI0_OFFSET field in the SCH_CTRL register.

If both non-tunnel and tunnel scheduling priorities exist, the host must assign the highest priority level(s) to CBR tunnel(s).

APPLICATION EXAMPLES: Tunnels

Figure 6-6 shows priorities five and six used as CBR tunnels for UBR and VBR traffic. The host assigns a fixed number of Schedule table slots to the tunnel to reserve a fixed rate. Each time an assigned slot is encountered by the Cell Scheduler, it selects a VCC from a round-robin queue of active VCCs assigned to that priority.

For example, 100 UBR VCCs with PRI = 6 might currently be segmenting data. Each gets 1/100th of the CBR bandwidth assigned to the tunnel. Tunneling enables system-level end users to purchase CBR services from a WAN service provider. The purchaser can then dynamically manage the traffic within this leased CBR tunnel as CBR and/or a combination of other service categories.

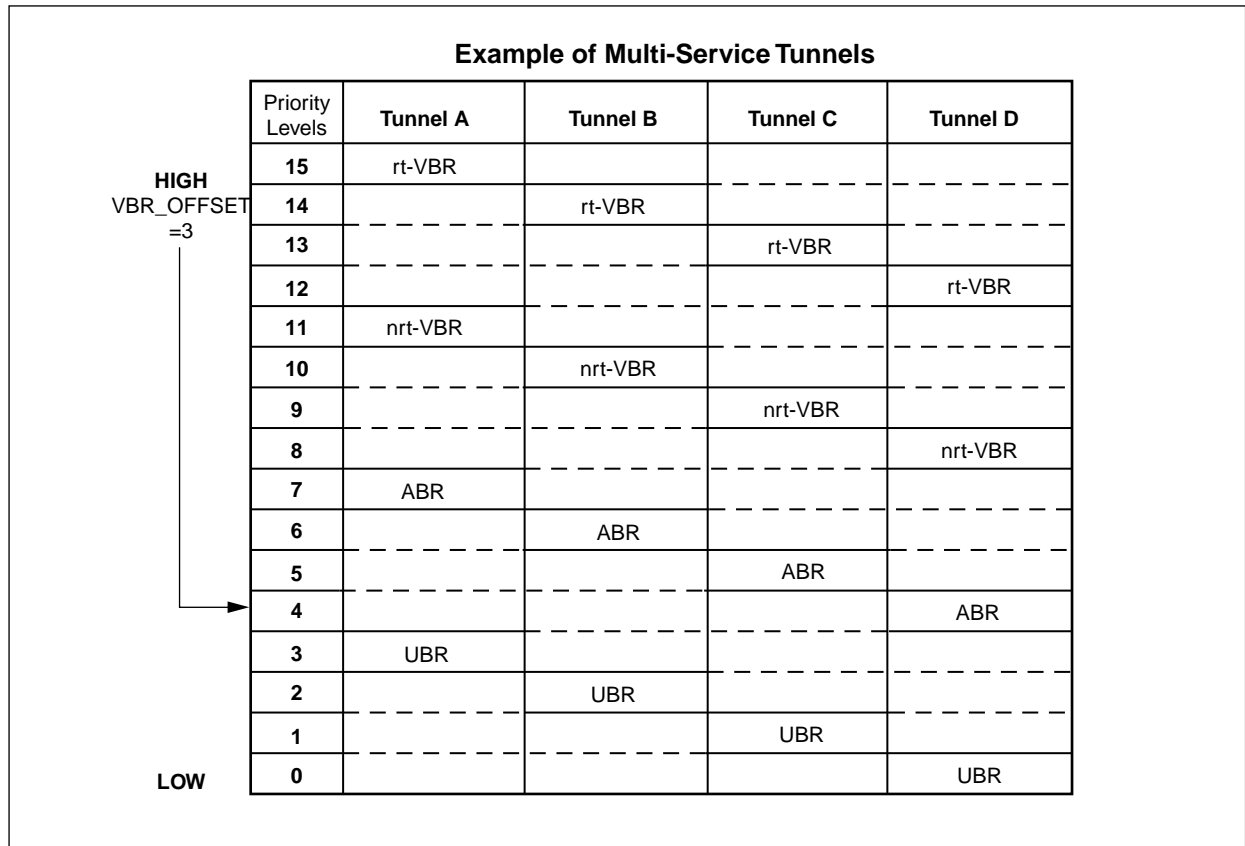
In this example, the user has configured the RS8234 to manage two independent tunnels. The first tunnel priority five, is through a private ATM network, perhaps a corporate ATM campus backbone. The other tunnel, priority six, carries traffic through a public network. This topology allows the end user to lease reserved CBR bandwidth from an administrative domain, but manage the usage of the tunnel in an arbitrary fashion.

Figure 6-11 illustrates a different use of CBR tunnels. In this example, the user has established 4 separate tunnels or pipes. Each can have an equal 1/4 share of the bandwidth available to the port by provisioning every fourth schedule table slot to one tunnel for each of the four tunnels.

In each of the tunnels, 4 priority levels are assigned. The highest priority in each tunnel is assigned to real-time VBR, the next highest priority to non-real-time VBR, the third highest priority to ABR, and the lowest priority to UBR. This in effect establishes four multi-service pipes, each on equal priority to the others (since the scheduler services each of the four pipes equally). Thus, the 4 rt-VBR priorities have effectively the same priority, and so on through the four levels of priority serviced in each pipe. Number of VBR/ABR priorities is 12. CBR_TUN = 1, SLOT_DEPTH = 110.

Highest VBR/ABR Scheduling priority is 15 (that is, PRI = 15). Thus, VBR_OFFSET = 3.

Figure 6-11. Another Possible Scheduling Priority Scheme with the RS8234



100074_050

6.2.7 Guaranteed Frame Rate

GFR is a new service category defined by the ATM Forum to provide an MCR QoS guarantee for AAL5 CPCS-PDUs (or “frames”) not exceeding a specified frame length. This class of service is designed specifically to use the UBR service category. A GFR service connection is thus treated as UBR with a guaranteed MCR.

The RS8234 implements GFR by scheduling/shaping the connections using both the VBR1 scheduling procedure (for the MCR rate value) and a UBR priority queue, thereby providing fair sharing for all GFR connections to excess bandwidth. The VBR1 queue priority (the PRI field in the SEG VCC Table entry) should be set to a higher priority than the UBR queue (the GFR_PRI field in the SEG VCC table entry). The priority level entered in the GFR_PRI field can only be one of the lower eight scheduling priorities. This establishes the condition where those GFR connections sharing the same GFR_PRI would fair-share any excess bandwidth above the MCR limits. Call control must be sure not to oversubscribe MCR on GFR channels and other rate-guaranteed services.

The RS8234 helps guarantee MCR on a GFR channel by providing a mechanism to trigger an increase in the scheduling priority by one priority level, if the transmit rate on that channel falls below its specified MCR. This is done using the MCRLIM_IDX field in that VCC's SCH_STATE entry in the SEG VCC Table entry. MCRLIM_IDX is an 8-bit index into a table containing 256 entries (each formatted as described in [Table 6-19](#)), each containing MCR limit values, and each indicating a trigger point for an increase in the VCC's priority for that scheduled slot.

To disable this priority bumping, set MCR_LIMIT to its maximum value. The user can accomplish this by setting each of the values in the GFR MCR Limit bucket table entries as follows:

1. Set NONZERO bits to 1.
2. Set MCR_EXP fields to decimal value of 31 (i.e., all-ones).
3. Set MCR_MAN fields to decimal value of 511 (i.e., all-ones).

An additional level of traffic shaping can be established on GFR-UBR priority queues by shaping to a specified PCR. (See [Section 6.2.8](#).)

6.2.8 PCR Control for Priority Queues

The RS8234 provides an optional method of creating tunnels (i.e., of limiting the bandwidth of a group of channels), by allowing the user to assign a PCR to a scheduling priority queue, so that the aggregate of the rates of the channels assigned to that priority queue will not be greater than the PCR assigned. This can be done for UBR, VBR, ABR and UBR-GFR traffic classes.

A maximum of four of the sixteen priority queues can be shaped to a PCR less than line rate. The queues to be shaped are identified using the QPCR_ENAx bits in the SCH_PRI and SCH_PRI_2 registers. The associated PCR for each queue thus enabled is specified in one of the two PCR_QUE_INTxx registers. These PCR values are stored as schedule table intervals. QPCR_INT3 maps to the highest priority queue that is enabled for PCR shaping, QPCR_INT2 to the next highest priority PCR shaped queue, and so on. If only one priority queue is enabled for PCR shaping, it will be shaped using the QPCR_INT3 value; if two priority queues are enabled for PCR shaping, QPCR_INT3 and QPCR_INT2 will be used; and so on.

6.3 ABR Flow Control Manager

6.3.1 A Brief Overview of TM 4.1

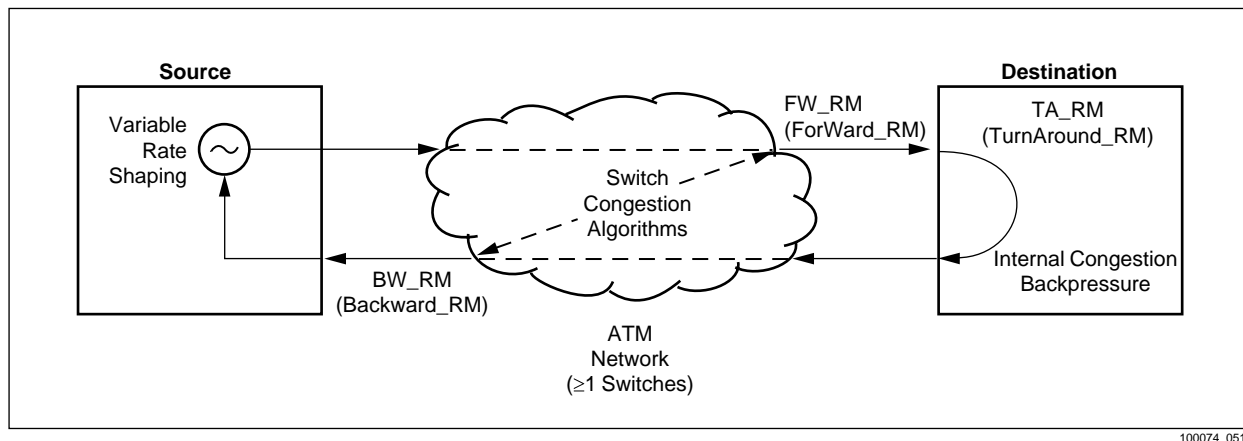
This section briefly describes the TM 4.1 ABR Flow Control algorithms. However, it is strongly recommended that the reader be familiar with the ATM Forum's TM 4.1 specification before attempting to understand the RS8234's ABR implementation.

6.3.2 Internal ABR Feedback Control Loop

As a complete implementation of the UNI ATM layer, the RS8234 acts as both an ABR Source and Destination, complying with all required TM 4.1 ABR behaviors. The RS8234 utilizes the dynamic rate adjustment capability of the xBR Cell Scheduler as the Source's variable rate shaper. An internal feedback mechanism supplies feedback from the received cell stream to the ABR Flow Control Manager, a special purpose state machine. This state machine translates the feedback extracted from received Backward RM cells, to instructions for the xBR Cell Scheduler and segmentation coprocessor. It supports both binary and ER flow control methods.

Figure 6-12 illustrates this basic concept.

Figure 6-12. ABR Service Category Feedback Control

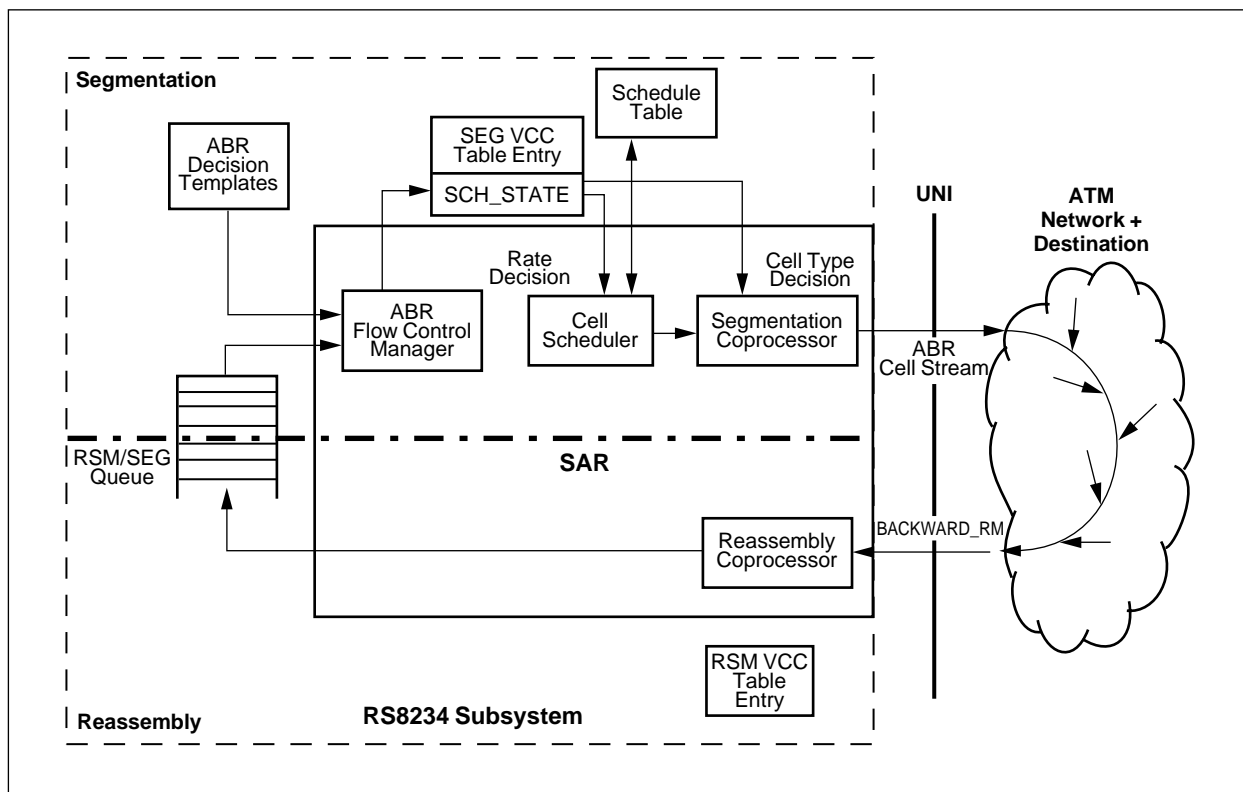


6.3.2.1 Source Flow Control Feedback

Figure 6-13 illustrates the feedback loop which controls the Source cell stream. The RS8234 injects an in-rate cell stream (CLP = 0) into the ATM network for each ABR VCC. Network elements modify the flow control fields in the cell stream's Forward RM cells. After a round trip through the network and destination node, these cells return to the RS8234 receive port as Backward RM cells. The reassembly coprocessor processes incoming Backward RM cells, and communicates with the segmentation state machines via the RSM/SEG Queue in SAR shared memory. Upon receiving this feedback from the queue, the ABR Flow Control Manager updates fields within the SCH_STATE portion of the segmentation VCC Table entry. The xBR Cell Scheduler and segmentation coprocessor use these fields to generate the ABR in-rate cell stream, closing the Source Behavior feedback loop.

The SAR also processes the Explicit Forward Congestion Indication (EFCI) bit in the data cell header(s) per the rules in TM 4.1.

Figure 6-13. RS8234 ABR-ER Feedback Loop (Source Behavior)



100074_052

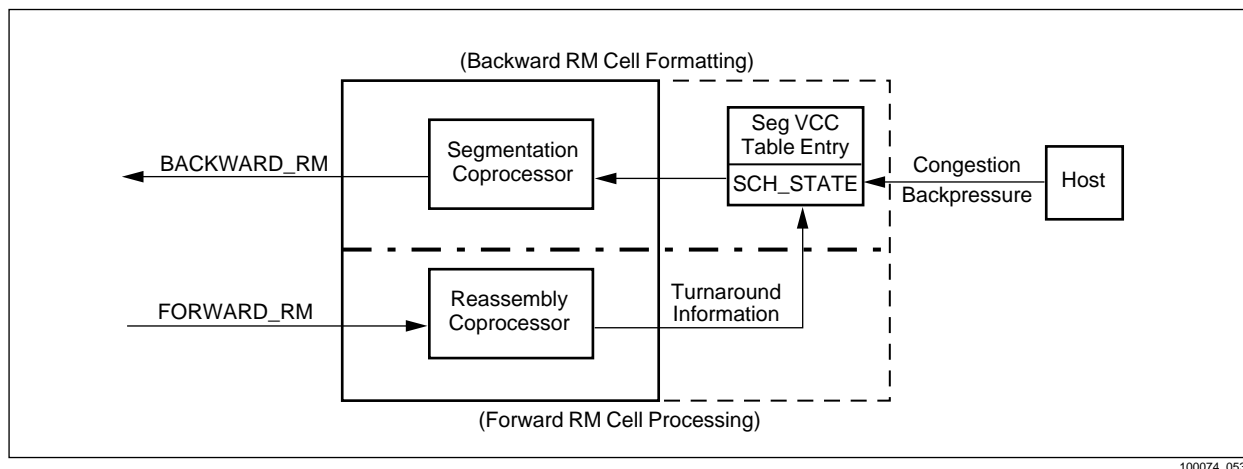
6.3.2.2 Destination Behavior

The RS8234 also responds to an incoming ABR cell stream as an ABR Destination. The reassembly coprocessor processes received Forward RM cells. It turns around this incoming information to the segmentation coprocessor via the SCH_STATE part of the segmentation VCC Table entry. The segmentation coprocessor then formats Backward RM cells containing this information and inserts these turnaround RM cells into the transmit cell stream.

The RS8234 also provides a mechanism for the Destination host to apply backpressure to the Source. The host notifies the RS8234 of internal system congestion. The RS8234 passes this information to the Source via Backward RM cells, to flow control the transmitting Source. The SAR also processes the EFCI bit in the data cell header(s) per the rules in TM 4.1.

This process is illustrated in Figure 6-14.

Figure 6-14. RS8234 ABR-ER Feedback Generation (Destination Behavior)



6.3.2.3 Out-of-Rate Cells

In addition to in-rate cell streams, the RS8234 can also generate out-of-rate (CLP=1) cell streams. These CLP=1 streams compliment and enhance the information flow contained in the in-rate cell streams. An example of the use of this mechanism would be to send out-of-rate Forward RM cells on a channel if the transmit rate on that channel has dropped below the schedule table minimum rate. This provides a mechanism to restart scheduling of an ABR VCC whose rate has dropped to zero or below the schedule table minimum rate.

6.3.3 Source and Destination Behaviors

ABR's Source and Destination Behavior Definitions are each listed in the ATM Forum's TM 4.1 Specification. Refer to this specification for these definitions.

6.3.4 ABR VCC Parameters

The state of each VCC is stored individually in its SEG VCC Table entry. The ABR parameters are stored in the SCH_STATE portion of the segmentation VCC Table entry. Due to the large number of ABR parameters, the SCH_STATE of ABR VCCs requires an additional location in the SEG VCC Table.

6.3.5 ABR Templates

The ABR Templates reside in SAR shared memory in a region referred to as the ABR Instruction Table. The ABR Instruction Table contains one or more templates. Individual VCCs are assigned to a single template. Each template supports a group of VCCs. The key parameters contained in and controlled by the ABR Templates are: PCR, Initial Cell Rate (ICR), MCR, RIF, RDF, and Nrm.

The user has the choice of defining MCR and ICR from the ABR Templates or from fields in the SCH_STATE portion of the SEG VCC Table entry for each connection, thus giving either per-template or per-connection control of MCR and ICR. This choice is globally set using the ADV_ABR_TEMPL bit in the SEG_CTRL register.

These ABR Templates are furnished by Mindspeed, and are downloaded to the RS8234 as a complete microcoded state machine.

Three components constitute a complete template: a Cell Decision Table, a Rate Decision Table and an Exponent Table.

The RS8234 uses the Cell Decision Table to select a cell type for insertion into the transmitted in-rate cell stream.

The Rate Decision Table maps ABR cell stream rates to logical states. Each state includes several vectors to other states, corresponding to different rates. When an event forces a rate decision, the RS8234 decides which vector to follow based on network stimulus (CI/NI), ER decisions, or internal timer/counter expirations (ADTF and Crm).

The Exponent Table contains parameters for a piece-wise linear mapping function. This function maps a TM 4.1 floating point rate representation (in particular, the RM cell Explicit Rate field) to a Rate Decision Table index. The Exponent Table is indexed by the Explicit Rate exponent. This mapping function normalizes the ER field rate to the CI/NI state-based rate decision. Once normalized, a rate can be chosen based on the minimum of the two rates.

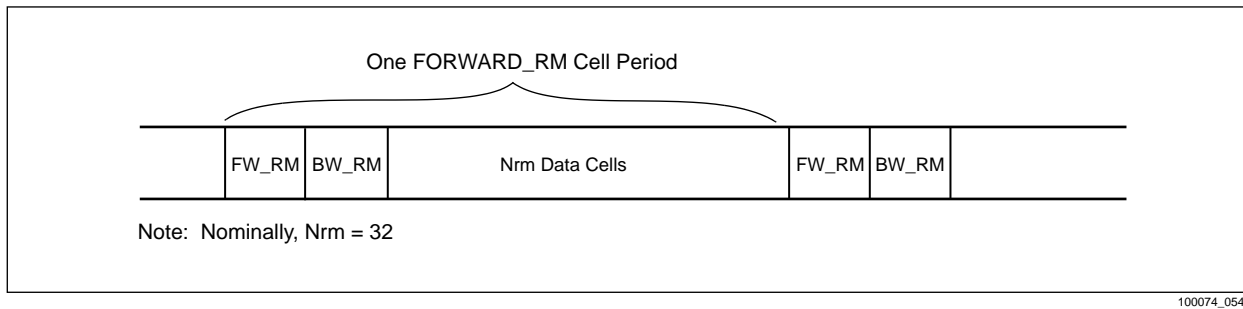
6.3.6 Cell Type Decisions

6.3.6.1 In-rate Cell Streams

Since every ABR connection in a network is full duplex, the RS8234 is a Source and a Destination for each VCC. The RS8234 multiplexes user data cells, Forward RM cells, and Backward RM cells into the in-rate ABR cell stream. TM 4.1 Source Behaviors specify rules for the in-rate cell stream.

Figure 6-15 shows the desired result of the specification. First, the Source transmits one Forward RM cell. A Backward RM cell follows. Finally, the Source sends Nrm user data cells. At steady state, this sequence would be repeated with a Forward RM cell marking the beginning of each sequence.

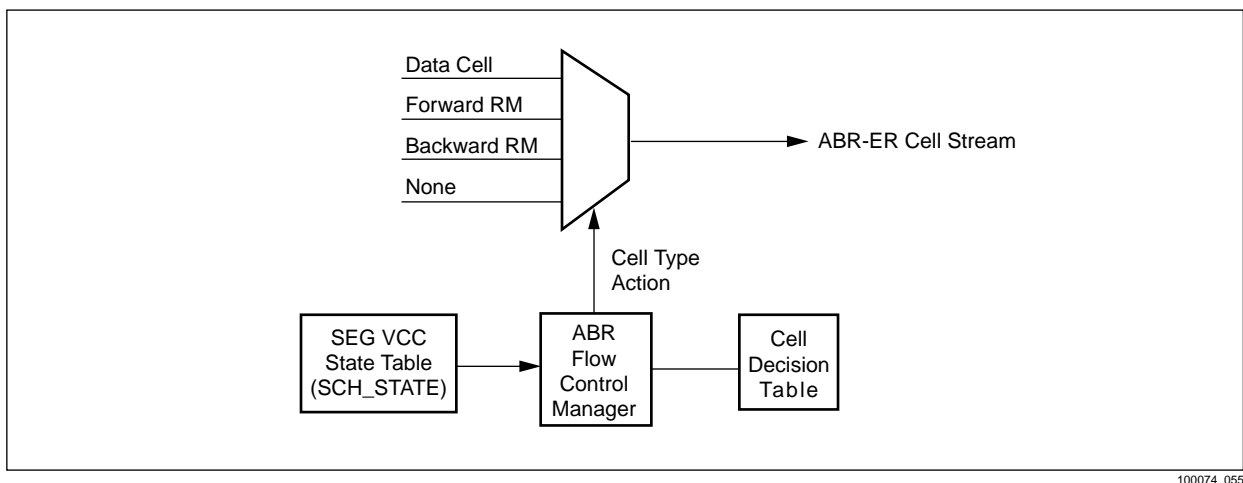
Figure 6-15. Steady State ABR-ER Cell Stream



Unfortunately, due to the asynchronous, asymmetrical, and fluctuating characteristics of ABR connections, all connections will not maintain a steady state sequence. Furthermore, since it is an immature specification, the rules for cell interleaving of in-rate cell streams may be modified slightly.

The RS8234 provides a programmable mechanism to comply with TM 4.1's specification on cell stream interleaving. This Cell Type Decision algorithm makes on-the-fly decisions concerning which type of cell to send, based on the current state of the connection. Figure 6-16 shows a block diagram of the algorithm. The ABR Flow Control Manager chooses a cell type based on a Cell Decision Table and the VCC state. The segmentation coprocessor then formats the appropriate cell type and sends it on the ABR in-rate cell stream. Note that the ABR Flow Control Manager may choose to send no cell. This occurs when the VCC has no user data to segment.

Figure 6-16. Cell Type Interleaving on ABR-ER Cell Stream



Since the Cell Decision Table template resides in SAR shared memory, the user can modify it to optimize performance or react to changes in the ABR specification. Furthermore, multiple tables allow groups of VCCs to be tuned for different network policies.

6.3.6.2 ABR Cell Decisions

The Cell Decision Tables reside in SAR shared memory as a segment of the Flow Control Manager's ABR Instruction Table. Each entry of a table is an ABR Cell Decision Block (ACDB). Each ACDB contains 16 Cell Type Actions. Cell Type Actions result in one of four decisions: send in-rate Forward RM cell, send in-rate Backward RM cell, send user data cell, or no action. A Cell Type Action is chosen by a 4-bit ABR Cell Type Decision Vector (ACDV). The four bits of the ACDV correspond to four current ABR VCC conditions.

Initialization Instructions

At system initialization, the Host loads one or more Cell Decision Tables into SAR shared memory. Mindspeed provides standard Cell Decision Tables. The system designer either uses these, or customized templates.

To assign an ABR VCC to a table, the Host initializes two SCH_STATE fields at connection setup time. The first field, CELL_INDEX, tracks the current ACDB position of the VCC. Source Behavior #2 specifies that the first in-rate cell on a VCC is a Forward RM cell. Therefore, CELL_INDEX should be initialized to an ACDB position which always decides to send a Forward RM cell. The second field, FWD_INDEX, provides a reset point for the in-rate cell stream sequence. Whenever the RS8234 transmits an in-rate Forward RM cell, it copies FWD_INDEX to CELL_INDEX.

Run-time Operation

Each time an ABR cell transmit opportunity arises, the RS8234 makes a cell decision. The SAR retrieves CELL_INDEX from SCH_STATE and chooses a Cell Type Action location within the current ACDB. Table 6-4 shows the four conditions which are used to form this vector. The presence of a condition sets the vector bit to a one.

Table 6-4. ABR Cell Type Decision Vector (ACDV)

Bit	Name	Description
3	TRM_EXP	Time since last forward RM transmitted \geq TRM
2	TA_PND	TA_PND bit set in VCC Table entry
1	TA_XMIT	TA_XMIT bit set in VCC Table entry
0	RUN	RUN bit set in VCC Table entry

The SAR updates the CELL_INDEX field after each cell decision is made. If an in-rate Forward RM cell is transmitted, FWD_INDEX is copied to CELL_INDEX; otherwise, CELL_INDEX is incremented by one (CELL_INDEX++). Therefore, the number of blocks in a Decision Table is bounded by the maximum number of cell decisions made between transmitted Forward RM cells, typically Nrm.

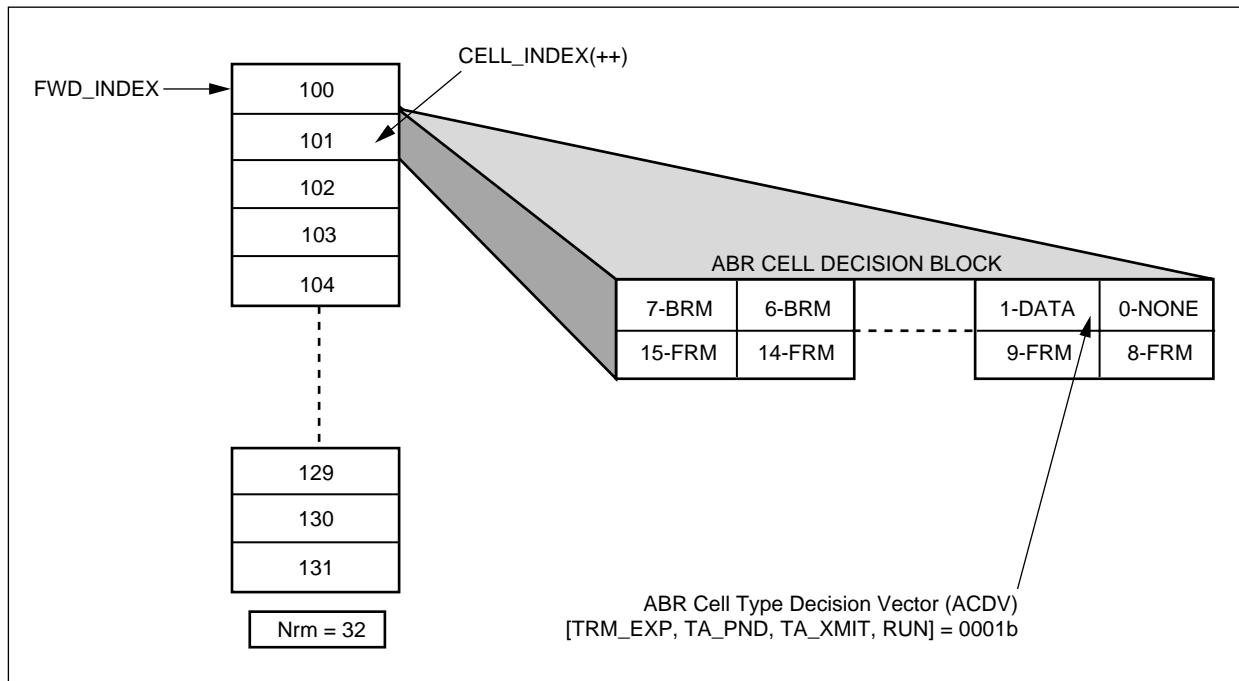
APPLICATION EXAMPLE: Cell Decision Table for Nrm=32

The Figure below, shows a typical Cell Decision Table. The anchor of the table, the FWD_INDEX ACDB, is located at index 100 of the ABR Decision Table. Whenever a Forward RM cell is sent, this ARCB will serve as the “reset” point for the decision state machine. When CELL_INDEX = FWD_INDEX, a steady state ABR channel will transmit a Backward RM cell and advance the CELL_INDEX. The diagram shows the next ACDB (101) in more detail. It contains the 16 Cell Type Actions (BRM = Send Backward RM etc.). At the next cell transmission opportunity, the ABR Flow Control Manager state machine will select a cell type by indexing into the ACDB according to the ACDV. In this case, the only condition present is RUN=1, so ACDV = 0001b. Cell Type Action Index 1 is selected. For this ACDB, Cell Type Action 1 is DATA or “Send Data Cell”. Therefore, the RS8234 will transmit a user data cell.

In steady state, CELL_INDEX will be incremented until it reaches ACDB 131. This ACDB transmits a Forward RM Cell under all circumstances. Therefore, the RS8234 resets the CELL_INDEX for this VCC to FWD_INDEX = 100, when it reaches this ACDB.

In this example, the Host should initialize CELL_INDEX to 131. The RS8234 would transmit a Forward RM cell, and the sequence would continue from the FWD_INDEX.

Figure 6-17. Cell Decision Table for Nrm = 32



100074_056

6.3.7 Rate Decisions and Updates

6.3.7.1 ABR Traffic Shaping

The RS8234 schedules ABR VCCs as a single leaky bucket GCRA channel, but the rate is subject to continual adjustment. At initialization, the Host assigns flow controlled VCCs *I* and *L* parameters corresponding to the negotiated ICR. The Cell Scheduler rate-shapes the initial traffic according to these GCRA parameters. This shaped cell stream includes in-rate Forward and Backward RM cells.

When feedback from the network results in flow control rate adjustments, the ABR Flow Control Manager overwrites the *I* and *L* parameters in the SCH_STATE of the VCC. The updated rates fall within the range of MCR and PCR, which are specified on a per-connection basis.

6.3.7.2 Rate Adjustment Overview

The RS8234 dynamically adjusts the rate of transmission for ABR VCCs based upon network feedback, individual VCC parameters, and the current transmission rate. The ABR Flow Control Manager uses all of these inputs to calculate the ACR of the connection. This ACR corresponds to *I* and *L* GCRA parameters. The RS8234 updates the *I* and *L* parameters of the VCC with the new ACR *I* and *L* values.

The Flow Control Manager updates the transmission rate in response to two types of events—the reception of a Backward RM cell or the transmission of a Forward RM cell. The decision process is unique for each event type.

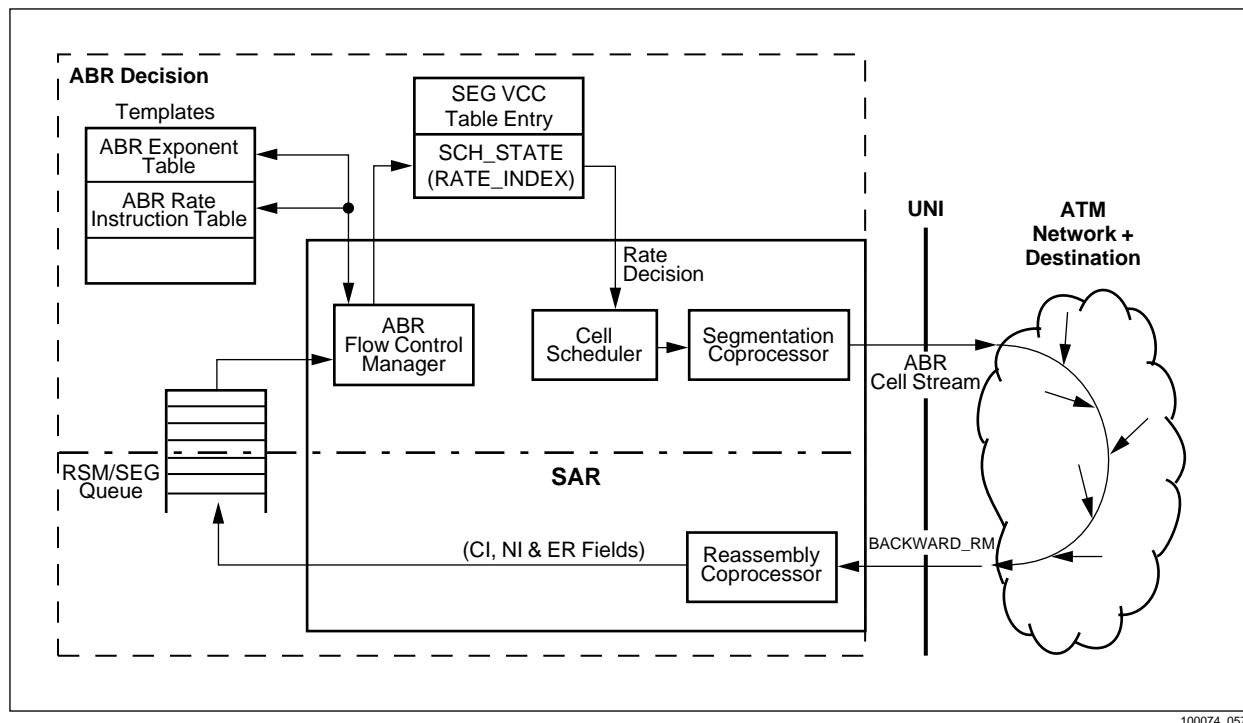
NOTE: Note that both of these event types may occur in one cell slot. In this case, the RS8234 makes both decisions before updating ACR.

6.3.7.3 Backward RM Cell Flow Control

The ABR Rate Decision Table consists of many indexed entries. Each of these entries is called an ABR Rate Decision Block or ARDB. Each ARDB represents a possible transmission rate for an ABR VCC. The rate of an ARDB is a monotonically increasing function of the index of the block.

The RS8234 tracks the state of each ABR connection's transmission rate by storing its current ARDB index in the RATE_INDEX field of the SCH_STATE VCC structure. This RATE_INDEX uniquely identifies the current transmission rate of the VCC. Figure 6-18 illustrates a block diagram of Backward RM flow control.

Figure 6-18. Backward_RM Flow Control, Block Diagram



100074_057

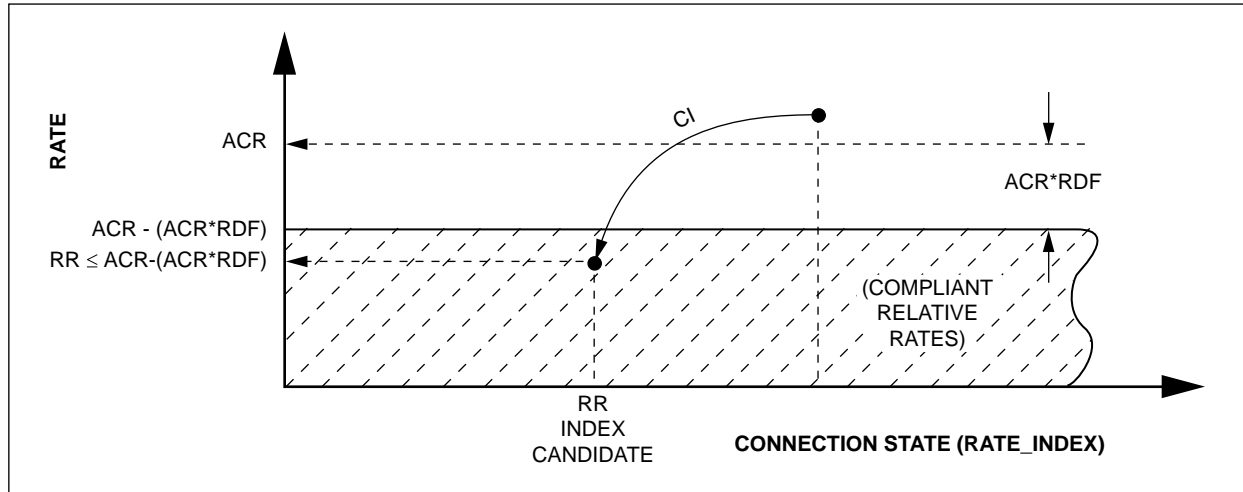
Backward RM cells deliver stimulus for two flow control algorithms. The first algorithm adjusts the state of a connection by a relative rate (RR) algorithm, in response to the CI and NI bits. The second algorithm allows the network to explicitly request a transmission rate in the ER RM cell field. Each of these algorithms produces a candidate rate. The Source must adjust its rate to be less than or equal to the lesser of these two candidates.

The RS8234 computes both rate candidates by first mapping all rate parameters into rate index space. Since rate indexes are a monotonically increasing function of rate, the RS8234 selects the candidate with the lowest rate index.

For the RR algorithm, the conversion is embedded in the ARDBs themselves. This algorithm can adjust the rate relative to the current rate. The adjusted rate relates to the current rate by a constant multiplicative decrease or additive increase. Specifically, the adjusted rate increases by $RIF \cdot PCR$ or decreases by $RDF \cdot ACR$. These values are pre-calculated and used to formulate a RS8234 ABR Rate Instruction Table, avoiding real time math.

Each ARDB contains vectors to eight other ARDBs. Four of these vectors are responses to the relative rate elements in Backward RM cells. The RS8234 uses the CI/NI bits to choose an ARDB candidate from one of these four vectors. For instance, if CI is set, the VCC must reduce its ACR by $ACR * RDF$. The vectors in the ARDB that is chosen when CI is set point to ARDBs whose corresponding rates are less than $ACR - (ACR * RDF)$. The RS8234 recognizes the ARDB indicated by the chosen vector, as the RR rate index candidate.

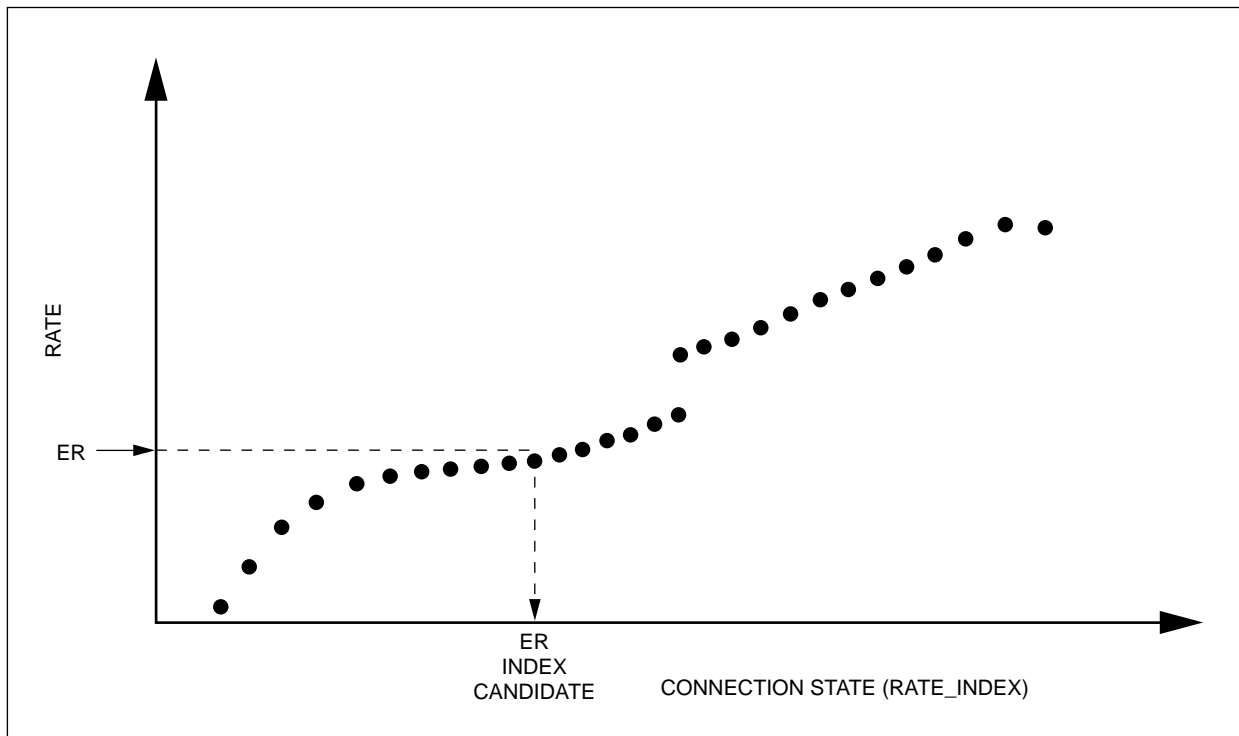
Figure 6-19. Relative Rate (RR) RATE_INDEX Candidate Selection



100074_058

The RS8234 calculates the ER candidate by mapping the ER field from the Backward RM cell into rate index space. This mapping converts the floating point ER field rate representation to an absolute rate index. Note that this mapping does not depend on the current rate of the connection. The RS8234 maps ER field to rate indexes with a programmable piece-wise linear function. Each piece-wise linear segment is described in the ABR Exponent Table. Again, the system designer pre-calculates this mapping function to eliminate real-time floating point math.

Figure 6-20. Explicit Rate (ER) RATE_INDEX Candidate Selection

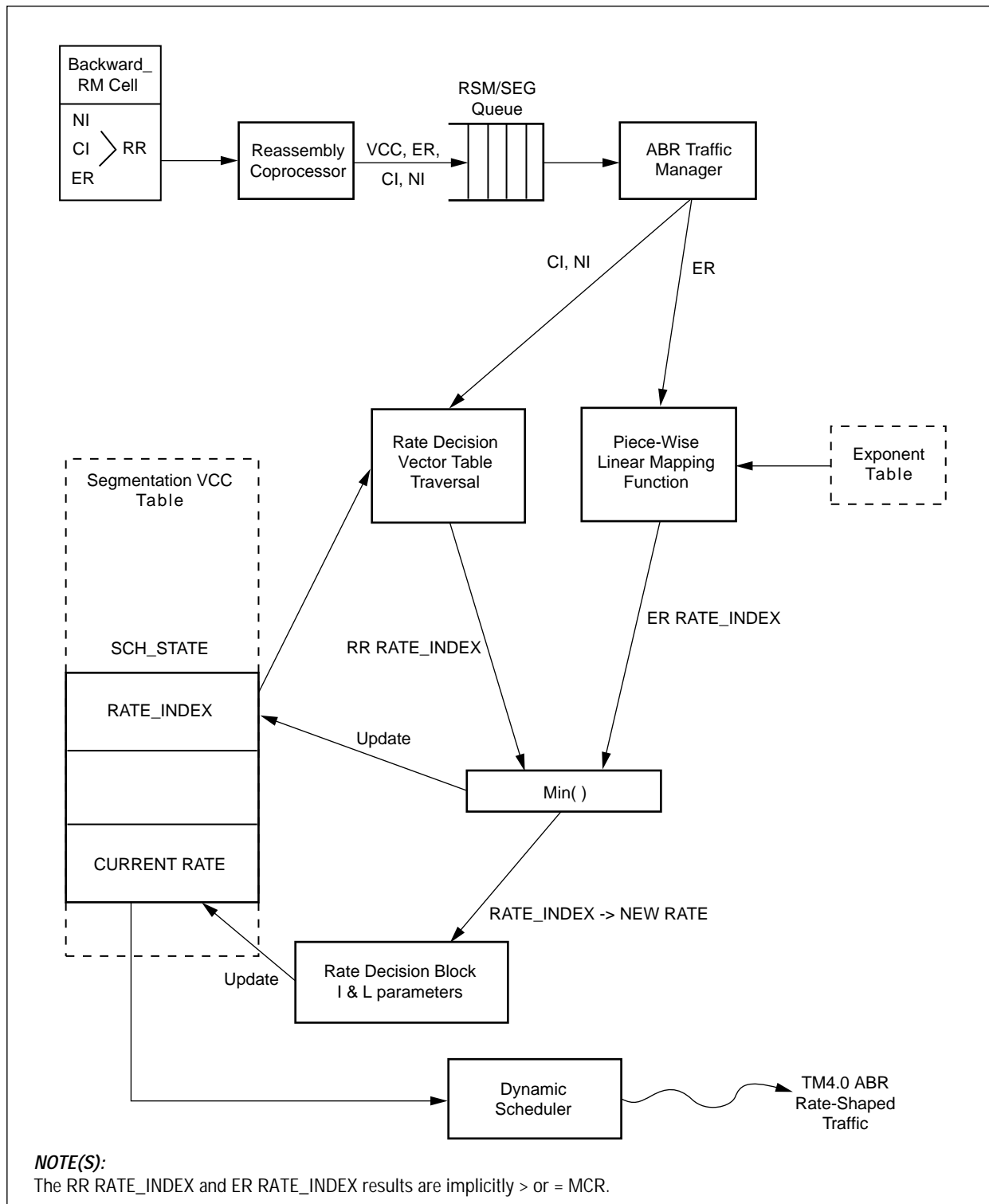


100074_059

Once both candidates are identified, the RS8234 selects the smaller of the two, each of which are \geq MCR. The winning candidate then replaces the current RATE_INDEX in the VCC's SCH_STATE entry. Then the RS8234 uses this RATE_INDEX to point to the corresponding appropriate RDB and, as specified in TM 4.1, updates the VCC's rate parameter with the RDB's *I* and *L* parameters.

Figure 6-21 shows a block diagram of this process. The reassembly coprocessor passes the CI, NI, and ER fields from the RM cell to the ABR Flow Control Manager via the RSM/SEG Queue. The Flow Control Manager uses the ABR Rate Decision Table and the Exponent Table, both programmable components of an ER template, to calculate the two RATE_INDEX candidates, each of which are \geq MCR. The min() function is applied to select a winning candidate. Then the RS8234 updates the VCC's rate parameters with the newly selected rate index. This rate index points to a Rate Decision Block whose *I* and *L* parameters establish the new rate. The Cell Scheduler uses the updated rate to schedule all future traffic (until the next rate update, of course.)

Figure 6-21. Dynamic Traffic Shaping from RM Cell Feedback



100074_060

6.3.7.4 Forward RM Cell Transmission Decisions

The RS8234 also adjusts the transmission rates of an ABR in-rate cell stream before sending a Forward RM cell. This adjustment utilizes a Rate Decision Vector selection process. As stated above, four of the eight ARDB vectors are used for CI/NI rate adjustment. The other four are used for Forward RM cell rate adjustments.

Instead of the CI/NI bits, the Forward RM cell vector selection is based upon the ADTF timer and the Crm counter. These internal measures may force the connection to decrease its rate when sending an RM cell.

The ER for Forward RM cells on any channel is set in word 18 of the VCC table entry (FWD_ER). The normal value for FWD_ER is PCR. When this field is initialized in the VCC Table entry, it should be set to the rate specified by the exponent table entries so that the resulting selected rate is \geq PCR. This is because when a Forward RM cell is eventually received as a Backward RM cell, the RS8234 will map the available cell rate (ACR) to a rate specified by the exponent table. If PCR falls between two exponent table rates and FWD_ER is set to PCR, the ACR of the connection will be limited to the lower of the two exponent table rates, thereby lowering the rate below PCR.

6.3.7.5 Optional Rate Adjustment in Turnaround RM Cells Based on Congestion in the Switch

The system designer has the option of dictating a lowered explicit rate in Turnaround RM cells, on any VCC which encounters congestion in the free buffer queue for that VCC.

The Schedule Congestion register, SCH_CNG, includes a 32-bit field, FBQ_CNG[31:0]; one bit for each of the 32 free buffer queues. The Host sets the appropriate bit in this register field for any free buffer queue experiencing congestion (i.e., an Empty condition).

The system designer can map each VCC to its free buffer queue ID by setting the CONG_ID field in the VCC's SCH_STATE to the value of that FBQ ID.

NOTE: This is a suggested mapping only. The system designer may wish to employ some other mapping strategy than the above.

The designer enables this option for any rate by setting the CONG_ENA bit in that rate's ABR Rate Decision Block (ARDB) to one. As a general rule, the designer would set the CONG_ENA bit in those ARDBs describing higher rates, when switch congestion is more likely to occur.

In each of the ARDBs that have the CONG_ENA bit set, the designer also assigns a new lower explicit rate for congestion condition, and stores this rate in the CONG_ER field of the ARDB.

During operation, when a Forward RM cell is received and CONG_ENA=1 for that rate, the RS8234 uses the CONG_ID value to look at the corresponding SCH_CNG(FBQ_CNG[31:0]) bit to determine if it is set to logic high. If it is, the RS8234 assigns the lowered rate in the CONG_ER field as the new explicit rate in the Turnaround RM cell.

6.3.7.6 Optional Rate Adjustment Due to Use-It-Or-Lose-It Behavior

The Use-It-Or-Lose-It behavior defined in TM 4.1 describes a rate adjustment for a VCC that has a high ACR but is not actually using that bandwidth in transmission. In this case, the ACR is lowered to the level of ICR for that channel.

The RS8234's implementation of the TM 4.1 Use-It-Or-Lose-It behavior allows the system designer to exactly tailor its operation. It uses a simple timeout mechanism, dictatable for each explicit rate.

The designer selectively enables this function for the rate(s) he chooses by setting the ACR_ENA bit to a logic high in each of the corresponding ABR Rate Decision Blocks. As a general guideline, this bit would only be set in those ARDBs dictating rates above ICR.

In those ARDBs which have this function enabled, the designer also specifies two other values: ACR_TO (the trigger time for the timeout value when the rate adjustment function activates), and ACR_INDEX (the new lower explicit rate index to be established when the use-it-or-lose-it behavior is triggered).

As a general guideline, ACR_TO should be patterned on the ACR Decrease Time Factor (ATDF), and ACR_INDEX should be patterned on the rate index for ICR.

During run time on those ARDBs with the ACR_ENA bit set, the RS8234 compares RM_TIME (the schedule slot count at the time the last Forward RM cell was generated) with ACR_TO. If the trigger point for the timeout has been reached, the RS8234 generates a new Forward RM cell with the ACR_INDEX value as the assigned new explicit rate.

6.3.8 Boundary Conditions and Out-of-Rate RM Cells

6.3.8.1 Calculated Rate Boundaries

When the system designer pre-calculates the rates for the ARDB tables, the designer must tailor those rates to fall within the two obvious upper and lower rate boundaries—the lower rate boundary should not fall below MCR, and the upper rate boundary should not be calculated above PCR.

6.3.8.2 Out-of-Rate Forward RM Cell Generation

A mechanism must exist to restart scheduling of a VCC once the rate on that channel has dropped to zero, or is below the schedule table minimum rate (i.e., the rate is less than one schedule slot on the schedule table). Out-of-rate Forward RM cell generation provides this mechanism.

To globally enable out-of-rate Forward RM cell generation, set SCH_ABRBASE(OOR_ENA) to a logic high.

The system designer can set the SET_OOR bit to a logic high in any ABR Rate Decision Block (ARDB). This enables out-of-rate Forward RM cell generation for that rate.

When the actual cell rate on a channel has lowered to the point where scheduling of the VCC has halted, and SET_OOR at that rate = 1, the RS8234 sets the SCH_OOR bit in the VCC's SCH_STATE to a logic high. The RS8234 will then generate an out-of-rate Forward RM cell on that channel.

The RS8234 calculates the rate for generation of out-of-rate Forward RM cells as follows:

$$R = (\text{maximum scheduled rate}) = \text{sysclk}/\text{SLOT_PER}$$

$$\text{generated rate} = R / (\text{OOR_INT} + 1) / (\text{VCC_MAX}/2 + 1)$$

6.3.8.3 Out-of-Rate Backward RM Cells

The system designer can set the TA_OOR bit to a logic high in any ABR Rate Decision Block. This enables the RS8234 sending a Backward RM cell out-of-rate when there is a pending Turnaround RM cell scheduled at that rate but not yet sent, and another Forward RM cell is received.

6.4 GFC Flow Control Manager

6.4.1 A Brief Overview of GFC

Generic Flow Control (GFC) is a one-way control mechanism which allows the network equipment to control the input from an end station, for the class(es) of traffic defined as controlled. This mechanism does not allow the end station to exert any control on traffic from the network.

The usefulness of GFC is that it allows overbooking of the bandwidth on the input side of the network switch buffers. This allows a much higher degree of multiplexing than is otherwise possible, and allows the network-side costs of connections to be significantly reduced. By overbooking the input bandwidth, a high degree of sharing is possible and the buffer system can be used by more end nodes than full bandwidth input would allow. GFC is used to coordinate access to that bandwidth when temporary conflicts occur.

GFC provides a link-level, short-term, XON/XOFF-type flow control mechanism that only works on the link from the end station to the first piece of network equipment. The GFC protocols are defined and described in ITU Recommendation I.361.

6.4.2 The RS8234's Implementation of GFC

The RS8234 implements the GFC one-queue mode. The reassembly coprocessor provides Auto Configure and Command Detection. The segmentation coprocessor provides Halt Processing and Per-transmit Queue SET_A control. It does not implement the optional Queue B.

Once the link has been configured for GFC operation (as described in the sub-section below), a received HALT indication will cause the segmentation coprocessor to halt processing of all channels, both controlled and uncontrolled. This halt condition will continue until a cell is received without the HALT indication.

A received SET_A indication will increment the GFC credit counter by one. A GFC controlled cell can be sent only when the GFC credit counter is equal to one. Transmission of a GFC controlled cell decrements the credit counter by one. Each of the eight transmit priority queues can be configured for GFC control by setting the appropriate GFCn bit(s) in the Scheduling Priority (SCH_PRI) register. In this way the SAR can segment both GFC controlled and GFC uncontrolled traffic simultaneously. GFC controlled queues will be active only when the GFC credit counter is equal to one.

CBR traffic is not affected by the SET_A command since it is not mapped into a transmit priority queue. In addition, the segmentation coprocessor implements a credit borrow algorithm that provides better utilization of the line when receive and transmit cell streams are not synchronized. Up to one credit can be borrowed.

The user must control the transmitted GFC field via the HEADER_MOD and GFC_DATA fields in the buffer descriptor entries. For GFC controlled channels, GFC_DATA = 0101; and for non-GFC controlled channels, GFC_DATA = 0001.

6.4.2.1 Configuring the Link for GFC Operation

The following describes an example sequence of how to auto-configure a link for GFC operation after the link has been initialized:

1. Host sets a software GFC initialization timer = 0.
2. Disable reassembly coprocessor by setting $RSM_CTRL0(RSM_EN) = 0$.
3. Set the framer chip to pass unassigned cells.
4. Enable the GFC link interrupt (GFC_LINK), by setting $HOST_IMASK0(EN_GFC_LINK) = 1$.
5. Read $HOST_ISTAT0$ register twice to clear it.
6. Enable the reassembly coprocessor and set the GFC initialization timer to some user-assigned value.
7. Upon occurrence of an interrupt and before the GFC initialization timer expires, read $HOST_ISTAT0$. If GFC_LINK is a logic high, continue. If the timer expires before GFC_LINK is detected, do not enable the link for GFC processing.
8. Set $SEG_CTRL(SEG_GFC)$ to a logic high.
9. Set the GFCn bit(s) in the SCH_PRI register to enable the appropriate priority queue(s) for GFC controlled operation.
10. Set the framer chip to generate unassigned cells with GFC field in cell headers set to the value of 0001.

6.5 Traffic Management Control and Status Structures

6.5.1 Schedule Table

At initialization, all words in the entire Schedule Table space should be written to 0xFFFFFFFF. Individual schedule slot entries can then be initialized as either CBR slots or Tunnel slots as needed. The two formats are displayed in [Table 6-5](#).

Table 6-5. Schedule Slot Entry — CBR/Tunnel Traffic

Word	31	30	29	28	27	26	25	24	23	22	21	20	19	18	17	16	15	14	13	12	11	10	9	8	7	6	5	4	3	2	1	0
0	CBR	CBR_TUN_ID															(Reserved for 1 VBR/ABR pointer)															
1-7 ⁽¹⁾⁽²⁾	(Reserved for 2 16-bit VBR/ABR pointers)																															
NOTE(S):																																
⁽¹⁾ Word one is present only when the DBL_SLOT field in SEG_CTRL is set and USE_SCH_CTRL is not asserted, meaning two words per schedule slot.																																
⁽²⁾ When USE_SCH_CTRL is asserted, the value of SLOT_DEPTH determines how many additional words are used in each schedule slot; from 0 to 7 additional words.																																

6.5.2 CBR-Specific Structures

6.5.2.1 CBR Traffic A schedule slot is dedicated to a CBR connection by formatting the CBR bit to a logic high and the CBR_TUN_ID field in the slot entry as illustrated in [Table 6-6](#).

Table 6-6. CBR_TUN_ID Field, Bit Definitions — CBR Slot

Bit	31	30	29	28	27	26	25	24	23	22	21	20	19	18	17	16
Def.	1	CBR_VCC_INDEX (15 bits)														

6.5.2.2 Tunnel Traffic A schedule slot is dedicated to a CBR tunnel by formatting the CBR bit to a logic low and the CBR_TUN_ID field of the slot entry as illustrated in [Table 6-7](#). The Schedule Slot field descriptions are detailed in [Table 6-8](#).

Table 6-7. CBR_TUN_ID Field, Bit Definitions — Tunnel Slot

Bit	31	30	29	28	27	26	25	24	23	22	21	20	19	18	17	16	
Def.	0	PRI3				PRI2				PRI1				PRI0			

Table 6-8. Schedule Slot Field Descriptions — CBR Traffic

Field Name	Description
CBR	Set high to indicate a CBR slot; set low to indicate a tunnel slot.
PRI3	Specifies the highest priority of four possible scheduling priority queues to service when a scheduling slot for this CBR tunnel becomes active.
PRI2	Specifies the second highest priority of four possible scheduling priority queues to service when a scheduling slot for this CBR tunnel becomes active.
PRI1	Specifies the third highest priority of four possible scheduling priority queues to service when a scheduling slot for this CBR tunnel becomes active.
PRI0	Specifies the lowest priority of four possible scheduling priority queues to service when a scheduling slot for this CBR tunnel becomes active.
CBR_VCC_INDEX	Segmentation VCC Index for dedicated CBR schedule slot. CBR VCC indexes range from 0x0000 to 0x7FFE.
<p>NOTE(S): If the user wants only one priority of traffic scheduled in the CBR tunnel, then assign the priority level to PRI3 and make PRI2 the same priority. PRI1 and PRI0 values are Don't Cares in this case. If two priorities are to be assigned to the tunnel, then assign the higher priority to PRI3 and the lower priority to PRI2, making PRI1 the same as PRI2. PRI0 is a Don't Care in this case. If three priorities are to be assigned to the tunnel, then assign the priorities by level to PRI3 (highest), PRI2 and PRI1 (lowest), making PRI0 the same as PRI1. Note that TUN_PRI0_OFFSET can be used to set PRI0 = PRI1, as needed.</p>	

6.5.2.3 SCH_STATE Fields For CBR

This section specifies the SCH_STATE portion (words 7–9) of the Segmentation VCC Table entry, when SCH_MODE = CBR.

The CBR SCH_STATE is shown in Table 6-9, and the field descriptions are detailed in Table 6-10.

Table 6-9. SCH_STATE for SCH_MODE = CBR

Word	31	30	29	28	27	26	25	24	23	22	21	20	19	18	17	16	15	14	13	12	11	10	9	8	7	6	5	4	3	2	1	0
7	Reserved														TUN_PRI_3			TUN_PRI_2			TUN_PRI_1			TUN_PRI_0								
8	Reserved																															
9	Reserved																															

Table 6-10. CBR SCH_STATE Field Descriptions

Field Name	Description
TUN_PRI_3	When SCH_MODE is CBR and CBR_W_TUN bit is set to 1, this field specifies the highest priority of four possible scheduling priority queues to service in place of the unused CBR slot. (This field is not active when CBR_W_TUN = 0.)
TUN_PRI_2	When SCH_MODE is CBR and CBR_W_TUN bit is set to 1, this field specifies the second highest priority of four possible scheduling priority queues to service in place of the unused CBR slot. (This field is not active when CBR_W_TUN = 0.)
TUN_PRI_1	When SCH_MODE is CBR and CBR_W_TUN bit is set to 1, this field specifies the third highest priority of four possible scheduling priority queues to service in place of the unused CBR slot. (This field is not active when CBR_W_TUN = 0.)
TUN_PRI_0	When SCH_MODE is CBR and CBR_W_TUN bit is set to 1, this field specifies the lowest priority of four possible scheduling priority queues to service in place of the unused CBR slot. (This field is not active when CBR_W_TUN = 0.)

6.5.3 VBR-Specific Structures

6.5.3.1 VBR SCH_STATE Table 6-11 and Table 6-12 the SCH_STATE part of the Segmentation VCC Table entry, which consists of words 7–9 for VBR.

See Section 6.2.4, VBR Traffic, for key data on *I* and *L* values.

6.5.3.2 \VBR1 or VBR2 Schedule State Table

Table 6-11. SCH_STATE for SCH_MODE = VBR1 or VBR2

Word	31	30	29	28	27	26	25	24	23	22	21	20	19	18	17	16	15	14	13	12	11	10	9	8	7	6	5	4	3	2	1	0				
7	BUCKET2 (MSB)		L1_EXP				L1_MAN						I1_EXP				I1_MAN																			
8	BUCKET2 (LSB)		Reserved																																	
9	Reserved																																			

Table 6-12. VBR1 and VBR2 SCH_STATE Field Descriptions

Field Name	Description
BUCKET2	Index into Bucket table to give I2 and L2 for SCHED_MODE = VBR2 & VBRC. Bucket table base is given by SEG_BCKB register field. Entries in Bucket table have same format as L1_EXP, L1_MAN, I1_EXP, and I1_MAN.
L1_EXP	GCRA L parameter exponent for bucket 1. L1_EXP must satisfy $L1_EXP \leq \min(I1_EXP + 9, 29)$. L1_EXP that does not satisfy $L1_EXP \geq I1_EXP - 9$ will have an effective L1 value of zero.
L1_MAN	GCRA L parameter mantissa for bucket 1. Bucket 1 L value is: $2^{(L1_EXP - 10)}(1 + L1_MAN/512)$.
I1_EXP	GCRA I parameter exponent for bucket 1. I1_EXP must satisfy $10 \leq I1_EXP \leq 25$.
I1_MAN	GCRA I parameter mantissa for bucket 1. Bucket 1 I value is: $2^{(I1_EXP - 10)}(1 + I1_MAN/512)$.
The GCRA I value is expressed in cell slot intervals. Example $I = \frac{1}{PCR} \times R_{MAX}$ (I is not expressed in cells/sec.)	

6.5.3.3 VBR1 or VBR2

Schedule State Table

Table 6-13. SCH_STATE for SCH_MODE = VBR1 or VBR2

Word	31	30	29	28	27	26	25	24	23	22	21	20	19	18	17	16	15	14	13	12	11	10	9	8	7	6	5	4	3	2	1	0
7	BUCKET2 (MSB)		L1_EXP				L1_MAN				I1_EXP				I1_MAN																	
8	BUCKET2 (LSB)		PRESENT																													
9	DELTA2_SIGN	DELTA2_NZ	DELTA1_SIGN	DELTA1_NZ	DELTA2_EXP				DELTA2_MAN				DELTA1_EXP				DELTA1_MAN															

DELTA1 and DELTA2 give the offsets to the desired position for each bucket and need to have the same resolution as I and L .

Table 6-14. VBR1 and VBR2 SCH_STATE Field Descriptions

Field Name	Description
BUCKET2	Index into Bucket table to give I2 and L2 for SCHED_MODE = VBR2 & VBRC. Bucket table base is given by SEG_BCKB register field. Entries in Bucket table have same format as L1_EXP, L1_MAN, I1_EXP, and I1_MAN.
L1_EXP	GCRA L parameter exponent for bucket 1. L1_EXP must satisfy $L1_EXP \leq \min(I1_EXP + 9, 29)$. L1_EXP that does not satisfy $L1_EXP \geq I1_EXP - 9$ will have an effective L1 value of zero.
L1_MAN	GCRA L parameter mantissa for bucket 1. Bucket 1 L value is: $2^{(L1_EXP - 10)}(1 + L1_MAN/512)$.
I1_EXP	GCRA I parameter exponent for bucket 1. I1_EXP must satisfy $10 \leq I1_EXP \leq 25$.
I1_MAN	GCRA I parameter mantissa for bucket 1. Bucket 1 I value is: $2^{(I1_EXP - 10)}(1 + I1_MAN/512)$.
PRESENT	Current Schedule Table position.
DELTA2_SIGN	When set, indicates delta is negative for bucket 2.
DELTA2_NZ	When set, indicates delta is non-zero for bucket 2.
DELTA1_SIGN	When set, indicates delta is negative for bucket 1.
DELTA1_NZ	When set, indicates delta is non-zero for bucket 1.
DELTA2_EXP	Delta exponent for bucket 2.
DELTA2_MAN	Delta mantissa for bucket 2. Desired position for bucket 2 is: $DELTA2_NZ * 2^{(DELTA2_EXP - 10)}(1 + DELTA2_MAN/512) + PRESENT$.
DELTA1_EXP	Delta exponent for bucket 1.
DELTA1_MAN	Delta mantissa for bucket 1. Desired position for bucket 1 is: $DELTA1_NZ * 2^{(DELTA1_EXP - 10)}(1 + DELTA1_MAN/512) + PRESENT$.
<p>NOTE(S): The GCRA I value is expressed in cell slot intervals. Example $I = \frac{1}{PCR} \times R_{MAX}$ (I is not expressed in cells/sec.)</p>	

6.5.3.4 Bucket Table for VBR2 and VBRC The Bucket Table has only 256 entries. Table 6-15 and Table 6-16 display the entry format and field descriptions for the Bucket Table.

Table 6-15. Bucket Table Entry

Word	31	30	29	28	27	26	25	24	23	22	21	20	19	18	17	16	15	14	13	12	11	10	9	8	7	6	5	4	3	2	1	0
0	Rsvd		L2_EXP			L2_MAN						I2_EXP			I2_MAN																	

Table 6-16. Bucket Table Entry Field Descriptions

Field Name	Description
L2_EXP	GCRA L parameter exponent for bucket 2. L2_EXP must satisfy $L2_EXP \leq \min(I2_EXP + 9, 29)$. L2_EXP that does not satisfy $L2_EXP \geq I2_EXP - 9$ will have an effective L2 value of zero.
L2_MAN	GCRA L parameter mantissa for bucket 2. Bucket 2 L value is: $2^{(L2_EXP - 10)}(1 + L2_MAN/512)$.
I2_EXP	GCRA I parameter exponent for bucket 2. I2_EXP must satisfy $10 \leq I2_EXP \leq 25$.
I2_MAN	GCRA I parameter mantissa for bucket 2. Bucket 2 I value is: $2^{(I2_EXP - 10)}(1 + I2_MAN/512)$.

6.5.4 GFR-Specific Structures

6.5.4.1 GFR Schedule State Table [Table 6-17](#) and [Table 6-18](#) detail the SCH_STATE structure for GFR traffic.

Table 6-17. SCH_STATE for SCH_MODE = GFR

Word	31	30	29	28	27	26	25	24	23	22	21	20	19	18	17	16	15	14	13	12	11	10	9	8	7	6	5	4	3	2	1	0				
7	MCRLIM_IDX (MSB)		L1_EXP			L1_MAN						I1_EXP			I1_MAN																					
8	MCRLIM_IDX (LSB)		Reserved																																	
9	Rsvd		Reserved						Reserved						Reserved																					

Table 6-18. SCH_STATE Field Descriptions for SCH_MODE = GFR

Field Name	Description
MCRLIM_IDX	Index into table of 256 MCR LIMIT values each specifying an increase in the VCC's priority by one if the VCC's rate falls below MCR. The table base is located on top of the BUCKET2 table whose base is given by SEG_BCKB register field. The BUCKET2 table is 1KB in length. Table values are in the form of a non-zero bit, exponent, and mantissa such that MCR_LIMIT is: $MCR_LIM_NZ * 2^{(MCR_LIM_EXP-10)}(1 + MCR_LIM_MAN/512)$
L1_EXP	GCRA L parameter exponent for MCR bucket. L1_EXP must satisfy: $L1_EXP \leq \min(I1_EXP + 9, 29)$ L1_EXP that does not satisfy $L1_EXP \geq I1_EXP - 9$ will have effective L1 value of zero.
L1_MAN	GCRA L parameter mantissa for MCR bucket Bucket 1 L value is: $2^{(L1_EXP - 10)}(1 + L1_MAN/512)$
I1_EXP	GCRA I parameter exponent for MCR bucket. I1_EXP must satisfy $10 \leq I1_EXP \leq 25$
I1_MAN	GCRA I parameter mantissa for MCR bucket. Bucket 1 I value is: $2^{(I1_EXP - 10)}(1 + I1_MAN/512)$

6.5.4.2 GFR MCR Limit Bucket Table

The 128 words of this table contain 256 MCR Limit values, two bucket table entries per word. The table base is on top of the Bucket2 Table. Table values are in the form of a non-zero bit, exponent and mantissa such that MCR_LIMIT is:

$$\text{MCR_LIM_NZ} \cdot 2^{(\text{MCR_LIM_EXP} - 10)} (1 + \text{MCR_LIM_MAN}/512)$$

Table 6-19 and Table 6-20 describe the MCR Limit Bucket Table.

Table 6-19. GFR MCR Limit Bucket Table Entry

Word	31	30	29	28	27	26	25	24	23	22	21	20	19	18	17	16	15	14	13	12	11	10	9	8	7	6	5	4	3	2	1	0
0	Rsvd	NONZERO	MCR_EXP					MCR_MAN					Rsvd	NONZERO	MCR_EXP					MCR_MAN												

Table 6-20. GFR MCR Bucket Table Entry Field Descriptions

Field Name	Description
MCR_EXP	GFR MCR limit exponent. MCR_EXP must satisfy MCR_EXP <= 29.
MCR_MAN	GFR MCR limit mantissa. MCR limit is: NONZERO * $2^{(\text{MCR_EXP}-10)}(1+\text{MCR_MAN}/512)$. VCC priority will be increased by one when rate falls below 1/MCR limit.
NONZERO	GFR MCR limit is non-zero.

6.5.5 ABR-Specific Structures

6.5.5.1 ABR Schedule State Table

Table 6-21 describes the SCH_STATE entries in the segmentation VCC Table for the ABR service class. Table 6-22 details the field descriptions for the ABR SCH_STATE fields.

KEY:


 = Values are furnished by the ABR Templates.

Table 6-21. SCH_STATE for SCH_MODE = ABR

Word	31	30	29	28	27	26	25	24	23	22	21	20	19	18	17	16	15	14	13	12	11	10	9	8	7	6	5	4	3	2	1	0
7	Rsvd		L_EXP			L_MAN						I_EXP			I_MAN																	
8	Rsvd		PRESENT																													
9	Rsvd	MCR_LIM_NZ	DELTA_SIGN	DELTA_NZ	MCR_LIM_EXP				MCR_LIM_MAN						DELTA_EXP			DELTA_MAN														
10	CONG_ID		OOR_PRI		Rsvd		TM_EXP	BCK_OOR	FWD_OOR	SCH_OOR	TA_XMIT	TA_PND	CELL_INDEX																			
11	FWD_INDEX												RM_TIME																			
12	RATE_INDEX												EB_INDEX																			
13	Rsvd	CRM															UNACK															
14	Reserved															NEXT_OOR																
15	MCR_INDEX															ICR_INDEX																
16 ¹	TA_ID				TA_DIR	TA_BN	TA_CI	TA_NI	TA_RA	Rsvd							TA_ER															
17 ¹	TA_CCR															TA_MCR																
18	FWD_ID				FWD_DIR	FWD_BN	FWD_CI	FWD_NI	FWD_RA	Rsvd							FWD_ER															
19	Reserved															FWD_MCR																
NOTE(S):																																
⁽¹⁾ Words 16 and 17 are written directly by the RSm coprocessor (turnaround information).																																

Table 6-22. ABR SCH_STATE Field Descriptions (1 of 2)

Field Name	Description
L_EXP	GCRA L parameter exponent for ER rate.
L_MAN	GCRA L parameter mantissa for ER rate.
I_EXP	GCRA I parameter exponent for ER rate.
I_MAN	GCRA I parameter mantissa for ER rate.
PRESENT	Current schedule table position.
MCR_LIM_NZ	MCR Limit is non-zero. To disable priority bumping, MCR_LIMIT must be set to its maximum value. Thus, MCR_LIM_NZ must be set to 1.
DELTA_SIGN	Delta is negative for ER rate.
DELTA_NZ	Delta is non-zero for ER rate.
MCR_LIM_EXP	MCR Limit exponent. MCR_LIM_EXP must satisfy $MCR_LIM_EXP \leq 29$. To disable priority bumping, MCR_LIMIT must be set to its maximum value. Thus, MCR_LIM_EXP must be set to a decimal value of 31 (i.e., binary all-ones).
MCR_LIM_MAN	MCR Limit mantissa. MCR_LIMIT is: $MCR_LIM_NZ * 2^{(MCR_LIM_EXP-10)} (1+MCR_LIM_MAN/512)$ This format for calculating MCR_LIMIT is the same as used with the GCRA I parameter to calculate rates. VCC priority will be increased by one when rate falls below $1/MCR_LIM$. To disable priority bumping, MCR_LIMIT must be set to its maximum value. Thus, MCR_LIM_MAN must be set to a decimal value of 511 (i.e., binary all-ones).
DELTA_EXP	Delta exponent for ER rate.
DELTA_MAN	Delta mantissa for ER rate. Desired position for ER rate is: $DELTA_NZ * 2^{(DELTA_EXP-10)} (1+DELTA_MAN/512)+PRESENT$
CONG_ID	Congestion Index for changing ER on turnaround RM cells. The ER in the turnaround cell is changed only if the FBO_CNG[CONG_ID] bit is set in the SCH_CNG register. The normal setting for this field is the free buffer queue ID for the VCC.
OOR_PRI	Segmentation priority for out-of-rate RM cells.
TM_EXP	RM_TIME value has expired and is no longer valid.
BCK_OOR	Backward RM cell has been scheduled out-of-rate.
FWD_OOR	Forward RM cell has been scheduled out-of-rate.
SCH_OOR	VCC has halted due to low ACR and has out-of-rate Forward RM cells enabled.
TA_XMIT	A Backward RM cell has been transmitted after the last Forward RM cell transmitted.
TA_PND	A Backward RM cell is waiting for transmission.
CELL_INDEX	ER cell type decision block index for cell type decisions. The cell type decision block is located at byte address $SCH_ABRB*128 + 8*CELL_INDEX$.

Table 6-22. ABR SCH_STATE Field Descriptions (2 of 2)

Field Name	Description
FWD_INDEX	ER cell type decision block index for cell type decisions after a Forward RM cell is transmitted.
RM_TIME	Global slot count [21:6] at time of last Forward RM transmission.
RATE_INDEX	ER rate decision block index. The rate decision block is located at byte address $SCH_ABRB*128 + 32*RATE_INDEX$.
EB_INDEX	ER exponent table index for rate index block. The exponent table is located at byte address $SCH_ABRB*128 + EB_INDEX*128$.
CRM	ER parameter.
UNACK	Number of Forward RM cells transmitted since last Backward RM cell received. Initialize to zero.
NEXT_OOR	Next VCC index for linking out-of-rate RM cells.
MCR_INDEX	Minimum Cell Rate decision block index. The rate decision block is located at byte address $SCH_ERB*128 + 32*MCR_INDEX$.
ICR_INDEX	Initial Cell Rate decision block index. The rate decision block is locate at byte address $SCH_ERB*128 + 32*ICR_INDEX$.
TA_ID	ID field from most recent received Forward RM cell. This field is written by the SAR.
TA_DIR	DIR field for turnaround (Backward) RM cell. This field is written by the SAR.
TA_BN	BN field for turnaround (Backward) RM cell. This field is written by the SAR.
TA_CI	CI field for turnaround (Backward) RM cell. This field is written by the SAR.
TA_NI	NI field for turnaround (Backward) RM cell. This field is written by the SAR.
TA_RA	RA field from most recent received Forward RM cell. This field is written by the SAR.
TA_ER	ER field for turnaround (Backward) RM cell. This field is written by the SAR.
TA_CCR	CCR field from most recent received Forward RM cell. This field is written by the SAR.
TA_MCR	MCR field from most recent received Forward RM cell. This field is written by the SAR.
FWD_ID	ID field for transmitted Forward RM cells. This field is supplied by the user.
FWD_DIR	DIR field for transmitted Forward RM cells. This field is supplied by the user.
FWD_BN	BN field for transmitted Forward RM cells. This field is supplied by the user.
FWD_CI	CI field for transmitted Forward RM cells. This field is supplied by the user.
FWD_NI	NI field for transmitted Forward RM cells. This field is supplied by the user.
FWD_RA	RA field for transmitted Forward RM cells. This field is supplied by the user.
FWD_ER	ER field for transmitted Forward RM cells. This field is supplied by the user.
FWD_MCR	MCR field for transmitted Forward RM cells. This field is supplied by the user.

6.5.6 ABR Instruction Tables

An ABR cell decision block consists of 16 Cell Type Actions. The correct cell type action is selected with a 4-bit cell type decision vector.

Table 6-23. ABR Cell Decision Block (ACDB)

Word	31	30	29	28	27	26	25	24	23	22	21	20	19	18	17	16	15	14	13	12	11	10	9	8	7	6	5	4	3	2	1	0
0	CT_ACT7				CT_ACT6				CT_ACT5				CT_ACT4				CT_ACT3				CT_ACT2				CT_ACT1				CT_ACT0			
1	CT_ACT15				CT_ACT14				CT_ACT13				CT_ACT12				CT_ACT11				CT_ACT10				CT_ACT9				CT_ACT8			

Table 6-24. ABR Cell Type Actions

Value	Description
0000	Reserved (no action).
0001	Send data cell without reporting I_MAN and I_EXP in status entry.
0010-1000	Reserved (no action).
1001	Send data cell with reporting of I_MAN and I_EXP in status entry.
1010	Send in-rate Forward RM cell.
1011	Send in-rate Backward RM cell.
1110-1111	Reserved (no action).

Table 6-25. ABR Cell Type Decision Vector (ACDV)

Bit	Name	Description
3	TRM_EXP	Time since last Forward RM transmitted >= TRM.
2	TA_PND	TA_PND bit set in VCC Table entry.
1	TA_XMIT	TA_XMIT bit set in VCC Table entry.
0	RUN	RUN bit set in VCC Table entry.

Table 6-26. ABR Rate Decision Block (ARDB)

Word	31	30	29	28	27	26	25	24	23	22	21	20	19	18	17	16	15	14	13	12	11	10	9	8	7	6	5	4	3	2	1	0
0	ACR_EN	CONG_EN	TA_OOR	SET_OOR	L_EXP				L_MAN						I_EXP				I_MAN													
1	CONG_ER										ACR																					
2	ACR_INDEX										ACR_TO																					
3	Rsvd																															
4	NEW_RATE1										NEW_RATE0																					
5	NEW_RATE3										NEW_RATE2																					
6	NEW_RATE5										NEW_RATE4																					
7	NEW_RATE7										NEW_RATE6																					

Table 6-27. ARDB Field Descriptions

Field Name	Description
ACR_EN	ACR "Use-It-Or-Lose-It" behavior enabled on rate.
CONG_EN	Enable congestion rate adjustment on rate.
TA_OOR	Out of rate RM cell turnaround enabled on rate.
SET_OOR	Rate is below schedule table min rate. Enable out-of-rate Forward RM generation to restart VCC.
L_EXP	GCRA L parameter exponent for ER rate.
L_MAN	GCRA L parameter mantissa for ER rate.
I_EXP	GCRA I parameter exponent for ER rate.
I_MAN	GCRA I parameter mantissa for ER rate. I and L parameters are copied to VCC structure.
CONG_ER	New ER for congestion.
ACR	ACR field for transmitted forward RM cell.
ACR_INDEX	New rate index for ACR lose-it behavior triggered. The new rate decision block is located at byte address SCH_ERB*128 + 32*ACR_INDEX.
ACR_TO	ACR Lose-it behavior trigger time.
NEW_RATE7 - NEW_RATE0	New rate indexes. The correct new rate index is selected with a 3-bit rate decision vector. The rate decision block is located at byte address SCH_ERB*128 + 32*NEW_RATEn.

Table 6-28. ABR Rate Decision Vector (ARDV)

Value	Description
000	Reserved/Unused, or Transmit Forward RM cell, ADTF not expired, CRM not expired
001	Transmit Forward RM cell, ADTF not expired, CRM expired
010	Reserved/Unused, or Transmit Forward RM cell, ADTF expired, CRM not expired
011	Reserved/Unused, or Transmit Forward RM cell, ADTF expired, CRM expired
100	Received Backward RM cell with CI = 0, NI = 0
101	Received Backward RM cell with CI = 0, NI = 1
110	Received Backward RM cell with CI = 1, NI = 0
111	Received Backward RM cell with CI = 1, NI = 1

An exponent table maps an explicit rate to a rate decision block index. The table is indexed by the ER exponent.

Table 6-29. Exponent Table

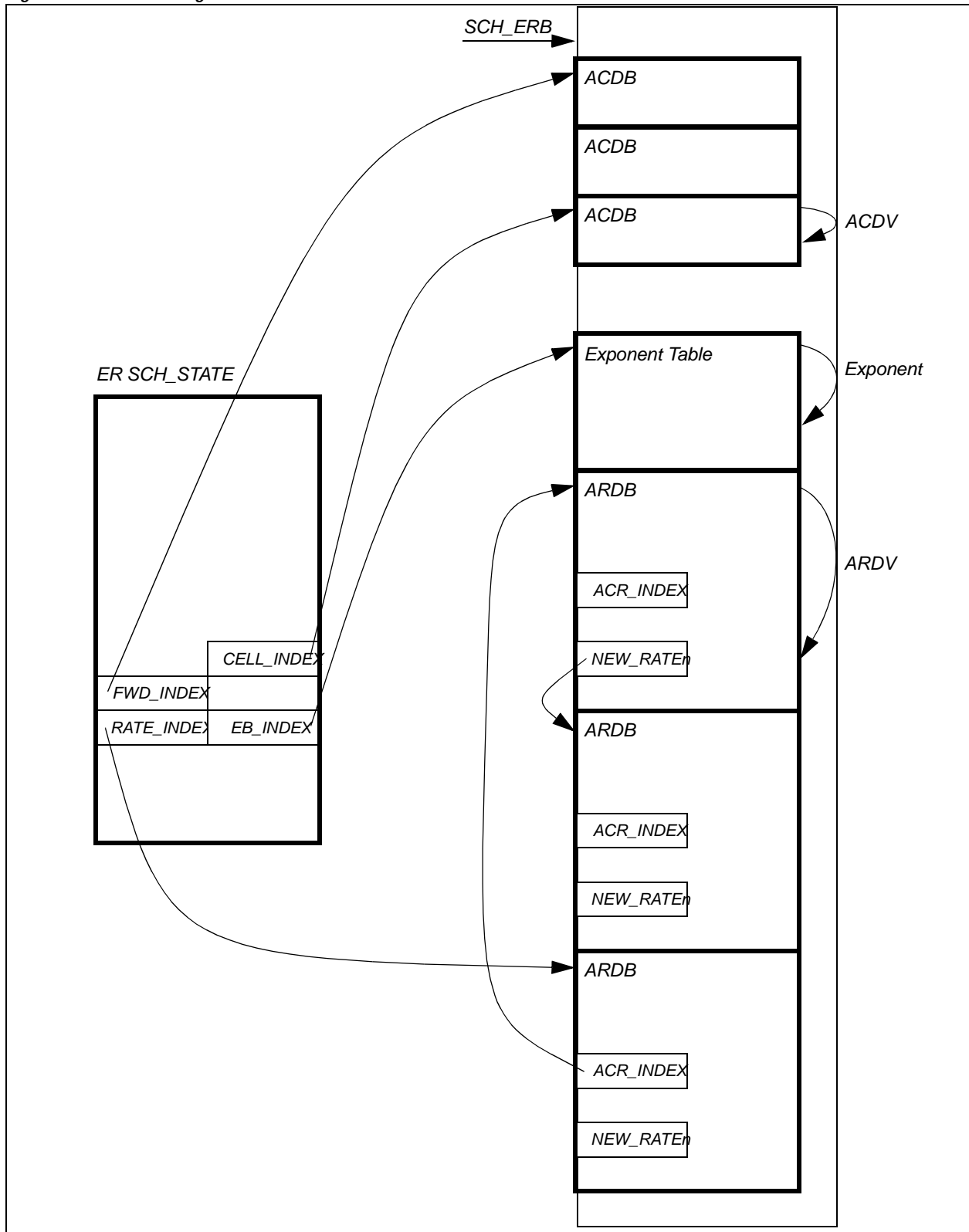
Word	31	30	29	28	27	26	25	24	23	22	21	20	19	18	17	16	15	14	13	12	11	10	9	8	7	6	5	4	3	2	1	0
0	Rsvd												SHIFT0				EXP_BASE0															
:	Rsvd												:				:															
31	Rsvd												SHIFT31				EXP_BASE31															

Table 6-30. Exponent Table Field Descriptions

Field Name	Description
EXP_BASE31-EXP_BASE0	Base rate decision block index.
SHIFT31-SHIFT0	Shift of ER mantissa. Rate index is EXP_BASEn + mantissa>>SHIFTn. If the ER NZ bit is not set, the rate index is EXP_BASE0.

Figure 6-22 illustrates the linkage pattern between the components of the ABR Instruction Tables.

Figure 6-22. ABR Linkage



6.5.7 RS_QUEUE

Table 6-31. RS_QUEUE Entry -- OAM-PM Reporting Information Ready for Transmission

Word	31	30	29	28	27	26	25	24	23	22	21	20	19	18	17	16	15	14	13	12	11	10	9	8	7	6	5	4	3	2	1	0
0	0000 OAM_PM		Rsvd				BLER					SEG_VCC_INDEX																				
1	BCK_TUC0											BCK_TUC01																				
2	TRCC0											TRCC0+1																				
3	Rsvd																															

Table 6-32. RS_QUEUE Entry -- Forward ER RM Cell Received

Word	31	30	29	28	27	26	25	24	23	22	21	20	19	18	17	16	15	14	13	12	11	10	9	8	7	6	5	4	3	2	1	0
0	0100 ER_FWD		Rsvd														SEG_VCC_INDEX															
1	Rsvd																															

Table 6-33. RS_QUEUE Entry -- Backward ER RM Cell Received

Word	31	30	29	28	27	26	25	24	23	22	21	20	19	18	17	16	15	14	13	12	11	10	9	8	7	6	5	4	3	2	1	0
0	0101 ER_BCK		Rsvd														SEG_VCC_INDEX															
1	Rsvd									Z	\bar{B}	\bar{C}	\bar{Z}	Rsvd				ER														

Table 6-34. RS_QUEUE Field Descriptions

Field Name	Description
OAM_PM	OAM PM backward reporting information ready for transmission.
BLER	Block Error Result.
SEG_VCC_INDEX	Segmentation VCC index for backward reporting OAM PM cell.
BCK_TUC0	TUC0 field in received forward monitoring cell. Written directly from Forward_RM cell.
BCK_TUC01	TUC01 field in received forward monitoring cell. Written directly from Forward_RM cell.
TRCC0	Total Received Cell Count with CLP=0.
TRCC0+1	Total Received Cell Count with CLP=0+1.
ER_FWD	Forward ER RM cell received.
SEG_VCC_INDEX	Segmentation VCC index for transmitted Backward ER RM cell.
ER_BCK	Backward ER RM cell received.
BN	Backward Explicit Congestion Notification bit from received RM cell.
CI	Congestion Indication bit from received RM cell.
NI	No Increase bit from received RM cell.
ER	Explicit Cell Rate field from received RM cell.

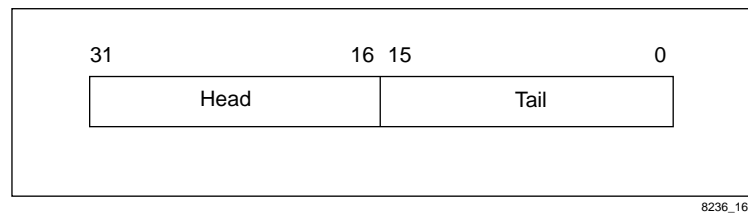
6.5.8 Scheduler Internal SRAM Registers

NOTE: FOR SAR INTERNAL USE ONLY!

Application program should ignore these registers.

The following graphic is a layout for the head and tail pointers.

Figure 6-23. Head and Tail Pointers



Scheduler SRAM registers are located in the address range 0x1640-00x17FF. [Table 6-35](#) describes the memory map of these registers.

Table 6-35. Scheduler Internal SRAM Memory Map

Address	Name	Description
0x1640-0x1643	PRI_PNTR0	Global priority 0.
0x1644-0x1647	PRI_PNTR1	Global priority 1.
0x1648-0x164B	PRI_PNTR2	Global priority 2.
0x164C-0x164F	PRI_PNTR3	Global priority 3.
0x1650-0x1653	PRI_PNTR4	Global priority 4.
0x1654-0x1657	PRI_PNTR5	Global priority 5.
0x1658-0x165B	PRI_PNTR6	Global priority 6.
0x165C-0x165F	PRI_PNTR7	Global priority 7.
0x1660-0x1663	PRI_PNTR8	Global priority 8.
0x1664-0x1667	PRI_PNTR9	Global priority 9.
0x1668-0x166B	PRI_PNTR10	Global priority p10.
0x166C-0x166F	PRI_PNTR11	Global priority 11.
0x1670-0x1673	PRI_PNTR12	Global priority 12.
0x1674-0x1677	PRI_PNTR13	Global priority 13.
0x1678-0x167B	PRI_PNTR14	Global priority 14.
0x167C-0x167F	PRI_PNTR15	Global priority 15.
0x1680-0x17FF	Reserved	Not implemented.

7.0 OAM Functions

7.1 OAM Overview

OAM cells are ATM Layer management messages. These are generated by the host on the segmentation side of the RS8234, and are detected and either monitored or processed on the reassembly side of the RS8234.

ATM's OAM capabilities differentiate it from other less robustly managed communication technologies. The RS8234 provides internal support for the detection and generation of OAM traffic, including Performance Monitoring (PM) OAM.

The RS8234 supports the F4 and F5 OAM flows according to ITU-T Recommendation I.610. It also monitors the performance of up to 128 channels, generating PM-OAM cells according to the same specification.

7.1.1 OAM Functions Supported

Refer to ITU-T Recommendation I.610 for complete information on the structures and functions of OAM cell generation, detection, and processing.

Table 7-1 below lists the OAM functions of the F4 and F5 OAM flows, as defined in Recommendation I.610.

Table 7-1. OAM Functions of the ATM Layer

OAM Function	Main Application
AIS (Alarm Indication Signal)	For reporting defect indications in the forward direction.
RDI (Remote Defect Indication)	For reporting remote defect indications in the backward direction.
CC (Continuity Check)	For continuously monitoring the continuity of a connection. A continuity cell is used periodically to check whether a connection is idle or has failed.
Loopback	Used for: on-demand connectivity monitoring, fault localization, and pre-service connectivity verification.
PM (Performance Monitoring)	For estimating performance and for reporting performance estimations in the backward direction.
Activation/Deactivation	For activating/deactivating performance monitoring and continuity check.
System Management	(For use by end-systems only.)

The RS8234 internally supports the following functions as described in I.610:

- Full Performance Monitoring functions (designed for estimating transmission performance on any channel, and for reporting performance estimations in the backward direction)
- Detection of OAM cells, and routing them as directed by the host
- Generation of OAM cells, as directed by the host

Implementation of the full range of functions in processing OAM cells will be done at the software level due to the low bandwidth of OAM traffic (less than 1% of the bandwidth of active connections).

7.1.2 OAM Flows Supported

7.1.2.1 F4 OAM Flow The F4 OAM flow is the Virtual Path level, provided by OAM cells dedicated to ATM layer OAM functions for Virtual Path Connections (VPCs). The F4 flow is bidirectional.

There are two kinds of F4 OAM flows which can simultaneously exist in a VPC:

- end-to-end F4 flow (used for end-to-end VPC operations communications); and
- segment F4 flow (used for communicating operations information within the bounds of one VPC link, such segment having its source and sink defined by the user).

OAM cells for the F4 flow have the same VPI value as the user cells of the VPC.

F4 flow OAM cells are identified as F4 flow cells by a pre-assigned VCI value of three (segment flow cell) or four (end-to-end flow cell). The same pre-assigned VCI value is used for both directions of the F4 flow.

Table 7-2. VCI Values for F4 OAM Flows

VCI Value	Interpretation
3	Segment OAM F4 flow cell
4	End-to-end OAM F4 flow cell

7.1.2.2 F5 OAM Flow The F5 OAM flow is the Virtual Channel level, provided by OAM cells dedicated to ATM layer OAM functions for VCCs. The F5 flow is bidirectional.

There are two kinds of F5 OAM flows which can simultaneously exist in a VCC:

- end-to-end F5 flow (used for end-to-end VCC operations communications); and
- segment F5 flow (used for communicating operations information within the bounds of one VCC link, such segment having its source and sink defined by the user).

OAM cells for the F5 flow have the same VPI value and VCI value as the user cells of the VCC.

F5 flow OAM cells are identified as F5 flow cells by a pre-assigned PTI code value of 100 (segment flow cell) or 101 (end-to-end flow cell). The same pre-assigned PTI value is used for both directions of the F5 flow.

Table 7-3. PTI Values for F5 OAM Flows

PTI Code	Interpretation
100	Segment OAM F5 flow cell
101	End-to-end OAM F5 flow cell

7.1.2.3 Performance Monitoring (PM)

Performance Monitoring includes a set of functions that monitor and process user information on a channel to produce maintenance information specific to that channel. This maintenance information is added to the in-rate data flow on that channel in the form of PM cells; added at the source of a connection or link, and extracted at the sink of a connection or link. With this maintenance information, the user can estimate and analyze the transport integrity of that channel.

The PM flow is bidirectional, and PM cells are of two basic function types: forward monitoring cells (which carry the forward error detection information), and backward reporting cells (which carry the results of the performance monitoring checks).

The RS8234 performs PM on up to 128 user-assigned channels. The SAR enables PM for a channel by setting the PM enable bits (PM_EN) in the Segmentation and Reassembly VCC State Table entries for that channel.

The RS8234 performs PM processing on any channel by monitoring blocks of user cells on that channel. The size of this block of cells is set by the user, and can have the value (N) of 128, 256, 512, or 1,024 cells. The RS8234 inserts a PM cell after every N user cells on that channel. A block size of zero is valid when the SAR is a destination point ONLY for PM processing. In this case, the segmentation coprocessor will only generate Backward reporting cells in response to reassembly performance monitoring calculations.

PM as performed by the RS8234 calculates the following:

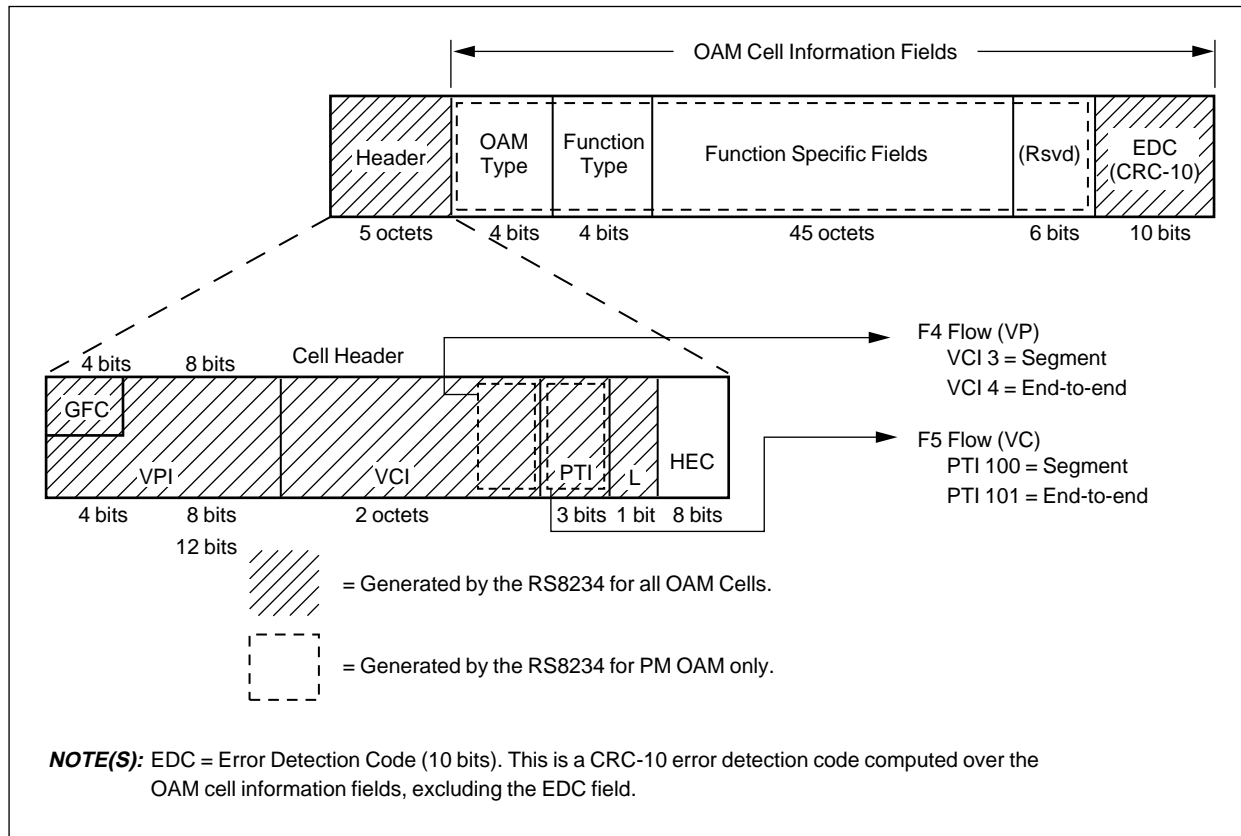
- Errored blocks (by means of a BIP-16 error detection code generated over the payloads of the user cells in the PM block)
- A count of misinserted PM forward monitoring cells

The user can activate PM on any channel either during connection establishment, or at any time after the connection has been established.

7.1.3 OAM Cell Format

Figure 7-1 illustrates the common OAM cell format and identifies the fields specific to OAM.

Figure 7-1. OAM Cell Format



100074_061

The OAM Type and Function Type identifiers as specified by I.610, are listed in Table 7-4.

Table 7-4. OAM Type and Function Type Identifiers

OAM Type ⁽¹⁾	Coding	Function Type ⁽²⁾	Coding
Fault Management	0001	AIS RDI Continuity Check Loopback	0000 0001 0100 1000
Performance Management	0010	Forward monitoring Backward reporting	0000 0001
Activation/Deactivation	1000	Performance Monitoring Continuity Check	0000 0001
System Management	1111		
<p>NOTE(S): ⁽¹⁾ OAM Type indicates the type of management function performed by this cell; e.g., Fault Management, Performance Management, etc. ⁽²⁾ Function Type indicates the actual function performed by this cell within the management type indicated by the OAM Type field.</p>			

7.1.4 Local vs. Host Processing of OAM

ATM carries with it significant network management overhead. The RS8234 supports those robust OAM features described previously. Due to the breadth of ATM applications and the continuing evolution of ATM management standards, it is essential that a range of flexibility be provided in the processing of network management overhead. To provide this flexibility, the RS8234 includes an optional local processor interface.

Since the RS8234 is capable of SAR shared memory segmentation and reassembly, it can route OAM traffic including PM traffic to and from this local processor, thereby off-loading ATM network management from the host. Thus, host processing power is focused on the user applications specifically concerned with processing ATM user data traffic.

To accomplish this, the RS8234 provides global OAM buffer and status queues (OAM_BFR_QU and OAM_STAT_QU, addresses for both assigned in the RSM_CTRL1 register). If the OAM_QU_EN bit in the RSM_CTRL1 register is set to a logic high, then the RS8234 routes OAM traffic to these global queues. And with SAR shared memory addresses assigned to these global queues, the RS8234 processes OAM traffic through the local processor, thereby freeing the host from these management functions. As well, the global OAM segmentation status queue, SEG_CTRL(OAM_STAT_ID), is used if the OAM_STAT bit in the segmentation buffer descriptor is a logic high.

7.2 Segmentation of OAM Cells

The host (or local processor) places OAM cells in a single buffer, and thus allocates a single segmentation buffer descriptor (SBD) for the OAM cell data buffer, not a linked list of SBDs.

The host (or local processor) then writes a pointer to that SBD in the next available transmit queue entry, and sets the VLD bit to one.

When the segmentation coprocessor processes that transmit queue entry, it submits the OAM cell data buffer to the xBR Traffic Manager and the cell thus is scheduled for transmission.

7.2.1 Key OAM-Related Fields for OAM Segmentation

- 7.2.1.1 Segmentation Buffer Descriptors** Several fields in the SBD entry are used to facilitate segmentation of OAM cells.
- Set the 2-bit AAL_OPT field to SINGLE (value = 01). This enables reading 48 octets from a single buffer to form a single ATM cell.
 - Set the OAM_STAT bit to a logic high. The RS8234 will now report status to the OAM-dedicated OAM_STAT_ID identified in the SEG_CTRL register, instead of the STAT specified in the SEG VCC Table entry.
 - Set the single-bit HEADER_MOD field to a logic one. This activates the WR_PT1 and WR_VCI bits in the buffer descriptor, which signal the RS8234 to overwrite the ATM header PTI and VCI fields for that cell with the values from the PTI_DATA and VCI_DATA fields. In this way, F4 and F5 flow OAM cells can be generated by the RS8234.
 - The VCI_DATA field set to a value of three (segment cell) or four (end-to-end cell) generates an F4 flow OAM cell.
 - The PTI_DATA field set to a value of 100 (segment cell) or 101 (end-to-end cell) generates an F5 flow OAM cell.
 - Set the AAL_MODE field to 01 (AAL0).
 - Set both BOM and EOM bits to zero.
 - Set the CRC10 bit to a logic high.
- 7.2.1.2 Low Latency Transmission** For low latency, the LINK_HEAD bit in the transmit queue entry should be set to a logic high. This tells the RS8234 to link the buffer chain at the head of the existing chain for the corresponding VCC. This bit is intended for use with the SEG buffer descriptor's SINGLE option, to send in-line OAM cells. Only a single SEG buffer descriptor may be linked to a transmit queue entry when this bit is set. This bit must also be set if the OAM SBD is placed on the transmit queue after a partial PDU, to ensure correct segmentation.
- 7.2.1.3 Segmentation Status Queue** The SINGLE bit in the SEG status queue entry should be set to a logic high. This bit is set if the SINGLE option in the AAL_OPT field of the SEG buffer descriptor is set. This bit indicates a special buffer is in use, rather than the normal system-assigned buffers for normal CPCS-PDUs.
- 7.2.1.4 F4 Flow** For F4 flow operation, a separate VCC Table entry must be configured.

7.2.2 Error Condition During OAM Segmentation

Each OAM cell has a 10-bit Error Detection Code (EDC) field, for storing and transporting the calculated CRC-10 error detection code results (computed over the OAM cell information fields, excluding the EDC field). To enable this CRC-10 function, set the CRC10 bit in the SEG buffer descriptor entry to a logic high.

7.3 Reassembly of OAM Cells

To enable the reassembly coprocessor to detect and therefore further process OAM cells, set the OAM_EN bit in RSM_CTRL1 to a logic high.

The RS8234 detects the following OAM cell flows:

- Segment F4 Flow
- End-to-end F4 Flow
- Segment F5 Flow
- End-to-end F5 Flow
- PTI = 6
- PTI = 7

The RS8234 provides global OAM buffer and status queues (OAM_BFR_QU and OAM_STAT_QU, addresses for both assigned in the RSM_CTRL1 register). To activate these queues, set the OAM_QU_EN bit in the RSM_CTRL1 register to a logic high. The RS8234 then routes OAM traffic to these global buffer and status queues.

NOTE: The cell buffer size must be large enough to hold a complete cell, when OAM detection is enabled.

7.3.1 Key OAM-Related Fields for OAM Reassembly

7.3.1.1 Reassembly VCC State Table The reassembly VCC State Table field, SEG_VCC_INDEX, should be written to point to the channel index of the corresponding segmentation channel. This is necessary for PM-OAM, as well as ABR channels.

7.3.1.2 Reassembly Status Queue The 3-bit OAM field in the RSM status queue entry should be set to the value indicated in the RSM status queue structure description for that field. A non-zero value in the OAM field indicates that the cell is an OAM cell.

If the CRC-10 error detection code computation on the OAM cell shows an error, the RS8234 will set the CRC_ERROR bit in the status queue entry to a logic high.

7.3.1.3 F4 Flow For F4 flow operation, a separate VCC Table entry must be configured.

7.3.2 OAM Reassembly Operation

Received OAM traffic should be detected and routed to the global OAM buffer and status queues (OAM_BFR_QU and OAM_STAT_QU).

The reassembly coprocessor treats OAM cells as one-cell PDUs. The RSM coprocessor transfers the 48-octet OAM payload to the next available global data buffer, and writes a RSM status queue entry.

Once an OAM cell is detected, the RSM coprocessor checks the cell to determine whether it is a PM cell, by seeing if the OAM_TYPE field in the cell is set to value "0010". Note that PM detection is only performed on F4 and F5 OAM cells.

If the RSM coprocessor finds the cell is a PM cell, it is processed following the guidelines described in [Section 7.4](#).

NOTE: OAM cells that get buffers from the global OAM free buffer queue do not effect the per-VCC firewall calculation.

7.3.3 Error Conditions During OAM Reassembly

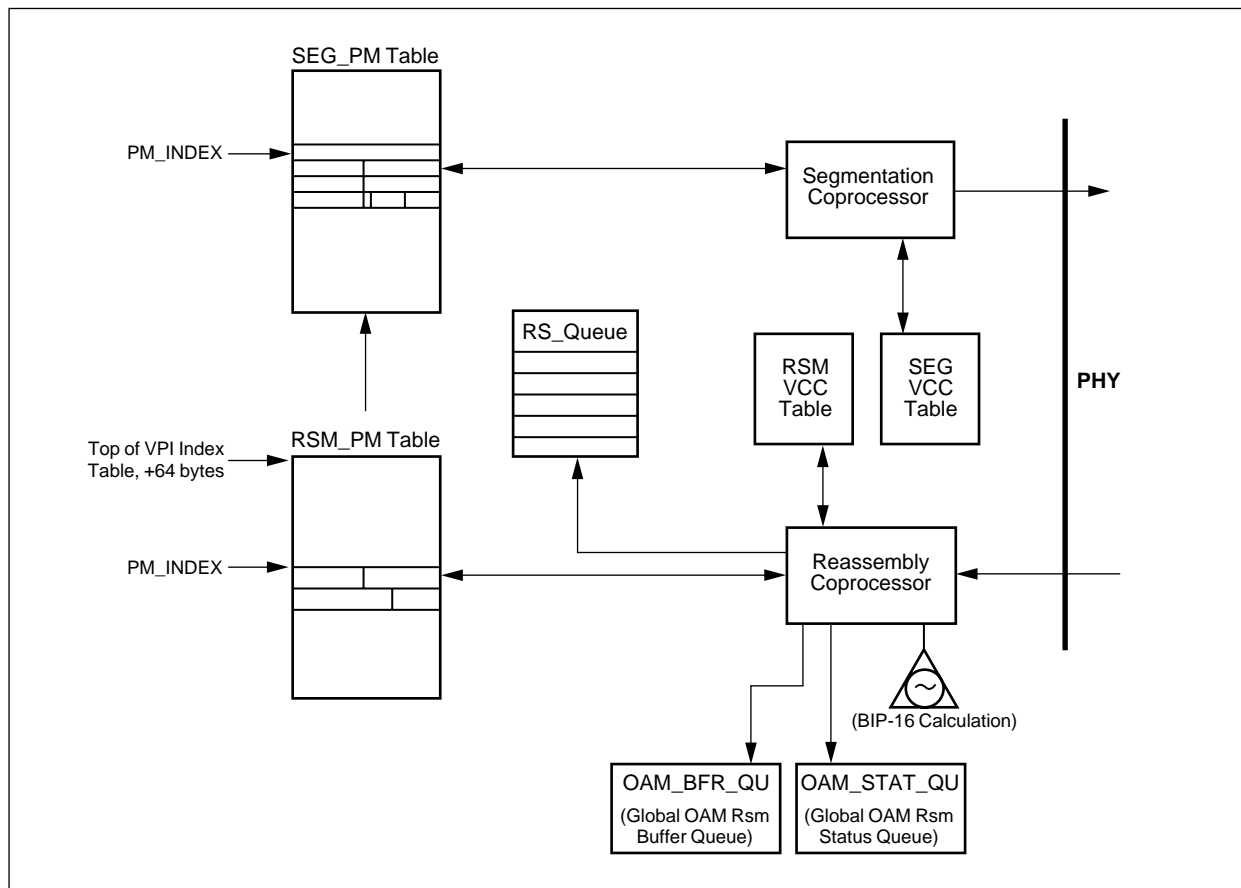
The RSM coprocessor computes the CRC-10 error detection code each received OAM cell's information fields. If an error is detected (i.e., the computed CRC value does not match the CRC-10 value written in the cell), the SAR sets the CRC_ERROR bit in the status queue entry to a logic high.

7.4 PM Processing

OAM Performance Monitoring may be enabled for up to 128 VCCs by setting the PM_EN bits in the RSM VCC Table entry and the SEG VCC Table entry for that channel.

Figure 7-2 illustrates the functional blocks for PM processing.

Figure 7-2. Functional Blocks for PM Segmentation and Reassembly



For any channel on which PM processing is enabled, the RS8234 performs these functions:

- The RSM coprocessor reassembles received PM-OAM cells in the global reassembly OAM buffer queue (OAM_BFR_QU).
- A reassembly status record is written to the global reassembly OAM status queue, for each received PM-OAM cell. The status entry for a forward monitoring PM-OAM cell includes the Block Error Result (BIPV) calculation, and both Total Received Cell Counts (TRCC0 and TRCC0+1). The two Total User Cell number fields (TUC0 and TUC0+1) can be extracted directly from the cell payload.
- The RSM coprocessor performs the BIP-16 calculation on each received data cell in the defined PM block, and writes this data to the RSM_PM table entry set aside for that PM_INDEX.
- For each forward monitoring PM cell received, the RSM coprocessor writes an entry for a backward reporting PM cell in the RS_Queue, causing the RS8234 to generate and transmit a backward reporting PM cell.
- The segmentation coprocessor automatically generates a forward monitoring PM cell at the end of each PM block. It gets the data for these cells from the SEG_PM table entry for that PM_INDEX. This can be optionally disabled by setting the FWD_MON field equal to zero.

7.4.1 Initializing PM Operation

The user must initialize the fields described in [Table 7-5](#) before starting PM processing:

Table 7-5. PM-OAM Field Initialization For Any PM_INDEX

Register / Table	Field	Initialized Value	Notes
RSM_CTRL1 (Reassembly Control Register 1)	OAM_EN	0-1	
	OAM_QU_EN	0-1	
	OAM_BFR_QU	(User assigned)	
	OAM_STAT_QU	(User assigned)	
SEG_PMBASE (SEG PM Base Register)	SEG_PMB[15:0]	(User assigned)	Base address for SEG_PM table.

7.4.2 Setting Up Channels for PM Operation

When the RS8234 receives a PM activation cell (OAM Type = 1000, Function Type = 0000), or when the user decides to activate PM processing on a channel, the host (or local) processor must enable PM on the applicable channel by setting the PM_EN bits in the RSM and SEG VCC Table entries to logic high, and selecting an unused PM_INDEX (0-127).

The host would then initialize the corresponding SEG_PM and RSM_PM table entries. The format of each entry of the SEG_PM table is illustrated in [Table 7-6](#) and the format of each entry of the RSM_PM Table is illustrated in [Table 7-8](#).

The assigned PM_INDEX value for that channel will have to be written to both the RSM VCC Table entry and the SEG VCC Table entry for that channel.

For F4 flows, each VCI channel in the VPI group must have the PM_EN bits in both the RSM VCC Table entry and the SEG VCC Table entry set high, and the PM_INDEX pointing to the same location. In addition, a RSM and SEG VCC Table entry must be configured corresponding to VCI=3 or VCI=4.

To initialize backward reporting without forward monitoring on any channel, set FWD_MON = 0.

Once the SEG_PM and RSM_PM table entries have been initialized, the processor will send an activation confirmed OAM cell to the originator.

7.4.3 PM Operation

PM processing operates automatically on any channel until stopped by clearing the PM_EN fields in the SEG VCC Table entry and the RSM VCC Table entry.

PM-OAM cells are not included in the NRM cell count, as part of ER processing. See [Chapter 6.0](#) for details.

7.4.3.1 Generation of Forward Monitoring PM Cells

The segmentation coprocessor generates a forward monitoring PM cell at the end of each PM block, as defined by the BLOCK_SIZE field in the SEG_PM table for any PM_INDEX. It determines the point to generate a forward monitoring cell by following these processes:

- At the point of initialization of PM processing or when a forward monitoring cell is sent, the SEG coprocessor sets the BLOCK_COUNT field to zero. It also increments Monitoring Cell Sequence Number (MSN), and re-initializes the BIP field to zero.
- As each data cell is segmented, the SEG coprocessor increments the BLOCK_COUNT number and updates the BIP field.
- When the BLOCK_COUNT number reaches the block size specified by the BLOCK_SIZE field, signifying the end of the PM block, the SEG coprocessor generates a new forward monitoring PM cell and starts these processes again.

7.4.3.2 Reassembly of Forward Monitoring PM Cells

When the RS8234 receives a forward monitoring PM cell, the RSM coprocessor reads the RSM_PM table word pointed to by the PM_INDEX field in the RSM VCC Table entry. The location of the RSM_PM Table is above the LECID Table. The BIPV, TRCC0, and TRCC0+1 fields are written to a special RSM-PM forward monitoring status queue entry. The TUC0 and TUC0+1 fields can be extracted directly from the RSM_PM cell payload.

When a new buffer is needed, the reassembly coprocessor uses the global OAM buffer queue if RSM_CTRL1(OAM_QU_EN) is a logic high. Otherwise, it uses the BFR0 pool identification number in the RSM VCC Table to point to the appropriate free buffer queue.

A RSM status entry is written for each OAM cell reassembled.

The reassembly coprocessor uses the global OAM status queue if the RSM_CTRL1(OAM_QU_EN) bit is a logic high. Otherwise, it uses the STAT field in the RSM VCC Table to determine which status queue to use for that channel.

7.4.3.3 Reassembly of Backward Reporting PM Cells

Backward reporting cells are reassembled in the same manner as non-PM OAM cells.

7.4.3.4 Turnaround and Segmentation of Backward Reporting PM Cells

For each forward monitoring cell received, the RS8234 also writes the BIPV, TRCC0, TRCC0+1, TUC0, and TUC0+1 fields to the RS_Queue, for further processing by the segmentation coprocessor. The segmentation coprocessor generates a backward reporting cell.

7.4.3.5 Turnaround of Backward Reporting PM Cells ONLY

To enable turnaround of backward reporting PM cells without generation of forward monitoring PM cells, set the segmentation PM_EN bit in the SEG VCC Table entry to a logic high, set the PM_INDEX, and set the FWD_MON field to zero.

7.4.4 Error Conditions During PM Processing

If OAM cells are not using the global reassembly OAM buffer pool, then the cells are treated as Single Segment Messages (SSMs) for purposes of the firewall protection. OAM cells using the global OAM buffer pool do not have per channel protection.

If the RS_Queue fills, the PM-OAM information will be dropped, and the RS_QUEUE_FULL status indication will be set.

7.4.5 PASS_OAM Function

A PASS_OAM only function is activated by setting bit 22 of word 0 in the RSM VCC table. When active, OAM cells are processed, and data cells are discarded without incrementing any discard counters.

7.5 OAM Control and Status Structures

Refer to the “Control and Data Structures” sections of [Chapter 4.0](#) and [Chapter 5.0](#) for information on VCC Tables, buffer descriptors, the transmit queue, and status queues, as they apply to generating and processing OAM cells.

The base address of the SEG_PM table is given by the SEG_PMB field in the SEG_PMBASE register. The address of each entry is located at byte address,
 $SEG_PMB * 128 + \langle PM_INDEX \rangle * 32$.

The RSM_PM table is located above the LECID table, which is located above the VPI table. The address of each entry is located at byte address,

if $RSM_CTRL0(VPI_MASK)$
 $RSM_ITB * 128 + 1024 + 64 + \langle PM_INDEX \rangle * 16$
else
 $RSM_ITB * 128 + 16384 + 64 + \langle PM_INDEX \rangle * 16$

7.5.1 SEG_PM Structure

Table 7-6 and Table 7-7 describe the structure and field definitions of the SEG_PM table.

Table 7-6. SEG_PM Structure

Word	31	30	29	28	27	26	25	24	23	22	21	20	19	18	17	16	15	14	13	12	11	10	9	8	7	6	5	4	3	2	1	0				
0	ATM_HEADER																																			
1	FWD_TUC0																FWD_TUC01																			
2	FWD_PM	BLOCK_SIZE	FWD_MON	Rsvd	BLOCK_COUNT																BIP															
3					Rsvd								BLER								BCK_MSN								FWD_MSN							
4	BCK_TUC0																BCK_TUC01																			
5	TRCC0																TRCC01																			
6	Reserved																																			
7	Reserved																																			

Table 7-7. SEG_PM Field Descriptions

Field Name	Description
ATM_HEADER	ATM header to use for both backward reporting and forward monitoring cells.
FWD_TUC0	Total User Cell number with CLP=0 for forward monitoring.
FWD_TUC01	Total User Cell number with CLP=0,1 for forward monitoring.
FWD_PM	Initialized to zero. Set to one when BLOCK_COUNT reaches its BLOCK_SIZE limit, signifying that a PM cell is ready to forward.
BLOCK_SIZE	Size in cells of forward monitoring block: 00: block size = 128 01: block size = 256 10: block size = 512 11: block size = 1,024
FWD_MON	Set to enable both forward monitoring and backward reporting. Clear to enable only backward reporting.
BLOCK_COUNT	Number of cells in current monitoring block.
BIP	BIP-16 for forward monitoring.
BLER	Block Error Result for backward reporting cells.
BCK_MSN	Monitoring Cell Sequence Number for backward reporting cells.
FWD_MSN	Monitoring Cell Sequence Number for forward monitoring cells.
BCK_TUC0	TUC0 field for backward reporting cells.
BCK_TUC01	TUC01 field for backward reporting cells.
TRCC0	Total Received Cell Count with CLP=0 for backward reporting.
TRCC01	Total Received Cell Count with CLP=0,1 for backward reporting.

7.5.2 RSM_PM Table

[Table 7-8](#) and [Table 7-9](#) describe the structure and definitions of the RSM_PM table.

Table 7-8. RSM_PM Table Entry

Word	31	30	29	28	27	26	25	24	23	22	21	20	19	18	17	16	15	14	13	12	11	10	9	8	7	6	5	4	3	2	1	0
0	Rsvd																MSN															
1	BIP16																BCNT															
2	TRCC0																TRCC0+1															
3	Rsvd																															

Table 7-9. RSM_PM Table Field Descriptions

Field Name	Description
BIP16	The BIP-16 error detection code generated over the payloads of the user information cells in the PM block.
BCNT	Block Count. This field contains the calculated number of cells in the current PM block.
MSN	Monitoring Cell Sequence Number for forward monitoring PM cells. Backward reporting PM cells are not included in this sequence. This field allows for the detection of lost or mis-inserted PM cells containing forward monitoring information.
TRCC0	Total received cell count with CLP = 0.
TRCC0+1	Total received cell count.

8.0 DMA Coprocessor

8.1 Overview

The DMA coprocessor is intended to perform high-speed sustained data transfers to and from the host memory space. It is controlled by the segmentation and reassembly coprocessors.

The major functions of the DMA coprocessor are to transfer data from the host memory (through the PCI bus) to the segmentation coprocessor, and to transfer data from the reassembly coprocessor to the host memory space (through the PCI bus).

In all modes of operation, the DMA coprocessor maintains a high level of performance. It uses burst transfers when possible to maximize utilization of the host bus bandwidth, performs byte switching to accommodate misaligned transfers, and carries out concurrent input and output transfers (alternating burst reads and burst writes) to support simultaneous input and output data streams.

8.2 DMA Read

For outgoing messages, DMA read cycles move data from host memory to the segmentation coprocessor using a gather DMA method. The maximum burst size is thirteen 32-bit words, which correspond to one cell. The burst size can be reduced by setting the MAX_BURST_LEN field in the PCI Configuration Register at a value less than 13 words.

8.3 DMA Write

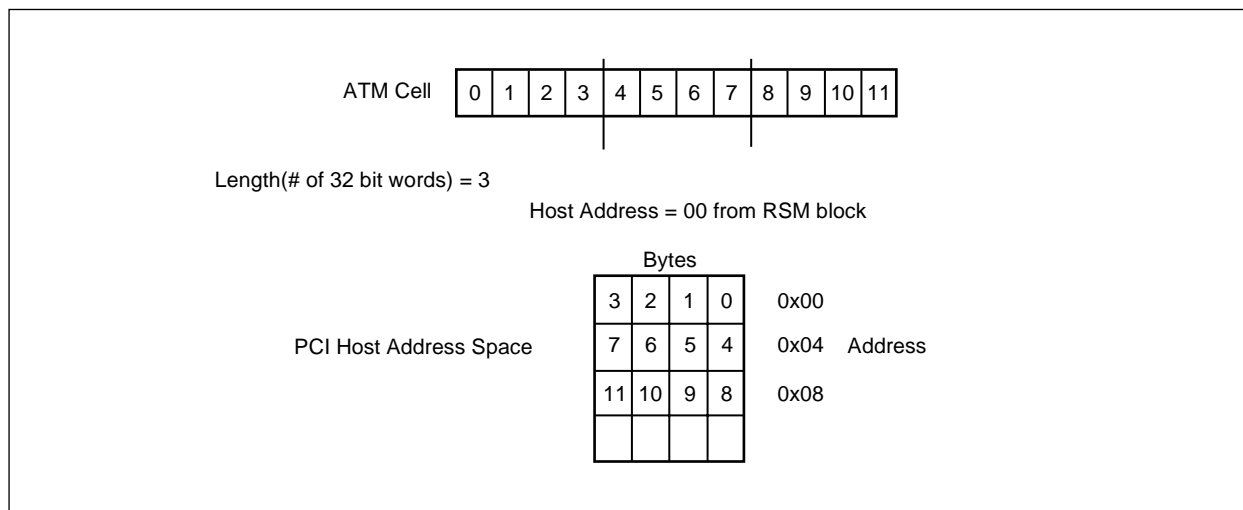
For incoming messages, DMA write cycles move data from the reassembly coprocessor to host memory using a scatter DMA method. The maximum burst size is fourteen 32-bit words, which correspond to one ATM cell and a status word appended to PM cells. The burst size can be reduced by setting the MAX_BURST_LEN field in the PCI Configuration Register at a value less than 13 words.

8.4 Misaligned Transfers

The reassembly and segmentation coprocessors handle data internally on word addresses. The DMA coprocessor must be capable of handling transfers from the PCI bus without the same constraint, i.e., with data that is not aligned on word boundaries. In addition, the length of the transfer is specified in bytes, not 32-bit words, even though the data bus widths are all 32 bits.

To facilitate this, byte-switching logic is used within the RS8234. When the RS8234 specifies a host address with the Least Significant Bits (LSBs) = 00, it is implied that the data is byte aligned. Figure 8-1 shows how a byte-aligned address would map into the PCI host address space for a little endian system. Selecting between big and little endian systems is done using the ENDIAN [bit 12] in Configuration Register 0 [CONFIG0;0x14].

Figure 8-1. Little Endian Aligned Transfer



When the RS8234 specifies a host address with the LSBs not equal to 00, it is implied that the data is misaligned. Figure 8-2 shows how a misaligned address would map into the PCI host address space for a little endian system.

Figure 8-2. Little Endian Misaligned Transfer

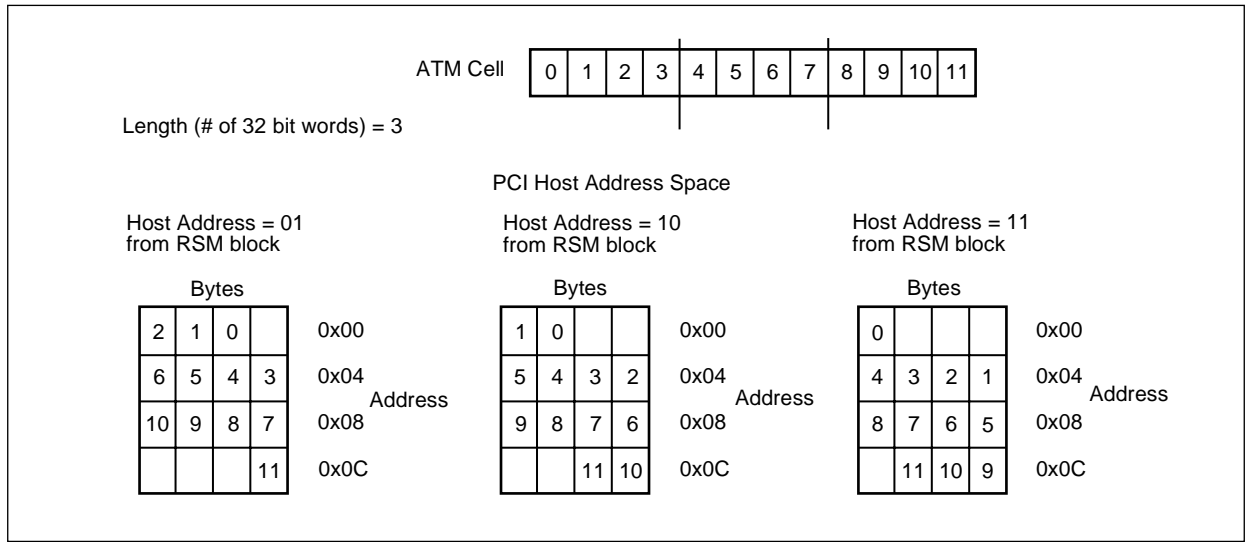
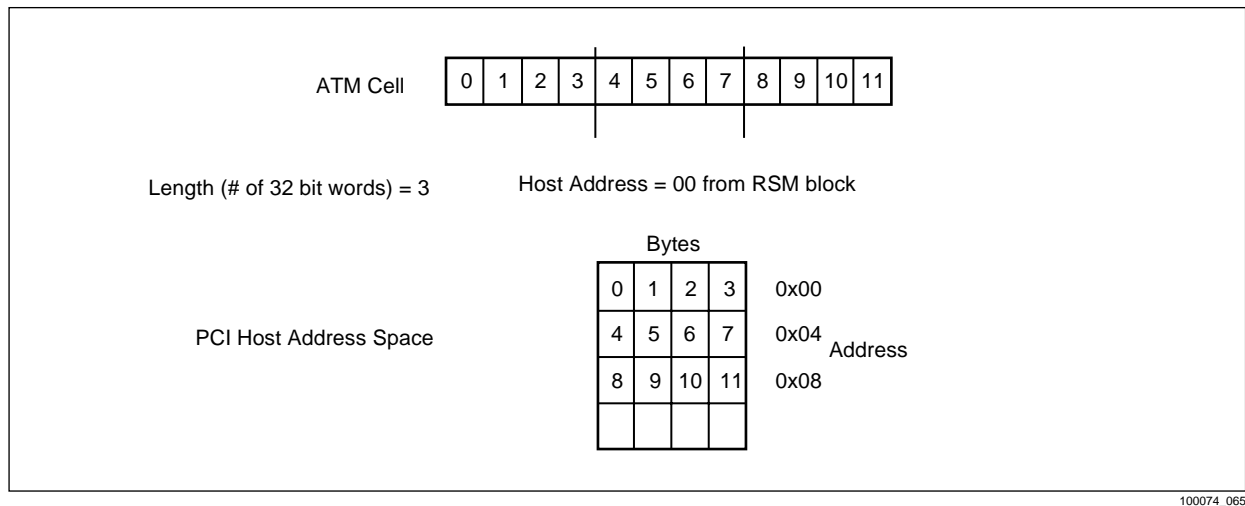


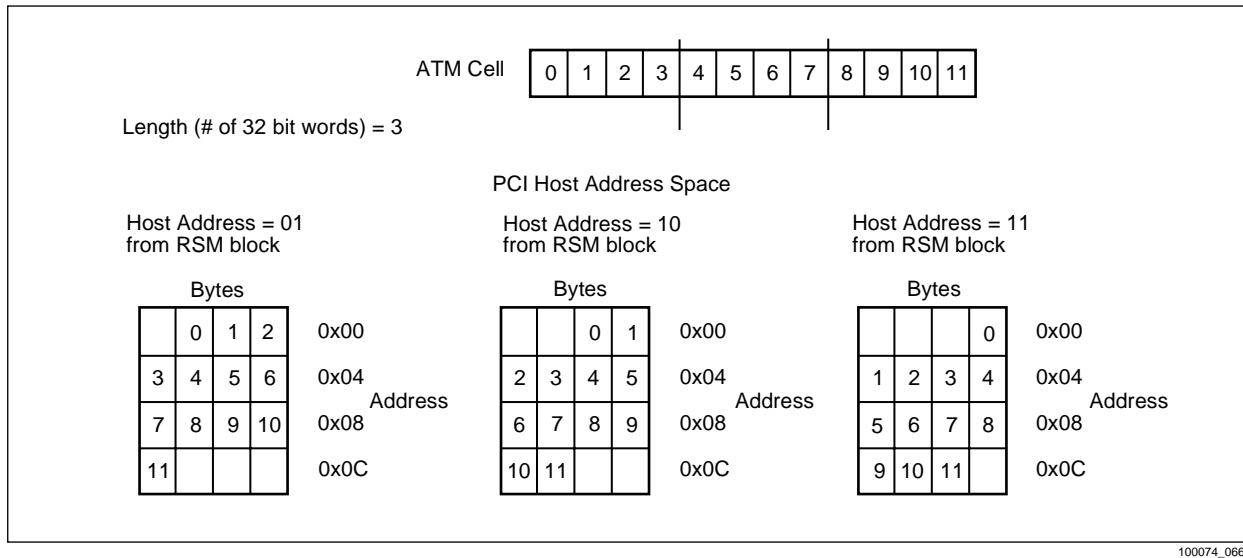
Figure 8-3 shows how a byte-aligned address would map into the PCI host address space for a big endian system.

Figure 8-3. Big Endian Aligned Transfer



When the RS8234 specifies a host address with the LSBs not equal to 00, it is implied that the data is not aligned. Figure 8-4 shows how an unaligned address would map into the PCI host address space for a big endian system.

Figure 8-4. Big Endian Misaligned Transfer



8.5 Control Word Transfers

If a host system sends control words to the SAR in little endian format, the reassembly and segmentation blocks must have the capability of byte swapping, to format these control words to or from big endian.

Control word byte swapping is controlled by bits 30 (Master Control Byte Swap, `MSTR_CTRL_SWAP`) and 29 (Slave Control Byte Swap, `SLAVE_SWAP`), located in the Special Status Register of the PCI Configuration Space (address 0x40).

When `SLAVE_SWAP` is a logic high, the slave interface swaps the bytes of a slave write or read access. When `MSTR_CTRL_SWAP` is a logic high, the control structures that the SAR writes are written with bytes swapped.

An active `HRST*` will cause these bits to be a logic low.

9.0 Local Memory Interface

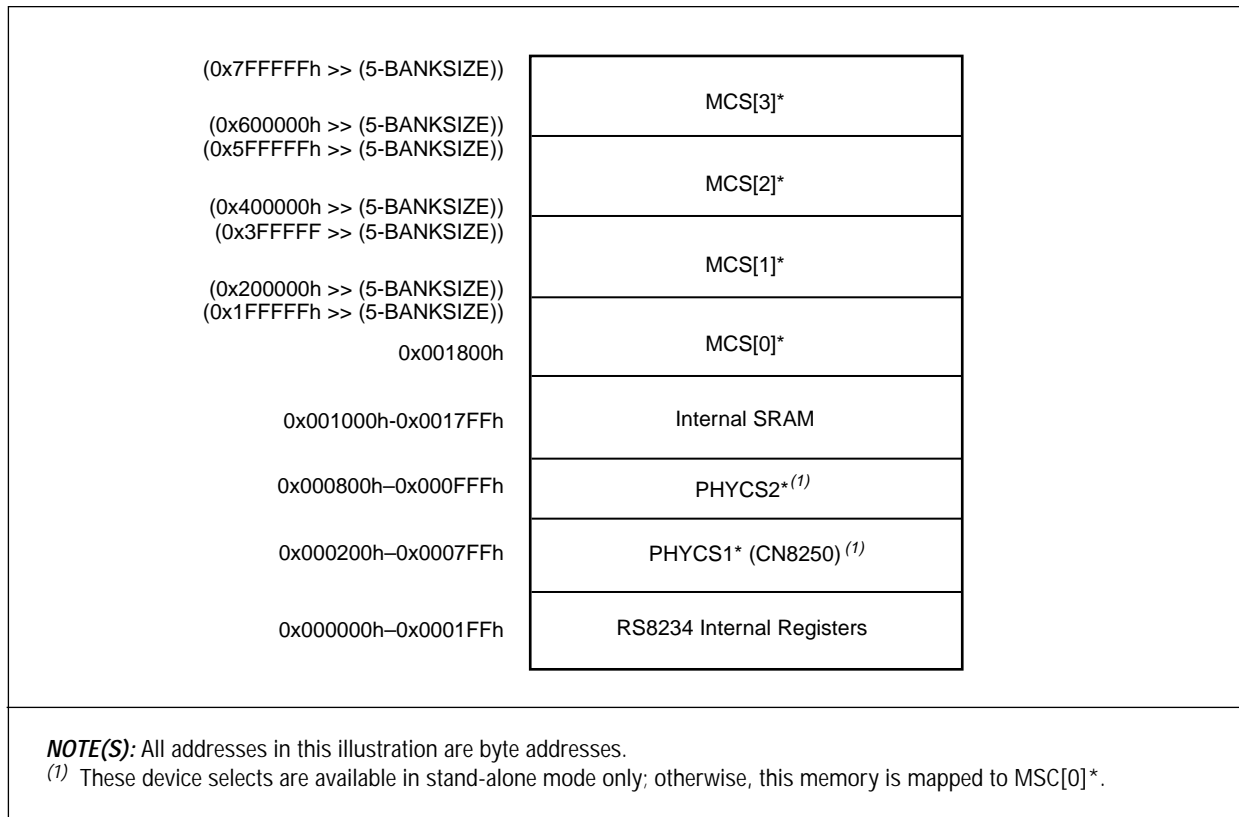
9.1 Overview

To simplify system implementations, the RS8234 integrates a complete memory controller, designed for direct interface to common SRAMs. The control and status registers, as well as the physical interface devices in the standalone mode of operation, are mapped into the bottom of the memory map. Consequently, accesses to these resources are also controlled by the memory controller.

Up to 8 MB of external memory using SRAM devices can be accessed by the RS8234. The amount of memory required is heavily dependent on the number of VCCs implemented, as well as the number of VCCs that are currently active. Memory requirements are discussed further in [Section 9.3](#).

Figure 9-1 shows the RS8234 address map.

Figure 9-1. RS8234 Memory Map



100074_067

9.2 Memory Bank Characteristics

The external memory is organized in one to four banks of up to 2 MB each. The system may use any number of banks to fulfill the memory requirements, the only stipulation is that the banks must be of the same size and organization. The local processor and Host processor select between the banks via the PBSEL[1:0] inputs. PBSEL[1:0] is sourced by local processor Host processor sources PCI Address Bits. BANKSIZE[2:0] (bits 23–21) in the CONFIG0 register denote the size of the memory banks and allow the RS8234 to incorporate the various bank sizes into contiguous memory. [Table 9-1](#) gives the coding of the BANKSIZE[2:0] control bits.

Table 9-1. Memory Bank Size

BANKSIZE	Bank Memory Organization	Total Bank Size (Bytes)	PBSEL[1:0] or PCI Address Bits	Typical Implementation
111	Reserved	—	—	—
110	Reserved	—	—	—
101	512 K x 32	2 M	A[22:21]	Four 512 K x 8
100	256 K x 32	1 M	A[21:20]	Two 256 K x 16, Eight 256 K x 4
011	128 K x 32	512 k	A[20:19]	Four 128 K x 8
010	64 K x 32	256 k	A[19:18]	Two 64 K x 16, Eight 64 K x 4
001	32 K x 32	128 k	A[18:17]	Four 32 K x 8
000	16 K x 32	64 k	A[17:16]	Two 16 K x 16, Eight 16 K x 4

The memory controller is designed to work with standard by_8 and by_4 SRAM devices, as well as with by_16 devices. Grounding the RAMMODE input selects the by_4 or by_8 mode of operation, while pulling RAMMODE to a logic one selects by_16 operation. When by_16 operation is selected, the MWE[3:0]* outputs become byte enables for both reads and writes. [Figure 9-2](#) shows a typical half MB bank implementation using by_8 SRAM devices. [Figure 9-3](#) shows a typical 1 MB bank using by_16 RAM. To connect different sized RAM banks, simply use more or less address bits; all other control remains the same.

NOTE: The number and type of SRAM chips used affect the address and data bus capacitance and, therefore, the AC timing specifications and the required SRAM speed. The use of by_4 devices causes more address bus loading than the use of by_8 or by_16 devices. See [Chapter 15.0](#) for detailed timing information.

Figure 9-2. 0.5 MB SRAM Bank Utilizing by_8 Devices

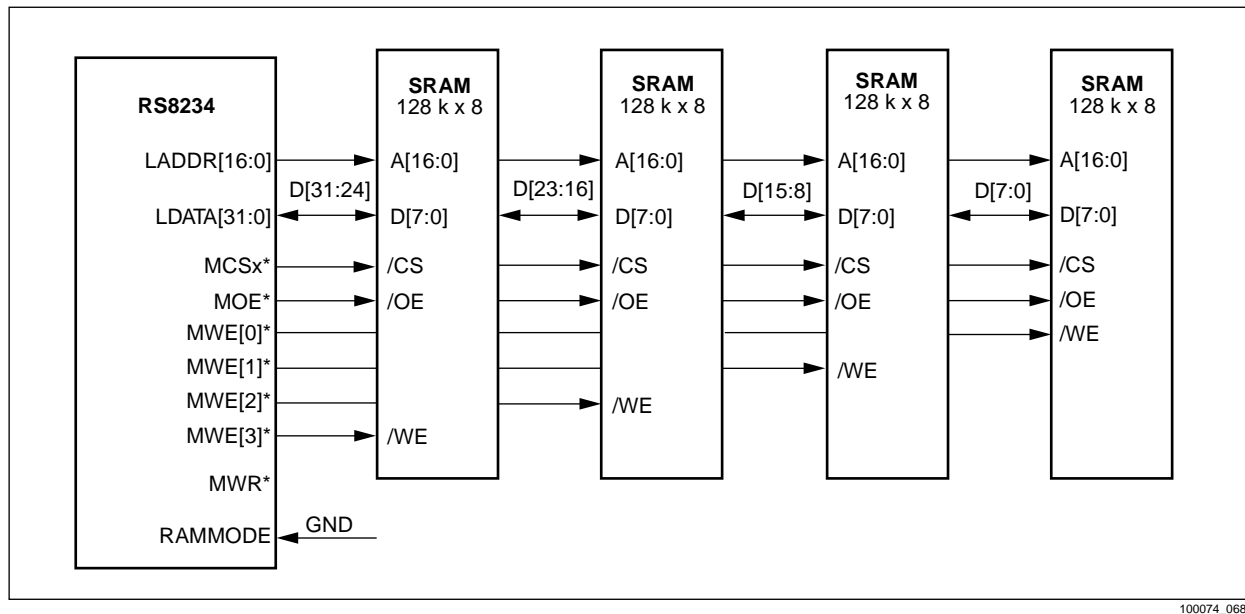
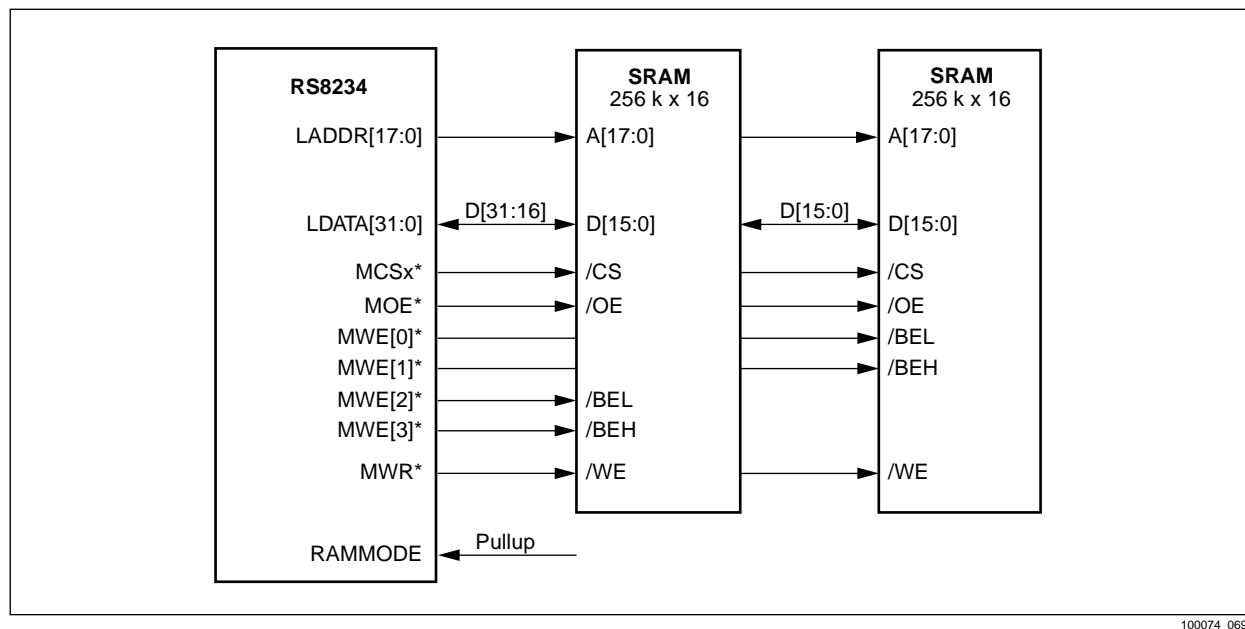


Figure 9-3. 1 MB SRAM Bank Utilizing by_16 Devices



The memory map contains space allocated to the RS825x physical interface IC, and to a future second Mindspeed PHY device. This mapping is only valid when the PROCMODE input pin is pulled high, indicating standalone operation with no local processor present. Standalone operation is detailed in [Section 10.6](#). When PROCMODE is logic low and the local processor is present, addresses 0x100h through 0xFFFh are available for general use and are mapped to MCS[0]*.

The MEMCTRL bit in the CONFIG0 Register selects the number of wait states that the memory controller uses to access the SRAM. A logic zero indicates zero wait state or single-cycle memory, while a logic one indicates one wait state or two-cycle memory. The power-on default is MEMCTRL=1, selecting one wait state or two-cycle memory accesses.

Accesses made to the control registers and internal SRAM by the local processor follow the convention for SRAM accesses; that is, either zero or one wait state, depending on MEMCTRL programming. Subsequently, the local processor sees no functional timing differences between accesses to registers or SRAM. The internal register accesses from the PCI slave interface are always zero wait state. When the RS8234 decodes a PCI slave read to its address space, the RS8234 performs a prefetch of four subsequent (contiguous) word locations.

SRAM access time requirements are directly proportional to the system clock speed, as well as the amount and organization of the memory. The required system clock speed for a given application is dependent on the physical line rate, number of VCCs, and the percentage of idle cells versus assigned cells. Memory access times and other requirements are specified at three typical implementations of one, two, and four banks of by_8 SRAM. In terms of address bus loading, one bank of by_8 SRAM equals one-half bank of by_16 or two banks of by_4. In this way, the system designer can choose the appropriate SRAM characteristics to suit the amount of memory and organization required for the application. See [Chapter 15.0](#) for timing information.

9.3 Memory Size Analysis

Table 9-2 gives the segmentation memory size requirements for 1,024 configured VCCs under the following assumptions:

SEGMENTATION

1. Schedule Table is 2,112 schedule slots and each slot is a double word. This allows CBR and three-priority VBR schedule in 64 K bits/sec increments for an OC-3 connection.
2. Eight ABR Templates.
3. 32 OAM PM channels active.
4. Transmit queues configured for 256 entries.
5. No status queues in SAR local memory.
6. Each active channel has an average of one active segmentation buffer.
7. RS_Queue size is 1,024.

REASSEMBLY

1. Eight VPIs per 1,024 channels.
2. 1 K preallocation on VPI=0 only.
3. UNI VPI space.
4. 32 OAM PM channels active.
5. Free buffer queues configured for 256 entries.
6. No status queues in SAR local memory.
7. FBQ pools 0-15 have 4-word entries, and pools 16-31 have 2-word entries.

Table 9-2. Memory Size in Bytes

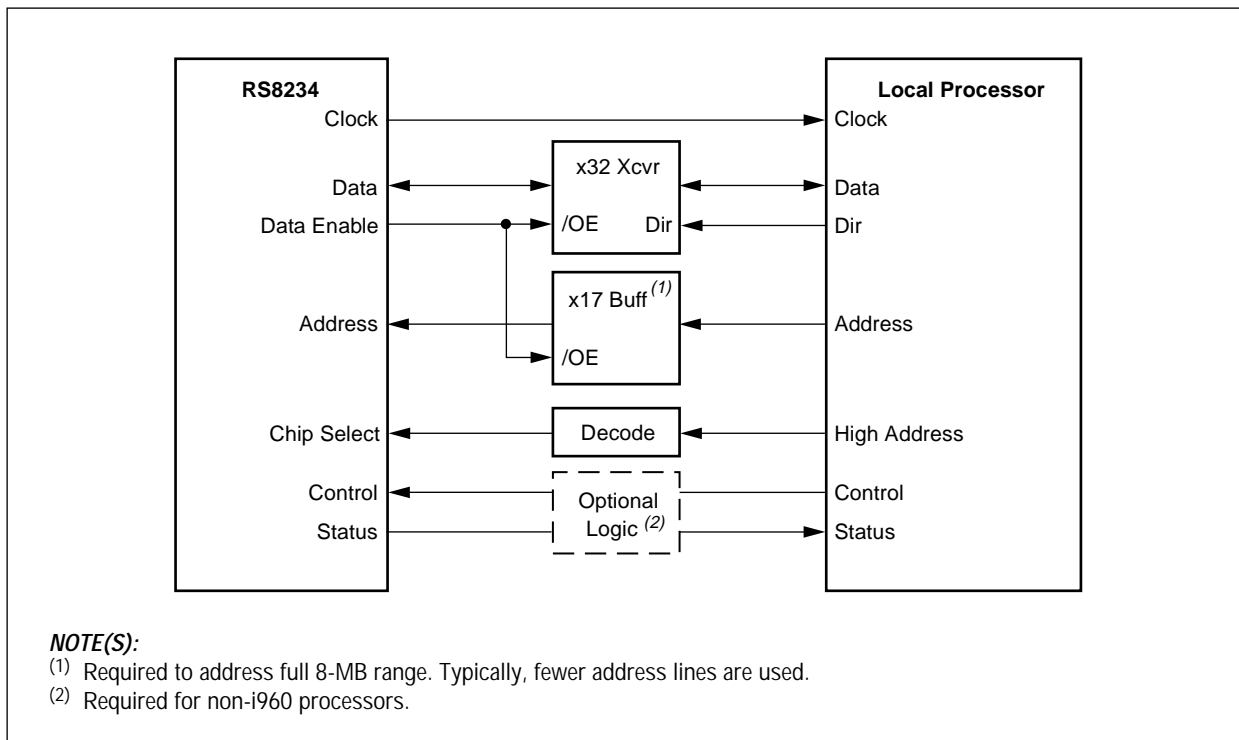
Data Structure	One Peer	16 Peers	32 Peers
SEG Schedule Table	16,896	16,896	16,896
SEG SEG_PM	1024	1024	1024
RS Queue	8,192	8,192	8,192
SEG Transmit Queues	1,024	16,384	32,768
SEG ER Tables	67,200	67,200	67,200
RSM Free Buffer Queues	4,096	65,536	98,304
RSM PM-OAM	512	512	512
RSM VPI Index Table	1,024	1,024	1,024
Total Fixed	99,200	176,000	225,152
SEG VCC Table	40,960	40,960	40,960
SEG Buffer Descriptors	20,480	20,480	20,480
RSM VCC Table	49,152	49,152	49,152
RSM VCI Index Table	92	92	92
Total Incremental	110,684	110,684	110,684
Grand Total	209,884	286,684	335,836

10.0 Local Processor Interface

10.1 Overview

The RS8234 integrated circuit can be used in conjunction with an external processor that performs initialization, link management, monitoring, and control functions. The local processor interface consists of a “loosely coupled” architecture where it interfaces to the RS8234 through bidirectional transceivers and buffers that are controlled by the local processor and the RS8234, as shown in Figure 10-1. This architecture allows the processor access to all of the RS8234 SAR shared memory and control registers, while insulating the RS8234 from processor instruction and data cache fills. This also allows the local processor the option to control multiple RS8234 and/or physical interface devices.

Figure 10-1. RS8234—Local Processor Interface



100074_070

The processor interface is a generic synchronous interface based on the Intel i960CA 32-bit architecture and is completely compatible with the i960CA/CF and the new i960Jx processors. Other synchronous and asynchronous processors (e.g., from Motorola, AMD, IDT) can be interfaced using external circuitry. The only requirement is that the processor have a 32-bit bus and that the control signals be synchronized to SYSCLK.

To access the RS8234 SAR shared memory or control registers, the processor must arbitrate with the RS8234 for access to the memory controller. Due to the requirements of reassembly and segmentation access to SRAM, and the implications of PCI bus utilization, the local processor has the lowest priority in the memory arbitration scheme. Since the local processor is typically used for low bandwidth supervision and maintenance functions, this should be acceptable.

When the local processor accesses the RS8234's control registers, internal SRAM or SAR shared memory, a local processor memory request is generated internal to the RS8234. The memory arbiter then coordinates this request with requests from other memory consumers, and grants the memory bus to the local processor at the appropriate time. The local processor is held off during this process by the insertion of a variable number of wait states, accomplished by the i960 withholding *READY** or *RDYRCV**. Once the local processor is granted the memory system, the transceivers are enabled to allow the local processor's address and data to access the SRAM or control registers. The conclusion of the data transaction is signaled by the assertion of *PRDY**. Wait states may be inserted by the processor at any time by asserting *PWAIT**. The last data cycle in a burst is indicated by the *PBLAST** signal. In this manner, non-i960 processor half-speed buses or slow transceivers can be accounted for.

The *LP_BWAIT* bit in the *CONFIG0* Register will automatically add a single wait state between the first access in a burst and subsequent accesses. This can be used to simplify the design of memory controllers for processors that do not produce a wait output and which require more time between data cycles in a burst.

10.2 Interface Pin Descriptions

The local processor bus interface consists of the control, address, and status signals described in [Table 10-1](#). Refer to [Table 2-1](#) and [Figure 10-7](#), i80960CA/CF interface description, for further information on these interface pins.

Table 10-1. Processor Interface Pins

Signal	Dir ⁽¹⁾	Description
PROCMODE	I	Processor interface mode select input—A logic low on this input enables the local processor mode of operation.
PCS*	I	Processor interface chip select—A logic low on this signal in conjunction with a logic low on PAS* at the rising edge of SYSCLK initiates a memory request to the memory controller.
PAS*	I	Processor address strobe— A logic low on this signal in conjunction with a logic low on PCS* latches the value of PWNR, PBSEL[1:0], PADDR[1:0], and PBE[3:0]* at the rising edge of SYSCLK.
PWNR	I	Processor write/read select—A logic one on this input indicates a write cycle, a logic zero indicates a read cycle. Latched at rising edge of SYSCLK when PAS* and PCS* are active.
PADDR[1:0]	I	Word select address inputs—Indicates the word address for a single cycle access, or the first word for a multi-cycle burst access. Latched at rising edge of SYSCLK when PAS* and PCS* are active.
PBSEL[1:0]	I	Bank select inputs—Decode to select MCS[3:0]*. Latched at rising edge of SYSCLK when PAS* and PCS* are active.
PBE[3:0]*	I	Byte select inputs—Active low. Allows individual bytes of selected word to be written. Not active on reads. Latched at rising edge of SYSCLK when PAS* and PCS* active. PBE[3]* controls writes to LDATA[31:24]; PBE[2]* controls LDATA[23:16]; etc.
PWAIT*	I	Processor wait input—Allows the processor to insert a variable number of wait states to extend memory transaction. Must be active on rising edge of SYSCLK with PRDY* active to insert wait cycle. Can be used to interface to half speed or slow processor bus or to allow the use of slow transceivers. If insertion of wait states is not required, set this input to a logic high. This signal can only be active, logic low, when PBLAST* is a logic high.
PBLAST*	I	Processor burst last input—Indicates the last word of a cycle. Must be active on rising edge of SYSCLK with PRDY* active to indicate last cycle. If burst accesses and wait cycles generated by PWAIT* are not required, this signal should be set to a logic low.
PRDY*	O	Processor interface ready signal—A logic low on this signal at rising edge of SYSCLK indicates that the present cycle has been completed. If a read cycle, the data is valid to latch by the processor; if a write cycle, the data has been written and can be removed from the bus. When PRDY* is active, wait states can be inserted with PWAIT*, or a single or burst cycle can be terminated by PBLAST* ⁽²⁾ .
PFAIL*	I	The local processor can indicate a failure of its internal self-test or initialization processes by asserting the PFAIL* input to the RS8234.
<p>(1) Direction given with respect to the RS8234. (2) This output corresponds to the READY* or RDYRCV* input in the i960 architecture. (3) The processor system is responsible for controlling the direction of the bidirectional data bus transceiver. In the i960 architecture, this can be controlled by the DT/R* signal.</p>		

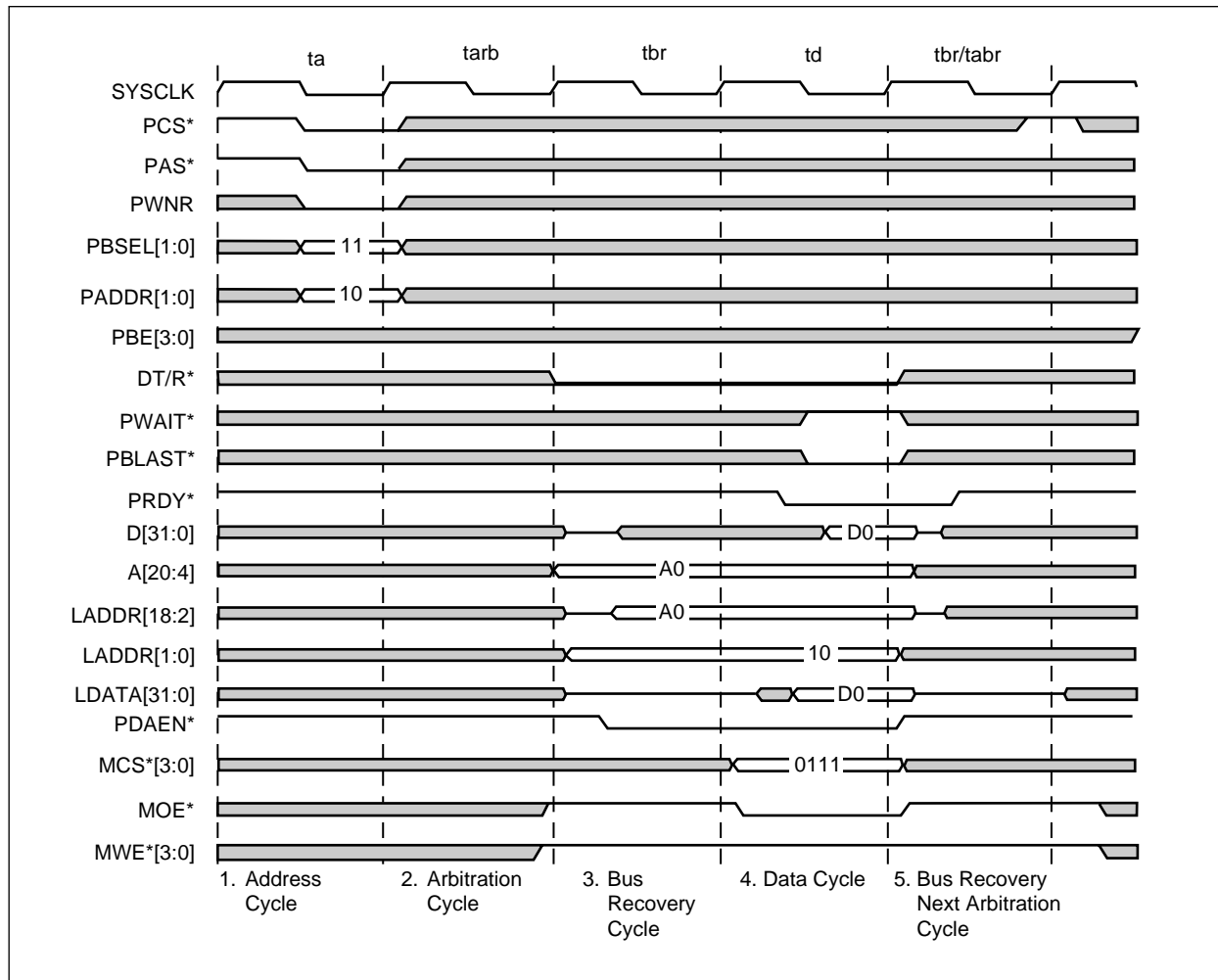
10.3 Bus Cycle Descriptions

Throughout the bus cycle descriptions, “cycle” refers to a single SYSCLK cycle ending with a rising edge. An arbitration cycle is one in which the memory requests from the local processor and internal memory consumers are compared, and the one with the highest priority is granted the memory access on the next cycle. A memory access that was previously arbitrated might occur on an arbitration cycle. Once the local processor has successfully acquired the memory controller, it holds the bus until it is relinquished by the assertion of PBLAST* on the last data cycle. Therefore, local processor burst transfers will always be completed, and can theoretically be of arbitrary length. However, in practice, burst transfers should be limited to four or less. The maximum arbitration delay for a local processor access is on the order of 20 cycles; however, it will typically be from one to four cycles. This parameter is heavily influenced by the SYSCLK frequency, line rate, number of VCCs, idle cell ratio, and SRAM access speed. Therefore, a system design in which local processor accesses must occur within a fixed time period is not recommended.

10.3.1 Single Read Cycle, Zero Wait State Example

Figure 10-2 illustrates a single read cycle with zero wait states. During the address cycle (cycle one) at the rising edge of SYSCLK with PCS* and PAS* active, a memory request is generated by the processor interface circuitry. Also at this time, the read/write select, bank select, and word select inputs (PWNR, PBSEL[1:0], and PADDR[1:0]) are internally latched. The byte enables (PBE[3:0]*) are Don't-Cares during reads. During cycle two, this local processor memory request is processed by the memory arbitration circuitry. If no other memory consumers request an access on the same cycle, the local processor is granted access on cycle three. However, to take into account bus transceiver turnaround, cycle three is always a wait or bus recovery state, which gives sufficient time for the address from the processor to access the SRAM. For zero wait state SRAM, unless a wait state is inserted by the processor, the data is available to be latched into the processor on cycle four, which is indicated by the assertion of PRDY*. Cycle five is an arbitration cycle for the internal memory consumers, which might have requested access during the processor access. It also serves as a bus recovery cycle for the processor. Once the PCS*, PAS*, PWNR, PBSEL[1:0], and PADDR[1:0] are sampled at cycle one, they are Don't-Cares for the remainder of the access. DT/R* is an output supplied by the local processor to indicate the direction of the data transceivers. The RS8234 PDAEN* signal is active to enable data and address.

Figure 10-2. Local Processor Single Read Cycle

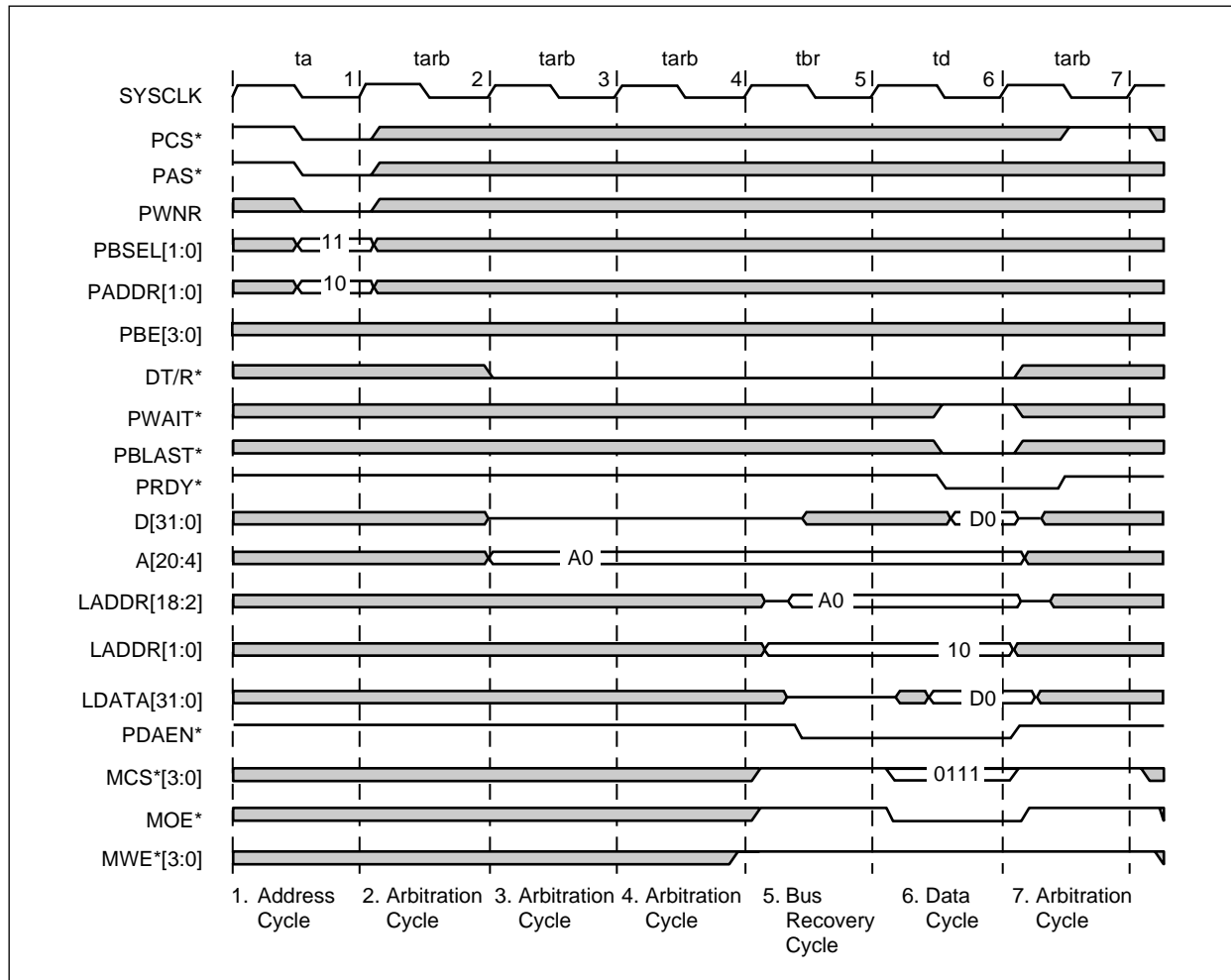


100074_071

10.3.2 Single Read Cycle, Wait States Inserted By Memory Arbitration

Figure 10-3 illustrates a local processor single read cycle with arbitration wait states. This example is similar to the preceding one, except that here the local processor is not able to access the RAM immediately because of higher priority memory requests on cycles two and three. On cycle four, the memory controller allows the local processor access to the address and data bus and the transaction takes place at the end of cycle six.

Figure 10-3. Local Processor Single Read Cycle with Arbitration Wait States

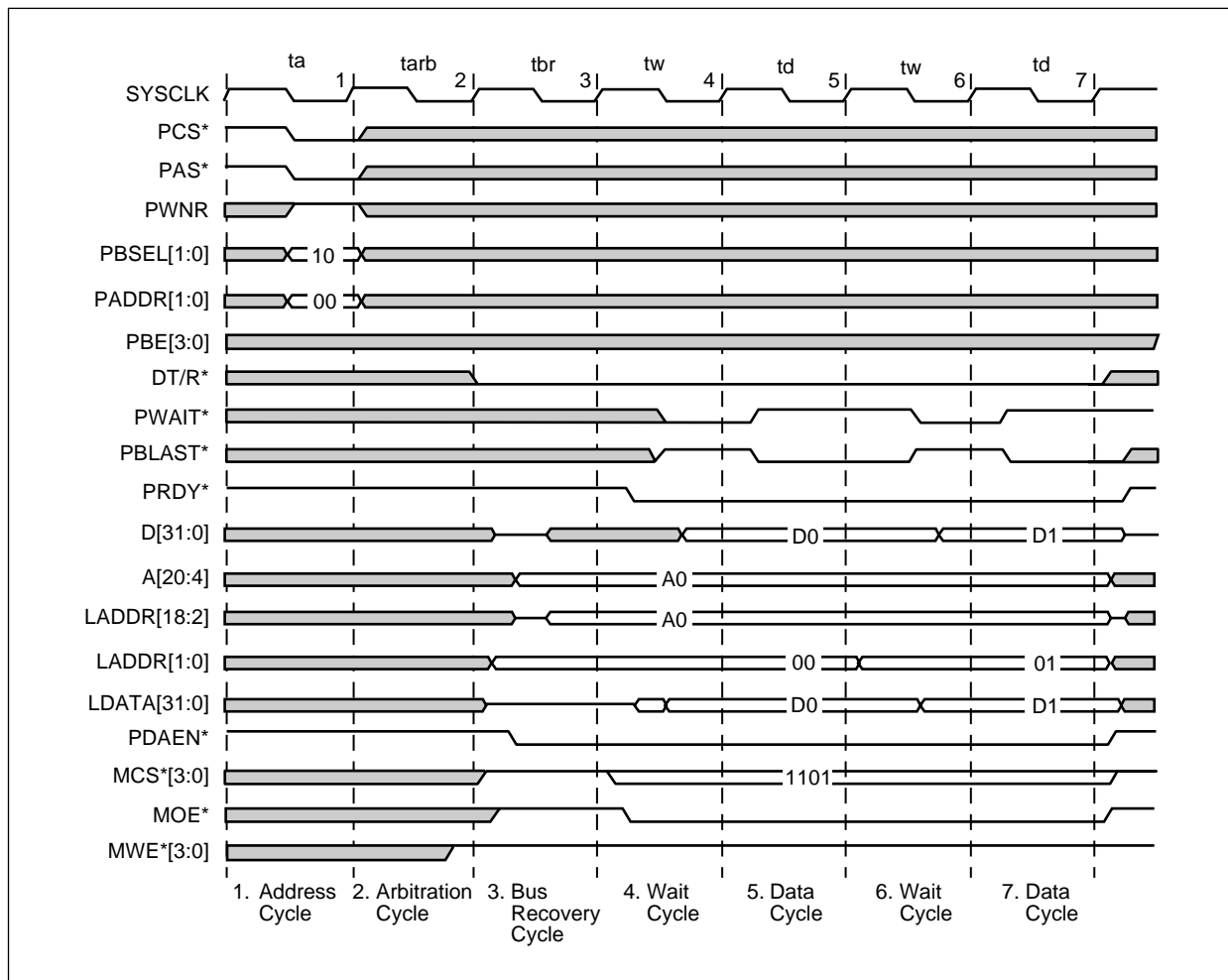


100074_072

10.3.3 Double Read Burst With Processor Wait States

In Figure 10-4 the processor inserts wait states on cycle four and cycle six, to allow additional time for the reads to occur. At the rising edge of SYSCLK on cycle four and cycle six, the combination of PWAIT* low and PRDY* low extends the read by one more cycle. The local processor word select inputs (PADDR[1:0]) are latched at cycle one. The RS8234 word select address lines, LADDR[1:0], are incremented automatically at the beginning of cycle six.

Figure 10-4. Local Processor Double Read with Wait States Inserted

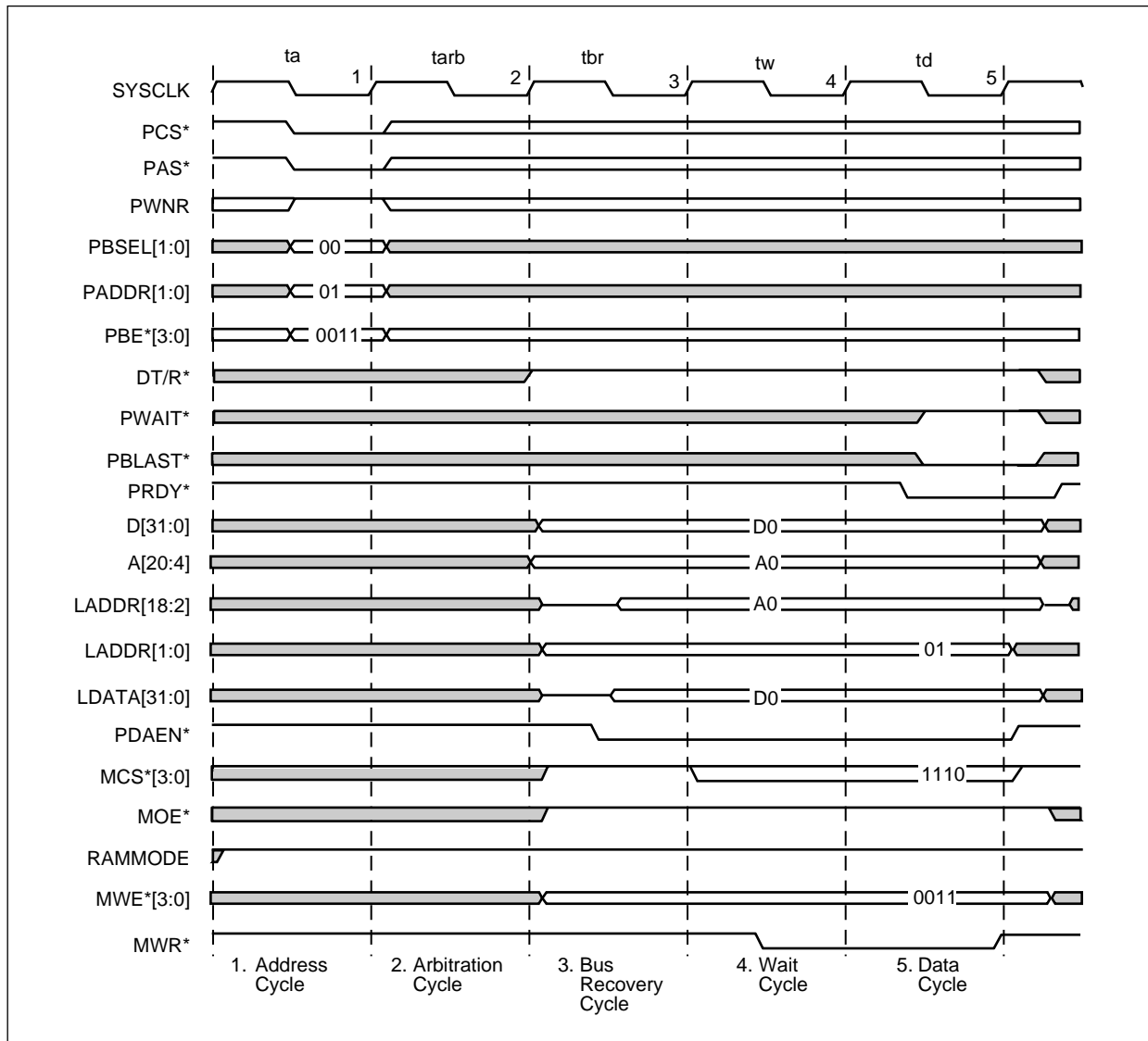


100074_073

10.3.4 Single Write With One-Wait-State Memory

In Figure 10-5, the local processor performs a single write into one-wait-state memory. There is no arbitration delay. RAMMODE is a logic high, indicating that by_16 RAM is used. Here the PBE[3:0]* inputs are latched at cycle one, and are used to select the byte enables that are active during the cycle when MWR* is active. In this case, the two most significant bits are active, indicating a 16-bit write to the two most significant bytes.

Figure 10-5. Local Processor Single Write with One Wait State by_16 SRAM

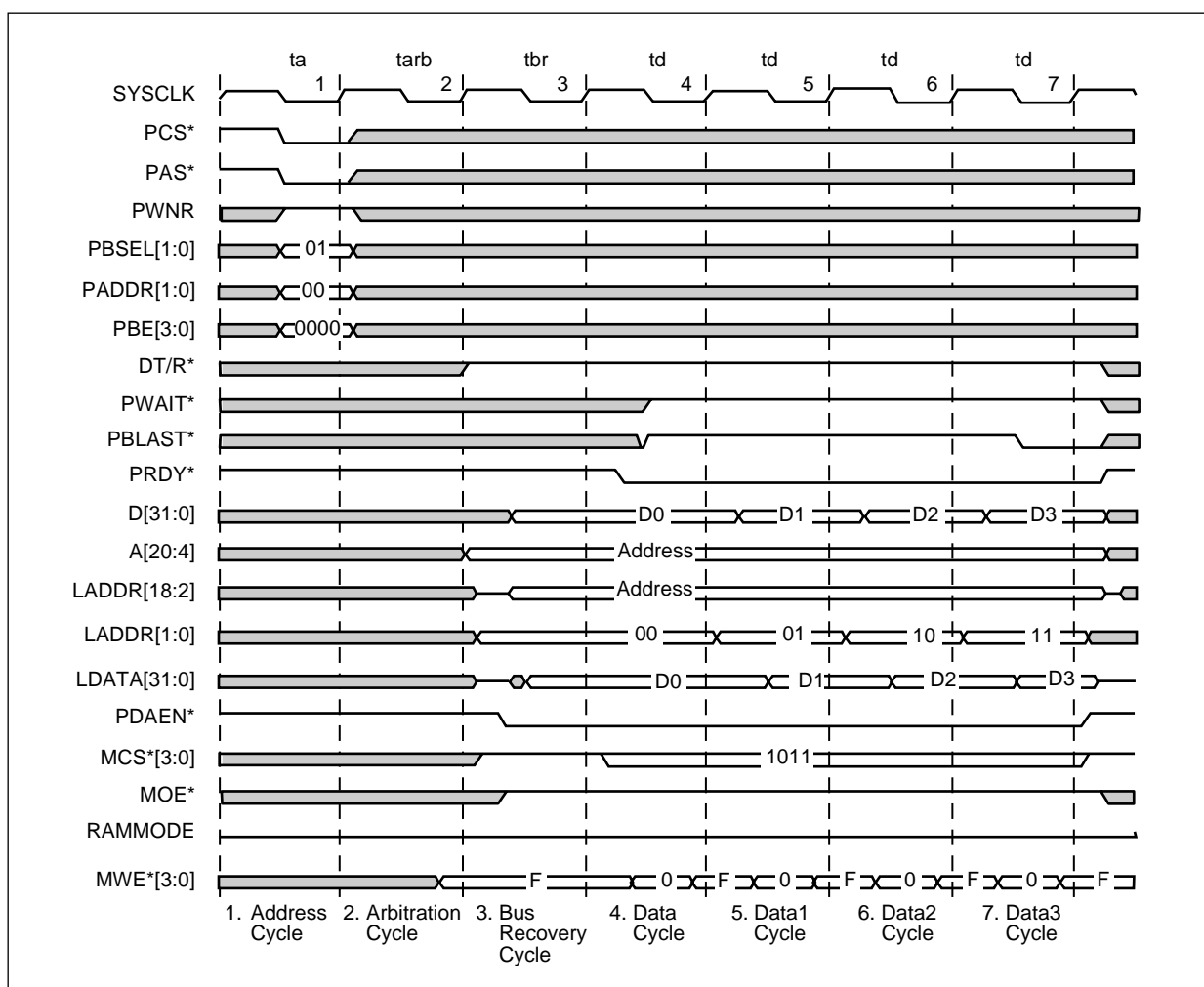


100074_074

10.3.5 Quad Write Burst, No Wait States

In Figure 10-6, a quad burst write access to zero-wait-state memory is shown. RAMMODE is logic low, selecting by_8 or by_4 RAM mode. Here PBE[3:0]* is latched on cycle one, indicating that the write is active on all bytes, and the MWE*[3:0] outputs are active as write strobes while MWR* is not used. The SAR shared memory word select addresses, LADDR[1:0], are incremented automatically by the RS8234 on each successive write cycle. Although the i960 architecture has the limitation that a quad word transfer must start on a quad word boundary, the RS8234 does not have that limitation. Thus, the PADDR[1:0] bits can be any value and are incremented as long as the burst transfer proceeds.

Figure 10-6. Local Processor Quad Write, No Wait States

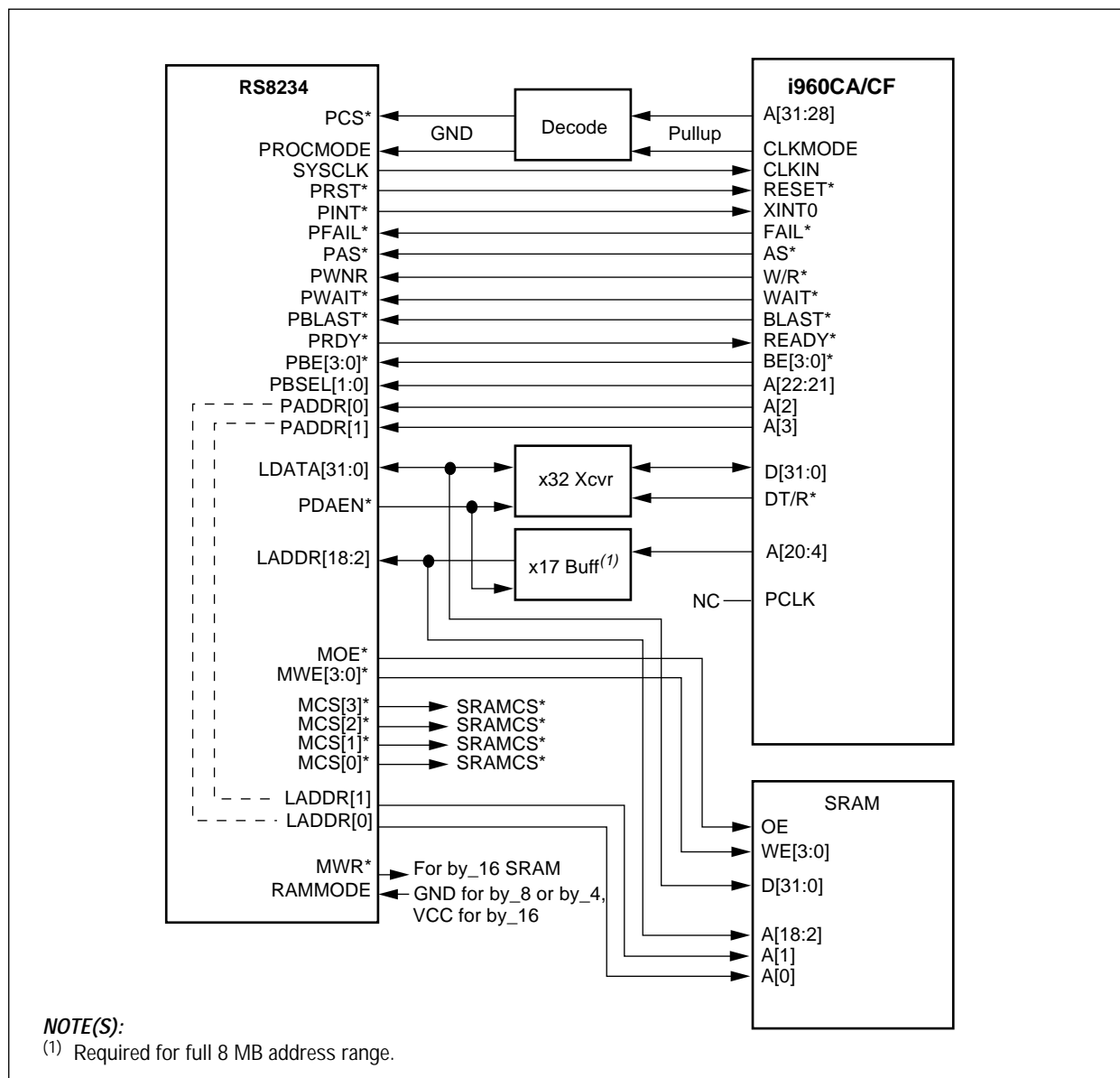


100074_075

10.4 Processor Interface Signals

Figure 10-7 illustrates the signal interface between the RS8234 device and the i960CA/CF processor. The memory region decoded for PCS* should be set for N_{RAD} and $N_{WAD} = 2$, N_{RDD} and $N_{WDD} = 0$ or 1 (depending on the use of zero or one wait state SRAM), and $N_{XDA} = 1$. In addition, external ready control must be enabled, and burst can be enabled or disabled at the system designer's option. Pulling up the i960 CLKMODE input to a logic one selects the divide-by-one clock mode, making i960 PCLK synchronous to SYSCLK.

Figure 10-7. i960CA/CF to the RS8234 Interface



100074_076

This configuration is for addressing the entire 8 MB of SRAM. In the majority of systems, the SRAM requirements will be considerably less. The implications of this are that the PBSEL[1:0] inputs can be driven by lower order address lines, and there will be less than 17 address lines to buffer. Therefore, in most applications, the data transceivers can utilize two x_16 parts, such as a 74ABT16245, and the address buffer can utilize a single x_16 74ABT16244.

NOTE: The i960CA/CF signals a failure of its internal self-test upon reset or power-up, by asserting its FAIL* output. This line is connected to the PFAIL* pin of the RS8234, and the status of this pin is reflected in the Host Interrupt Status Register [HOST_ISTAT0; 0xC0].

10.5 Local Processor Operating Mode

The major difference between the i80960Jx processor and the i80960CA is that the i80960Jx utilizes a multiplexed address/data bus structure, while the i80960CA/CF is non-multiplexed. However, in the RS8234 system, the demultiplexing of address/data takes place on the processor side of the address buffers and, therefore, does not affect the RS8234. Otherwise, the i80960Jx has the same bus control signals as the i80960CA/CF with the exception of the WAIT* signal, which the i80960Jx does not possess. The insertion of wait states, if required, must be accomplished by an external memory controller, which in any case, is required for a i80960Jx implementation.

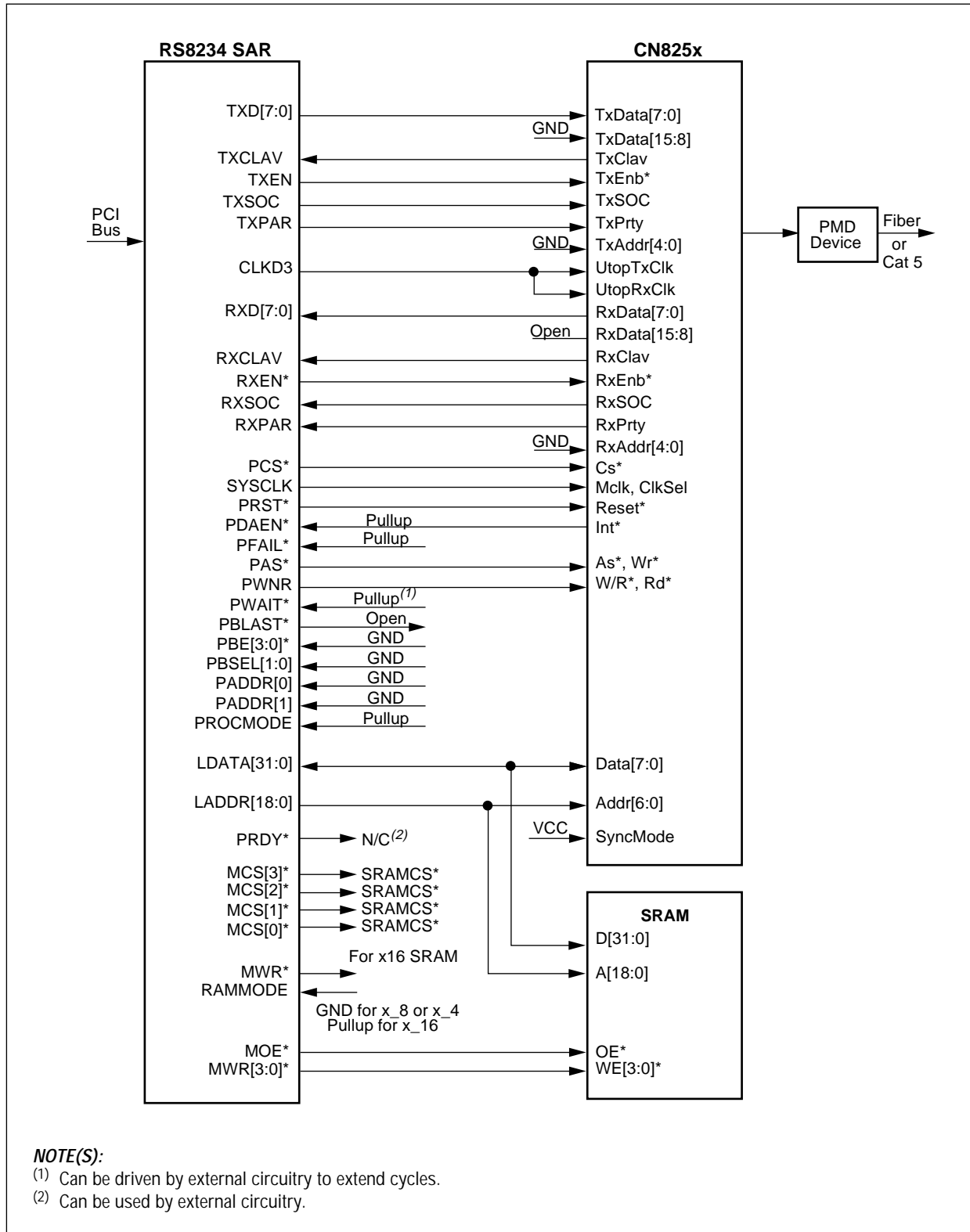
10.6 Standalone Operation

Standalone interface pins and descriptions are given in [Table 10-2](#). [Figure 10-8](#) shows the signal interface between the RS8234 and the RS825x ATM receiver/transmitter device with no local processor. The PCS*, PAS*, and PWNR pins are now outputs providing chip select, address strobe, and write/read control to the RS825x. PDAEN* is now an input connected to the interrupt sources of the RS825x. PBLAST* is a second chip select, which can be used to connect a future second Mindspeed PHY device. The PRDY* output is active and indicates the cycles in which the data transaction occurs. The PWAIT* input is active and can be used to prolong the cycle as shown in [Figure 10-9](#). Physical interface devices other than the RS825x can be connected by using PWAIT* to extend the read or write cycle, and by using external logic to translate the RS8234 control signals.

Table 10-2. Standalone Interface Pins

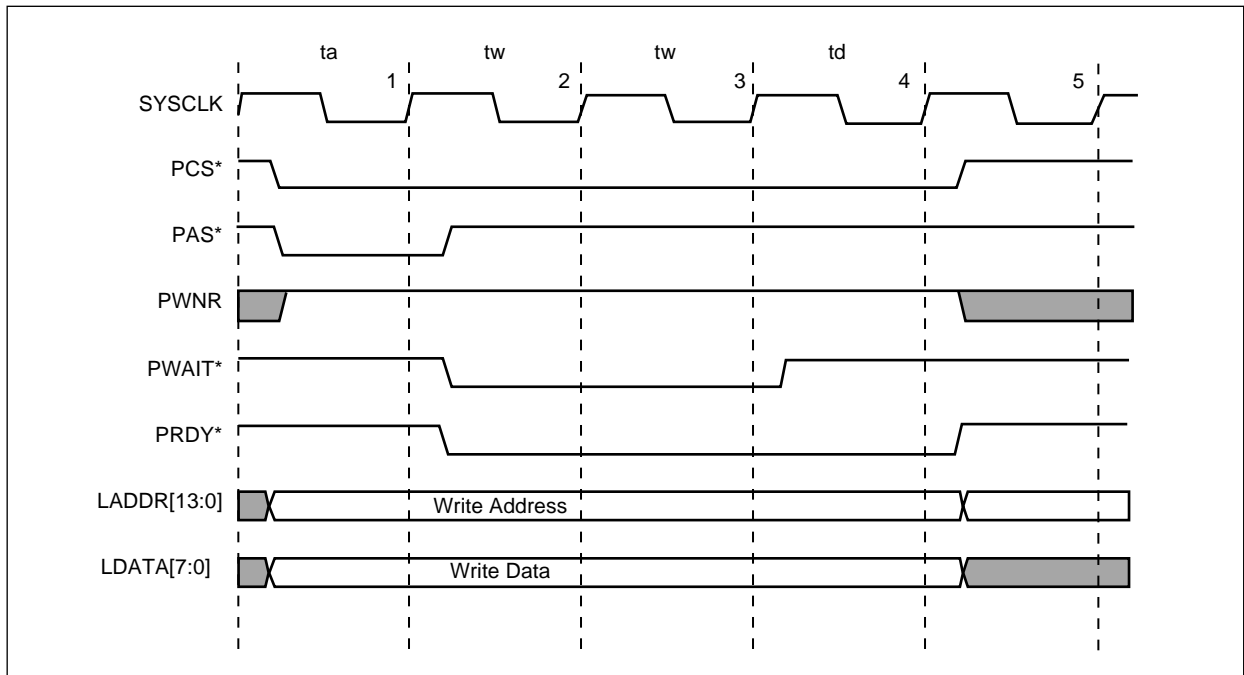
Signal	Dir ⁽¹⁾	Description
PROCMODE	I	Processor interface mode select input. A logic one enables standalone operation without a local processor.
PCS*	O	Chip select output for PHY device number one. Synchronous to SYSCLK.
PBLAST*	O	Chip select output for PHY device number two. Synchronous to SYSCLK.
PAS*	O	PHY address strobe. Synchronous to SYSCLK.
PWNR	O	PHY write/read select. A logic one on this output indicates a write cycle, a logic zero indicates a read cycle. Synchronous to SYSCLK.
PRDY*	O	PHY interface ready signal. A logic low on this signal at rising edge of SYSCLK indicates that the data cycle has been completed.
PWAIT*	I	PHY wait input. Allows external logic to insert wait states to extend data cycles. Only active when PRDY* is active.
PDAEN*	I	PHY interrupt input, active low, level sensitive ⁽²⁾ .
PADDR[1:0]	I	Not used, pull to logic zero.
PBSEL[1:0]	I	Not used, pull to logic zero.
PBE[3:0]*	I	Not used, pull to logic zero.
PFAIL*	I	Not used, pull to logic one.
NOTE(S): (1) Direction given with respect to the RS8234. (2) See the HOST_ISTAT0 Register for details.		

Figure 10-8. RS825x and SAR (RS8234) Interface (Standalone Operation)



100074_077

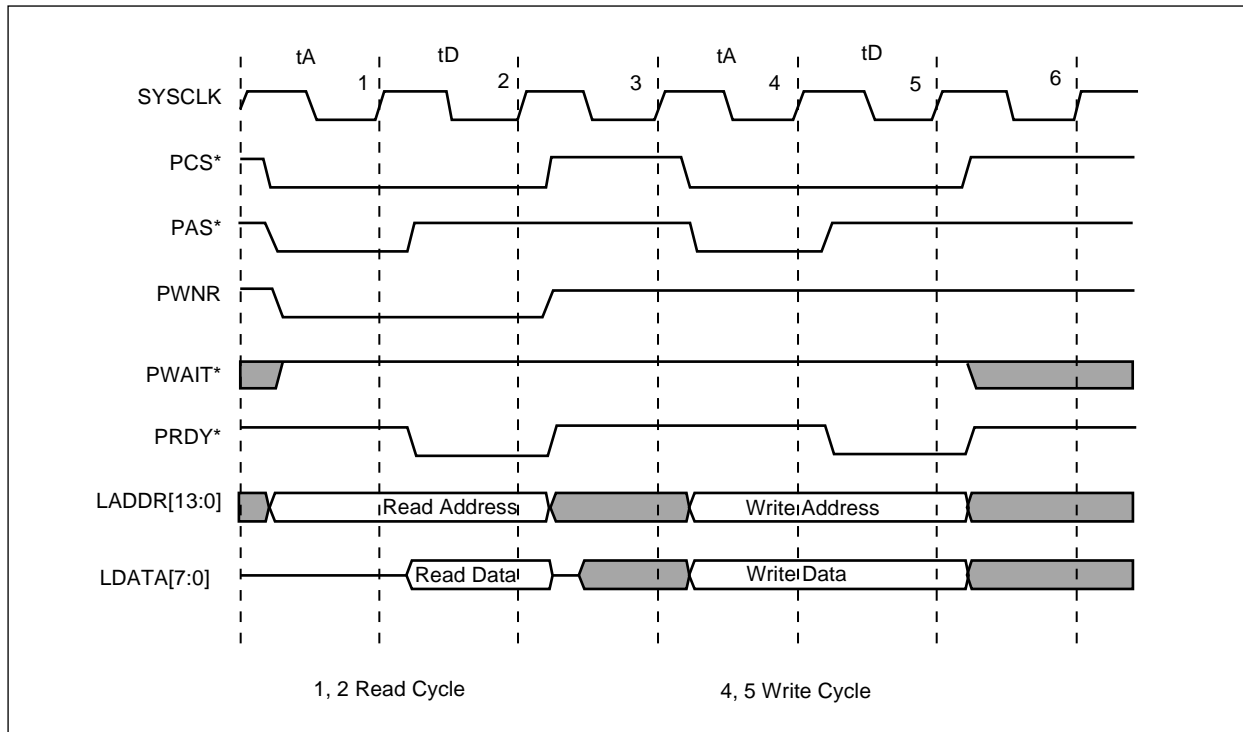
Figure 10-9. RS8234/PHY Functional Timing with Inserted Wait States



100074_078

Figure 10-10 shows a read and write RS825x access. At cycle one (the rising edge of SYSCLK) the RS825x samples PCS*, PAS*, and PWNR low, indicating a read cycle. By the next rising edge of SYSCLK at cycle two, the data is output by the RS825x to be latched by the RS8234. The same procedure occurs for a write except that at cycle four, PWNR is sampled high. The RS825x then latches the data to the appropriate internal register on the next SYSCLK rising edge at cycle five.

Figure 10-10. RS8234/RS825x Read/Write Functional Timing



10.7 System Clocking

The RS8234 derives all of its timing from a 2x clock input, CLK2X. This clock is internally divided by two to create the system clock, SYSCLK. This system clock is used internal to the device, and is output to the system to provide the clock to an external processor or PHY device. All processor interface signals are synchronous to SYSCLK.

In addition, CLKD3 (CLK2X asymmetrically divided by three, an output clock), is provided, and can be used as the clock for the UTOPIA ATM physical interface. The clock signal would be looped externally to RXCLK (aka FRCTRL). For example, if CLK2X is 66 MHz, then CLKD3 is 22 MHz, and is suitable for the UTOPIA interface. If CLK2X is 50 MHz, then SYSCLK is 25 MHz and is suitable for the UTOPIA interface.

The CLK2X frequency required for a given application is a function of the physical line rate, number of VCCs, active concurrent VCCs, and the SRAM cycle time.

10.8 Real-Time Clock Alarm

A real-time clock counter and alarm registers are built into the RS8234. This real-time clock consists simply of a 7-bit prescaler (configured via the DIVIDER field in the CONFIG0 Register) that accepts the SYSCLK input and outputs a constant (nominally 1 MHz) pulse train, and a 32-bit read/write counter (the Real-Time Clock Register [CLOCK;0x00]), that counts the number of pulses output by the prescaler since the system was initialized. When the prescaler is set to generate a 1 MHz pulse train, the CLOCK counter counts in 1 μ s intervals. An interrupt is generated when the CLOCK counter overflows, i.e., more than 2^{32} pulses have occurred since it was cleared to zero. If this happens, the CLOCK counter simply wraps around to zero and starts counting over. The control processor or host software is responsible for noting the overflow.

One simple real-time alarm is implemented in the RS8234. This is Alarm Register 1 [ALARM1;0x04], which is continuously compared to the Clock Register. When a match is detected, the corresponding interrupt is generated to the local or host processors. Either processor can then respond to this interrupt and reload a new value into the ALARM1 Register.

10.9 RS8234 Reset

The RS8234 must be reset by the host processor prior to system initialization for proper operation. This can be done in one of two ways: by asserting the external HRST* pin (which is normally connected to the system power-up reset circuitry), or by setting the GLOBAL_RESET bit in the Configuration Register 0 [CONFIG0;0x14]. The HRST* pin must be deasserted and GLOBAL_RESET must be cleared before beginning the RS8234 initialization process.

Asserting the HRST* input pin automatically causes the local processor reset pin to be driven active. The reset to the local processor will stay active until the LP_ENABLE bit in the CONFIG0 Register is set to a logic high. When using the GLOBAL_RESET bit, the processor must manually set or clear the appropriate bits in the CONFIG0 Register.

11.0 PCI Bus Interface

11.1 Overview

The PCI bus interface is compliant with PCI Local Bus Specification, Revision 2.1. With the exception of HRST* and HINT*, this interface is completely synchronous to the PCI bus clock (HCLK). All inputs are sampled at the rising edge of HCLK, and all outputs are driven by the RS8234 to be valid before the next rising edge of HCLK.

The maximum PCI bus clock rate supported by the RS8234 is 33 MHz. The PCI bus interface logic is clocked directly from the PCI bus clock, while the remainder of the RS8234 logic runs off separate clocks. Synchronizing registers and FIFOs are implemented in the PCI bus interface in order to transfer data between the PCI bus clock (HCLK) and the system (SYSCLK) clock domains.

The PCI bus drivers are shared between master and slave bus interface functional blocks. The PCI bus master logic (within the device) arbitrates via the PCI bus arbiter (external to the device) for access to the PCI bus; access to the PCI bus automatically implies access to the bus drivers, since no other master can be concurrently communicating with the slave logic. The bus master logic contends for the bus on a transaction by transaction basis.

The PCI bus interface responds to read and write requests by the host CPU, allowing access to chip resources by host software. The RS8234 is also capable of acting as DMA bus master on the PCI bus. As a result, the PCI bus interface implements the full set of address, data, and control signals required to drive the bus as master, and contains the logic required to support arbitration for the PCI bus. The DMA coprocessor and the PCI bus interface are closely linked and, hence, are shown as one unit.

The PCI bus interface functional blocks are as follows:

- I/O drivers and receivers that drive the pins connected to the PCI bus signals.
- PCI bus master logic that allows the bus interface to acquire mastership of the PCI bus and act as a transaction initiator. The bus master logic also contains a command decoder that interprets access commands generated by the DMA coprocessor, and a burst controller for controlling the duration of each read or write burst. In addition, the bus master logic contains address counters that allow it to restart and retry burst transfers if required by the transaction target.
- Burst FIFO buffers that store and transfer bursts of data words between the DMA coprocessor and the PCI bus master logic.
- PCI bus slave logic that responds to transactions initiated by other masters on the PCI bus with the RS8234 as a target. The bus slave logic also synchronizes data passed back and forth across the clock boundary between the PCI bus interface and the internal chip logic.
- Configuration registers holding initialization parameters and PCI bus status information.
- Logic that allows the host CPU to read/write the internal RS8234 registers via the PCI slave port.
- Logic to enable read/write access to the SAR shared memory space from the host CPU, again via the PCI slave port.
- An Interface module that allows the PCI core to connect to a serial EEPROM.

11.2 Unimplemented PCI Bus Interface Functions

The PCI bus interface on the RS8234 does not implement all the transaction types defined by the PCI bus specification; only those sections of the protocol that are necessary for slave and DMA memory accesses are implemented. In particular, the following transaction types are not implemented:

- 64-bit transfers, as well as the Dual Address Cycle command.
- Snooping and cache support. Memory Read Line, Memory Write and Invalidate commands are internally aliased to the Memory Read and Memory Write commands as per the PCI specification.
- Locked and exclusive accesses: the PCI LOCK* line is not driven by the RS8234, and the PCI slave interface does not handle locked accesses by other bus masters in any special manner.
- I/O accesses (the I/O Read and I/O Write commands).
- Interrupt acknowledge cycles, including the Interrupt Acknowledge command.
- The Special Cycle command and Special Cycle transactions.
- Burst transfers that do not have simple, sequentially incrementing addresses for consecutive data phases. The PCI master logic always performs sequentially incrementing burst transfers. The two LSBs of the PCI address lines (AD[1,0]) must be zero during the address phase of any transfer made to the PCI slave logic (indicating sequentially incrementing burst addresses). If AD[1,0] is not equal to zero, the slave logic will signal a type A or B target disconnect after the first data phase, forcing the external master to perform a single word transfer as per the PCI specification.

11.3 PCI Configuration Space

In accordance with the PCI bus specification Revision 2.1, the RS8234 PCI bus interface implements a 128-byte configuration register space. These configuration registers can be used by the host processor to initialize, control, and monitor the SAR bus interface logic. The complete definitions of these registers and the relevant fields within them is given in the PCI bus specification, and will not be repeated here. The descriptions and definitions of these register fields as implemented in the RS8234 is shown in [Chapter 13.0](#).

11.4 PCI Bus Master Logic

The PCI bus master logic block is responsible for accepting read and write commands from the DMA coprocessor (passed via the burst FIFO buffers), and in turn acquiring mastership of the PCI bus and generating transactions to perform the actual data transfers. The bus master logic contains the following:

- A command decoder that interprets commands issued from the DMA coprocessor.
- A burst controller that counts off read and write cycles in each burst on the PCI bus (and also latches and drives the address and command during the address phase of each transfer).
- Arbitration logic that acquires control of the PCI bus.
- Arbitration parking.
- A bus state machine that sequences and controls transfers.

It is possible for the addressed slave to request a disconnect or a retry during a read or a write transfer, using the defined PCI protocol sequence. In this case, the bus master logic will terminate the current burst, maintain its bus request, and restart the transfer at the point of termination. Disconnects and retries are not regarded as errors.

Five possible sources of error are present during any PCI bus master transaction. If any of the following five errors occur, the bus master logic will permanently terminate the transaction, flag an error, and cease to process any more commands.

1. Target Abort—The PCI transaction will terminate if the addressed target signals a target abort. In this case, the RTA and MERROR bits in the PCI Configuration Register space will be set and the PCI_BUS_STATUS[4] bit in the SYS_STAT Register will be set.
2. Master Abort—If the addressed target does not respond with an HDEVSEL* assertion, then a master abort is flagged. In this case, the RMA and MERROR bits in the PCI Configuration Register space will be set and the PCI_BUS_STATUS[3] bit in the SYS_STAT Register will be set.
3. Parity Error—If the data parity checked during read transfers is inconsistent with the state of the HPAR signal, then a parity error is signaled. In this case, the DPR and MERROR bits in the PCI Configuration Register space will be set and the PCI_BUS_STATUS[2] bit in the SYS_STAT Register will be set.

4. **Interface Disabled**—If the driver or application software on the PCI host CPU has disabled, the RS8234 PCI bus master logic (using the M_EN bit in the Command field of the PCI bus configuration registers), then any attempt to perform a DMA transaction to the PCI bus will result in an error. In this case, the MERROR and INTF_DIS bits in the PCI configuration space will be set and the PCI_BUS_STATUS[1] bit in the SYS_STAT Register will be set.
5. **Internal Failure**—Upon a synchronization error between the DMA coprocessor and the PCI master logic, an internal failure will be flagged. In this case, the MERROR and INT_FAIL bits in the PCI configuration space will be set and the PCI_BUS_STATUS[0] bit in the SYS_STAT Register will be set.

NOTE: The above errors permanently affect system level operation. Because of this the system should be re-initialized, since full system level recovery is unlikely. The bus protocol errors can be cleared either by a software reset of the associated status flag or flags, i.e., RTA, RMA, or DPR, or with a reset of the PCI bus master logic using the HRST* input pin. For example, a master abort error can be cleared by writing a logic one to the RMA status bit in the PCI Configuration Register space, causing the status bit to be cleared. Internal failures (attempting to initiate a master transaction with the interface disabled, or loss of synchronization with the DMA controller) can only be reset by applying the global reset, CONFIG0 (GLOBAL_RESET), or by asserting the HRST* signal.

Next, the MERROR bit must be cleared. The MERROR bit in the PCI Configuration Register drives the PCI_BUS_ERROR interrupt. To clear this interrupt, a logic high must be written to the MERROR bit location. The MERROR bit can also be cleared by a logic low on the HRST* input pin.

The local processor can clear the error bits by setting CONFIG0 (PCI_ERR_RESET) to a logic high. After the errors have been cleared, the SAR should be re-initialized.

Several fields are provided in the PCI configuration space to aid in recovering from a PCI master error. The PCI host software can determine that an error occurred by checking the MERROR bit. It can also determine if the transaction was a read or write by inspecting the MRD bit, and then retrieve the read or write address at which an error occurred by reading the MASTER_READ_ADDR or MASTER_WRITE_ADDR fields.

The PCI Read and PCI Read MULTIPLE commands issued by the PCI block are under the control of the PCI_READ_MULTI bit in the CONFIG0 register.

11.5 Burst FIFO Buffers

Two small FIFO buffers are implemented to support PCI burst-mode operation, to allow synchronization between the RS8234 internal logic and the PCI bus interface, and to carry commands from the DMA coprocessor to the PCI bus logic. The incoming FIFO is 512 x 32 bits, the outgoing FIFO is 16 x 36 bits.

11.6 PCI Bus Slave Logic

The PCI slave logic permits the host CPU on the PCI bus to access and modify RS8234 resources (the external SAR shared memory, internal memory, and internal registers). Because the control processor also has access to these resources, the PCI slave logic must arbitrate for access prior to performing any read or write transaction. The slave logic also contains the PCI configuration registers. These registers control the PCI slave and master interfaces, and can be read or written at any time by the PCI host. The slave logic implements the synchronizers required for rate-matching between the PCI bus clock and the internal RS8234 system clock. Also, small FIFOs are used to speed up burst reads (8x32) and writes (64x32) performed by the host processor to local resources, by buffering prefetched read data and absorbing latency during consecutive writes.

In general, the PCI slave interface functions as a normal memory-mapped PCI target, responding to Memory Read, Memory Write, Configuration Read, and Configuration Write commands from any initiator on the PCI bus. The slave interface will respond only to Memory Read and Memory Write commands if the MS_EN bit of the Command field in the PCI Configuration Register has been set.

The PCI slave logic does not implement special cycle commands, or respond to special cycles on the PCI bus. If a master performs a special cycle on the PCI bus, the following occurs:

- The slave logic never asserts HDEVSEL*.
- Parity errors during the address phase of the special cycle command will be reported to be asserting HSERR* in the normal fashion, if SE_EN and PE_EN in the command register are both set.
- Parity errors during the data phase are ignored.

11.7 Byte Swapping of Control Structures

Two control bits in the PCI configuration space are used to configure byte swapping, in order to align with various big and little endian host system requirements.

The SLAVE_SWAP control bit is bit 29 of address offset 0x40 in the PCI Configuration register. When SLAVE_SWAP is set to a logic high, the slave interface swaps the bytes of a slave write or read access. The default setting for this bit is logic low.

The MSTR_CTRL_SWAP control bit is bit 30 of address offset 0x40 in the PCI Configuration register. When MSTR_CTRL_SWAP is set to a logic high, the control structures that the SAR writes are written with bytes swapped. The default setting for this bit is logic low.

The HRST* pin made active will cause both of these bits to be logic low.

11.8 Power Management

Power Management, as a defined class of functions, consists of mechanisms in software and hardware to minimize system power consumption, manage system thermal limits, and maximize system battery life. The RS8234 supports Power Management on the PCI bus according to the PCI Bus Power Management Interface Specification, Revision 1.0.

Power management states are defined as varying, distinct levels of power savings. The RS8234 device supports the two mandatory power states, D0 and D3, of the PCI Bus Power Management Interface Specification. D0 is the maximum powered state (on) and D3 is the minimum powered state (off). When in the D3 state, SYSCLK is turned off.

Refer to [Section 13.7](#) for the detailed information on the PCI Configuration space and PCI registers concerned with implementing the Power Management functions.

Power Management is enabled by default. This capability can be disabled via bit 2 of the EEPROM (Disable Capability Register), which sets bit 20 of the PCI Status Register to a logic low. See the PCI Bus Power Management Interface Specification, Revision 1.0, for specific information on the functions involved in Power Management.

11.9 Interface Module to Serial EEPROM

The Interface Module implements the protocol to allow the PCI core to connect to a serial EEPROM.

11.9.1 EEPROM Format

The first 32 bytes of the 128-byte EEPROM are used to store PCI configuration information, loaded into the PCI Configuration space at reset. Unless otherwise specified, all unused bytes are reserved and should be programmed to 0x00. Bytes above address offset 0x20 can be used by application software or device drivers as needed. The EEPROM fields are described in [Table 11-1](#).

Table 11-1. EEPROM Fields

Address Offset	Name	Description
0x00	FIELD_ENABLES	Bit 5: Load Memory Size Mask from EEPROM. Bit 4: Load Latency Timer from EEPROM. Bit 3: Load General Enables from EEPROM. Bit 2: Disable Capability Registers (for Power Management). Bit 1: Load Subsystem ID (SID) from EEPROM. Bit 0: Load Subsystem Vendor ID (SVID) from EEPROM.
0x01-0x03	Reserved	Set to zeros.
0x04-0x05	SVID	Subsystem Vendor ID.
0x06-0x07	SID	Subsystem ID.
0x08	General Enables	Bit 4: Special Status Register Bit 29 (SLAVE_SWAP, Slave Control Byte Swap). Bit 3: Special Status Register Bit 30 (MSTR_CTRL_SWAP, Master Control Byte Swap). Bit 2: PCI Command Register Bit 6 (PE_EN, Enable Detection of Parity Errors). Bit 1: PCI Command Register Bit 2 (M_EN, Master Enable). ⁽¹⁾ Bit 0: PCI Command Register Bit 1 (MS_EN, Memory Space Enable). ⁽¹⁾
0x09	Latency Timer	Master Latency Timer
0x0a	Memory Size Mask	Valid Mask Values: Bit 7 6 5 4 3 2 1 0 = Size x 0 0 0 0 0 0 0 = 8 M
<p>NOTE(S): ⁽¹⁾ System BIOS is typically responsible for setting these bits after programming the PCI Base address register.</p>		

11.9.2 Loading the EEPROM Data at Reset

At reset, the PCI Configuration block first reads byte 0x00 of the EEPROM to determine which fields of the EEPROM should be read. It first looks at the FIELD_ENABLES bits. If bit 2 is set, it sets bit 20 in the PCI Status Register to zero, to disable Power Management capabilities. It then looks at bits 1 and 0 to see if the corresponding SVID and/or SID fields are to be loaded into the corresponding PCI Configuration register fields. If either of these is set to zero, the SUBSYSTEM_ID and/or SUBSYSTEM_VENDOR_ID fields will default to all zeros.

11.9.3 Accessing the EEPROM

The EEPROM is accessed through the PCI Configuration space at offset 0x4C, the EEPROM Register. See [Chapter 13.0](#) for a description of the EEPROM Register's contents.

Before starting an EEPROM operation, the BUSY bit must be a logic zero (not busy). When in this state, the EEPROM can be either written to or read from. After initiating a read or write operation, the BUSY bit will be a logic one (busy) until the transfer completes. During this time, the application software must poll the BUSY bit to determine when the transfer has completed. Once completed, the NO_ACK bit will indicate the status of the operation. A logic one (no acknowledge) indicates that no device responded to the request.

To initiate a write operation, the application software must write the BYTE_ADDR and DATA fields and set the READ_WRITE bit to zero. The module will then transfer the data in bits 7:0 (the DATA field) to the device on the bus at the hardware address at the BYTE_ADDR specified. Application software should then poll the register until the BUSY bit is read as zero (not busy), which indicates that the transfer has completed. Software must then check the NO_ACK bit to ensure that the transaction completed normally. If not, the software should retry the transaction or signal the error to the user. Since the EEPROM might not respond until after a few milliseconds after a write transaction, it is recommended that all operations resulting in NO_ACK=1 be retried several times before issuing the failure.

For read operations, the application software must also write to the EEPROM Register, specifying the BYTE_ADDR to be read and setting the READ_WRITE bit to one. The software must then poll the BUSY bit until the operation completes. At this point the data is returned in the DATA field of the EEPROM register. The software should check the NO_ACK bit to ensure proper completion of the transfer with no error.

Explanation of series EEPROM clock:

$$SCL = (PCI/84)/4 = 98.2 \text{ KHz} (@PCI = 33\text{MHz})$$

11.9.4 Using the Subsystem ID Without an EEPROM

For applications that can utilize BIOS or boot code to initialize devices before loading high-level operating system software, the RS8234 allows for the programming of the PCI Configuration space fields, SUBSYSTEM_ID and SUBSYSTEM_VENDOR_ID. This feature allows a user to employ the RS8234 without an EEPROM, but still allowing for unique Subsystem IDs.

To program the SUBSYSTEM_ID and SUBSYSTEM_VENDOR_ID fields, BIOS must first write a logic one to bit 31 of the PCI Special Status Register. This enables the writing to these two fields in the PCI Configuration space. BIOS can then update the IDs by writing the desired values to the PCI Configuration space at offset 0x2C. Once the values are written, BIOS should then disable the writing to these fields by setting bit 31 of the PCI Special Status Register to logic zero. When bit 31 is set to zero, writes to these two fields are ignored.

11.10 PCI Host Address Map

The address map of the RS8234 resources seen by the PCI bus is the same as that seen by the host processor. The base address of the RS8234 resource mapping is defined in the BASE_ADDRESS_REGISTER_0 field, located in the PCI configuration space.

Burst reads of the Control and Status registers will only return valid data for the first address. Subsequent data words read during a burst read will be indeterminate.

12.0 ATM Utopia Interface

12.1 Overview of ATM UTOPIA Interface

The ATM UTOPIA interface contains receive and transmit framer interface logic and receive error generation logic. The ATM UTOPIA interface block also interfaces with the segmentation and reassembly coprocessors.

The ATM UTOPIA interface for the RS8234 accepts 52 octet cells from the segmentation coprocessor and transmits them to the PHY device while inserting a dummy HEC. The interface also receives 53 octet cells from the PHY device, removes the HEC, and saves them in a FIFO to be used by the reassembly coprocessor.

The ATM UTOPIA interface is responsible for communicating with and controlling the ATM link interface chip, which carries out all the transmission convergence and physical media dependent functions defined by the ATM protocol. The block performs the following functions:

- Receives and transmits ATM UTOPIA interface logic. The ATM UTOPIA interface accommodates the Mindspeed RS825x framer device, a UTOPIA-compatible framer or a Mindspeed-conceived slave UTOPIA interface, and is responsible for converting between these devices and the internal data interfaces. The Slave UTOPIA interface connects the RS8234 to a cell-switched backplane.
- Receives cell synchronization logic, which validates cell boundaries in the incoming byte stream, strips off the HEC byte from the ATM header, and formats the remaining 52 bytes into thirteen 32-bit words before passing them to the incoming cell FIFO. The receive cell synchronization logic ensures that only complete cells are passed down to the remainder of the reassembly controller.
- Transmits cell synchronization logic, which converts the 32-bit data read from the transmit cell FIFO buffer into an 8-bit (plus parity) stream, generates appropriate cell delineation pulses for use by the transmit ATM UTOPIA interface, and inserts the blank HEC byte into the ATM header of each cell prior to transferring it to the UTOPIA interface.
- Generates and checks odd parity on the octet transmit and receive data buses.

12.2 ATM UTOPIA Interface Logic

The RS8234 ATM UTOPIA interface logic consists of the I/O drivers required to communicate with the external framer device, together with adaptation logic required to convert between either the UTOPIA or slave UTOPIA interface protocol, and the internal byte streams. Configuration pins (FRCFG[1:0]) determine whether the UTOPIA or slave UTOPIA protocol will be used.

12.3 ATM Physical I/O Pins

The operational mode desired is indicated to the RS8234 by appropriately driving the FRCFG[1:0] input according to [Table 12-1](#).

Table 12-1. ATM Physical Interface Mode Select

FRCFG[1:0]	ATM Physical Interface Mode
0 0	Reserved - Do Not Use
0 1	UTOPIA
1 0	Slave UTOPIA
1 1	Reserved - Do Not Use

The interpretation of the ATM physical interface pins on the RS8234, and the actual signals generated or received by the framer in UTOPIA mode are shown in [Table 12-2](#). Both the TxClk and RxClk signals of the UTOPIA interface can be derived from the CLKD3 output of the RS8234, which must also be connected to the FRCTRL input. The symbol * indicates active low. The interpretation of the

Table 12-2. UTOPIA Mode Signals

RS8234 Signal	PHY Signal	Active Polarity	RS8234 Direction
TXD[7:0]	TxDat[7:0]	—	Out
TXPAR	TxPrty	—	Out
TxSOC (aka TXMARK)	TxSOC	High	Out
TXEN*	TxEnb*	Low	Out
TXCLAV(aka TXFLAG)*	TxFull*	Low	In
RXD[7:0]	RxDat[7:0]	—	In
RXPAR	RxPrty	—	In
RXSOC (aka RXMARK)	RxSOC	High	In
RXEN*	RxEnb*	Low	Out
RXCLAV(aka RXFLAG)*	RxEmpty*	Low	In
RXCLK (aka FRCTRL)	RxCik/TxCik	Rising Edge	In

ATM physical interface pins on the RS8234 and the actual signals generated or received by the framer in slave UTOPIA mode is shown in [Table 12-3](#). The symbol * indicates active low.

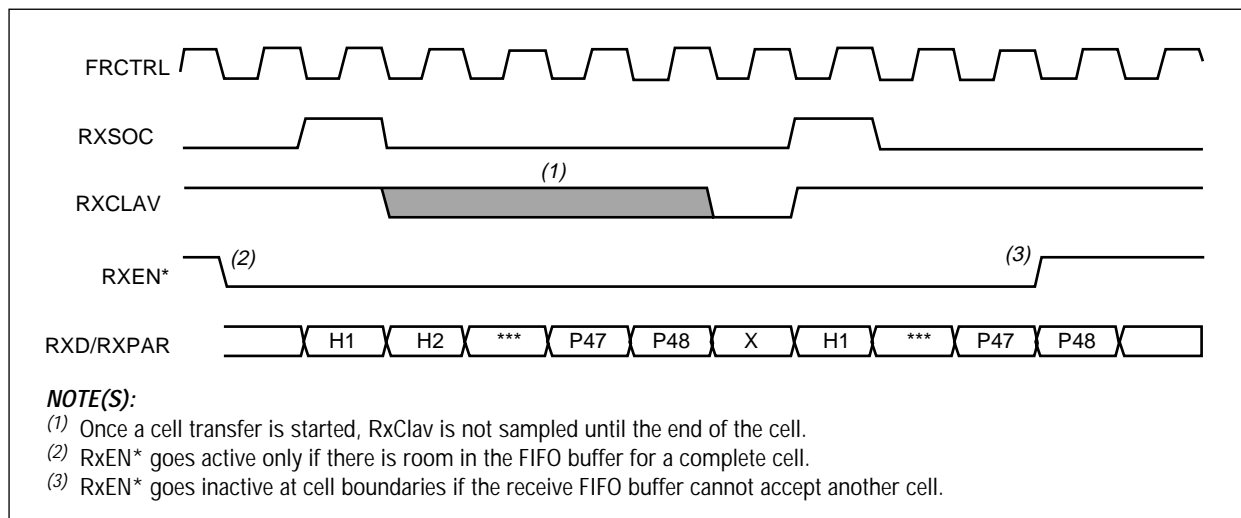
Table 12-3. Slave UTOPIA Mode Interface Signals

RS8234 Signal	PHY Signal	Active Polarity	RS8234 Direction
TXD[7:0]	TxDat[7:0]	—	Out
TXPAR	TxPrty	—	Out
TxSOC (aka TXMARK)	TxSOC	High	Out
TXEN*	TxEnb*	Low	In
TXCLAV(aka TXFLAG)*	TxEmp*	Low	Out
RXD[7:0]	RxDat[7:0]	—	In
RXPAR	RxPrty	—	In
RXSOC (aka RXMARK)	RxSOC	High	In
RXEN*	RxEnb*	Low	In
RXCLAV(aka RXFLAG)*	RxFull*	Low	Out
RXCLK (aka FRCTRL)	RxCik/TxCik	Rising Edge	In

12.4 UTOPIA Mode Cell Handshake Timing

If high, the UTOPIA_MODE bit in the CONFIG0 Register selects cell-level handshaking. Received data is latched from the RXD[7:0] and RXPAR lines on the rising edge of FRCTRL, after RXEN* is sampled active (see Figure 12-3). The 8-bit odd parity computed over the RXD[7:0] lines is compared to the RXPAR input. If in error, the FR_PAR_ERR bit is set in the HOST_ISTAT0/LP_ISTAT0 registers. No data is discarded upon a parity error unless the RSM_PHALT bit in the RSM_CTRL Register is set to a logic high. If so, the reassembly coprocessor halts upon a parity error. The RXSOC signals to the RS8234 the start of cell. The RXCLAV input is the physical layer FIFO empty signal. When it is active, a complete cell is not present in the physical receive FIFO. The physical layer device sets RXCLAV inactive when it has a complete cell to transfer. The RS8234 sets RXEN* to a logic low if it can accept a complete cell. On the clock cycle after the last octet of a cell is transferred, the RS8234 samples the RXCLAV input. If low, the physical device does not have a cell to transfer. If RXCLAV is high, the physical device has another cell to transfer and the RS8234 will immediately start receiving the next cell if it can accept a complete cell. The FR_RMODE bit in the CONFIG0 Register should be set to a logic low in this mode.

Figure 12-1. Receive Timing in UTOPIA Mode with Cell Handshake

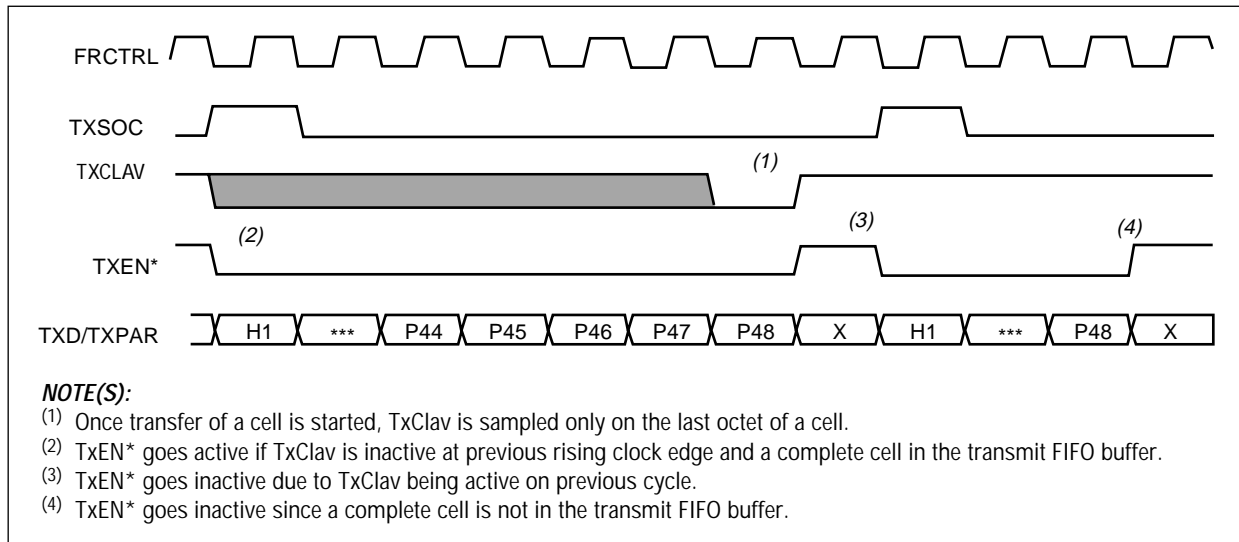


100074_080

Transmit data is driven on TXD[7:0] on the rising edge of FRCTRL when TXEN* is asserted. TXEN* is only asserted when there is data in the RS8234 transmit FIFO. Simultaneously, the 8-bit odd parity computed over the TXD[7:0] lines is driven on to the TXPAR output. The TXSOC line is driven by the framer device to indicate start of cell. If the TXCLAV input is asserted by the framer device, the framer device is full and another cell is not transmitted to the physical framer. (See Figure 12-2.)

In UTOPIA mode, the FRCTRL input can be connected to the RS8234 CLKD3 output; a 50% duty cycle clock derived by dividing CLK2X by three.

Figure 12-2. Transmit Timing in UTOPIA Mode with Cell Handshake



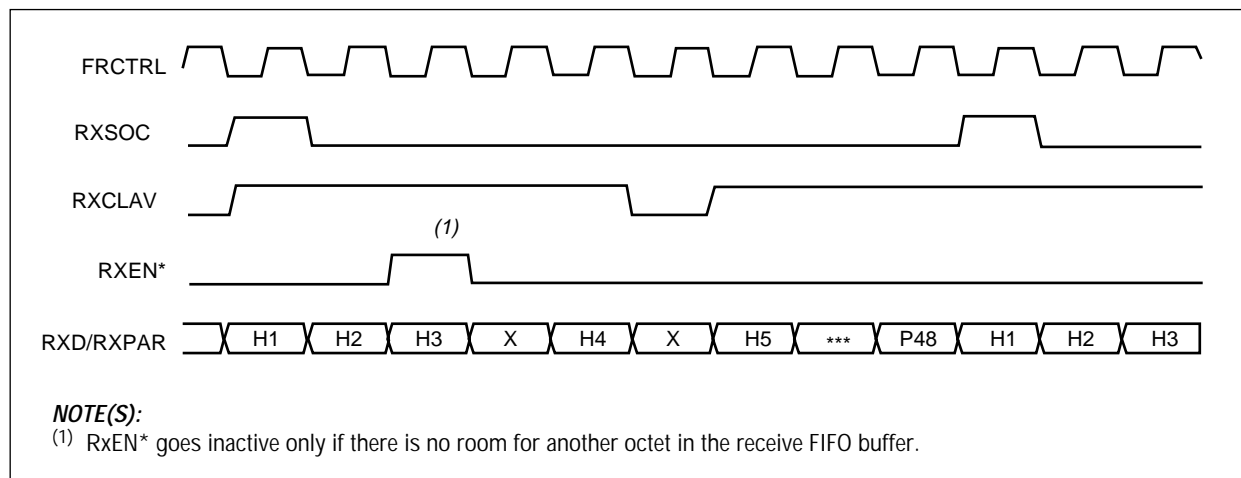
100074_081

12.5 UTOPIA Mode Octet Handshake Timing

If low, the UTOPIA_MODE bit in the CONFIG0 Register selects octet-level handshaking. Received data is latched from the RXD[7:0] and RXPAR lines on the rising edge of FRCTRL after RXEN* is sampled active (see Figure 12-3). The 8-bit odd parity computed over the RXD[7:0] lines is compared to the RXPAR input. If in error, FR_PAR_ERR in the HOST_ISTAT0/LP_ISTAT0 registers is set. No data is discarded upon a parity error unless the RSM_PHALT bit in the RSM_CTRL Register is set to a logic high. If so, the reassembly coprocessor halts upon a parity error.

The RXSOC signals the start of cell to the RS8234. The RXCLAV input is the physical layer FIFO empty signal. When it is active, no data is present in the physical receive FIFO. The physical layer device sets RXCLAV inactive when it has an octet to transfer. The RS8234 sets RXEN* to a logic low if it can accept an octet in the next clock cycle. The FR_RMODE bit in the CONFIG0 Register should be set to a logic low in this mode.

Figure 12-3. Receive Timing in UTOPIA Mode with Octet Handshake

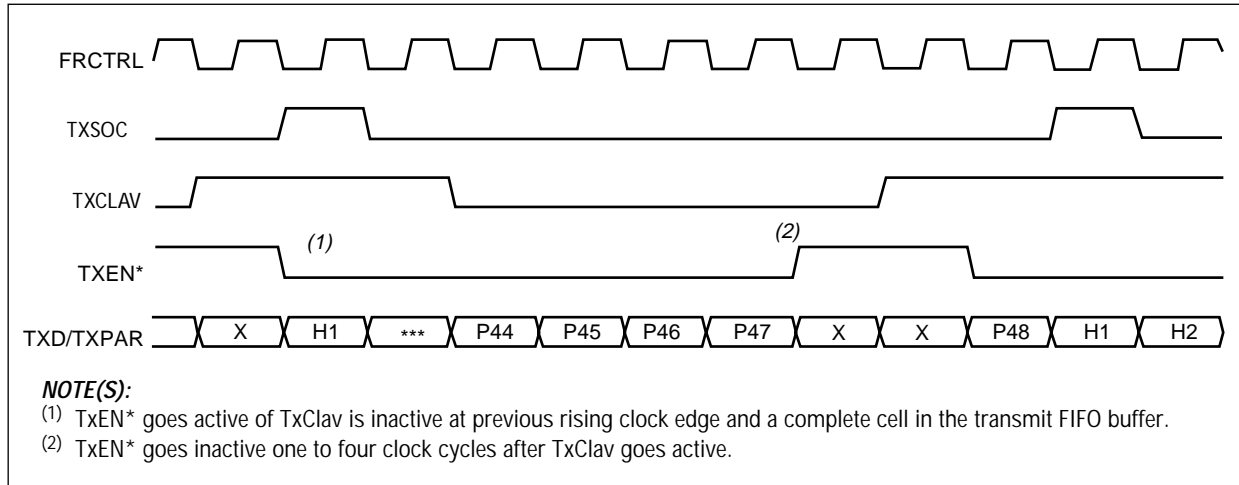


100074_082

Transmit data is driven on TXD[7:0] on the rising edge of FRCTRL when TXEN* is asserted. TXEN* is only asserted when there is data in the RS8234 transmit FIFO. Simultaneously, the 8-bit odd parity computed over the TXD[7:0] lines is driven on to the TXPAR output. The TXSOC line is driven by the framer device to indicate start of cell. If the TXCLAV input is asserted by the framer device, the framer device is full and can accept only one to four more octets. (See Figure 12-2.)

In UTOPIA mode, the FRCTRL input may be connected to the RS8234 CLKD3 output, which is a 50% duty cycle clock derived by dividing the CLK2X input by three.

Figure 12-4. Transmit Timing in UTOPIA Mode with Octet Handshake



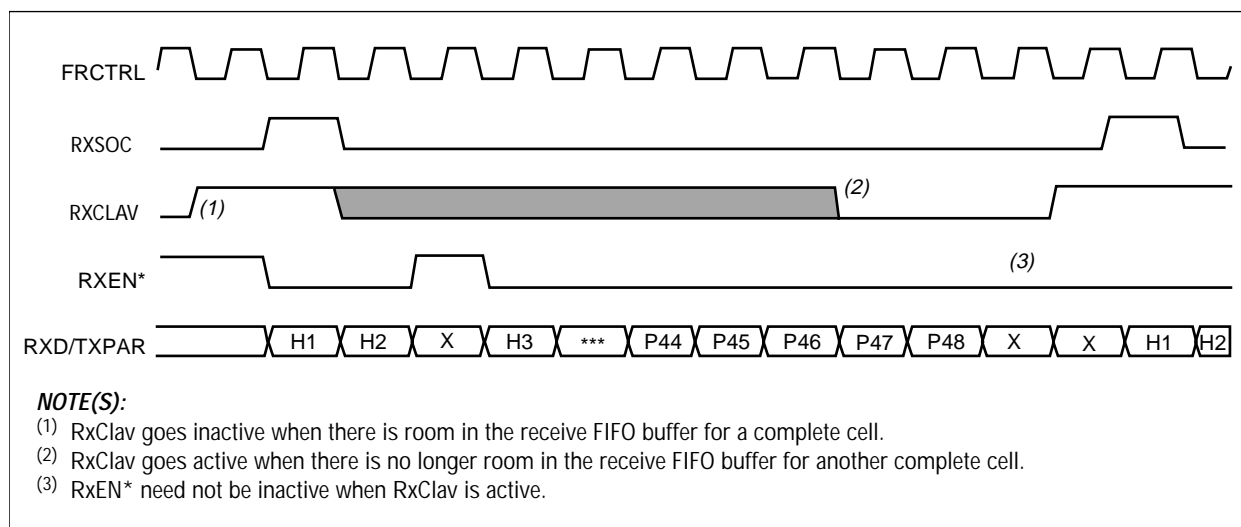
100074_083

12.6 Slave UTOPIA Mode

The slave UTOPIA mode is similar to the UTOPIA mode, except the direction of the enable signals and FIFO flags are reversed. This allows a switch fabric or backplane to directly control the physical port. The transmit and receive enable signals are generated by the physical layer instead of the RS8234. The TxFull* signal is changed to the TxEmpty* signal and is an output of the RS8234. The RxEmpty* signal is changed to the RxFull* signal, and is also an output of the RS8234. This mode supports only a cell-level handshake protocol.

Received data is latched from the RXD[7:0] and RXPAR lines on the rising edge of FRCTRL when RXEN* is active (see Figure 12-5). The 8-bit odd parity computed over the RXD[7:0] lines is compared to the RXPAR input. If there is a parity error, the FR_PAR_ERR bit is set in the HOST_ISTAT0/LP_ISTAT0 registers. No data is discarded upon a parity error unless the RSM_PHALT bit in the RSM_CTRL Register is set to a logic high. If so, the reassembly coprocessor halts upon a parity error. The RXSOC signals to the RS8234 the start of cell. The RXCLAV output is the receive FIFO full signal. When it is active, the RS8234 cannot accept another cell. The RS8234 sets RXCLAV inactive when it has room in the receive FIFO for another cell. The physical device sets RXEN* to a logic low if it can transfer an octet. The FR_RMODE bit in the CONFIG0 Register should be set to a logic low in this mode.

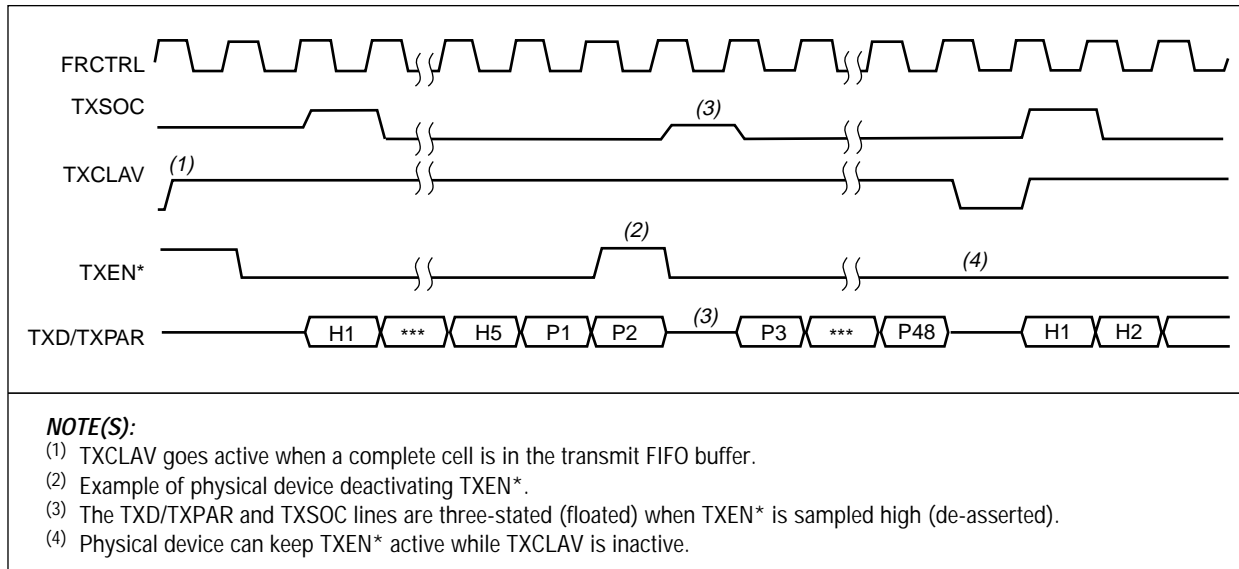
Figure 12-5. Receive Timing in Slave UTOPIA Mode



100074_084

Transmit data is driven on TXD[7:0] on the rising edge of FRCTRL after TXEN* is sampled asserted. Simultaneously, the 8-bit odd parity computed over the TXD[7:0] lines is driven on to the TXPAR output. The TXSOC line is driven by the SAR to indicate start of cell. If the TXCLAV output is asserted by the RS8234, the transmit FIFO does not contain a complete cell. (See [Figure 12-2.](#))

Figure 12-6. Transmit Timing in Slave UTOPIA Mode



8234_006

12.7 Loopback Mode

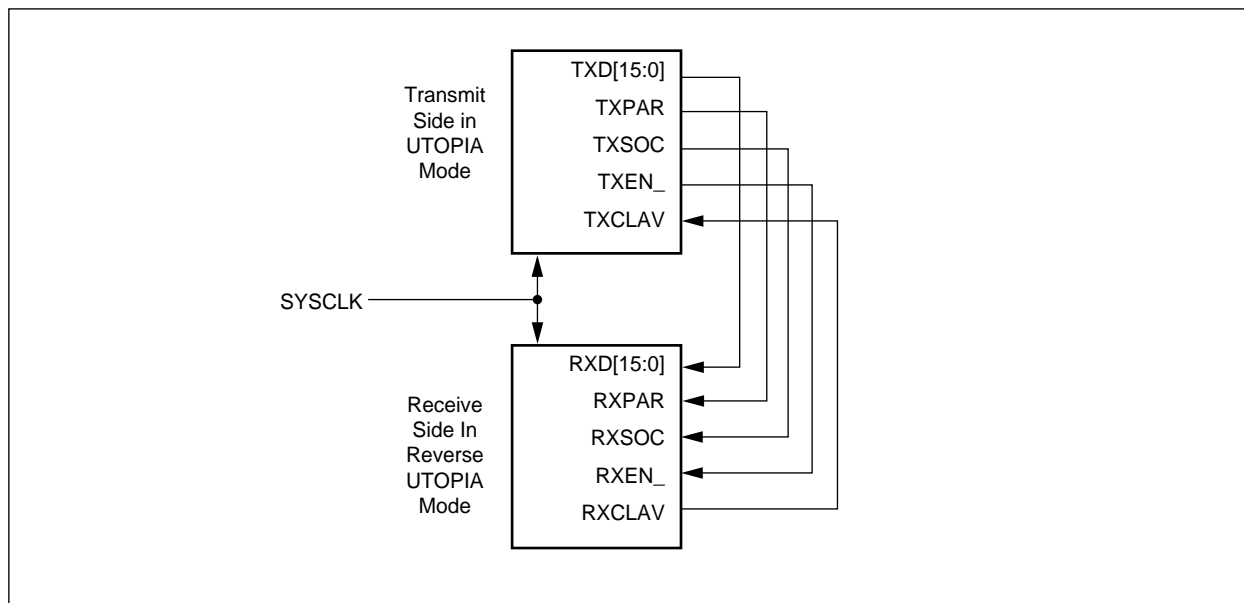
The physical interface can be internally looped by setting the FR_LOOP bit in the CONFIG0 Register to a logic high. This mode uses the internal system clock for operation; therefore, a framer clock is not needed during loopback operation.

When the signal “fr_src_loop” equals one, the interface will loop back the data and control signals, so the path from the segmentation coprocessor to the reassembly coprocessor can be tested. The internal connections of the PHY device interface signals are connected, as Figure 12-7 illustrates. The transmit side is put into the UTOPIA Mode and the receive side is put into the Reverse UTOPIA Mode.

In this mode, the outputs of the chip, txd, txpar, txsoc, txen_, and rxclav_ are three-stated, so there are no output conflicts with other devices connected to these signals.

NOTE: A reset of the reassembly coprocessor is required after the changing of the FR_LOOP bit, because this changes the source of the clock to the physical interface circuitry. To accomplish this reset, assert RSM_CTRL0 (RSM_RESET).

Figure 12-7. Source Loopback Mode Diagram



12.8 Receive Cell Synchronization Logic

The receive cell synchronization logic accepts a stream of octets (together with error and cell boundary indications) from the receive ATM physical interface and performs the following functions:

- Maintains a sequence counter that marks the various components of an ATM cell: the 5-byte ATM header, the 1-byte HEC field within the header, and the 48-byte payload. The sequence counter is also used by the ATM physical interface to check cell boundary synchronization.
- Extracts and discards the HEC byte from each 53-byte ATM cell, leaving 52 bytes of cell data.
- Formats consecutive 4-byte segments into 32-bit words; thus, the header forms the first word, the first four bytes of the payload form the next word, and so on. A total of thirteen 32-bit words are created from each 52-byte cell after the HEC byte has been removed. The bytes within each word are left-justified (big-endian format), i.e., the first byte received is the MSB of the word.
- Ensures that a complete cell (exactly 52 bytes) is always written to the FIFO. If a synchronization error occurs, the FR_SYNC_ERR bit in the HOST_ISTAT0/LP_ISTAT0 registers is set. The ATM physical interface attempts to resynchronize with the data stream.
- Sets the RSM_OVFL bit in the HOST_ISTAT0/LP_ISTAT0 registers if an octet could not be transferred due to the receive FIFO being full.

12.9 Transmit Cell Synchronization Logic

The transmit cell synchronization logic copies cell data from the transmit cell FIFO to the transmit ATM physical interface while performing the following functions:

- Reads 32-bit words from the transmit cell FIFO and converts them to a stream of octets, with the MSB of each 32-bit word corresponding to the first byte derived from that word (big-endian format).
- Maintains a sequence counter that delineates the various components of each ATM cell (4-byte header, 48-byte payload) in the outgoing byte stream.
- Inserts a blank (all-zero) HEC byte, used as a placeholder, into the outgoing byte stream representing each ATM cell. The HEC placeholder is inserted after the first four bytes (the ATM header) have been transferred.
- Generates appropriate cell delineation pulses to the transmit ATM physical interface logic, for use in generating the TXSOC output, and also in verifying synchronization with the framer device.
- If the ATM physical transmit interface runs out of cells to transmit, the device sets the SEG_UNFL bit in the HOST_ISTAT0/LP_ISTAT0 registers.

The transmit cell synchronization logic supplies a continuous stream of octets to the transmit ATM physical interface unit, with cell delineation pulses at the starting byte of every cell. Only complete 53-byte cells are supplied to the ATM physical interface. If the transmit cell FIFO is empty, the transmit cell synchronization logic indicates that no more data can be transferred to the framer.

13.0 RS8234 Registers

13.1 Control and Status Registers

Control and status registers of the RS8234 are listed in [Table 13-1](#). Detailed register descriptions are provided in this section.

NOTE: Note that byte enables are ignored by the RS8234 when writing to control and status registers.

The access type terminology given below applies to all registers in this section. Each register description is prefaced with the appropriate abbreviated access types.

Abbreviation	Description
R/W	Read and write access for both host and local processors
R/W H	Read and write access for host; read only access for local processor
R/W L	Read and write access for local; read only access for host processor
R/W R	Read and write access for both processors with restrictions
R/O-W/O B	Part of this register is read only; part write only by both processors
R/O	Read only access for both processors

Table 13-1. RS8234 Control and Status Registers (1 of 2)

Address	Name	Type	Description
0x00	CLOCK	R/W	Real Time Clock Register
0x04	ALARM1	R/W	Alarm Register 1
0x08	Reserved	–	Not Implemented
0x0C	SYS_STAT	R/O	System Status Register
0x10	Reserved	–	Not Implemented
0x14	CONFIG0	R/W	Basic Configuration And Control Register 0
0x18	Reserved	–	Not Implemented. <i>Must be set to 0.</i>
0x1c	INT_DELAY	R/W	Interrupt Delay Register
0x20-0x7c	Reserved	-	Not Implemented
0x80	SEG_CTRL	R/W	Segmentation Control Register
0x84	SEG_VBASE	R/W	SEG VCC Table and Schedule Table Base Address Register
0x88	SEG_PMBASE	R/W	SEG PM Table and Bucket Table Base Address Register
0x8c	SEG_TXBASE	R/W	Segmentation Transmit Queue Base Register
0x90-0x9c	Reserved	-	Not Implemented
0xa0	SCH_PRI	R/WB	Schedule Priority Register
0xa4	SCH_PRI_2	R/W	Schedule Priority Control Register 2
0xa8	SCH_SIZE	R/W	Schedule Size and Slot Minimum Drain Rate Register
0xac	SCH_CTRL	R/W	Scheduler Control Register
0xb0	SCH_ABR_MAX	R/W	Maximum ABR VCC_INDEX Register
0xb4	SCH_ABR_CON	R/W	Schedule ABR Constant Register
0xb8	SCH_ABRBASE	R/W	ABR Decision Table Lookup Base Register
0xbc	SCH_CNG	R/W	ABR Congestion Notification Register
0xc0	PCR_QUE_INT01	R/W	PCR Queue Interval 0 and 1 Register
0xc4	PCR_QUE_INT23	R/W	PCR Queue Interval 2 and 3 Register
0xc8–0xeC	Reserved	–	Not Implemented
0xf0	RSM_CTRL0	R/W	Reassembly Control Register 0
0xf4	RSM_CTRL1	R/W	Reassembly Control Register 1
0xf8	RSM_FOBASE	R/W	Reassembly Free Buffer Queue Base Register
0xfc	RSM_FOCTRL	R/W	Reassembly Free Buffer Queue Control Register
0x100	RSM_TBASE	R/W	Reassembly Table Base Register
0x104	RSM_TO	R/W	Reassembly Time-out Register
0x108	RS_QBASE	R/W	Reassembly/Segmentation Queue Base Address Register
0x10C–0x15C	Reserved	–	Not Implemented
0x160	CELL_XMIT_CNT	R/O	ATM Cells Transmitted Counter

Table 13-1. RS8234 Control and Status Registers (2 of 2)

Address	Name	Type	Description
0x164	CELL_RCVD_CNT	R/O	ATM Cells Received Counter
0x168	CELL_DSC_CNT	R/O	ATM Cells Discarded Counter
0x16C	AAL5_DSC_CNT	R/O	AAL5 PDUs Discarded Counter
0x170 - 0x19C	Reserved	-	Not Implemented
0x1a0	HOST_MBOX	R/W L	Host Mailbox Register
0x1a4	HOST_ST_WR	R/O	Host Status Write Register
0x1a8-0x1ac	Reserved	-	Not Implemented
0x1b0	LP_MBOX	R/W H	Local Processor Mailbox Register
0x1b4-0x1bc	Reserved	-	Not Implemented
0x1c0	HOST_ISTAT0	R/O	Host Processor Interrupt Status Register 0
0x1c4	HOST_ISTAT1	R/O	Host Processor Interrupt Status Register 1
0x1c8-0x1cc	Reserved	-	Not Implemented
0x1d0	HOST_IMASK0	R/W H	Host Interrupt Mask Register 0
0x1d4	HOST_IMASK1	R/W H	Host Interrupt Mask Register 1
0x1d8-0x1dc	Reserved	-	Not Implemented
0x1e0	LP_ISTAT0	R/O	Local Processor Interrupt Status Register 0
0x1e4	LP_ISTAT1	R/O	Local Processor Interrupt Status Register 1
0x1e8-0x1ec	Reserved	-	Not Implemented
0x1f0	LP_IMASK0	R/W L	Local Processor Interrupt Mask Register 0
0x1f4	LP_IMASK1	R/W L	Local Processor Interrupt Mask Register 1
0x1f8-0x1fc	Reserved	-	Not Implemented

13.2 System Registers

0x00 - Real-Time Clock Register (CLOCK)

This register contains the 32-bit real time clock. It is incremented by the system clock (SYSCLK), which has been divided by the DIVIDER[6:0] field in the CONFIG0 register. It can be written to any value by each processor, and can generate an interrupt on the RTC_OVFL status bit in the LP_ISTAT0 register when it overflows from 0xFFFFFFFF to 0x0.

Bit	Field Size	Name	Description
31-0	32	CLOCK[31:0]	Real-time clock value.

0x04 - Alarm Register 1 (ALARM1)

This register contains a 32-bit value which is compared against the CLOCK register. When the two registers are equal, the ALARM1 status bit in the LP_ISTAT0 register is latched and can be enabled to cause an interrupt to the local processor. To implement a periodic interrupt, add a constant value to this register after each interrupt.

Bit	Field Size	Name	Description
31-0	32	ALARM1[31:0]	ALARM1 comparison value.

0x0c - System Status Register (SYS_STAT)

The System Status Register provides read-only system status. This register reflects the device ID and version information for the part, as well as pin programmable options that otherwise might not be visible to the processors. It also contains expanded information for the status located in the HOST_ISTAT0 and LP_ISTAT0 registers.

Bit	Field Size	Name	Description
31-17	15	Reserved	Not implemented at this time.
16-12	5	PCI_BUS_STATUS [4:0]	The status bits are as follows: 4 = Target Abort 3 = Master Abort 2 = Parity Error 1 = Interface Disabled 0 = Internal Failure Reflects corresponding error bits in the PCI Configuration register. Bits are reset by either a write to the PCI Configuration register by the host, or by setting CONFIG0 (PCI_ERR_RESET) bit.
11	1	RAMMODE	Reflects the state of the RAMMODE input pin.
10	1	PROCMODE	Reflects the state of the PROCMODE input pin.
9, 8	2	FRCFG[1:0]	Reflects the state of the FRCFG[1:0] input pins.
7-4	4	VERSION [3:0]	Version number for the RS8234; for Rev A set to zero, for Rev B set to one, for Rev C set to two, for Rev D set to three, for Rev E set to four, and for Rev F set to five.
3-0	4	DEVICE[3:0]	Device ID for the RS8234; set to two.

0x14 - Configuration Register 0 (CONFIG0)

This register provides all of the control and configuration bits that are not associated with the reassembly and segmentation coprocessors. The majority of these bits are configuration (which occurs at initialization time) and are not changed dynamically. The assertion of the HRST* system reset pin will clear all of the bits in the CONFIG0 register except for MEMCTRL, which will be set high.

Bit	Field Size	Name	Description
31	1	LP_ENABLE	When set, this bit causes the PRST* output pin to be high. This can be used to reset the local processor.
30	1	GLOBAL_RESET	When set, this bit causes reset of the segmentation and reassembly coprocessors as well as all latched status.
29	1	PCI_MSTR_RESET	When set, this bit resets the PCI master logic. Once active, this bit must stay active for 16 cycles of the HCLK input signal.
28	1	PCI_ERR_RESET	When set, resets all PCI error bits in the PCI configuration, including RMA, RTA, DPR, INTF_DIS, INT_FAIL, and MERROR. This also re-enables PCI master operation.
27-26	2	Reserved	Always set to zero.

Bit	Field Size	Name	Description
25	1	PHY2_EN	Enables the second PHY device memory space in standalone operation.
24	1	INT_LBANK	When set, allows only byte 0 and 1 writes to address space 0x1000–0x10ff and 0x1400–0x14ff. This allows endian neutral access of the Status Queue Base Table READ_UD field by the host or local processor.
23	1	Reserved	Always set to zero.
22	1	PCI_READ_MULTI	When this bit is set, the SAR's PCI Master implements the PCI Read Multiple Command. Otherwise, the PCI Master implements the PCI Read Command.
21	1	PCI_ARB	Selects PCI Master arbitration scheme. When a logic high, enables round-robin between read and write requests. When a logic low, reads have priority over writes.
20–16	5	STATMODE[4:0]	Selects which internal status to output on the STAT[1:0] output pins.
15	1	FR_RMODE (BT8222/3)	Controls reassembly start of cell processing. When set low, processing starts after the first two words of a cell are received. When set high, a complete cell must be in reassembly FIFO before cell is processed.
14	1	FR_LOOP	When set, this bit enables loopback of cells at the ATM physical interface. Loopback uses SYSCLK.
13	1	UTOPIA_MODE	Selects byte or cell UTOPIA handshake mode. 0 = Octet handshake 1 = Cell handshake
12	1	ENDIAN	Selects between Little and Big Endian host data structures. 0 = Little Endian 1 = Big Endian
11	1	LP_BWAIT	Selects zero or one wait states between consecutive data cycles during local processor burst accesses. Set to logic low for standalone operation mode.
10	1	MEMCTRL	Selects zero or one wait states SAR shared memory (1 or 2 cycle).
9–7	3	BANKSIZE[2:0]	Selects size of memory banks for contiguous memory support. See Section 9.2 , for further explanation.
6–0	7	DIVIDER[6:0]	Prescaler for SYSCLK which advances the counter in the CLOCK Register. SYSCLK is divided by the divider value; if zero, divided by 128.

0x1c - Interrupt Delay Register (INT_DELAY)

Bit	Field Size	Name	Description
31-11	21	Reserved	Set to zero.
10	1	TIMER_LOC	If logic high, interrupt hold off timer used with local interrupt; else with host interrupt.
9	1	EN_TIMER	Enable status queue interrupt timer delay.
8	1	EN_STAT_CNT	Enable status queue interrupt counter delay.
7-0	8	STAT_CNT[7:0]	Number of status queue entries written before allowing interrupt to propagate to output pin.

13.3 Segmentation Registers

0x80 - Segmentation Control Register (SEG_CTRL)

This register contains general control bits for the segmentation coprocessor. The assertion of the HRST* system reset pin or GLOBAL_RESET bit in the CONFIG0 register will cause the clearing of the SEG_ENABLE control bit.

Bit	Field Size	Name	Description
31	1	SEG_ENABLE	Segmentation Enable—enables segmentation coprocessor. If disabled, the segmentation coprocessor will halt on a cell boundary.
30	1	SEG_RESET	Segmentation Reset —resets segmentation coprocessor and pointers.
29-27	3	VBR_OFFSET	Offset from schedule slot priority to general priority. ($VBR_OFFSET + (\# VBR/ABR \text{ priorities}) \leq 7$.) Not active if USE_SCH_CTRL is asserted.
26	1	SEG_GFC	Enable segmentation GFC processing. The segmentation machine is disabled when the SAR receives cells with GFC halt set. GFC priority queues (set in the SCH_PRI register) are active for one cell for each received cell with GFC SET_A bit = 1.
25	1	DBL_SLOT	Each schedule slot occupies two words. Not active if USE_SCH_CTRL is asserted.
24	1	CBR_TUN	Use first entry in each schedule slot for CBR/tunnel traffic.
23	1	ADV_ABR_TMPLT	Advanced ABR template mode. When logic high, per-connection MCR and ICR enabled. When logic low, per-template MCR and ICR enabled.
22	1	USE_SCH_CTRL	Activate the use of SLOT_DEPTH, the 4-bit VBR_OFFSET field, and TUN_PRIO_OFFSET from the SCH_CTRL register. De-activate the use of DBL_SLOT and the 3-bit VBR_OFFSET field from the SEG_CTRL register.
21-16	6	Reserved	Program and read as zero.
15-12	4	TX_FIFO_LEN	Depth of transmit FIFO in cells. Valid range is 3–9. To ensure optimum performance, the depth of the FIFO should be at least three.
11	1	CLPO_EOM	Set CLP in ATM header to zero on last cell of CPCS-PDU.
10-6	5	OAM_STAT_ID	Status queue ID for buffer descriptors with OAM_STAT set.
5	1	SEG_ST_HALT	Enables a status queue entry for a VCC halted with a partially segmented packet.
4	1	SEG_LS_DIS	Segmentation Local Status Disable—Disable segmentation check for SAR shared memory status queue full condition. If this bit is not set, the segmentation coprocessor will not segment any cells for a VCC assigned to a full SAR shared memory status queue. This bit can be used to disable overflow checking when the queues are sized large enough to prevent overflow.

Bit	Field Size	Name	Description
3	1	SEG_HS_DIS	Segmentation Host Status Disable—Disable segmentation check for PCI memory status queue full condition. If this bit is not set, the segmentation coprocessor will not segment any cells for a VCC assigned to a full PCI memory status queue. This bit can be used to disable overflow checking when the queues are sized large enough to prevent overflow.
2	1	TX_RND	Set for transmit queue servicing in round-robin order. Clear for transmit queue servicing in priority order (31 is highest priority).
1-0	2	TR_SIZE[1:0]	Number of entries in each transmit queue. 00 = 64 01 = 256 10 = 1,024 11 = 4,096

0x84 - Segmentation VCC Table and Schedule Table Base Address Register (SEG_VBASE)

The SEG_VBASE register sets the base address in SAR shared memory for the segmentation VCC table and the schedule table. Both base addresses are 128-byte aligned and only the 16 most significant bits of the address are specified in the SEG_VBASE register.

Bit	Field Size	Name	Description
31-16	16	SEG_SCHB[15:0]	Base address for the schedule table.
15-0	16	SEG_VCCB[15:0]	Base address for the segmentation VCC table.

0x88 - Segmentation PM Base Register (SEG_PMBASE)

The SEG_PMBASE register sets the base address in SAR shared memory for the VBR bucket table and the performance monitoring table. Both base addresses are 128-byte aligned and only the 16 most significant bits of the address are specified in the SEG_PMBASE register.

Bit	Field Size	Name	Description
31-16	16	SEG_BCKB[15:0]	Base address for the VBR bucket table. (See Section 6.2.4 , for details on loading bucket table entries.)
15-0	16	SEG_PMB[15:0]	Base address for the performance monitoring table.

0x8c - Segmentation Transmit Queue Base Register (SEG_TXBASE)

The SEG_TXBASE register sets the base address in SAR shared memory for the transmit queues and enables the individual queues. The base address is 128-byte aligned and only the 16 most significant bits of the address are specified in the SEG_TXBASE register.

Bit	Field Size	Name	Description
31-16	16	SEG_TXB[15:0]	Base address for the transmit queues.
15-13	3	Reserved	Program and read as zero.
12-5	8	XMIT_INTERVAL[7:0]	Interval for transmit queue READ_UD_PNTR update.
4-0	5	TX_EN	Transmit queues 0-TX_EN are enabled.

13.4 Scheduler Registers

0xa0 - Schedule Priority Register (SCH_PRI)

This register specifies the use of each global priority pointer, for priority queues 0 through 7.

Bit	Field Size	Name	Description
31	1	QPCR_ENA7	Enable PCR limits on global priority pointer 7.
30	1	QPCR_ENA6	Enable PCR limits on global priority pointer 6.
29	1	QPCR_ENA5	Enable PCR limits on global priority pointer 5.
28	1	QPCR_ENA4	Enable PCR limits on global priority pointer 4.
27	1	QPCR_ENA3	Enable PCR limits on global priority pointer 3.
26	1	QPCR_ENA2	Enable PCR limits on global priority pointer 2.
25	1	QPCR_ENA1	Enable PCR limits on global priority pointer 1.
24	1	QPCR_ENA0	Enable PCR limits on global priority pointer 0.
23	1	Reserved	Program and read as zero.
22	1	TUN_ENA7	Enable tunnel on global priority pointer 7.
21	1	GFC7	Enable GFC on priority pointer 7.
20	1	Reserved	Program and read as zero.
19	1	TUN_ENA6	Enable tunnel on global priority pointer 6.
18	1	GFC6	Enable GFC on priority pointer 6.
17	1	Reserved	Program and read as zero.
16	1	TUN_ENA5	Enable tunnel on global priority pointer 5.
15	1	GFC5	Enable GFC on priority pointer 5.
14	1	Reserved	Program and read as zero.
13	1	TUN_ENA4	Enable tunnel on global priority pointer 4.
12	1	GFC4	Enable GFC on priority pointer 4.
11	1	Reserved	Program and read as zero.
10	1	TUN_ENA3	Enable tunnel on global priority pointer 3.
9	1	GFC3	Enable GFC on priority pointer 3.
8	1	Reserved	Program and read as zero.
7	1	TUN_ENA2	Enable tunnel on global priority pointer 2.
6	1	GFC2	Enable GFC on priority pointer 2.
5	1	Reserved	Program and read as zero.

Bit	Field Size	Name	Description
4	1	TUN_ENA1	Enable tunnel on global priority pointer 1.
3	1	GFC1	Enable GFC on priority pointer 1.
2	1	Reserved	Program and read as zero.
1	1	TUN_ENA0	Enable tunnel on global priority pointer 0.
0	1	GFC0	Enable GFC on priority pointer 0.

0xa4 - Schedule Priority Control Register 2 (SCH_PRI_2)

The SCH_PRI_2 register sets the enables for GFC, CBR tunneling and PCR limits, on global priority queues 8 through 15.

Bit	Field Size	Name	Description
31	1	QPCR_ENA_15	Enable PCR limits on global priority pointer 15.
30	1	QPCR_ENA_14	Enable PCR limits on global priority pointer 14.
29	1	QPCR_ENA_13	Enable PCR limits on global priority pointer 13.
28	1	QPCR_ENA_12	Enable PCR limits on global priority pointer 12.
27	1	QPCR_ENA_11	Enable PCR limits on global priority pointer 11.
26	1	QPCR_ENA_10	Enable PCR limits on global priority pointer 10.
25	1	QPCR_ENA_9	Enable PCR limits on global priority pointer 9.
24	1	QPCR_ENA_8	Enable PCR limits on global priority pointer 8.
23	1	Reserved	Program and read as zero.
22	1	TUN_ENA_15	Enable tunnel on global priority pointer 15.
21	1	GFC15	Enable GFC on global priority pointer 15.
20	1	Reserved	Program and read as zero.
19	1	TUN_ENA_14	Enable tunnel on global priority pointer 14.
18	1	GFC14	Enable GFC on global priority pointer 14.
17	1	Reserved	Program and read as zero.
16	1	TUN_ENA_13	Enable tunnel on global priority pointer 13.
15	1	GFC13	Enable GFC on global priority pointer 13.
14	1	Reserved	Program and read as zero.
13	1	TUN_ENA_12	Enable tunnel on global priority pointer 12.
12	1	GFC12	Enable GFC on global priority pointer 12.
11	1	Reserved	Program and read as zero.
10	1	TUN_ENA_11	Enable tunnel on global priority pointer 11.
9	1	GFC11	Enable GFC on global priority pointer 11.

Bit	Field Size	Name	Description
8	1	Reserved	Program and read as zero.
7	1	TUN_ENA_10	Enable tunnel on global priority pointer 10.
6	1	GFC10	Enable GFC on global priority pointer 10.
5	1	Reserved	Program and read as zero.
4	1	TUN_ENA_9	Enable tunnel on global priority pointer 9.
3	1	GFC9	Enable GFC on global priority pointer 9.
2	1	Reserved	Program and read as zero.
1	1	TUN_ENA_8	Enable tunnel on global priority pointer 8.
0	1	GFC8	Enable GFC on global priority pointer 8.

0xa8 - Schedule Size Register (SCH_SIZE)

The SCH_SIZE register sets the size of the schedule table in schedule slots and the period of a schedule slot in system clocks.

Bit	Field Size	Name	Description
31-16	16	TBL_SIZE[15:0]	Size of schedule table in schedule slots.
15-14	2	Reserved	Program and read as zero.
13-0	14	SLOT_PER[13:0]	Number of system clocks per schedule slot. The value written to the register should be (SLOT_PER - 1). Minimum bound for SLOT_PER value = 70.

0xac - Scheduler Control Register (SCH_CTRL)

The SCH_CTRL register defines the configured schedule slot and priority and VBR offsets, when 16 priority queues are used.

Bit	Field Size	Name	Description
31-27	5	Reserved	Program and read as zero.
26	1	Reserved	NOTE: Must be set to 0 during initialization unless using an external scheduler clock.
25-15	11	Reserved	Program and read as zero.
14-12	3	SLOT_DEPTH	Depth of the schedule slot is set to 1 + SLOT_DEPTH words. Active only if USE_SCH_CTRL is asserted.
11-10	2	Reserved	Program and read as zero.
9-6	4	TUN_PRI0_OFFSET	Offset from the TUN_PRI_0 field in the schedule table and CBR VCC table. Active only if USE_SCH_CTRL is asserted.

Bit	Field Size	Name	Description
5-4	2	Reserved	Program and read as zero.
3-0	4	VBR_OFFSET	Offset from schedule slot priority to general priority. Active only if USE_SCH_CTRL is asserted.

0xb0 - Maximum ABR VCC_INDEX Register (SCH_ABR_MAX)

The SCH_ABR_MAX register defines the configured maximum ABR VCC index.

Bit	Field Size	Name	Description
31-16	16	Reserved	Program and read as zero.
15-0	16	VCC_MAX	Maximum ABR VCC index.

0xb4 - Schedule ABR Constant Register (SCH_ABR_CON)

The SCH_ABR_CON register sets the ABR TRM and ADTF timeout. Timeout values are in units of 64 cell slots.

Bit	Field Size	Name	Description
31-16	16	ABR_TRM	ABR TRM parameter. Parameter value is SYSCLK period x SLOT_PER x ABR_TRM x 64.
15-0	16	ABR_ADTF	ABR ADTF parameter. Parameter values is SYSCLK period x SOT_PER x ABR_ADTF x 64.

access types: R/W

0xb8 - ABR Decision Table Lookup Base Register (SCH_ABRBASE)

The SCH_ABRBASE register sets the base address in SAR shared memory for the ABR decision table. This address is 128-byte aligned, and only the 16 most significant bits of the address are specified in the SCH_ABRBASE register.

Bit	Field Size	Name	Description
31-29	3	Reserved	Program and read as zero.
28	1	OOR_EN	Enable ABR out-of-rate Forward RM cell generation.
27-16	12	OOR_INT	ABR out-of-rate Forward RM cell interval. A VCC is examined for an out-of-rate cell every OOR_INT schedule slots.
15-0	16	SCH_ABRB[15:0]	Base address for the ABR decision table.

0xbc - ABR Congestion Register (SCH_CNG)

The SCH_CNG register sets each reassembly free buffer queue to a congested or non-congested state for transmitted reverse RM cells.

Bit	Field Size	Name	Description
31-0	32	FBO_CNG[31:0]	Congestion state for each free buffer queue.

0xc0 - PCR Queue Interval 0 and 1 Register (PCR_QUE_INT01)

The PCR_QUE_INT01 register fields are used to store the two lower PCR values used in PCR shaping on priority queues that have been enabled for PCR shaping by setting the QPCR_ENAx bits in the SCH_PRI register. QPCR_INTx values are used in order: 3, 2, 1, and 0; highest to lowest. PCR is determined by: $1/(QPCR_INTx \times SYSCLK_period \times SLOT_PER)$.

Bit	Field Size	Name	Description
31-16	16	QPCR_INT1	The assigned PCR interval, entered as number of schedule table slots, used to map to the 3rd-highest priority queue that is enabled for PCR shaping (using the QPCR_ENAx bits in the SCH_PRI register).
15-0	16	QPCR_INT0	The assigned PCR interval, entered as number of schedule table slots, used to map to the 4th-highest priority queue that is enabled for PCR shaping (using the QPCR_ENAx bits in the SCH_PRI register).

0xc4 - PCR Queue Interval 2 and 3 Register (PCR_QUE_INT23)

The PCR_QUE_INT23 register fields are used to store the two highest PCR values used in PCR shaping on priority queues that have been enabled for PCR shaping by setting the QPCR_ENAx bits in the SCH_PRI register. QPCR_INTx values are used in order: 3, 2, 1, and 0; highest to lowest. PCR is determined by: $1/(QPCR_INTx \times SYSCLK_period \times SLOT_PER)$.

Bit	Field Size	Name	Description
31-16	16	QPCR_INT3	The assigned PCR interval, entered as number of schedule table slots, used to map to the highest priority queue that is enabled for PCR shaping (using the QPCR_ENAx bits in the SCH_PRI register).
15-0	16	QPCR_INT2	The assigned PCR interval, entered as number of schedule table slots, used to map to the 2nd-highest priority queue that is enabled for PCR shaping (using the QPCR_ENAx bits in the SCH_PRI register).

13.5 Reassembly Registers

0xf0 - Reassembly Control Register 0 (RSM_CTRL0)

The Reassembly Control Register 0 contains the general control bits for the reassembly coprocessor. The assertion of the HRST* system reset pin or the GLOBAL_RESET bit in the CONFIG0 register will clear the RSM_ENABLE control bit.

Bit	Field Size	Name	Description
31	1	RSM_ENABLE	Reassembly enable. Initiates an incoming transfer if set, and halts it if reset. If this bit is reset while the reassembly coprocessor is running, it temporarily suspends the activities of the reassembly coprocessor logic. Suspension takes place on a cell boundary, i.e., between the completion of all processing and transfers required for the current cell, and the start of processing for the next cell. The hold can be removed and the transfer resumed by setting the RSM_ENABLE bit. This bit will also be set low internally on certain reassembly error conditions. This includes parity error with PHALT_EN. In this case, the error condition should be corrected and the RSM_ENABLE bit set high to resume operation.
30	1	RSM_RESET	Reassembly reset. Forces a hardware reset of the reassembly coprocessor when asserted. It must be deasserted before the reassembly coprocessor will resume normal operation.
29	1	Reserved	Program and read as zero.
28	1	VPI_MASK	VPI Mask enable. Used to select UNI/NNI header operation in the direct index method. When a logic high, the four MSBs of the header are masked for UNI operation. This also controls the Index Table size. A UNI table is 256 entries and a NNI table is 4,096.
27-24	4	Reserved	Program and read as zero.
23-18	6	Reserved	Program and read as zero.
17	1	RSM_PHALT	Reassembly coprocessor halt on parity error detect. The reassembly coprocessor will halt the incoming channel logic if a parity error is detected and the RSM_PHALT bit is set.
16	1	Reserved	Program and read as zero.
15	1	FWALL_EN	Firewall enable. Enables free buffer queue firewalling of user cells. If set, this bit enables the per connection free buffer queue firewall. Each connection that firewall is active in must have the FW_EN bit set to a logic high in the VCC table.
14	1	RSM_FBQ_DIS	Free Buffer Queue Underflow Protection Disable. When a logic high, the reassembly coprocessor ignores the VLD bit in the free buffer queue when a new buffer is required. The periodic writing of the read index pointer to host/SAR shared memory is also disabled.
13	1	RSM_STAT_DIS	Status Queue Overflow Protection Disable. When a logic high, the reassembly coprocessor ignores the READ_UD pointer.

Bit	Field Size	Name	Description
12	1	GTO_EN	Global Time-out Enable. When a logic high, the automatic reassembly time-out function is enabled.
11-5	7	MAX_LEN	Maximum Length. MAX_LEN x 1,024 is the maximum allowable size in bytes of an AAL5 CPCS-PDU, including overhead.
4-0	5	GDIS_PRI	Global Discard Priority. Used by the Frame Relay and CLP discard functions. If the individual channel priority number is less than or equal to GDIS_PRI, PDUs on that channel can be discarded.

0xf4 - Reassembly Control Register 1 (RSM_CTRL1)

The Reassembly Control Register 1 contains additional general control bits for the reassembly coprocessor.

Bit	Field Size	Name	Description																		
31	1	EN_PROG_BLK_SZ	Enable Programmable Block Size. When a logic high, the programmable block size VPI/VCI lookup method is enabled. This method consists of programmable block sizes, and an additional BLK_EN bit in the VCI Index Table.																		
30-28	3	VCI_IT_BLK_SZ	VCC Table/VCI Index Table Block Size. This field determines the number of RSM VCC entries accessed per VCI Index Table entry. <table border="1" data-bbox="829 1066 1263 1535"> <thead> <tr> <th>VALUE</th> <th>VCC BLOCK_SIZE</th> </tr> </thead> <tbody> <tr> <td>000</td> <td>1</td> </tr> <tr> <td>001</td> <td>2</td> </tr> <tr> <td>010</td> <td>4</td> </tr> <tr> <td>011</td> <td>8</td> </tr> <tr> <td>100</td> <td>16</td> </tr> <tr> <td>101</td> <td>32</td> </tr> <tr> <td>110</td> <td>64</td> </tr> <tr> <td>111</td> <td>not valid.</td> </tr> </tbody> </table>	VALUE	VCC BLOCK_SIZE	000	1	001	2	010	4	011	8	100	16	101	32	110	64	111	not valid.
VALUE	VCC BLOCK_SIZE																				
000	1																				
001	2																				
010	4																				
011	8																				
100	16																				
101	32																				
110	64																				
111	not valid.																				
27-24	4	Reserved	Program and read as zero.																		
23-20	4	Reserved	Program and read as zero.																		
19-17	3	Reserved	Program and read as zero.																		
16-13	4	Reserved	Program and read as zero.																		
12	1	OAM_FF_DSC	OAM FIFO Full Discard. When a logic high and OAM_QU_EN is a logic high, an OAM cell will be discarded if the incoming DMA FIFO is almost full.																		
11	1	OAM_EN	OAM Enable. Enables detection and processing of OAM cells.																		

Bit	Field Size	Name	Description
10	1	OAM_QU_EN	OAM Buffer/Status Queue Enable. When a logic high, an OAM cell will use the global OAM free buffer queue and status queue instead of per-channel resources.
9-5	5	OAM_BFR_QU	OAM Free Buffer Queue. When OAM_QU_EN is a logic high, OAM cells will use buffers from the free buffer queue identified by OAM_BFR_QU.
4-0	5	OAM_STAT_QU	OAM Status Queue. When OAM_QU_EN is a logic high, OAM cells will post status to the status queue identified by OAM_STAT_QU.

0xf8 - Reassembly Free Buffer Queue Base Register (RSM_FQBASE)

This register determines the base address of both banks of contiguous free buffer queue spaces. The base address is a 16-bit number. Since both banks reside in SAR shared memory (23-bits of byte addressing), the structures can start on 128 byte boundaries. Bank 0 has additional boundary requirements if the buffer return mechanism is enabled.

Bit	Field Size	Name	Description
31-16	16	FBQ1_BASE	Free Buffer Queue Bank 1 base address.
15-0	16	FBQ0_BASE	Free Buffer Queue Bank 0 base address.

0xfc - Reassembly Free Buffer Queue Control Register (RSM_FQCTRL)

This register contains free buffer queue control information.

Bit	Field Size	Name	Description
31-16	16	Reserved	Not implemented at this time.
15-14	2	FBO_SIZE	Free Buffer Queue Size. Selects the size of all free buffer queues. 0 = 64 1 = 256 2 = 1,024 3 = 4,096
13	1	FWD_RND	Buffer Return Processing Priority Selection. When a logic low, buffer return entries are processed from queues in priority fashion with queue 15 having the highest priority. When a logic high, round robin arbitration is used.
12	1	FBO0_RTN	Free Buffer Queue 0 Buffer Return Enable. When a logic high, bank 0 is enabled to process buffer return for firewall operation. When this bit is set, queue entries 0–15 are four words independent of the value of FWD_EN; otherwise, they are two words.
11-8	4	FWD_EN	Forward Processing Enable. Selects the number of free buffer queues in bank 0 that have buffer return processing enabled. Starting with free buffer queue 0, a value of zero in FWD_EN selects only one queue, and a value of 15 selects 16 queues.
7-0	8	FBO_UD_INT	Free Buffer Queue Update Interval. This value determines how many buffers are taken off the free buffer queue before the reassembly coprocessor writes the current read index pointer to host or SAR shared memory.

0x100 - Reassembly Table Base Register (RSM_TBASE)

This register consists of a 16-bit address pointer that points to the beginning of the VPI Index table, and a 16-bit address pointer that points to the beginning of the RSM VCC Table. Since both tables reside in SAR shared memory, the tables start on 128-byte boundaries. The size of the VPI Index Table used in the direct index method is dependent upon the setting of RSM_CTRL0(VPI_MASK).

Bit	Field Size	Name	Description
31-16	16	RSM_VCCB	Reassembly VCC Table Base Address.
15-0	16	RSM_ITB	VPI Index Table Base Address.

0x104 - Reassembly Time-out Register (RSM_TO)

Bit	Field Size	Name	Description
31-16	16	RSM_TO_PER	Reassembly Time-out Interrupt Period. The value in this register determines the number of SYSCLK periods for each time-out interrupt. A value of zero divides by 65,538.
15-0	16	RSM_TO_CNT	Reassembly Time-out Counter. The value in this register plus one determines the number of time-out interrupts that occur in each pass through the RSM VCC Table.

0x108 - Reassembly/Segmentation Queue Base Address Register (RS_QBASE)

This register contains the 128-byte aligned base address of the reassembly/segmentation queue structure.

Bit	Field Size	Name	Description
31-18	14	Reserved	Program and read as zero.
17-16	2	RS_SIZE[1:0]	Size of the RS Queue. Each RS Queue entry is eight octets in length. 00 = 256 01 = 1,024 10 = 4,096 11 = 16,384
15-0	16	RS_QBASE[15:0]	Base address of the reassembly/segmentation queue.

13.6 Counters and Status Registers

0x160 - ATM Cells Transmitted Counter (CELL_XMIT_CNT)

This register counts the number of user data cells transmitted by the segmentation coprocessor. The counter is reset to zero by an assertion of either the HRST* system reset pin or the GLOBAL_RESET bit in the CONFIG0 register. Optionally, an interrupt can be programmed when the counter rolls over.

Bit	Field Size	Name	Description
31-0	32	CELL_XMIT_CNT	Count of user data cells transmitted.

0x164 - ATM Cells Received Counter (CELL_RCVD_CNT)

This register counts the number of assigned cells received by the reassembly coprocessor. The counter is reset to zero by an assertion of either the HRST* system reset pin or the GLOBAL_RESET bit in the CONFIG0 register. Optionally, an interrupt can be programmed when the counter rolls over.

Bit	Field Size	Name	Description
31-0	32	CELL_RCVD_CNT	Count of assigned received cells.

0x168 - ATM Cells Discarded Counter (CELL_DSC_CNT)

This register counts the number of unassigned cells received by the reassembly coprocessor. The counter is reset to zero by an assertion of either the HRST* system reset pin or the GLOBAL_RESET bit in the CONFIG0 register. Optionally, an interrupt can be programmed when the counter rolls over.

Bit	Field Size	Name	Description
31-0	32	CELL_DSC_CNT	Count of unassigned cells dropped.

0x16c - AAL5 PDUs Discarded Counter (AAL5_DSC_CNT)

This register counts the number of AAL5 CPCS-PDUs discarded due to buffer firewall, buffer underflow, or status overflow. The counter is reset to zero by an assertion of either the HRST* system reset pin or the GLOBAL_RESET bit in the CONFIG0 register. Optionally, an interrupt can be programmed when the counter rolls over.

Bit	Field Size	Name	Description
31-16	16	Reserved	Not implemented at this time.
15-0	16	AAL5_DSC_CNT	AAL5 PDUs discarded by the reassembly coprocessor.

0x1a0 - Host Mailbox Register (HOST_MBOX)

This register implements a mailbox for communication between the host and local processors. The register is written by the local processor and read by the host to pass messages in that direction. Writes to this register may interrupt the host while reads can interrupt the local processor.

Bit	Field Size	Name	Description
31-0	32	HOST_MBOX[31:0]	Messages flow from local processor to host.

0x1a4 - Host Status Write Register (HOST_ST_WR)

This register indicates if a reassembly or segmentation host-located status queue has been written. Only queues 0 through 15 are supported. All bits are latched until read by the host. The RSM_HS_WRITE[15:0] bits are ORed together into HOST/LP_ISTAT0(RSM_HS_WRITE), and the SEG_HW_WRITE[15:0] bits are ORed together into HOST/LP_ISTAT0(SEG_HS_WRITE).

Bit	Field Size	Name	Description
31-16	16	RSM_HS_WRITE[15:0]	Indication that a host-located reassembly status queue entry has been written. Only queues 0 through 15 are supported.
15-0	16	SEG_HS_WRITE[15:0]	Indication that a host-located segmentation status queue entry has been written. Only queues 0 through 15 are supported.

0x1b0 - Local Processor Mailbox Register (LP_MBOX)

This register implements a mailbox for communication between the host and local processors. LP_MBOX is written by the host processor and read by the local processor to pass messages in that direction. Writes to this register can interrupt the local processor while reads can interrupt the host processor.

Bit	Field Size	Name	Description
31-0	32	LP_MBOX[31:0]	Local processor mailbox register. Messages flow from host processor to local processor.

Host Interrupt Status Registers

These two registers contain all interruptible status bits for the host processor. The corresponding interrupt enables are located in the HOST_IMASKx registers. Status types are defined as:

- L Level-sensitive status—A logic one on the status bit will cause an interrupt when enabled by the corresponding IMASK bit. Reading the status does not clear the status or interrupt. The source of the condition causing the status must be cleared before the status or interrupt is cleared.
- E Event driven status—A 0 ->1 transition on the status bit causes an interrupt when enabled. Reading the status register clears the status bit and the interrupt.
- DE Dual Event status—A 0 -> 1 and 1 -> 0 transition on the status bit can be enabled to cause an interrupt. Reading the status register clears the status bit and the interrupt.

NOTE: Only host reads will reset the status bits in the HOST_ISTAT0 register.

0x1c0 - Host Processor Interrupt Status Register 0 (HOST_ISTAT0)

Bit	Field Size	Type	Name	Description
31	1	L	PFAIL	Reflects inverted state of processor PFAIL* input.
30	1	L	PHY_INTR	In standalone operation, this bit reflects the inverted state of the PDAEN* input. PHY_INTR can be connected to a PHY interrupt source.
29	1	—	Reserved	Read as zero.
28	1	E	HOST_MBOX_WRITTEN	This bit is set upon a write to the HOST_MBOX register by the local processor, and cleared by a read of the HOST_MBOX register.
27	1	E	LP_MBOX_READ	This bit is set upon the read of the LP_MBOX register by the local processor.
26	1	—	Reserved	Read as zero.
25-24	2	—	Reserved	Read as zero.
23	1	—	Reserved	Read as zero. Reserved for future status page expansion.
22	1	L	HSTAT1	This bit is set when any bit in HOST_ISTAT1 is set.
21-19	3	—	Reserved	Read as zero.
18	1	E	GFC_LINK	Set when three consecutive received cells have GFC SET_A, SET_B, or HALT bits set.

Bit	Field Size	Type	Name	Description
17	1	L	RSM_RUN	Set when the reassembly machine is running. Will be high when the RSM Coprocessor is processing a cell.
16	1	L	RSM_HS_WRITE	Indicates reassembly host status has been written by RS8234 to status queues 0 through 15. For queue number, read HOST_ST_WR which must be read in order to clear status bit.
15	1	E	RSM_LS_WRITE	Indicates reassembly local status has been written by RS8234.
14-12	3	—	Reserved	Read as zero.
11	1	L	SEG_RUN	Set when the segmentation machine is running. Will be high when SEG_ENABLE bit in SEG_CTRL is high or when processing the last cell after SEG_ENABLE is low.
10	1	L	SEG_HS_WRITE	Indicates segmentation host status has been written by the RS8234 to status queues 0 through 15. For queue number, read HOST_ST_WR which must be read in order to clear status bit.
9	1	E	SEG_LS_WRITE	Indicates that a segmentation local status queue has been written by the RS8234.
8-4	5	—	Reserved	Read as zero.
3	1	E	AAL5_DSC_RLOVR	Set on the occurrence of an AAL5_DSC_CNT rollover.
2	1	E	CELL_DSC_RLOVR	Set on the occurrence of a CELL_DSC_CNT rollover.
1	1	E	CELL_RCVD_RLOVR	Set on the occurrence of a CELL_RCVD_CNT rollover.
0	1	E	CELL_XMT_RLOVR	Set on the occurrence of a CELL_XMIT_CNT rollover.

0x1c4 - Host Processor Interrupt Status Register 1 (HOST_ISTAT1)

Bit	Field Size	Type	Name	Description
31	1	L	PCI_BUS_EROR	This bit is set if the MERROR bit in the PCI configuration register is set. The MERROR bit is reset by either writing a logic 1 to the MERROR bit in the PCI configuration register, or setting the CONFIG0(PCI_ERR_RESET) bit to a logic high.
30-27	4	—	Reserved	Read as zero.
26	1	E	DMA_AFULL	Set when the incoming DMA burst FIFO becomes almost full.
25	1	E	FR_PAR_ERR	Set on the occurrence of a parity error on the reassembly ATM physical interface.
24	1	E	FR_SYNC_ERR	Set on the occurrence of a synchronization error on the reassembly ATM physical interface.
23-16	8	—	Reserved	Read as zero.
15	1	E	RS_QUEUE_FULL	Reassembly/segmentation queue full condition.
14	1	E	RSM_OVFL	Reassembly overflow. Indicates that a cell was lost due to a FIFO full condition.
13	1	E	RSM_HS_FULL	Set on the occurrence of a host status queue full condition.
12	1	E	RSM_LS_FULL	Set on the occurrence of a local status queue full condition.
11	1	E	RSM_HF_EMPT	Set on the occurrence of a host free buffer queue empty condition.
10	1	E	RSM_LF_EMPT	Set on the occurrence of a local free buffer queue empty condition.
9-3	7	—	Reserved	Read as zero.
2	1	E	SEG_UNFL	Segmentation underflow indicates that a scheduled cell could not be sent due to lack of PCI bandwidth.
1	1	E	SEG_HS_FULL	Indicates that the segmentation host status queue is full.
0	1	E	SEG_LS_FULL	Indicates that the segmentation local status queue is full.

0x1d0 - Host Interrupt Mask Register 0 (HOST_IMASK0)

This register contains the interrupt enables that correspond to the status bits in the HOST_ISTAT0 register. The assertion of the HRST* system reset pin will clear all of the HOST_IMASK0 interrupt enables.

Bit	Field Size	Name	Description
31	1	EN_PFAIL	Enables interrupt when PFAIL status is a logic 1.
30	1	EN_PHY_INTR	Enables interrupt when PHY_INTR status is a logic 1.
29	1	Reserved	Set to zero.
28	1	EN_HOST_MBOX_WRITTEN	Enables interrupt when HOST_MBOX WRITTEN status is a logic 1.
27	1	EN_LP_MBOX_READ	Enables interrupt when LP_MBOX_READ status is a logic 1.
26	1	Reserved	Set to zero.
25-24	2	Reserved	Set to zero.
23	1	Reserved	Set to zero. Reserved for future status page expansion.
22	1	EN_HSTAT1	Global interrupt enable for HOST_ISTAT1 status register. Individual interrupts in HOST_ISTAT1 are enabled in HOST_IMASK1.
21-19	3	Reserved	Set to zero.
18	1	EN_GFC_LINK	Enables interrupt when GFC_LINK status is a logic 1.
17	1	EN_RSM_RUN	Enables interrupt when RSM_RUN status is a logic 1.
16	1	EN_RSM_HS_WRITE	Enables interrupt when RSM_HS_WRITE status is a logic high.
15	1	EN_RSM_LS_WRITE	Enables interrupt when RSM_LS_WRITE status is a logic high.
14-12	3	Reserved	Set to zero.
11	1	EN_SEG_RUN	Enables interrupt when SEG_RUN status is a logic high.
10	1	EN_SEG_HS_WRITE	Enables interrupt when SEG_HS_WRITE status is a logic high.
9	1	EN_SEG_LS_WRITE	Enables interrupt when SEG_LS_WRITE status is a logic high.
8-4	5	Reserved	Set to zero.
3	1	EN_AAL5_DSC_RLOVR	Enables an interrupt when AAL5_DSC_RLOVR status is a logic high.
2	1	EN_CELL_DSC_RLOVR	Enables an interrupt when CELL_DSC_RLOVR status is a logic high.
1	1	EN_CELL_RCVD_RLOVR	Enables an interrupt when CELL_RCVD_RLOVR status is a logic high.
0	1	EN_CELL_XMIT_RLOVR	Enables an interrupt when CELL_XMIT_RLOVR status is a logic high.

0x1d4 - Host Interrupt Mask Register 1 (HOST_IMASK1)

This register contains the interrupt enables that correspond to the status in the HOST_ISTAT1 register. The assertion of the HRST* system reset pin will clear all of the HOST_IMASK1 interrupt enables.

Bit	Field Size	Name	Description
31	1	EN_PCI_BUS_ERROR	Enables interrupt when PCI_BUS_ERROR status is a logic 1.
30-27	4	Reserved	Set to zero.
26	1	EN_DMA_AFULL	Enabled interrupt when DMA_AFULL status is a logic 1.
25	1	EN_FR_PAR_ERR	Enables interrupt when FR_PAR_ERR status is a logic 1.
24	1	EN_FR_SYNC_ERR	Enables interrupt when FR_SYNC_ERR status is a logic 1.
23-16	8	Reserved	Set to zero.
15	1	EN_RSQUEUE_FULL	Enables interrupt when RSQUEUE_FULL status is a logic 1.
14	1	EN_RSM_OVFL	Enables interrupt when RSM_OVFL status is a logic 1.
13	1	EN_RSM_HS_FULL	Enables interrupt when RSM_HS_FULL status is a logic high.
12	1	EN_RSM_LS_FULL	Enables interrupt when RSM_LS_FULL status is a logic high.
11	1	EN_RSM_HF_EMPT	Enables interrupt when RSM_HF_EMPT status is a logic high.
10	1	EN_RSM_LF_EMPT	Enables interrupt when RSM_LF_EMPT status is a logic high.
9-3	7	Reserved	Set to zero.
2	1	EN_SEG_UNFL	Enables interrupt when SEG_UNFL status is a logic high.
1	1	EN_SEG_HS_FULL	Enables interrupt when SEG_HS_FULL status is a logic high.
0	1	EN_SEG_LS_FULL	Enables interrupt when SEG_LS_FULL status is a logic high.

Local Processor Interrupt Status Registers

The Local Processor Interrupt Status Registers contain all the interruptible status bits for the local processor. The corresponding interrupt enables are located in the LP_IMASKx registers. Status types are defined as:

- L Level sensitive status—A logic one on the status bit will cause an interrupt when enabled by the corresponding IMASK bit. Reading the status does not clear the status or interrupt. The source of the condition causing the status must be cleared before the status or interrupt is cleared.
- E Event driven status—A 0 -> 1 transition on the status bit causes an interrupt when enabled. Reading the status register clears the status bit and the interrupt.
- DE Dual event status—A 0 -> 1 and 1 -> 0 transition on the status bit can be enabled to cause an interrupt. Reading the status register clears the status bit and the interrupt.

NOTE: Only local processor reads will reset the status bits in the LP_ISTAT0 register.

0x1e0 - Local Processor Interrupt Status Register 0 (LP_ISTAT0)

Bit	Field Size	Type	Name	Description
31	1	E	RTC_OVFL	Clock register overflow.
30	1	E	ALARM1	Set when ALARM1 register matches CLOCK register.
29	1	—	Reserved	Read as zero.
28	1	E	LP_MBOX_WRITTEN	This bit is set upon a write to the LP_MBOX register by the host processor.
27	1	E	HOST_MBOX_READ	This bit is set upon the read of the HOST_MBOX register by the host processor.
26	1	—	Reserved	Read as zero.
25-24	2	—	Reserved	Read as zero.
23	1	—	Reserved	Read as zero. Reserved for future status page expansion.
22	1	L	LSTAT1	This bit is set when any bit in LP_ISTAT1 is set.
21-19	3	—	Reserved	Read as zero.
18	1	E	GFC_LINK	Set when three consecutive received cells have GCF SET_A, SET_B, or HALT bits set.
17	1	L	RSM_RUN	Set when the reassembly machine is running. Will be high when the RSM coprocessor is processing a cell.
16	1	L	RSM_HS_WRITE	Indicates reassembly host status has been written by the RS8234 to status queues 0 through 15. For queue number, read HOST_ST_WR which must be read in order to clear status bit.
15	1	E	RSM_LS_WRITE	Indicates that a reassembly local status queue has been written by the RS8234.
14-12	3	—	Reserved	Read as zero.

Bit	Field Size	Type	Name	Description
11	1	L	SEG_RUN	Set when the segmentation machine is running. Will be high when SEG_ENABLE bit in SEG_CTRL is high or when processing the last cell after SEG_ENABLE is set low.
10	1	L	SEG_HS_WRITE	Indicates segmentation host status has been written by the RS8234 to status queues 0 through 15. For queue number, read HOST_ST_WR, which must be read in order to clear status bit.
9	1	E	SEG_LS_WRITE	Indicates that a segmentation local status queue has been written by the RS8234.
8-4	5	—	Reserved	Read as zero.
3	1	E	AAL5_DSC_RLOVR	Set on the occurrence of an AAL5_DSC_CNT rollover.
2	1	E	CELL_DSC_RLOVR	Set on the occurrence of a CELL_DSC_CNT rollover.
1	1	E	CELL_RCVD_RLOVR	Set on the occurrence of a CELL_RCVD_CNT rollover.
0	1	E	CELL_XMIT_RLOVR	Set on the occurrence of a CELL_XMIT_CNT rollover.

0x1e4 -Local Processor Interrupt Status Register 1 (LP_ISTAT1)

Bit	Field Size	Type	Name	Description
31	1	L	PCI_BUS_EROR	This bit is set if the MERROR bit in the PCI configuration register is set. The MERROR bit is reset by either writing a logic 1 to the MERROR bit in the PCI configuration register, or setting the CONFIG0(PCI_ERR_RESET) bit to a logic high.
30-27	4	—	Reserved	Read as zero.
26	1	E	DMA_AFULL	Set when the incoming DMA burst FIFO becomes almost full.
25	1	E	FR_PAR_ERR	Set on the occurrence of a parity error on the reassembly ATM physical interface.
24	1	E	FR_SYNC_ERR	Set on the occurrence of a synchronization error on the reassembly ATM physical interface.
23-16	8	—	Reserved	Read as zero.
15	1	E	RS_QUEUE_FULL	Reassembly/segmentation queue full condition.
14	1	E	RSM_OVFL	Reassembly overflow. Indicates that a cell was lost due to a FIFO full condition.
13	1	E	RSM_HS_FULL	Set on the occurrence of a host status queue full condition.
12	1	E	RSM_LS_FULL	Set on the occurrence of a local status queue full condition.
11	1	E	RSM_HF_EMPT	Set on the occurrence of a host free buffer queue empty condition.
10	1	E	RSM_LF_EMPT	Set on the occurrence of a local free buffer queue empty condition.
9-3	7	—	Reserved	Read as zero.
2	1	E	SEG_UNFL	Segmentation underflow indicates that a scheduled cell could not be sent due to lack of PCI bandwidth.
1	1	E	SEG_HS_FULL	Indicates that the segmentation host status queue is full.
0	1	E	SEG_LS_FULL	Indicates that the segmentation local status queue is full.

0x1f0 - Local Processor Interrupt Mask Register 0 (LP_IMASK0)

This register contains the interrupt enables that correspond to the status in the LP_ISTAT0 register. The assertion of the HRST* system reset pin clears all of the LP_IMASK0 interrupt enables.

Bit	Field Size	Name	Description
31	1	EN_RTC_OVFL	Enables an interrupt when RTC_OVFL status is a logic high.
30	1	EN_ALARM1	Enables an interrupt when ALARM1 status is a logic 1.
29	1	Reserved	Set to zero.
28	1	EN_LP_MBOX_WRITTEN	Enables an interrupt when LP_MBOX_WRITTEN status is a logic 1.
27	1	EN_HOST_MBOX_READ	Enables an interrupt when HOST_MBOX_READ status is a logic 1.
26	1	Reserved	Set to zero.
25-24	2	Reserved	Set to zero.
23	1	Reserved	Set to zero. Reserved for future status page expansion.
22	1	EN_LSTAT1	Global interrupt enable for LP_ISTAT1 status register. Individual interrupts of LP_ISTAT1 are enabled in LP_IMASK1.
21-19	3	Reserved	Set to zero.
18	1	EN_GFC_LINK	Enables an interrupt when GFC_LINK status is a logic 1.
17	1	EN_RSM_RUN	Enables an interrupt when RSM_RUN status is a logic 1.
16	1	EN_RSM_HS_WRITE	Enables an interrupt when RSM_HS_WRITE status is a logic high.
15	1	EN_RSM_LS_WRITE	Enables an interrupt when RSM_LS_WRITE status is a logic high.
14-12	3	Reserved	Set to zero.
11	1	EN_SEG_RUN	Enables an interrupt when SEG_RUN status is a logic high.
10	1	EN_SEG_HS_WRITE	Enables an interrupt when SEG_HS_WRITE status is a logic high.
9	1	EN_SEG_LS_WRITE	Enables an interrupt when SEG_LS_WRITE status is a logic high.
8-4	5	Reserved	Set to zero.
3	1	EN_AAL5_DSC_RLOVR	Enables an interrupt when AAL4_DSC_RLOVR status is a logic high.
2	1	EN_CELL_DSC_RLOVR	Enables an interrupt when CELL_DSC_RLOVR status is a logic high.
1	1	EN_CELL_RCVD_RLOVR	Enables an interrupt when CELL_RCVD_RLOVR status is a logic high.
0	1	EN_CELL_XMIT_RLOVR	Enables an interrupt when CELL_XMIT_RLOVR status is a logic high.

0x1f4 - Local Processor Interrupt Mask Register 1 (LP_IMASK1)

This register contains the interrupt enables that correspond to the statuses in the LP_ISTAT1 register. The assertion of the HRST* system reset pin will clear all of the LP_IMASK1 interrupt enables.

Bit	Field Size	Name	Description
31	1	EN_PCI_BUS_ERROR	Enables an interrupt when PCI_BUS_ERROR status is a logic 1.
30-27	4	Reserved	Set to zero.
26	1	EN_DMA_AFULL	Enables an interrupt when DMA_AFULL status is a logic 1.
25	1	EN_FR_PAR_ERR	Enables an interrupt when FR_PAR_ERR status is a logic 1.
24	1	EN_FR_SYNC_ERR	Enables an interrupt when FR_SYNC_ERR status is a logic 1.
23-16	8	Reserved	Set to zero.
15	1	EN_RSQUEUE_FULL	Enables an interrupt when RSQUQUQ_FULL status is a logic 1.
14	1	EN_RSM_OVFL	Enables an interrupt when RSM_OVFL status is a logic 1.
13	1	EN_RSM_HS_FULL	Enables an interrupt when RSM_HS_FULL status is a logic high.
12	1	EN_RSM_LS_FULL	Enables an interrupt when RSM_LS_FULL status is a logic high.
11	1	EN_RSM_HS_EMPT	Enables an interrupt when RSM_HS_EMPT status is a logic high.
10	1	EN_RSM_LS_EMPT	Enables an interrupt when RSM_LS_EMPT status is a logic high.
9-3	7	Reserved	Set to zero.
2	1	EN_SEG_UNFL	Enables an interrupt when SEG_UNFL status is a logic high.
1	1	EN_SEG_HS_FULL	Enables an interrupt when SEG_HS_FULL status is a logic high.
0	1	EN_SEG_LS_FULL	Enables an interrupt when SEG_LS_FULL status is a logic high.

13.7 PCI Bus Interface Registers

In accordance with the PCI Bus Specification, Revision 2.1, the SAR PCI bus interface implements a 128-byte configuration register space. These configuration registers are used by the host processor to initialize, control, and monitor the PCI bus interface logic. The complete definitions of these registers and the relevant fields within them are given in the PCI bus specification, and are not repeated here. The implementation of the configuration space registers in the RS8234 is shown in the table directly below. Descriptions of fields and other registers within the PCI configuration space are shown in the tables following.

PCI Configuration Register

Byte Addr	PCI Configuration Register Layout																															
	31	30	29	28	27	26	25	24	23	22	21	20	19	18	17	16	15	14	13	12	11	10	9	8	7	6	5	4	3	2	1	0
0x00	DEVICE_ID (0x8234)																VENDOR_ID (0x14F1)															
0x04	STATUS																COMMAND															
0x08	CLASS_CODE (0x020300)																								REV_ID (0x00)							
0x0c	Reserved								HEADER_TYPE (0x00)								LAT_TIMER								CACHE_LINE_SIZE (0x00)							
0x10	BASE_ADDRESS_REGISTER_0																															
0x14-0x28	Reserved																															
0x2c	SUBSYSTEM_ID (SID)																SUBSYSTEM_VENDOR_ID (SVID)															
0x30	Reserved																															
0x34	Reserved																								CAPABILITY_PTR (0x50)							
0x38	Reserved																															
0x3c	MAX_LATENCY (0x05)								MIN_GRANT (0x02)								INTERRUPT_PIN (0x01)								INTERRUPT_LINE							
0x40	SPECIAL_STATUS_REGISTER																															
0x44	MASTER_READ_ADDR																															
0x48	MASTER_WRITE_ADDR																															
0x4c	EEPROM_REGISTER																															
0x50	PM_CAPABILITY																NEXT_CAP_PTR								CAPABILITY_ID (0x01)							
0x54	PM_DATA								Reserved								PMCSR															
0x58-0x7c	Reserved (0x00000000)																															

PCI Configuration Register Field Descriptions

Field Name	Description/Function
DEVICE_ID	16-bit device identifier. Serves to uniquely identify the SAR to the host operating system. Set to 0x8234.
VENDOR_ID	16-bit vendor identifier code, allocated on a global basis by the PCI Special Interest Group. Set to 0x14F1.
STATUS	PCI bus interface status register. The PCI host can monitor its operation using the STATUS field. This field is further divided into subfields as shown below. These bits can be reset by writing a logic high to the appropriate bit. See the Status register below for a description of the bits in the register.
COMMAND	PCI bus interface control/command register. The PCI host can configure the SAR bus interface logic using the COMMAND field. This field is further divided into subfields as shown below. Active HRST* input causes all bits to be a logic 0. See the Command register below for a description of the bits in the register.
CLASS_CODE	The CLASS_CODE register is read-only and is used to identify the generic function of the device. See PCI Bus Specification, Revision 2.1 for the specific allowed settings for this field. Set to 0x020300 (indicates a network controller, specifically an ATM controller).
REV_ID	Revision ID code for the RS8234 chip: 0=Rev A, 1=Rev B, 2=Rev C.
HEADER_TYPE	This field identifies the layout of the second part of the predefined header of the PCI Configuration space (beginning at 0x10). See PCI Bus Specification, Revision 2.1 for the specific possible settings for this field. Set to 0x00.
LAT_TIMER	Latency timer. Value after HRST* active is 0x00. All bits are writable. The suggested value is 0x10 in order to allow the complete transfer of a cell.
CACHE_LINE_SIZE	This read/write register specifies the system cacheline size in units of 32-bit words. Must be initialized to 0x00 at initialization and reset.
BASE_ADDRESS_REGISTER_0	Base address of PCI address space occupied by the RS8234 (as seen and assigned by the host processor). Value after HRST* active is 0x00. The upper 9 bits are writeable, resulting in an 8 Mbyte address space.
SUBSYSTEM_ID (SID)	This register value is used to uniquely identify the add-in board or subsystem where the PCI device resides. Thus, it provides a mechanism for add-in card vendors to distinguish their cards from one another even though the cards may have the same PCI controller on them (and therefore the same DEVICE_ID).
SUBSYSTEM_VENDOR_ID (SVID)	This register value is used to uniquely identify the vendor of an add-in board or subsystem where the PCI device resides. Thus, it provides a mechanism for add-in card vendors to distinguish their cards from one another even though the cards can have the same PCI controller on them (and therefore the same VENDOR_ID).
CAPABILITY_PTR	This field provides an offset into the PCI Configuration space for the location of the first item in the Capabilities Linked List. Set to 0x50.
MAX_LATENCY	This read-only register specifies how often the RS8234 device needs to gain access to the PCI bus, assuming a clock rate of 33 MHz. Set to 0x02 (a period of time in units of 1/4 microseconds).
MIN_GRANT	This read-only register specifies how long of a burst period the RS8234 device needs to gain access to the PCI bus. Set to 0x02 (a period of time in units of 1/4 microseconds).
INTERRUPT_PIN	This read-only register tells which interrupt pin the device (or device function) uses. Set to 0x01 (corresponds to interrupt pin INTA#).
INTERRUPT_LINE	Interrupt line identifier. The value in this register tells which input of the system interrupt controller(s) the device's interrupt pin is connected to. The device itself does not use this value; rather, it is used by device drivers and operating systems.

Field Name	Description/Function
SPECIAL_STATUS_REGISTER	Device status not defined by the PCI specification. The field is further subdivided into subfields as shown in the Special Status register below. Detailed descriptions of these subfields can be found in the PCI bus specification. The configuration registers are accessed starting from byte address 0 in the configuration space allotted to an adapter card containing the SAR chip. Access to the configuration registers is available only to the PCI host CPU, and is independent of all other SAR logic.
MASTER_READ_ADDR	Current read target address used by PCI bus master (read only).
MASTER_WRITE_ADDR	Current write target address used by PCI bus master (read only).
EEPROM_REGISTER	A 32-bit register controlling access to the Serial EEPROM. See for a description of the specific fields in the EEPROM_REGISTER.
PM_CAPABILITY	Power Management Capabilities register. A 16-bit read-only register which provides information on the capabilities of the function related to Power Management. See the PCI Bus Power Management Interface Specification, Revision 1.0 for specific information related to this register.
NEXT_CAP_PTR	Next Item Pointer register. This field provides an offset into the PCI Configuration space pointing to the location of the next item of the linked capability list. If there are no additional items in the Capabilities List, this register is set to 0x00.
CAPABILITY_ID	Capability Identifier. When set to 0x01, indicates that the linked list item being pointed to is the PCI Power Management registers. Default value is 0x01.
PM_DATA	Power Management Data register. This 8-bit read-only register provides a mechanism for the Power Management function to report state-dependent operating data, such as power consumed or heat dissipation. See the PCI Bus Power Management Interface Specification, Revision 1.0 for specific information related to this register.
PMCSR	Power Management Control/Status register. This 16-bit register is used to manage the PCI function's power management state, as well as to enable and monitor power management events. See the PCI Bus Power Management Interface Specification, Revision 1.0 for specific information related to this register.

PCI Command Register

Bit	Field Size	Name	Description
15-10	6	Reserved	Set to 0x000.
9	1	FB_EN	Master Fast Back-to-back enable across target.
8	1	SE_EN	SERR* pin output enable.
7	1	Reserved	Set to zero.
6	1	PE_EN ⁽¹⁾	Parity Error detection and report enable.
5-3	3	Reserved	Set to zero.
2	1	M_EN ⁽¹⁾	Master enable. M_EN must be asserted (i.e., set to one) before the RS8234 can act as master on the PCI bus.
1	1	MS_EN ⁽¹⁾	Memory Space enable. MS_EN must be asserted (i.e., set to one) before the RS8234 address space (registers and memory) can be accessed across the PCI interface.
0	1		I/O Space enable. (Not used.) Set to zero.
⁽¹⁾ May be loaded from EEPROM.			

PCI Status Register

Bit	Field Size	Name	Description
31	1	DPE	Parity Error Detected.
30	1	SSE	Signalled System Error. (Device asserted SERR*.)
29	1	RMA	Received Master Abort. (Device Master aborted transfer.)
28	1	RTA	Received Target Abort. (Detected target abort as master.)
27	1		Target aborted as slave.
26-25	2		Devsel Speed (00 Fast).
24	1	DPR	Reported Data Parity Error. (Parity error detected as master).
23	1		Fast Back-to-back supported as Slave. Set to one.
22	1		UDF Support. Set to zero.
21	1		66 MHz Support. Set to zero.
20	1	NEW_CAP	Capability List Support. This bit indicates whether this function implements a list of extended capabilities defined in PCI Bus Spec., Revision 2.1, such as PCI Power Management. When set to one, indicates the presence of New Capabilities. A value of 0 indicates that this function does not implement New Capabilities. Set to one. ⁽¹⁾
19-16	4	Reserved	Set to 0x0.
⁽¹⁾ May be set to zero from EEPROM.			

PCI Special Status Register

Bit	Field Size	Name	Description
31	1	EN_SID_WR	Enable SVID/SID Write. Default=0.
30	1	MSTR_CTRL_SWAP ⁽¹⁾	Enable byte swapping on control words that the SAR writes. Default=low.
29	1	SLAVE_SWAP ⁽¹⁾	Enable byte swapping on control words of a slave write or read access. Default=low.
28-23	6	Reserved	Set to 0b000000.
22-16	7	Memory Size Mask ⁽¹⁾	A 7-bit mask which sets one of a range of values for the size of the PCI address space. Default=0000000. 0000000 = 8 M
15-12	4	Reserved	Set to 0x0.
11	1	INTF_DIS	Master Interface Disabled. If the M_EN bit in the COMMAND field is a logic low, any attempt by the RS8234 to perform a DMA transaction to the PCI bus will result in an error. INTF_DIS and MERROR bits will both be set to a logic high. This bit can be reset by writing a logic high to itself.
10	1	INT_FAIL	Master Interface Failed. Set to a logic high when an internal PCI/DMA synchronization error has occurred. The MERROR bit will also be set to a logic high. This bit can be reset by writing a logic high to itself.
9	1	MERROR	Memory Error. Indicates that the PCI bus master has encountered a fatal error and therefore has halted operation. Set when either RTA, RMA, DPR, INTF_DIS, or INT_FAIL errors occur. This bit can be reset by writing a logic high to itself.
8	1	MRD	Error on Master Read/Write. If a logic high, indicates that the errored transaction was a read and the address of the read is located in the MASTER_READ_ADDR field. If a logic low, indicates the errored transaction was a write and the corresponding address is located in the MASTER_WRITE_ADDR field.
7-0	8	Reserved	Set to 0x00.
⁽¹⁾ May be loaded from EEPROM.			

EEPROM Register

Bit	Field Size	Name	Description
31	1	BUSY	Indicates that an EEPROM operation is currently in progress. This bit must be read as a zero before initiating an EEPROM transfer.
30	1	NO_ACK	When set to a one, indicates that the previous transfer failed (i.e., no hardware address response).
29-24	6	Reserved	Reserved for future use.
23-17	7	HARDWARE_ADDR	The 7-bit hardware address for a transfer that indicates the target of the transfer. The EEPROM has the hardware address of b1010000.
16	1	READ_WRITE	Indicates the desired operation. 0=Write; 1=Read.
15-8	8	BYTE_ADDR	The desired byte address of the EEPROM.
7-0	8	DATA	For writes, the data to be written to the EEPROM. For reads, the data read from the EEPROM.

14.0 SAR Initialization - Example Tables

The following tables provide an example RS8234 SAR initialization of control registers, internal memory control structures, and external memory control structures.

14.1 Segmentation Initialization

14.1.1 Segmentation Control Registers

Before segmentation is enabled, the host must allocate and initialize all of the segmentation control registers. [Table 14-1](#) lists the initial value(s) for each field.

Table 14-1. Table of Values for Segmentation Control Register Initialization

Register	Field	Initialized Value	Notes
SEG_CTRL (Segmentation Control Register)	SEG_ENABLE	0-1	Must be set to a logic low until initialization of all segmentation structures is complete. Set to a logic high to commence segmentation process.
	SEG_RESET	0	Use CONFIG0(GLOBAL_RESET) to initialize the SAR.
	VBR_OFFSET	0	Schedule slot priority equals general priority.
	SEG_GFC	0	Disable segmentation GFC processing.
	DBL_SLOT	1	Enable two word schedule slot entries.
	CBR_TUN	1	Enable CBR traffic scheduling.
	ADV_ABR_TMPLT	1	Enable per-connection MCR & ICR ABR parameters.
	TX_FIFO_LEN	0x4	Set Transmit FIFO depth to four cells.
	CLPO_EOM	0	Disable CLP on EOM processing.
	OAM_STAT_ID	0x10	OAM global status queue set to 16.
	SEG_ST_HALT	0	Disable status queue entry for a VCC halted with a partially segmented buffer.
	SEG_LS_DIS	0	Enable local status queue full check.
	SEG_HS_DIS	0	Enable host status queue full check.
	TX_RND	1	Round robin transmit queue processing selected.
TR_SIZE	0x0	Transmit queue size set to 64 entries.	
SEG_VBASE (SEG Virtual Channel Connection Base Address Register)	SEG_SCHB	0x1A5	Schedule table starts at 0xD280 in SAR shared memory.
	SEG_VCCB	0x17D	SEG VCC table starts at 0xBE80 in SAR shared memory.
SEG_PMBASE (SEG PM Base Address Register)	SEG_BCKB	0x219	VBR bucket table starts at 0x10C80 in SAR shared memory.
	SEG_PMB	0x1AD	PM table starts at 0xD680 in SAR shared memory.
SEG_TXBASE (Segmentation Transmit Queue Base Register)	SEG_TXB	0x13D	Transmit queues start at 0x9E80 in SAR shared memory.
	XMIT_INTERVAL	0x20	Transmit queue update interval set to 32.
	TX_EN	0x8	Transmit queues 0 through 8 are enabled.

14.1.2 Segmentation Internal Memory Control Structures

Before segmentation is enabled, the host must allocate and initialize all of the segmentation internal memory control structures. Table 14-2 lists the initial value(s) for each field.

Table 14-2. Table of Values for Segmentation Internal Memory Initialization

Table	Field	Initialized Value	Notes
SEG_SQ_BASE Table Entry 0 (SEG Status Queue Base Table Entry 0)	BASE_PNTR	0x1C00	Base address of status queue 0 is 0x1C00.
	LOCAL	0	Status queue 0 resides in host memory.
	SIZE	0x0	Size of status queue 0 is 64 entries.
	WRITE	0x0	Must be initialized to zero.
	READ_UD	0x0	Must be initialized to zero.
	Rsvd	0x0	Must be initialized to zero.
SEG_TQ_BASE Table Entry 0 (SEG Transmit Queue BASE Table Entry 0)	READ_UD_PNTR	0x40	Location of READ_UD is at 0x100.
	LOCAL	0	READ_UD located in host memory.
	UPDATE	0x0	Must be initialized to zero.
	READ	0x0	Must be initialized to zero.
	Rsvd	0x0	Must be initialized to zero.

14.1.3 Segmentation SAR Shared Memory Control Structures

Before segmentation is enabled, the host must allocate and initialize all of the segmentation SAR shared memory control structures. Table 14-3 lists the initial value(s) for each field.

Table 14-3. Table of Values for Segmentation SAR Shared Memory Initialization (1 of 2)

Table	Field	Initialized Value	Notes
SEG VCC Table Entry 0 - (Words 0 - 6)	PM_INDEX	0x0	PM Table Index = 0.
	LAST_PNTR	0x0	Must be initialized to zero.
	ATM_HEADER	0x00100100	ATM Header, VPI = 0x1, VCI = 0x10.
	CRC_REM	0xFFFF_FFFF	Must be initialized to 0xFFFF_FFFF for AAL5 channels.
	BETAG	0	First AAL3/4 BTag/ETag pair will be zero.
	SN	0	First AAL3/4 SN = 0.
	MID	5	AAL3/4 MID = 5.
	STM_MODE	0	Status Message Mode enabled.
	STAT	0x2	Channel will use status queue 2.
	PM_EN	1	PM OAM processing enabled.
	CURR_PNTR	0x0	Must be initialized to zero.
	VPC	0	VCC connection.
	GFR_PRI	0x2	GFR UBR Priority is 2.
	SCH_MODE	0x4	Channel configured for VBR traffic.
	PRI	0x3	Schedule priority is 3.
SCH_OPT	1	Send maximum burst.	
Rsvd	0x0	Must be initialized to zero.	
SEG Buffer Descriptors			(No initialization required.)
SEG Transmit Queue Entries	VLD	0	Must be initialized to zero.
	LINK_HEAD	0	Must be initialized to zero.
	FND_CHAIN	0	Must be initialized to zero.
	SEG_BD_PNTR	0x0	Must be initialized to zero.
	Rsvd	0x0	Must be initialized to zero.

Table 14-3. Table of Values for Segmentation SAR Shared Memory Initialization (2 of 2)

Table	Field	Initialized Value	Notes
SEG Status Queue Entries	USER_PNTR	0x0	Must be initialized to zero.
	VLD	0	Must be initialized to zero.
	STOP	0	Must be initialized to zero.
	DONE	0	Must be initialized to zero.
	SINGLE	0	Must be initialized to zero.
	OVFL	0	Must be initialized to zero.
	I_EXP	0x0	Must be initialized to zero.
	I_MAN	0x0	Must be initialized to zero.
	SEG_VCC_INDEX	0x0	Must be initialized to zero.
	Rsvd	0x0	Must be initialized to zero.
SEG_PM Table Entry 0	ATM_HEADER	0x00100108	VPI=0x1, VCI=0x10, PTI=4 (F5 segment).
	FWD_TUC0	0x0	Must be initialized to zero.
	FWD_TUC01	0x0	Must be initialized to zero.
	BCK_MSN	0x0	Must be initialized to zero.
	BCK_TUC0	0x0	Must be initialized to zero.
	BCK_TUC01	0x0	Must be initialized to zero.
	TRCC0	0x0	Must be initialized to zero.
	TRCC0+1	0x0	Must be initialized to zero.
	BIP	0x0	Must be initialized to zero.
	FWD_MON	1	Forward Monitoring cell generation enabled.
	BLOCK_SIZE	10	PM OAM block size of 512.
	FWD_MSN	0x3	Initial sequence number is 3.
	Rsvd	0x0	Must be initialized to zero.

14.2 Scheduler Initialization

14.2.1 Scheduler Control Registers

Before segmentation is enabled, the host must allocate and initialize all of the Scheduler control registers. [Table 14-4](#) lists the initial value(s) for each field.

Table 14-4. Table of Values for Scheduler Control Register Initialization

Register	Field	Initialized Value	Notes
SCH_PRI (Schedule Priority Register)	TUN_ENA7-0	0	No tunnels enabled.
	GFC7-0	0	No GFC priorities enabled.
	QPCR_ENA7-0	0x04	Enable PCR limits on queue 2.
SCH_SIZE (Schedule Size Register)	TBL_SIZE	0x80	Schedule Table consists of 128 entries.
	SLOT_PER	0x5B	Schedule slot period is 91 SYSCLK periods.
SCH_ABR_MAX (Schedule Maximum ABR Register)	VCC_MAX	0x63	Enable 50 channels of ABR processing.
PCR_QUE_INT01 (PCR Queue Interval 0 & 1 Register)	QPCR_INT0	0x0	Not used since only one global PCR queue enabled.
	QPCR_INT1	0x0	Not used since only one global PCR queue enabled.
PCR_QUE_INT_23 (PCR Queue Interval 2 & 3 Register)	QPCR_INT2	0x0	Not used since only one global PCR queue enabled.
	QPCR_INT3	0x16C	PCR interval = 364 schedule slots.
SCH_ABR_CON (Schedule ABR Constant Register)	ABR_TRM	0x23C	Set TRM to TM 4.1 default of 100 msec.
	ABR_ADTF	0xB2E	Set ADTF to TM 4.1 default of .5 second.
SCH_ABRBASE (ABR Decision Table Lookup Base Reg)	OOR_ENA	1	Enable out-of-rate ABR RM cells.
	OOR_INT	0x1C9D	Produces an out-of-rate interval of one cell per second.
	SCH_ABRB	0x1D1	ABR Table starts at 0xE880 in SAR shared memory.
SCH_CNG (ABR Congestion Register)	FBO_CNG	0x0	No congestion experienced.

14.2.2 Scheduler Internal Memory Control Structures

There are no internal memory scheduler structures that need to be initialized.

14.2.3 Scheduler SAR Shared Memory Control Structures

Before segmentation is enabled, the host must allocate and initialize all of the scheduler SAR shared memory control structures. [Table 14-5](#) lists the initial value(s) for each field.

Table 14-5. Table of Values for Sch SAR Shared Memory Initialization (1 of 2)

Table	Field	Initialized Value	Notes
Schedule Table (CBR slot)	CBR	1	Slot will schedule a CBR channel.
	CBR_VCC_INDEX	0x0	Schedule seg_vcc_index = 0 channel as CBR.
	Rsvd	0xF	Set all reserved bits to one.
Schedule Table (Tunnel slot)	CBR	0	Slot will schedule a tunnel.
	PRI	0x3	Tunnel Priority Queue = 3.
	Rsvd	0xF	Set all reserved bits to one.
Schedule Table (DEFAULT)	Rsvd	0xF	Set all reserved bits to one.
SEG VCC Table Entry for VBR (Words 7 - 8)	BUCKET2	0x4	Offset of four into Bucket Table for VBR2 parameters.
	L1_EXP	0xB	
	L1_MAN	0x0	GCRA L = 2.
	I1_EXP	0xB	
	I1_MAN	0x100	GCRA I = 3.
	Rsvd	0x0	Must be initialized to zero.
Bucket Table Entry	L2_EXP	0xA	
	L2_MAN	0x0	GCRA L = 1.
	I2_EXP	0xB	
	I2_MAN	0x0	GCRA I = 2.
	Rsvd	0x0	Must be initialized to zero.
SEG VCC Table Entry for GFR (Words 7 - 9) (NOTE: Set PRI_GFR lower than PRI in word 6).	MCRLIM_IDX	0x3	Offset of 3 into GFR MCR_Limit table.
	L1_EXP	0xF	
	L1_MAN	0x0	GCRA L = 32.
	I1_EXP	0xF	
	I1_MAN	0x120	GCRA I = 50. (Provides MCR ~ 3 Mbps.)
	Rsvd	0x0	Must be initialized to zero.

Table 14-5. Table of Values for Sch SAR Shared Memory Initialization (2 of 2)

Table	Field	Initialized Value	Notes
SEG VCC Table Entry for ABR (Words 7 - 19)	CONG_ID	0x1	Channel associated with RSM free buffer queue 1 for host congestion indication.
	OOR_PRI	0x2	Out-of-rate RM cells assigned to priority queue 2.
	CRM	0x14	TM 4.1 CRM parameter set to 20.
	MCR_INDEX	-	Output of ABR template.
	ICR_INDEX	-	Output of ABR template.
	FWD_ID	0x01	Forward RM cell ID field set to one.
	FWD_DIR	0	Forward RM cell DIR field set to zero.
	FWD_BN	0	Forward RM cell BN field set to zero.
	FWD_CI	0	Forward RM cell CI field set to zero.
	FWD_NI	0	Forward RM cell NI field set to zero.
	FWD_RA	0	Forward RM cell RA field set to zero.
	FWD_ER	0x64BF	Forward RM cell ER field set to approximately 360,000 cells per second.
	Rsvd	0x0	Must be initialized to zero.
	(ALL OTHER FIELDS)	-	Direct output of ABR template.
ABR Cell Decision Block	(ALL FIELDS)	-	Direct output of ABR template.
ABR Rate Decision Block	(ALL FIELDS)	-	Direct output of ABR template.
Exponent Table	(ALL FIELDS)	-	Direct output of ABR template.

14.3 Reassembly Initialization

14.3.1 Reassembly Control Registers

Before reassembly is enabled, the host must allocate and initialize all of the reassembly control registers. [Table 14-6](#) lists the initial value(s) for each field.

Table 14-6. Table of Values for Reassembly Control Register Initialization (1 of 2)

Register	Field	Initialized Value	Notes
RSM_CTRL0 (Reassembly Control Register 0)	RSM_ENABLE	0-1	Must be set to a logic low until initialization of all reassembly structures is complete. Set to a logic high to commence reassembly process.
	RSM_RESET	0	Use CONFIG0(GLOBAL_RESET) to initialize the SAR.
	VPI_MASK	1	UNI VPI space selected.
	RSM_PHALT	0	RSM halt on receive parity error disabled.
	FWALL_EN	1	Firewall function enabled.
	RSM_FBO_DIS	0	Free buffer queue underflow protection enabled.
	RSM_STAT_DIS	0	Status queue overflow protection enabled.
	GTO_EN	1	Enable internal time-out interrupt.
	MAX_LEN	0x10	AAL5 max CPCS-PDU length = 16,384 bytes.
	GDPRI	0x4	Global Service Discard Priority = 4.
Rsvd	0x0	Must be initialized to zero.	
RSM_CTRL1 (Reassembly Control Register 1)	OAM_FF_DSC	1	OAM cells discarded when Incoming DMA FIFO almost full.
	OAM_EN	1	OAM detection enabled.
	OAM_QU_EN	1	Global OAM FB and Stat queues enabled.
	OAM_BFR_QU	0x4	Global OAM free buffer queue = 4.
	OAM_STAT_QU	0x4	Global OAM status queue = 4.
	Rsvd	0x0	Must be initialized to zero.
RSM_FQBASE (RSM Free Buffer Queue Base Register)	FBO1_BASE	0xB0	Free buffer queue bank 1 starts at 0x5800 in SAR shared memory.
	FBO0_BASE	0x30	Free buffer queue bank 0 starts at 0x1800 in SAR shared memory.

Table 14-6. Table of Values for Reassembly Control Register Initialization (2 of 2)

Register	Field	Initialized Value	Notes
RSM_FQCTRL (RSM Free Buffer Queue Control Register)	FBQ_SIZE	0x0	Free buffer queue size is 64 entries.
	FWD_RND	1	Free buffer queues are processed in round robin fashion for credit return.
	FBQ0_RTN	0	Free buffer queue bank 0 selected for buffer return processing.
	FWD_EN	0x4	Free buffers queues 0 through 4 enabled for buffer return processing.
	FBQ_UD_INT	0x20	Free buffer queue update interval set to 32.
	Rsvd	0x0	Must be initialized to zero.
RSM_TBASE (RSM Table Base Register)	RSM_VCCB	0x105	RSM VCC Table starts at 0x8280 in SAR shared memory.
	RSM_ITB	0xF0	VPI Index Table starts at 0x7800 in SAR shared memory.
RSM_TO (RSM Time-out Register)	RSM_TO_PER	0x100	Internal time-out interrupt every 256 SYSCLK periods.
	RSM_TO_CNT	0x10	RSM VCC Table entries 0 through 16 enabled for time-out processing.
RS_QBASE (RSM/SEG Queue Base Register)	RS_SIZE	0x0	RSM/SEG Queue size is 256 entries.
	RS_QBASE	0x12D	RSM/SEG Queue starts at 0x9680 in SAR shared memory.
	Rsvd	0x0	Must be initialized to zero.

14.3.2 Reassembly Internal Memory Control Structures

Before reassembly is enabled, the host must allocate and initialize all of the reassembly internal memory control structures. Table 14-7 lists the initial value(s) for each field.

Table 14-7. Table of Values for Reassembly Internal Memory Initialization

Table	Field	Initialized Value	Notes
RSM_SQ_BASE Table Entry 0 (RSM Status Queue Base Table Entry 0)	BASE_PNTR	0x1800	Base address of RSM status queue 0 is 0x6000.
	LOCAL	0	Status queue 0 resides in host memory.
	SIZE	0x0	Size of status queue 0 is 64 entries.
	WRITE	0x0	Must be initialized to zero.
	READ_UD	0x0	Must be initialized to zero.
	Rsvd	0x0	Must be initialized to zero.
RSM_FBQ_BASE Table Entry 0 (RSM Free Buffer Queue Base Table Entry 0)	READ_UD_PNTR	0x0	Location of READ_UD is at 0x0.
	BD_LOCAL	0	Buffer descriptors and READ_UD located in host memory.
	BFR_LOCAL	0	Buffers located in host memory.
	EMPT	0	Must be initialized to zero.
	UPDATE	0x0	Must be initialized to zero.
	READ	0x0	Must be initialized to zero.
	FORWARD	0x20	32 free buffers initially put on free buffer queue.
	LENGTH	0x200	Buffer lengths in free buffer queue 0 are 200 bytes.
	Rsvd	0x0	Must be initialized to zero.
Global Time-out Table	TERM_TOCNT0	0x400	Provides a 133 ms time-out period.
	TERM_TOCNT1	0xFFFF	Provides an 8.5 sec time-out period.
	TERM_TOCNT2	0x400	Provides a 133 ms time-out period.
	TERM_TOCNT3	0x400	Provides a 133 ms time-out period.
	TERM_TOCNT4	0x400	Provides a 133 ms time-out period.
	TERM_TOCNT5	0x400	Provides a 133 ms time-out period.
	TERM_TOCNT6	0x400	Provides a 133 ms time-out period.
	TERM_TOCNT7	0x400	Provides a 133 ms time-out period.
	TO_VCC_INDEX	0x0	Must be initialized to zero.
	Rsvd	0x0	Must be initialized to zero.

14.3.3 Reassembly SAR Shared Memory Control Structures

Before reassembly is enabled, the host must allocate and initialize all of the reassembly SAR shared memory control structures. Table 14-8 lists the initial value(s) for each field.

Table 14-8. Table of Values for Reassembly SAR Shared Memory Initialization (1 of 4)

Table	Field	Initialized Value	Notes
VPI Index Table Entry 0	VP_EN	1	VPI=0 enabled. NOTE: All entries in the VPI Index table must be initialized. If VPI is disabled, set VP_EN = 0.
	VCI_RANGE	0x10	Allowable VCI range is 0 to 0x43F.
	VCI_IT_PNTR	0x2014	VCI Index Table is located at 0x8050 in SAR shared memory.
VCI Index Table Entry 0	VCC_BLOCK_PNTR	0x0	Initial block of 64 VCC Table entries is 0.
	Rsvd	0x0	Must initialized to zero.
RSM VCC Table Entry 0	FF_DSC	1	Enable FIFO Full EPD.
	VC_EN	1	Table Entry is enabled. NOTE: All VCC Table entries that have a path through the VPI/VCI lookup space must be initialized. If entry is disabled, set VC_EN=0.
	AAL_TYPE	0x0	Channel configured for AAL5.
	DPRI	0x2	Channel service discard priority set to 2.
	TO_INDEX	0x1	Point to TERM_TOCNT1 global time-out value.
	PM_INDEX	0x2	Channel used entry 2 of PM_OAM table.
	AAL_EN	0x082	Message Status mode and Frame Relay Discard enabled.
RSM VCC Table Entry 0	TO_LAST	0	Not last VCC entry processed for time-out.
	TO_EN	1	Time-out processing enabled on this channel.
	CUR_TOCNT	0x0	Must be initialized to zero.
	ABR_CTRL	0x0	No ABR service enabled on this channel.
	PDU_FLAGS	0x002	Must be initialized to two.
	TOT_PDU_LEN	0x0	Must be initialized to zero.
	CRC_REM	0xFFFF_FFFF	Must be initialized to 0xFFFF_FFFF for AAL5 channels.
	BASIZE	0x0	Must be initialized to zero. (For AAL3/4 only.)
	NEXT_ST	0x2	Must be initialized to two. (For AAL3/4 only.)
NEXT_SN	0x0	Must be initialized to zero. (For AAL3/4 only.)	

Table 14-8. Table of Values for Reassembly SAR Shared Memory Initialization (2 of 4)

Table	Field	Initialized Value	Notes
RSM VCC Table Entry 0	BTAG	0x0	Must be initialized to zero. (For AAL3/4 only.)
	STAT	0x1	Channel uses status queue 1.
	BFR1	0x11	Channel uses free buffer queue 17 for COM buffers.
	BFR0	0x1	Channel uses free buffer queue 1 for BOM buffers.
	SEG_VCC_INDEX	0x4	Corresponding seg channel = 4 for PM_OAM and ABR service.
	SERV_DIS	0x0	Must be initialized to zero.
	RX_COUNTER	0x100	Initial firewall credit = 256.
	Rsvd	0x0	Must be initialized to zero.
RSM AAL3/4 Head VCC Table Entry	VC_EN	1	Table entry is enabled.
	AAL_TYPE	0x2	Channel configured for AAL3/4.
	FF_DSC	1	Enable FIFO Full EPD.
	PM_INDEX	0x2	Channel used entry 2 of PM_OAM Table.
	AAL_EN	0x084	Enable buffer descriptor linking.
	TO_LAST	0	Not last VCC entry processed for time-out.
	TO_EN	0	Must be initialized to zero.
	MID0	1	Allow MID value of zero.
	MID_BITS	0x5	Allow MID values up to 31.
	CRC10_EN	1	Enable CRC10 field checking and error counting.
	LI_EN	1	Enable LI field checking and error counting.
	ST_EN	1	Enable ST field checking and error counting.
	SN_EN	1	Enable SN field checking and error counting.
	CPI_EN	1	Enable CPI field checking.
	BAT_EN	1	Enable BASIZE = Length checking.
	BAH_EN	0	Do not check for BASIZE < 37.
ER_EFCI	0	Must be initialized to zero.	

Table 14-8. Table of Values for Reassembly SAR Shared Memory Initialization (3 of 4)

Table	Field	Initialized Value	Notes
RSM AAL3/4 Head VCC Table Entry	ABR_CTRL	0x0	No ABR service enabled on this channel.
	VCC_INDEX	0x0010	AAL3/4 block located at VCC table entry #16.
	STAT	0x1	OAMs use status queue 1.
	BFR1	-	(not applicable.)
	BFR0	0x1	OAMs use free buffer queue 1.
	CRC10_ERR	0	Must be initialized to zero.
	MID_ERR	0	Must be initialized to zero.
	LI_ERR	0	Must be initialized to zero.
	SN_ERR	0	Must be initialized to zero.
	BOM_SSM_ERR	0	Must be initialized to zero.
	EOM_ERR	0	Must be initialized to zero.
	SEG_VCC_INDEX	0x4	Corresponding SEG channel = 4 for PM_OAM and ABR service.
	RX_COUNTER/VPC_INDEX	0x100	Initial firewall credit = 256.
RSM Buffer Descriptors	NEXT_PTR	0x0	Initialization optional.
	BUFF_PNTR	0x2000	Buffer address of 0x2000.
RSM Free Buffer Queue Entries	VLD	0-1	Free buffer queue can be initialized with several free buffers. Valid entries should have VLD=1, and invalid entries should have VLD=0.
	BUFFER_PNTR	0x2000	Buffer address of 0x2000.
	BD_PNTR	0x80	Buffer descriptor address of 0x80.
	FWD_VLD	0	Must be initialized to zero.
	VCC_INDEX	0	Must be initialized to zero.
	Rsvd	0x0	Must be initialized to zero.
RSM Status Queue Entries	VLD	0	Must be initialized to zero.
	(ALL OTHER ENTRIES)	0	Must be initialized to zero.
LECID Table	LECID0-31	0x20	LANE LECID = 32.

Table 14-8. Table of Values for Reassembly SAR Shared Memory Initialization (4 of 4)

Table	Field	Initialized Value	Notes
RSM_PM Table Entry 0	BCNT	0x0	Must be initialized to zero.
	BIP16	0x0	Must be initialized to zero.
	MSN	0x4	First expected MSN in forward monitoring cell is four.
	Rsvd	0x0	Must be initialized to zero.
	TRCC0	0x0	Must be initialized to zero.
	TRCC01	0x0	Must be initialized to zero.

14.4 General Initialization

14.4.1 General Control Registers

Before the SAR is enabled, the host must allocate and initialize all of the general SAR control registers. [Table 14-9](#) lists the initial value(s) for each field.

Table 14-9. Table of Values for General Control Register Initialization (1 of 3)

Register	Field	Initialized Value	Notes
CONFIG0 (Configuration Register 0)	LP_ENABLE	0	Local processor not used.
	GLOBAL_RESET	0-1	This must be toggled to a logic high and back to a logic low after completion of all initialization, but before RSM and SEG coprocessors are enabled.
	PCI_MSTR_RESET	0	Use GLOBAL_RESET to reset SAR.
	PCI_ERR_RESET	0	Must be initialized to zero.
	INT_LBANK	0-1	Should be set to zero during initialization, but set to one after system reset.
	PCI_READ_MULTI	1	PCI Read Multiple Command used.
	PCI_ARB	1	Round robin arbitration of internal read/write PCI master.
	STATMODE	0x0	Selects BOM sync hardware mode.
	FR_RMODE	0	Early RSM header processing enabled.
	FR_LOOP	0	Internal ATM physical interface disabled.
	UTOPIA_MODE	1	Cell handshake mode selected.
	LP_BWAIT	0	Selects zero wait states between consecutive data cycles during local processor.
	MEMCTRL	0	Selects zero wait states SAR shared memory.
	BANKSIZE	0x3	512 KB banks selected.
	DIVIDER	0x0	Divide by 128 selected for CLOCK prescaler.
Rsvd	0x0	Must be initialized to zero.	

Table 14-9. Table of Values for General Control Register Initialization (2 of 3)

Register	Field	Initialized Value	Notes
INT_DELAY (Interrupt Delay Register)	TIMER_LOC	0	Interrupt hold-off timer used with HINT*.
	EN_TIMER	0	Disable status queue interrupt timer delay.
	EN_STAT_CNT	1	Enable status queue interrupt counter delay.
	STAT_CNT[7:0]	0x35	Interrupt delay counter set to 53.
HOST_ST_WR (Host Status Write Register)	RSM_HS_WRITE	—	Read twice after SAR reset.
	RSM_LS_WRITE	—	Read twice after SAR reset.
HOST_ISTAT1 (Host Interrupt Status Register 1)	(ALL)	—	Read twice HOST_ST_WR reset.
HOST_ISTAT0 (Host Interrupt Status Register 0)	(ALL)	—	Read twice HOST_ISTAT1 reset.
LP_ISTAT1 (Local Interrupt Status Register 1)	(ALL)	—	Read twice SAR reset.
LP_ISTAT0 (Local Interrupt Status Register 0)	(ALL)	—	Read twice LP_ISTAT1 reset.
HOST_IMASK1 (Host Interrupt Mask Register 1)	(ALL)	0x8700FC07	Enable all errors to cause an interrupt.
HOST_IMASK0 (Host Interrupt Mask Register 0)	(ALL)	0x4040000F	Enable interrupts in errors, counter relieves and framer interrupt.
LP_IMASK1 (Local Interrupt Mask Register 1)	(ALL)	0x0	Local processor not used.
LP_IMASK0 (Local Interrupt Mask Register 0)	(ALL)	0x0	Local processor not used.
PCI Configuration Space	COMMAND	0x0346	Enable all functions of PCI interface.
	LAT_TIMER	0x10	Latency timer = 16 clock periods.
	BASE_ADDRESS_REGISTER_0	0x01	Base address of SAR device in PCI memory space is 0x0100_0000.
	INTERRUPT_LINE	0x00	Interrupt vector = 0.
	(ALL OTHER FIELDS)	—	Hard-coded reads only.

Table 14-9. Table of Values for General Control Register Initialization (3 of 3)

Register	Field	Initialized Value	Notes
PCI COMMAND Register	FB_EN	1	Enable master fast back-to-back across target.
	SE_EN	1	Enable SERR* output pin.
	PE_EN	1	Enable parity error detection and report.
	M_EN	1	Enable RS8234 device master on the PCI bus.
	MS_EN	1	Enable RS8234 memory space access across the PCI bus.
PCI STATUS Register			(No initialization required.)
PCI SPECIAL_STATUS Register			(No initialization required.)
PCI EEPROM Register			(No initialization required.)

15.0 Electrical and Mechanical Specifications

15.1 Timing

15.1.1 PCI Bus Interface Timing

All PCI bus interface signals are synchronous to the PCI bus clock, HCLK, except for HRST* and HINT*. [Table 15-1](#) provides the PCI bus interface timing parameters. [Figure 15-1](#) and [Figure 15-2](#) illustrate this timing.

Table 15-1. PCI Bus Interface Timing Parameters (1 of 2)

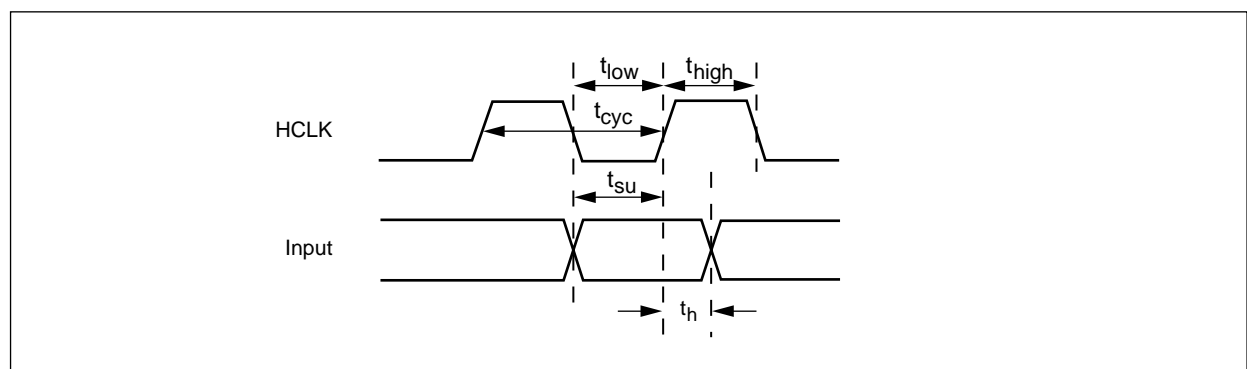
Symbol	Parameter	Min	Max	Units
t_{cyc}	HCLK Cycle Time ⁽¹⁾	30	—	ns
t_{high}	HCLK High Time ⁽¹⁾	11	19	ns
t_{low}	HCLK Low Time ⁽¹⁾	11	19	ns
t_{su}	HAD Input Setup Time to HCLK ⁽¹⁾	7	—	ns
	HC/BE Input Setup Time to HCLK ⁽¹⁾	7	—	ns
	HPAR Input Setup Time to HCLK ⁽¹⁾	7	—	ns
	HFRAME* Input Setup Time to HCLK ⁽¹⁾	7	—	ns
	HIRDY* Input Setup Time to HCLK ⁽¹⁾	7	—	ns
	HTRDY* Input Setup Time to HCLK ⁽¹⁾	7	—	ns
	HSTOP* Input Setup Time to HCLK ⁽¹⁾	7	—	ns
	HDEVSEL* Input Setup Time to HCLK ⁽¹⁾	7	—	ns
	HIDSEL Input Setup Time to HCLK ⁽¹⁾	7	—	ns
	HGNT* Input Setup Time to HCLK ⁽¹⁾	10	—	ns
HPERR* Input Setup Time to HCLK ⁽¹⁾	7	—	ns	
t_h	Input Hold Time from HCLK—All Inputs ⁽¹⁾	0	—	ns

Table 15-1. PCI Bus Interface Timing Parameters (2 of 2)

Symbol	Parameter	Min	Max	Units
t_{val}	HCLK to HAD Valid Delay ⁽²⁾	2	11	ns
	HCLK to HC/BE Valid Delay ⁽²⁾	2	11	ns
	HCLK to HPAR Valid Delay ⁽²⁾	2	11	ns
	HCLK to HFRAME* Valid Delay ⁽²⁾	2	11	ns
	HCLK to HIRDY* Valid Delay ⁽²⁾	2	11	ns
	HCLK to HSTOP* Valid Delay ⁽²⁾	2	11	ns
	HCLK to HDEVSEL Valid Delay ⁽²⁾	2	11	ns
	HCLK to HPERR* Valid Delay ⁽²⁾	2	11	ns
	HCLK to HREQ Valid Delay ⁽²⁾	2	12	ns
	HCLK to HSERR* Valid Delay ⁽²⁾	2	11	ns
	HCLK to STAT Valid Delay ⁽³⁾	2	20	ns
t_{on}	Float to Active Delay—All Three-state Outputs ⁽²⁾	2	—	ns
t_{off}	Active to Float Delay—All Three-state Outputs ⁽²⁾	—	28	ns
$t_{rst-off}$	Reset Active to Output Float Delay	—	40	ns

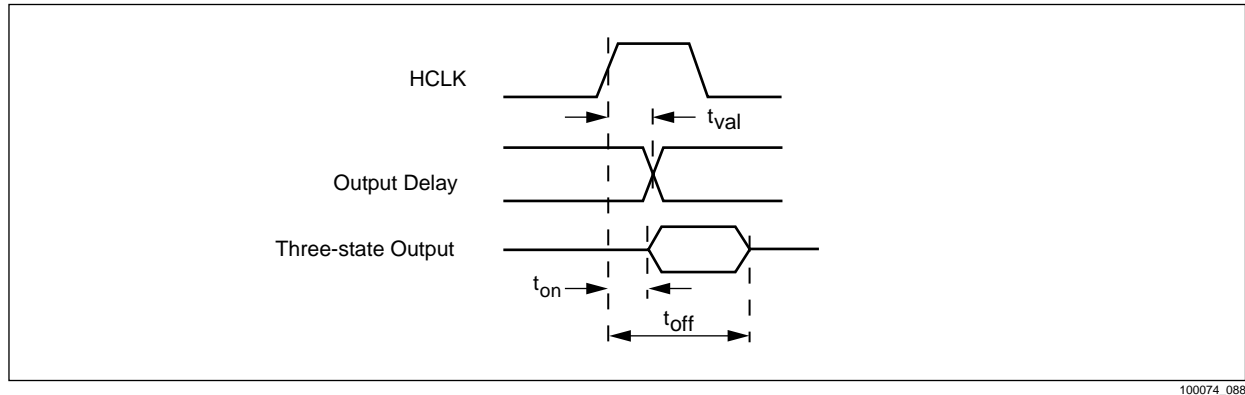
NOTE(S):
 (1) See Figure 15-1 for waveforms and definitions.
 (2) See Figure 15-2 for waveforms and definitions. The maximum output delays are measured with a 50 pF load and the minimum delays are measured with a 0 pF load.
 (3) Applicable when STAT outputs configured as BOM cell synchronization signals.

Figure 15-1. PCI Bus Input Timing Measurement Conditions



100074_087

Figure 15-2. PCI Bus Output Timing Measurement Conditions



100074_088

15.1.2 ATM Physical Interface Timing—UTOPIA and Slave UTOPIA

All ATM physical interface signals are synchronous to the interface clock, FRCTRL, except for TXCLAV and RXCLAV in the slave UTOPIA mode. Timing parameters for the UTOPIA interface are provided in [Table 15-2](#). [Table 15-3](#) provides the timing parameters for the slave UTOPIA interface. Timing diagrams for both interfaces are provided in [Figure 15-3](#) and [Figure 15-4](#).

Table 15-2. UTOPIA Interface Timing Parameters (1 of 2)

Symbol	Parameter	Min	Max	Units
t_{cyc}	FRCTRL Cycle Time ⁽¹⁾	30	—	ns
t_{high}	FRCTRL High Time ⁽¹⁾ (% of t_{cyc})	40	60	%
t_{low}	FRCTRL Low Time ⁽¹⁾ (% of t_{cyc})	40	60	%
t_{su}	RXD Input Setup Time to FRCTRL ⁽¹⁾	10	—	ns
	RXPAR Input Setup Time to FRCTRL ⁽¹⁾	10	—	ns
	RXSOC Input Setup Time to FRCTRL ⁽¹⁾	10	—	ns
	RXCLAV Input Setup Time to FRCTRL ⁽¹⁾	10	—	ns
	TXCLAV Input Setup Time to FRCTRL ⁽¹⁾	10	—	ns
t_h	RXD Input Hold Time from FRCTRL ⁽¹⁾	1	—	ns
	RXPAR Input Hold Time from FRCTRL ⁽¹⁾	1	—	ns
	RXSOC Input Hold Time from FRCTRL ⁽¹⁾	1	—	ns
	RXCLAV Input Hold Time from FRCTRL ⁽¹⁾	1	—	ns
	TXCLAV Input Hold Time from FRCTRL ⁽¹⁾	1	—	ns

15.1 Timing

ATM ServiceSAR Plus with xBR Traffic Management

Table 15-2. UTOPIA Interface Timing Parameters (2 of 2)

Symbol	Parameter	Min	Max	Units
t_{val}	FRCTRL to TXD Valid Delay ⁽²⁾	2	18	ns
	FRCTRL to TXPAR Valid Delay ⁽²⁾	2	18	ns
	FRCTRL to TXSOC Valid Delay ⁽²⁾	2	18	ns
	FRCTRL to TXEN* Valid Delay ⁽²⁾	2	20	ns
	FRCTRL to RXEN* Valid Delay ⁽²⁾	2	20	ns

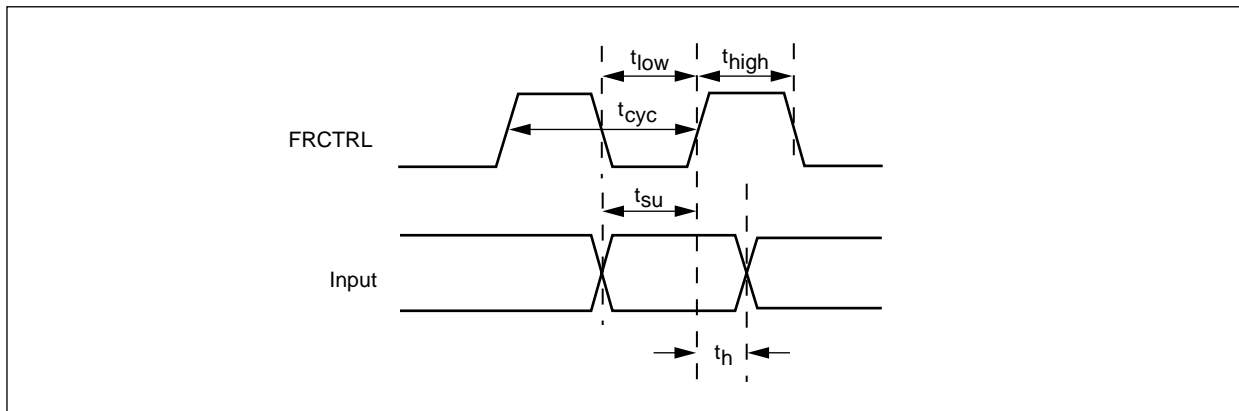
NOTE(S):
 (1) See Figure 15-3 for waveforms and definitions.
 (2) See Figure 15-4 for waveforms and definitions. The output delays are measured with a 25 pF load.

Table 15-3. Slave UTOPIA Interface Timing Parameters

Symbol	Parameter	Min	Max	Units
t_{cyc}	FRCTRL Cycle Time ⁽¹⁾	30	—	ns
t_{high}	FRCTRL High Time ⁽¹⁾ (% of t_{cyc})	40	60	%
t_{low}	FRCTRL Low Time ⁽¹⁾ (% of t_{cyc})	40	60	%
t_{su}	RXD Input Setup Time to FRCTRL ⁽¹⁾	6	—	ns
	RXPAR Input Setup Time to FRCTRL ⁽¹⁾	3	—	ns
	RXSOC Input Setup Time to FRCTRL ⁽¹⁾	8	—	ns
	RXEN* Input Setup Time to FRCTRL ⁽¹⁾	10	—	ns
	TXEN* Input Setup Time to FRCTRL ⁽¹⁾	3	—	ns
t_h	RXD Input Hold Time from FRCTRL ⁽¹⁾	1	—	ns
	RXPAR Input Hold Time from FRCTRL ⁽¹⁾	1	—	ns
	RXSOC Input Hold Time from FRCTRL ⁽¹⁾	1	—	ns
	RXEN* Input Hold Time from FRCTRL ⁽¹⁾	1	—	ns
	TXEN* Input Hold Time from FRCTRL ⁽¹⁾	1	—	ns
t_{val}	FRCTRL to TXD Valid Delay ⁽²⁾	2	16	ns
	FRCTRL to TXPAR Valid Delay ⁽²⁾	2	16	ns
	FRCTRL to TXCLAV Valid Delay ⁽²⁾	2	20	ns
	FRCTRL to RXCLAV Valid Delay ⁽²⁾	2	20	ns
	FRCTRL to TXSOC Valid Delay ⁽²⁾	2	17	ns

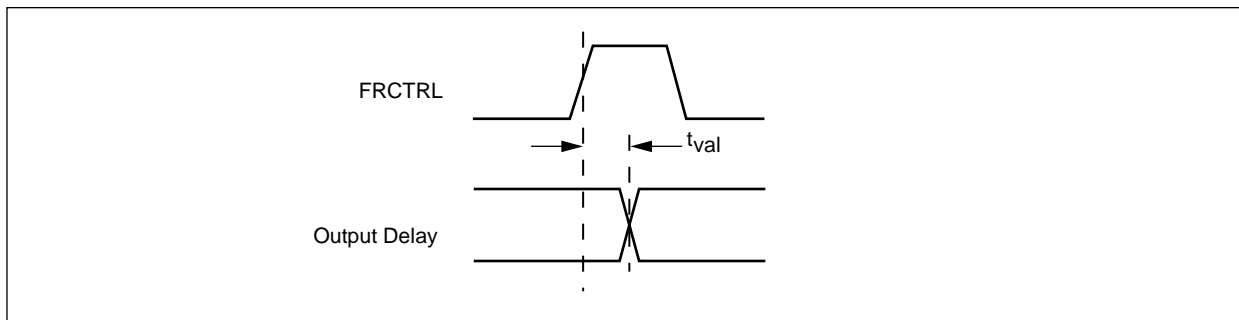
NOTE(S):
 (1) See Figure 15-3 for waveforms and definitions.
 (2) See Figure 15-4 for waveforms and definitions. The output delays are measured with a 25 pF load.

Figure 15-3. UTOPIA and Slave UTOPIA Input Timing Measurement Conditions



100074_089

Figure 15-4. UTOPIA and Slave UTOPIA Output Timing Measurement Conditions



100074_090

15.1.3 System Clock Timing

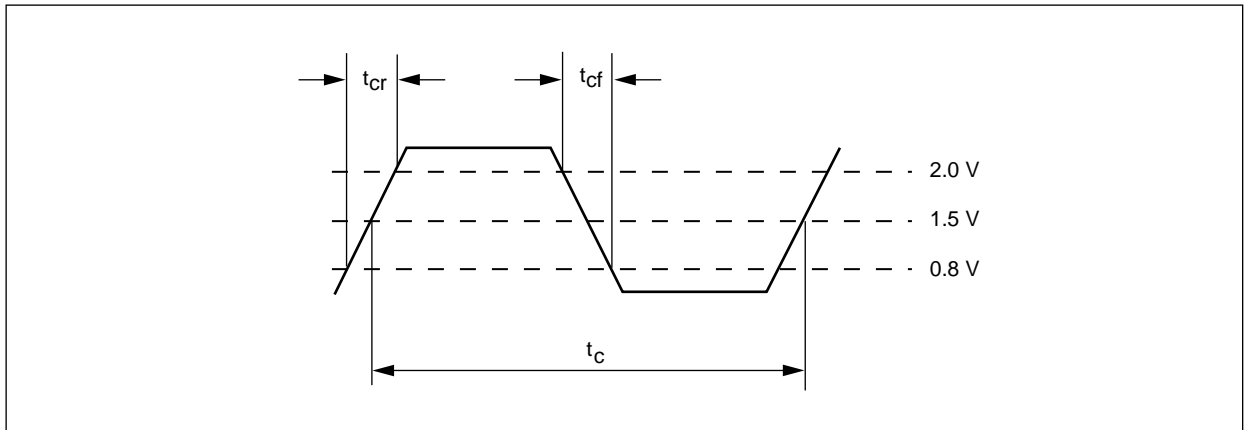
The system clock timing consists of the CLK2X input and the SYSCLK and CLKD3 outputs. The CLK2X input and SYSCLK outputs are used to generate the internal and external system clocks, as well as SAR shared memory and processor read and write timing. The CLKD3 output can be used as the ATM physical interface clock. There is no defined skew relationship between the CLK2X input and SYSCLK and CLKD3 outputs.

Table 15-4 specifies the timing parameters of the three clocks. Figure 15-5 and Figure 15-6 illustrates this timing.

Table 15-4. System Clock Timing

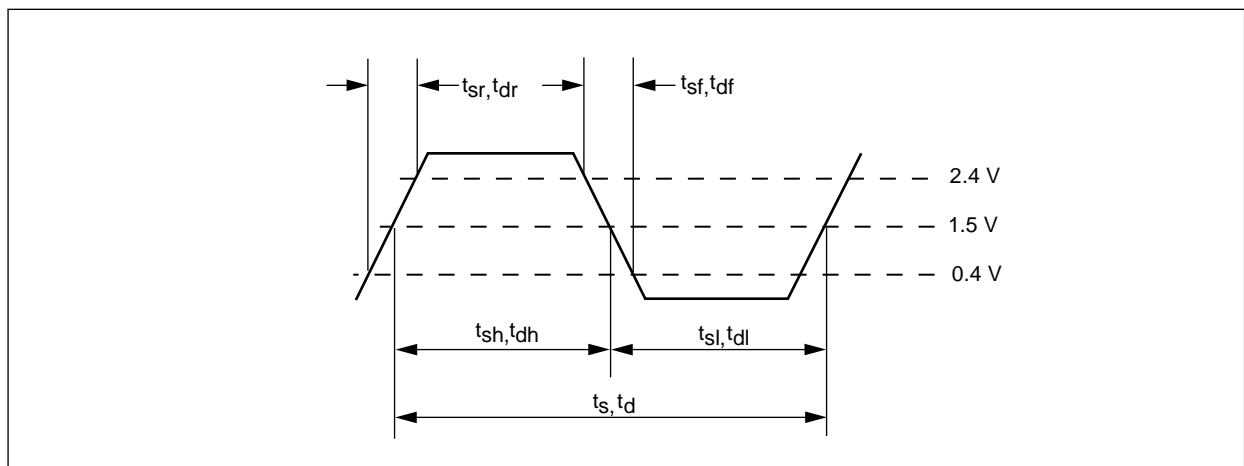
Symbol	Parameter	Min	Max	Units
Input Clocks⁽¹⁾				
t_{cf}	CLK2X Frequency	0	66	MHz
t_c	CLK2X Period	15.15		ns
t_{cd}	CLK2X Duty Cycle	40	60	%
t_{cr}	CLK2X Rise Time	0	6	ns
t_{cf}	CLK2X Fall Time	0	6	ns
Output Clocks⁽²⁾				
t_{sf}	SYSCLK Frequency	$t_{cf}/2$		MHz
t_s	SYSCLK Period	$2t_c$		ns
t_{sh}	SYSCLK High Time	$(t_s/2) - 2$	$(t_s/2) + 2$	ns
t_{sl}	SYSCLK Low Time	$(t_s/2) - 2$	$(t_s/2) + 2$	ns
t_{sr}	SYSCLK Rise Time	1	4	ns
t_{sf}	SYSCLK Fall Time	1	4	ns
t_{df}	CLKD3 Frequency	$t_{cf}/3$		MHz
t_d	CLKD3 Period	$3t_c$		
t_{dh}	CLKD3 High Time	$(t_D/2) - 2$	$(t_D/2) + 2$	ns
t_{dl}	CLKD3 Low Time	$(t_D/2) - 2$	$(t_D/2) + 2$	ns
t_{dr}	CLKD3 Rise Time	1	4	ns
t_{df}	CLKD3 Fall Time	1	4	ns
NOTE(S):				
(1) See Figure 15-5 for waveforms and definitions.				
(2) See Figure 15-6 for waveforms and definitions. The outputs are measured with a load of 35 pF.				

Figure 15-5. Input System Clock Waveform



100074_091

Figure 15-6. Output System Clock Waveform



100074_092

15.1.4 RS8234 Memory Interface Timing

Memory access times and other timing requirements are specified at three typical implementations of one, two, and four banks of by_8 SRAM. Table 15-5 gives the number of loads per bank for the different SRAM organizations while Table 15-6 gives the capacitive loading used in the timing specifications given for the three typical implementations. RS8234 memory interface timing is given in Table 15-7. See Section 9.2 for details of memory bank organization.

Table 15-5. SRAM Organization Loading Dependencies

Signal	Loads/Bank ⁽¹⁾		
	by_16 SRAM	by_8 SRAM	by_4 SRAM
LADDR[18:0] ⁽¹⁾	2	4	8
LDATA[31:0] ⁽¹⁾	1	1	1
MWR* ⁽¹⁾	2	N/A	N/A
MOE* ⁽¹⁾	2	4	8
MCSx* ^(1, 2)	2	4	8
MWEx* ⁽¹⁾	1	1	2

NOTE(S):
⁽¹⁾ Typical input loading for SRAM is 7 pF. For exact values, consult the SRAM databook.
⁽²⁾ Only connected to one bank by definition.

Table 15-6. SAR Shared Memory Output Loading Conditions

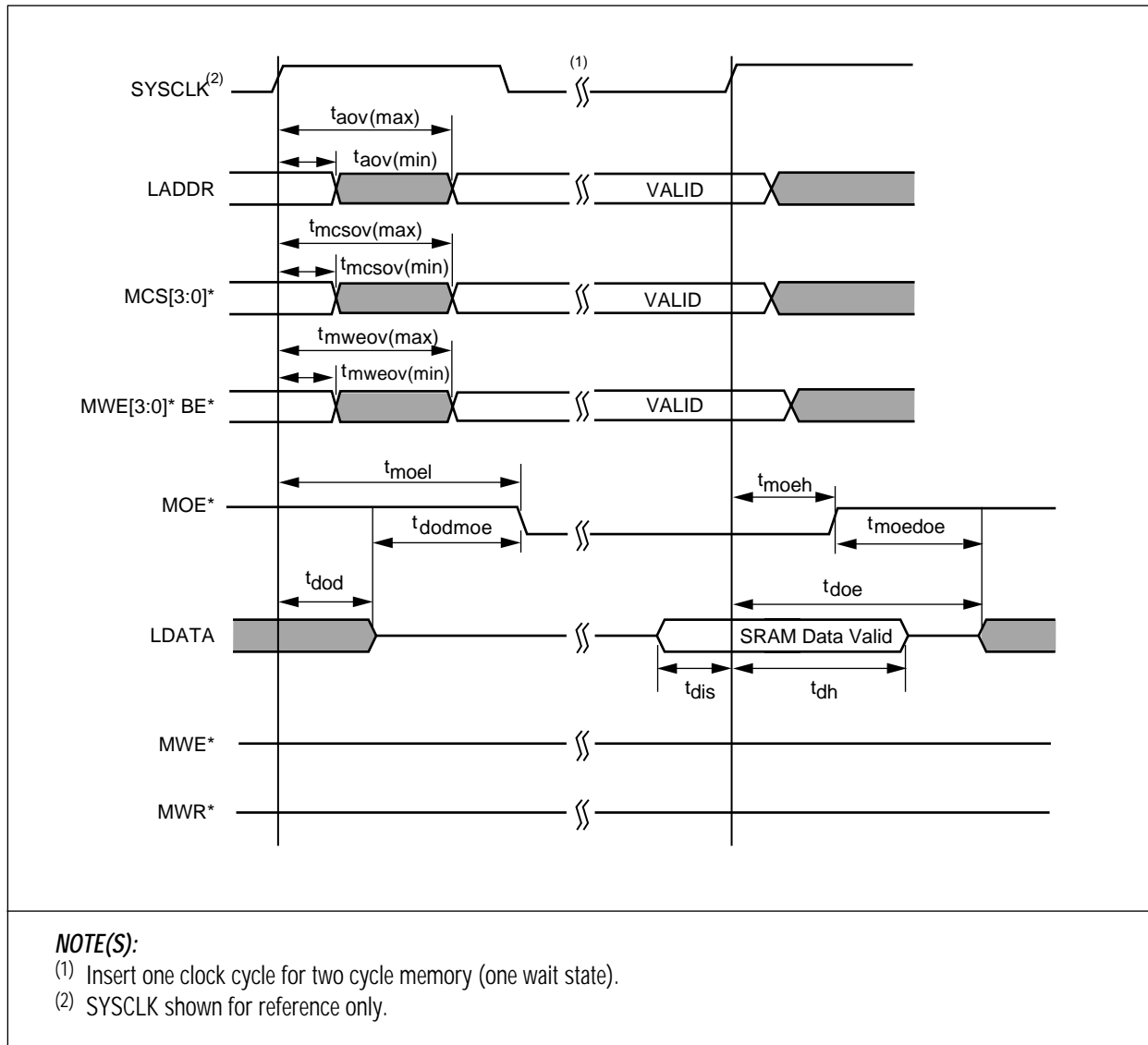
Signal	4 banks of by_8 SRAM	2 banks of by_8 SRAM	1 bank of by_8 SRAM	Units
Memory Interface Loading⁽¹⁾				
LADDR[18:0] ⁽¹⁾	150	100	50	pF
MOE*	150	100	50	pF
MWR* ⁽²⁾	—	50	35	pF
LDATA[31:0]	50	35	25	pF
MWE[3:0]*	50	35	25	pF
MCS[3:0]*	50	35	25	pF

NOTE(S):
⁽¹⁾ In general, the LADDR loading is the most critical parameter, one bank of by_8 SRAM has the same address loading as two banks of by_16 and 1/2 bank of by_4 SRAM. For example, use the timing from the two banks of by_8 column for four banks of by_16 SRAM, or one bank of by_4 SRAM.
⁽²⁾ For by_16 SRAM, the WE* input has the same loading as the address bus and OE*; therefore, 16 loads specified by the four banks of by_8 is not applicable, since the maximum number of by_16 SRAMs supported is eight.

Table 15-7. RS8234 Memory Interface Timing

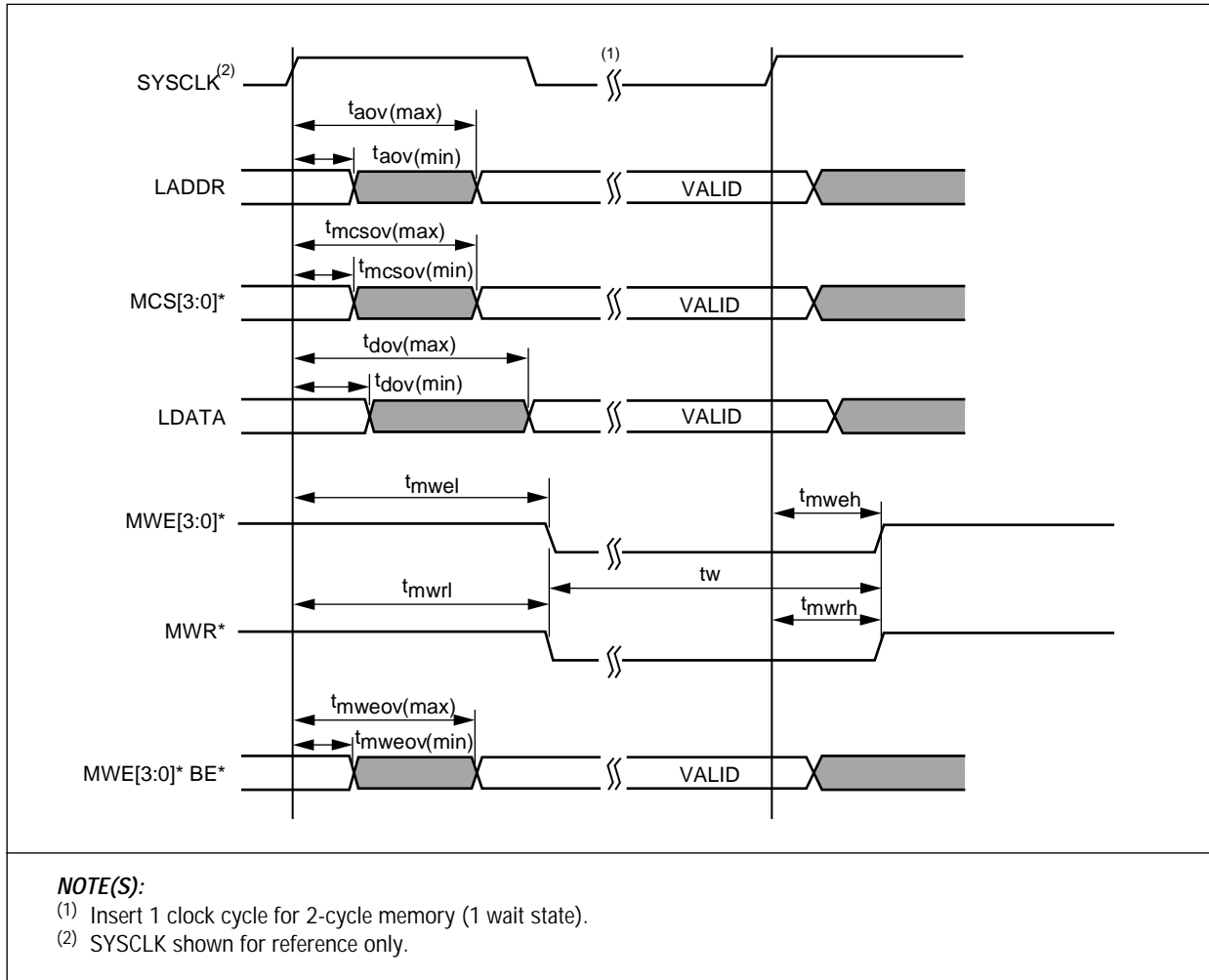
Symbol	Parameter	4 banks of by_8 SRAM		2 banks of by_8 SRAM		1 bank of by_8 SRAM		Units
		Min	Max	Min	Max	Min	Max	
Memory Read Timing								
t_{rc}	READ Cycle Time ⁽²⁾	T		T		T		ns
t_{aov}	LADDR[18:0] Output Valid ⁽¹⁾	1	10	1	8	1	7	ns
t_{mcssov}	MCS[3:0]* Output Valid ⁽¹⁾	1	10	1	8	1	7	ns
t_{mweov}	MWE* Byte Enables Output Valid ⁽¹⁾ (RAMMODE = 1)	1	10	1	8	1	7	ns
t_{moel}	MOE* Low ⁽¹⁾		17		16		15	ns
t_{moeh}	MOE* High ⁽¹⁾		10		8		7	ns
t_{dod}	LDATA Output Disable ⁽¹⁾		7		6		6	ns
t_{dis}	LDATA Input Setup ⁽¹⁾	5		5		5		ns
t_{dh}	LDATA Input Hold ⁽¹⁾	0		0		0		ns
t_{doe}	LDATA Driven by SAR ⁽¹⁾	12		11		11		ns
t_{dodmoe}	LDATA Disable to MOE* Low ⁽¹⁾	0		0		0		ns
t_{moedoe}	MOE* High to LDATA Driven ⁽¹⁾	6		7		8		ns
Memory Write Timing								
t_{wc}	WRITE Cycle Time ⁽²⁾	T		T		T		ns
t_w	MWR*, MWE[3:0]* Width ^(2, 4)	T/2-2		T/2-2		T/2-2		ns
t_{aov}	LADDR[18:0] Output Valid ⁽⁴⁾	1	10	1	8	1	7	ns
t_{mcssov}	MCS[3:0]* Output Valid ⁽⁴⁾	1	10	1	8	1	7	ns
t_{mweov}	MWE* Byte Enables Output Valid ⁽¹⁾ (RAMMODE = 1)	1	10	1	8	1	7	ns
t_{dov}	LDATA Output Valid ⁽⁴⁾	1	10	1	10	1	10	ns
t_{mwel}	MWE[3:0]* Low ⁽⁴⁾	T/2-2	16		16		16	ns
t_{mwelh}	MWE[3:0]* High ⁽⁴⁾		1		1		1	ns
t_{mwrl}	MWR[3:0]* Low ⁽⁴⁾	T/2-2	16		16		16	ns
t_{mwrh}	MWR[3:0]* High ⁽⁴⁾		1		1		1	ns
NOTE(S):								
(1) See Figure 15-7 for waveforms.								
(2) T = t_s for single cycle memory (no wait states), T = $2t_s$ for two cycle memory, (one wait state).								
(3) Insert one clock cycle for two cycle memory (one wait state).								
(4) See Figure 15-8 for waveforms.								
(5) SYSCLK shown for reference only.								

Figure 15-7. RS8234 Memory Read Timing



8236_117

Figure 15-8. RS8234 Memory Write Timing



100074_094

15.1.5 PHY Interface Timing (Standalone Mode)

The standalone mode of operation is entered when the PROCMODE input is at a logic high indicating that no local processor is present. In this mode, the RS8234 changes its memory map to include the ATM physical interface device. The interface is fully synchronous to SYSCLK and is designed to interface directly to the RS825x ATM Receiver/Transmitter. Timing is given in [Table 15-8](#), [Figure 15-9](#), and [Figure 15-10](#). See [Section 10.6](#) or details.

Table 15-8. PHY Interface Timing (PROCMODE = 1)

Symbol	Parameter	Min	Max	Units
Synchronous Inputs				
t_{is}	PWAIT* Input Setup ⁽¹⁾	14		ns
	LDATA Input Setup ⁽¹⁾	5		ns
t_{ih}	PWAIT* Input Hold ⁽¹⁾	0		ns
	LDATA Input Hold ⁽¹⁾	0		ns
Synchronous Outputs				
t_{ov}	PRDY* Output Valid Delay ⁽²⁾	5	15	ns
	PAS Output Valid Delay ⁽²⁾	5	15	ns
	PCS* Output Valid Delay ⁽²⁾	5	15	ns
	PBLAST* Output Valid Delay ⁽²⁾	5	15	ns
	PWNR Output Valid Delay ⁽²⁾	5	15	ns
	LDATA* Output Valid Delay ⁽²⁾	1	10	ns
	LADDR Output Valid Delay ⁽²⁾	1	10	ns
NOTE(S):				
(1) See Figure 15-9 for waveforms and definitions.				
(2) See Figure 15-10 for waveforms and definitions. The outputs are measured with a load of 35 pF.				

Figure 15-9. Synchronous PHY Interface Input Timing

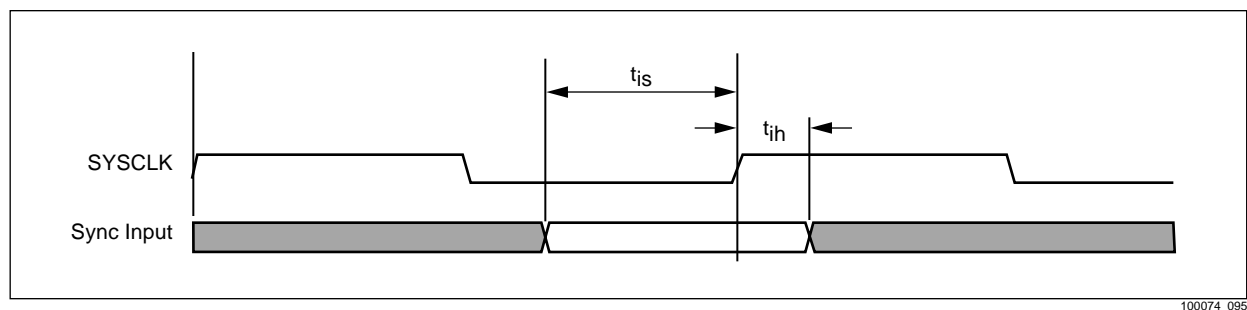
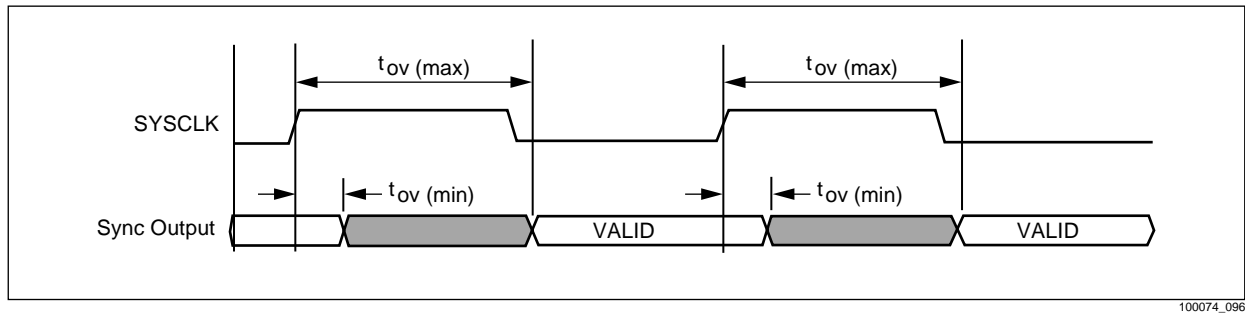


Figure 15-10. Synchronous PHY Interface Output Timing



15.1.6 Local Processor Interface Timing

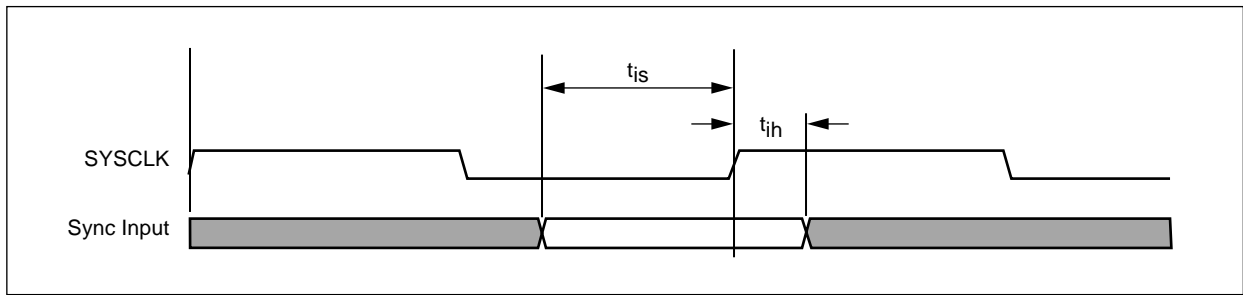
Timing for the local processor interface can be broken into two sections. The first is the synchronous to SYSCLK interface of processor control signals to and from the RS8234. The second is the interface to the SAR shared memory and the RS8234 control and status registers, which involves both SRAM and transceiver, as well as buffer timing parameters that are not specified and are left up to the system designer.

All of the synchronous interface signals are inputs to the RS8234 except for SYSCLK and the ready output of the RS8234 (PRDY*). The output loading of these signals is 35 pF for the timing given in [Table 15-9](#). Memory Interface Timing is given in [Table 15-10](#).

Table 15-9. Synchronous Processor Interface Timing

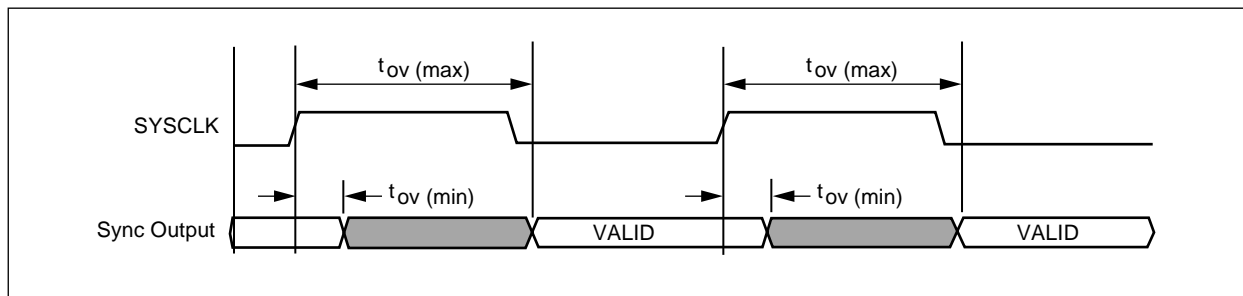
Symbol	Parameter	Min	Max	Units
Synchronous Inputs				
t_{is}	PCS* Input Setup ⁽¹⁾	8		ns
	PAS* Input Setup ⁽¹⁾	10		ns
	PBLAST* Input Setup ⁽¹⁾	10		ns
	PWAIT* Input Setup ⁽¹⁾	10		ns
	PADDR[1,0] Input Setup ⁽¹⁾	10		ns
	PBSEL[1,0] Input Setup ⁽¹⁾	8		ns
	PBE[3:0]* Input Setup ⁽¹⁾	8		ns
	PWNR Input Setup ⁽¹⁾	10		ns
t_{ih}	PCS* Input Hold ⁽¹⁾	0		ns
	PAS* Input Hold ⁽¹⁾	0		ns
	PBLAST* Input Hold ⁽¹⁾	0		ns
	PWAIT* Input Hold ⁽¹⁾	0		ns
	PADDR[1,0] Input Hold ⁽¹⁾	0		ns
	PBSEL[1,0] Input Hold ⁽¹⁾	0		ns
	PBE[3:0]* Input Hold ⁽¹⁾	0		ns
	PWNR Input Hold ⁽¹⁾	0		ns
Synchronous Outputs				
t_{ov}	PRDY* Output Valid Delay ⁽²⁾	5	15	ns
NOTE(S):				
(1) See Figure 15-11 for waveforms and definitions.				
(2) See Figure 15-12 for waveforms and definitions. The outputs are measured with a load of 35 pF.				

Figure 15-11. Synchronous Local Processor Input Timing



100074_097

Figure 15-12. Synchronous Local Processor Output Timing



100074_098

15.1 Timing

ATM ServiceSAR Plus with xBR Traffic Management

Table 15-10. Local Processor Memory Interface Timing

Symbol	Parameter	Min	Max	Units
t_{pdaenl}	SYSCLK to PDAEN* Low, Bus Recovery Cycle ⁽¹⁾		12	ns
t_{pdaenh}	SYSCLK to PDAEN* High, Bus Recovery Cycle ⁽¹⁾	2		ns
t_{lod}	LADDR[18:2], LDATA Output Disable to PDAEN* Low, Bus Recovery Cycle ⁽¹⁾	4		ns
t_{loe}	PDAEN* High to LADDR[18:2], LDATA Output Enable, Bus Recovery Cycle ⁽¹⁾	9		ns
t_{mcs}	SYSCLK to MCS*[3:0] Valid ⁽¹⁾	1	6	ns
t_{lav}	SYSCLK to LADDR[1,0] Valid ^(1, 2)	1	7	ns
t_{oel}	MOE* Active from SYSCLK ^(1, 3)	8	20	ns
t_{oeh}	MOE* Inactive from SYSCLK ^(1, 3)	1	10	ns
t_{wl}	MWR*, MWE[3:0] Active from SYSCLK ^(1, 3)		16	ns
t_{wh}	MWR*, MWE[3:0]* Inactive to SYSCLK ^(1, 3)		1	ns
t_{be}	MWE[3:0]* Byte Enables Valid from SYSCLK (RAMMODE = 1) ⁽¹⁾	1	7	ns
t_{crd}	CSR Read Data Output Valid	2	20	ns
t_{cwds}	CSR Write Data Setup to SYSCLK	8		ns
t_{cwdh}	CSR Write Data Hold from SYSCLK	0		ns
t_{las}	LADDR Setup to SYSCLK	12		ns

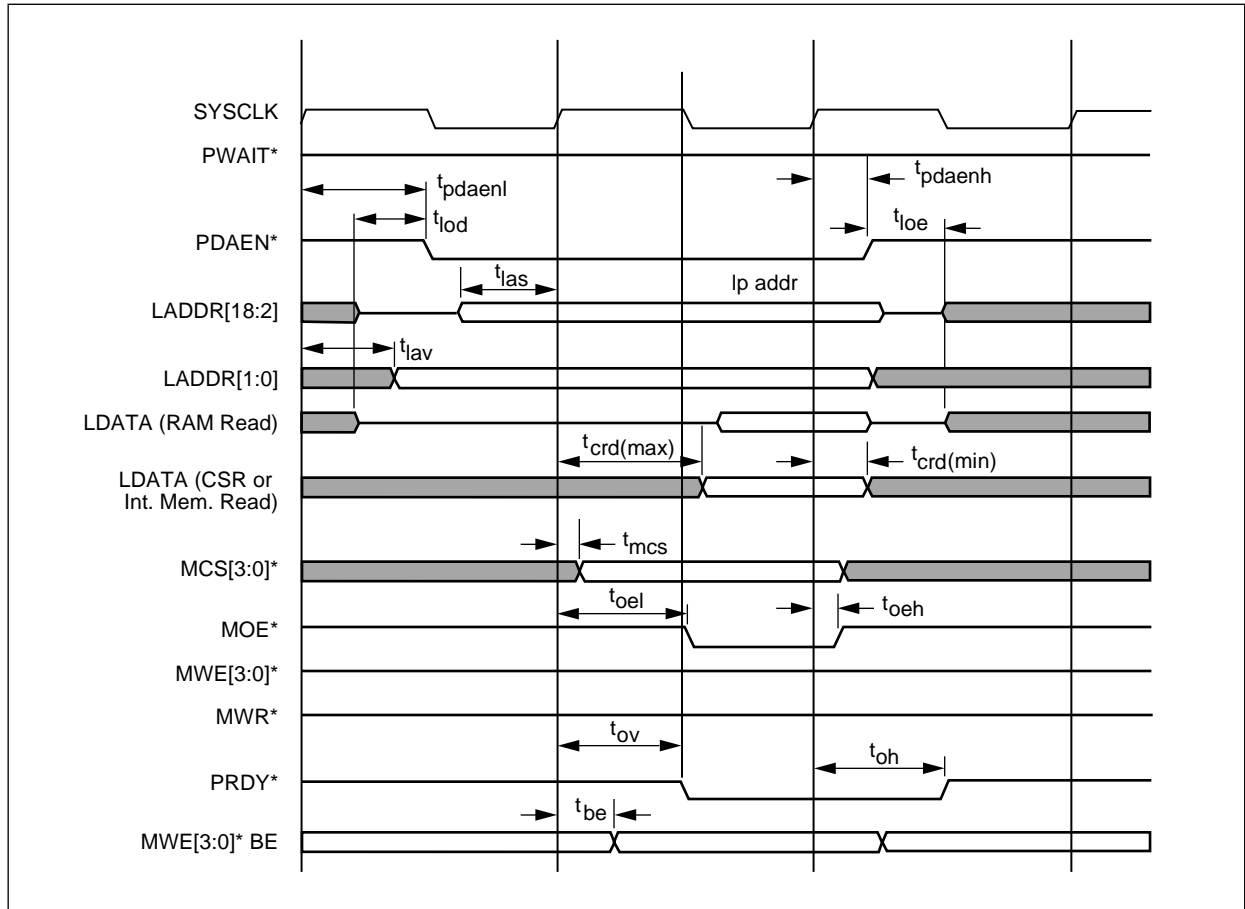
NOTE(S):

(1) See Figure 15-13 and Figure 15-14 for waveforms and definitions.

(2) t_{lav} is valid for second and subsequent accesses during burst transfers. See functional timing diagrams.

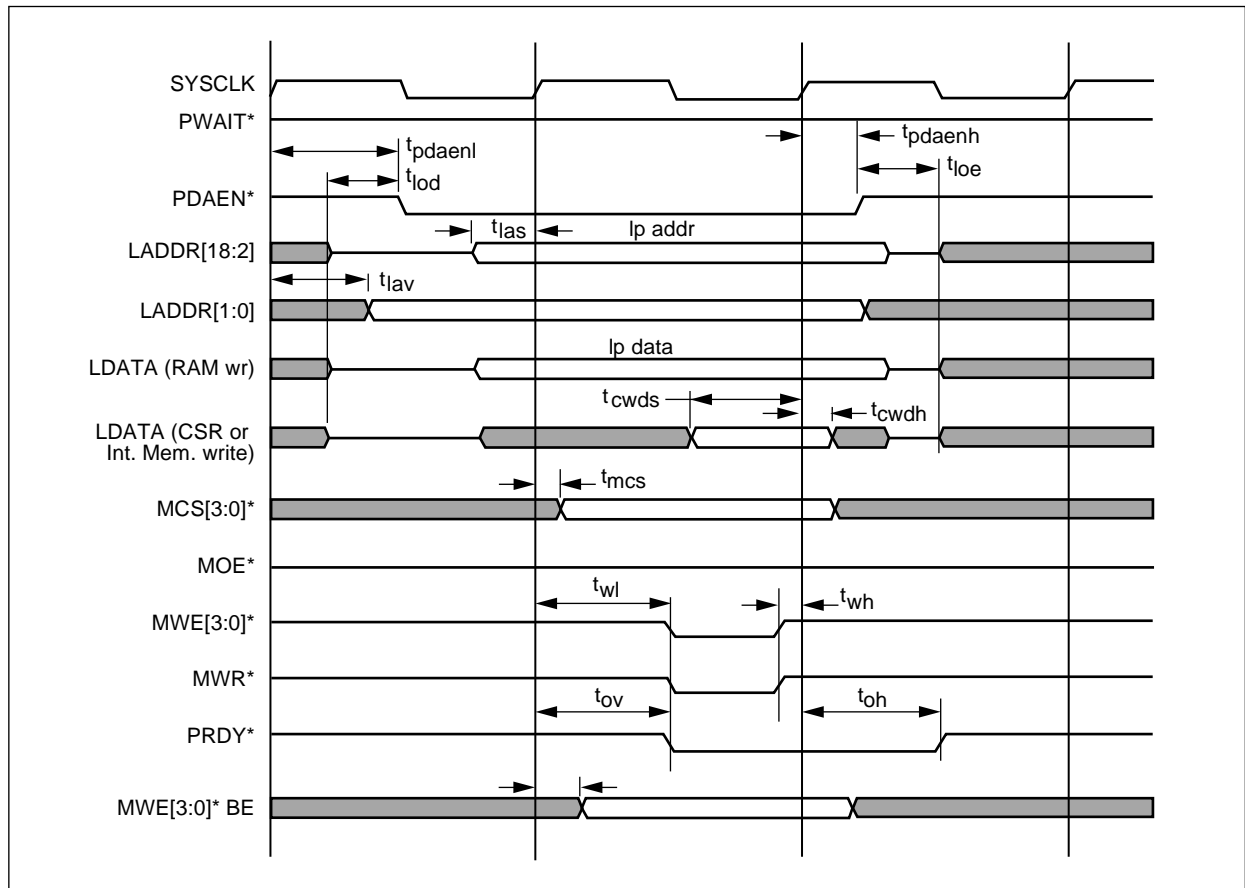
(3) In the case of two cycle memory, or when inserting wait states by PWAIT*, MOE*, MWE[3:0]*, and MWR* are extended across two or more clock cycles with the same relative timing to SYSCLK. See the functional timing diagrams in Section 10.6

Figure 15-13. Local Processor Read Timing



100074_099

Figure 15-14. Local Processor Write Timing



100074_100

15.2 Absolute Maximum Ratings

Stresses above those listed as absolute maximum ratings (Table 15-11) can cause permanent damage to the device. This is a stress rating only and functional operation of the device at these or any other conditions above those indicated in other sections of this document is not implied. Exposure to absolute maximum rating conditions for extended periods may affect device reliability. This device should be handled as an ESD-sensitive device. Voltage on any signal pin exceeding 5.5 V can induce destructive latchup.

Table 15-11. Absolute Maximum Ratings

Parameter	Value	Unit
Supply Voltage (Vdd)	-0.5 to +4	V
Input Voltage	-0.5 to +5.5	V
Output Voltage	-0.5 to (Vdd + 0.3)	V
Storage Temperature	-40 to 125	C
Maximum Current @ Max Clock Frequencies and 3.6 V	400	mA
Moisture Sensitivity Level (MSL)	4	—
FIT @ 55 °C	55	—
Theta Ja (T _a = 85 °C, T _j = 125 °C)	17	C/W

15.3 DC Characteristics

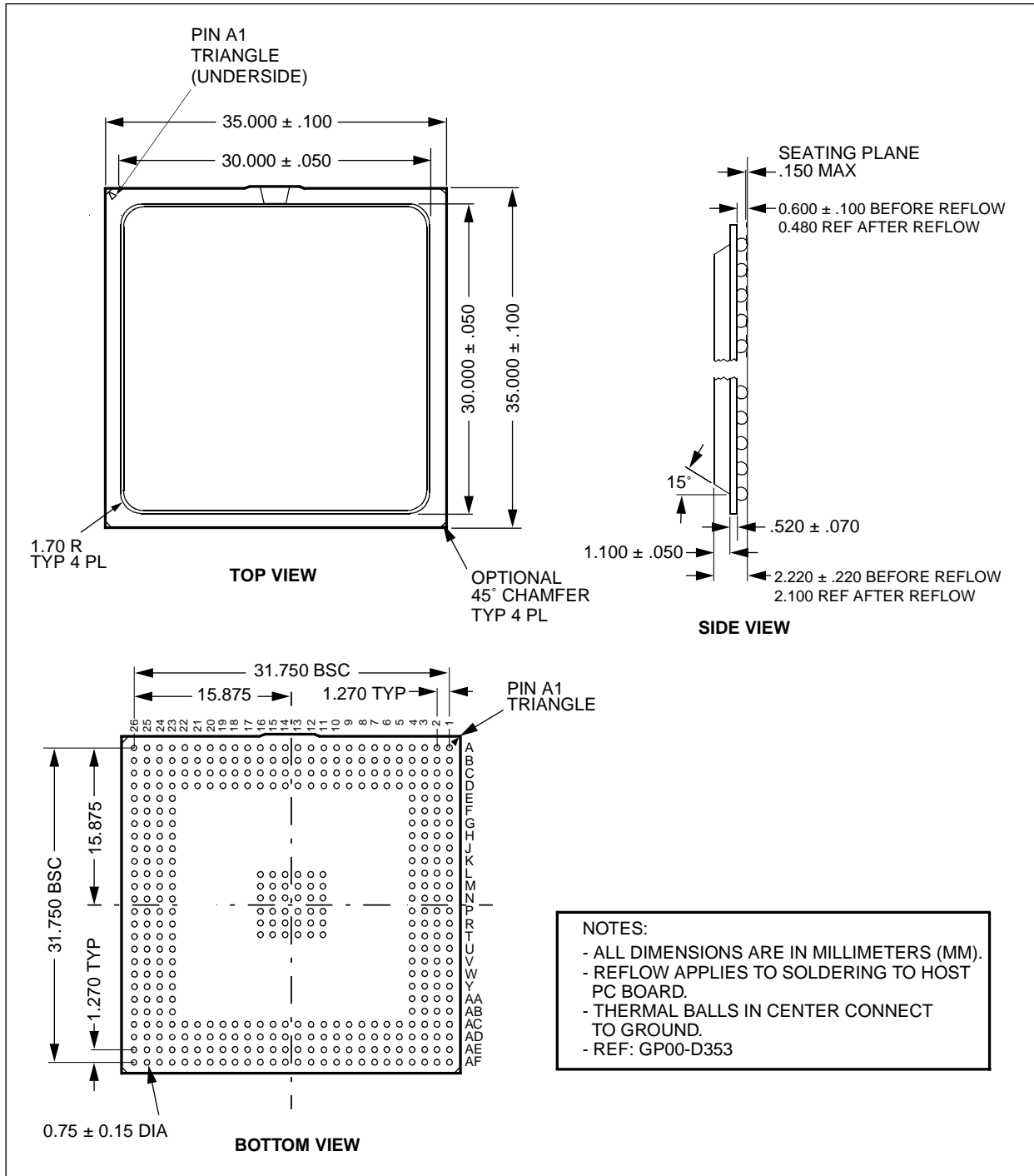
Table 15-12. DC Characteristics

Parameter	Conditions	Min	Max	Unit
Operating Supply Voltage (Vdd)		3.0	3.6	V
Output Voltage High	$I_{OH} = -500 \mu\text{A}$ (PCI signaling)	$0.9 \cdot V_{dd}$		V
	$I_{OH} = -2 \text{ mA}$ (for all 5V PCI signaling)	2.4		V
	$I_{OH} = 4.0 \text{ mA}$ (for all other signals)	2.4		V
Output Voltage Low	$I_{OL} = 1500 \mu\text{A}$ (for all 3.3 V PCI signals)		$0.1 \cdot V_{dd}$	V
	$I_{OH} = 3 \text{ mA}, 6 \text{ mA}$ ⁽¹⁾ (for all 5V PCI signaling)		0.55	V
	$I_{OL} = 4.0 \text{ mA}$ (for all other signals)		0.4	V
Input Voltage High (PCI)	(for 3.3 V PCI signaling)	$0.5 \cdot V_{dd}$	5.25	V
	(for 5 V PCI signaling)	2.0	5.25	V
Input Voltage High (HCLK, CLK2X, HRST*, FRCTRL)		$0.7 \cdot V_{dd}$	5.25	V
Input Voltage High (all others)		2.0	5.25	V
Input Voltage Low (PCI)	(for 3.3 V PCI signaling)	-0.5	$0.3 \cdot V_{dd}$	V
	(for 5 V PCI signaling)	-0.5	0.8	V
Input Voltage Low (HCLK, CLK2X, HRST*, FRCTRL)		0	$0.3 \cdot V_{dd}$	V
Input Voltage Low (all others)		0	0.8	V
Input Leakage Current	$V_{in} = V_{dd}$ or GND	-10	10	μA
Three-state Output Leakage Current	$V_{OUT} = V_{dd}$ or GND	-10	10	μA
Pullup Current		30	100	μA
Input Capacitance			7	pF
Output Capacitance			7	pF
<p>NOTE(S): All outputs are CMOS drive levels, and can be used with CMOS or TTL logic. ⁽¹⁾ Per PCI Specification Rev 2.1, signals without pullup resistors must have 3 mA low output current. Signals requiring pullup must have 6 mA. The latter include: FRAME*, TRDY*, IRDY*, DEVSEL*, STOP*, SERR*, PERR*, and LOCK*.</p>				

15.4 Mechanical Specifications

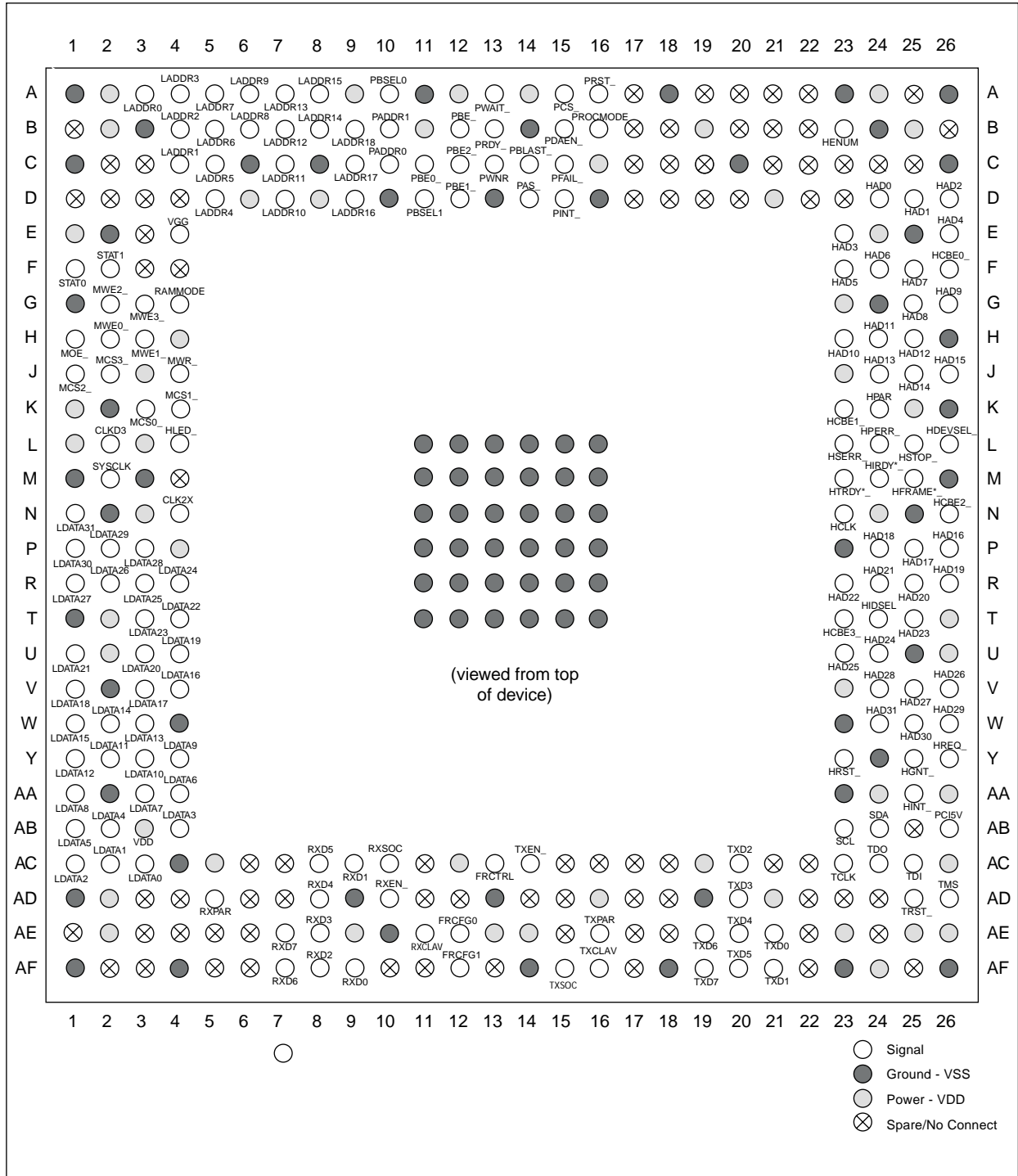
The RS8234 388-pin BGA package is illustrated in [Figure 15-15](#). [Figure 15-16](#) is a pinout configuration of the RS8234, and a pin listing is given in [Table 15-13](#).

Figure 15-15. 388-Pin Ball Grid Array Package (BGA)



100074_101

Figure 15-16. RS8234 Pinout Configuration



15.4 Mechanical Specifications

ATM ServiceSAR Plus with xBR Traffic Management

Table 15-13. Pin Descriptions (1 of 4)

Pin	Pin Label	I/O	Pin	Pin Label	I/O	Pin	Pin Label	I/O
A1	VSS	—	L4	HLED	—	W3	LDATA[13]	I/O
B2	VDD	—	L3	VDD	—	W4	VSS	—
C3	spare	—	L2	CLKD3	0	Y1	LDATA[12]	I/O
D4	spare	—	L1	VDD	—	Y2	LDATA[11]	I/O
B1	spare	—	M4	spare	—	Y3	LDATA[10]	I/O
C2	spare	—	M3	VSS	—	Y4	LDATA[9]	I/O
C1	VSS	—	M2	SYSCLK	0	AA1	LDATA[8]	I/O
D3	spare	—	M1	VSS	—	AA2	VSS	—
D2	spare	—	N4	CLK2X	I	AA3	LDATA[7]	I/O
D1	spare	—	N3	VDD	—	AA4	LDATA[6]	I/O
E4	VGG	I	N2	VSS	—	AB1	LDATA[5]	I/O
E3	spare	—	N1	LDATA[31]	I/O	AB2	LDATA[4]	I/O
E2	VSS	—	P1	LDATA[30]	I/O	AB3	VDD	—
E1	VDD	—	P2	LDATA[29]	I/O	AB4	LDATA[3]	I/O
F4	spare	—	P3	LDATA[28]	I/O	AC1	LDATA[2]	I/O
F3	spare	—	P4	VDD	—	AC2	LDATA[1]	I/O
F2	STAT1	0	R1	LDATA[27]	I/O	AC3	LDATA[0]	I/O
F1	STAT0	0	R2	LDATA[26]	I/O	AD1	VSS	—
G4	RAMMODE	I	R3	LDATA[25]	I/O	AD2	VDD	—
G3	MWE3*	0	R4	LDATA[24]	I/O	AE1	spare	—
G2	MWE2*	0	T1	VSS	—	AF1	VSS	—
G1	VSS	—	T2	VDD	—	AE2	VDD	—
H4	VDD	—	T3	LDATA[23]	I/O	AD3	spare	—
H3	MWE1*	0	T4	LDATA[22]	I/O	AC4	VSS	—
H2	MWE0*	0	U1	LDATA[21]	I/O	AF2	spare	—
H1	MOE*	0	U2	VDD	—	AE3	spare	—
J4	MWR*	0	U3	LDATA[20]	I/O	AF3	spare	—
J3	VDD	—	U4	LDATA[19]	I/O	AD4	spare	—
J2	MCS3*	0	V1	LDATA[18]	I/O	AE4	spare	—
J1	MCS2*	0	V2	VSS	—	AF4	VSS	—
K4	MCS1*	0	V3	LDATA[17]	I/O	AC5	VDD	—
K3	MCS0*	0	V4	LDATA[16]	I/O	AD5	RXPARG	I
K2	VSS	—	W1	LDATA[15]	I/O	AE5	spare	—
K1	VDD	—	W2	LDATA[14]	I/O	AF5	spare	—

Table 15-13. Pin Descriptions (2 of 4)

Pin	Pin Label	I/O	Pin	Pin Label	I/O	Pin	Pin Label	I/O
AC6	spare	—	AD14	spare	—	AF23	VSS	—
AD6	spare	—	AC14	TXEN*	I/O	AE23	VDD	—
AE6	spare	—	AF15	TXSOC	I/O	AD23	spare	—
AF6	spare	—	AE15	spare	—	AF24	VDD	—
AC7	spare	—	AD15	spare	—	AE24	spare	—
AD7	spare	—	AC15	spare	—	AF25	spare	—
AE7	RXD[7]	I	AF16	TXCLAV	I/O	AF26	VSS	—
AF7	RXD[6]	I	AE16	TXPAR	O	AE25	VDD	—
AC8	RXD[5]	I	AD16	VDD	—	AD24	spare	—
AD8	RXD[4]	I	AC16	spare	—	AC23	TCLK	I
AE8	RXD[3]	I	AF17	spare	—	AE26	VDD	—
AF8	RXD[2]	I	AE17	spare	—	AD25	TRST*	I
AC9	RXD[1]	I	AD17	spare	—	AD26	TMS	I
AD9	VSS	—	AC17	spare	—	AC24	TDO	O
AE9	VDD	—	AF18	VSS	—	AC25	TDI	I
AF9	RXD[0]	I	AE18	spare	—	AC26	VDD	—
AC10	RXSOC	I	AD18	spare	—	AB23	SCL	O
AD10	RXEN*	I/O	AC18	spare	—	AB24	SDA	I/O
AE10	VSS	—	AF19	TXD[7]	O	AB25	spare	—
AF10	spare	—	AE19	TXD[6]	O	AB26	PCI5V	I
AC11	spare	—	AD19	VSS	—	AA23	VSS	—
AD11	spare	—	AC19	VDD	—	AA24	VDD	—
AE11	RXCLAV	I/O	AF20	TXD[5]	O	AA25	HINT*	OD
AF11	spare	—	AE20	TXD[4]	O	AA26	VDD	—
AC12	VDD	—	AD20	TXD[3]	O	Y23	HRST*	I
AD12	spare	—	AC20	TXD[2]	O	Y24	VSS	—
AE12	FRCFG0	I	AF21	TXD[1]	O	Y25	HGNT*	I
AF12	FRCFG1	I	AE21	TXD[0]	O	Y26	HREQ*	O
AC13	FRCTRL	I	AD21	VDD	—	W23	VSS	—
AD13	VSS	—	AC21	spare	—	W24	HAD[31]	I/O
AE13	VDD	—	AF22	spare	—	W25	HAD[30]	I/O
AF13	spare	—	AE22	spare	—	W26	HAD[29]	I/O
AC14	VSS	—	AD22	spare	—	V23	VDD	—
AE14	VDD	—	AC22	spare	—	V24	HAD[28]	I/O
V25	HAD[27]	I/O	J26	HAD[15]	I/O	B23	HENUM_	—

15.4 Mechanical Specifications

ATM ServiceSAR Plus with xBR Traffic Management

Table 15-13. Pin Descriptions (3 of 4)

Pin	Pin Label	I/O	Pin	Pin Label	I/O	Pin	Pin Label	I/O
V26	HAD[26]	I/O	J25	HAD[14]	I/O	A23	VSS	—
U23	HAD[25]	I/O	J24	HAD[13]	I/O	D22	spare	—
U24	HAD[24]	I/O	J23	VDD	—	C22	spare	—
U25	VSS	—	H26	VSS	—	B22	spare	—
U26	VDD	—	H25	HAD[12]	I/O	A22	spare	—
T23	HC/BE[3]*	I/O	H24	HAD[11]	I/O	D21	VDD	—
T24	HIDSEL	I	H23	HAD[10]	I/O	C21	spare	—
T25	HAD[23]	I/O	G26	HAD[9]	I/O	B21	spare	—
T26	VDD	—	G25	HAD[8]	I/O	A21	spare	—
R23	HAD[22]	I/O	G24	VSS	—	D20	spare	—
R24	HAD[21]	I/O	G23	VDD	—	C20	VSS	—
R25	HAD[20]	I/O	F26	HC/BE[0]*	I/O	B20	spare	—
R26	HAD[19]	I/O	F25	HAD[7]	I/O	A20	spare	—
P23	VSS	—	F24	HAD[6]	I/O	D19	spare	—
P24	HAD[18]	I/O	F23	HAD[5]	I/O	C19	spare	—
P25	HAD[17]	I/O	E26	HAD[4]	I/O	B19	VDD	—
P26	HAD[16]	I/O	E25	VSS	—	A19	spare	—
N26	HC/BE[2]*	I/O	E24	VDD	—	D18	spare	—
N25	VSS	—	E23	HAD[3]	I/O	C18	spare	—
N24	VDD	—	D26	HAD[2]	I/O	B18	spare	—
N23	HCLK	I	D25	HAD[1]	I/O	A18	VSS	—
M26	VSS	—	D24	HAD[0]	I/O	D17	spare	—
M25	HFRAME*	I/O	C26	VSS	—	C17	spare	—
M24	HIRDY*	I/O	C25	spare	—	B17	spare	—
M23	HTRDY*	I/O	B26	spare	—	A17	spare	—
L26	HDEVSEL*	I/O	A26	VSS	—	D16	VSS	—
L25	HSTOP*	I/O	B25	VDD	—	C16	VDD	—
L24	HPERR*	I/O	C24	spare	—	B16	PROCMODE	I
L23	HSERR*	OD	D23	spare	—	A16	PRST*	0
K26	VSS	—	A25	spare	—	D15	PINT*	OD
K25	VDD	—	B24	VSS	—	C15	PFAIL*	I
K24	HPAR	I/O	A24	VDD	—	B14	VSS	—
K23	HC/BE[1]*	I/O	C23	spare	—	A14	VDD	—
B15	PDAEN*	I/O	A10	PBSEL[0]	I	A6	LADDR[9]	I/O
A15	PCS*	I/O	B10	PADDR[1]	I	B6	LADDR[8]	I/O
D14	PAS*	I/O	C10	PADDR[0]	I	C6	VSS	—

Table 15-13. Pin Descriptions (4 of 4)

Pin	Pin Label	I/O	Pin	Pin Label	I/O	Pin	Pin Label	I/O
C14	PBLAST*	I/O	D10	VSS	—	D6	VDD	—
A13	PWAIT*	I	A9	VDD	—	A5	LADDR[7]	I/O
B13	PRDY*	O	B9	LADDR[18]	I/O	B5	LADDR[6]	I/O
C13	PWNR	I/O	C9	LADDR[17]	I/O	C5	LADDR[5]	I/O
D13	VSS	—	D9	LADDR[16]	I/O	D5	LADDR[4]	I/O
A12	VDD	—	A8	LADDR[15]	I/O	A4	LADDR[3]	I/O
B12	PBE[3]*	I	B8	LADDR[14]	I/O	B4	LADDR[2]	I/O
C12	PBE[2]*	I	C8	VSS	—	B3	VSS	—
D12	PBE[1]*	I	D8	VDD	—	A2	VDD	—
A11	VSS	—	A7	LADDR[13]	I/O	C4	LADDR[1]	I/O
B11	VDD	—	B7	LADDR[12]	I/O	A3	LADDR[0]	I/O
C11	PBE[0]*	I	C7	LADDR[11]	I/O			
D11	PBSEL[1]	I	D7	LADDR[10]	I/O			

The pins listed in [Table 15-14](#) have been selected as future inputs. When designing the printed circuit board, tie these pins to ground for backward compatibility of future parts.

Table 15-14. Spare Pins Reserved for Inputs

Pin	Comments
C2	Tied to ground on PCB for forward compatibility.
D1	Tied to ground on PCB for forward compatibility.
F3	Tied to ground on PCB for forward compatibility.
AE1	Tied to ground on PCB for forward compatibility.
AE5	Tied to ground on PCB for forward compatibility.
AF5	Tied to ground on PCB for forward compatibility.
AC6	Tied to ground on PCB for forward compatibility.
AD6	Tied to ground on PCB for forward compatibility.
AE6	Tied to ground on PCB for forward compatibility.
AF6	Tied to ground on PCB for forward compatibility.
AC7	Tied to ground on PCB for forward compatibility.
AD7	Tied to ground on PCB for forward compatibility.
AF11	Tied to ground on PCB for forward compatibility.
AD12	Tied to ground on PCB for forward compatibility.
AF13	Tied to ground on PCB for forward compatibility.
AD23	Tied to ground on PCB for forward compatibility.
AE24	Tied to ground on PCB for forward compatibility.
C25	Tied to ground on PCB for forward compatibility.
A25	Tied to ground on PCB for forward compatibility.

Appendix A Boundary Scan

The RS8234 supports boundary scan testing conforming to IEEE standard 1149.1-1990 and Supplement B, 1994. This appendix is intended to assist the customer in developing boundary scan tests for printed circuit boards and systems that use the RS8234. It is assumed that the reader is familiar with boundary scan terminology.

The Boundary Scan section of the RS8234 provides access to all external I/O signals of the device for board and system-level testing. This circuitry also conforms to IEEE Std 1149.1-1990. The boundary scan test logic is accessed through five dedicated pins on the RS8234 (see [Table A-1](#)).

NOTE: This section uses the following pin names:

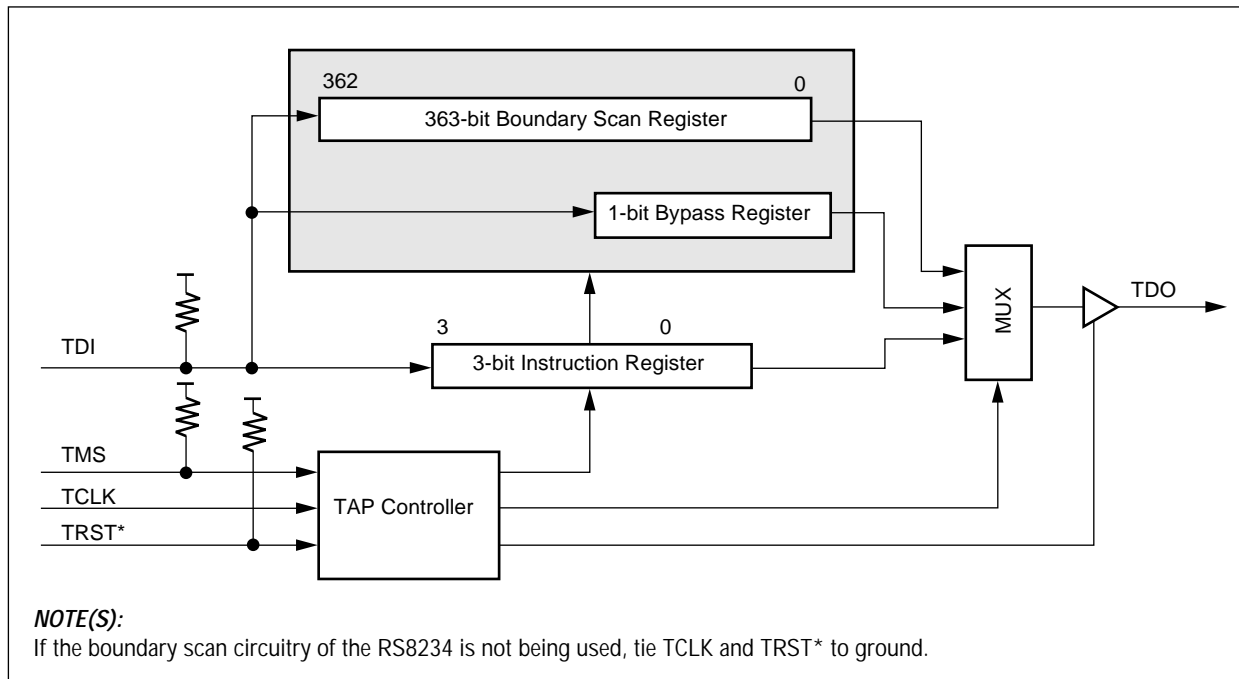
RXFLAG=RXCLAV
RXMARK=RXSOC
TXFLAG=TXCLAV
TXMARK=TXSOC

Table A-1. Boundary Scan Signals

Pin Name	Signal Name	I/O	Definition
TRST*	Test Logic Reset	In	When at a logic low, this signal asynchronously resets the boundary scan test circuitry and puts the test controller into the reset state. This state allows normal system operation.
TCLK	Test Clock	In	Test clocking is generated externally by the system board or by the tester. TCLK can be stopped in either the high state or the low state.
TMS	Test Mode Select	In	Decoded to control test operations.
TDO	Serial Test Data Output	Out	Outputs serial test pattern data.
TDI	Serial Test Data Input	In	Input for serial test pattern data.

The test circuitry includes the Boundary Scan Register, a BYPASS Register, an Instruction Register (IR), and the Tap Access Port (TAP) controller (see [Figure A-2](#)).

Table A-2. Test Circuitry Block Diagram



100074_103

A.1 Instruction Register

The Instruction Register is a 4-bit register with no parity. When the boundary scan circuitry is reset, the IR is loaded with the binary value b1111, which is equivalent to the BYPASS Instruction value. The Capture-IR binary value is b0001, and is shifted out TDO as the IR is loaded.

The 16 instructions include three IEEE 1149.1 mandatory public instructions (BYPASS, EXTEST, and SAMPLE/PRELOAD) and thirteen private instructions for manufacturing use only. Bit-0 (LSB) is shifted into the instruction register first. [Table A-3](#) shows the bit settings for this register.

NOTE: The implementation of this register as described here is applicable only to Rev C of the RS8234 device.

Table A-3. IEEE Std. 1149.1 Instructions

Bit 3	Bit 2	Bit 1	Bit 0	Instruction	Register Accessed
0	0	0	0	EXTEST	Boundary Scan
0	0	0	1	RSTHIGH - Private	—
0	0	1	0	SAMPLE/PRELOAD	Boundary Scan
0	0	1	1	TMWAFIFO - Private	—
0	1	0	0	TMWBFIFO - Private	—
0	1	0	1	TMRFIFO - Private	—
0	1	1	0	TSEGFIFO - Private	—
0	1	1	1	TRSMFIFO - Private	—
1	0	0	0	T38AFIFO - Private	—
1	0	0	1	T38VBFIFO - Private	—
1	0	1	0	RSVD0 - Private	—
1	0	1	1	RSVD1 - Private	—
1	1	0	0	RSVD2 - Private	Boundary Scan
1	1	0	1	RSVD3 - Private	Boundary Scan
1	1	1	0	PM_EN - Private	—
1	1	1	1	BYPASS	—

A.2 BYPASS Register

The BYPASS Register is a 1-bit shift register used to pass TDI data to TDO to facilitate the testing of other devices in the scan path without having to shift the data patterns through the complete Boundary Scan Register of the RS8234.

A.3 Boundary Scan Register

The Boundary Scan Register consists of two different types of registers corresponding to IEEE Std. 1149.1a-1993 attributes and definitions. These register names are STD_1149_1_1993 Standard Boundary Cell names BC-1, and BC-7.

A.4 Boundary Scan Register Cells

Table A-4 defines the Boundary Scan Register cells.

Cell 0 is closest to TDO in the chain.

These are the Cell Type definitions:

- Output3 = Output-three-state
- Input = Input-Observe
- Bidir = Reversible cell for bidirectional pin
- Control = Output-Control
- Controlr = Output-Control that is forced to its disable state in the Test-Logic-Reset controller state.
- Internal = Control-and-Observe internal cell, not associated with an I/O pin.

All controlling cells put their respective output cell into the inactive state with a value of one.

Table A-4. Boundary Scan Register Cells 1 of 3

Cell	Related Pin Name	Cell Type	Controlling Cell	Cell	Related Pin Name	Cell Type	Controlling Cell
0	TXD[0]	output3	7	35	LDATA[1]	bidir	41
1	TXD[1]	output3	7	36	LDATA[2]	bidir	41
2	TXD[2]	output3	7	37	LDATA[3]	bidir	41
3	TXD[3]	output3	7	38	LDATA[4]	bidir	41
4	TXD[4]	output3	7	39	LDATA[5]	bidir	41
5	TXD[5]	output3	7	40	LDATA[6]	bidir	41
6	TXD[6]	output3	7	41	—	internal	
7	—	controlr		42	LDATA[7]	bidir	41
8	TXD[7]	output3	7	43	LDATA[8]	bidir	50
9	TXPAR	output3	7	44	LDATA[9]	bidir	50
10	—	controlr		45	LDATA[10]	bidir	50
11	TXFLAG_NEG	bidir	10	46	LDATA[11]	bidir	50
12	—	controlr		47	LDATA[12]	bidir	50
13	TXMARK	bidir	12	48	LDATA[13]	bidir	50
14	—	controlr		49	LDATA[14]	bidir	50
15	TXEN_NEG	bidir	14	50	—	controlr	
16	FRCTRL	input		51	LDATA[15]	bidir	50
17	FRCFG[1]	input		52	LDATA[16]	bidir	59
18	FRCFG[0]	input		53	LDATA[17]	bidir	59
19	—	controlr		54	LDATA[18]	bidir	59
20	RXFLAG_NEG	bidir	19	55	LDATA[19]	bidir	59
21	—	controlr		56	LDATA[20]	bidir	59
22	RXEN_NEG	bidir	21	57	LDATA[21]	bidir	59
23	RXMARK	input		58	LDATA[22]	bidir	59
24	RXD[0]	input		59	—	controlr	
25	RXD[1]	input		60	LDATA[23]	bidir	59
26	RXD[2]	input		61	LDATA[24]	bidir	68
27	RXD[3]	input		62	LDATA[25]	bidir	68
28	RXD[4]	input		63	LDATA[26]	bidir	68
29	RXD[5]	input		64	LDATA[27]	bidir	68
30	RXD[6]	input		65	LDATA[28]	bidir	68
31	RXD[7]	input		66	LDATA[29]	bidir	68
32	RXPAR	input		67	LDATA[30]	bidir	68
33	—	internal		68	—	controlr	
34	LDATA[0]	bidir	41	69	LDATA[31]	bidir	68

A.4 Boundary Scan Register Cells

ATM ServiceSAR Plus with xBR Traffic Management

Cell	Related Pin Name	Cell Type	Controlling Cell	Cell	Related Pin Name	Cell Type	Controlling Cell
70	CLK2X	input		107	PADDR[1]	input	
71	SYSCLK	output3	115	108	PBSEL[0]	input	
72	CLKD3	output3	115	109	PBSEL[1]	input	
73	MCS[0]_NEG	output3	115	110	PBE[0]_NEG	input	
74	MCS[1]_NEG	output3	115	111	PBE[1]_NEG	input	
75	MCS[2]_NEG	output3	115	112	PBE[2]_NEG	input	
76	MCS[3]_NEG	output3	115	113	PBE[3]_NEG	input	
77	MWR_NEG	output3	115	114	PWNR	bidir	120
78	MOE_NEG	output3	115	115	—	controlr	
79	MWE[0]_NEG	output3	115	116	PRDY_NEG	output3	115
80	MWE[1]_NEG	output3	115	117	PWAIT_NEG	input	
81	MWE[2]_NEG	output3	115	118	PBLAST_NEG	bidir	120
82	MWE[3]_NEG	output3	115	119	PAS_NEG	bidir	120
83	RAMMODE	input		120	—	controlr	
84	STAT[0]	output3	115	121	PCS_NEG	bidir	120
85	STAT[1]	output3	115	122	—	controlr	
86	LADDR[0]	output3	115	123	PDAEN_NEG	bidir	122
87	LADDR[1]	output3	115	124	PFAIL_NEG	input	
88	LADDR[2]	bidir	104	125	—	controlr	
89	LADDR[3]	bidir	104	126	PINT_NEG	output3	125
90	LADDR[4]	bidir	104	127	PRST_NEG	output3	115
91	LADDR[5]	bidir	104	128	PROCMODE	input	
92	LADDR[6]	bidir	104	129	HAD[0]	bidir	136
93	LADDR[7]	bidir	104	130	HAD[1]	bidir	136
94	LADDR[8]	bidir	104	131	HAD[2]	bidir	136
95	LADDR[9]	bidir	104	132	HAD[3]	bidir	136
96	LADDR[10]	bidir	104	133	HAD[4]	bidir	136
97	LADDR[11]	bidir	104	134	HAD[5]	bidir	136
98	LADDR[12]	bidir	104	135	HAD[6]	bidir	136
99	LADDR[13]	bidir	104	136	—	controlr	
100	LADDR[14]	bidir	104	137	HAD[7]	bidir	136
101	LADDR[15]	bidir	104	138	HCBE[0]_NEG	bidir	177
102	LADDR[16]	bidir	104	139	HAD[8]	bidir	146
103	LADDR[17]	bidir	104	140	HAD[9]	bidir	146
104	—	controlr		141	HAD[10]	bidir	146
105	LADDR[18]	bidir	104	142	HAD[11]	bidir	146
106	PADDR[0]	input		143	HAD[12]	bidir	146

Cell	Related Pin Name	Cell Type	Controlling Cell	Cell	Related Pin Name	Cell Type	Controlling Cell
144	HAD[13]	bidir	146	181	HAD[26]	bidir	186
145	HAD[14]	bidir	146	182	HAD[27]	bidir	186
146	—	controlr		183	HAD[28]	bidir	186
147	HAD[15]	bidir	146	184	HAD[29]	bidir	186
148	HCBE[1]_NEG	bidir	177	185	HAD[30]	bidir	186
149	—	controlr		186	—	controlr	
150	HPAR	bidir	149	187	HAD[31]	bidir	186
151	—	controlr		188	—	controlr	
152	HSERR_NEG	output3	151	189	HREQ_NEG	output3	188
153	—	controlr		190	HGNT_NEG	input	
154	HPERR_NEG	bidir	153	191	HRST_NEG	input	
155	—	controlr		192	—	controlr	
156	HSTOP_NEG	bidir	155	193	HINT_NEG	output3	192
157	—	controlr		194	PCI5V	input	
158	HDEVSEL_NEG	bidir	157	195	—	controlr	
159	—	controlr		196	SDA	bidir	195
160	HTRDY_NEG	bidir	159	197	—	controlr	
161	—	controlr		198	SCL	bidir	197
162	HIRDY_NEG	bidir	161				
163	—	controlr					
164	HFRAME_NEG	bidir	163				
165	HCLK	input					
166	HCBE[2]_NEG	bidir	177				
167	HAD[16]	bidir	174				
168	HAD[17]	bidir	174				
169	HAD[18]	bidir	174				
170	HAD[19]	bidir	174				
171	HAD[20]	bidir	174				
172	HAD[21]	bidir	174				
173	HAD[22]	bidir	174				
174	—	controlr					
175	HAD[23]	bidir	174				
176	HIDSEL	input					
177	—	controlr					
178	HCBE[3]_NEG	bidir	177				
179	HAD[24]	bidir	186				
180	HAD[25]	bidir	186				

A.5 Electrical Characteristics

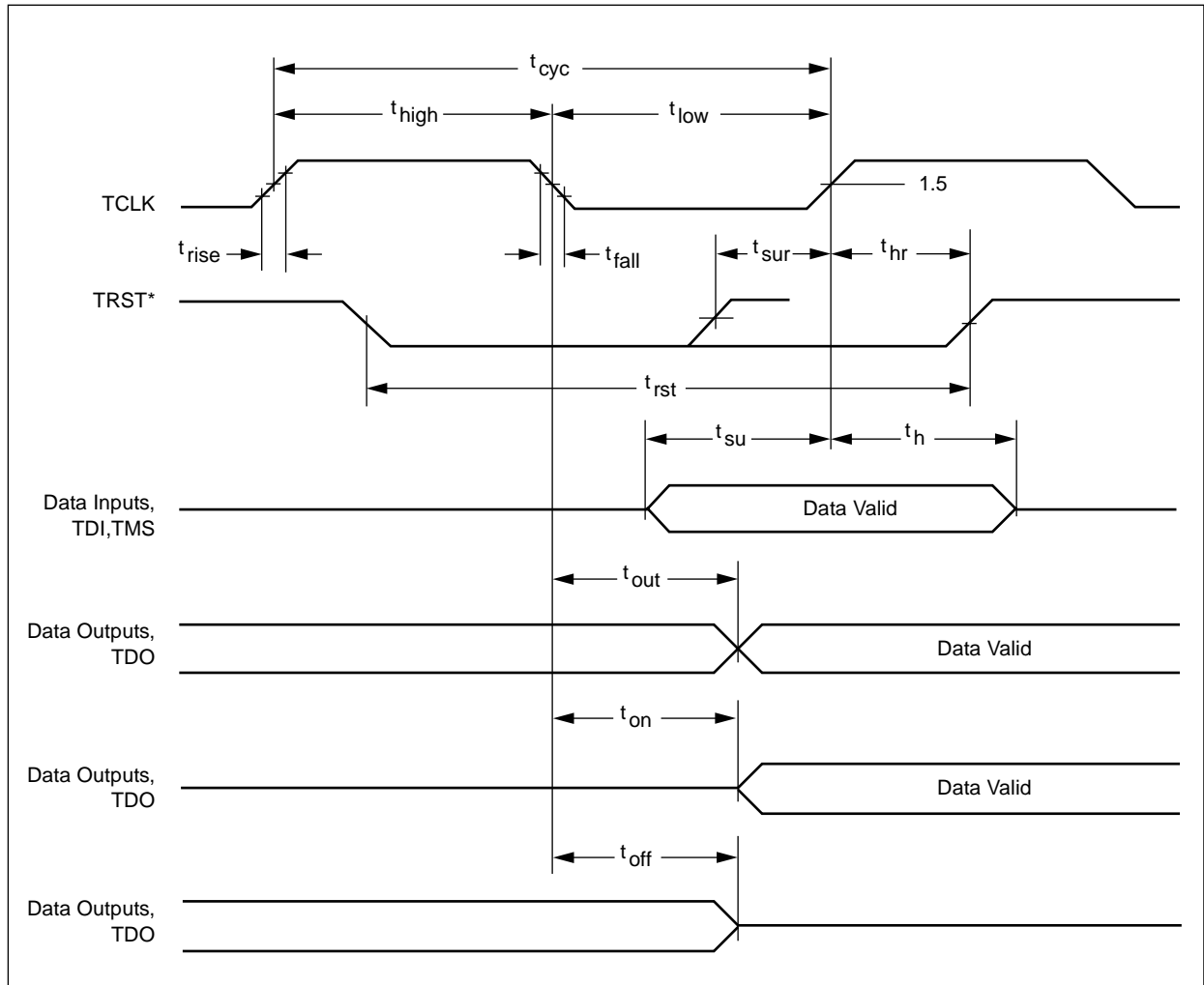
This section describes the electrical characteristics for boundary scan. [Table A-5](#) provides timing specifications and [Figure A-6](#) shows a timing diagram.

Table A-5. Timing Specifications

Symbol	Description	Min	Max	Unit
—	TCLK Frequency	—	20	MHz
t_{cyc}	TCLK Cycle	50	—	ns
t_{high}	TCLK High Pulse Width	20	30	ns
t_{low}	TCLK Low Pulse Width	20	30	ns
t_{rise}	TCLK Rise	1	4	ns
t_{fall}	TCLK Fall	1	4	ns
t_{sur}	TRST* Inactive to TCLK Rising Edge ⁽¹⁾	5	—	ns
t_{hr}	TRST* Inactive after TCLK Rising Edge ⁽¹⁾	5	—	ns
t_{rst}	TRST* Active	1	—	t_{cyc}
t_{su}	TDI, TMS, and Data Inputs Setup	5	—	ns
t_h	TDI, TMS, and Data Inputs Hold	5	—	ns
t_{out}	TDO and Data Outputs Valid	—	10	ns
t_{on}	TDO and Data Outputs Float to Valid	—	10	ns
t_{off}	TDO and Data Outputs Valid to Float	—	10	ns

NOTE(S):
⁽¹⁾ TRST* going inactive timing only required if TMS = 0 at the rising edge of TCLK.

Table A-6. Timing Diagram



100074_104

A.6 Boundary Scan Description Language (BSDL) File

To obtain an electronic copy of this file, go to the Mindspeed web site at www.mindspeed.com.

```
-----
-- Boundary Scan Description Language (IEEE 1149.1b)
-- BSDL for Device Rs8234
-- BSDL File Created by 'topgen' revision 3.1
-- (c) Conexant Systems Inc.
-----
```

```
entity Rs8234 is generic (PHYSICAL_PIN_MAP : string := "BGA_352");
```

```
port (
    STAT0           : out    bit;
    RAMMODE         : in     bit;
    MWE3_NEG        : out    bit;
    MWE2_NEG        : out    bit;
    OUTGND0         : linkage bit;
    OUTVDD0         : linkage bit;
    MWE1_NEG        : out    bit;
    MWE0_NEG        : out    bit;
    MOE_NEG         : out    bit;
    MWR_NEG         : out    bit;
    OUTVDD1         : linkage bit;
    MCS3_NEG        : out    bit;
    MCS2_NEG        : out    bit;
    MCS1_NEG        : out    bit;
    MCS0_NEG        : out    bit;
    OUTGND1         : linkage bit;
    OUTVDD2         : linkage bit;
    OUTVDD3         : linkage bit;
    CLKD3           : out    bit;
    OUTVDD4         : linkage bit;
    OUTGND2         : linkage bit;
    SYSCLK          : out    bit;
    OUTGND3         : linkage bit;
    CLK2X           : in     bit;
    OUTVDD5         : linkage bit;
    OUTGND4         : linkage bit;
    LDATA31         : inout  bit;
    LDATA30         : inout  bit;
    LDATA29         : inout  bit;
    LDATA28         : inout  bit;
    OUTVDD6         : linkage bit;
```

```

LDATA27      : inout  bit;
LDATA26      : inout  bit;
LDATA25      : inout  bit;
LDATA24      : inout  bit;
OUTGND5      : linkage bit;
OUTVDD7      : linkage bit;
LDATA23      : inout  bit;
LDATA22      : inout  bit;
LDATA21      : inout  bit;
OUTVDD8      : linkage bit;
LDATA20      : inout  bit;
LDATA19      : inout  bit;
LDATA18      : inout  bit;
OUTGND6      : linkage bit;
LDATA17      : inout  bit;
LDATA16      : inout  bit;
LDATA15      : inout  bit;
LDATA14      : inout  bit;
LDATA13      : inout  bit;
OUTGND7      : linkage bit;
LDATA12      : inout  bit;
LDATA11      : inout  bit;
LDATA10      : inout  bit;
LDATA9       : inout  bit;
LDATA8       : inout  bit;
OUTGND8      : linkage bit;
LDATA7       : inout  bit;
LDATA6       : inout  bit;
LDATA5       : inout  bit;
LDATA4       : inout  bit;
OUTVDD9      : linkage bit;
LDATA3       : inout  bit;
LDATA2       : inout  bit;
LDATA1       : inout  bit;
LDATA0       : inout  bit;
OUTGND9      : linkage bit;
OUTVDD10     : linkage bit;
CGND0        : linkage bit;
CVDD0        : linkage bit;
OUTGND10     : linkage bit;
OUTGND11     : linkage bit;
OUTVDD11     : linkage bit;
RXPAR        : in     bit;
RXD7         : in     bit;
RXD6         : in     bit;
RXD5         : in     bit;
RXD4         : in     bit;
RXD3         : in     bit;
RXD2         : in     bit;

```

```

RXD1           : in      bit;
OUTGND12       : linkage bit;
OUTVDD12       : linkage bit;
RXD0           : in      bit;
RXMARK         : in      bit;
RXEN_NEG       : inout   bit;
OUTGND13       : linkage bit;
RXFLAG_NEG     : inout   bit;
OUTVDD13       : linkage bit;
FRCFG0         : in      bit;
FRCFG1         : in      bit;
FRCTRL         : in      bit;
OUTGND14       : linkage bit;
OUTVDD14       : linkage bit;
OUTGND15       : linkage bit;
OUTVDD15       : linkage bit;
TXEN_NEG       : inout   bit;
TXMARK         : out     bit;
TXFLAG_NEG     : inout   bit;
TXPAR         : out     bit;
TXD7           : out     bit;
TXD6           : out     bit;
OUTGND16       : linkage bit;
OUTVDD16       : linkage bit;
TXD5           : out     bit;
TXD4           : out     bit;
TXD3           : out     bit;
TXD2           : out     bit;
TXD1           : out     bit;
TXD0           : out     bit;
OUTVDD17       : linkage bit;
OUTGND17       : linkage bit;
OUTVDD18       : linkage bit;
OUTVDD19       : linkage bit;
CGND1          : linkage bit;
CVDD1          : linkage bit;
TCLK           : in      bit;
OUTVDD20       : linkage bit;
TRST_NEG       : in      bit;
TMS            : in      bit;
TDO            : out     bit;
TDI            : in      bit;
OUTVDD21       : linkage bit;
SCL            : inout   bit;
SDA            : inout   bit;
PCI5V          : in      bit;
OUTGND18       : linkage bit;
OUTVDD22       : linkage bit;
HINT_NEG       : inout   bit;

```

```

OUTVDD23           : linkage bit;
OUTGND19           : linkage bit;
OUTVDD24           : linkage bit;
HRST_NEG           : inout  bit;
OUTGND20           : linkage bit;
HGNT_NEG           : inout  bit;
HREQ_NEG           : inout  bit;
OUTGND21           : linkage bit;
HAD31              : inout  bit;
HAD30              : inout  bit;
HAD29              : inout  bit;
OUTVDD25           : linkage bit;
HAD28              : inout  bit;
HAD27              : inout  bit;
HAD26              : inout  bit;
HAD25              : inout  bit;
HAD24              : inout  bit;
OUTGND22           : linkage bit;
OUTVDD26           : linkage bit;
HCBE3_NEG          : inout  bit;
HIDSEL             : inout  bit;
HAD23              : inout  bit;
OUTVDD27           : linkage bit;
HAD22              : inout  bit;
HAD21              : inout  bit;
HAD20              : inout  bit;
HAD19              : inout  bit;
OUTGND23           : linkage bit;
HAD18              : inout  bit;
HAD17              : inout  bit;
HAD16              : inout  bit;
HCBE2_NEG          : inout  bit;
OUTGND24           : linkage bit;
OUTVDD28           : linkage bit;
HCLK               : inout  bit;
OUTGND25           : linkage bit;
HFRAME_NEG         : inout  bit;
HIRDY_NEG          : inout  bit;
HTRDY_NEG          : inout  bit;
HDEVSEL_NEG        : inout  bit;
HSTOP_NEG          : inout  bit;
HPERR_NEG          : inout  bit;
HSERR_NEG          : inout  bit;
OUTGND26           : linkage bit;
OUTVDD29           : linkage bit;
HPAR               : inout  bit;
HCBE1_NEG          : inout  bit;
HAD15              : inout  bit;
HAD14              : inout  bit;

```

```

HAD13           : inout  bit;
OUTVDD30        : linkage bit;
OUTGND27        : linkage bit;
HAD12           : inout  bit;
HAD11           : inout  bit;
HAD10           : inout  bit;
HAD9            : inout  bit;
HAD8            : inout  bit;
OUTGND28        : linkage bit;
OUTVDD31        : linkage bit;
HCBE0_NEG      : inout  bit;
HAD7            : inout  bit;
HAD6            : inout  bit;
HAD5            : inout  bit;
HAD4            : inout  bit;
OUTGND29        : linkage bit;
OUTVDD32        : linkage bit;
HAD3            : inout  bit;
HAD2            : inout  bit;
HAD1            : inout  bit;
HAD0            : inout  bit;
OUTGND30        : linkage bit;
OUTGND31        : linkage bit;
OUTVDD33        : linkage bit;
OUTGND32        : linkage bit;
OUTVDD34        : linkage bit;
OUTGND33        : linkage bit;
OUTVDD35        : linkage bit;
OUTGND34        : linkage bit;
OUTVDD36        : linkage bit;
OUTGND35        : linkage bit;
CGND2           : linkage bit;
CVDD2           : linkage bit;
PROCMODE        : in     bit;
PRST_NEG        : out    bit;
PINT_NEG        : out    bit;
PFAIL_NEG       : in     bit;
OUTGND36        : linkage bit;
OUTVDD37        : linkage bit;
PDAEN_NEG       : inout  bit;
PCS_NEG         : inout  bit;
PAS_NEG         : inout  bit;
PBLAST_NEG      : inout  bit;
PWAIT_NEG       : in     bit;
PRDY_NEG        : out    bit;
PWRN            : inout  bit;
OUTGND37        : linkage bit;
OUTVDD38        : linkage bit;
PBE3_NEG        : in     bit;

```

```

PBE2_NEG           : in      bit;
PBE1_NEG           : in      bit;
OUTGND38           : linkage bit;
OUTVDD39           : linkage bit;
PBE0_NEG           : in      bit;
PBSEL1             : in      bit;
PBSEL0             : in      bit;
PADDR1             : in      bit;
PADDR0             : in      bit;
OUTGND39           : linkage bit;
OUTVDD40           : linkage bit;
LADDR18            : inout   bit;
LADDR17            : inout   bit;
LADDR16            : inout   bit;
LADDR15            : inout   bit;
LADDR14            : inout   bit;
OUTGND40           : linkage bit;
OUTVDD41           : linkage bit;
LADDR13            : inout   bit;
LADDR12            : inout   bit;
LADDR11            : inout   bit;
LADDR10            : inout   bit;
LADDR9             : inout   bit;
LADDR8             : inout   bit;
OUTGND41           : linkage bit;
OUTVDD42           : linkage bit;
LADDR7             : inout   bit;
LADDR6             : inout   bit;
LADDR5             : inout   bit;
LADDR4             : inout   bit;
LADDR3             : inout   bit;
LADDR2             : inout   bit;
OUTGND42           : linkage bit;
OUTVDD43           : linkage bit;
LADDR1             : out      bit;
LADDR0             : out      bit;
OUTGND43           : linkage bit;
OUTVDD44           : linkage bit;
OUTGND44           : linkage bit;
PVGG0              : linkage bit;
CGND3              : linkage bit;
CVDD3              : linkage bit;
STAT1              : out      bit
);

-- Libraries
-- bcad won't recognize the reference to the work library.
-- use work.STD_1149_1_1994.all;
use STD_1149_1_1994.all;

```

```
attribute COMPONENT_CONFORMANCE of Rs8234 : entity is
  "STD_1149_1_1993";
```

```
attribute PIN_MAP of Rs8234 : entity is PHYSICAL_PIN_MAP;
```

```
constant BGA_352: PIN_MAP_STRING :=
  "STAT0           : F1, " &
  "RAMMODE         : G4, " &
  "MWE3_NEG        : G3, " &
  "MWE2_NEG        : G2, " &
  "OUTGND0         : G1, " &
  "OUTVDD0         : H4, " &
  "MWE1_NEG        : H3, " &
  "MWE0_NEG        : H2, " &
  "MOE_NEG         : H1, " &
  "MWR_NEG         : J4, " &
  "OUTVDD1         : J3, " &
  "MCS3_NEG        : J2, " &
  "MCS2_NEG        : J1, " &
  "MCS1_NEG        : K4, " &
  "MCS0_NEG        : K3, " &
  "OUTGND1         : K2, " &
  "OUTVDD2         : K1, " &
  "OUTVDD3         : L3, " &
  "CLKD3           : L2, " &
  "OUTVDD4         : L1, " &
  "OUTGND2         : M3, " &
  "SYSCLK          : M2, " &
  "OUTGND3         : M1, " &
  "CLK2X           : N4, " &
  "OUTVDD5         : N3, " &
  "OUTGND4         : N2, " &
  "LDATA31         : N1, " &
  "LDATA30         : P1, " &
  "LDATA29         : P2, " &
  "LDATA28         : P3, " &
  "OUTVDD6         : P4, " &
  "LDATA27         : R1, " &
  "LDATA26         : R2, " &
  "LDATA25         : R3, " &
  "LDATA24         : R4, " &
  "OUTGND5         : T1, " &
  "OUTVDD7         : T2, " &
  "LDATA23         : T3, " &
  "LDATA22         : T4, " &
  "LDATA21         : U1, " &
  "OUTVDD8         : U2, " &
  "LDATA20         : U3, " &
```



```

"LDATA19           : U4 , " &
"LDATA18           : V1 , " &
"OUTGND6           : V2 , " &
"LDATA17           : V3 , " &
"LDATA16           : V4 , " &
"LDATA15           : W1 , " &
"LDATA14           : W2 , " &
"LDATA13           : W3 , " &
"OUTGND7           : W4 , " &
"LDATA12           : Y1 , " &
"LDATA11           : Y2 , " &
"LDATA10           : Y3 , " &
"LDATA9            : Y4 , " &
"LDATA8            : AA1 , " &
"OUTGND8           : AA2 , " &
"LDATA7            : AA3 , " &
"LDATA6            : AA4 , " &
"LDATA5            : AB1 , " &
"LDATA4            : AB2 , " &
"OUTVDD9           : AB3 , " &
"LDATA3            : AB4 , " &
"LDATA2            : AC1 , " &
"LDATA1            : AC2 , " &
"LDATA0            : AC3 , " &
"OUTGND9           : AD1 , " &
"OUTVDD10          : AD2 , " &
"CGND0             : AF1 , " &
"CVDD0             : AE2 , " &
"OUTGND10          : AC4 , " &
"OUTGND11          : AF4 , " &
"OUTVDD11          : AC5 , " &
"RXPAR             : AD5 , " &
"RXD7              : AE7 , " &
"RXD6              : AF7 , " &
"RXD5              : AC8 , " &
"RXD4              : AD8 , " &
"RXD3              : AE8 , " &
"RXD2              : AF8 , " &
"RXD1              : AC9 , " &
"OUTGND12          : AD9 , " &
"OUTVDD12          : AE9 , " &
"RXD0              : AF9 , " &
"RXMARK            : AC10 , " &
"RXEN_NEG          : AD10 , " &
"OUTGND13          : AE10 , " &
"RXFLAG_NEG        : AE11 , " &
"OUTVDD13          : AC12 , " &
"FRFCFG0           : AE12 , " &
"FRFCFG1           : AF12 , " &

```

```

"FRCTRL           : AC13, " &
"OUTGND14        : AD13, " &
"OUTVDD14        : AE13, " &
"OUTGND15        : AF14, " &
"OUTVDD15        : AE14, " &
"TXEN_NEG        : AC14, " &
"TXMARK          : AF15, " &
"TXFLAG_NEG      : AF16, " &
"TXPAR           : AE16, " &
"TXD7            : AF19, " &
"TXD6            : AE19, " &
"OUTGND16        : AD19, " &
"OUTVDD16        : AC19, " &
"TXD5            : AF20, " &
"TXD4            : AE20, " &
"TXD3            : AD20, " &
"TXD2            : AC20, " &
"TXD1            : AF21, " &
"TXD0            : AE21, " &
"OUTVDD17        : AD21, " &
"OUTGND17        : AF23, " &
"OUTVDD18        : AE23, " &
"OUTVDD19        : AF24, " &
"CGND1           : AF26, " &
"CVDD1           : AE25, " &
"TCCLK           : AC23, " &
"OUTVDD20        : AE26, " &
"TRST_NEG        : AD25, " &
"TMS             : AD26, " &
"TDO             : AC24, " &
"TDI             : AC25, " &
"OUTVDD21        : AC26, " &
"SCL             : AB23, " &
"SDA             : AB24, " &
"PCI5V           : AB26, " &
"OUTGND18        : AA23, " &
"OUTVDD22        : AA24, " &
"HINT_NEG        : AA25, " &
"OUTVDD23        : AD16, " &
"OUTGND19        : AF18, " &
"OUTVDD24        : AA26, " &
"HRST_NEG        : Y23, " &
"OUTGND20        : Y24, " &
"HGNT_NEG        : Y25, " &
"HREQ_NEG        : Y26, " &
"OUTGND21        : W23, " &
"HAD31           : W24, " &
"HAD30           : W25, " &
"HAD29           : W26, " &

```

```

"OUTVDD25           : V23, " &
"HAD28              : V24, " &
"HAD27              : V25, " &
"HAD26              : V26, " &
"HAD25              : U23, " &
"HAD24              : U24, " &
"OUTGND22           : U25, " &
"OUTVDD26           : U26, " &
"HCBE3_NEG          : T23, " &
"HIDSEL             : T24, " &
"HAD23              : T25, " &
"OUTVDD27           : T26, " &
"HAD22              : R23, " &
"HAD21              : R24, " &
"HAD20              : R25, " &
"HAD19              : R26, " &
"OUTGND23           : P23, " &
"HAD18              : P24, " &
"HAD17              : P25, " &
"HAD16              : P26, " &
"HCBE2_NEG          : N26, " &
"OUTGND24           : N25, " &
"OUTVDD28           : N24, " &
"HCLK               : N23, " &
"OUTGND25           : M26, " &
"HFRAME_NEG         : M25, " &
"HIRDY_NEG          : M24, " &
"HTRDY_NEG          : M23, " &
"HDEVSEL_NEG        : L26, " &
"HSTOP_NEG          : L25, " &
"HPERR_NEG          : L24, " &
"HSERR_NEG          : L23, " &
"OUTGND26           : K26, " &
"OUTVDD29           : K25, " &
"HPAR               : K24, " &
"HCBE1_NEG          : K23, " &
"HAD15              : J26, " &
"HAD14              : J25, " &
"HAD13              : J24, " &
"OUTVDD30           : J23, " &
"OUTGND27           : H26, " &
"HAD12              : H25, " &
"HAD11              : H24, " &
"HAD10              : H23, " &
"HAD9               : G26, " &
"HAD8               : G25, " &
"OUTGND28           : G24, " &
"OUTVDD31           : G23, " &
"HCBE0_NEG          : F26, " &

```

A.6 Boundary Scan Description Language (BSDL) File

ATM ServiceSAR Plus with xBR Traffic Management

```

"HAD7           : F25, " &
"HAD6           : F24, " &
"HAD5           : F23, " &
"HAD4           : E26, " &
"OUTGND29      : E25, " &
"OUTVDD32      : E24, " &
"HAD3           : E23, " &
"HAD2           : D26, " &
"HAD1           : D25, " &
"HAD0           : D24, " &
"OUTGND30      : C26, " &
"OUTGND31      : A26, " &
"OUTVDD33      : B25, " &
"OUTGND32      : B24, " &
"OUTVDD34      : A24, " &
"OUTGND33      : A23, " &
"OUTVDD35      : D21, " &
"OUTGND34      : C20, " &
"OUTVDD36      : B19, " &
"OUTGND35      : A18, " &
"CGND2         : D16, " &
"CVDD2         : C16, " &
"PROCMODE      : B16, " &
"PRST_NEG      : A16, " &
"PINT_NEG      : D15, " &
"PFAIL_NEG     : C15, " &
"OUTGND36      : B14, " &
"OUTVDD37      : A14, " &
"PDAEN_NEG     : B15, " &
"PCS_NEG       : A15, " &
"PAS_NEG       : D14, " &
"PBLAST_NEG    : C14, " &
"PWAIT_NEG     : A13, " &
"PRDY_NEG     : B13, " &
"PWNR          : C13, " &
"OUTGND37      : D13, " &
"OUTVDD38      : A12, " &
"PBE3_NEG      : B12, " &
"PBE2_NEG      : C12, " &
"PBE1_NEG      : D12, " &
"OUTGND38      : A11, " &
"OUTVDD39      : B11, " &
"PBE0_NEG      : C11, " &
"PBSEL1        : D11, " &
"PBSEL0        : A10, " &
"PADDR1        : B10, " &
"PADDR0        : C10, " &
"OUTGND39      : D10, " &
"OUTVDD40      : A9, " &

```

```

"LADDR18           : B9, " &
"LADDR17           : C9, " &
"LADDR16           : D9, " &
"LADDR15           : A8, " &
"LADDR14           : B8, " &
"OUTGND40          : C8, " &
"OUTVDD41          : D8, " &
"LADDR13           : A7, " &
"LADDR12           : B7, " &
"LADDR11           : C7, " &
"LADDR10           : D7, " &
"LADDR9            : A6, " &
"LADDR8            : B6, " &
"OUTGND41          : C6, " &
"OUTVDD42          : D6, " &
"LADDR7            : A5, " &
"LADDR6            : B5, " &
"LADDR5            : C5, " &
"LADDR4            : D5, " &
"LADDR3            : A4, " &
"LADDR2            : B4, " &
"OUTGND42          : B3, " &
"OUTVDD43          : A2, " &
"LADDR1            : C4, " &
"LADDR0            : A3, " &
"OUTGND43          : A1, " &
"OUTVDD44          : B2, " &
"OUTGND44          : C1, " &
"PVGG0             : E4, " &
"CGND3             : E2, " &
"CVDD3             : E1, " &
"STAT1             : F2";

```

```
-- TAP Port Name Attributes
```

```

attribute TAP_SCAN_IN    of TDI      : signal is true;
attribute TAP_SCAN_OUT   of TDO      : signal is true;
attribute TAP_SCAN_MODE  of TMS      : signal is true;
attribute TAP_SCAN_CLOCK of TCLK     : signal is (1.0e+07, BOTH);
attribute TAP_SCAN_RESET of TRST_NEG : signal is true;

```

```
-- Instruction Register Attributes
```

```
attribute INSTRUCTION_LENGTH of Rs8234 : entity is 4;
```

```
attribute INSTRUCTION_OPCODE of Rs8234 : entity is
```

```

"EXTEST   (0000), " &
"RSTHIGH  (0001), " &
"SAMPLE   (0010), " &
"TMWAFIFO (0011), " &
"TMWBFIFO (0100), " &

```

```

"TMRFIFO (0101)," &
"TSEGFIFO (0110)," &
"TRSMFIFO (0111)," &
"T38AFIFO (1000)," &
"T38BFIFO (1001)," &
"IDCODE (1010)," &
"HIGHZ (1011)," &
"RSVD0 (1100)," &
"RSVD1 (1101)," &
"RSVD2 (1110)," &
"BYPASS (1111)";

```

```
attribute INSTRUCTION_CAPTURE of Rs8234 : entity is "0001";
```

```
attribute INSTRUCTION_PRIVATE of Rs8234 : entity is
```

```

"RSTHIGH," &
"TMWAFIFO," &
"TMWBFIFO," &
"TMRFIFO," &
"TSEGFIFO," &
"TRSMFIFO," &
"T38AFIFO," &
"T38BFIFO," &
"RSVD0," &
"RSVD1," &
"RSVD2";

```

```
attribute IDCODE_REGISTER of Rs8234 : entity is
```

```

"0101" & -- Version
"1000001000110100" & -- Part Number
"00000010011" & -- Manufacturer's ID
"1";

```

```
attribute REGISTER_ACCESS of Rs8234 : entity is
```

```

"BYPASS (BYPASS, HIGHZ, RSTHIGH, TMWAFIFO, TMWBFIFO, TMRFIFO, TSEGFIFO,
TRSMFIFO, T38AFIFO, T38BFIFO, RSVD0, RSVD1)," &
"BOUNDARY (EXTEST, SAMPLE, RSVD2)," &
"DEVICE_ID (IDCODE)";

```

```
-- Boundary Register Attributes
```

```
attribute BOUNDARY_LENGTH of Rs8234 : entity is 249;
```

```
attribute BOUNDARY_REGISTER of Rs8234 : entity is
```

```

-- num   cell   port           function safe ccell dsval  rslt
"0   (BC_1,  STAT1           ,   output3,   X,   30,   1,   Z)," &
"1   (BC_1,  LADDR0          ,   output3,   X,   30,   1,   Z)," &
"2   (BC_1,  LADDR1          ,   output3,   X,   30,   1,   Z)," &
"3   (BC_7,  LADDR2          ,   bidir,    X,   19,   1,   Z)," &
"4   (BC_7,  LADDR3          ,   bidir,    X,   19,   1,   Z)," &

```

```

"5    (BC_7,  LADDR4      ,      bidir,  X,    19,    1,    Z), " &
"6    (BC_7,  LADDR5      ,      bidir,  X,    19,    1,    Z), " &
"7    (BC_7,  LADDR6      ,      bidir,  X,    19,    1,    Z), " &
"8    (BC_7,  LADDR7      ,      bidir,  X,    19,    1,    Z), " &
"9    (BC_7,  LADDR8      ,      bidir,  X,    19,    1,    Z), " &
"10   (BC_7,  LADDR9      ,      bidir,  X,    19,    1,    Z), " &
"11   (BC_7,  LADDR10     ,      bidir,  X,    19,    1,    Z), " &
"12   (BC_7,  LADDR11     ,      bidir,  X,    19,    1,    Z), " &
"13   (BC_7,  LADDR12     ,      bidir,  X,    19,    1,    Z), " &
"14   (BC_7,  LADDR13     ,      bidir,  X,    19,    1,    Z), " &
"15   (BC_7,  LADDR14     ,      bidir,  X,    19,    1,    Z), " &
"16   (BC_7,  LADDR15     ,      bidir,  X,    19,    1,    Z), " &
"17   (BC_7,  LADDR16     ,      bidir,  X,    19,    1,    Z), " &
"18   (BC_7,  LADDR17     ,      bidir,  X,    19,    1,    Z), " &
"19   (BC_1,  *           ,      control, 1), " &
"20   (BC_7,  LADDR18     ,      bidir,  X,    19,    1,    Z), " &
"21   (BC_4,  PADDR0      ,      input,  X), " &
"22   (BC_4,  PADDR1      ,      input,  X), " &
"23   (BC_4,  PBSEL0      ,      input,  X), " &
"24   (BC_4,  PBSEL1      ,      input,  X), " &
"25   (BC_4,  PBE0_NEG     ,      input,  X), " &
"26   (BC_4,  PBE1_NEG     ,      input,  X), " &
"27   (BC_4,  PBE2_NEG     ,      input,  X), " &
"28   (BC_4,  PBE3_NEG     ,      input,  X), " &
"29   (BC_7,  PWNR        ,      bidir,  X,    35,    1,    Z), " &
"30   (BC_1,  *           ,      control, 1), " &
"31   (BC_1,  PRDY_NEG     ,      output3, X,    30,    1,    Z), " &
"32   (BC_4,  PWAIT_NEG    ,      input,  X), " &
"33   (BC_7,  PBLAST_NEG   ,      bidir,  X,    35,    1,    Z), " &
"34   (BC_7,  PAS_NEG      ,      bidir,  X,    35,    1,    Z), " &
"35   (BC_1,  *           ,      control, 1), " &
"36   (BC_7,  PCS_NEG      ,      bidir,  X,    35,    1,    Z), " &
"37   (BC_1,  *           ,      control, 1), " &
"38   (BC_7,  PDAEN_NEG    ,      bidir,  X,    37,    1,    Z), " &
"39   (BC_4,  PFAIL_NEG    ,      input,  X), " &
"40   (BC_1,  *           ,      control, 1), " &
"41   (BC_1,  PINT_NEG     ,      output3, X,    40,    1,    Z), " &
"42   (BC_1,  PRST_NEG     ,      output3, X,    30,    1,    Z), " &
"43   (BC_4,  PROCMODE     ,      input,  X), " &
"44   (BC_7,  HAD0         ,      bidir,  X,    60,    1,    Z), " &
"45   (BC_7,  HAD1         ,      bidir,  X,    60,    1,    Z), " &
"46   (BC_7,  HAD2         ,      bidir,  X,    60,    1,    Z), " &
"47   (BC_7,  HAD3         ,      bidir,  X,    60,    1,    Z), " &
"48   (BC_7,  HAD4         ,      bidir,  X,    60,    1,    Z), " &
"49   (BC_7,  HAD5         ,      bidir,  X,    60,    1,    Z), " &
"50   (BC_1,  *           ,      internal, X), " &
"51   (BC_1,  *           ,      internal, X), " &
"52   (BC_1,  *           ,      internal, X), " &
"53   (BC_4,  *           ,      internal, X), " &

```

```

"54 (BC_4, * , internal, X)," &
"55 (BC_4, * , internal, X)," &
"56 (BC_4, * , internal, X)," &
"57 (BC_4, * , internal, X)," &
"58 (BC_4, * , internal, X)," &
"59 (BC_7, HAD6 , bidir, X, 60, 1, Z)," &
"60 (BC_1, * , control, 1)," &
"61 (BC_7, HAD7 , bidir, X, 60, 1, Z)," &
"62 (BC_7, HCBE0_NEG , bidir, X, 102, 1, Z)," &
"63 (BC_7, HAD8 , bidir, X, 70, 1, Z)," &
"64 (BC_7, HAD9 , bidir, X, 70, 1, Z)," &
"65 (BC_7, HAD10 , bidir, X, 70, 1, Z)," &
"66 (BC_7, HAD11 , bidir, X, 70, 1, Z)," &
"67 (BC_7, HAD12 , bidir, X, 70, 1, Z)," &
"68 (BC_7, HAD13 , bidir, X, 70, 1, Z)," &
"69 (BC_7, HAD14 , bidir, X, 70, 1, Z)," &
"70 (BC_1, * , control, 1)," &
"71 (BC_7, HAD15 , bidir, X, 70, 1, Z)," &
"72 (BC_7, HCBE1_NEG , bidir, X, 102, 1, Z)," &
"73 (BC_1, * , control, 1)," &
"74 (BC_7, HPAR , bidir, X, 73, 1, Z)," &
"75 (BC_1, * , control, 1)," &
"76 (BC_7, HSERR_NEG , bidir, X, 75, 1, Z)," &
"77 (BC_1, * , control, 1)," &
"78 (BC_7, HPERR_NEG , bidir, X, 77, 1, Z)," &
"79 (BC_1, * , control, 1)," &
"80 (BC_7, HSTOP_NEG , bidir, X, 79, 1, Z)," &
"81 (BC_1, * , control, 1)," &
"82 (BC_7, HDEVSEL_NEG , bidir, X, 81, 1, Z)," &
"83 (BC_1, * , control, 1)," &
"84 (BC_7, HTRDY_NEG , bidir, X, 83, 1, Z)," &
"85 (BC_1, * , control, 1)," &
"86 (BC_7, HIRDY_NEG , bidir, X, 85, 1, Z)," &
"87 (BC_1, * , control, 1)," &
"88 (BC_7, HFRAME_NEG , bidir, X, 87, 1, Z)," &
"89 (BC_4, HCLK , input, X)," &
"90 (BC_4, * , internal, X)," &
"91 (BC_7, HCBE2_NEG , bidir, X, 102, 1, Z)," &
"92 (BC_7, HAD16 , bidir, X, 99, 1, Z)," &
"93 (BC_7, HAD17 , bidir, X, 99, 1, Z)," &
"94 (BC_7, HAD18 , bidir, X, 99, 1, Z)," &
"95 (BC_7, HAD19 , bidir, X, 99, 1, Z)," &
"96 (BC_7, HAD20 , bidir, X, 99, 1, Z)," &
"97 (BC_7, HAD21 , bidir, X, 99, 1, Z)," &
"98 (BC_7, HAD22 , bidir, X, 99, 1, Z)," &
"99 (BC_1, * , control, 1)," &
"100 (BC_7, HAD23 , bidir, X, 99, 1, Z)," &
"101 (BC_4, HIDSEL , input, X)," &
"102 (BC_1, * , control, 1)," &

```



```

"103 (BC_7, HCBE3_NEG , bidir, X, 102, 1, Z), " &
"104 (BC_7, HAD24 , bidir, X, 111, 1, Z), " &
"105 (BC_7, HAD25 , bidir, X, 111, 1, Z), " &
"106 (BC_7, HAD26 , bidir, X, 111, 1, Z), " &
"107 (BC_7, HAD27 , bidir, X, 111, 1, Z), " &
"108 (BC_7, HAD28 , bidir, X, 111, 1, Z), " &
"109 (BC_7, HAD29 , bidir, X, 111, 1, Z), " &
"110 (BC_7, HAD30 , bidir, X, 111, 1, Z), " &
"111 (BC_1, * , control, 1), " &
"112 (BC_7, HAD31 , bidir, X, 111, 1, Z), " &
"113 (BC_1, * , control, 1), " &
"114 (BC_7, HREQ_NEG , bidir, X, 113, 1, Z), " &
"115 (BC_4, HGNT_NEG , input, X), " &
"116 (BC_4, HRST_NEG , input, X), " &
"117 (BC_1, * , internal, X), " &
"118 (BC_1, * , internal, X), " &
"119 (BC_1, * , internal, X), " &
"120 (BC_1, * , internal, X), " &
"121 (BC_1, * , internal, X), " &
"122 (BC_1, * , internal, X), " &
"123 (BC_1, * , internal, X), " &
"124 (BC_1, * , internal, X), " &
"125 (BC_1, * , control, 1), " &
"126 (BC_7, HINT_NEG , bidir, X, 125, 1, Z), " &
"127 (BC_4, PCI5V , input, X), " &
"128 (BC_1, * , control, 1), " &
"129 (BC_7, SDA , bidir, X, 128, 1, Z), " &
"130 (BC_1, * , control, 1), " &
"131 (BC_7, SCL , bidir, X, 130, 1, Z), " &
"132 (BC_1, * , internal, X), " &
"133 (BC_1, * , internal, X), " &
"134 (BC_1, * , internal, X), " &
"135 (BC_1, * , internal, X), " &
"136 (BC_1, * , internal, X), " &
"137 (BC_1, * , internal, X), " &
"138 (BC_1, TXD0 , output3, X, 145, 1, Z), " &
"139 (BC_1, TXD1 , output3, X, 145, 1, Z), " &
"140 (BC_1, TXD2 , output3, X, 145, 1, Z), " &
"141 (BC_1, TXD3 , output3, X, 145, 1, Z), " &
"142 (BC_1, TXD4 , output3, X, 145, 1, Z), " &
"143 (BC_1, TXD5 , output3, X, 145, 1, Z), " &
"144 (BC_1, TXD6 , output3, X, 145, 1, Z), " &
"145 (BC_1, * , control, 1), " &
"146 (BC_1, TXD7 , output3, X, 145, 1, Z), " &
"147 (BC_1, TXPAR , output3, X, 145, 1, Z), " &
"148 (BC_1, * , control, 1), " &
"149 (BC_7, TXFLAG_NEG , bidir, X, 148, 1, Z), " &
"150 (BC_1, * , control, 1), " &
"151 (BC_1, TXMARK , output3, X, 150, 1, Z), " &

```

```

"152 (BC_1, * , control, 1)," &
"153 (BC_7, TXEN_NEG , bidir, X, 152, 1, PULL1)," &
"154 (BC_4, * , internal, X)," &
"155 (BC_4, FRCTRL , input, X)," &
"156 (BC_4, FRCFG1 , input, X)," &
"157 (BC_4, FRCFG0 , input, X)," &
"158 (BC_4, * , internal, X)," &
"159 (BC_1, * , control, 1)," &
"160 (BC_7, RXFLAG_NEG , bidir, X, 159, 1, Z)," &
"161 (BC_1, * , control, 1)," &
"162 (BC_7, RXEN_NEG , bidir, X, 161, 1, PULL1)," &
"163 (BC_4, RXMARK , input, X)," &
"164 (BC_4, RXD0 , input, X)," &
"165 (BC_4, RXD1 , input, X)," &
"166 (BC_4, RXD2 , input, X)," &
"167 (BC_4, RXD3 , input, X)," &
"168 (BC_4, RXD4 , input, X)," &
"169 (BC_4, RXD5 , input, X)," &
"170 (BC_4, RXD6 , input, X)," &
"171 (BC_4, RXD7 , input, X)," &
"172 (BC_4, RXPAR , input, X)," &
"173 (BC_1, * , internal, X)," &
"174 (BC_1, * , internal, X)," &
"175 (BC_1, * , internal, X)," &
"176 (BC_1, * , internal, X)," &
"177 (BC_1, * , internal, X)," &
"178 (BC_1, * , internal, X)," &
"179 (BC_4, * , internal, X)," &
"180 (BC_7, LDATA0 , bidir, X, 195, 1, Z)," &
"181 (BC_7, LDATA1 , bidir, X, 195, 1, Z)," &
"182 (BC_7, LDATA2 , bidir, X, 195, 1, Z)," &
"183 (BC_7, LDATA3 , bidir, X, 195, 1, Z)," &
"184 (BC_4, * , internal, X)," &
"185 (BC_4, * , internal, X)," &
"186 (BC_4, * , internal, X)," &
"187 (BC_4, * , internal, X)," &
"188 (BC_4, * , internal, X)," &
"189 (BC_4, * , internal, X)," &
"190 (BC_4, * , internal, X)," &
"191 (BC_4, * , internal, X)," &
"192 (BC_7, LDATA4 , bidir, X, 195, 1, Z)," &
"193 (BC_7, LDATA5 , bidir, X, 195, 1, Z)," &
"194 (BC_7, LDATA6 , bidir, X, 195, 1, Z)," &
"195 (BC_1, * , control, 1)," &
"196 (BC_7, LDATA7 , bidir, X, 195, 1, Z)," &
"197 (BC_7, LDATA8 , bidir, X, 204, 1, Z)," &
"198 (BC_7, LDATA9 , bidir, X, 204, 1, Z)," &
"199 (BC_7, LDATA10 , bidir, X, 204, 1, Z)," &
"200 (BC_7, LDATA11 , bidir, X, 204, 1, Z)," &

```

```

"201 (BC_7, LDATA12 , bidir, X, 204, 1, Z), " &
"202 (BC_7, LDATA13 , bidir, X, 204, 1, Z), " &
"203 (BC_7, LDATA14 , bidir, X, 204, 1, Z), " &
"204 (BC_1, * , control, 1), " &
"205 (BC_7, LDATA15 , bidir, X, 204, 1, Z), " &
"206 (BC_7, LDATA16 , bidir, X, 213, 1, Z), " &
"207 (BC_7, LDATA17 , bidir, X, 213, 1, Z), " &
"208 (BC_7, LDATA18 , bidir, X, 213, 1, Z), " &
"209 (BC_7, LDATA19 , bidir, X, 213, 1, Z), " &
"210 (BC_7, LDATA20 , bidir, X, 213, 1, Z), " &
"211 (BC_7, LDATA21 , bidir, X, 213, 1, Z), " &
"212 (BC_7, LDATA22 , bidir, X, 213, 1, Z), " &
"213 (BC_1, * , control, 1), " &
"214 (BC_7, LDATA23 , bidir, X, 213, 1, Z), " &
"215 (BC_7, LDATA24 , bidir, X, 222, 1, Z), " &
"216 (BC_7, LDATA25 , bidir, X, 222, 1, Z), " &
"217 (BC_7, LDATA26 , bidir, X, 222, 1, Z), " &
"218 (BC_7, LDATA27 , bidir, X, 222, 1, Z), " &
"219 (BC_7, LDATA28 , bidir, X, 222, 1, Z), " &
"220 (BC_7, LDATA29 , bidir, X, 222, 1, Z), " &
"221 (BC_7, LDATA30 , bidir, X, 222, 1, Z), " &
"222 (BC_1, * , control, 1), " &
"223 (BC_7, LDATA31 , bidir, X, 222, 1, Z), " &
"224 (BC_4, CLK2X , input, X), " &
"225 (BC_1, SYSCLK , output3, X, 30, 1, Z), " &
"226 (BC_4, * , internal, X), " &
"227 (BC_1, CLKD3 , output3, X, 30, 1, Z), " &
"228 (BC_1, * , internal, X), " &
"229 (BC_1, * , internal, X), " &
"230 (BC_1, MCS0_NEG , output3, X, 30, 1, Z), " &
"231 (BC_1, MCS1_NEG , output3, X, 30, 1, Z), " &
"232 (BC_1, MCS2_NEG , output3, X, 30, 1, Z), " &
"233 (BC_1, MCS3_NEG , output3, X, 30, 1, Z), " &
"234 (BC_1, MWR_NEG , output3, X, 30, 1, Z), " &
"235 (BC_1, MOE_NEG , output3, X, 30, 1, Z), " &
"236 (BC_1, MWE0_NEG , output3, X, 30, 1, Z), " &
"237 (BC_1, MWE1_NEG , output3, X, 30, 1, Z), " &
"238 (BC_1, MWE2_NEG , output3, X, 30, 1, Z), " &
"239 (BC_1, MWE3_NEG , output3, X, 30, 1, Z), " &
"240 (BC_4, RAMMODE , input, X), " &
"241 (BC_1, STAT0 , output3, X, 30, 1, Z), " &
"242 (BC_4, * , internal, X), " &
"243 (BC_4, * , internal, X), " &
"244 (BC_4, * , internal, X), " &
"245 (BC_4, * , internal, X), " &
"246 (BC_4, * , internal, X), " &
"247 (BC_4, * , internal, X), " &
"248 (BC_4, * , internal, X)";
end Rs8234;

```


Appendix B: List of Acronyms

A

AAL	ATM Adaption Layer
ABR	Available Bit Rate
ACR	Allowed Cell Rate
ATM	Asynchronous Transfer Mode

B

BASIZE	Buffer Allocation Size
BGA	Ball Grid Array
BOM	Beginning of Message
BSDL	Boundary Scan Description Language
BTAG	Beginning Tag

C

CBR	Constant Bit Rate
CCR	Current Cell Rate
CDV	Cell Delay Variation
CDVT	Cell Delay Variation Tolerance
CLP	Cell Loss Priority
CLR	Cell Loss Ratio
CI	Congestion Indication
COM	Continuation of Message
CPCS	Common Part Convergence Sublayer
CPI	Common Part Indicator
CPU	Central Processing Unit
CRC	Cyclic Redundancy Check
CSR	Control and Status Registers
CTD	Cell Transfer Delay

D

DE	Discard Eligibility
DMA	Direct Memory Access

E

EDC	Error Detection Code
EOM	End of Message
EPD	Early Packet Discard
ER	Explicit Rate
ETAG	Ending Tag
EVS	Evaluation System

F

FIFO First In First Out

GGCRA Generic Cell Rate Algorithm
GFC Generic Flow Control
GFR Guaranteed Frame Rate
GPIO General Purpose Input/Output**I**IETF Internet Engineering Task Force
ILMI Interim Local Management Interface**J**

JTAG Joint Test Action Group

LLANE LAN Emulation
LEC LAN Emulation Client
LECID LAN Emulation Client ID
LEN Length
LSB Least Significant Bit**M**Mbit Megabit
Mbps Megabits Per Second
MBS Maximum Burst Size
MIB Management Information Base
MSB Most Significant Bit**N**NI No Increase
NIC Network Interface Card
NNI Network-to-Network Interface**O**

OAM Operation And Maintenance

PPCI Peripheral Component Interconnect
PCR Peak Cell Rate
PDU Protocol Data Unit
PFE Package Forward Engine
PHY Physical Layer Device
PM Performance Monitoring
PTI Payload Type Identifier
PVC Permanent Virtual Connections (Circuit)**Q**

QoS Quality of Service

R

RDB	Rate Decision Block
RDF	Rate Decrease Factor
RM	Resource Management
RR	Relative Rate
RSM	Reassembly Coprocessor

S

SAM	Service Access Multiplexer
SBD	Segmentation Buffer Descriptor
SCR	Sustainable Cell Rate
SDU	Service Data Unit
SEG	Segmentation Coprocessor
ServiceSAR	Service Segmentation and Reassembly Controller
SMDS	Switched Multimegabit Data Service
SNMP	Simple Network Management Protocol
SRAM	Static Random Access Memory
SRC	Segmentation and Reassembly Controller Chip
SSM	Single Segment Message
ST	Segment Type
SVC	Switched Virtual Circuit (Connection)

U

UNI	User-to-Network Interface
UTOPIA	Universal Test and Operation Physical Interface for ATM
UU	User-to-User

T

TCR	Tagged Cell Rate
TTL	Transistor-Transistor Logic

U

UBR	Unspecified Bit Rate
-----	----------------------

V

VBR	Variable Bit Rate
VC	Virtual Circuit
VCC	Virtual Channel Connection
VCI	Virtual Channel Identifier
VP	Virtual Path
VPI	Virtual Path Identifier

MINDSPEED™

www.mindspeed.com

General Information:

U.S. and Canada: (800) 854-8099

International: (949) 483-6996

Headquarters - Newport Beach

4311 Jamboree Rd. P.O. Box C

Newport Beach, CA. 92658-8902