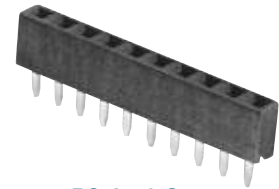
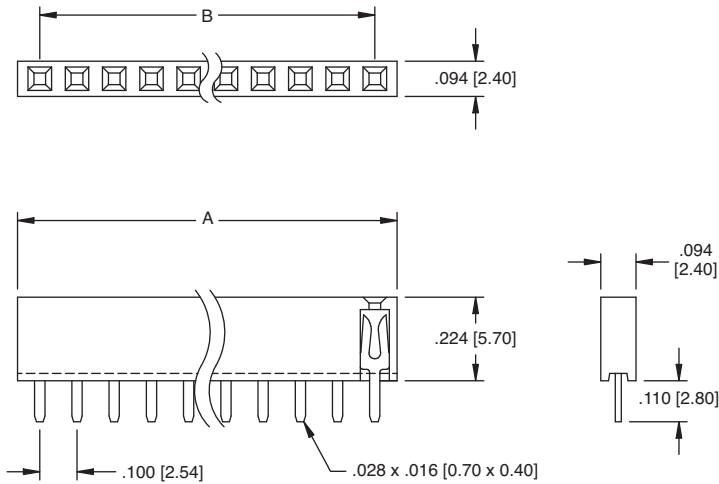


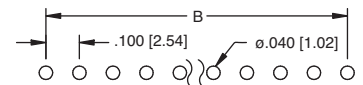
RS1L

Ordering Information pg. 307



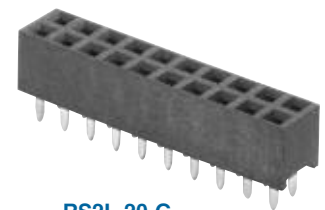
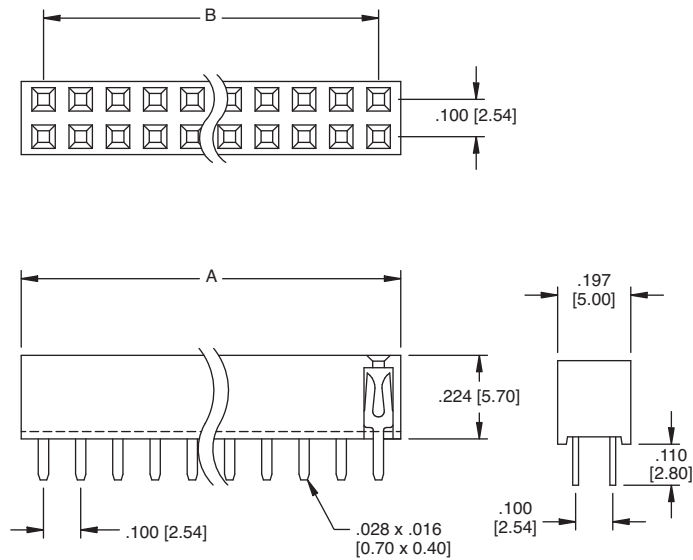
RS1L-10-G

A = $.100$ [2.54] x No. of Positions
 B = $.100$ [2.54] x No. of Spaces



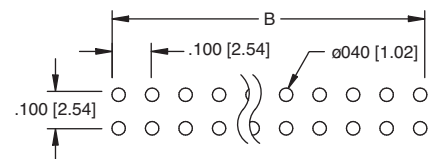
Recommended PCB Layout

RS2L



RS2L-20-G

A = $.100$ [2.54] x No. of Positions per row
 B = $.100$ [2.54] x No. of Spaces



Recommended PCB Layout