

Silicon Diffused Power Transistor

BUT11AI

GENERAL DESCRIPTION

Enhanced performance, high speed switching npn transistor in TO220AB envelope specially suited for high frequency electronic lighting ballast applications and converters, inverters, switching regulators, motor control systems etc.

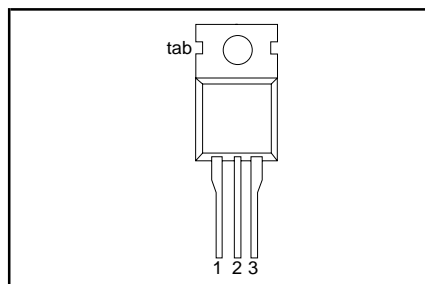
QUICK REFERENCE DATA

| SYMBOL | PARAMETER | CONDITIONS | TYP. | MAX. | UNIT |
|-------------|---------------------------------------|--|------|------|---------------|
| V_{CESM} | Collector-emitter voltage peak value | $V_{BE} = 0\text{ V}$ | - | 1000 | V |
| V_{CEO} | Collector-emitter voltage (open base) | | - | 450 | V |
| I_C | Collector current (DC) | | - | 5 | A |
| I_{CM} | Collector current peak value | | - | 10 | A |
| P_{tot} | Total power dissipation | $T_{mb} \leq 25\text{ °C}$ | - | 100 | W |
| V_{CEsat} | Collector-emitter saturation voltage | $I_C = 2.5\text{ A}; I_B = 0.33\text{ A}$ | - | 1.5 | V |
| I_{Csat} | Collector Saturation current | | 2.5 | | A |
| t_f | Inductive fall time | $I_{Con} = 2.5\text{ A}; I_{Bon} = 0.5\text{ A}$ | 0.08 | 0.15 | μs |

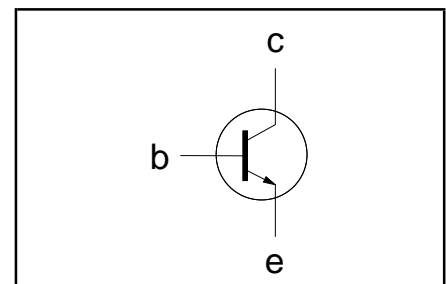
PINNING - TO220AB

| PIN | DESCRIPTION |
|-----|-------------|
| 1 | base |
| 2 | collector |
| 3 | emitter |
| tab | collector |

PIN CONFIGURATION



SYMBOL



LIMITING VALUES

Limiting values in accordance with the Absolute Maximum Rating System (IEC 134)

| SYMBOL | PARAMETER | CONDITIONS | MIN. | MAX. | UNIT |
|------------|---------------------------------------|----------------------------|------|------|--------------------|
| V_{CESM} | Collector-emitter voltage peak value | $V_{BE} = 0\text{ V}$ | - | 1000 | V |
| V_{CEO} | Collector-emitter voltage (open base) | | - | 450 | V |
| I_C | Collector current (DC) | | - | 5 | A |
| I_{CM} | Collector current peak value | | - | 10 | A |
| I_B | Base current (DC) | | - | 2 | A |
| I_{BM} | Base current peak value | | - | 4 | A |
| P_{tot} | Total power dissipation | $T_{mb} \leq 25\text{ °C}$ | - | 100 | W |
| T_{stg} | Storage temperature | | -65 | 150 | $^{\circ}\text{C}$ |
| T_j | Junction temperature | | - | 150 | $^{\circ}\text{C}$ |

THERMAL RESISTANCES

| SYMBOL | PARAMETER | CONDITIONS | TYP. | MAX. | UNIT |
|----------------|---------------------------|-------------|------|------|------|
| $R_{th\ j-mb}$ | Junction to mounting base | | - | 1.25 | K/W |
| $R_{th\ j-a}$ | Junction to ambient | in free air | - | 60 | K/W |

Silicon Diffused Power Transistor

BUT11AI

STATIC CHARACTERISTICS

$T_{mb} = 25\text{ }^\circ\text{C}$ unless otherwise specified

| SYMBOL | PARAMETER | CONDITIONS | MIN. | TYP. | MAX. | UNIT |
|---------------|--|---|------|------|------|------|
| I_{CES} | Collector cut-off current ¹ | $V_{BE} = 0\text{ V}; V_{CE} = V_{CESMmax}$ | - | - | 1.0 | mA |
| I_{CES} | | $V_{BE} = 0\text{ V}; V_{CE} = V_{CESMmax}$ | - | - | 2.0 | mA |
| I_{EBO} | Emitter cut-off current | $V_{EB} = 9.0\text{ V}; I_C = 0\text{ A}$ | - | - | 10.0 | mA |
| $V_{CEOsust}$ | Collector-emitter sustaining voltage | $I_B = 0\text{ A}; I_C = 100\text{ mA}; L = 25\text{ mH}$ | 450 | - | - | V |
| V_{CEsat} | Collector-emitter saturation voltage | $I_C = 2.5\text{ A}; I_B = 0.33\text{ A}$ | - | - | 1.5 | V |
| V_{BEsat} | Base-emitter saturation voltage | $I_C = 2.5\text{ A}; I_B = 0.33\text{ A}$ | - | - | 1.3 | V |
| h_{FE} | DC current gain | $I_C = 5\text{ mA}; V_{CE} = 5\text{ V}$ | 10 | 20 | 35 | |
| h_{FE} | | $I_C = 0.5\text{ A}; V_{CE} = 5\text{ V}$ | 14 | 22 | 35 | |
| h_{FEsat} | | $I_C = 2.5\text{ A}; V_{CE} = 5\text{ V}$ | 9 | 13 | 17 | |

DYNAMIC CHARACTERISTICS

$T_{mb} = 25\text{ }^\circ\text{C}$ unless otherwise specified

| SYMBOL | PARAMETER | CONDITIONS | TYP. | MAX. | UNIT |
|----------|--|---|------|------|---------------|
| t_{on} | Switching times resistive load Turn-on time | $I_{Con} = 2.5\text{ A}; I_{Bon} = 0.5\text{ A}; -I_{Boff} = 0.5\text{ A}$ | 0.6 | 1.0 | μs |
| t_s | Turn-off storage time | | 3.4 | 4.0 | μs |
| t_f | Turn-off fall time | | 0.6 | 0.8 | μs |
| | Switching times inductive load | $I_{Con} = 2.5\text{ A}; I_{Bon} = 0.5\text{ A}; L_B = 1\text{ }\mu\text{H}; -V_{BB} = 5\text{ V}$ | | | |
| t_s | Turn-off storage time | | 1.1 | 1.4 | μs |
| t_f | Turn-off fall time | | 80 | 150 | ns |
| t_s | Turn-off storage time | $I_{Con} = 2.5\text{ A}; I_{Bon} = 0.5\text{ A}; L_B = 1\text{ }\mu\text{H}; -V_{BB} = 5\text{ V}; T_j = 100\text{ }^\circ\text{C}$ | 1.2 | 1.5 | μs |
| t_f | Turn-off fall time | | 140 | 300 | ns |

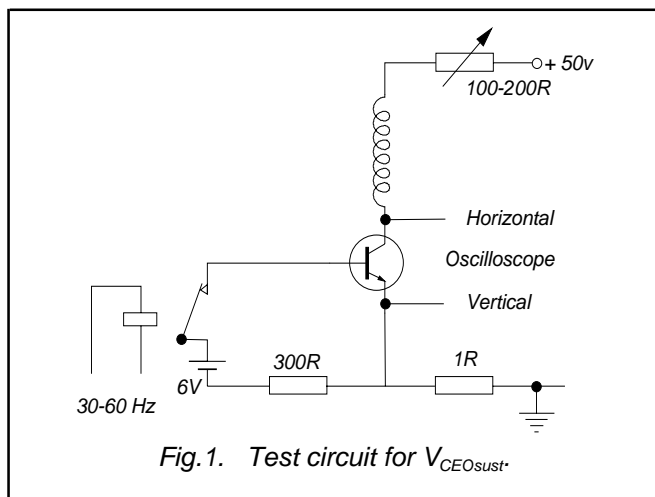


Fig.1. Test circuit for $V_{CEOsust}$.

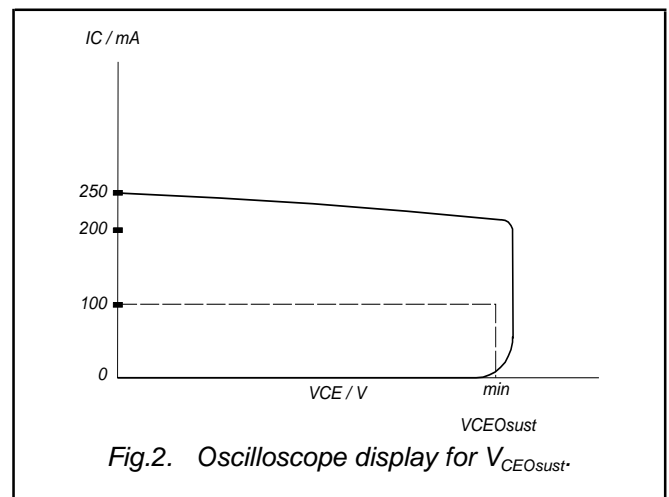
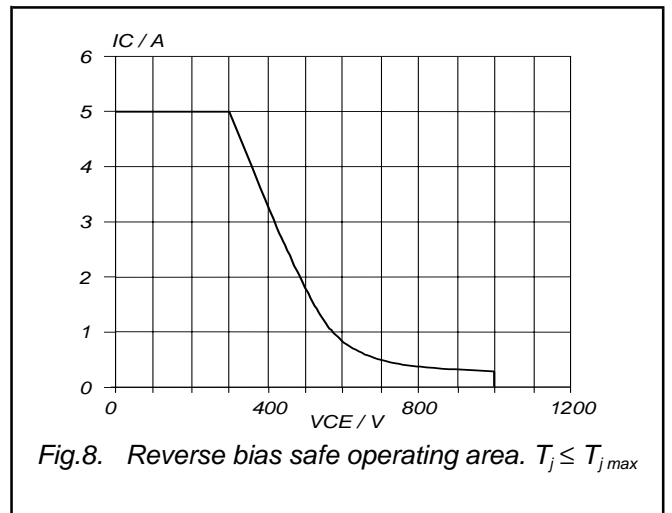
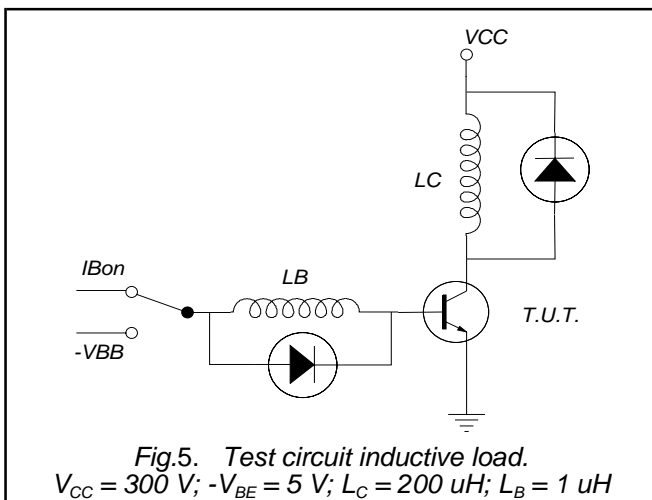
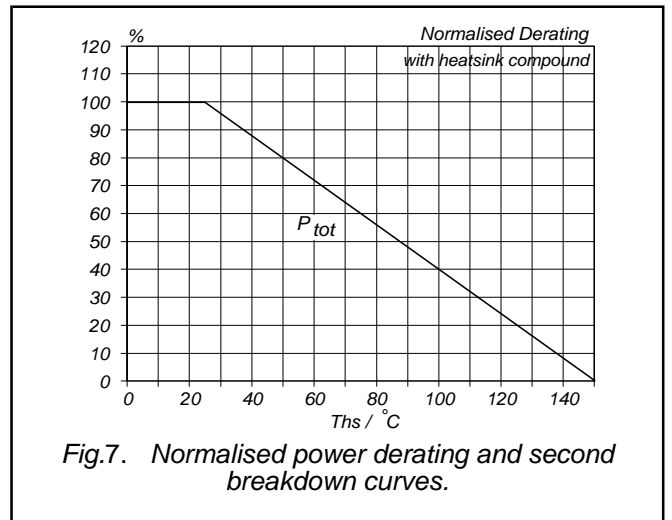
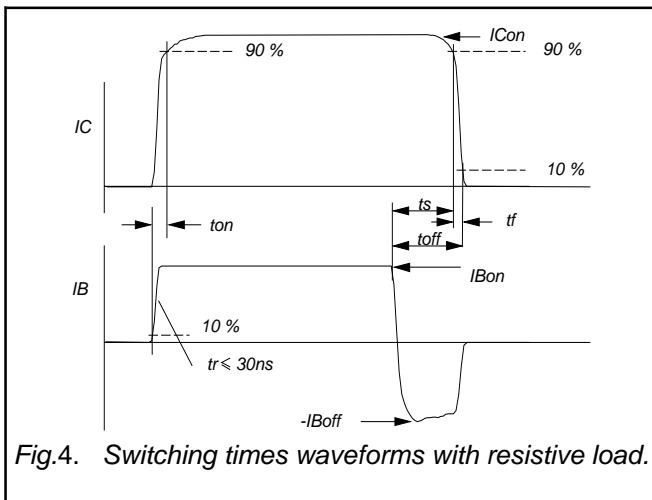
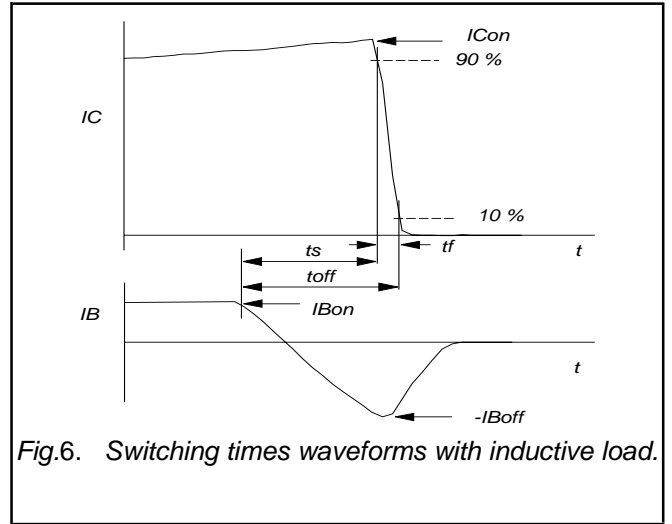
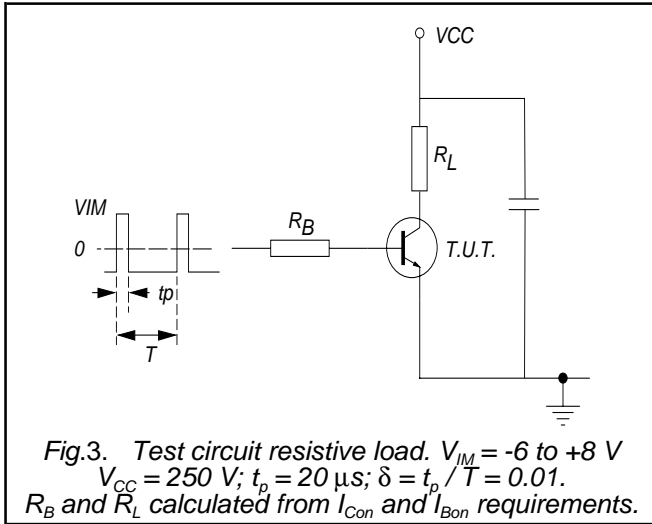


Fig.2. Oscilloscope display for $V_{CEOsust}$.

¹ Measured with half sine-wave voltage (curve tracer).

Silicon Diffused Power Transistor

BUT11AI



Silicon Diffused Power Transistor

BUT11AI

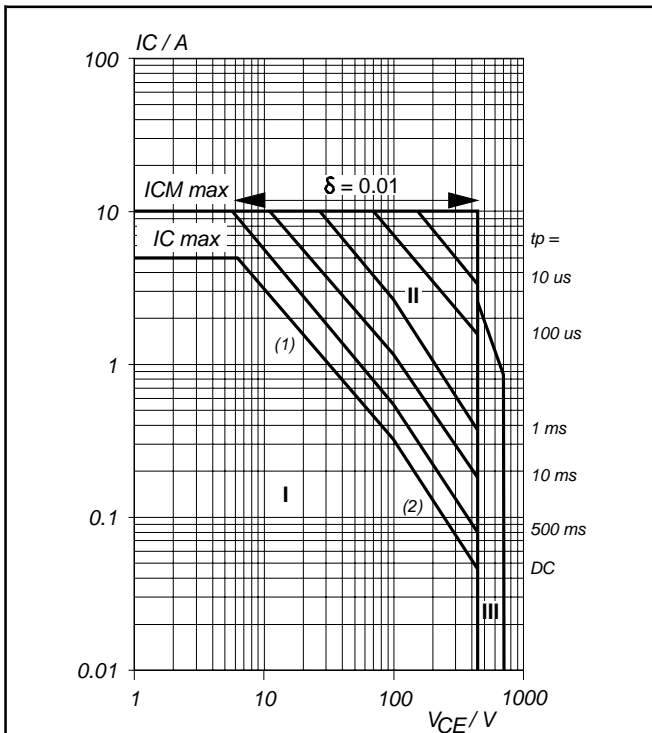
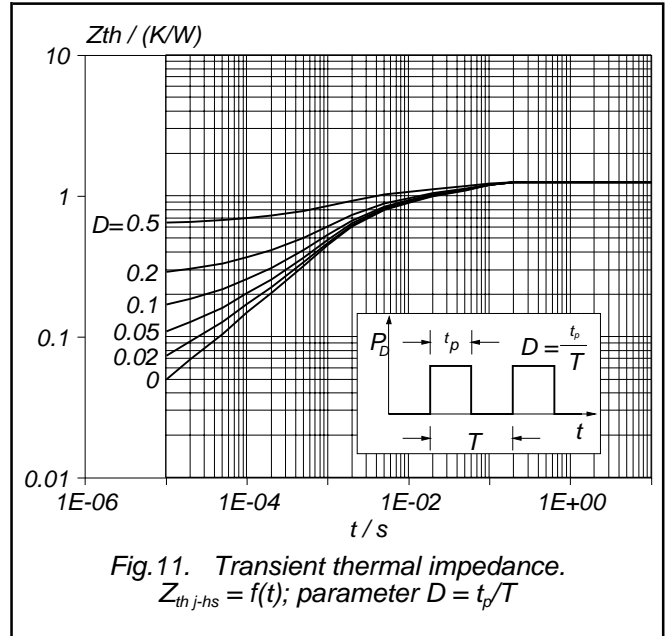
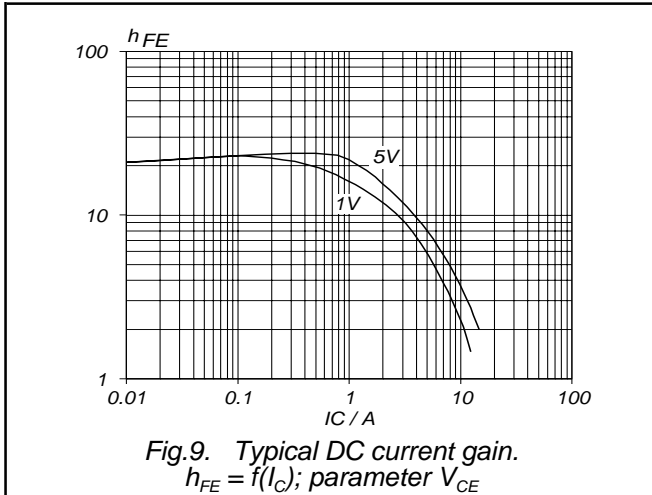


Fig.10. Forward bias safe operating area. $T_{hs} \leq 25^\circ C$

- (1) P_{tot} max and P_{tot} peak max lines.
 - (2) Second breakdown limits.
 - I Region of permissible DC operation.
 - II Extension for repetitive pulse operation.
 - III Extension during turn-on in single transistor converters provided that $R_{BE} \leq 100 \Omega$ and $t_p \leq 0.6 \mu s$.
- NB: Mounted with heatsink compound and 30 ± 5 newton force on the centre of the envelope.

Silicon Diffused Power Transistor

BUT11AI

MECHANICAL DATA

Dimensions in mm

Net Mass: 2 g

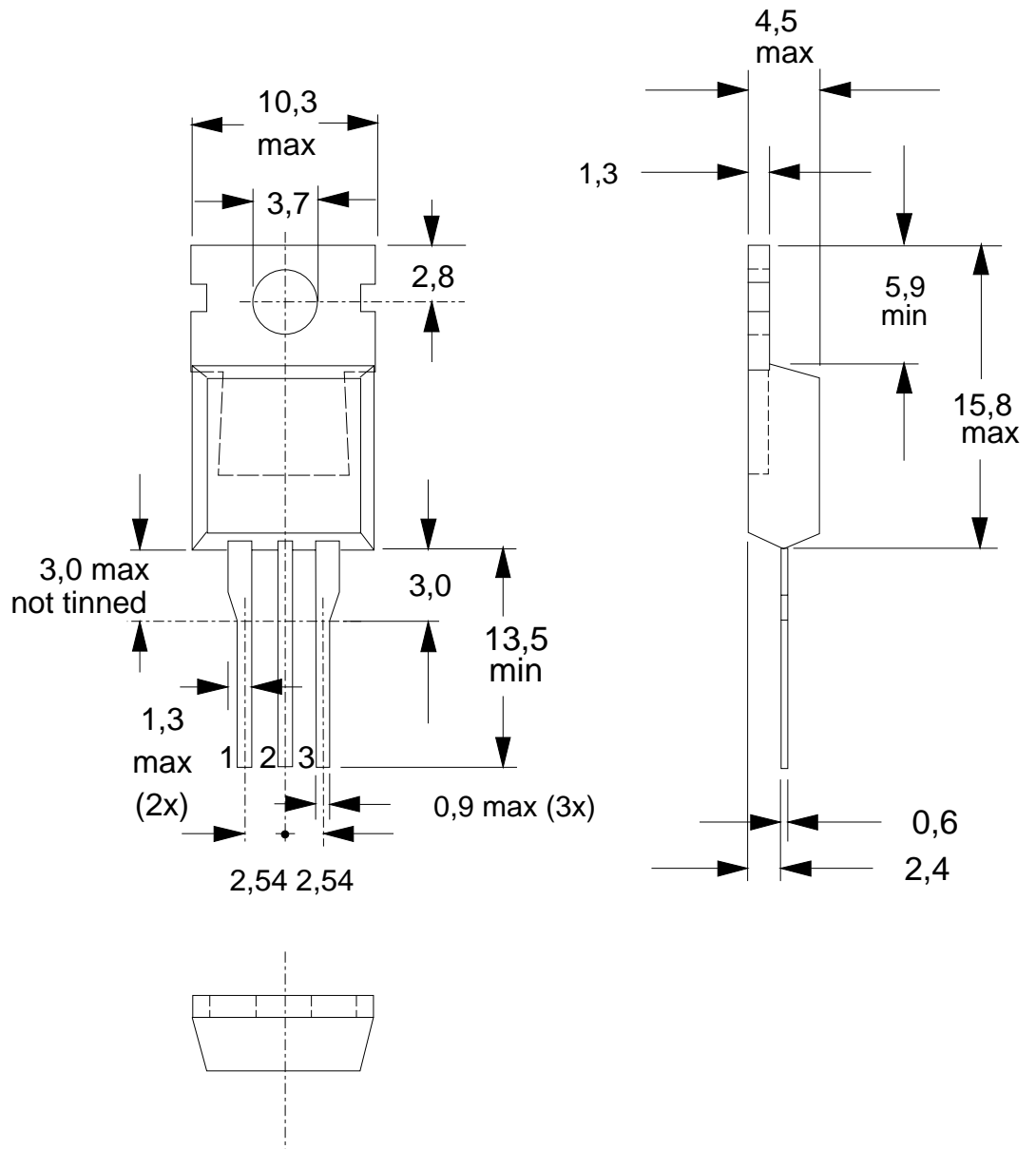


Fig.12. TO220AB; pin 2 connected to mounting base.

Notes

1. Refer to mounting instructions for TO220 envelopes.
2. Epoxy meets UL94 V0 at 1/8".

Silicon Diffused Power Transistor

BUT11AI

DEFINITIONS

| DATA SHEET STATUS | | |
|--|-----------------------------------|---|
| DATA SHEET STATUS² | PRODUCT STATUS³ | DEFINITIONS |
| Objective data | Development | This data sheet contains data from the objective specification for product development. Philips Semiconductors reserves the right to change the specification in any manner without notice |
| Preliminary data | Qualification | This data sheet contains data from the preliminary specification. Supplementary data will be published at a later date. Philips Semiconductors reserves the right to change the specification without notice, in order to improve the design and supply the best possible product |
| Product data | Production | This data sheet contains data from the product specification. Philips Semiconductors reserves the right to make changes at any time in order to improve the design, manufacturing and supply. Changes will be communicated according to the Customer Product/Process Change Notification (CPCN) procedure SNW-SQ-650A |
| Limiting values | | |
| Limiting values are given in accordance with the Absolute Maximum Rating System (IEC 134). Stress above one or more of the limiting values may cause permanent damage to the device. These are stress ratings only and operation of the device at these or at any other conditions above those given in the Characteristics sections of this specification is not implied. Exposure to limiting values for extended periods may affect device reliability. | | |
| Application information | | |
| Where application information is given, it is advisory and does not form part of the specification. | | |
| © Philips Electronics N.V. 2002 | | |
| All rights are reserved. Reproduction in whole or in part is prohibited without the prior written consent of the copyright owner. | | |
| The information presented in this document does not form part of any quotation or contract, it is believed to be accurate and reliable and may be changed without notice. No liability will be accepted by the publisher for any consequence of its use. Publication thereof does not convey nor imply any license under patent or other industrial or intellectual property rights. | | |

LIFE SUPPORT APPLICATIONS

These products are not designed for use in life support appliances, devices or systems where malfunction of these products can be reasonably expected to result in personal injury. Philips customers using or selling these products for use in such applications do so at their own risk and agree to fully indemnify Philips for any damages resulting from such improper use or sale.

² Please consult the most recently issued datasheet before initiating or completing a design.

³ The product status of the device(s) described in this datasheet may have changed since this datasheet was published. The latest information is available on the Internet at URL <http://www.semiconductors.philips.com>.