

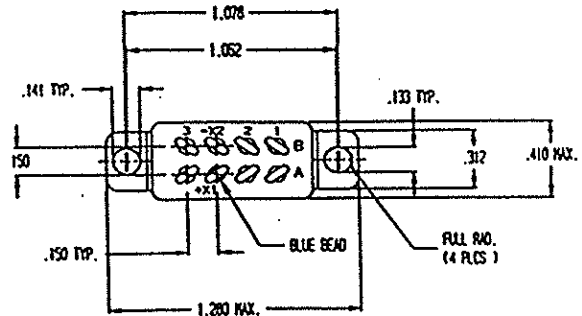
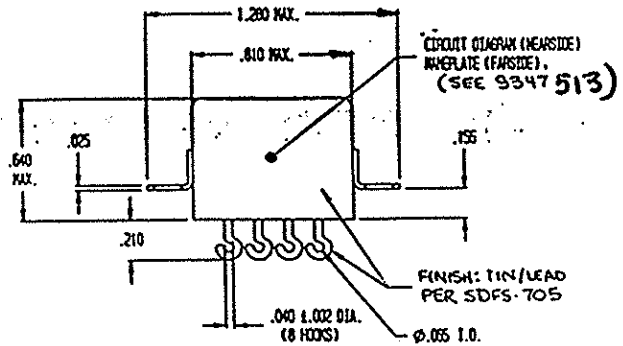
# MSD INC.

# ENGINEERING DATA SHEET

RELAY TYPE: FCB-205-CY4	COMPUTER PART No.: 9347513	TEST PROCEDURE MSDP-791
CUSTOMER/SPECIFICATION: CATALOG ITEM	REV NONE	

### TEST REQUIREMENTS

COIL RES.:  $\pm 10\%$  500 OHMS OPERATE TIME: 5 mS MAX RELEASE TIME: 5 mS MAX  
 CONTACT MAKE BOUNCE: 1 mS MAX N.O. BREAK BOUNCE: 0.1 mS MAX  
 CONTACT STABILIZATION TIME: N/A RATED COIL VOLTAGE: 28 Vdc  
 CONTACT RES.: MFG TEST: .040 OHMS @ 10mA - 6Vdc FINAL TEST: .050 OHMS @ 10mA - 6Vdc  
 CONTACT VOLTAGE DROP: FINAL TEST: .100 V MAX @ 5A - 6Vdc  
 HI-POT: 1000 Vrms ALL POINTS  
 INSULATION RESISTANCE: 100 MEGOHMS MIN. @ 500 Vdc  
 VIBRATION: N/A  
 SEAL TEST:  $1 \times 10^{-8}$  MAX LEAK RATE COIL TRANSIENT SUPPRESSION: 42 Vdc MAX  
 OTHER: \_\_\_\_\_



Prepared By: Date		Approved By: Date	
LFS WYNNE 3-20-96		<i>J. Lockyer</i> 3-21-96	
Rev	ECN No.	Date	
B	97-248	12-29-97	

### SPECIAL INSTRUCTIONS