

SMT Power Inductors

Special Features

- High current capacity
- Ferrite bobbin core
- Low core loss for high frequency power applications
- Compact size
- Large terminal surface for excellent PCB bonding
- Operating temperature -30 to +100 °C
- Tape & reel packaged 2000/reel

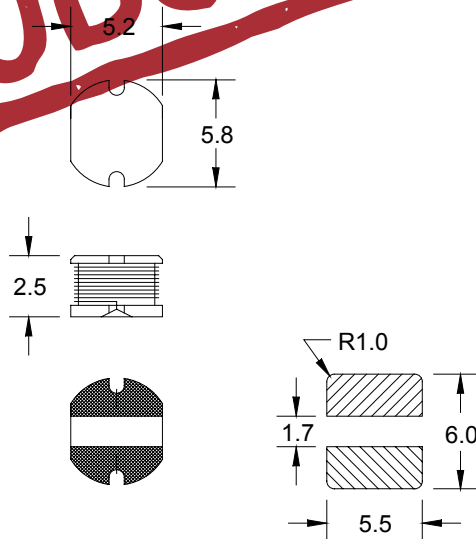
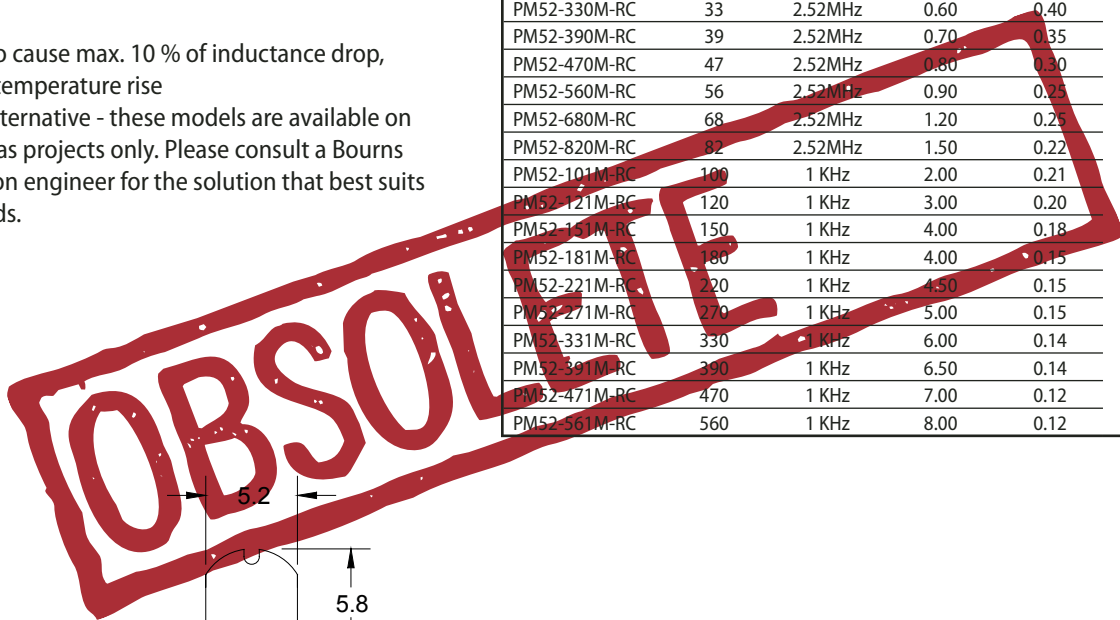
Typical Applications

- Notebook computers
- Battery chargers
- DC/DC converters
- Network cards
- Switching boards
- Industrial electronics
- Entertainment electronics devices

Notes

- * Current to cause max. 10 % of inductance drop, or 40 °C temperature rise
- ** Closest alternative - these models are available on request as projects only. Please consult a Bourns application engineer for the solution that best suits your needs.

PM52 Series					
Part Number	L (μH) ±20 %	Test Freq.	DCR (Ω) Max.	I, DC* (A)	Bourns Equivalent
PM52-1R0M-RC	1.0	7.96MHz	0.030	1.50	
PM52-1R4M-RC	1.4	7.96MHz	0.040	1.50	
PM52-1R8M-RC	1.8	7.96MHz	0.050	1.50	
PM52-2R2M-RC	2.2	7.96MHz	0.060	1.50	
PM52-2R7M-RC	2.7	7.96MHz	0.070	1.50	
PM52-3R3M-RC	3.3	7.96MHz	0.080	1.50	
PM52-3R9M-RC	3.9	7.96MHz	0.090	1.00	
PM52-4R7M-RC	4.7	7.96MHz	0.10	1.00	
PM52-5R6M-RC	5.6	7.96MHz	0.11	1.00	
PM52-6R8M-RC	6.8	7.96MHz	0.14	0.70	
PM52-8R2M-RC	8.2	7.96MHz	0.15	0.65	
PM52-100M-RC	10	2.52MHz	0.30	0.60	
PM52-120M-RC	12	2.52MHz	0.35	0.60	
PM52-150M-RC	15	2.52MHz	0.40	0.55	
PM52-180M-RC	18	2.52MHz	0.45	0.50	
PM52-220M-RC	22	2.52MHz	0.50	0.50	
PM52-270M-RC	27	2.52MHz	0.55	0.45	SDR0603**
PM52-330M-RC	33	2.52MHz	0.60	0.40	
PM52-390M-RC	39	2.52MHz	0.70	0.35	
PM52-470M-RC	47	2.52MHz	0.80	0.30	
PM52-560M-RC	56	2.52MHz	0.90	0.25	
PM52-680M-RC	68	2.52MHz	1.20	0.25	
PM52-820M-RC	82	2.52MHz	1.50	0.22	
PM52-101M-RC	100	1 KHz	2.00	0.21	
PM52-121M-RC	120	1 KHz	3.00	0.20	
PM52-151M-RC	150	1 KHz	4.00	0.18	
PM52-181M-RC	180	1 KHz	4.00	0.15	
PM52-221M-RC	220	1 KHz	4.50	0.15	
PM52-271M-RC	270	1 KHz	5.00	0.15	
PM52-331M-RC	330	1 KHz	6.00	0.14	
PM52-391M-RC	390	1 KHz	6.50	0.14	
PM52-471M-RC	470	1 KHz	7.00	0.12	
PM52-561M-RC	560	1 KHz	8.00	0.12	



Dimensions: mm
Tolerance: -/+0.35

Pad Layout

BOURNS®

Tel. (877) 426-8767 • Fax (951) 781-5006

www.bourns.com