

Features

- Formerly *J.W. Miller* model
- Magnetic shielding
- High Q characteristic
- High current rating
- RoHS compliant*

Applications

- Prevention of electromagnetic interference to signals on the secondary side of electronic equipment

PM1008S Series - Shielded Wirewound Chip Inductors

Electrical Specifications

Bourns Part No.	Inductance μH (@ 100 KHz)	Tolerance %	Q min. (@ 1 MHz)	SRF MHz min.	DCR Ω max.	Idc mA max.
PM1008S-1R0M-RC	1.0	± 20	35	344	0.05	3000
PM1008S-1R5M-RC	1.5	± 20	35	260	0.06	2800
PM1008S-1R8M-RC	1.8	± 20	35	225	0.09	2000
PM1008S-2R7M-RC	2.7	± 20	38	185	0.14	1300
PM1008S-3R9M-RC	3.9	± 20	38	175	0.26	1200
PM1008S-4R7M-RC	4.7	± 20	38	160	0.35	1000
PM1008S-5R6M-RC	5.6	± 20	38	150	0.40	1000
PM1008S-6R8M-RC	6.8	± 20	38	120	0.60	850
PM1008S-100M-RC	10	± 20	38	105	1.0	780
PM1008S-150M-RC	15	± 20	38	35	1.2	700
PM1008S-220M-RC	22	± 20	40	26	1.4	650
PM1008S-330M-RC	33	± 20	45	20	1.6	500
PM1008S-390M-RC	39	± 20	45	16	1.9	450
PM1008S-470M-RC	47	± 20	45	14	2.5	400
PM1008S-680M-RC	68	± 20	45	12	3.8	300
PM1008S-820M-RC	82	± 20	45	9	4.2	280
PM1008S-101M-RC	100	± 20	45	7	5.8	260
PM1008S-121M-RC	120	± 20	50	6	6.2	250
PM1008S-151M-RC	150	± 20	50	5.6	7.5	220
PM1008S-221M-RC	220	± 20	55	4.5	10.0	210
PM1008S-331M-RC	330	± 20	55	3.8	11.5	200
PM1008S-471M-RC	470	± 20	55	3.0	16.5	160
PM1008S-561M-RC	560	± 20	55	2.8	18.0	130
PM1008S-681M-RC	680	± 20	55	2.5	24.0	120
PM1008S-821M-RC	820	± 20	45	1.5	26.0	100
PM1008S-102M-RC	1000	± 20	45	1.3	30.0	100

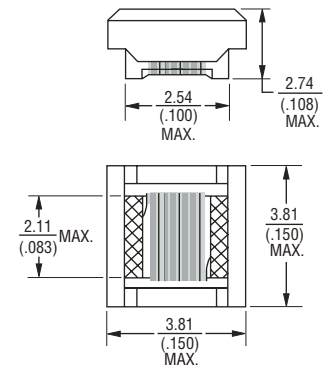
General Specifications

Current Rating
.....10 % drop in inductance at Idc
Temperature Rise
.....15 °C max. at rated current
Operating Temperature-40 °C to +85 °C
Storage Temperature....-40 °C to +85 °C
Reflow Soldering
.....230 °C, 50 seconds max.
Resistance to Soldering Heat
.....260 °C, 5 seconds

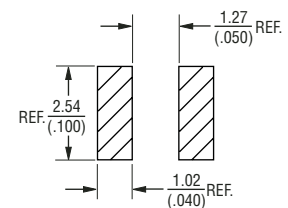
Materials

Core Material.....Ferrite
Terminal Electrode.....Sn/Ni
Packaging.....750 pcs. per reel

Product Dimensions



Recommended Layout



DIMENSIONS: $\frac{\text{MM}}{\text{(INCHES)}}$

*RoHS Directive 2002/95/EC Jan 27 2003 including Annex
Specifications are subject to change without notice.
Customers should verify actual device performance in their specific applications.

PM1008S Series - Shielded Wirewound Chip Inductors

BOURNS®

Packaging Specifications

