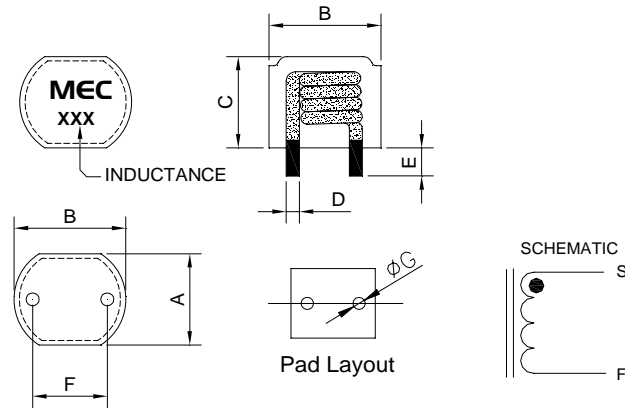


## Electrical characteristics

|                 | L0 Inductance<br>$\mu\text{H} \pm 20\% @ 0\text{A}$ | DCR<br>( $\text{m}\Omega$ )<br>(Typical) (Max) |     | Saturation Current<br>(Typ) | Temperature Rise Current<br>(Typ) |
|-----------------|---|--|-----|-----------------------------|-----------------------------------|
| MDI121007N-R22M | 0.2   | 0.5  | 0.6 | 56.0                        | 36.0                              |
| MDI121008N-R33M | 0.3   | 0.7  | 0.8 | 48.0                        | 31.0                              |
| MDI121008N-R39M | 0.4   | 0.7  | 0.8 | 43.0                        | 31.0                              |
| MDI121010N-R47M | 0.5   | 0.9  | 1.0 | 40.0                        | 28.0                              |
| MDI121010N-R56M | 0.6   | 0.9  | 1.0 | 38.0                        | 28.0                              |
| MDI121010N-R68M | 0.7   | 0.9  | 1.0 | 36.0                        | 28.0                              |
| MDI121010N-R80M | 0.8   | 1.3  | 1.5 | 34.0                        | 24.0                              |
| MDI121010N-1R0M | 1.0   | 1.8  | 2.0 | 32.0                        | 20.0                              |
| MDI121010N-1R5M | 1.5   | 3.0  | 3.5 | 30.0                        | 16.0                              |
| MDI121010N-2R2M | 2.2   | 4.3  | 5.0 | 24.0                        | 13.6                              |
| MDI121010N-2R8M | 2.8   | 5.6  | 6.4 | 20.0                        | 12.3                              |
| MDI121010N-3R3M | 3.3   | 6.8  | 7.7 | 16.0                        | 11.2                              |
| MDI121010N-4R7M | 4.7   | 8.8  | 10  | 15                          | 10.0                              |



**MDI1210系列尺寸圖**

|                 | A(mm)      | B(mm)      | C(mm)    | D(mm)    | E(mm)     | F(mm)     | $\phi G$ (mm) |
|-----------------|------------|------------|----------|----------|-----------|-----------|---------------|
| MDI121007N-R22M | 10.2 ± 0.5 | 12.3 ± 0.5 | 7.5(Max) | 1.4±0.25 | 3.4 ± 0.5 | 8.0 ± 0.5 | 1.9           |
| MDI121008N-R33M | 10.2 ± 0.5 | 12.3 ± 0.5 | 8.6(Max) | 1.4±0.25 | 3.4 ± 0.5 | 8.0 ± 0.5 | 1.9           |
| MDI121008N-R39M | 10.2 ± 0.5 | 12.3 ± 0.5 | 8.6(Max) | 1.4±0.25 | 3.4 ± 0.5 | 8.0 ± 0.5 | 1.9           |
| MDI121010N-R47M | 10.2 ± 0.5 | 12.3 ± 0.5 | 10(Max)  | 1.5±0.25 | 3.4 ± 0.5 | 8.0 ± 0.5 | 2.0           |
| MDI121010N-R56M | 10.2 ± 0.5 | 12.3 ± 0.5 | 10(Max)  | 1.5±0.25 | 3.4 ± 0.5 | 8.0 ± 0.5 | 2.0           |
| MDI121010N-R68M | 10.2 ± 0.5 | 12.3 ± 0.5 | 10(Max)  | 1.5±0.25 | 3.4 ± 0.5 | 8.0 ± 0.5 | 2.0           |
| MDI121010N-R80M | 10.2 ± 0.5 | 12.3 ± 0.5 | 10(Max)  | 1.4±0.25 | 3.4 ± 0.5 | 8.0 ± 0.5 | 1.9           |
| MDI121010N-1R0M | 10.2 ± 0.5 | 12.3 ± 0.5 | 10(Max)  | 1.2±0.25 | 3.4 ± 0.5 | 8.0 ± 0.5 | 1.7           |
| MDI121010N-1R5M | 10.2 ± 0.5 | 12.3 ± 0.5 | 10(Max)  | 1.0±0.25 | 3.4 ± 0.5 | 8.0 ± 0.5 | 1.5           |
| MDI121010N-2R2M | 10.2 ± 0.5 | 12.3 ± 0.5 | 10(Max)  | 1.0±0.25 | 3.4 ± 0.5 | 8.0 ± 0.5 | 1.5           |
| MDI121010N-2R8M | 10.2 ± 0.5 | 12.3 ± 0.5 | 10(Max)  | 0.9±0.25 | 3.4 ± 0.5 | 8.0 ± 0.5 | 1.4           |
| MDI121010N-3R3M | 10.2 ± 0.5 | 12.3 ± 0.5 | 10(Max)  | 0.8±0.25 | 3.4 ± 0.5 | 8.0 ± 0.5 | 1.3           |
| MDI121010N-4R7M | 10.2 ± 0.5 | 12.3 ± 0.5 | 10(Max)  | 0.8±0.25 | 3.4 ± 0.5 | 8.0 ± 0.5 | 1.3           |