

# Instrument Transformers

## Split type CT/CC2

### Split type current transformers, CC2

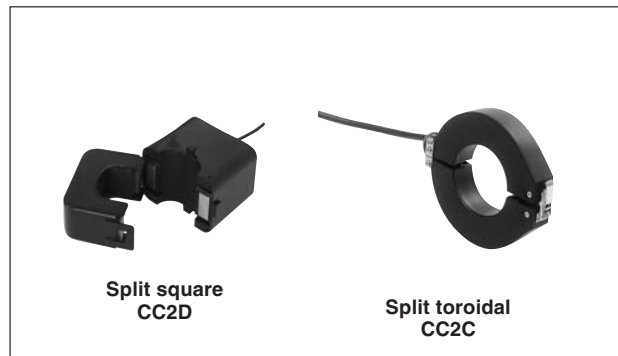
Primary current: 5 to 1200A

Secondary current: 7.34mA to 1A

#### ■ Description

The CC2D and CC2C are split-type current transformers. The CT can be mounted to existing panels, such as control centers or load centers, to measure or monitor wattage. These CTs can be mounted without removing existing cables for easier installation.

Five rated burdens are available: 0.26mVA, 44.4mVA, 0.18VA, 0.5VA



#### ■ Types and ratings

Description	Burden	Rated primary current (A)	Secondary current	Dia. of hole (mm)	Overcurrent resistance (A)	Connection	Mass (g)	Type
Split square	0.2693mVA Load resistance 5Ω	5	7.34mA	10	40 In/1.0s	Heat-resistant IV cable AWG22 1000mm supplied	45	CC2D81-0057
	26.93mVA Load resistance 5Ω	50	73.4mA	10	10 In/1.0s		45	CC2D81-0506
	44.4mVA Load resistance 10Ω	200	66.67mA	24	40 In/1.0s	Heat-resistant IV cable AWG18 1000mm supplied	200	CC2D65-2008
	0.18VA Load resistance 10Ω	400	133.33mA	36			300	CC2D54-4009
Split toroidal	0.5VA Load resistance 5Ω	100	1A	36			300	CC2D74-1001 CC2D74-2001 CC2D74-4001
		200 400		60			500	CC2C76-8001 CC2C76-12X1
		800 1200	1A					

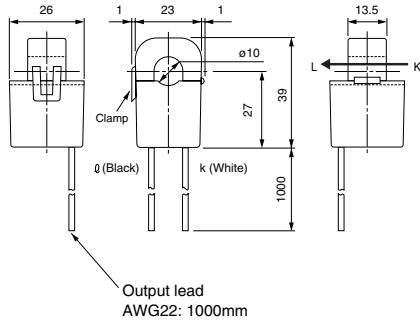
#### ■ Performance

Application	Type	Ratio error	Phase difference	Insulation resistance	Dielectric strength	Output protection
For F-MPC	CC2D81-0057	±1% In	150' ±90' /In	100MΩ (500V DC megger)	2000V AC/1min, between sensor core and output	Not provided
	CC2D81-0506	±1.5%/0.2 In	180' ±120' /0.2 In			
	CC2D65-2008	±1% In	±60' /In	100MΩ (500V DC megger)	2000V AC/1min, between sensor core and output	Provided, built-in clamping diode ±3Vp
	CC2D54-4009	±1.5%/0.2 In	±90' /0.2 In			
General purpose	CC2D74-1001	±1% In	±80' /In	100MΩ (500V DC megger)	2000V AC/1min, between sensor core and output	Provided, built-in clamping diode ±1.4Vp
		±1.5%/0.2 In	±100' /0.2 In			
	CC2D74-2001	±1% In				
	CC2D74-4001	±1.5%/0.2 In				
	CC2C76-8001 CC2C76-12X1	±1% In ±1.5%/0.2 In	±80' /In ±100' /0.2 In	100MΩ (500V DC megger)	2000V AC/1min, between sensor core and output	Provided, built-in clamping diode ±1.4Vp

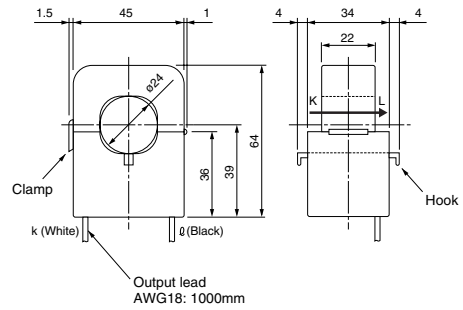
■ Dimensions, mm

• Split-toroidal

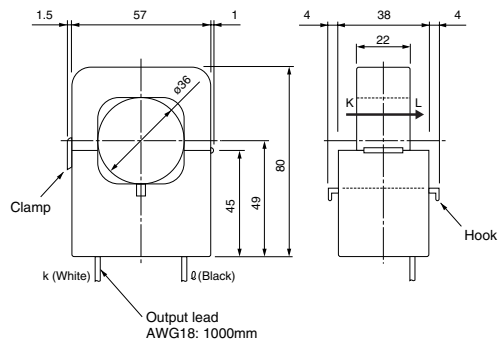
CC2D81



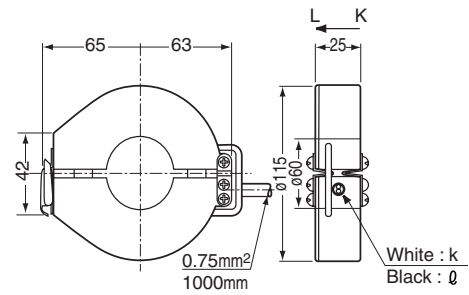
CC2D65



CC2D54, 74



CC2C76



■ Ordering information

Specify the following:

1. Type number