



DATA SHEET

SD620CS~SD6100CS

SURFACE MOUNT SCHOTTKY BARRIER RECTIFIERS

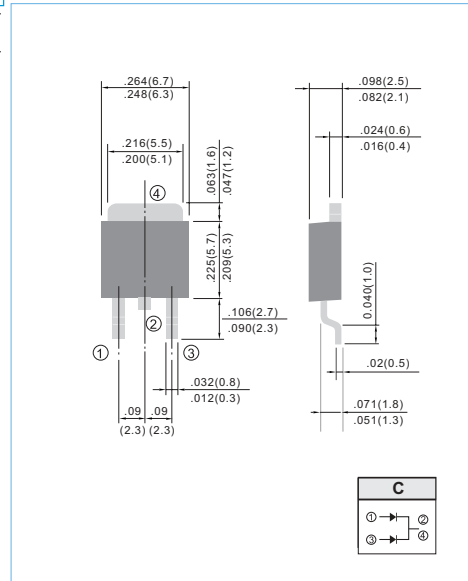
VOLTAGE 20 to 100 Volts **CURRENT** 6.0 Amperes **TO-252 / DPAK** Unit : inch (mm)

FEATURES

- Plastic package has Underwriters Laboratory Flammability Classification 94V-O
- For surface mounted applications
- Low profile package
- Built-in strain relief
- Low power loss, High efficiency
- High surge capacity
- For use in low voltage high frequency inverters, free wheeling, and polarity protection applications
- High temperature soldering guaranteed: 260 °C/10 seconds at terminals
- Both normal and Pb free product are available :
Normal : 80~95% Sn, 5~20% Pb
Pb free: 98.5% Sn above

MECHANICAL DATA

Case: D PAK/TO-252 molded plastic
Terminals: Solder plated, solderable per MIL-STD-750, Method 2026
Polarity: As marking
Standard packaging: 16mm tape (EIA-481)
Weight: 0.015 ounces, 0.4grams.



MAXIMUM RATINGS AND ELECTRICAL CHARACTERISTICS

Ratings at 25°C ambient temperature unless otherwise specified. Single phase, half wave, 60 Hz, resistive or inductive load.
For capacitive load, derate current by 20%

PARAMETER	SYMBOL	SD620CS	SD630CS	SD640CS	SD650CS	SD660CS	SD680CS	SD6100CS	UNITS
Maximum Recurrent Peak Reverse Voltage	V _{RRM}	20	30	40	50	60	80	100	V
Maximum RMS Voltage	V _{RMS}	14	21	28	35	42	56	70	V
Maximum DC Blocking Voltage	V _{DC}	20	30	40	50	60	80	100	V
Maximum Average Forward Current .375"(9.5mm) lead length at T _c =75°C	I _{AV}	6.0							A
Peak Forward Surge Current :8.3ms single half sine-wave superimposed on rated load(JEDEC method)	I _{FSM}	75							A
Maximum Forward Voltage at 3.0A per leg	V _F	0.55			0.70		0.85		V
Maximum DC Reverse Current T _J =25°C at Rated DC Blocking Voltage T _J =100°C	I _R					0.2 20			mA
Typical Thermal Resistance	R _{θJC}					5			°C / W
Operating Junction Temperature Rang	T _J					-50 to +125			°C
Storage Temperature Rang	T _J , T _{STG}					-50 to +150			°C

Note: Both Bonding and Chip structure are available.



RATING AND CHARACTERISTIC CURVES

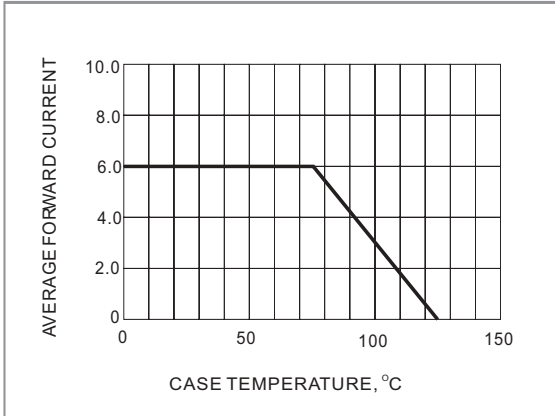


Fig. 1- FORWARD CURRENT DERATING CURVE

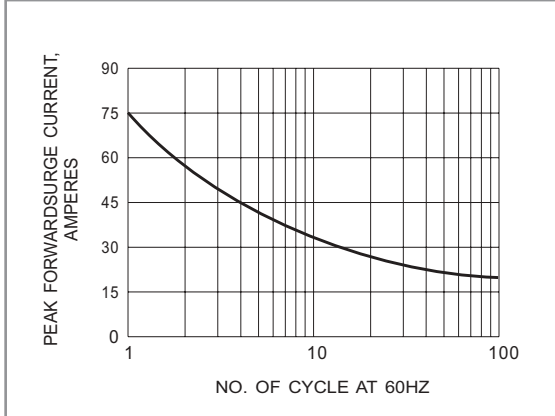


Fig. 2- MAXIMUM NON-REPETITIVE PEAK FORWARD SURGE CURRENT

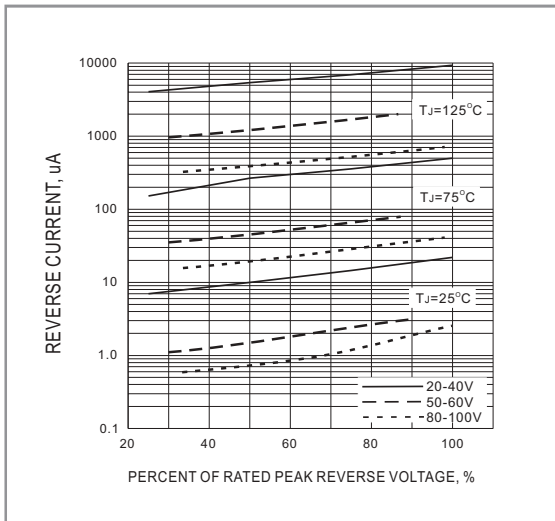


Fig. 3- TYPICAL REVERSE CHARACTERISTIC

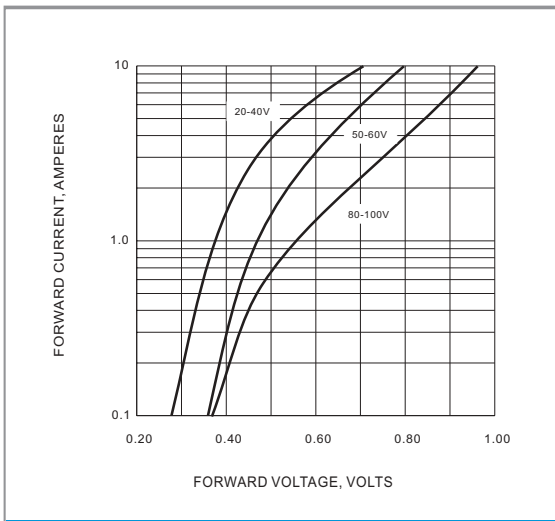


Fig. 4- TYPICAL INSTANTANEOUS FORWARD CHARACTERISTIC