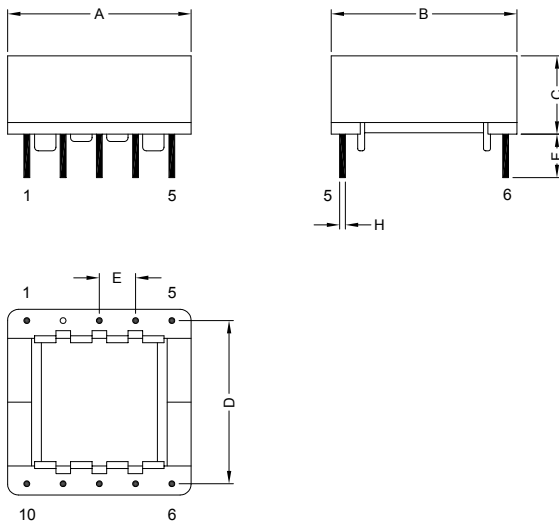


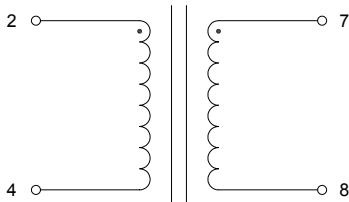
### 1. CONFIGURATION & DIMENSIONS :



Unit:m/m

A	B	C	D	E	F	H
26.00 Max.	26.50 Max.	13.80 Max.	22.50±0.50	5.00±0.30	3.50±0.50	Ø0.70 Ref.

### 2. SCHEMATIC :



### 3. SCHEMATIC :

- a) Bobbin : Phenolic
- b) Core : EFD20
- c) Wire : Polyurethane DD (1UEW)
- d) Tape : Polyester Film
- e) Varnish : Synthite AC-43



**RoHS Compliant**

NOTE : Specifications subject to change without notice. Please check our website for latest information.

23.06.2008



**SUPERWORLD ELECTRONICS (S) PTE LTD**

PG. 1