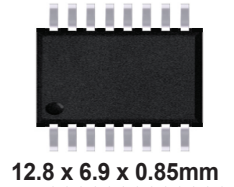


10/100 BASE-T SINGLE PORT TRANSFORMER

APT-106

RoHS
Compliant

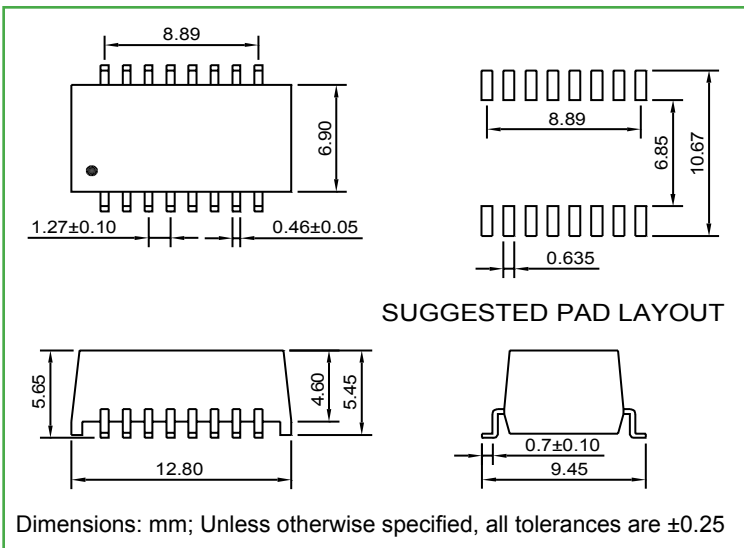


STANDARD SPECIFICATIONS:

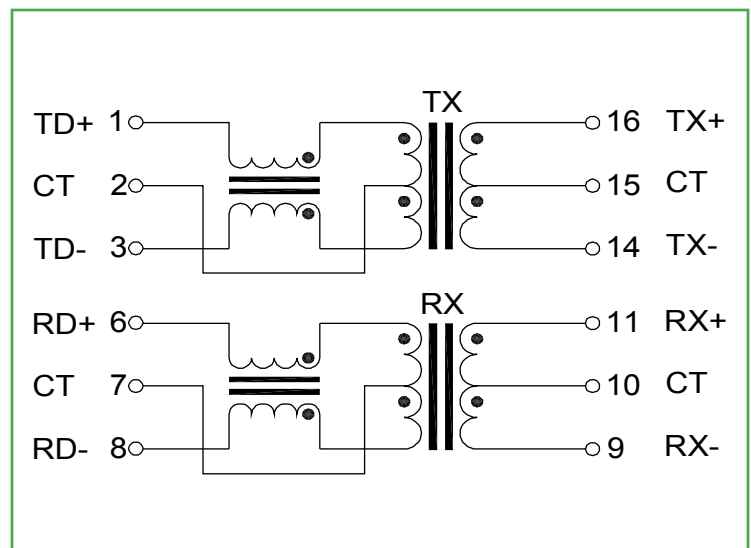
PARAMETERS

Abrakon P/N:	APT-106
Operating Temperature:	-40°C ~ +85°C
Turn Ratio ($\pm 2\%$):	1CT : 1CT
Insertion Loss :	-1.1dB max. (0.1 ~ 100MHz)
Return Loss :	-20dB typ. (30MHz) -14dB typ. (60MHz) -11.5dB typ. (80MHz)
Cross Talk :	-45dB min. (30MHz) -40dB min. (60MHz) -27dB min. (100MHz)
DCMR :	-42dB min. (30MHz) -37dB min. (50MHz) -33dB min. (100MHz)
Hi-pot Test:	1500Vrms/0.5mA/60 seconds or 1650Vrms/0.5mA/2 seconds
DCR:	1.5 Ω max.
OCL:	350 μ H min. (100kHz/0.1V@8mA)
LL:	0.4 μ H max. (100kHz/0.1V)
Cw/w:	25pF max. (100kHz/0.1V)

OUTLINE DRAWING:



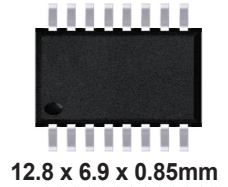
SCHEMATIC:



10/100 BASE-T SINGLE PORT TRANSFORMER

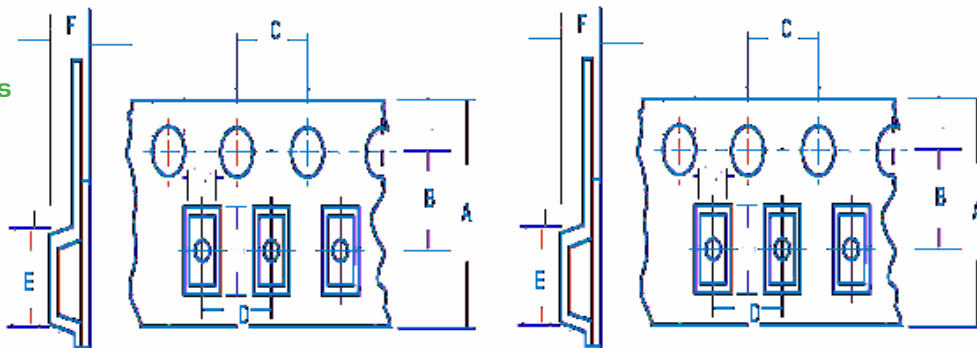
APT-106

RoHS
Compliant

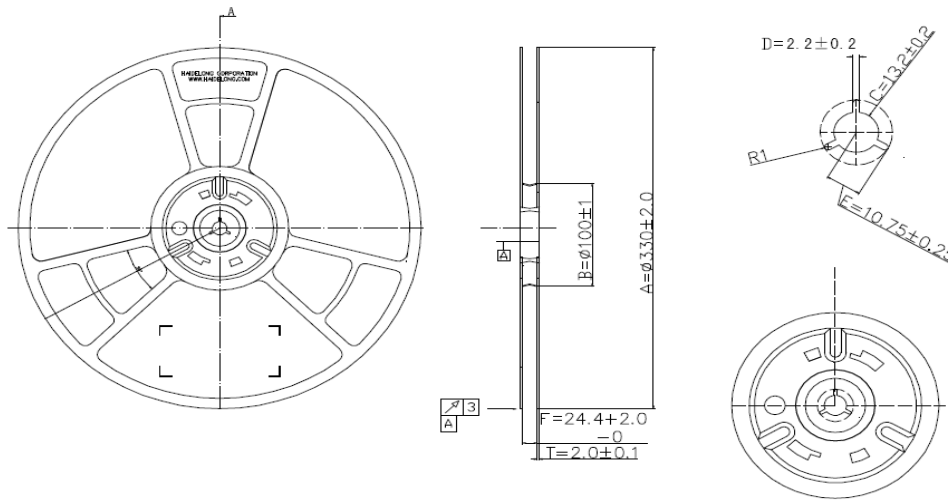


TAPE & REEL:

Tape & Reel:
700pcs/reel
Weight: 0.7 g/pcs

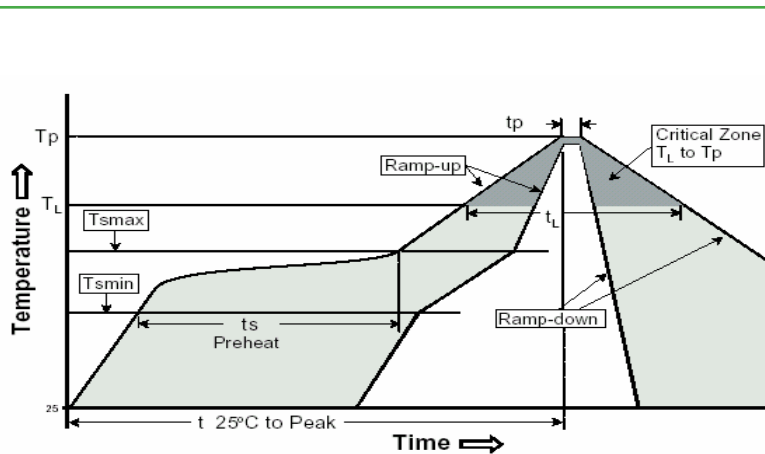


A	B	C	D	E	F
24.0±0.3	11.5±0.1	4.00±0.10	16.0±0.1	9.9±0.1	6.05±0.10



Dimensions: mm

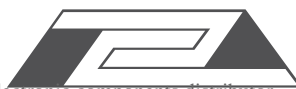
REFLOW PROFILE: IR Reflow peak temperature: 245



Profile Feature	Assembly
Average Ramp-Up Rate (T _{s max} to T _p)	3°C /second max.
Preheat	
-Temperature Min (T _{s min})	150°C
-Temperature Max (T _{s max})	200°C
-Time (t _{s min} to t _{s max})	60-180 seconds
Time maintained above:	
-Temperature (T _L)	217°C
-Time (t _L)	60-150 seconds
Peak/Classification Temperature (T _p)	245±5°C
Time within 5°C of actual Peak Temperature (t _p)	20-40 seconds
Ramp-Down Rate	6°C/seconds max
Time 25°C to Peak Temperature	6 minutes max.

NOTE: Abracon manufactured products are intended for general commercial and industrial use. For applications requiring high reliability and/or presenting extreme operating environment, written consent & authorization from Abracon is required.

ABRACON IS
ISO 9001 / QS 9000
CERTIFIED



ABRACON
CORPORATION

Visit www.abracon.com for Terms & Conditions of Sale **Revised: 11.19.09**
30332 Esperanza, Rancho Santa Margarita, California 92688
tel 949-546-8000 | fax 949-546-8001 | www.abracon.com