

**INPUT CHARACTERISTICS:****PP2-5200F**

- VOLTAGE: 95 - 132 VAC / 180 - 264 VAC SWITCHABLE
- FREQUENCY: 47 - 63 Hz
- INPUT CURRENT: 5.0 / 3.0A (115 / 230 VAC)
- INRUSH CURRENT: 40A / 80A MAX. FOR 115 / 230 VAC

**OUTPUT CHARACTERISTICS:**

| OUTPUT VOLTAGE | OUTPUT CURRENT |          | REGULATION |      | OUTPUT                    |
|----------------|----------------|----------|------------|------|---------------------------|
|                | MIN. [A]       | MAX. [A] | LOAD       | LINE | RIPPLE & NOISE MAX. [P-P] |
| 5V             | 1.5            | 3        | ± 5%       | ± 1% | 80mV                      |
| 12V            | 2.5            | 10       | ± 5%       | ± 1% | 120mV                     |
| -5V            | 0              | 0.3      | ± 5%       | ± 1% | 120mV                     |
| -12V           | 0              | 0.3      | ± 10%      | ± 2% | 120mV                     |
| 24V            | 0.5            | 3        | ± 10%      | ± 2% | 200mV                     |

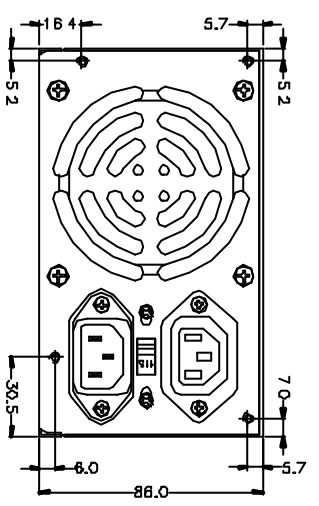
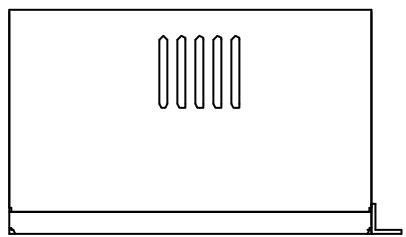
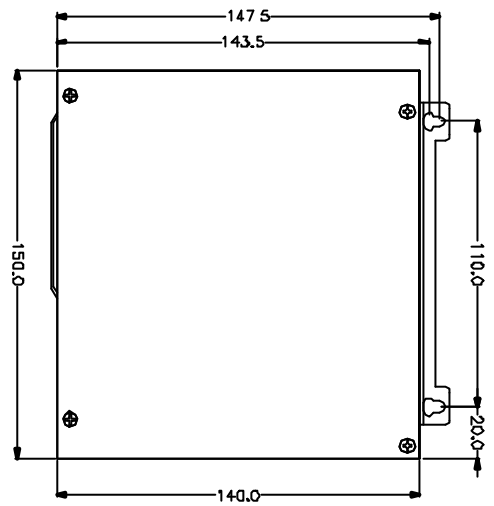
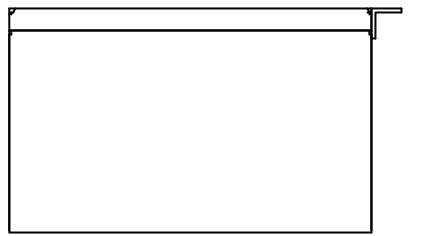
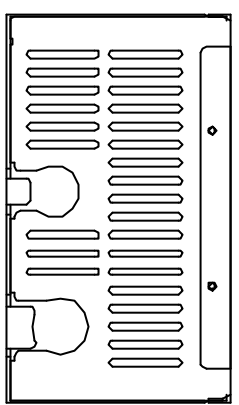
+5V OUTPUT VOLTAGE: MANUFACTURER SET AT 5.20V ~ 5.25V

**SPECIFICATION:**

- TEMPERATURE RANGE: OPERATING 10 --- 50 , STORAGE 0 --- 60
- TRANSIENT RESPONSE: OUTPUT VOLTAGE RETURNS IN LESS THAN 1 ms MAX. FOLLOWING 50% LOAD CHANGE
- HOLD UP TIME: 16 ms MINIMUM AT FULL LOAD & NORMAL INPUT VOLTAGE
- DIELECTRIC WITHSTAND: INPUT / OUTPUT 1500 VAC FOR 1 SECOND  
INPUT TO FRAME GROUND 1500 VAC FOR 1 SECOND
- HUMIDITY: 8 ~ 80% RH
- EFFICIENCY: 60% TYPICAL, AT FULL LOAD
- POWER GOOD SIGNAL: ON DELAY 100 ms TO 500 ms, OFF DELAY 1 ms
- OVER LOAD PROTECTION: 110 ~ 150% MAX.
- OVER VOLTAGE PROTECTION: **+5V OUTPUT: 5.5V ~ 7.0V;**
- SHORT CIRCUIT PROTECTION: ALL OUTPUT SHORT CIRCUIT PROTECTION
- EMI NOISE FILTER: FCC CLASS B, CISPR22 CLASS B
- EMC: 801-2(ESD), 801-3(RADIATED), 801-4(EFT)
- SAFETY: MEET UL 1950, CSA 22.2 MP/ 950, TÜV IEC 950
- DIMENSION: **150(D) x 140 (W) x 86(H) mm (PS/2)**
- MTBF: 30000 HOURS

THE SPECIFICATION IS SUBJECT TO CHANGE WITHOUT PRIOR NOTICE.

| 圖號 | REV. DESCRIPTION | 日期 |
|----|------------------|----|
| 圖號 | REV. DESCRIPTION | 日期 |



容許公差:  
TOLERANCES:  
.XXX ±.025  
XX ±.100  
X ±.250

材料規格:  
MATERIAL:

投影法:  
PROJECTION:  
第三角法

繪圖者:  
DRAWN BY:  
審核者:  
CHECK BY:

日期:  
DATE:  
日期:  
DATE:

新巨企業股份有限公司  
ZIPPY TECHNOLOGY CORP.  
POWER DIVISION

PP2 外觀尺寸圖

圖號: PP20MA01  
圖號: PP20MA01  
單位: MM  
單位: A1  
圖號: PP20MA01  
圖號: PP20MA01  
單位: MM  
單位: A1  
圖號: PP20MA01  
圖號: PP20MA01  
單位: MM  
單位: A1