

PANEL MOUNT LED ASSEMBLIES

Panel Mount Assemblies (3mm)

- Available in a Wide Range of Voltages
- Press Fit Mounting Lowers Labor and Assembly Cost
- 6" 24AWG Wire Leads at No Additional Cost
- Wide Variety of Connectors Available
- Uses 3XX Non-Flanged LEDs



PM3 Series

Mounting Information:

Press-fit mounting in 0.160" (4.1 mm) hole
 +.003"/-.000"
 Panel Thickness: 0.047" (1.2mm) to 0.093" (2.4mm)

Material Specifications:

Housing: UL Rated 94V-0, Black, 6 Nylon per ASTM D4066 PA111
 Oxygen Index: +28%
 Optional Wire Leads: 24AWG U.L.
 1061 (PM3) 300V 80°C
 Cathode-Black, Anode-Red

Application Notes:

Wire leads from 2.5" to 48" are available subject to special quotation. Please consult Bivar at 1-800-SPACERS for additional information.

Both "-CC" and "-CC2" options can be used with the PM3 Series by keystone slotting the mounting hole to allow passage of the connector.

"-CBK" options have the terminals crimped onto the wires-housing shipped separately to be installed after installation of the panel mount LED assembly.

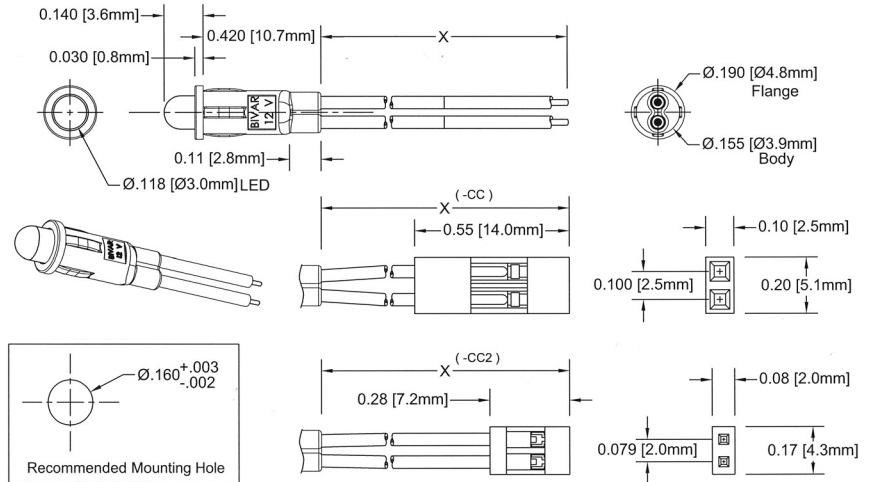
Many connectors are available as well as customer specified connectors. Subject to quotation.

Ordering Information:

PM3	G	D	5V	W6	-CC
Series	Color	Lens	Special	Wires	Options

Color: Please see Chart

Suffix	Color	Peak (nm)	Typ.Vf
G	Green	565	2.0
H	High Efficiency Red	635	2.0
Y	Yellow	585	2.0
SR	Super Red	660	2.0
O	Orange	635	2.0
A	Amber	610	2.0
BC	Red/Green Bi-Color	635/565	2.0
UBWC.6K	Blue	470	3.5
UWC.6K	White	X=.29 Y=.30	3.5



Lens Choices:

- D Color Diffused
- C Water Clear
- T Tinted Non-diffused

Special:

- L 2ma Low Current
- 5V 5 Volt integrated resistor
- 12V 12 Volt integrated resistor

Wires:

Wire Tolerances:

2.5" through 12" = ±.250

13" through 24" = ±.500

Tighter tolerances available at extra charge

"Blank" Terminal Leads

Wx 24AWG Wire Leads

Replace the "X" with the length in inches

Options:

-CC Standard 0.100" (2.54mm) pitch connector

-CC2 Miniature 0.079" (2mm) pitch connector

-CBK (-CC Terminals installed, housing shipped separately)

-CBK2 (-CC 2 Terminals installed, housing shipped separately)