



Wall Industries, Inc.

PS2K4 Series
With PFC
2400 Watt Single Output
AC/DC Switching Power Supply

FEATURES

- 3 Year Warranty
- Power Good Signal
- PF > 0.98 @ 230VAC
- Case Coating with Paint
- Remote ON/OFF Control
- With Parallel Function (N+1)
- Built-in Remote Sense Option
- Forced Air Cooling by Built-in DC Fan
- AC Input Voltage 180 ~ 260VAC, 3Ø3 Wire
- AC 220VAC, 1Ø or 380VAC, 3Ø4 Wire (Option)
- Input Voltage: 90~260VAC (90 ~ 170VAC Reduced Power)
- Short Circuit/ Overload/ Over Voltage/ Over Temperature Protection
- Can Adjust from 20% ~ 100% Output Voltage by External Control 1-5VDC



SPECIFICATIONS: PS2K4 Series

All specifications are based on 25°C, Nominal Input Voltage, and Maximum Output Current unless otherwise noted.
We reserve the right to change specifications based on technological advances.

INPUT SPECIFICATIONS

Input Voltage Range	90 ~ 260VAC ** (90 ~ 170 VAC reduced power - see "Output Power vs Input Voltage" derating curve)** 180 ~ 260VAC 3Ø3 Wire (other system available)
Input Frequency	47 to 63Hz
Input Current	13.5A / 230VAC
Inrush Current	60A / 230VAC max.
Leakage Current	3.5mA / 240VAC max.
Remote ON/OFF Control	Compatible with a TTL signal to turn ON/OFF

OUTPUT SPECIFICATIONS

Output Voltage	See Table
Output Power Range	2400 Watts max.
Voltage Adjustment Range	±5.0% typical adjustment by potentiometer 20% ~ 100% adjustment by 1-5VDC external control.
Voltage Tolerance (See Note 4)	±2.0% for PS2K4-09, ±1.0% for other models.
Line Regulation	±0.5%
Load Regulation	±1.5% for PS2K4-09, ±0.5% for other models.
Output Current	See Table
Ripple & Noise (See Note 3)	See Table
Setup, Rise, Hold-Up Time	500ms, 50ms, 16ms at full load
Temperature Coefficient	±0.04% / °C (0 ~ 50°C)
Remote Sense	Yes

PROTECTION

Over Voltage Protection	110% ~ 135% Follow to output set up point. Protection Type: Shutdown output voltage, re-power on to recover.
Over Load Protection (See Note 5)	110% ~ 140% rated output power. Protection Type: Current limiting, delay shutdown output voltage, re-power on to recover.
Over Temperature Protection	> 100°C / measure by heat sink, near transformer. Protection Type: Shutdown output voltage, re-power to recover.

GENERAL SPECIFICATIONS

Efficiency	See Table
Withstand Voltage	3KVAC (input to output); 1.5KVAC (input to field ground)
Isolation Resistance	100M ohms / 500VDC (input to output, input to field ground)
Power Factor	0.98 / 230VAC
Power Good Signal	Open Collector of NPN Transistor
Special Function	DC Voltage Adjustment, Remote Sensing, Remote Control, Parallel Operation (refer to control terminal instruction manual).



Wall Industries, Inc.

PS2K4 Series
With PFC
2400 Watt Single Output
AC/DC Switching Power Supply

SPECIFICATIONS (CONTINUED)	
ENVIRONMENTAL SPECIFICATIONS	
Working Temperature	-20°C to +65°C (refer to "Output Power vs Ambient Temperature" derating curve)
Storage Temperature	-20°C to +85°C
Working Humidity	20% to 90% RH (non-condensing)
Storage Humidity	10% to 95% RH
Vibration	10 ~ 200Hz, 2g 10 min./1cycle, 60 min. each along X, Y, and Z axes.
Cooling	By fan: > 20% load or > 50°C
MTBF	24,900 hours minimum MIL-HDBK-217F (25°C)
PHYSICAL SPECIFICATIONS	
Weight	9.0kg
Dimensions	320(L) x 212(W) x 124(H) mm
Warranty	3 years
SAFETY & EMC (See Note 6)	
Safety Standards	UL60950, TUVEN60950 Approved
EMI Conduction & Radiation	Compliance to EN55022 (CISPR22) class A
Harmonic Current	Compliance to EN61000-3-2,3
EMS Immunity	Compliance to EN61000-4-2,3,4,5,6,8,11, Light industry level, criteria A.

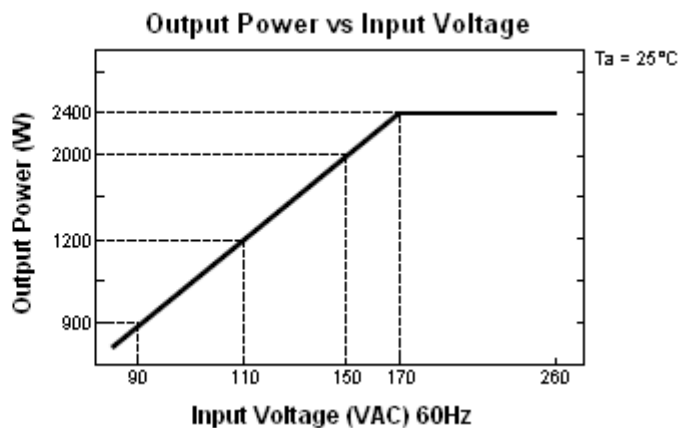
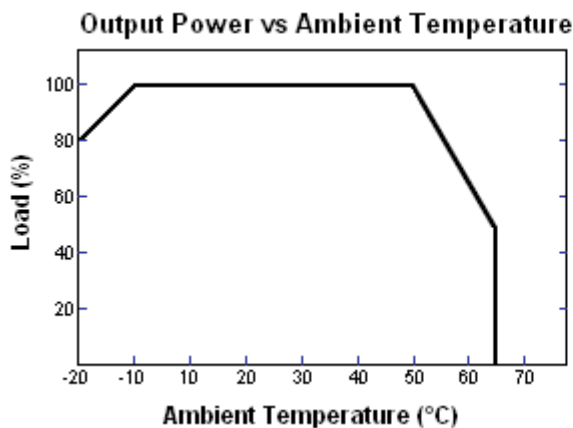
OUTPUT VOLTAGE / CURRENT RATING CHART

Model Number	Output Voltage	Output Current	Output Power	Ripple & Noise	Efficiency
PS2K4-09	9 VDC	266A	2400W	90mVp-p	83%
PS2K4-12	12 VDC	200A	2400W	120mVp-p	84%
PS2K4-15	15 VDC	160A	2400W	150mVp-p	85%
PS2K4-24	24 VDC	100A	2400W	150mVp-p	88%
PS2K4-48	48 VDC	50A	2400W	200mVp-p	89%

NOTES

- Input voltage is 90 ~ 260VAC however, the unit does not reach full power until >170VAC. See derating curve below.
- All parameters NOT specially mentioned are measured at 230VAC input, rated load and 25 of ambient temperature.
- Ripple & noise is measured at 20MHz of bandwidth by using a 12" twisted pair-wire terminated with a 0.1uf & 47uf parallel capacitor.
- Tolerance: includes set up tolerance, line regulation and load regulation.
- Current limiting 3 times (1.5s, 3.0s, 5.0s) then intelligent auto recovery before shut down
- The power supply is considered a component, which will be installed into final equipment. The final equipment must be re-confirmed that it still meets EMC directives.

DERATING CURVES



CONNECTOR PIN-OUT DRAWINGS

FIG. A: 3Ø3W 220VAC SYSTEM

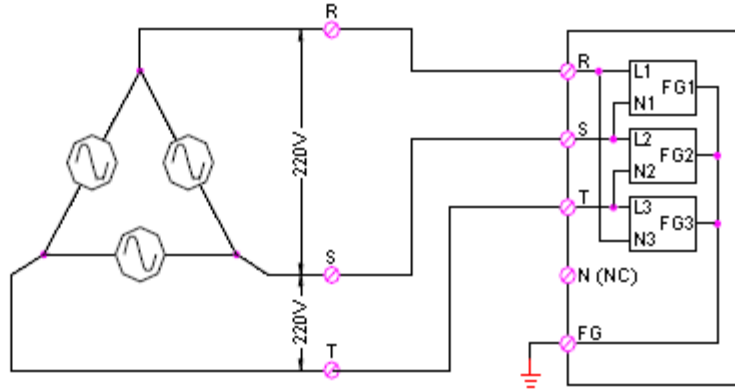


FIG. B: 1Ø220VAC SYSTEM

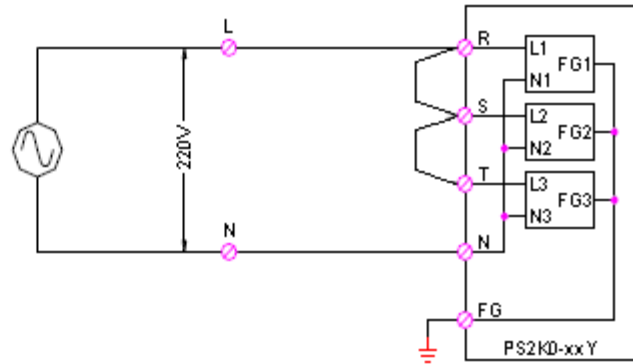


FIG. C: 3Ø4W 220/380VAC SYSTEM

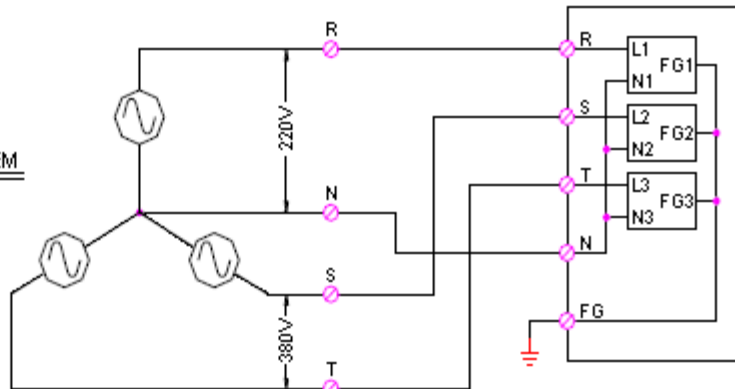
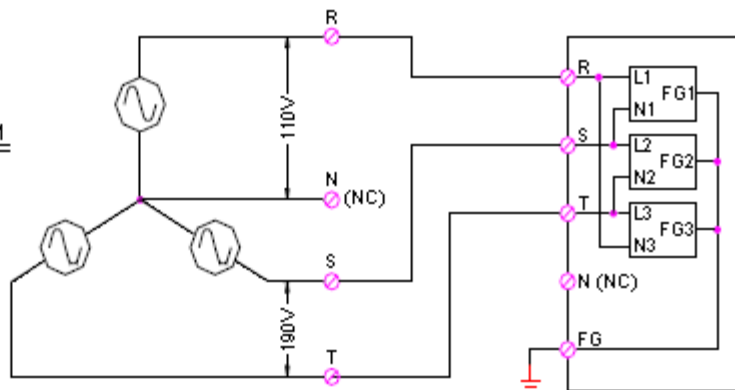


FIG. D: 3Ø4W 110/190VAC SYSTEM





Wall Industries, Inc.

PS2K4 Series
With PFC
2400 Watt Single Output
AC/DC Switching Power Supply

MECHANICAL DRAWING

