

# MALE 2.00mm 4 ROW FUTUREBUS

## SPECIFICATIONS

**INSULATOR MATERIAL**  
Liquid Crystal Polymer (LCP)  
UL94V-O

**CONTACT MATERIAL**  
Brass

**CURRENT RATING**  
1 amp

**DIELECTRIC WITHSTANDING VOLTAGE**  
AC 1000V for 1 minute

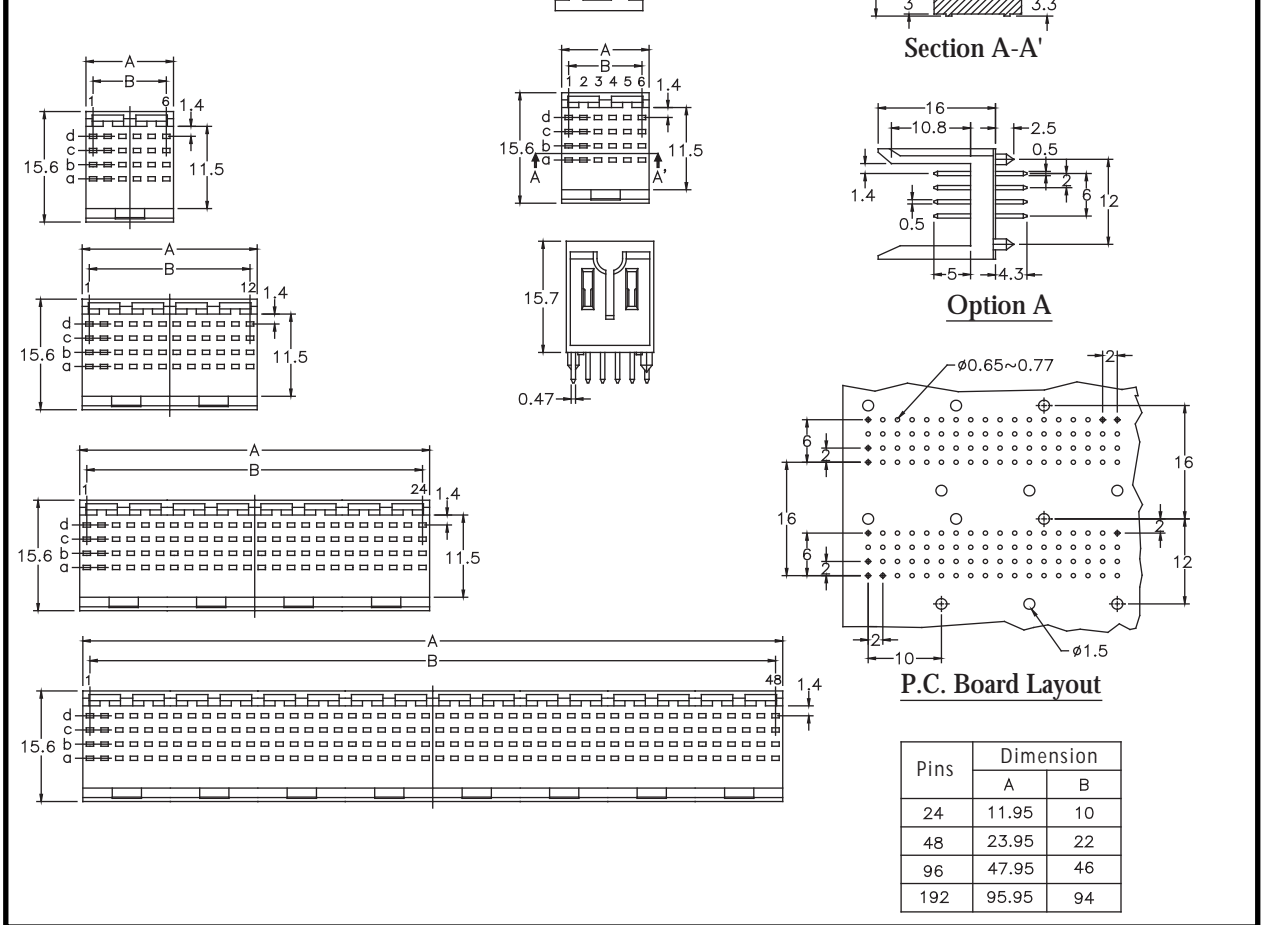
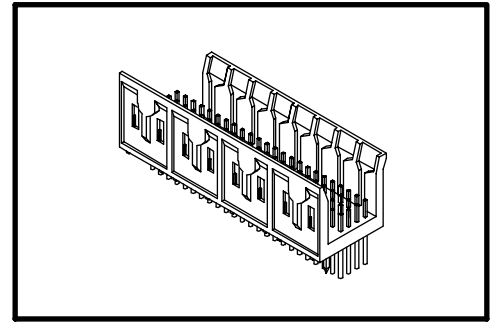
**INSULATOR RESISTANCE**  
1000 megohm Minimum at DC 500V

**CONTACT RESISTANCE**  
30 milliohm Maximum at DC 100mA

**OPERATING TEMPERATURE**  
-65° C to +125° C

## FEATURES

- \* 2mm high density futurebus+ male solder type
- \* Available pin count: 24, 48, 96
- \* Side by side stackable
- \* Various solder tail length options
- \* Push-fit peg
- \* See part number breakdown on page 92



## PART NUMBER CODING

**FB1-** Series    **4** 4: 4Rows    **1** 1: Male Signal    **24** Pins    **A** A: Loading    **C** C: Dip Tin Plated Contact Gold Plated G: Gold Plated    **D** D: Dip Type

# MALE 2.00mm 4 ROW PRESSFIT FUTUREBUS

## SPECIFICATIONS

**INSULATOR MATERIAL**  
Liquid Crystal Polymer (LCP)  
UL94V-0

**CONTACT MATERIAL**  
Phosphor Bronze

**CURRENT RATING**  
1 amp

**DIELECTRIC WITHSTANDING VOLTAGE**  
AC 1000V for 1 minute

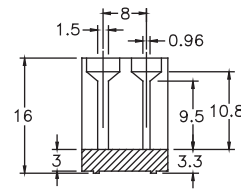
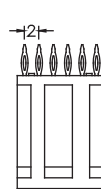
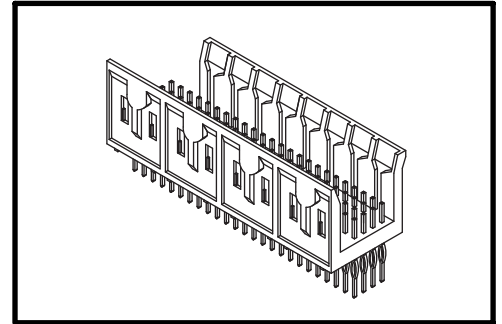
**INSULATOR RESISTANCE**  
1000 megohm Minimum at DC 500V

**CONTACT RESISTANCE**  
30 milliohm Maximum at DC 100mA

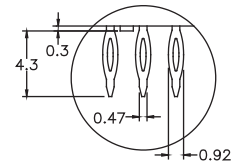
**OPERATING TEMPERATURE**  
-65° C to +125° C

## FEATURES

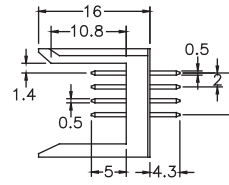
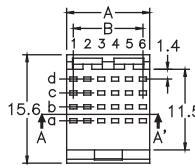
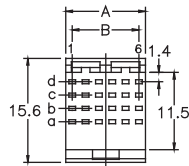
- \* 2mm high density futurebus+ male pressfit type
- \* Available pin count: 24, 48, 96, 192
- \* Side by side stackable
- \* Various tail lengths
- \* Solderless pressfit
- \* See part number breakdown on page 92



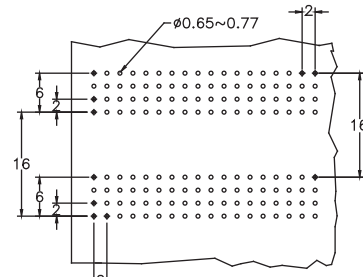
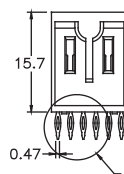
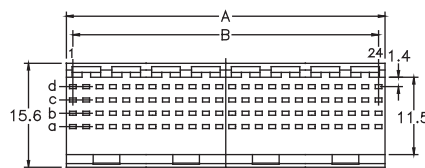
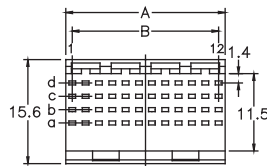
Section A-A'



Detail P



Option A



P.C. Board Layout

Pins	Dimension	
	A	B
24	11.95	10
48	23.95	22
96	47.95	46
192	95.95	94

## PART NUMBER CODING

<b>FB1-</b>	<u><b>4</b></u>	<u><b>1</b></u>	<u><b>24</b></u>	<b>A</b>	<u><b>C</b></u>	<u><b>P</b></u>
Series	4: 4Rows	1: Male	Pins	Loading	C: Dip Tin Plated Contact Gold Plated G: Gold Plated	P: Pressfit Type

# FEMALE 2.00mm 4 ROW PRESSFIT FUTUREBUS

## SPECIFICATIONS

**INSULATOR MATERIAL**  
Liquid Crystal Polymer (LCP)  
UL94V-O

**CONTACT MATERIAL**  
Phosphor Bronze

**CURRENT RATING**  
3 amp

**DIELECTRIC WITHSTANDING VOLTAGE**  
AC 1000V for 1 minute

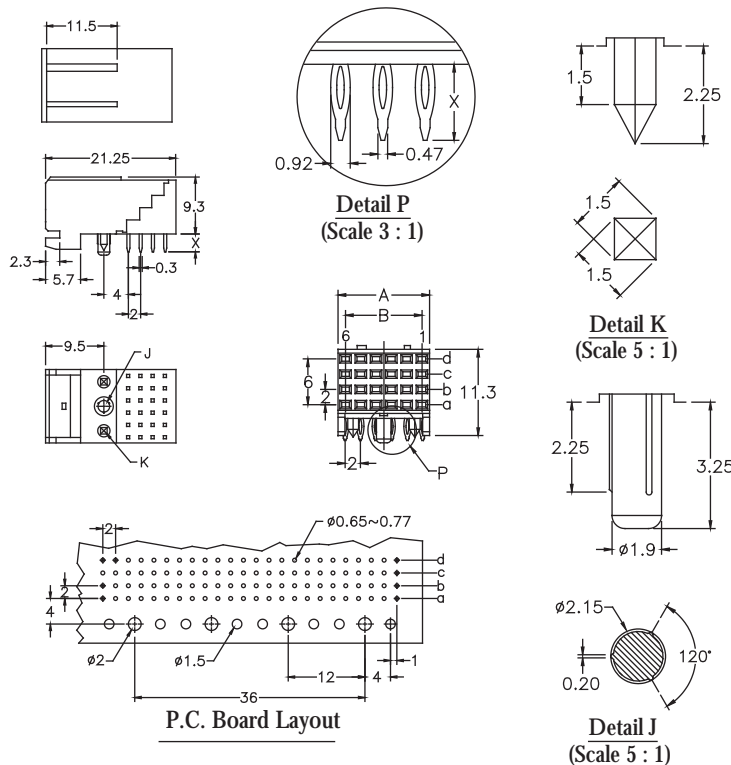
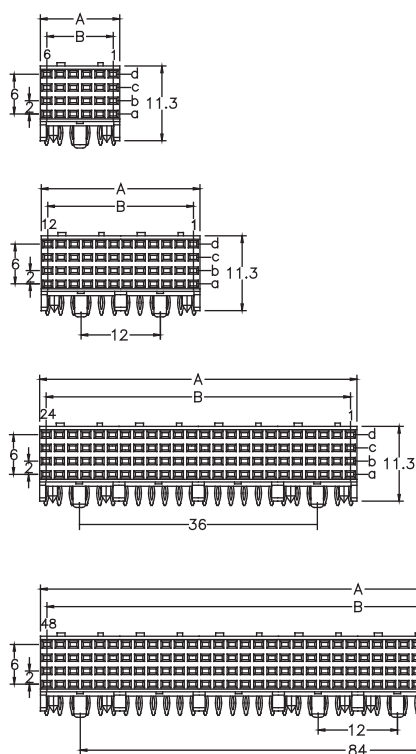
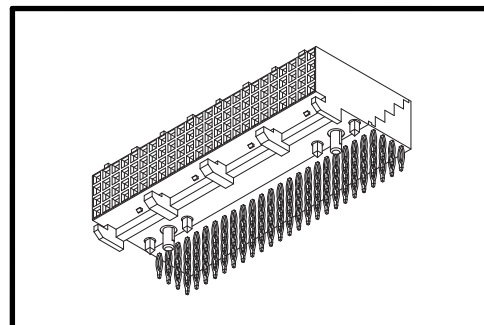
**INSULATOR RESISTANCE**  
1000 megohm Minimum at DC 500V

**CONTACT RESISTANCE**  
30 milliohm Maximum at DC 100mA

**OPERATING TEMPERATURE**  
-65° C to +125° C

## FEATURES

- \* 2mm high density futurebus+ female right angle pressfit type
- \* Available pin count: 24, 48, 96, 192
- \* Side by side stackable
- \* Pressfit
- \* See part number breakdown on page 92



X Length	Pin Count	
	1	2
	2.90	3.53
Pins	Dimension	
	A	B
24	11.95	10
48	23.95	22
96	47.95	46
192	95.95	94

## PART NUMBER CODING

**FB1-** Series      4 4: 4Rows      2 2: Female Signal      24 Pins      A Loading      C C: Dip Tin Plated Contact Gold Plated G: Gold Plated      P P: Pressfit Type

# FEMALE 2.00mm 4 ROW FUTUREBUS

## SPECIFICATIONS

**INSULATOR MATERIAL**  
Liquid Crystal Polymer (LCP)  
UL94V-O

**CONTACT MATERIAL**  
Phosphor Bronze

**CURRENT RATING**  
1 amp

**DIELECTRIC WITHSTANDING VOLTAGE**  
AC 1000V for 1 minute

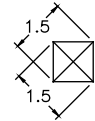
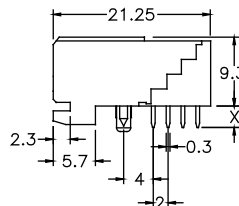
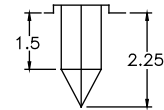
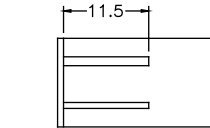
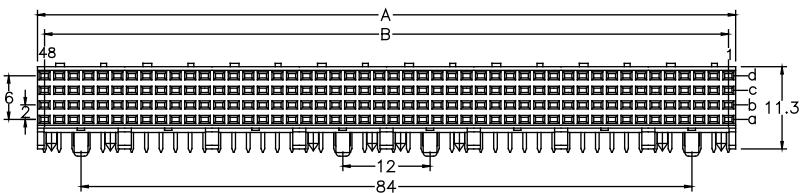
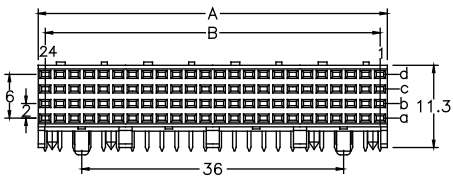
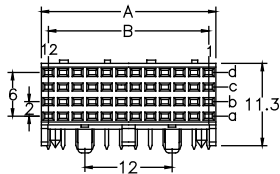
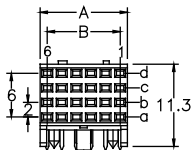
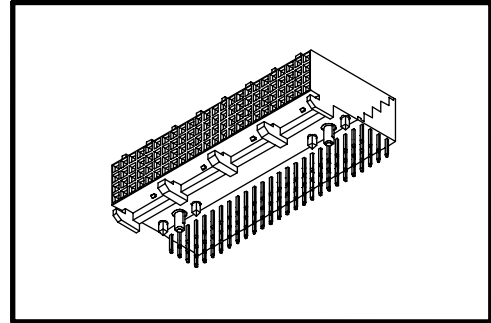
**INSULATOR RESISTANCE**  
1000 megohm Minimum at DC 500V

**CONTACT RESISTANCE**  
30 milliohm Maximum at DC 100mA

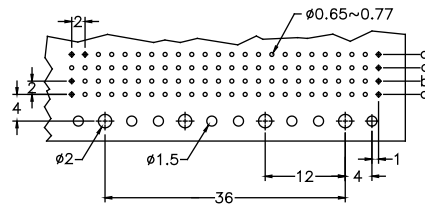
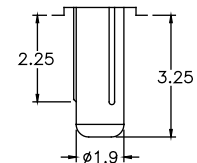
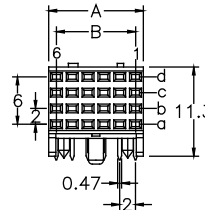
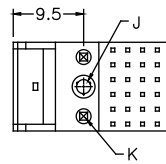
**OPERATING TEMPERATURE**  
-65° C to +125° C

## FEATURES

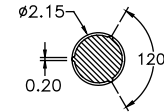
- \* 2mm high density futurebus+ female right angle solder type
- \* Available pin count: 24, 48, 96, 192
- \* Side by side stackable
- \* Solderless Pressfit also available
- \* Push-fit peg
- \* See part number breakdown on page 92



**Detail K**  
(Scale 5 : 1)



**P.C. Board Layout**



**Detail J**  
(Scale 5 : 1)

X Length	1	2
	2.90	3.53
Pins	Dimension	
	A	B
24	11.95	10
48	23.95	22
96	47.95	46
192	95.95	94

## PART NUMBER CODING

FB1-  
Series

4

4: 4Rows

2

2: Female

24

Pins

A

Loading

C

C: Dip Tin Plated  
Contact Gold Plated  
G: Gold Plated

D

D: Dip Type

# FEMALE 2.00mm 4 ROW FUTUREBUS, 12.64mm HEIGHT

## SPECIFICATIONS

**INSULATOR MATERIAL**  
Liquid Crystal Polymer (LCP)  
UL94V-O

**CONTACT MATERIAL**  
Phosphor Bronze

**CURRENT RATING**  
1 amp

**DIELECTRIC WITHSTANDING VOLTAGE**  
AC 1000V for 1 minute

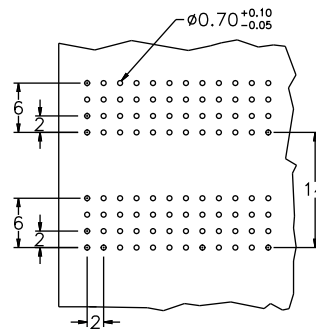
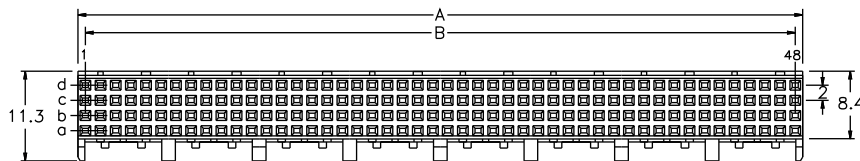
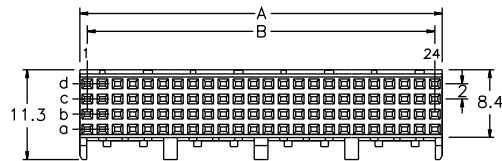
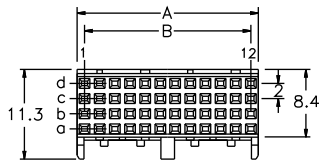
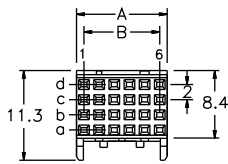
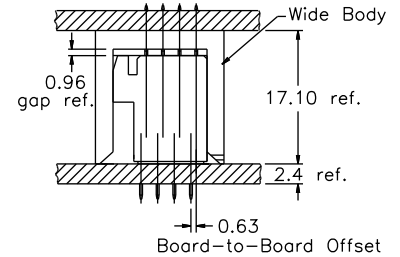
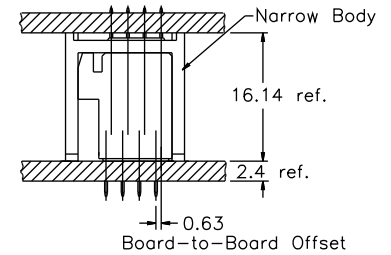
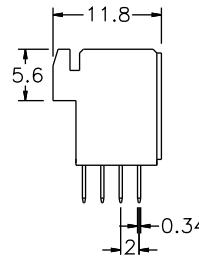
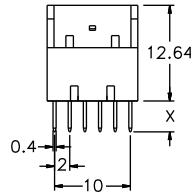
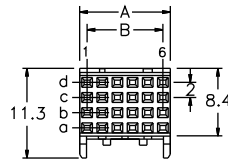
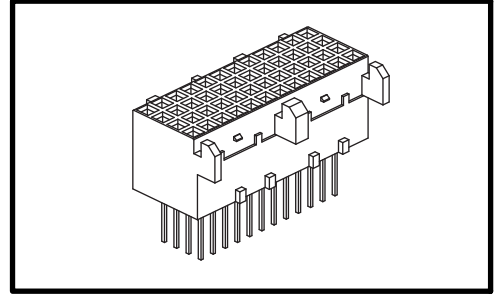
**INSULATOR RESISTANCE**  
1000 megohm Minimum at DC 500V

**CONTACT RESISTANCE**  
30 milliohm Maximum at DC 100mA

**OPERATING TEMPERATURE**  
-65° C to +125° C

### Features:

- \* 2mm high density futurebus+ female straight solder type
- \* Available pin count 24, 48, 96, 192
- \* Side by side stackable
- \* See part number breakdown on page 92



**P.C. Board Layout**

### Application Example

X Length	1	2
	3.45	4.25
Pins	Dimension	
	A	B
24	11.95	10
48	23.95	22
96	47.95	46
192	95.95	94

## PART NUMBER CODING

<u>FB1-</u> Series	<u>4</u> 4: 4Rows	<u>6</u> 6: Female Straight	<u>24</u> Pins	<u>A</u> A: Loading	<u>C</u> C: Dip Tin Plated Contact Gold Plated G: Gold Plated	<u>D</u> D: Dip Type
-----------------------	----------------------	-----------------------------------	-------------------	------------------------	--	-------------------------

# FEMALE 2.00mm 4 ROW FUTUREBUS, 16.6mm HEIGHT

## SPECIFICATIONS

**INSULATOR MATERIAL**  
Liquid Crystal Polymer (LCP)  
UL94V-0

**CONTACT MATERIAL**  
Phosphor Bronze

**CURRENT RATING**  
1 amp

**DIELECTRIC WITHSTANDING VOLTAGE**  
AC 1000V for 1 minute

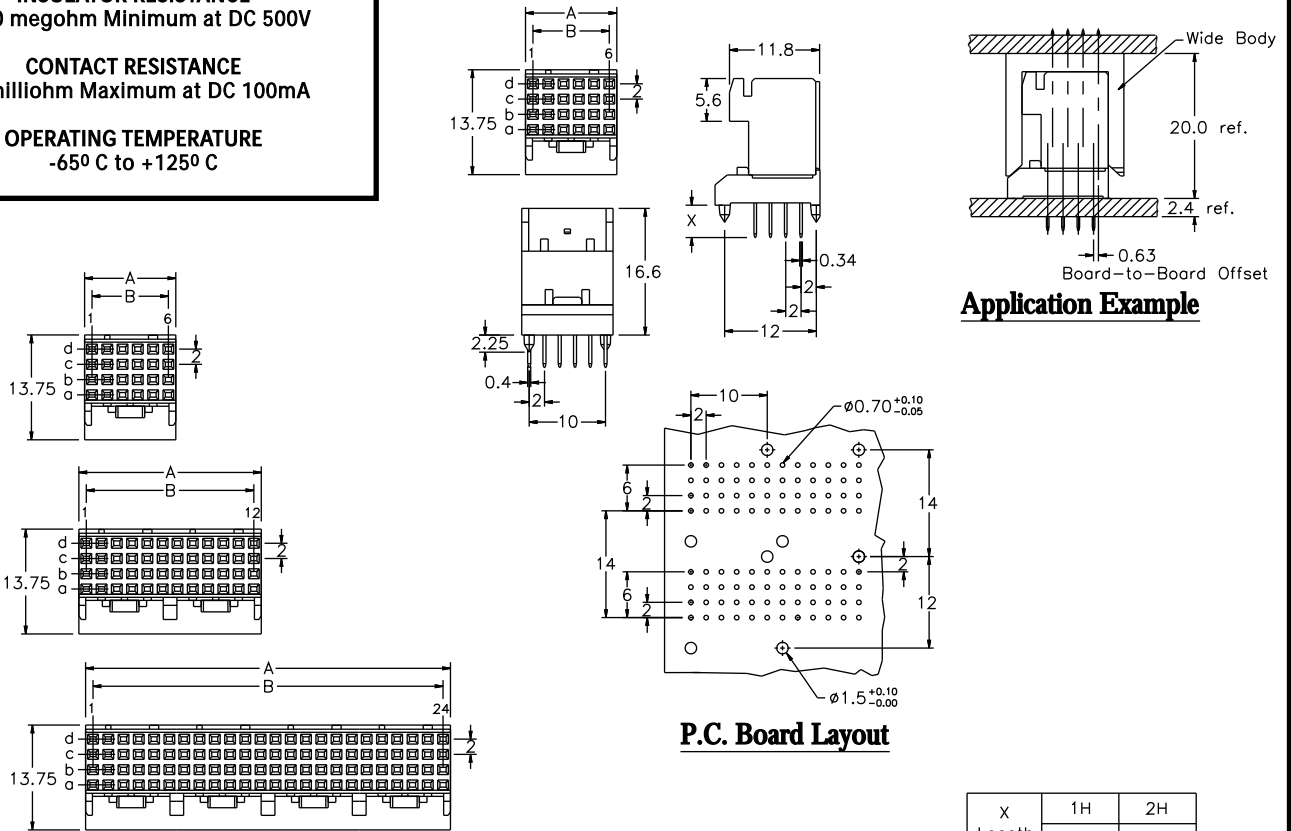
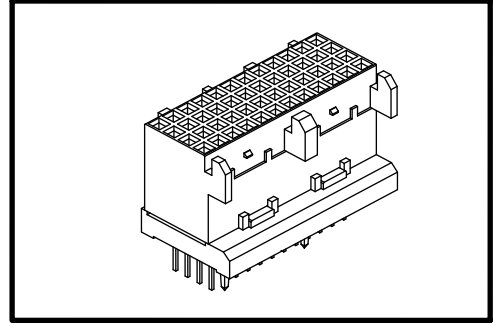
**INSULATOR RESISTANCE**  
1000 megohm Minimum at DC 500V

**CONTACT RESISTANCE**  
30 milliohm Maximum at DC 100mA

**OPERATING TEMPERATURE**  
-65° C to +125° C

### Features:

- \* 2mm high density futurebus+ female straight solder type
- \* Available pin count 24, 48, 96, 192
- \* Side by side stackable
- \* See part number breakdown on page 92



### Application Example

### P.C. Board Layout

X Length	1H	2H
	3.45	4.25
Pins	Dimension	
	A	B
24	11.95	10
48	23.95	22
96	47.95	46
192	95.95	94

## PART NUMBER CODING

FB1-	<u>4</u>	<u>6</u>	<u>24</u>	H	<u>C</u>	<u>D</u>
Series	4: 4Rows	6: Female Straight	Pins	H: Loading	C: Dip Tin Plated Contact Gold Plated G: Gold Plated	D: Dip Type
	Pins					