

**MC68HC05C4A**  
**MC68HCL05C4A**  
**MC68HSC05C4A**  
General Release Specification

August 5, 1997

CSIC System Design Group  
Austin, Texas



*Motorola reserves the right to make changes without further notice to any products herein to improve reliability, function or design. Motorola does not assume any liability arising out of the application or use of any product or circuit described herein; neither does it convey any license under its patent rights nor the rights of others. Motorola products are not designed, intended, or authorized for use as components in systems intended for surgical implant into the body, or other applications intended to support or sustain life, or for any other application in which the failure of the Motorola product could create a situation where personal injury or death may occur. Should Buyer purchase or use Motorola products for any such unintended or unauthorized application, Buyer shall indemnify and hold Motorola and its officers, employees, subsidiaries, affiliates, and distributors harmless against all claims, costs, damages, and expenses, and reasonable attorney fees arising out of, directly or indirectly, any claim of personal injury or death associated with such unintended or unauthorized use, even if such claim alleges that Motorola was negligent regarding the design or manufacture of the part.*

## List of Sections

<b>Section 1. General Description</b>	<b>15</b>
<b>Section 2. Memory</b>	<b>25</b>
<b>Section 3. Central Processor Unit (CPU)</b>	<b>31</b>
<b>Section 4. Interrupts</b>	<b>35</b>
<b>Section 5. Resets</b>	<b>41</b>
<b>Section 6. Low-Power Modes</b>	<b>45</b>
<b>Section 7. Input/Output (I/O) Ports</b>	<b>49</b>
<b>Section 8. Timer</b>	<b>53</b>
<b>Section 9. Serial Communications</b>	
<b>Interface (SCI)</b>	<b>63</b>
<b>Section 10. Serial Peripheral Interface (SPI)</b>	<b>81</b>
<b>Section 11. Operating Modes</b>	<b>91</b>
<b>Section 12. Instruction Set</b>	<b>95</b>
<b>Section 13. Electrical Specifications</b>	<b>113</b>
<b>Section 14. Mechanical Specifications</b>	<b>131</b>
<b>Section 15. Ordering Information</b>	<b>135</b>
<b>Appendix A. MC68HCL05C4A</b>	<b>141</b>
<b>Appendix B. MC68HSC05C4A</b>	<b>145</b>
<b>Appendix C. M68HC05Cx Family</b>	
<b>Feature Comparisons</b>	<b>153</b>

# List of Sections

## Table of Contents

### Section 1. General Description

1.1	Contents .....	15
1.2	Introduction .....	15
1.3	Features.....	16
1.4	Mask Options.....	18
1.5	Functional Pin Description .....	18
1.5.1	$V_{DD}$ and $V_{SS}$ .....	22
1.5.2	$IRQ$ .....	22
1.5.3	OSC1 and OSC2.....	22
1.5.4	$RESET$ .....	22
1.5.5	TCAP .....	22
1.5.6	TCMP .....	22
1.5.7	Port A (PA0–PA7) .....	23
1.5.8	Port B (PB0–PB7) .....	23
1.5.9	Port C (PC0–PC7).....	23
1.5.10	Port D (PD0–PD5 and PD7).....	23

### Section 2. Memory

2.1	Contents .....	25
2.2	Introduction .....	25
2.3	Read-Only Memory (ROM).....	25
2.4	ROM Security Feature .....	26
2.5	Random-Access Memory (RAM).....	26

### Section 3. Central Processor Unit (CPU)

3.1	Contents .....	31
3.2	Introduction .....	31
3.3	CPU Registers .....	31
3.3.1	Accumulator .....	32
3.3.2	Index Register .....	32

3.3.3	Program Counter .....	33
3.3.4	Stack Pointer .....	33
3.3.5	Condition Code Register .....	33

## Section 4. Interrupts

4.1	Contents.....	35
4.2	Introduction .....	35
4.3	Hardware Controlled Interrupt Sequence .....	37
4.4	Software Interrupt (SWI) .....	37
4.5	External Interrupt (IRQ).....	39
4.6	Timer Interrupt .....	39
4.7	Serial Communications Interrupt (SCI) .....	39
4.8	Serial Peripheral Interrupt (SPI).....	40

## Section 5. Resets

5.1	Contents.....	41
5.2	Introduction .....	41
5.3	Power-On Reset (POR) .....	42
5.4	$\overline{\text{RESET}}$ Pin.....	42
5.5	Computer Operating Properly (COP) Reset .....	42
5.5.1	Resetting the COP.....	42
5.5.2	COP During Wait Mode.....	43
5.5.3	COP During Stop Mode.....	43
5.5.4	COP During Self-Check Mode.....	43

## Section 6. Low-Power Modes

6.1	Contents.....	45
6.2	Introduction .....	45
6.3	Stop Mode.....	46
6.4	Stop Recovery .....	47
6.5	Wait Mode.....	47

## Section 7. Input/Output (I/O) Ports

7.1	Contents.....	49
7.2	Introduction .....	49
7.3	Port A .....	49
7.4	Port B .....	50

7.5	Port C.....	50
7.6	Port D.....	51
7.7	Input/Output Programming .....	51

## Section 8. Timer

8.1	Contents .....	53
8.2	Introduction .....	53
8.3	Counter .....	55
8.4	Output Compare Register.....	56
8.5	Input Capture Register.....	57
8.6	Timer Control Register.....	58
8.7	Timer Status Register .....	60
8.8	Timer During Wait Mode.....	61
8.9	Timer During Stop Mode.....	61

## Section 9. Serial Communications Interface (SCI)

9.1	Contents .....	63
9.2	Introduction .....	63
9.3	Features.....	64
9.4	SCI Data Format.....	64
9.5	SCI Operation .....	65
9.5.1	Transmitter .....	65
9.5.2	Receiver .....	68
9.6	SCI I/O Registers.....	71
9.6.1	SCI Data Register .....	71
9.6.2	SCI Control Register 1 .....	72
9.6.3	SCI Control Register 2 .....	74
9.6.4	SCI Status Register.....	76
9.6.5	Baud Rate Register .....	78

## Section 10. Serial Peripheral Interface (SPI)

10.1	Contents .....	81
10.2	Introduction .....	81
10.3	Features.....	82
10.4	SPI Signal Description.....	82
10.4.1	Master In Slave Out (MISO) .....	82
10.4.2	Master Out Slave In (MOSI) .....	82

10.4.3	Serial Clock (SCK).....	83
10.4.4	Slave Select ( $\overline{SS}$ ) .....	84
10.5	Functional Description .....	84
10.6	SPI Registers .....	86
10.6.1	Serial Peripheral Control Register .....	87
10.6.2	Serial Peripheral Status Register .....	88
10.6.3	Serial Peripheral Data I/O Register .....	90

## Section 11. Operating Modes

11.1	Contents.....	91
11.2	Introduction .....	91
11.3	User Mode .....	91
11.4	Self-Check Mode .....	92
11.4.1	Self-Check Tests .....	92
11.4.2	Self-Check Results .....	93

## Section 12. Instruction Set

12.1	Contents.....	95
12.2	Introduction .....	96
12.3	Addressing Modes .....	96
12.3.1	Inherent .....	97
12.3.2	Immediate.....	97
12.3.3	Direct .....	97
12.3.4	Extended .....	97
12.3.5	Indexed, No Offset.....	98
12.3.6	Indexed, 8-Bit Offset.....	98
12.3.7	Indexed, 16-Bit Offset.....	98
12.3.8	Relative.....	99
12.4	Instruction Types.....	99
12.4.1	Register/Memory Instructions.....	100
12.4.2	Read-Modify-Write Instructions .....	101
12.4.3	Jump/Branch Instructions .....	102
12.4.4	Bit Manipulation Instructions.....	104
12.4.5	Control Instructions.....	105
12.5	Instruction Set Summary.....	106
12.6	Opcode Map .....	111



## Section 13. Electrical Specifications

13.1	Contents .....	113
13.2	Introduction .....	113
13.3	Maximum Ratings .....	114
13.4	Operating Temperature Range .....	115
13.5	Thermal Characteristics .....	115
13.6	Power Considerations .....	116
13.7	5.0 V DC Electrical Characteristics .....	118
13.8	3.3 V DC Electrical Characteristics .....	119
13.9	5.0 V Control Timing .....	122
13.10	3.3 V Control Timing .....	123
13.11	5.0 V Serial Peripheral Interface Timing .....	126
13.12	3.3 V Serial Peripheral Interface Timing .....	127

## Section 14. Mechanical Specifications

14.1	Contents .....	131
14.2	Introduction .....	131
14.3	40-Pin Plastic Dual In-Line (DIP) Package (Case 711-03) .....	132
14.4	42-Pin Plastic Shrink Dual In-Line (SDIP) Package (Case 858-01) .....	132
14.5	44-Lead Plastic Leaded Chip Carrier (PLCC) (Case 777-02) .....	133
14.6	44-Lead Quad Flat Pack (QFP) (Case 824A-01) .....	134

## Section 15. Ordering Information

15.1	Contents .....	135
15.2	Introduction .....	135
15.3	MCU Ordering Forms .....	135
15.4	Application Program Media .....	136
15.5	ROM Program Verification .....	137
15.6	ROM Verification Units (RVUs) .....	138
15.7	MC Order Numbers .....	139

## Appendix A. MC68HCL05C4A

A.1	Contents.....	141
A.2	Introduction .....	141
A.3	Low-Power Operating Temperature Range .....	141
A.4	2.5–3.6 V DC Electrical Characteristics .....	142
A.5	1.8–2.4 V DC Electrical Characteristics .....	142
A.6	Low-Power Supply Current.....	143

## Appendix B. MC68HSC05C4A

B.1	Contents.....	145
B.2	Introduction .....	145
B.3	High-Speed Operating Temperature Range .....	146
B.4	4.5 –5.5 V High-Speed Supply Currents.....	147
B.5	4.5–5.5 V High-Speed Control Timing .....	148
B.6	2.4–3.6 V High-Speed Control Timing .....	148
B.7	4.5–5.5 V High-Speed SPI Timing.....	150
B.8	2.4–3.6 V High-Speed SPI Timing.....	151

## Appendix C. M68HC05Cx Family Feature Comparisons

C.1	Contents.....	153
C.2	Introduction .....	153
	Table C-1. M68HC05Cx Feature Comparison .....	154

## List of Figures

Figure	Title	Page
1-1	Block Diagram . . . . .	17
1-2	40-Pin Dual In-Line Package . . . . .	19
1-3	42-Pin Plastic Shrink Dual In-Line Package . . . . .	20
1-4	44-Lead Plastic Leaded Chip Carrier . . . . .	21
1-5	44-Lead Quad Flat Pack . . . . .	21
2-1	Memory Map . . . . .	27
2-2	Input/Output Registers . . . . .	28
3-1	Programming Model . . . . .	32
3-2	Stacking Order . . . . .	32
4-1	Interrupt Flowchart . . . . .	38
6-1	Stop/Wait Mode Flowchart . . . . .	46
6-2	Stop Recovery Timing Diagram . . . . .	47
7-1	Port B Pullup Option . . . . .	50
7-2	I/O Circuitry . . . . .	52
8-1	Timer Block Diagram . . . . .	54
8-2	Output Compare Operation . . . . .	57
8-3	Input Capture Operation . . . . .	58
8-4	Timer Control Register (TCR) . . . . .	58
8-5	Timer Status Register (TSR) . . . . .	60
9-1	SCI Data Format . . . . .	64
9-2	SCI Transmitter . . . . .	66
9-3	SCI Receiver . . . . .	68

## List of Figures

Figure	Title	Page
9-4	SCI Data Register (SCDR) . . . . .	71
9-5	SCI Control Register (SCCR1) . . . . .	72
9-6	SCI Control Register 2 (SCCR2) . . . . .	74
9-7	SCI Status Register (SCSR) . . . . .	76
9-8	Baud Rate Register (BAUD) . . . . .	78
10-1	Data Clock Timing Diagram . . . . .	83
10-2	Serial Peripheral Interface Block Diagram . . . . .	85
10-3	Serial Peripheral Interface Master-Slave Interconnection . . . . .	86
10-4	SPI Control Register (SPCR) . . . . .	87
10-5	SPI Status Register (SPSR) . . . . .	88
11-1	User Mode Pinout . . . . .	92
11-2	Self-Check Circuit Schematic . . . . .	94
13-1	Test Load . . . . .	117
13-2	Maximum Supply Current Versus Internal Clock Frequency, $V_{DD} = 5.5\text{ V}$ . . . . .	120
13-3	Maximum Supply Current Versus Internal Clock Frequency, $V_{DD} = 3.6\text{ V}$ . . . . .	121
13-4	TCAP Timing Relationships . . . . .	123
13-5	External Interrupt Timing . . . . .	124
13-6	External Reset Timing . . . . .	124
13-7	STOP Recovery Timing Diagram . . . . .	125
13-8	Power-On Reset Timing Diagram . . . . .	125
13-9	SPI Master Timing Diagram . . . . .	128
13-10	SPI Slave Timing Diagram . . . . .	129

## List of Tables

Table	Title	Page
4-1	Vector Addresses for Interrupts and Reset. . . . .	36
7-1	I/O Pin Functions . . . . .	51
9-1	Baud Rate Generator Clock Prescaling . . . . .	79
9-2	Baud Rate Selection . . . . .	79
9-3	Baud Rate Selection Examples . . . . .	80
10-1	Serial Peripheral Rate Selection. . . . .	88
11-1	Operating Mode Conditions . . . . .	91
11-2	Self-Check Circuit LED Codes . . . . .	93
12-1	Register/Memory Instructions . . . . .	100
12-2	Read-Modify-Write Instructions . . . . .	101
12-3	Jump and Branch Instructions . . . . .	103
12-4	Bit Manipulation Instructions. . . . .	104
12-5	Control Instructions. . . . .	105
12-6	Instruction Set Summary . . . . .	106
12-7	Opcode Map . . . . .	112
15-1	MC Order Numbers . . . . .	139
C-1	M68HC05Cx Feature Comparison . . . . .	154



## Section 1. General Description

### 1.1 Contents

1.2	Introduction .....	15
1.3	Features.....	16
1.4	Mask Options.....	18
1.5	Functional Pin Description .....	18
1.5.1	$V_{DD}$ and $V_{SS}$ .....	22
1.5.2	$\overline{IRQ}$ .....	22
1.5.3	$\overline{OSC1}$ and $\overline{OSC2}$ .....	22
1.5.4	$\overline{RESET}$ .....	22
1.5.5	TCAP .....	22
1.5.6	TCMP .....	22
1.5.7	Port A (PA0–PA7) .....	23
1.5.8	Port B (PB0–PB7) .....	23
1.5.9	Port C (PC0–PC7).....	23
1.5.10	Port D (PD0–PD5 and PD7).....	23

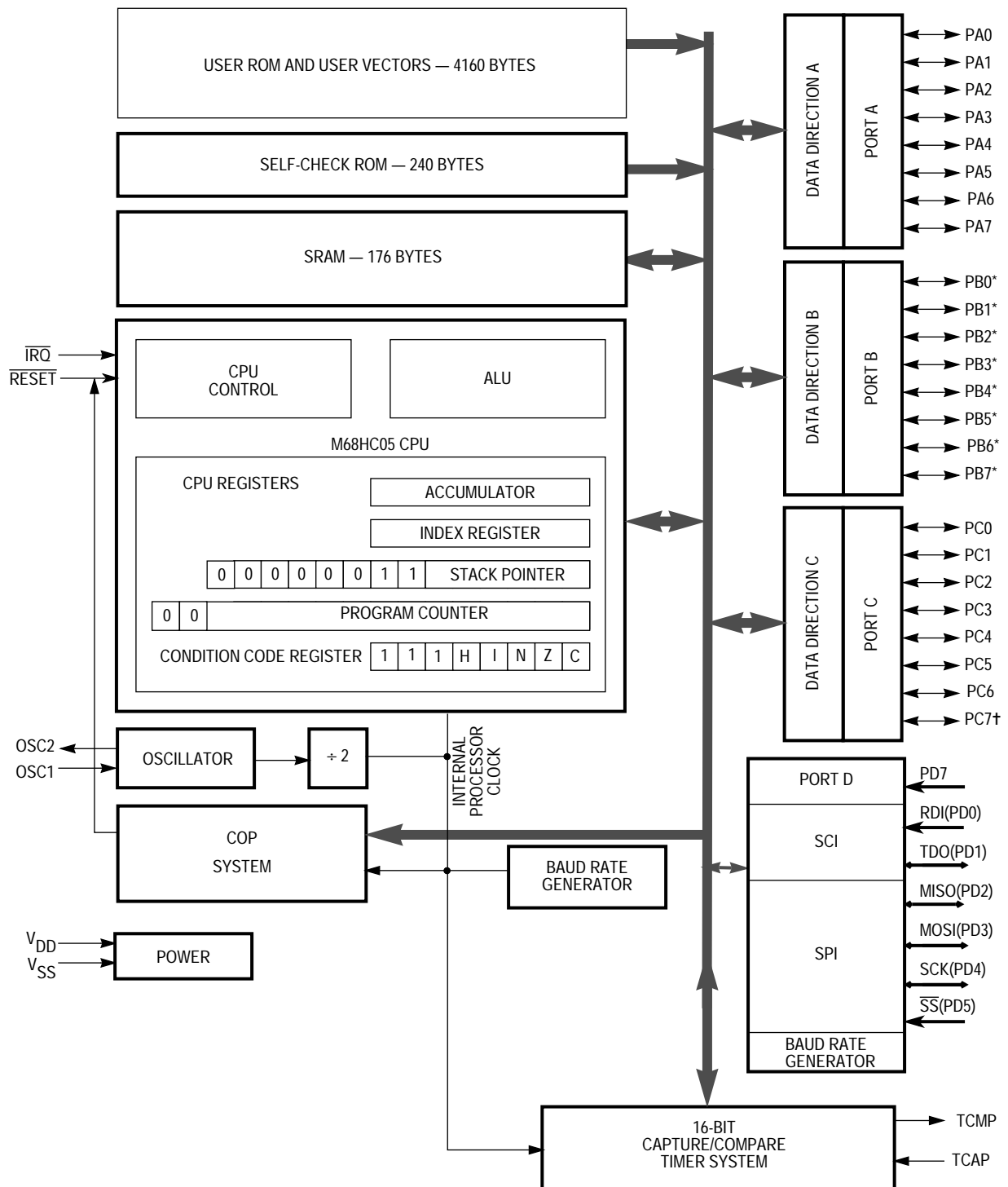
### 1.2 Introduction

The MC68HC05C4A is an enhanced version of the MC68HC05C4. It includes keyboard scanning logic, a high-current pin, a COP watchdog timer, and read-only memory (ROM) security.

### 1.3 Features

- M68HC05 Core
- Single 3.0- to 5.5-Volt Supply
- Available Packages:
  - 40-Pin Dual In-Line (DIP)
  - 42-Pin Plastic Shrink Dual In-Line (SDIP)
  - 44-Lead Plastic Leaded Chip Carrier (PLCC)
  - 44-Lead Quad Flat Pack (QFP)
- On-Chip Oscillator for Crystal/Ceramic Resonator
- Fully Static Operation
- 4160 Bytes of User ROM
- ROM Security Feature
- 176 Bytes of On-Chip Random-Access Memory (RAM)
- Asynchronous Serial Communications Interface (SCI) System
- Synchronous Serial Peripheral Interface (SPI) System
- 16-Bit Capture/Compare Timer System
- Computer Operating Properly (COP) Watchdog Timer
- 24 Bidirectional Input/Output (I/O) Lines
- Seven Input-Only Lines
- User Mode
- Self-Check Mode
- Power-Saving Stop and Wait Modes
- High Current Sink and Source on One Port Pin (PC7)
- Mask Selectable External Interrupt Sensitivity
- Mask Programmable Keyscan Logic





\* Port B pins also function as external interrupts.  
† PC7 has a high current sink and source capability.

**Figure 1-1. Block Diagram**

### 1.4 Mask Options

Eight mask options are available to select the pullup/interrupts on port B on a pin-by-pin basis.

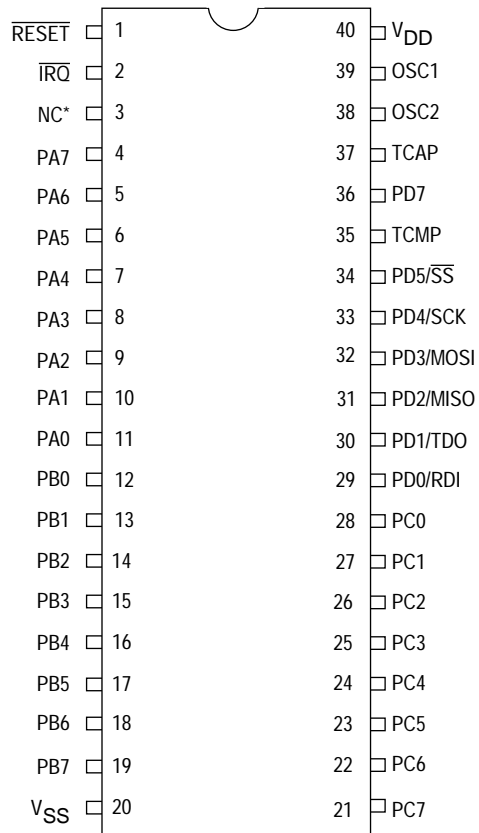
There are also four mask options for:

1.  $\overline{\text{IRQ}}$ , edge-sensitive only or edge- and level-sensitive
2. CLOCK, crystal or RC
3. COP, enable or disable
4. STOP, enable or disable

### 1.5 Functional Pin Description

The MC68HC05C4A is available in a 40-pin DIP (see [Figure 1-2](#)), 42-pin SDIP (see [Figure 1-3](#)), 44-pin PLCC (see [Figure 1-2](#)), and 44-pin QFP (see [Figure 1-5](#)). The following paragraphs describe the general function of each pin.

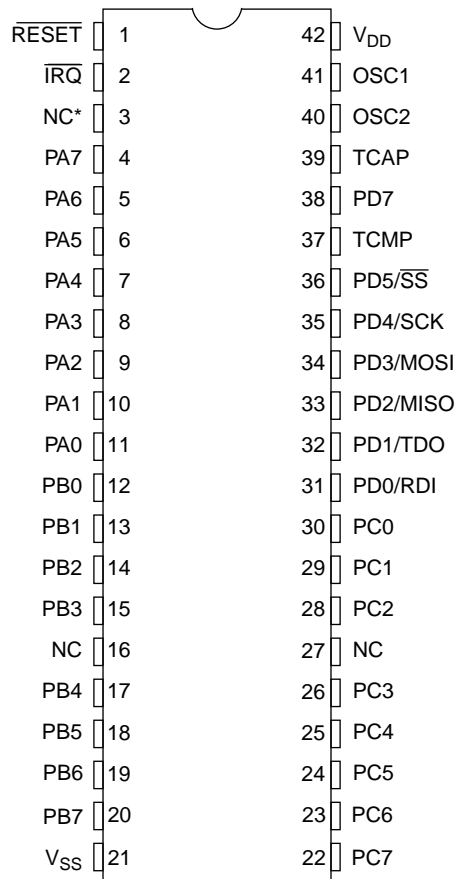
**NOTE:** *A line over a signal name indicates an active low signal. For example, RESET is active high and  $\overline{\text{RESET}}$  is active low. Any reference to voltage, current, resistance, capacitance, time, or frequency specified in the following paragraphs will refer to the nominal values. The exact values and their tolerance or limits are specified in [Section 13. Electrical Specifications](#).*



\* If MC68HC705C4A OTPs are to be used in the same application, this pin should be tied to V<sub>DD</sub>.

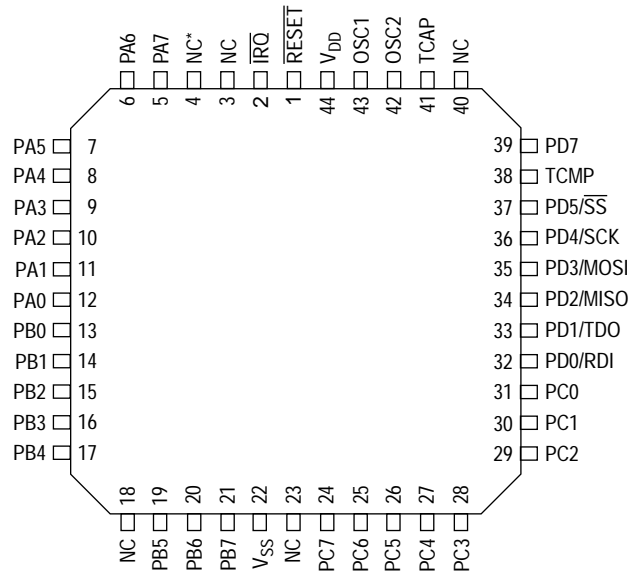
**Figure 1-2. 40-Pin Dual In-Line Package**

# General Description



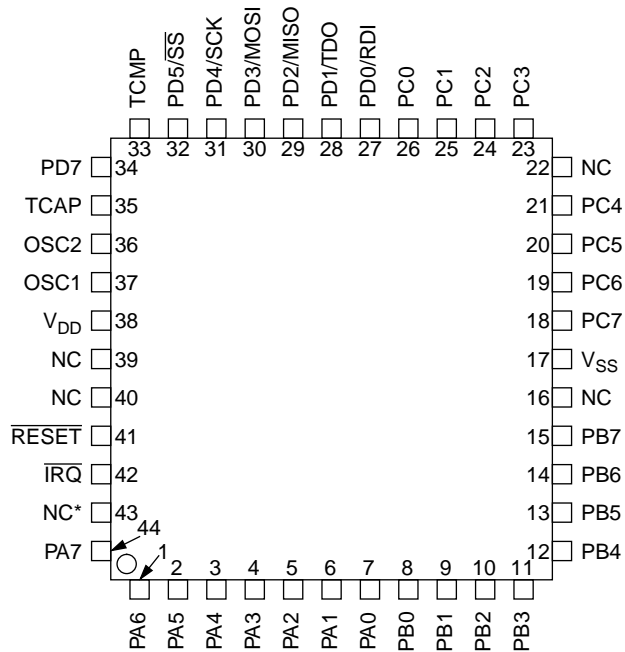
\* If MC68HC705C4A OTPs are to be used in the same application, this pin should be tied to V<sub>DD</sub>.

**Figure 1-3. 42-Pin Plastic Shrink Dual In-Line Package**



\* If MC68HC705C4A OTPs are to be used in the same application, this pin should be tied to  $V_{DD}$ .

**Figure 1-4. 44-Lead Plastic Leaded Chip Carrier**



\* If MC68HC705C4A OTPs are to be used in the same application, this pin should be tied to  $V_{DD}$ .

**Figure 1-5. 44-Lead Quad Flat Pack**

### 1.5.1 $V_{DD}$ and $V_{SS}$

Power is supplied to the microcontroller using these two pins.  $V_{DD}$  is the positive supply and  $V_{SS}$  is ground.

### 1.5.2 $\overline{IRQ}$

This pin has a mask selectable option that provides two different choices of interrupt triggering sensitivity. The  $\overline{IRQ}$  pin contains an internal Schmitt trigger as part of its input to improve noise immunity. Refer to [Section 4. Interrupts](#) for more detail.

### 1.5.3 OSC1 and OSC2

These pins provide control input for an on-chip clock oscillator circuit. A crystal, a ceramic resonator, a resistor/capacitor combination, or an external signal connects to these pins, providing a system clock. The internal bus rate is one-half the external oscillator frequency.

### 1.5.4 $\overline{RESET}$

This active low pin is used to reset the MCU to a known startup state by pulling  $\overline{RESET}$  low. The  $\overline{RESET}$  pin contains an internal Schmitt trigger as part of its input to improve noise immunity.

### 1.5.5 TCAP

This pin controls the input capture feature for the on-chip programmable timer. The TCAP pin contains an internal Schmitt trigger as part of its input to improve noise immunity.

### 1.5.6 TCMP

The TCMP pin provides an output for the output compare feature of the on-chip timer subsystem.

### 1.5.7 Port A (PA0–PA7)

These eight input/output (I/O) lines comprise port A. The state of any pin is software programmable and all port A lines are configured as input during power-on or reset. For detailed information on I/O programming, see [7.7 Input/Output Programming](#).

### 1.5.8 Port B (PB0–PB7)

These eight I/O lines comprise port B. The state of any pin is software programmable, and all port B lines are configured as input during power-on or reset. Port B has mask option enabled pullup devices and interrupt capability by pin. The interrupts and pullups are enabled together. For a detailed description on I/O programming, refer to [7.7 Input/Output Programming](#).

### 1.5.9 Port C (PC0–PC7)

These eight I/O lines comprise port C. The state of any pin is software programmable and all port C lines are configured as input during power-on or reset. PC7 has high current sink and source capability. For a detailed description on I/O programming, refer to [7.7 Input/Output Programming](#).

### 1.5.10 Port D (PD0–PD5 and PD7)

These seven port lines comprise port D. PD7 and PD5–PD0 are input only. PD0 and PD1 are shared with the SCI subsystem and PD2–PD5 are shared with the SPI subsystem. For a detailed description on I/O programming, refer to [7.7 Input/Output Programming](#).





## Section 2. Memory

### 2.1 Contents

2.2	Introduction .....	25
2.3	Read-Only Memory (ROM).....	25
2.4	ROM Security Feature .....	26
2.5	Random-Access Memory (RAM).....	26

### 2.2 Introduction

The MC68HC05C4A has an 8-Kbyte memory map, consisting of user read-only memory (ROM), user random-access memory (RAM), self-check ROM, and input/output (I/O) registers. See [Figure 2-1](#) and [Figure 2-2](#).

### 2.3 Read-Only Memory (ROM)

The user ROM consists of 48 bytes of page zero ROM from \$0020 to \$004F, 4096 bytes of ROM from \$0100 to \$10FF, and 16 bytes of user vectors from \$1FF0 to \$1FFF. The self-check ROM and vectors are located from \$1F00 to \$1FEF. See [Figure 2-1](#).

Twelve of the user vectors, \$1FF4 through \$1FFF, are dedicated to user-defined reset and interrupt vectors. The remaining four bytes from \$1FF0-\$1FF3 are not used.

## 2.4 ROM Security Feature

A security<sup>1</sup> feature has been incorporated into the MC68HC05C4A to help prevent externally reading of code in the ROM. This feature aids in keeping customer-developed software proprietary.

## 2.5 Random-Access Memory (RAM)

The user RAM consists of 176 bytes and is used both for general-purpose RAM and stack area. The stack begins at address \$00FF. The stack pointer can access 64 bytes of RAM in the range \$00FF to \$00C0. See [Figure 2-1](#).

**NOTE:** *Using the stack area for data storage or temporary work locations requires care to prevent it from being overwritten due to stacking from an interrupt or subroutine call.*

---

1. No security feature is absolutely secure. However, Motorola's strategy is to make reading or copying the ROM difficult for unauthorized users.

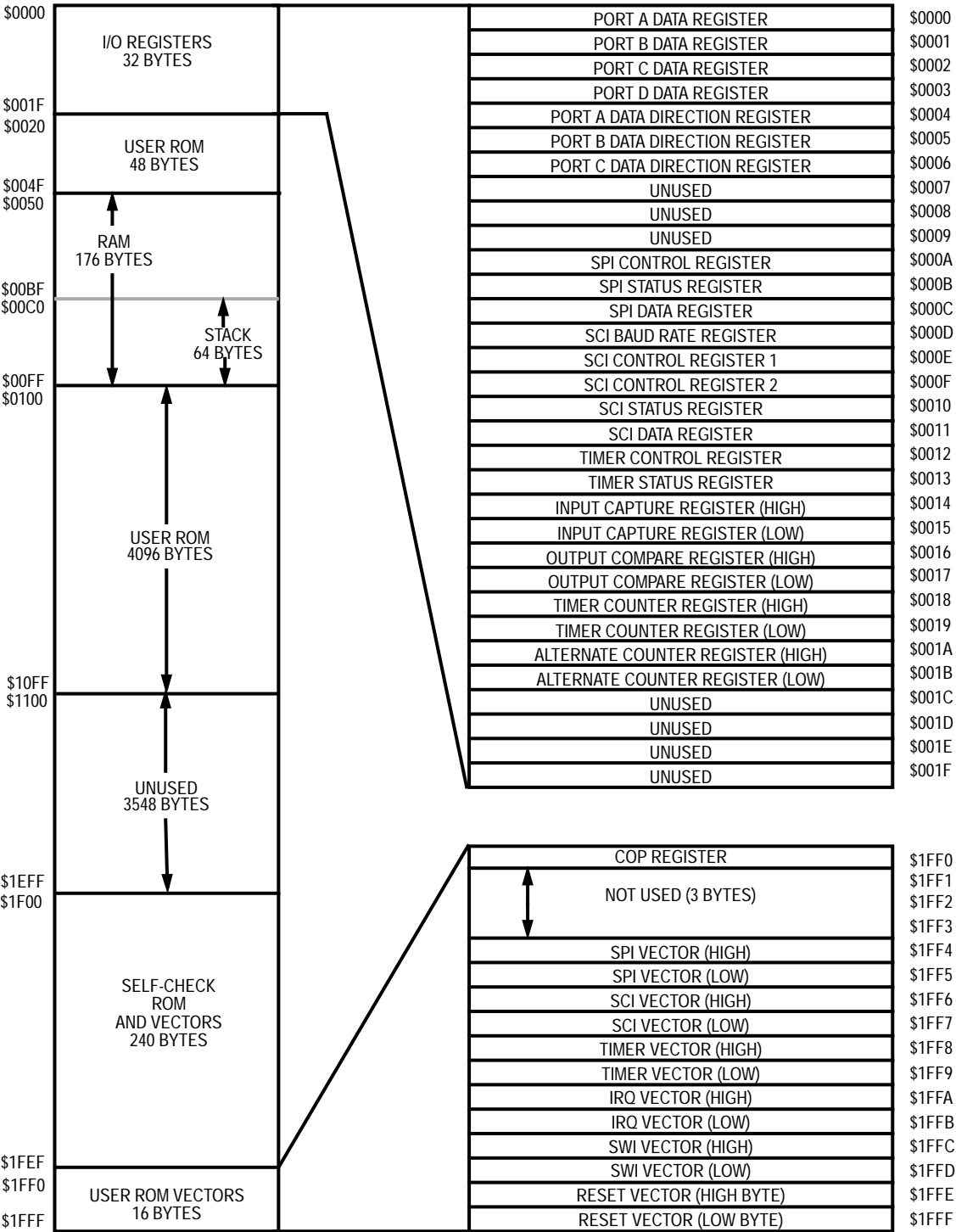



Figure 2-1. Memory Map

# Memory

Addr.	Register		Bit 7	6	5	4	3	2	1	Bit 0
\$0000	Port A Data PORTA	Read:	PA7	PA6	PA5	PA4	PA3	PA2	PA1	PA0
		Write:								
\$0001	Port B Data PORTB	Read:	PB7	PB6	PB5	PB4	PB3	PB2	PB1	PB0
		Write:								
\$0002	Port C Data PORTD	Read:	PC7	PC6	PC5	PC4	PC3	PC2	PC1	PC0
		Write:								
\$0003	Port D Data PORTD	Read:	PD7		PD5	PD4	PD3	PD2	PD1	PD0
		Write:								
\$0004	Port A Data Direction DDRA	Read:	DDRA7	DDRA6	DDRA5	DDRA4	DDRA3	DDRA2	DDRA1	DDRA0
		Write:								
\$0005	Port B Data Direction DDRB	Read:	DDRB7	DDRB6	DDRB5	DDRB4	DDRB3	DDRB2	DDRB1	DDRB0
		Write:								
\$0006	Port C Data Direction DDRC	Read:	DDRC7	DDRC6	DDRC5	DDRC4	DDRC3	DDRC2	DDRC1	DDRC0
		Write:								
\$0007	Unimplemented	Read:								
		Write:								
\$0008	Unimplemented	Read:								
		Write:								
\$0009	Unimplemented	Read:								
		Write:								
\$000A	SPI Control Register SPCR	Read:	SPIE	SPE		MSTR	CPOL	CPHA	SPR1	SPR0
		Write:								
\$000B	SPI Status Register SPSR	Read:	SPIF	WCOL	0	MODF	0	0	0	0
		Write:								
\$000C	SPI Data Register SPDR	Read:	SPD7	SPD6	SPD5	SPD4	SPD3	SPD2	SPD1	SPD0
		Write:								

 = Unimplemented

**Figure 2-2. Input/Output Registers**

Addr.	Register		Bit 7	6	5	4	3	2	1	Bit 0
\$000D	SCI Baud Rate Register BAUD	Read:	0	0	SCP1	SCP0	0	SCR2	SCR1	SCR0
		Write:								
\$000E	SCI Control 1 SCCR1	Read:	R8	T8	0	M	WAKE	0	0	0
		Write:								
\$000F	SCI Control 2 SCCR2	Read:	TIE	TCIE	RIE	ILIE	TE	RE	RMW	SBK
		Write:								
\$0010	SCI Status Register SCSR	Read:	TDRE	TC	RDRF	IDLE	OR	NF	FE	0
		Write:								
\$0011	SCI Data Register SCDAT	Read:	SCD7	SCD6	SCD5	SCD4	SCD3	SCD2	SCD1	SCD0
		Write:								
\$0012	Timer Control Register TCR	Read:	ICIE	OCIE	TOIE	0	0	0	IEDGE	OLVL
		Write:								
\$0013	Timer Status Register TSR	Read:	ICF	OCF	TOF	0	0	0	0	0
		Write:								
\$0014	Input Capture Register ICR (High)	Read:	Bit 15	Bit 14	Bit 13	Bit 12	Bit 11	Bit 10	Bit 9	Bit 8
		Write:								
\$0015	Input Capture Register ICR (Low)	Read:	Bit 7	Bit 6	Bit 5	Bit 4	Bit 3	Bit 2	Bit 1	Bit 0
		Write:								
\$0016	Output Compare Register OCR (High)	Read:	Bit 15	Bit 14	Bit 13	Bit 12	Bit 11	Bit 10	Bit 9	Bit 8
		Write:								
\$0017	Output Compare Register OCR (Low)	Read:	Bit 7	Bit 6	Bit 5	Bit 4	Bit 3	Bit 2	Bit 1	Bit 0
		Write:								
\$0018	Timer Counter Register TCNT (High)	Read:	Bit 15	Bit 14	Bit 13	Bit 12	Bit 11	Bit 10	Bit 9	Bit 8
		Write:								
\$0019	Timer Counter Register TCNT (Low)	Read:	Bit 7	Bit 6	Bit 5	Bit 4	Bit 3	Bit 2	Bit 1	Bit 0
		Write:								

= Unimplemented

**Figure 2-2. Input/Output Registers (Continued)**

# Memory

Addr.	Register		Bit 7	6	5	4	3	2	1	Bit 0
\$001A	Alternate Counter Register ALTCNT (High)	Read:	Bit 15	Bit 14	Bit 13	Bit 12	Bit 11	Bit 10	Bit 9	Bit 8
		Write:								
\$001B	Alternate Counter Register ALTCNT (Low)	Read:	Bit 7	Bit 6	Bit 5	Bit 4	Bit 3	Bit 2	Bit 1	Bit 0
		Write:								
\$001C	Unimplemented	Read:								
		Write:								
\$001D	Unimplemented	Read:								
		Write:								
\$001E	Unimplemented	Read:								
		Write:								
\$001F	Reserved	Read:	R	R	R	R	R	R	R	R
		Write:								
↓			↓						↓	
\$1FF0	COP Reset	Read:	User ROM Data							
		Write:								

= Unimplemented
 R = Reserved

**Figure 2-2. Input/Output Registers (Continued)**

## Section 3. Central Processor Unit (CPU)

### 3.1 Contents

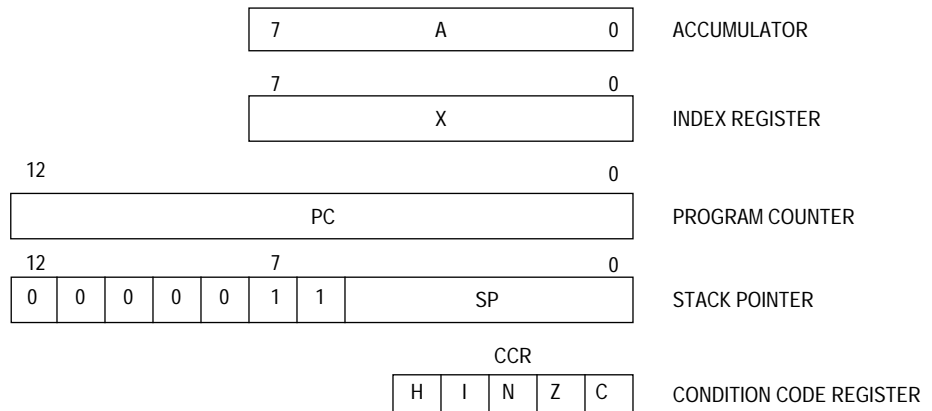
3.2	Introduction .....	31
3.3	CPU Registers .....	31
3.3.1	Accumulator .....	32
3.3.2	Index Register .....	32
3.3.3	Program Counter .....	33
3.3.4	Stack Pointer .....	33
3.3.5	Condition Code Register .....	33

### 3.2 Introduction

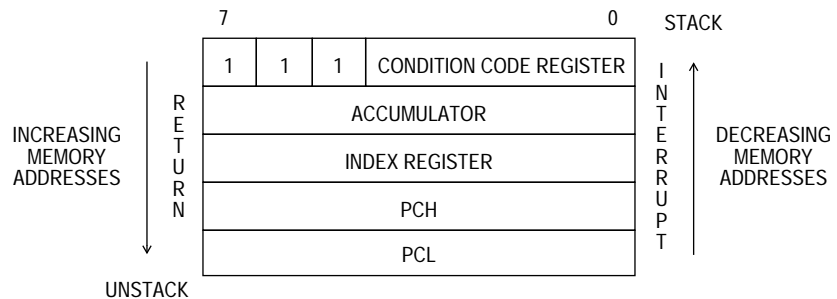
This section describes the CPU registers.

### 3.3 CPU Registers

The five CPU registers are shown in [Figure 3-1](#) and the interrupt stacking order is shown in [Figure 3-2](#).



**Figure 3-1. Programming Model**



NOTE: Since the stack pointer decrements during pushes, the PCL is stacked first, followed by PCH, etc. Pulling from the stack is in the reverse order.

**Figure 3-2. Stacking Order**

### 3.3.1 Accumulator

The accumulator (A) shown in [Figure 3-1](#) is a general-purpose 8-bit register used to hold operands and results of arithmetic calculations or data manipulations.

### 3.3.2 Index Register

The index register (X) is an 8-bit register used by the indexed addressing value to create an effective address. The index register also may be used as a temporary storage area.



### 3.3.3 Program Counter

The program counter (PC) is a 13-bit register that contains the address of the next byte to be fetched.

### 3.3.4 Stack Pointer

The stack pointer (SP) contains the address of the next free location on the stack. During an MCU reset or the reset stack pointer (RSP) instruction, the stack pointer is set to location \$00FF. The stack pointer is then decremented as data is pushed onto the stack and incremented as data is pulled from the stack.

When accessing memory, the seven most significant bits (MSB) are permanently set to 0000011. These eight bits are appended to the six least significant register bits (LSB) to produce an address within the range of \$00FF to \$00C0. Subroutines and interrupts may use up to 64 (decimal) locations. If 64 locations are exceeded, the stack pointer wraps around and loses the previously stored information. A subroutine call occupies two locations on the stack; an interrupt uses five locations.

### 3.3.5 Condition Code Register

The condition code register (CCR) is a 5-bit register in which four bits are used to indicate the results of the instruction just executed, and the fifth bit indicates whether interrupts are masked. These bits can be tested individually by a program, and specific actions can be taken as a result of their state. Each bit is explained in the following paragraphs.

#### H — Half Carry

This bit is set during ADD and ADC operations to indicate that a carry occurred between bits 3 and 4.

#### I — Interrupt

When this bit is set, the timer and external interrupt are masked (disabled). If an interrupt occurs while this bit is set, the interrupt is latched and processed as soon as the interrupt bit is cleared.

### N — Negative

When set, this bit indicates that the result of the last arithmetic, logical, or data manipulation was negative.

### Z — Zero

When set, this bit indicates that the result of the last arithmetic, logical, or data manipulation was zero.

### C — Carry/Borrow

When set, this bit indicates that a carry or borrow out of the arithmetic logical unit (ALU) occurred during the last arithmetic operation. This bit also is affected during bit test and branch instructions and during shifts and rotates.

## Section 4. Interrupts

### 4.1 Contents

4.2	Introduction .....	35
4.3	Hardware Controlled Interrupt Sequence .....	37
4.4	Software Interrupt (SWI) .....	37
4.5	External Interrupt (IRQ) .....	39
4.6	Timer Interrupt .....	39
4.7	Serial Communications Interrupt (SCI) .....	39
4.8	Serial Peripheral Interrupt (SPI).....	40

### 4.2 Introduction

The MCU can be interrupted five different ways:

- Four maskable hardware interrupts, IRQ (interrupt request), SPI (serial peripheral interface), SCI (serial communications interface), and timer
- Non-maskable software interrupt instruction (SWI)

Port B interrupts, if enabled, are combined with the IRQ to form a single interrupt source.

Interrupts cause the processor to save register contents on the stack and to set the interrupt mask (I bit) to prevent additional interrupts. The RTI (return to interrupt) instruction causes the register contents to be recovered from the stack and normal processing to resume.

Unlike reset, hardware interrupts do not cause the current instruction execution to be halted, but they are considered pending until the current instruction is complete.

**NOTE:** *The current instruction is the one already fetched and being operated on.*

When the current instruction is complete, the processor checks all pending hardware interrupts. If interrupts are not masked (CCR I bit clear) and if the corresponding interrupt enable bit is set, the processor proceeds with interrupt processing; otherwise, the next instruction is fetched and executed.

If both an external interrupt and a timer interrupt are pending at the end of an instruction execution, the external interrupt is serviced first. The SWI is executed the same as any other instruction, regardless of the I-bit state.

Vector addresses for all interrupts, including reset, are listed in [Table 4-1](#).

**Table 4-1. Vector Addresses for Interrupts and Reset**

Register	Flag Name	Interrupts	CPU Interrupt	Vector Address
N/A	N/A	Reset	RESET	\$1FFE–\$1FFF
N/A	N/A	Software	SWI	\$1FFC–\$1FFD
N/A	N/A	External Interrupt	IRQ	\$1FFA–\$1FFB
TSR	ICF	Timer Input Capture	TIMER	\$1FF8–\$1FF9
TSR	OCF	Timer Output Compare	TIMER	\$1FF8–\$1FF9
TSR	TOF	Timer Overflow	TIMER	\$1FF8–\$1FF9
SCSR	TDRE	Transmit Buffer Empty	SCI	\$1FF6–\$1FF7
SCSR	TC	Transmit Complete	SCI	\$1FF6–\$1FF7
SCSR	RDRF	Receiver Buffer Full	SCI	\$1FF6–\$1FF7
SCSR	IDLE	Idle Line Detect	SCI	\$1FF6–\$1FF7
SCSR	OR	Overrun	SCI	\$1FF6–\$1FF7
SPSR	SPIF	Transfer Complete	SPI	\$1FF4–\$1FF5
SPSR	MODF	Mode Fault	SPI	\$1FF4–\$1FF5

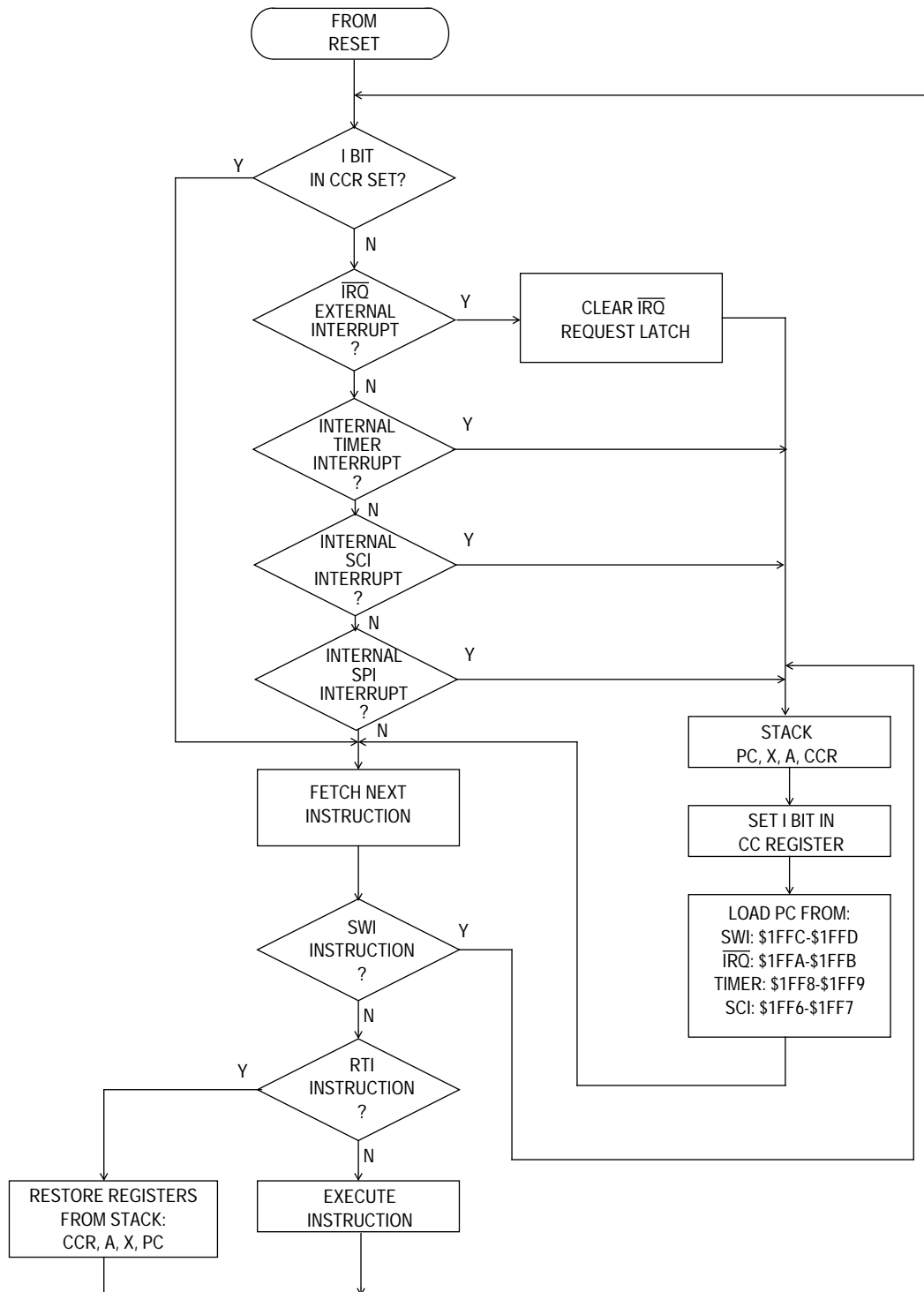
### 4.3 Hardware Controlled Interrupt Sequence

Three functions (RESET, STOP, and WAIT) are not in the strictest sense interrupts; however, they are acted upon in a similar manner. Flowcharts for hardware interrupts are shown in [Figure 4-1](#).

1. RESET — A low input on the  $\overline{\text{RESET}}$  input pin causes the program to vector to its starting address, which is specified by the contents of memory locations \$1FFE and \$1FFF. The I bit in the condition code register is also set. Much of the MCU is configured to a known state during this type of reset, as previously described in [Section 5. Resets](#).
2. STOP — The STOP instruction causes the oscillator to be turned off and the processor to “sleep” until an external interrupt (IRQ) or reset occurs.
3. WAIT — The WAIT instruction causes all processor clocks to stop, but leaves the timer clock running. This “rest” state of the processor can be cleared by reset, an external interrupt ( $\overline{\text{IRQ}}$ ), serial peripheral interface, serial communications interface, or timer interrupt. These individual interrupts have no special wait vectors.

### 4.4 Software Interrupt (SWI)

The software interrupt (SWI) is an executable instruction and a non-maskable interrupt. It is executed regardless of the state of the I bit in the CCR. If the I bit is 0 (interrupts enabled), SWI executes after interrupts which were pending when the SWI was fetched but before interrupts generated after the SWI was fetched. The interrupt service routine address is specified by the contents of memory locations \$1FFC and \$1FFD.



**Figure 4-1. Interrupt Flowchart**

## 4.5 External Interrupt (IRQ)

If the interrupt mask bit (I bit) of the CCR is set, all maskable interrupts (internal and external) are disabled. Clearing the I bit enables interrupts. The interrupt request is latched immediately following the falling edge of  $\overline{\text{IRQ}}$ . It is then synchronized internally and serviced as specified by the contents of \$1FFA and \$1FFB.

When any of the port B pullups are enabled, that pin becomes an additional external interrupt source which is coupled to the  $\overline{\text{IRQ}}$  pin logic. It follows the same edge/edge-level selection that the  $\overline{\text{IRQ}}$  pin has. See [Figure 7-1. Port B Pullup Option](#).

Either a level-sensitive and edge-sensitive trigger, or an edge-sensitive-only trigger operation is selectable by mask option.

**NOTE:** *The internal interrupt latch is cleared in the first part of the interrupt service routine; therefore, one external interrupt pulse could be latched and serviced as soon as the I bit is cleared.*

## 4.6 Timer Interrupt

Three different timer interrupt flags cause a timer interrupt whenever they are set and enabled. The interrupt flags are in the timer status register (TSR), and the enable bits are in the timer control register (TCR). Any of these interrupts will vector to the same interrupt service routine, located at the address specified by the contents of memory locations \$1FF8 and \$1FF9.

## 4.7 Serial Communications Interrupt (SCI)

Five different SCI interrupt flags cause an SCI interrupt whenever they are set and enabled. The interrupt flags are in the SCI status register (SCSR), and the enable bits are in the SCI control register 2 (SCCR2). Any of these interrupts will vector to the same interrupt service routine, located at the address specified by the contents of memory locations \$1FF6 and \$1FF7.

## 4.8 Serial Peripheral Interrupt (SPI)

Two different SPI interrupt flags cause an SPI interrupt whenever they are set and enabled. The interrupt flags are in the SPI status register (SPSR), and the enable bits are in the SPI control register (SPCR). Either of these interrupts will vector to the same interrupt service routine, located at the address specified by the contents of memory locations \$1FF4 and \$1FF5.



## Section 5. Resets

### 5.1 Contents

5.2	Introduction .....	41
5.3	Power-On Reset (POR) .....	42
5.4	$\overline{\text{RESET}}$ Pin.....	42
5.5	Computer Operating Properly (COP) Reset .....	42
5.5.1	Resetting the COP .....	42
5.5.2	COP During Wait Mode.....	43
5.5.3	COP During Stop Mode.....	43
5.5.4	COP During Self-Check Mode .....	43

### 5.2 Introduction

The MCU can be reset three ways:

1. Initial power-on reset function
2. Active low input to the  $\overline{\text{RESET}}$  pin
3. Computer operating properly (COP) reset

## 5.3 Power-On Reset (POR)

An internal reset is generated on power-up to allow the internal clock generator to stabilize. The power-on reset is strictly for power turn-on conditions and should not be used to detect a drop in the power supply voltage. There is a 4064 internal processor clock cycle ( $t_{cyc}$ ) oscillator stabilization delay after the oscillator becomes active. If the  $\overline{RESET}$  pin is low after the end of this 4064-cycle delay, the MCU will remain in the reset condition until  $\overline{RESET}$  goes high.

For additional information, refer to [Figure 13-8. Power-On Reset Timing Diagram](#).

## 5.4 $\overline{RESET}$ Pin

The MCU is reset when a logic 0 is applied to the  $\overline{RESET}$  input for a period of one and one-half machine cycles ( $t_{RL}$ ).

## 5.5 Computer Operating Properly (COP) Reset

This device includes a watchdog COP feature as a mask option. The COP is implemented with an 18-bit ripple counter. This provides a timeout period of 64 milliseconds at a bus rate of 2 MHz. If the COP should time out, a system reset will occur and the device will be re-initialized in the same fashion as a POR or external reset.

### 5.5.1 Resetting the COP

Preventing a COP reset is done by writing a logic 0 to the COPC bit. This action will reset the counter and begin the timeout period again. The COPC bit is bit 0 of address \$1FF0. A read of address \$1FF0 will result in the user defined ROM data at that location.

### 5.5.2 COP During Wait Mode

The COP will continue to operate normally during wait mode. The software should pull the device out of wait mode periodically and reset the COP by writing to the COPC bit to prevent a COP reset.

### 5.5.3 COP During Stop Mode

Stop mode disables the oscillator circuit and thereby turns the clock off for the entire device. The COP counter will be reset when stop mode is entered. If a reset is used to exit stop mode, the COP counter will be reset after the 4064 cycles of delay after stop mode. If an interrupt is used to exit stop mode, the COP counter will not be reset after the 4064-cycle delay and will have that many cycles already counted when control is returned to the program.

### 5.5.4 COP During Self-Check Mode

The COP is disabled by hardware during self-check mode.



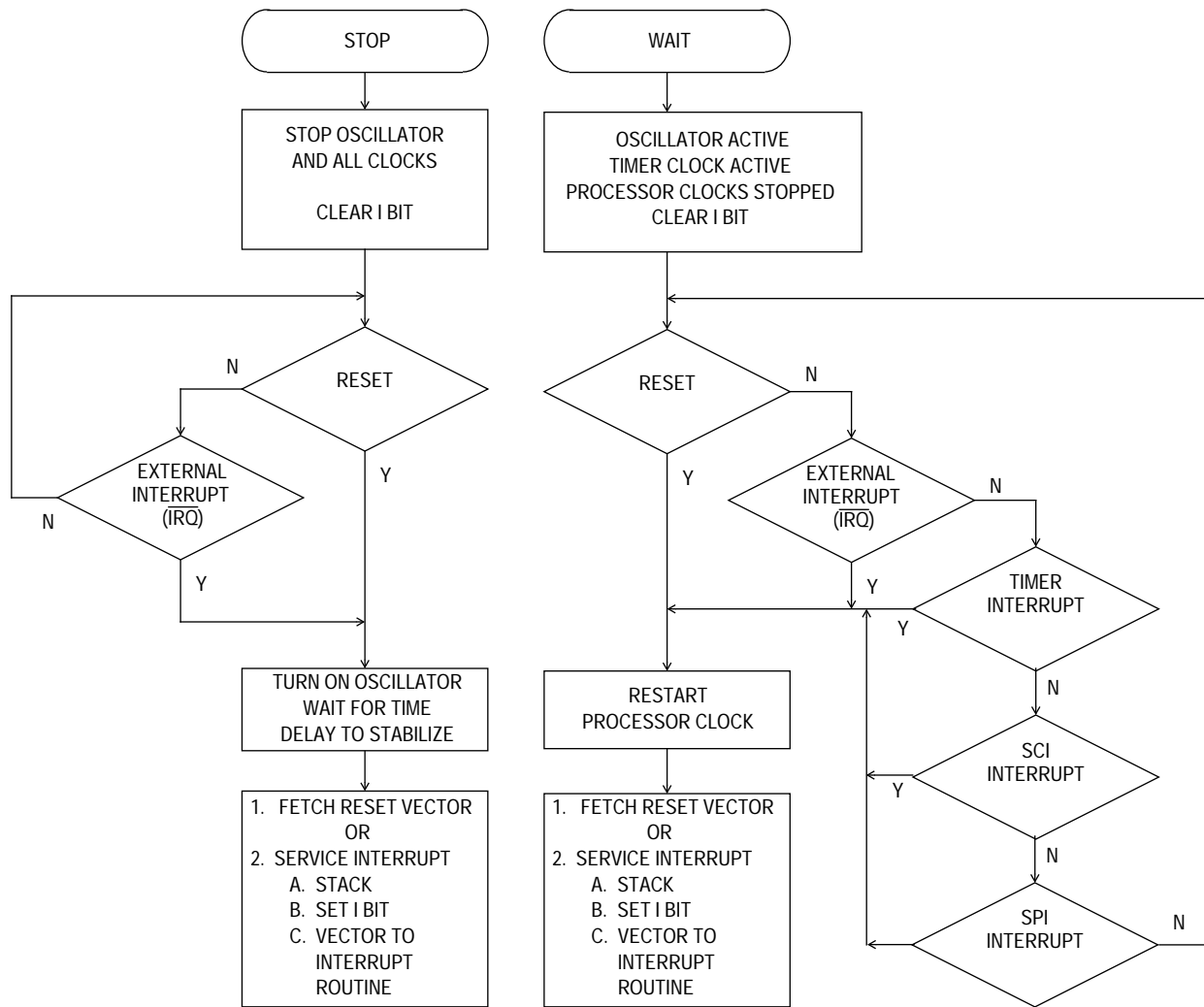
## Section 6. Low-Power Modes

### 6.1 Contents

6.2	Introduction .....	45
6.3	Stop Mode .....	46
6.4	Stop Recovery .....	47
6.5	Wait Mode.....	47

### 6.2 Introduction

This section describes the two low-power modes — stop and wait. [Figure 6-1](#) shows the sequence of events caused by the STOP and WAIT instructions.



**Figure 6-1. Stop/Wait Mode Flowchart**

## 6.3 Stop Mode

The STOP instruction places the MCU in its lowest-power consumption mode. In stop mode, the internal oscillator is turned off, halting all internal processing, including timer operation.

During stop mode, the TCR bits are altered to remove any pending timer interrupt request and to disable any further timer interrupts. The timer prescaler is cleared. The I bit in the condition code register is cleared to enable external interrupts. All other registers and memory remain

unaltered. All input/output lines remain unchanged. The processor can be brought out of stop mode only by an external interrupt or reset.

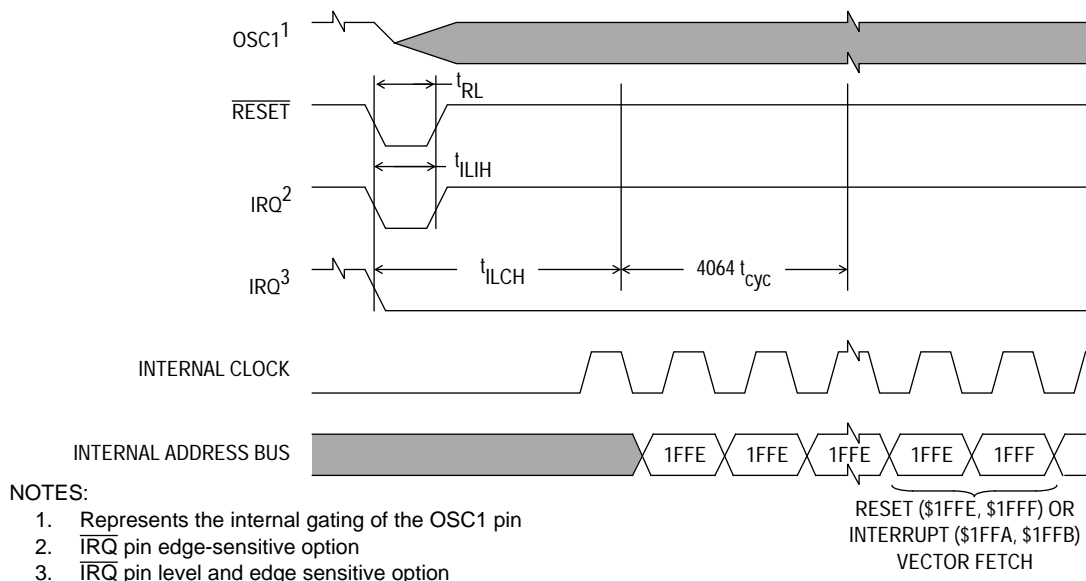
## 6.4 Stop Recovery

The processor can be brought out of stop mode only by an external interrupt or reset. See [Figure 6-2](#).

## 6.5 Wait Mode

The WAIT instruction places the MCU in a low-power consumption mode, but the wait mode consumes more power than the stop mode. All CPU action is suspended, but the timer, SCI, SPI, and the oscillator remain active. Any interrupt or reset will cause the MCU to exit wait mode.

During wait mode, the I bit in the CCR is cleared to enable interrupts. All other registers, memory, and input/output lines remain in their previous state. The timer may be enabled to allow a periodic exit from wait mode.



**Figure 6-2. Stop Recovery Timing Diagram**





## Section 7. Input/Output (I/O) Ports

### 7.1 Contents

7.2	Introduction .....	49
7.3	Port A.....	49
7.4	Port B.....	50
7.5	Port C.....	50
7.6	Port D.....	51
7.7	Input/Output Programming .....	51

### 7.2 Introduction

The MC68HC05C4A has three 8-bit input/output (I/O) ports. These 24 port pins are programmable as either inputs or outputs under software control of the data direction registers. Port D does not have a data direction register, and its seven pins are input only with the exception of certain SCI/SPI functions.

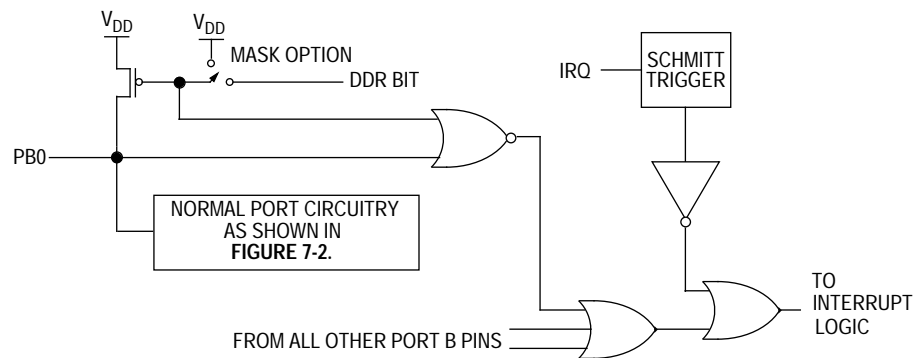
**NOTE:** *To avoid a glitch on the output pins, write data to the I/O port data register before writing a 1 to the corresponding data direction register.*

### 7.3 Port A

Port A is an 8-bit bidirectional port which does not share any of its pins with other subsystems. The port A data register is at \$0000 and the data direction register (DDR) is at \$0004. Reset does not affect the data registers, but clears the data direction registers, thereby returning the ports to inputs. Writing a 1 to a DDR bit sets the corresponding port bit to output mode.

## 7.4 Port B

Port B is an 8-bit bidirectional port. The port B data register is at \$0001, and the data direction register (DDR) is at \$0005. Reset does not affect the data registers, but clears the data direction registers, thereby returning the ports to inputs. Writing a 1 to a DDR bit sets the corresponding port pin to output mode. Each of the port B pins has a mask programmable interrupt capability. This interrupt option also enables a pullup device when the pin is configured as an input (see Figure 7-1). The edge or edge and level sensitivity of the  $\overline{\text{IRQ}}$  pin also will pertain to the enabled port B pins via mask options. Be careful when using port B pins that have the pullup enabled. Before switching from an output to an input, the data should be preconditioned to a 1 to prevent an interrupt from occurring.



**Figure 7-1. Port B Pullup Option**

## 7.5 Port C

Port C is an 8-bit bidirectional port. The port C data register is at \$0002 and the data direction register (DDR) is at \$0006. Reset does not affect the data registers, but clears the data direction registers, thereby returning the ports to inputs. Writing a 1 to a DDR bit sets the corresponding port bit to output mode. PC7 has a high current sink and source capability.

## 7.6 Port D

Port D is a 7-bit fixed input port. Four of its pins are shared with the SPI subsystem, and two more are shared with the SCI subsystem. Reset does not affect the data registers. During reset, all seven bits become valid input ports because all special function output drivers associated with the SCI, timer, and SPI subsystems are disabled.

## 7.7 Input/Output Programming

I/O port pins may be programmed as inputs or outputs under software control. The direction of the pins is determined by the state of the corresponding bit in the port data direction register (DDR). Each I/O port has an associated DDR. Any I/O port pin is configured as an output if its corresponding DDR bit is set to a logic 1. A pin is configured as an input if its corresponding DDR bit is cleared to a logic 0.

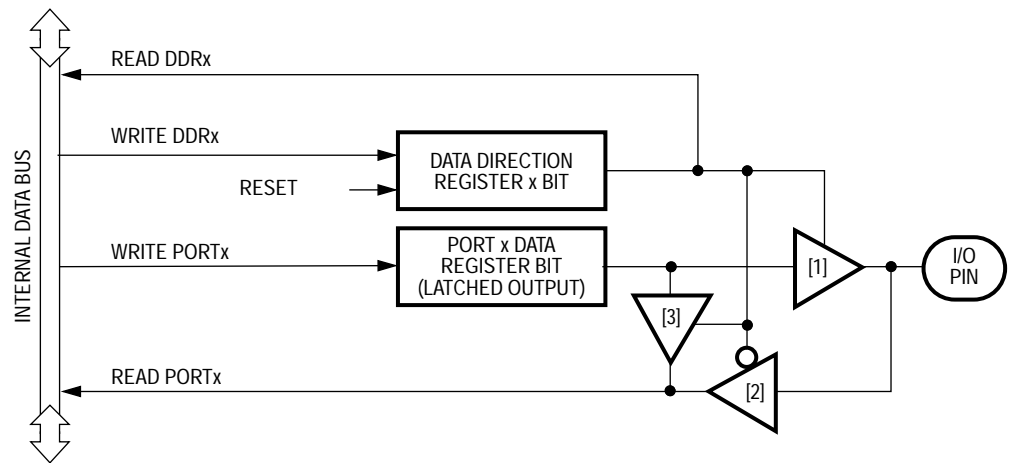
At power-on or reset, all DDRs are cleared, which configures all I/O pins as inputs. The data direction registers are capable of being written to or read by the processor. During the programmed output state, a read of the data register actually reads the value of the output data latch and not the I/O pin. For further information, refer to [Table 7-1](#) and [Figure 7-2](#).

**Table 7-1. I/O Pin Functions**

R/ $\overline{W}$ *	DDR	I/O Pin Function
0	0	The I/O pin is in input mode. Data is written into the output data latch.
0	1	Data is written into the output data latch and output to the I/O pin.
1	0	The state of the I/O pin is read.
1	1	The I/O pin is in an output mode. The output data latch is read.

\*R/ $\overline{W}$  is an internal signal.

# Input/Output (I/O) Ports



- [1] This output buffer enables the latched output to drive the pin when DDR bit is 1 (output mode).
- [2] This input buffer is enabled when DDR bit is 0 (input mode).
- [3] This input buffer is enabled when DDR bit is 1 (output mode).

**Figure 7-2. I/O Circuitry**

## Section 8. Timer

### 8.1 Contents

8.2	Introduction .....	53
8.3	Counter .....	55
8.4	Output Compare Register .....	56
8.5	Input Capture Register .....	57
8.6	Timer Control Register .....	58
8.7	Timer Status Register .....	60
8.8	Timer During Wait Mode .....	61
8.9	Timer During Stop Mode .....	61

### 8.2 Introduction

The timer consists of a 16-bit, software-programmable counter driven by a fixed divide-by-four prescaler. This timer can be used for many purposes, including input waveform measurements while simultaneously generating an output waveform. Pulse widths can vary from several microseconds to many seconds. Refer to [Figure 8-1](#) for a timer block diagram.

Because the timer has a 16-bit architecture, each specific functional segment (capability) is represented by two registers. These registers contain the high and low byte of that functional segment. Generally, accessing the low byte of a specific timer function allows full control of that function; however, an access of the high byte inhibits that specific timer function until the low byte is also accessed.

**NOTE:** *The I bit in the condition code register should be set while manipulating both the high and low byte register of a specific timer function to ensure that an interrupt does not occur.*

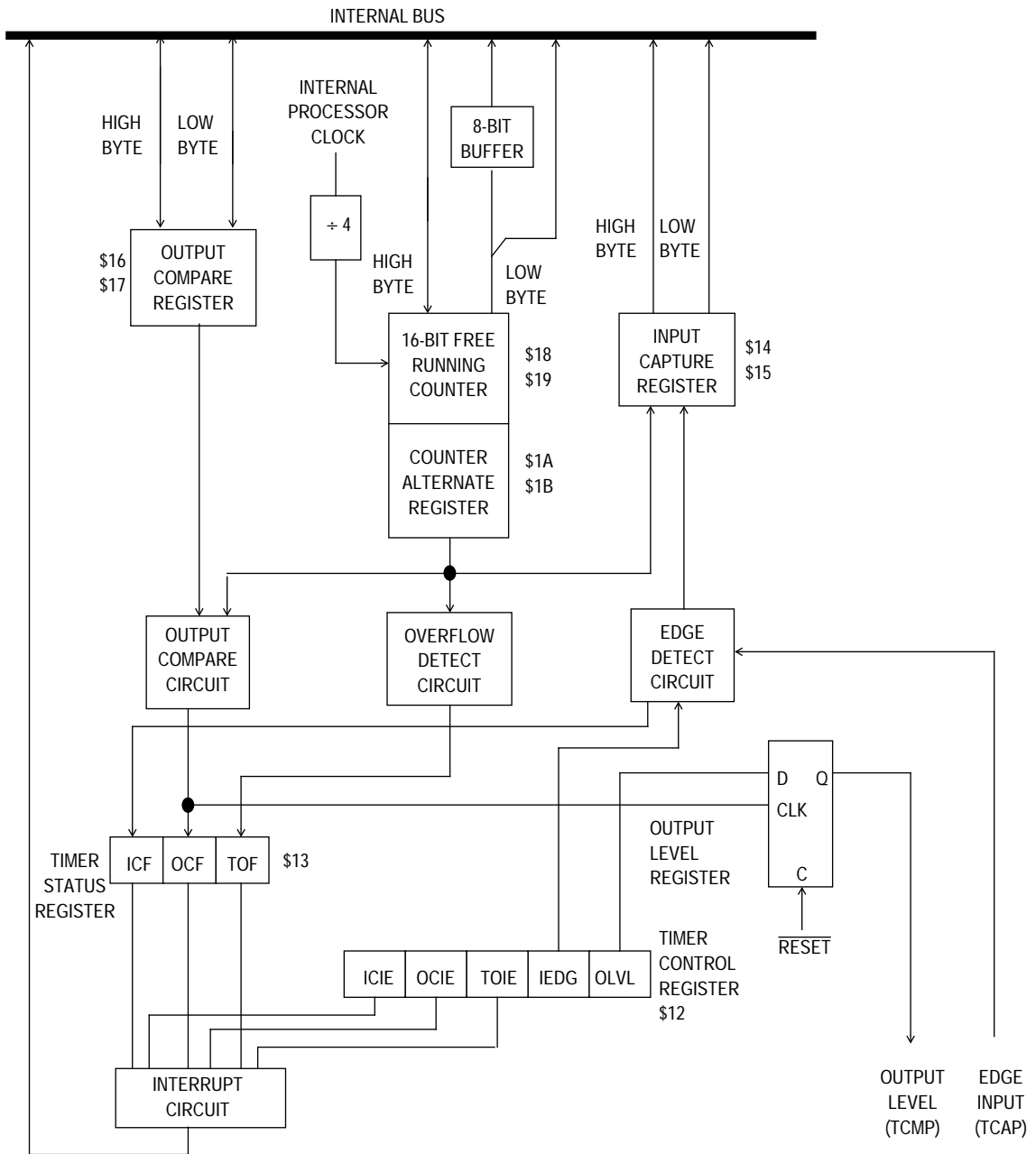


Figure 8-1. Timer Block Diagram

## 8.3 Counter

The key element in the programmable timer is a 16-bit, free-running counter or counter register, preceded by a prescaler that divides the internal processor clock by four. The prescaler gives the timer a resolution of 2.0 microseconds if the internal bus clock is 2.0 MHz. The counter is incremented during the low portion of the internal bus clock. Software can read the counter at any time without affecting its value.

The double-byte, free-running counter can be read from either of two locations, \$18, \$19 (counter register) or \$1A, \$1B (counter alternate register). A read from only the least significant byte (LSB) of the free-running counter (\$19, \$1B) receives the count value at the time of the read. If a read of the free-running counter or counter alternate register first addresses the most significant byte (MSB) (\$18, \$1A), the LSB (\$19, \$1B) is transferred to a buffer. This buffer value remains fixed after the first MSB read, even if the user reads the MSB several times. This buffer is accessed when reading the free-running counter or counter alternate register LSB (\$19 or \$1B) and, thus, completes a read sequence of the total counter value. In reading either the free-running counter or counter alternate register, if the MSB is read, the LSB also must be read to complete the sequence.

The counter alternate register differs from the counter register in one respect: A read of the counter register MSB can clear the timer overflow flag (TOF). Therefore, the counter alternate register can be read at any time without the possibility of missing timer overflow interrupts due to clearing of the TOF.

The free-running counter is configured to \$FFFC during reset and is always a read-only register. During a power-on reset, the counter also is preset to \$FFFC and begins running after the oscillator startup delay. Because the free-running counter is 16 bits preceded by a fixed divide-by-four prescaler, the value in the free-running counter repeats every 262,144 internal bus clock cycles. When the counter rolls over from \$FFFF to \$0000, the TOF bit is set. An interrupt also can be enabled whenever counter rollover occurs by setting its interrupt enable bit (TOIE).

## 8.4 Output Compare Register

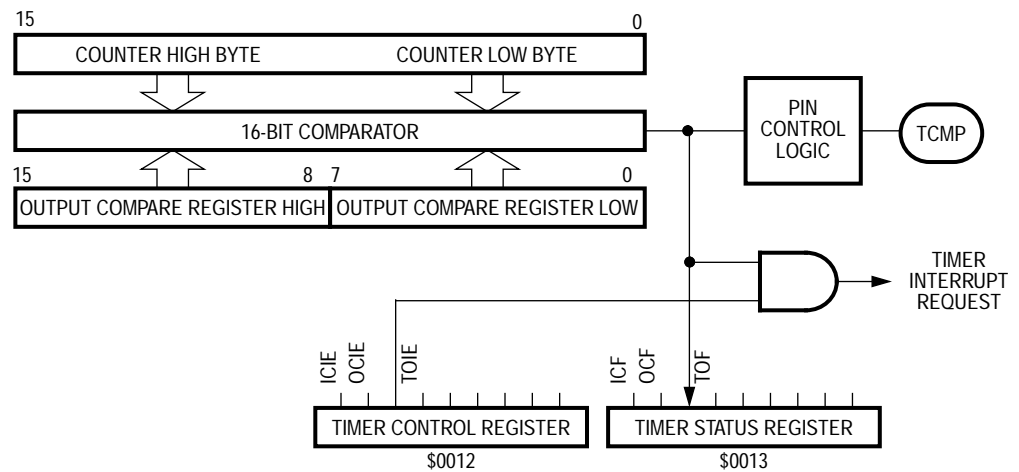
The 16-bit output compare register is made up of two 8-bit registers at locations \$16 (MSB) and \$17 (LSB). The output compare register is used for several purposes, such as indicating when a period of time has elapsed. All bits are readable and writable and are not altered by the timer hardware or reset. If the compare function is not needed, the two bytes of the output compare register can be used as storage locations.

The output compare register contents are compared with the contents of the free-running counter continually, and if a match is found, the corresponding output compare flag (OCF) bit is set and the corresponding output level (OLVL) bit is clocked to an output level register. The output compare register values and the output level bit should be changed after each successful comparison to establish a new elapsed timeout. An interrupt also can accompany a successful output compare, provided the corresponding interrupt enable bit (OCIE) is set.

After a processor write cycle to the output compare register containing the MSB (\$16), the output compare function is inhibited until the LSB (\$17) is written also. The user must write both bytes (locations) if the MSB is written first. A write made only to the LSB (\$17) will not inhibit the compare function. The free-running counter is updated every four internal bus clock cycles. The minimum time required to update the output compare register is a function of the program rather than the internal hardware.

The processor can write to either byte of the output compare register without affecting the other byte. The output level (OLVL) bit is clocked to the output level register regardless of whether the output compare flag (OCF) is set or clear. [Figure 8-2](#) shows the logic of the output compare function.





**Figure 8-2. Output Compare Operation**

## 8.5 Input Capture Register

Two 8-bit registers, which make up the 16-bit input capture register, are read-only and are used to latch the value of the free-running counter after the corresponding input capture edge detector senses a defined transition. The level transition which triggers the counter transfer is defined by the corresponding input edge bit (IEDG). Reset does not affect the contents of the input capture register except when exiting stop mode.

The result obtained by an input capture will be one more than the value of the free-running counter on the rising edge of the internal bus clock preceding the external transition. This delay is required for internal synchronization. Resolution is one count of the free-running counter, which is four internal bus clock cycles.

The free-running counter contents are transferred to the input capture register on each proper signal transition regardless of whether the input capture flag (ICF) is set or clear. The input capture register always contains the free-running counter value that corresponds to the most recent input capture.

After a read of the input capture register (\$14) MSB, the counter transfer is inhibited until the LSB (\$15) is also read. This characteristic causes

the time used in the input capture software routine and its interaction with the main program to determine the minimum pulse period.

A read of the input capture register LSB (\$15) does not inhibit the free-running counter transfer, since they occur on opposite edges of the internal bus clock. Figure 8-3 shows the logic of the input capture function.

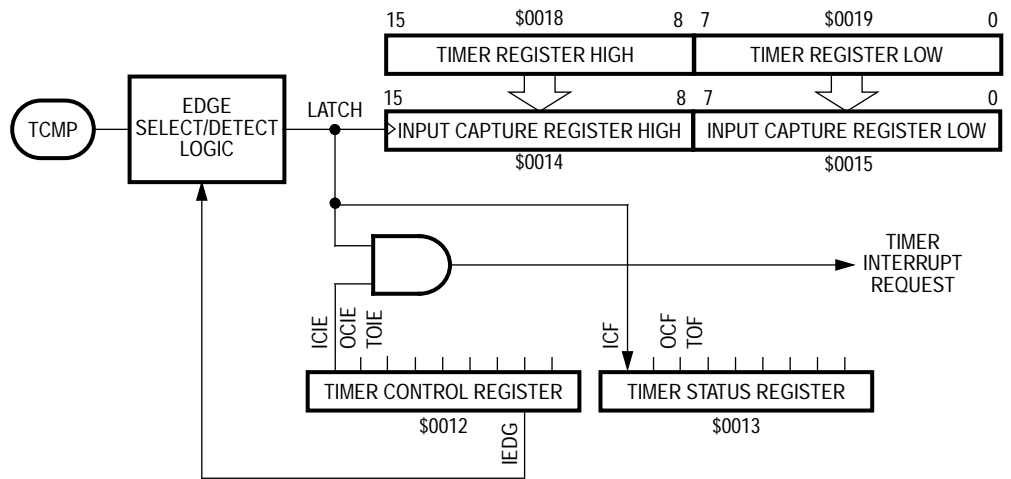


Figure 8-3. Input Capture Operation

### 8.6 Timer Control Register

The TCR is a read/write register containing five control bits. Three bits control interrupts associated with the timer status register flags ICF, OCF, and TOF.

Address: \$12

	Bit 7	6	5	4	3	2	1	Bit 0
Read:	ICIE	OCIE	TOIE	0	0	0	IEDG	OLVL
Write:	ICIE	OCIE	TOIE	0	0	0	IEDG	OLVL
Reset:	0	0	0	0	0	0	U	0

U = Unaffected

Figure 8-4. Timer Control Register (TCR)

ICIE — Input Capture Interrupt Enable

1 = Interrupt enabled

0 = Interrupt disabled

OCIE — Output Compare Interrupt Enable

1 = Interrupt enabled

0 = Interrupt disabled

TOIE — Timer Overflow Interrupt Enable

1 = Interrupt enabled

0 = Interrupt disabled

IEDG — Input Edge

Value of input edge determines which level transition on TCAP pin will trigger free-running counter transfer to the input capture register.

1 = Positive edge

0 = Negative edge

Reset does not affect the IEDG bit.

OLVL — Output Level

Value of output level is clocked into output level register by the next successful output compare and will appear on the TCMP pin.

1 = High output

0 = Low output

Bits 2, 3, and 4 — Not used

Always read 0

## 8.7 Timer Status Register

The TSR is a read-only register containing three status flag bits.

Address: \$13

	Bit 7	6	5	4	3	2	1	Bit 0
Read:	ICF	OCF	TOF	0	0	0	0	0
Write:								
Reset:	U	U	U	0	0	0	0	0

U = Unaffected

**Figure 8-5. Timer Status Register (TSR)**

### ICF — Input Capture Flag

1 = Flag set when selected polarity edge is sensed by input capture edge detector

0 = Flag cleared when TSR and input capture low register (\$15) are accessed

### OCF — Output Compare Flag

1 = Flag set when output compare register contents match the free-running counter contents

0 = Flag cleared when TSR and output compare low register (\$17) are accessed

### TOF — Timer Overflow Flag

1 = Flag set when free-running counter transition from \$FFFF to \$0000 occurs

0 = Flag cleared when TSR and counter low register (\$19) are accessed

### Bits 0–4 — Not used

Always read 0

Accessing the timer status register satisfies the first condition required to clear status bits. The remaining step is to access the register corresponding to the status bit.

A problem can occur when using the timer overflow function and reading the free-running counter at random times to measure an elapsed time. Without incorporating the proper precautions into software, the timer overflow flag could unintentionally be cleared if:

1. The timer status register is read or written when TOF is set.
2. The LSB of the free-running counter is read but not for the purpose of servicing the flag.

The counter alternate register at addresses \$1A and \$1B contains the same value as the free-running counter (at address \$18 and \$19); therefore, this alternate register can be read at any time without affecting the timer overflow flag in the timer status register.

## 8.8 Timer During Wait Mode

The CPU clock halts during wait mode, the timer remains active. If interrupts are enabled, a timer interrupt will cause the processor to exit the wait mode.

## 8.9 Timer During Stop Mode

In stop mode, the timer stops counting and holds the last count value if stop is exited by an interrupt. If reset is used, the counter is forced to \$FFFC. During stop, if at least one valid input capture edge occurs at the TCAP pin, the input capture detect circuit is armed. This does not set any timer flags or wake up the MCU. But if the MCU exits stop due to an external interrupt, there is an active input capture flag and data from the first valid edge that occurred during the stop mode. If reset is used to exit stop mode, then no input capture flag or data remains, even if a valid input capture edge occurred.



## Section 9. Serial Communications Interface (SCI)

### 9.1 Contents

9.2	Introduction .....	63
9.3	Features.....	64
9.4	SCI Data Format.....	64
9.5	SCI Operation .....	65
9.5.1	Transmitter .....	65
9.5.1.1	Character Length .....	65
9.5.1.2	Character Transmission .....	65
9.5.1.3	Break Characters .....	67
9.5.1.4	Idle Characters.....	67
9.5.1.5	Transmitter Interrupts.....	67
9.5.2	Receiver .....	68
9.5.2.1	Character Length .....	69
9.5.2.2	Character Reception .....	69
9.5.2.3	Receiver Wakeup.....	69
9.5.2.4	Receiver Noise Immunity .....	70
9.5.2.5	Framing Errors .....	70
9.5.2.6	Receiver Interrupts.....	70
9.6	SCI I/O Registers.....	71
9.6.1	SCI Data Register .....	71
9.6.2	SCI Control Register 1 .....	72
9.6.3	SCI Control Register 2 .....	74
9.6.4	SCI Status Register.....	76
9.6.5	Baud Rate Register .....	78

### 9.2 Introduction

The serial communications interface (SCI) module allows high-speed asynchronous communication with peripheral devices and other MCUs.

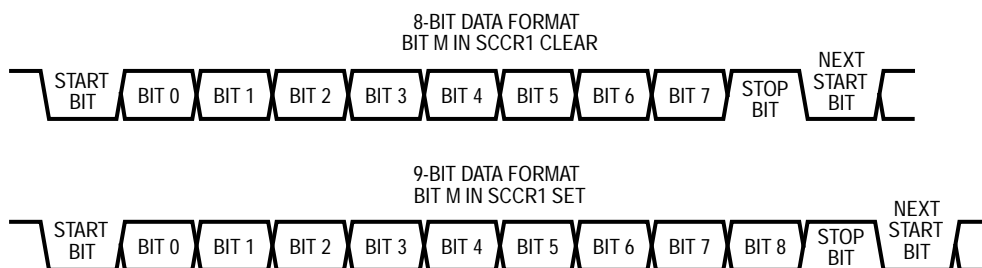
## 9.3 Features

Features of the SCI module include:

- Standard Mark/Space Non-Return-to-Zero Format
- Full-Duplex Operation
- 32 Programmable Baud Rates
- Programmable 8-Bit or 9-Bit Character Length
- Separately Enabled Transmitter and Receiver
- Two Receiver Wakeup Methods:
  - Idle Line Wakeup
  - Address Mark Wakeup
- Interrupt-Driven Operation Capability with Five Interrupt Flags:
  - Transmitter Data Register Empty
  - Transmission Complete
  - Receiver Data Register Full
  - Receiver Overrun
  - Idle Receiver Input
- Receiver Framing Error Detection
- 1/16 Bit-Time Noise Detection

## 9.4 SCI Data Format

The SCI uses the standard non-return-to-zero mark/space data format illustrated in [Figure 9-1](#).



**Figure 9-1. SCI Data Format**



## 9.5 SCI Operation

The SCI allows full-duplex, asynchronous, RS232 or RS422 serial communication between the MCU and remote devices, including other MCUs. The SCI's transmitter and receiver operate independently, although they use the same baud-rate generator. The following paragraphs describe the operation of the SCI transmitter and receiver.

### 9.5.1 Transmitter

[Figure 9-2](#) shows the structure of the SCI transmitter.

#### 9.5.1.1 Character Length

The transmitter can accommodate either 8-bit or 9-bit data. The state of the M bit in SCI control register 1 (SCCR1) determines character length. When transmitting 9-bit data, bit T8 in SCCR1 is the ninth bit (bit 8).

#### 9.5.1.2 Character Transmission

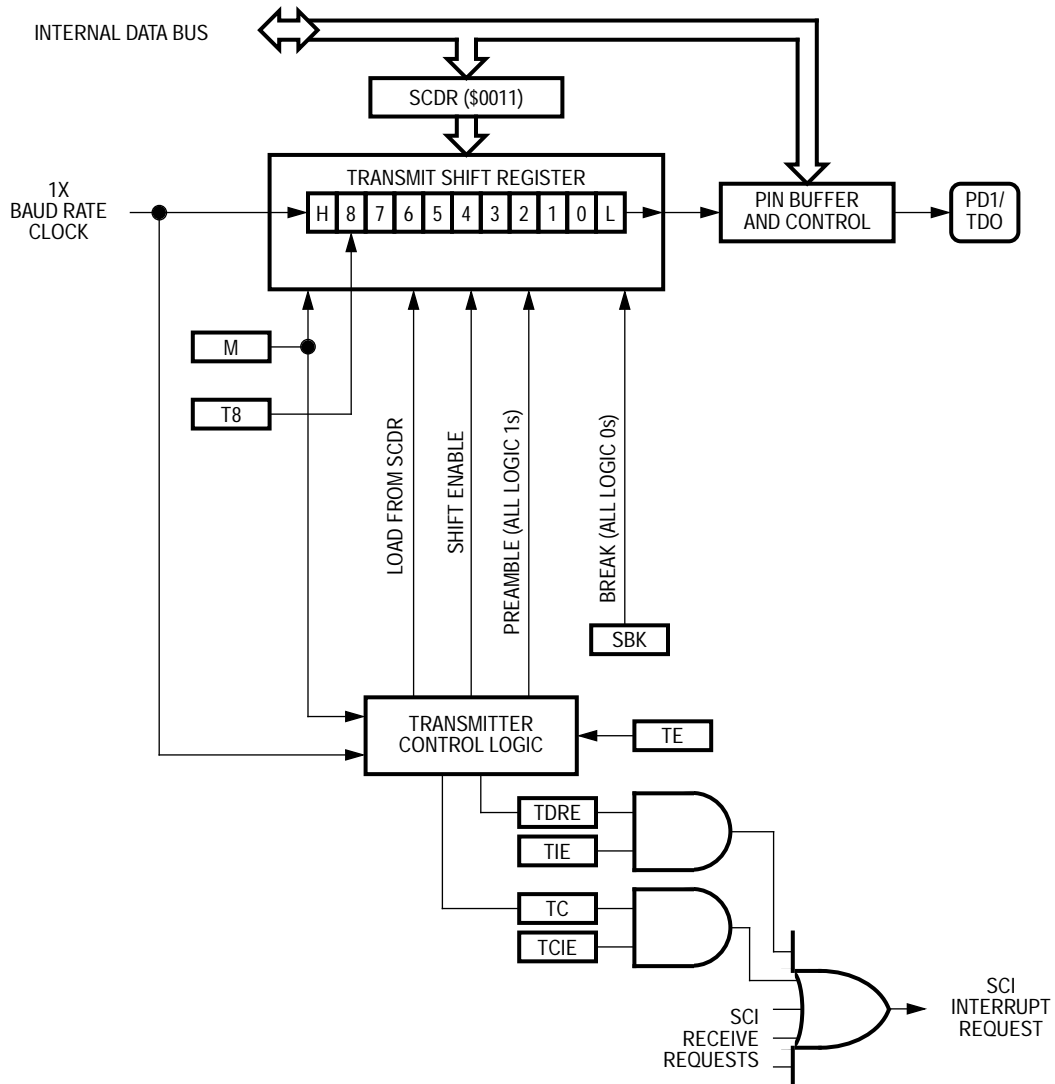
During transmission, the transmit shift register shifts a character out to the PD1/TDO pin. The SCI data register (SCDR) is the write-only buffer between the internal data bus and the transmit shift register.

Writing a logic 1 to the TE bit in SCI control register 2 (SCCR2) and then writing data to the SCDR begins the transmission. At the start of a transmission, transmitter control logic automatically loads the transmit shift register with a preamble of logic 1s. After the preamble shifts out, the control logic transfers the SCDR data into the shift register. A logic 0 start bit automatically goes into the least significant bit position of the shift register, and a logic 1 stop bit goes into the most significant bit position.

When the data in the SCDR transfers to the transmit shift register, the transmit data register empty (TDRE) flag in the SCI status register (SCSR) becomes set. The TDRE flag indicates that the SCDR can accept new data from the internal data bus.

# Serial Communications Interface (SCI)

When the shift register is not transmitting a character, the PD1/TDO pin goes to the idle condition, logic 1. If software clears the TE bit during the idle condition, and while TDRE is set, the transmitter relinquishes control of the PD1/TDO pin.



	BIT 7	6	5	4	3	2	1	BIT 0	
BAUD RATE REGISTER (BAUD)	0	0	SCP1	SCP0	0	SCR2	SCR1	SCR0	\$000D
SCI CONTROL REGISTER 1 (SCCR1)	R8	T8	0	M	WAKE	0	0	0	\$000E
SCI CONTROL REGISTER 2 (SCCR2)	TIE	TCIE	RIE	ILIE	TE	RE	RWU	SBK	\$000F
SCI STATUS REGISTER (SCSR)	TDRE	TC	RDRF	IDLR	OR	NF	FE	0	\$0010
SCI DATA REGISTER (SCDR)	BIT 7	BIT 6	BIT 5	BIT 4	BIT 3	BIT 2	BIT 1	BIT 0	\$0011

**Figure 9-2. SCI Transmitter**

### 9.5.1.3 Break Characters

Writing a logic 1 to the SBK bit in SCCR2 loads the shift register with a break character. A break character contains all logic 0s and has no start and stop bits. Break character length depends on the M bit in SCCR1. As long as SBK is at logic 1, transmitter logic continuously loads break characters into the shift register. After software clears the SBK bit, the shift register finishes transmitting the last break character and then transmits at least one logic 1. The automatic logic 1 at the end of a break character is to guarantee the recognition of the start bit of the next character.

### 9.5.1.4 Idle Characters

An idle character contains all logic 1s and has no start or stop bits. Idle character length depends on the M bit in SCCR1. The preamble is a synchronizing idle character that begins every transmission.

Clearing the TE bit during a transmission relinquishes the PD1/TDO pin after the last character to be transmitted is shifted out. The last character may already be in the shift register, or waiting in the SCDR, or in a break character generated by writing to the SBK bit. Toggling TE from logic 0 to logic 1 while the last character is in transmission generates an idle character (a preamble) that allows the receiver to maintain control of the PD1/TDO pin.

### 9.5.1.5 Transmitter Interrupts

Two sources can generate SCI transmitter interrupt requests:

1. Transmit Data Register Empty (TDRE) — The TDRE bit in the SCSR indicates that the SCDR has transferred a character to the transmit shift register. TDRE is a source of SCI interrupt requests. The transmission complete interrupt enable bit (TCIE) in SCCR2 is the local mask for TDRE interrupts.
2. Transmission Complete (TC) — The TC bit in the SCSR indicates that both the transmit shift register and the SCDR are empty and that no break or idle character has been generated. TC is a source of SCI interrupt requests. The transmission complete interrupt enable bit (TCIE) in SCCR2 is the local mask for TC interrupts.

# Serial Communications Interface (SCI)

## 9.5.2 Receiver

Figure 9-3 shows the structure of the SCI receiver.

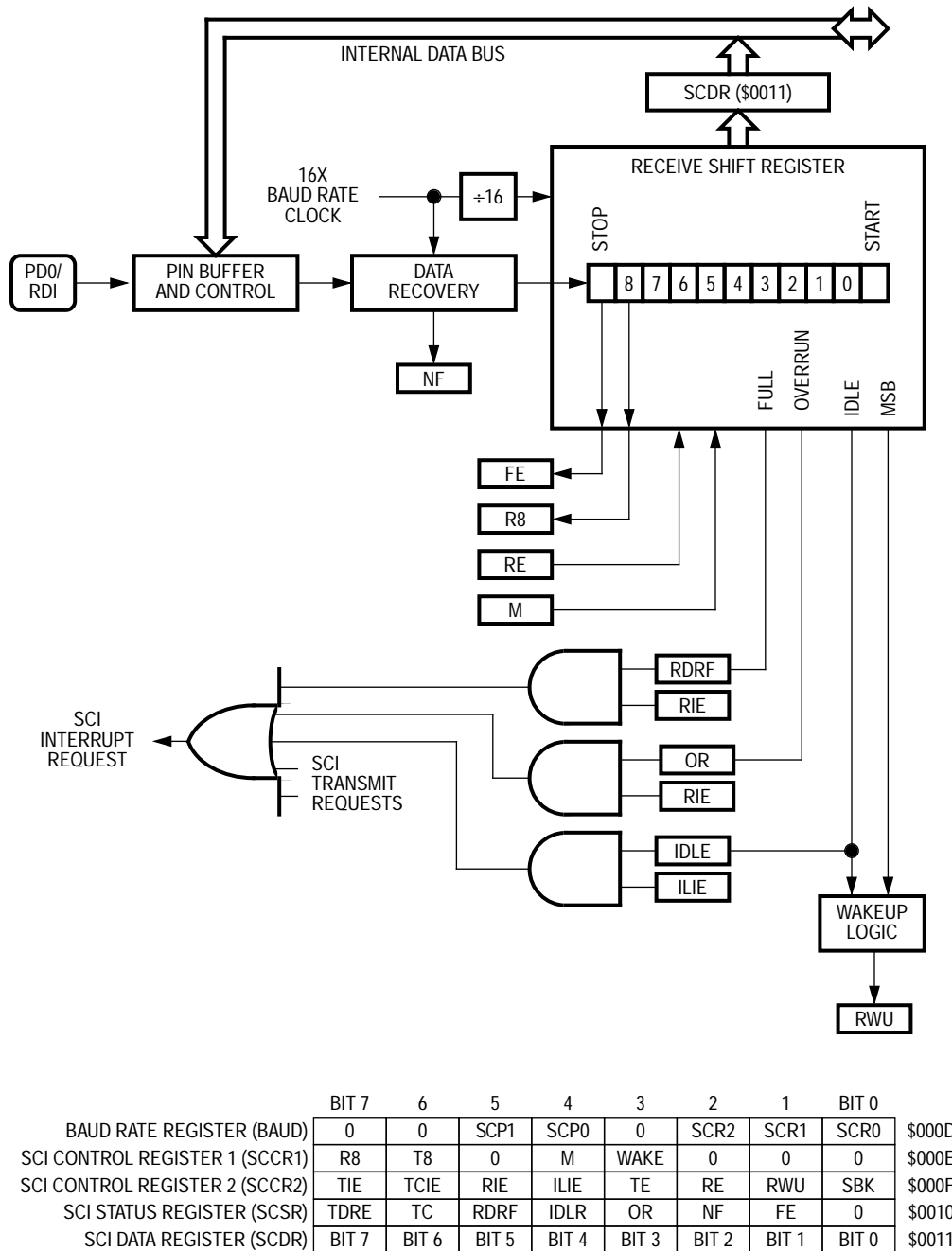


Figure 9-3. SCI Receiver

### 9.5.2.1 Character Length

The receiver can accommodate either 8-bit or 9-bit data. The state of the M bit in SCI control register 1 (SCCR1) determines character length. When receiving 9-bit data, bit R8 in SCCR1 is the ninth bit (bit 8).

### 9.5.2.2 Character Reception

During reception, the receive shift register shifts characters in from the PD0/RDI pin. The SCI data register (SCDR) is the read-only buffer between the internal data bus and the receive shift register.

After a complete character shifts into the receive shift register, the data portion of the character is transferred to the SCDR, setting the receive data register full (RDRF) flag. The RDRF flag can be used to generate an interrupt.

### 9.5.2.3 Receiver Wakeup

So that the MCU can ignore transmissions intended only for other receivers in multiple-receiver systems, the receiver can be put into a standby state. Setting the receiver wakeup enable (RWU) bit in SCI control register 2 (SCCR2) puts the receiver into a standby state during which receiver interrupts are disabled.

Either of two conditions on the PD0/RDI pin can bring the receiver out of the standby state:

1. Idle input line condition — If the PD0/RDI pin is at logic 1 long enough for 10 or 11 logic 1s to shift into the receive shift register, receiver interrupts are again enabled.
2. Address mark — If a logic 1 occurs in the most significant bit position of a received character, receiver interrupts are again enabled.

The state of the WAKE bit in SCCR1 determines which of the two conditions wakes up the MCU.

### 9.5.2.4 Receiver Noise Immunity

The data recovery logic samples each bit 16 times to identify and verify the start bit and to detect noise. Any conflict between noise-detection samples sets the noise flag (NF) in the SCSR. The NF bit is set at the same time that the RDRF bit is set.

### 9.5.2.5 Framing Errors

If the data recovery logic does not detect a logic 1 where the stop bit should be in an incoming character, it sets the framing error (FE) bit in the SCSR. The FE bit is set at the same time that the RDRF bit is set.

### 9.5.2.6 Receiver Interrupts

Three sources can generate SCI receiver interrupt requests:

1. Receive Data Register Full (RDRF) — The RDRF bit in the SCSR indicates that the receive shift register has transferred a character to the SCDR.
2. Receiver Overrun (OR) — The OR bit in the SCSR indicates that the receive shift register shifted in a new character before the previous character was read from the SCDR.
3. Idle Input (IDLE) — The IDLE bit in the SCSR indicates that 10 or 11 consecutive logic 1s shifted in from the PD0/RDI pin.

## 9.6 SCI I/O Registers

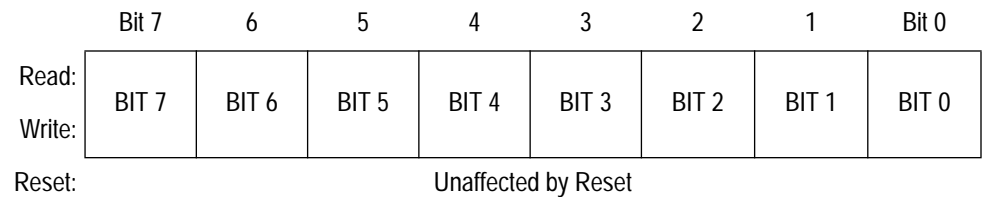
These I/O registers control and monitor SCI operation:

- SCI data register (SCDR)
- SCI control register 1 (SCCR1)
- SCI control register 2 (SCCR2)
- SCI status register (SCSR)

### 9.6.1 SCI Data Register

The SCI data register is the buffer for characters received and for characters transmitted.

Address: \$0011



**Figure 9-4. SCI Data Register (SCDR)**

# Serial Communications Interface (SCI)


## 9.6.2 SCI Control Register 1

SCI control register 1 has these functions:

- Stores ninth SCI data bit received and ninth SCI data bit transmitted
- Controls SCI character length
- Controls SCI wakeup method

Address: \$000E

	Bit 7	6	5	4	3	2	1	Bit 0
Read:	R8	T8	0	M	WAKE	0	0	0
Write:								
Reset:	Unaffected by Reset							

 = Unimplemented

**Figure 9-5. SCI Control Register (SCCR1)**

### R8 — Bit 8 (Received)

When the SCI is receiving 9-bit characters, R8 is the ninth bit of the received character. R8 receives the ninth bit from the receive shift register at the same time that the SCDR receives the other eight bits. Reset has no effect on the R8 bit.

### T8 — Bit 8 (Transmitted)

When the SCI is transmitting 9-bit characters, T8 is the ninth bit of the transmitted character. T8 is loaded into the transmit shift register at the same time that SCDR is loaded into the transmit shift register. Reset has no effect on the T8 bit.



### M — Character Length

This read/write bit determines whether SCI characters are 8 bits long or 9 bits long. The ninth bit can be used as an extra stop bit, as a receiver wakeup signal, or as a mark or space parity bit. Reset has no effect on the M bit.

1 = 9-bit SCI characters

0 = 8-bit SCI characters

### WAKE — Wakeup Bit

This read/write bit determines which condition wakes up the SCI: a logic 1 (address mark) in the MSB position of a received character or an idle condition of the PD0/RDI pin. Reset has no effect on the WAKE bit.

1 = Address mark wakeup

0 = Idle line wakeup

## 9.6.3 SCI Control Register 2

SCI control register 2 has these functions:

- Enables the SCI receiver and SCI receiver interrupts
- Enables the SCI transmitter and SCI transmitter interrupts
- Enables SCI receiver idle interrupts
- Enables SCI transmission complete interrupts
- Enables SCI wakeup
- Transmits SCI break characters

Address: \$000F

	Bit 7	6	5	4	3	2	1	Bit 0
Read:	TIE	TCIE	RIE	ILIE	TE	RE	RWU	SBK
Write:								
Reset:	Unaffected by Reset							

**Figure 9-6. SCI Control Register 2 (SCCR2)**

### TIE — Transmit Interrupt Enable

This read/write bit enables SCI interrupt requests when the TDRE bit becomes set. Reset clears the TIE bit.

- 1 = TDRE interrupt requests enabled
- 0 = TDRE interrupt requests disabled

### TCIE — Transmission Complete Interrupt Enable

This read/write bit enables SCI interrupt requests when the TC bit becomes set. Reset clears the TCIE bit

- 1 = TC interrupt requests enabled
- 0 = TC interrupt requests disabled

### RIE — Receive Interrupt Enable

This read/write bit enables SCI interrupt requests when the RDRF bit or the OR bit becomes set. Reset clears the RIE bit.

- 1 = RDRF interrupt requests enabled
- 0 = RDRF interrupt requests disabled

#### ILIE — Idle Line Interrupt Enable

This read/write bit enables SCI interrupt requests when the IDLE bit becomes set. Reset clears the ILIE bit.

- 1 = IDLE interrupt requests enabled
- 0 = IDLE interrupt requests disabled

#### TE — Transmit Enable

Setting this read/write bit begins the transmission by sending a preamble of 10 or 11 logic 1s from the transmit shift register to the PD1/TDO pin. Reset clears the TE bit.

- 1 = Transmission enabled
- 0 = Transmission disabled

#### RE — Receive Enable

Setting this read/write bit enables the receiver. Clearing the RE bit disables the receiver and receiver interrupts but does not affect the receiver interrupt flags. Reset clears the RE bit.

- 1 = Receiver enabled
- 0 = Receiver disabled

#### RWU — Receiver Wakeup Enable

This read/write bit puts the receiver in a standby state. Typically, data transmitted to the receiver clears the RWU bit and returns the receiver to normal operation. The WAKE bit in SCCR1 determines whether an idle input or an address mark brings the receiver out of the standby state. Reset clears the RWU bit.

- 1 = Standby state
- 0 = Normal operation

#### SBK — Send Break

Setting this read/write bit continuously transmits break codes in the form of 10-bit or 11-bit groups of logic 0s. Clearing the SBK bit stops the break codes and transmits a logic 1 as a start bit. Reset clears the SBK bit.

- 1 = Break codes being transmitted
- 0 = No break codes being transmitted


## 9.6.4 SCI Status Register

The SCI status register contains flags to signal the following conditions:

- Transfer of SCDR data to transmit shift register complete
- Transmission complete
- Transfer of receive shift register data to SCDR complete
- Receiver input idle
- Receiver overrun
- Noisy data
- Framing Error

Address: \$0010

	Bit 7	6	5	4	3	2	1	Bit 0
Read:	TDRE	TC	RDRF	IDLE	OR	NF	FE	0
Write:								0
Reset:	Unaffected by Reset							

 = Unimplemented

**Figure 9-7. SCI Status Register (SCSR)**

### TDRE — Transmit Data Register Empty

This clearable, read-only bit is set when the data in the SCDR transfers to the transmit shift register. TDRE generates an interrupt request if the TIE bit in SCCR2 is also set. Clear the TDRE bit by reading the SCSR with TDRE set, and then writing to the SCDR. Reset sets the TDRE bit. Software must initialize the TDRE bit to logic 0 to avoid an instant interrupt request when turning on the transmitter.

1 = SCDR data transferred to transmit shift register

0 = SCDR data not transferred to transmit shift register

### TC — Transmission Complete

This clearable, read-only bit is set when the TDRE bit is set, and no data, preamble, or break character is being transmitted. TC generates an interrupt request if the TCIE bit in SCCR2 is also set. Clear the TC

bit by reading the SCSR with TC set, and then writing to the SCDR. Reset sets the TC bit. Software must initialize the TC bit to logic 0 to avoid an instant interrupt request when turning on the transmitter.

- 1 = No transmission in progress
- 0 = Transmission in progress

#### RDRF — Receive Data Register Full

This clearable, read-only bit is set when the data in the receive shift register transfers to the SCI data register. RDRF generates an interrupt request if the RIE bit in SCCR2 is also set. Clear the RDRF bit by reading the SCSR with RDRF set, and then reading the SCDR. Reset clears the RDRF bit.

- 1 = Received data available in SCDR
- 0 = Received data not available in SCDR

#### IDLE — Receiver Idle

This clearable, read-only bit is set when 10 or 11 consecutive logic 1s appear on the receiver input. IDLE generates an interrupt request if the ILIE bit in SCCR2 is also set. Clear the IDLE bit by reading the SCSR with IDLE set, and then reading the SCDR. Reset clears the IDLE bit.

- 1 = Receiver input idle
- 0 = Receiver input not idle

#### OR — Receiver Overrun

This clearable, read-only bit is set if the SCDR is not read before the receive shift register receives the next word. OR generates an interrupt request if the RIE bit in SCCR2 is also set. The data in the shift register is lost, but the data already in the SCDR is not affected. Clear the OR bit by reading the SCSR with OR set and then reading the SCDR. Reset clears the OR bit.

- 1 = Receiver shift register full and RDRF = 1
- 0 = No receiver overrun

# Serial Communications Interface (SCI)

## NF — Receiver Noise Flag

This clearable, read-only bit is set when noise is detected in data received in the SCI data register. Clear the NF bit by reading the SCSR and then reading the SCDR. Reset clears the NF bit.

- 1 = Noise detected in SCDR
- 0 = No noise detected in SCDR

## FE — Receiver Framing Error

This clearable, read-only flag is set when there is a logic 0 where a stop bit should be in the character shifted into the receive shift register. If the received word causes both a framing error and an overrun error, the OR bit is set and the FE bit is not set. Clear the FE bit by reading the SCSR, and then reading the SCDR. Reset clears the FE bit.

- 1 = Framing error
- 0 = No framing error

## 9.6.5 Baud Rate Register

The baud rate register selects the baud rate for both the receiver and the transmitter.

Address: \$000D

	Bit 7	6	5	4	3	2	1	Bit 0
Read:	0	0	SCP1	SCP0	0	SCR2	SCR1	SCR0
Write:	0	0	0	0	0	0	0	0
Reset:	0	0	0	0	0	U	U	U

U = Unaffected

**Figure 9-8. Baud Rate Register (BAUD)**

## SCP1 and SCP0 — SCI Prescaler Select Bits

These read/write bits control prescaling of the baud rate generator clock, as shown in [Table 9-1](#). Resets clear both SCP1 and SCP0.

**Table 9-1. Baud Rate Generator Clock Prescaling**

SCP0–SCP1	Baud Rate Generator Clock
00	Internal Clock Divided by 1
01	Internal Clock Divided by 3
10	Internal Clock Divided by 4
11	Internal Clock Divided by 13

**SCR2–SCR0 — SCI Baud Rate Select Bits**

These read/write bits select the SCI baud rate, as shown in [Table 9-2](#). Reset has no effect on the SCR2–SCR0 bits.

**Table 9-2. Baud Rate Selection**

SCR2–SCR0	SCI Baud Rate (Baud)
000	Prescaled Clock Divided by 1
001	Prescaled Clock Divided by 2
010	Prescaled Clock Divided by 4
011	Prescaled Clock Divided by 8
100	Prescaled Clock Divided by 16
101	Prescaled Clock Divided by 32
110	Prescaled Clock Divided by 64
111	Prescaled Clock Divided by 128

[Table 9-3](#) shows all possible SCI baud rates derived from crystal frequencies of 2 MHz, 4 MHz, and 4.194304 MHz.

**Table 9-3. Baud Rate Selection Examples**

SCP1–SCP0	SCR2–SCR0	SCI Baud Rate		
		f <sub>osc</sub> = 2 MHz	f <sub>osc</sub> = 4 MHz	f <sub>osc</sub> = 4.194304 MHz
00	000	62.50 kBaud	125 kBaud	131.1 kBaud
00	001	31.25 kBaud	62.50 kBaud	65.54 kBaud
00	010	15.63 kBaud	31.25 kBaud	32.77 kBaud
00	011	7813 Baud	15.63 kBaud	16.38 kBaud
00	100	3906 Baud	7813 Baud	8192 Baud
00	101	1953 Baud	3906 Baud	4096 Baud
00	110	976.6 Baud	1953 Baud	2048 Baud
00	111	488.3 Baud	976.6 Baud	1024 Baud
01	000	20.83 kBaud	41.67 kBaud	43.69 kBaud
01	001	10.42 kBaud	20.83 kBaud	21.85 kBaud
01	010	5208 Baud	10.42 kBaud	10.92 kBaud
01	011	2604 Baud	5208 Baud	5461 Baud
01	100	1302 Baud	2604 Baud	2731 Baud
01	101	651.0 Baud	1302 Baud	1365 Baud
01	110	325.5 Baud	651.0 Baud	682.7 Baud
01	111	162.8 Baud	325.5 Baud	341.3 Baud
10	000	15.63 kBaud	31.25 kBaud	32.77 kBaud
10	001	7813 Baud	15.63 kBaud	16.38 kBaud
10	010	3906 Baud	7813 Baud	8192 Baud
10	011	1953 Baud	3906 Baud	4906 Baud
10	100	976.6 Baud	1953 Baud	2048 Baud
10	101	488.3 Baud	976.6 Baud	1024 Baud
10	110	244.1 Baud	488.3 Baud	512.0 Baud
10	111	122.1 Baud	244.1 Baud	256.0 Baud
11	000	4808 Baud	9615 Baud	10.08 kBaud
11	001	2404 Baud	4808 Baud	5041 Baud
11	010	1202 Baud	2404 Baud	2521 Baud
11	011	601.0 Baud	1202 Baud	1260 Baud
11	100	300.5 Baud	601.0 Baud	630.2 Baud
11	101	150.2 Baud	300.5 Baud	315.1 Baud
11	110	75.12 Baud	150.2 Baud	157.5 Baud
11	111	37.56 Baud	75.12 Baud	78.77 Baud



## Section 10. Serial Peripheral Interface (SPI)

### 10.1 Contents

10.2	Introduction .....	81
10.3	Features.....	82
10.4	SPI Signal Description .....	82
10.4.1	Master In Slave Out (MISO) .....	82
10.4.2	Master Out Slave In (MOSI) .....	82
10.4.3	Serial Clock (SCK) .....	83
10.4.4	Slave Select ( $\overline{SS}$ ) .....	84
10.5	Functional Description .....	84
10.6	SPI Registers.....	86
10.6.1	Serial Peripheral Control Register .....	87
10.6.2	Serial Peripheral Status Register .....	88
10.6.3	Serial Peripheral Data I/O Register .....	90

### 10.2 Introduction

The serial peripheral interface (SPI) is an interface built into the MC68HC05 MCU which allows several MC68HC05 MCUs or MC68HC05 MCU plus peripheral devices to be interconnected within a single printed circuit board. In an SPI, separate wires are required for data and clock. In the SPI format, the clock is not included in the data stream and must be furnished as a separate signal. An SPI system may be configured in a system containing one master MCU and several slave MCUs or in a system in which an MCU is capable of being a master or a slave.

## 10.3 Features

- Full-Duplex, 4-Wire Synchronous Transfers
- Master or Slave Operation
- Bus Frequency Divided by 2 (Maximum) Master Bit Frequency
- Bus Frequency (Maximum) Slave Bit Frequency
- Four Programmable Master Bit Rates
- Programmable Clock Polarity and Phase
- End of Transmission Interrupt Flag
- Write Collision Flag Protection
- Master-Master Mode Fault Protection Capability

## 10.4 SPI Signal Description

The four basic signals (MOSI, MISO, SCK, and  $\overline{SS}$ ) are described in the following paragraphs. Each signal function is described for both the master mode and slave mode.

### 10.4.1 Master In Slave Out (MISO)

The MISO line is configured as an input in a master device and as an output in a slave device. It is one of the two lines that transfer serial data in one direction, with the most significant bit sent first. The MISO line of a slave device is placed in the high-impedance state if the slave is not selected.

### 10.4.2 Master Out Slave In (MOSI)

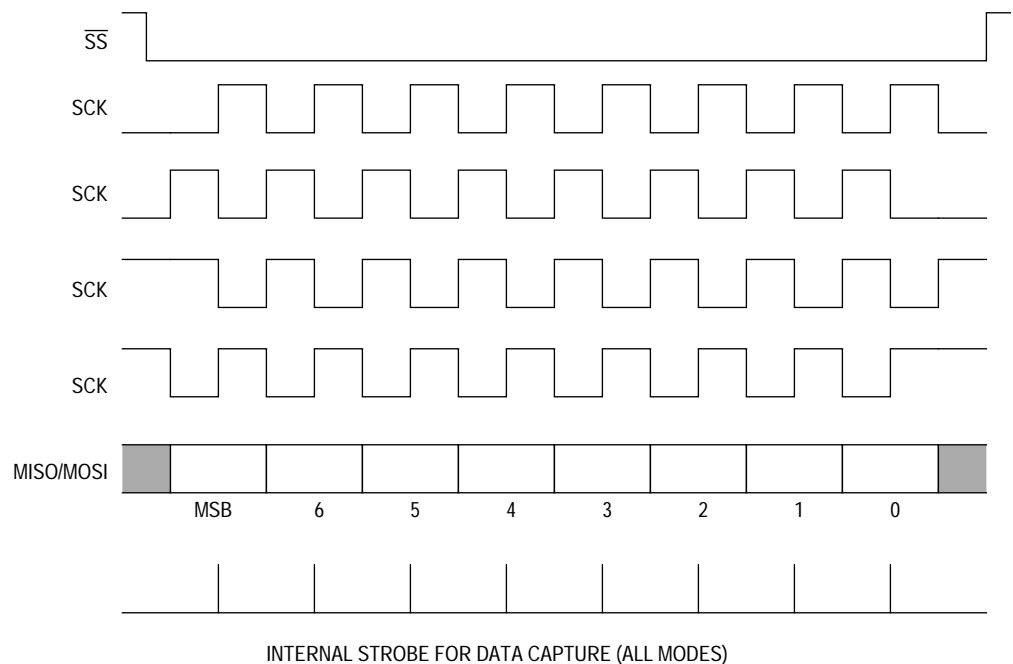
The MOSI line is configured as an output in a master device and as an input in a slave device. It is one of the two lines that transfer serial data in one direction with the most significant bit (MSB) sent first.

### 10.4.3 Serial Clock (SCK)

The master clock is used to synchronize data movement both in and out of the device through its MOSI and MISO lines. The master and slave devices are capable of exchanging a byte of information during a sequence of eight clock cycles. Since SCK is generated by the master device, this line becomes an input on a slave device.

As shown in [Figure 10-1](#), four possible timing relationships may be chosen by using control bits CPOL and CPHA in the serial peripheral control register (SPCR). Both master and slave devices must operate with the same timing. The master device always places data on the MOSI line one-half cycle before the clock edge (SCK), so the slave device can latch the data.

Two bits (SPR0 and SPR1) in the SPCR of the master device select the clock rate. In a slave device, SPR0 and SPR1 have no effect on the SPI operation.



**Figure 10-1. Data Clock Timing Diagram**

### 10.4.4 Slave Select ( $\overline{SS}$ )

The slave select ( $\overline{SS}$ ) input line is used to select a slave device. It has to be low prior to data transactions and must stay low for the duration of the transaction.

The  $\overline{SS}$  line on the master must be tied high. If it goes low, a mode fault error flag (MODF) is set in the SPSR.

When  $CPHA = 0$ , the shift clock is the OR of  $\overline{SS}$  with SCK. In this clock phase mode,  $\overline{SS}$  must go high between successive characters in an SPI message. When  $CPHA = 1$ ,  $\overline{SS}$  may be left low for several SPI characters. In cases where there is only one SPI slave MCU, its  $\overline{SS}$  line could be tied to  $V_{SS}$  as long as  $CPHA = 1$  clock modes are used.

## 10.5 Functional Description

Figure 10-2 shows a block diagram of the serial peripheral interface circuitry. When a master device transmits data to a slave via the MOSI line, the slave device responds by sending data to the master device via the master's MISO line. This implies full-duplex transmission with both data out and data in synchronized with the same clock signal. Thus, the byte transmitted is replaced by the byte received and eliminates the need for separate transmit-empty and receive-full status bits. A single status bit (SPIF) is used to signify that the I/O operation has been completed.

The SPI data register (SPDR) is double buffered on read, but not on write. If a write is performed during data transfer, the transfer occurs uninterrupted, and the write will be unsuccessful. This condition will cause the write collision (WCOL) status bit in the SPSR to be set. After a data byte is shifted, the SPIF flag of the SPSR is set.

In the master mode, the SCK pin is an output. It idles high or low, depending on the CPOL bit in the SPCR, until data is written to the shift register, at which point eight clocks are generated to shift the eight bits of data and then SCK goes idle again.

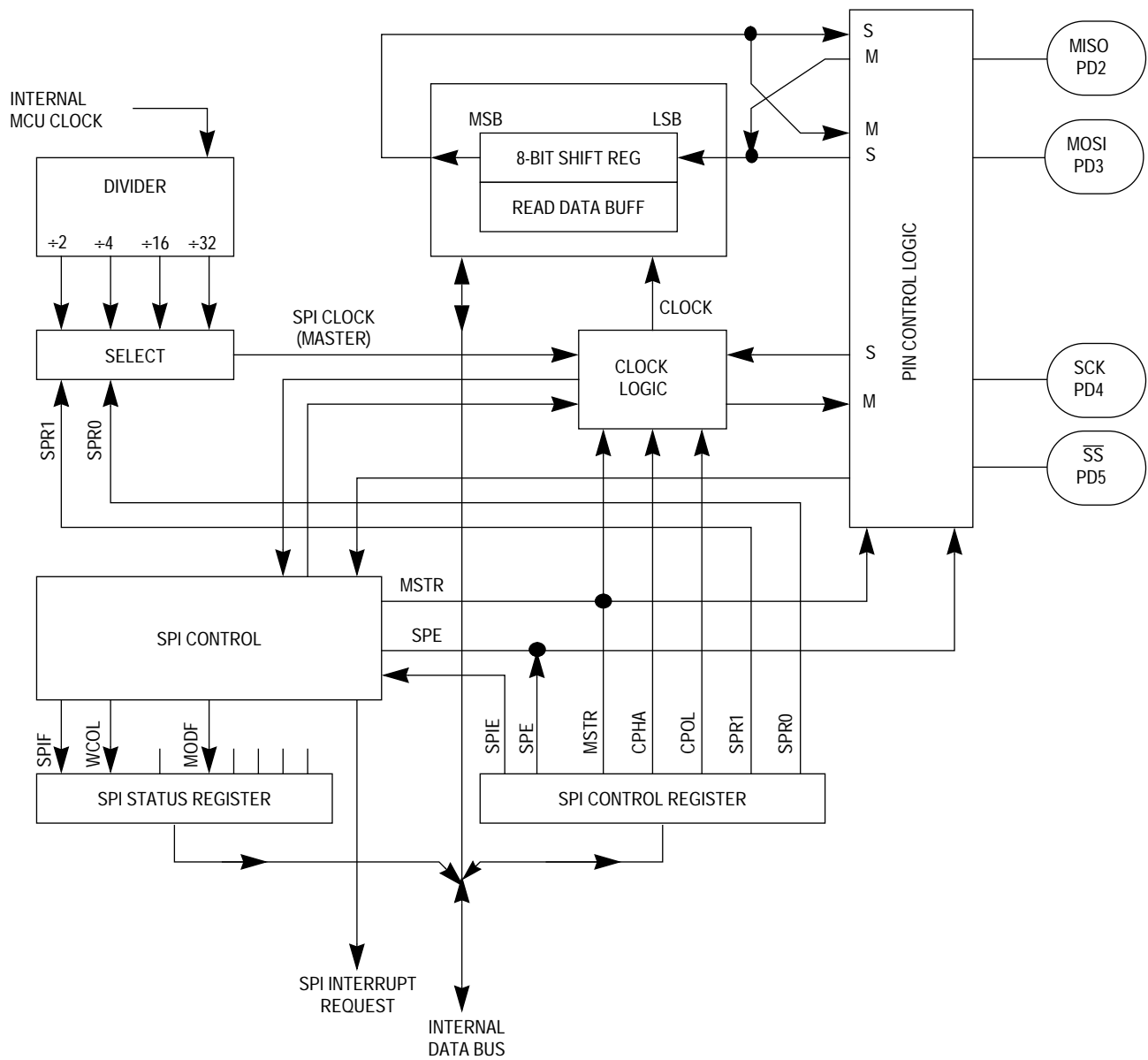
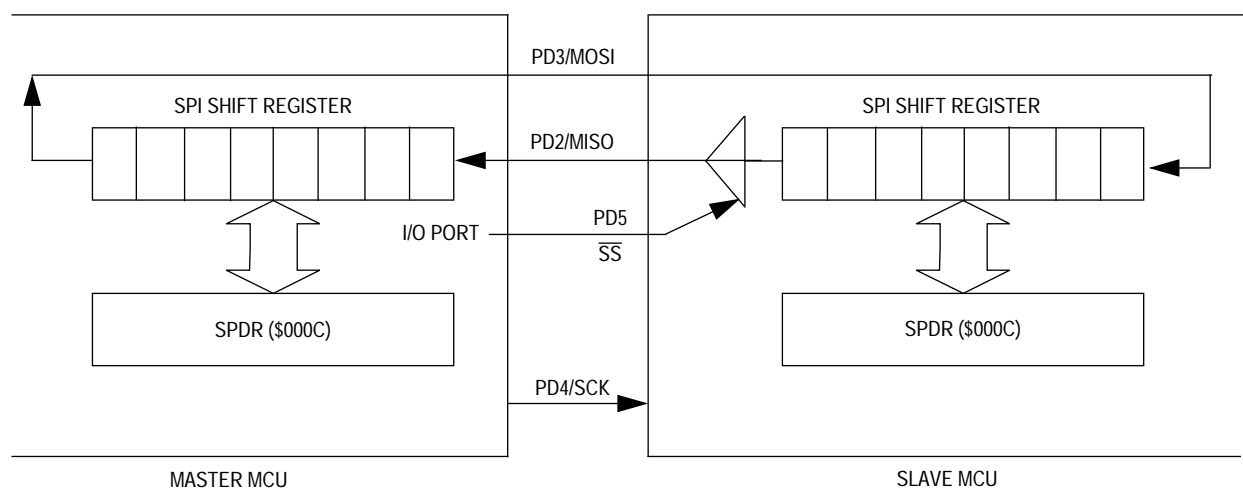


Figure 10-2. Serial Peripheral Interface Block Diagram

## Serial Peripheral Interface (SPI)

In a slave mode, the slave select start logic receives a logic low at the  $\overline{SS}$  pin and a clock at the SCK pin. Thus, the slave is synchronized with the master. Data from the master is received serially at the MOSI line and loads the 8-bit shift register. After the 8-bit shift register is loaded, its data is parallel transferred to the read buffer. During a write cycle, data is written into the shift register, then the slave waits for a clock train from the master to shift the data out on the slave's MISO line.

Figure 10-3 illustrates the MOSI, MISO, SCK, and  $\overline{SS}$  master-slave interconnections.

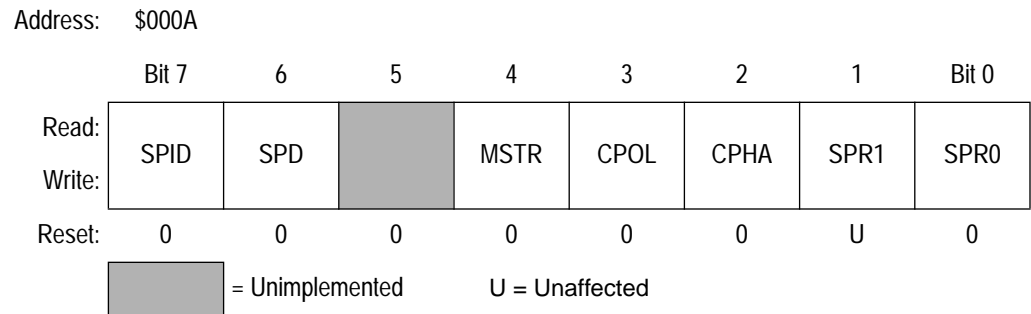


**Figure 10-3. Serial Peripheral Interface Master-Slave Interconnection**

### 10.6 SPI Registers

Three registers in the SPI provide control, status, and data storage functions. These registers are called the serial peripheral control register (SPCR), serial peripheral status register (SPSR), and serial peripheral data I/O register (SPDR) and are described in the following paragraphs.

### 10.6.1 Serial Peripheral Control Register



**Figure 10-4. SPI Control Register (SPCR)**

**SPIE** — Serial Peripheral Interrupt Enable

0 = SPIF interrupts disabled

1 = SPI interrupt is enabled

**SPE** — Serial Peripheral System Enable

0 = SPI system off

1 = SPI system on

**MSTR** — Master Mode Select

0 = Slave mode

1 = Master mode

**CPOL** — Clock Polarity

When the clock polarity bit is cleared and data is not being transferred, a steady state low value is produced at the SCK pin of the master device. Conversely, if this bit is set, the SCK pin will idle high. This bit also is used in conjunction with the clock phase control bit to produce the desired clock-data relationship between master and slave. See [Figure 10-1](#).

**CPHA** — Clock Phase

The clock phase bit, in conjunction with the CPOL bit, controls the clock-data relationship between master and slave. The CPOL bit can be thought of as simply inserting an inverter in series with the SCK line. The CPHA bit selects one of two fundamentally different clocking protocols. When CPHA = 0, the shift clock is the OR of SCK with  $\overline{SS}$ .

## Serial Peripheral Interface (SPI)

As soon as  $\overline{SS}$  goes low, the transaction begins and the first edge on SCK invokes the first data sample. When CPHA = 1, the  $\overline{SS}$  pin may be thought of as a simple output enable control. See [Figure 10-1](#).

### SPR1 and SPR0 — SPI Clock Rate Selects

These two bits select one of four baud rates to be used as SCK if the device is a master; however, they have no effect in the slave mode. See [Table 10-1](#).

**Table 10-1. Serial Peripheral Rate Selection**

SPR1	SPR0	Bus Clock Divided By
0	0	2
0	1	4
1	0	16
1	1	32

### 10.6.2 Serial Peripheral Status Register

Address: \$000B

	Bit 7	6	5	4	3	2	1	Bit 0
Read:	SPIF	WCOL	0	MODF	0	0	0	0
Write:								
Reset:	0	0	0	0	0	0	U	0

= Unimplemented      U = Unaffected

**Figure 10-5. SPI Status Register (SPSR)**

### SPIF — SPI Transfer Complete Flag

The serial peripheral data transfer flag bit is set upon completion of data transfer between the processor and external device. If SPIF goes high and if SPIE is set, a serial peripheral interrupt is generated. Clearing the SPIF bit is accomplished by reading the SPSR (with SPIF set) followed by an access of the SPDR. Unless SPSR is read (with SPIF set) first, attempts to write to SPDR are inhibited.



### WCOL — Write Collision

The write collision bit is set when an attempt is made to write to the serial peripheral data register while data transfer is taking place. If CPHA is 0, a transfer is said to begin when  $\overline{SS}$  goes low and the transfer ends when  $\overline{SS}$  goes high after eight clock cycles on SCK. When CPHA is 1, a transfer is said to begin the first time SCK becomes active while  $\overline{SS}$  is low. The transfer ends when the SPIF flag gets set. Clearing the WCOL bit is accomplished by reading the SPSR (with WCOL set) followed by an access to SPDR.

### Bit 5 — Not implemented

This bit always reads 0.

### MODF — Mode Fault

The mode fault flag indicates that there may have been a multi-master conflict for system control and allows a proper exit from system operation to a reset or default system state. The MODF bit is normally clear and is set only when the master device has its  $\overline{SS}$  pin pulled low. Setting the MODF bit affects the internal serial peripheral interface system in the following ways:

- An SPI interrupt is generated if SPIE = 1.
- The SPE bit is cleared. This disables the SPI.
- The MSTR bit is cleared, thus forcing the device into the slave mode.

Clearing the MODF bit is accomplished by reading the SPSR (with MODF set), followed by a write to the SPCR. Control bits SPE and MSTR may be restored by user software to their original state after the MODF bit has been cleared.

### Bits 3–0 — Not Implemented

These bits always read 0.

### 10.6.3 Serial Peripheral Data I/O Register

The serial peripheral data I/O register is used to transmit and receive data on the serial bus. Only a write to this register will initiate transmission/reception of another byte, and this will occur only in the master device. At the completion of transmitting a byte of data, the SPIF status bit is set in both the master and slave devices.

When the user reads the serial peripheral data I/O register, a buffer is actually being read. The first SPIF must be cleared by the time a second transfer of the data from the shift register to the read buffer is initiated or an overrun condition will exist. In cases of overrun, the byte which causes the overrun is lost.

A write to the serial peripheral data I/O register is not buffered and places data directly into the shift register for transmission.

## Section 11. Operating Modes


### 11.1 Contents

11.2	Introduction .....	91
11.3	User Mode .....	91
11.4	Self-Check Mode .....	92
11.4.1	Self-Check Tests .....	92
11.4.2	Self-Check Results .....	93

### 11.2 Introduction

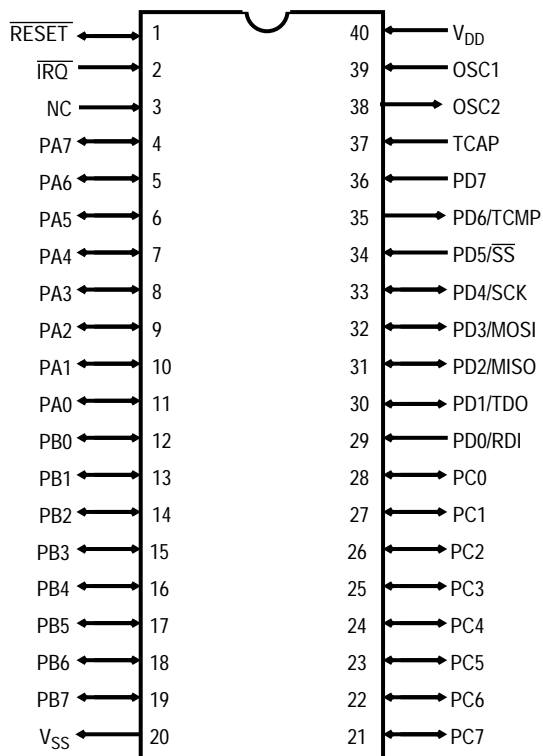
The MCU has two modes of operation: user mode and self-check mode. [Table 11-1](#) shows the conditions required to enter into each mode, where  $V_{TST} = 2 \times V_{DD}$ .

**Table 11-1. Operating Mode Conditions**

$\overline{\text{RESET}}$	$\overline{\text{IRQ}}$	TCAP	Mode
	$V_{SS}$ to $V_{DD}$	$V_{SS}$ to $V_{DD}$	User
	$V_{TST}$	$V_{DD}$	Self-Check

### 11.3 User Mode

In user mode, the address and data buses are not available externally, but there are three 8-bit input/output (I/O) ports and one 7-bit input-only port. This mode allows the MCU to function as a self-contained microcontroller, with maximum use of the pins for on-chip peripheral functions. All address and data activity occurs within the MCU. User mode is entered on the rising edge of  $\overline{\text{RESET}}$  if the  $\overline{\text{IRQ}}$  pin is within normal operating range.



**Figure 11-1. User Mode Pinout**

## 11.4 Self-Check Mode

Self-check mode is entered upon the rising edge of  $\overline{\text{RESET}}$  if the  $\overline{\text{IRQ}}$  pin is at  $V_{\text{TST}}$  and the TCAP pin is at logic 1.

### 11.4.1 Self-Check Tests

The self-check ROM at mask ROM location \$1F00–\$1FEF determines if the MCU is functioning properly. These five tests are performed:

1. I/O — Functional test of ports A, B, and C
2. RAM — Counter test for each RAM byte
3. Timer — Test of counter register and OCF bit
4. SCI — Transmission test checks for RDRF, TDRE, TC, and FE flags

5. ROM — Exclusive OR with odd ones parity result
6. SPI — Transmission test checks for SPIF and WCOL flags

The self-check circuit is shown in [Figure 11-2](#).

## 11.4.2 Self-Check Results

[Table 11-2](#) shows the LED codes that indicate self-check test results.

**Table 11-2. Self-Check Circuit LED Codes**

PC3	PC2	PC1	PC0	Remarks
Off	On	On	Off	I/O Failure
Off	On	Off	On	RAM Failure
Off	On	Off	Off	Timer Failure
Off	Off	On	On	SCI Failure
Off	Off	On	Off	ROM Failure
Off	Off	Off	On	SPI Failure
Flashing				No Failure
All Others				Device Failure

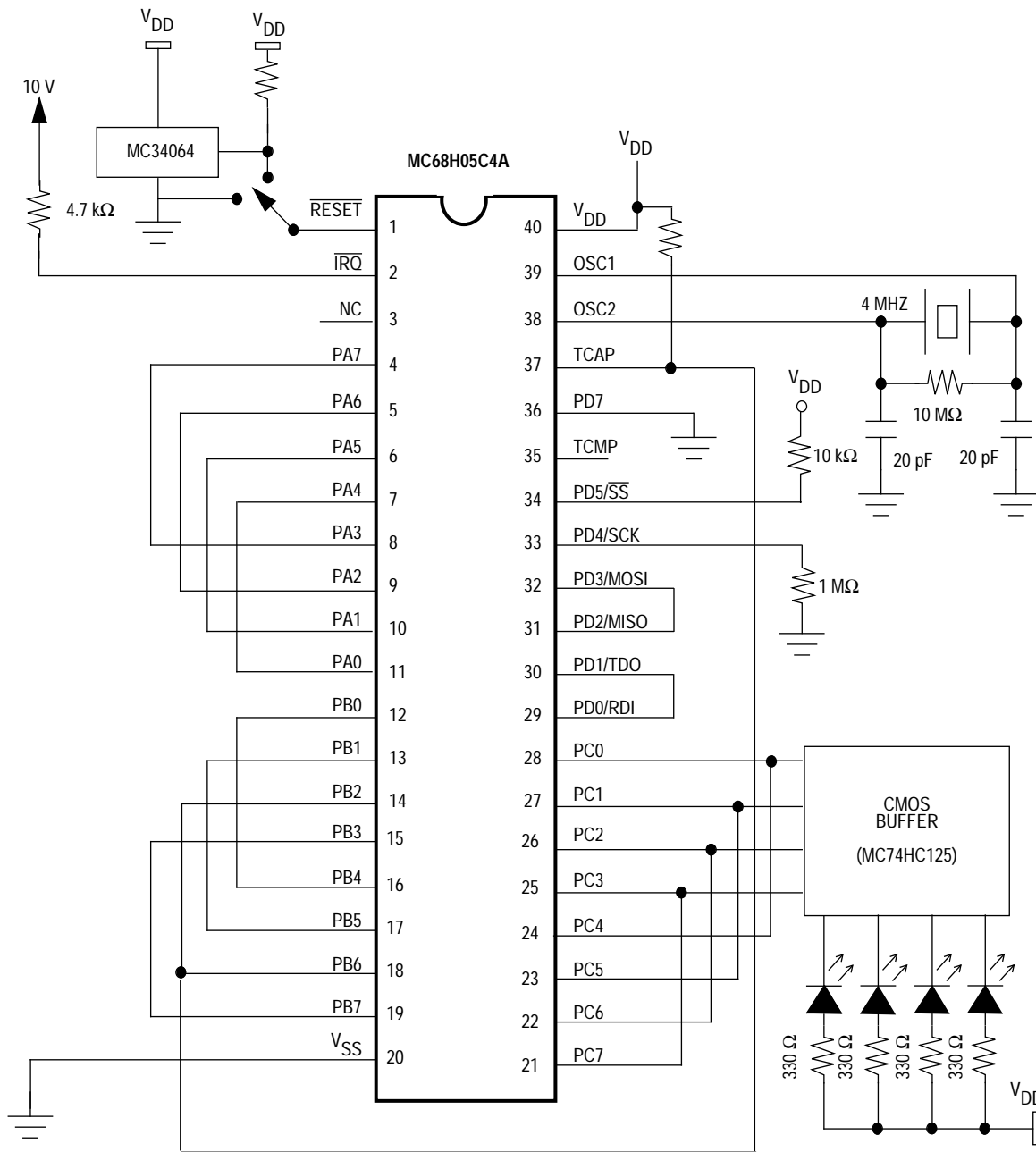
Perform these three steps to activate the self-check tests:

1. Apply 10 V ( $2 \times V_{DD}$ ) to the  $\overline{IRQ}$  pin.
2. Apply a logic 1 to the TCAP pin.
3. Apply a logic 0 to the  $\overline{RESET}$  pin.

The self-check tests begin on the rising edge of the  $\overline{RESET}$  pin.

$\overline{RESET}$  must be held low for 4064 cycles after power-on reset (POR) or for a time,  $t_{RL}$ , for any other reset. (For the  $t_{RL}$  value, see [13.9 5.0 V Control Timing](#).)

# Operating Modes



- NOTES:
1.  $V_{DD} = 5.0\text{ V}$
  2. TCMP = NC

**Figure 11-2. Self-Check Circuit Schematic**

## Section 12. Instruction Set

### 12.1 Contents

12.2	Introduction .....	96
12.3	Addressing Modes .....	96
12.3.1	Inherent .....	97
12.3.2	Immediate.....	97
12.3.3	Direct .....	97
12.3.4	Extended .....	97
12.3.5	Indexed, No Offset .....	98
12.3.6	Indexed, 8-Bit Offset.....	98
12.3.7	Indexed, 16-Bit Offset.....	98
12.3.8	Relative .....	99
12.4	Instruction Types .....	99
12.4.1	Register/Memory Instructions.....	100
12.4.2	Read-Modify-Write Instructions .....	101
12.4.3	Jump/Branch Instructions .....	102
12.4.4	Bit Manipulation Instructions .....	104
12.4.5	Control Instructions .....	105
12.5	Instruction Set Summary .....	106
12.6	Opcode Map .....	111

## 12.2 Introduction

The MCU instruction set has 62 instructions and uses eight addressing modes. The instructions include all those of the M146805 CMOS Family plus one more: the unsigned multiply (MUL) instruction. The MUL instruction allows unsigned multiplication of the contents of the accumulator (A) and the index register (X). The high-order product is stored in the index register, and the low-order product is stored in the accumulator.

## 12.3 Addressing Modes

The CPU uses eight addressing modes for flexibility in accessing data. The addressing modes provide eight different ways for the CPU to find the data required to execute an instruction. The eight addressing modes are:

- Inherent
- Immediate
- Direct
- Extended
- Indexed, no offset
- Indexed, 8-bit offset
- Indexed, 16-bit offset
- Relative



### 12.3.1 Inherent

Inherent instructions are those that have no operand, such as return from interrupt (RTI) and stop (STOP). Some of the inherent instructions act on data in the CPU registers, such as set carry flag (SEC) and increment accumulator (INCA). Inherent instructions require no operand address and are one byte long.

### 12.3.2 Immediate

Immediate instructions are those that contain a value to be used in an operation with the value in the accumulator or index register. Immediate instructions require no operand address and are two bytes long. The opcode is the first byte, and the immediate data value is the second byte.

### 12.3.3 Direct

Direct instructions can access any of the first 256 memory locations with two bytes. The first byte is the opcode, and the second is the low byte of the operand address. In direct addressing, the CPU automatically uses \$00 as the high byte of the operand address.

### 12.3.4 Extended

Extended instructions use three bytes and can access any address in memory. The first byte is the opcode; the second and third bytes are the high and low bytes of the operand address.

When using the Motorola assembler, the programmer does not need to specify whether an instruction is direct or extended. The assembler automatically selects the shortest form of the instruction.

### 12.3.5 Indexed, No Offset

Indexed instructions with no offset are 1-byte instructions that can access data with variable addresses within the first 256 memory locations. The index register contains the low byte of the effective address of the operand. The CPU automatically uses \$00 as the high byte, so these instructions can address locations \$0000–\$00FF.

Indexed, no offset instructions are often used to move a pointer through a table or to hold the address of a frequently used RAM or I/O location.

### 12.3.6 Indexed, 8-Bit Offset

Indexed, 8-bit offset instructions are 2-byte instructions that can access data with variable addresses within the first 511 memory locations. The CPU adds the unsigned byte in the index register to the unsigned byte following the opcode. The sum is the effective address of the operand. These instructions can access locations \$0000–\$01FE.

Indexed 8-bit offset instructions are useful for selecting the *k*th element in an *n*-element table. The table can begin anywhere within the first 256 memory locations and could extend as far as location 510 (\$01FE). The *k* value is typically in the index register, and the address of the beginning of the table is in the byte following the opcode.

### 12.3.7 Indexed, 16-Bit Offset

Indexed, 16-bit offset instructions are 3-byte instructions that can access data with variable addresses at any location in memory. The CPU adds the unsigned byte in the index register to the two unsigned bytes following the opcode. The sum is the effective address of the operand. The first byte after the opcode is the high byte of the 16-bit offset; the second byte is the low byte of the offset.

Indexed, 16-bit offset instructions are useful for selecting the *k*th element in an *n*-element table anywhere in memory.

As with direct and extended addressing, the Motorola assembler determines the shortest form of indexed addressing.

### 12.3.8 Relative

Relative addressing is only for branch instructions. If the branch condition is true, the CPU finds the effective branch destination by adding the signed byte following the opcode to the contents of the program counter. If the branch condition is not true, the CPU goes to the next instruction. The offset is a signed, two's complement byte that gives a branching range of  $-128$  to  $+127$  bytes from the address of the next location after the branch instruction.

When using the Motorola assembler, the programmer does not need to calculate the offset, because the assembler determines the proper offset and verifies that it is within the span of the branch.

## 12.4 Instruction Types

The MCU instructions fall into the following five categories:

- Register/Memory instructions
- Read-Modify-Write instructions
- Jump/Branch instructions
- Bit manipulation instructions
- Control instructions

## 12.4.1 Register/Memory Instructions

These instructions operate on CPU registers and memory locations. Most of them use two operands. One operand is in either the accumulator or the index register. The CPU finds the other operand in memory.

**Table 12-1. Register/Memory Instructions**

Instruction	Mnemonic
Add Memory Byte and Carry Bit to Accumulator	ADC
Add Memory Byte to Accumulator	ADD
AND Memory Byte with Accumulator	AND
Bit Test Accumulator	BIT
Compare Accumulator	CMP
Compare Index Register with Memory Byte	CPX
EXCLUSIVE OR Accumulator with Memory Byte	EOR
Load Accumulator with Memory Byte	LDA
Load Index Register with Memory Byte	LDX
Multiply	MUL
OR Accumulator with Memory Byte	ORA
Subtract Memory Byte and Carry Bit from Accumulator	SBC
Store Accumulator in Memory	STA
Store Index Register in Memory	STX
Subtract Memory Byte from Accumulator	SUB

## 12.4.2 Read-Modify-Write Instructions

These instructions read a memory location or a register, modify its contents, and write the modified value back to the memory location or to the register.

**NOTE:** *Do not use read-modify-write operations on write-only registers.*

**Table 12-2. Read-Modify-Write Instructions**

Instruction	Mnemonic
Arithmetic Shift Left (Same as LSL)	ASL
Arithmetic Shift Right	ASR
Bit Clear	BCLR <sup>(1)</sup>
Bit Set	BSET <sup>(1)</sup>
Clear Register	CLR
Complement (One's Complement)	COM
Decrement	DEC
Increment	INC
Logical Shift Left (Same as ASL)	LSL
Logical Shift Right	LSR
Negate (Two's Complement)	NEG
Rotate Left through Carry Bit	ROL
Rotate Right through Carry Bit	ROR
Test for Negative or Zero	TST <sup>(2)</sup>

1. Unlike other read-modify-write instructions, BCLR and BSET use only direct addressing.
2. TST is an exception to the read-modify-write sequence because it does not write a replacement value.

## 12.4.3 Jump/Branch Instructions

Jump instructions allow the CPU to interrupt the normal sequence of the program counter. The unconditional jump instruction (JMP) and the jump-to-subroutine instruction (JSR) have no register operand. Branch instructions allow the CPU to interrupt the normal sequence of the program counter when a test condition is met. If the test condition is not met, the branch is not performed.

The BRCLR and BRSET instructions cause a branch based on the state of any readable bit in the first 256 memory locations. These 3-byte instructions use a combination of direct addressing and relative addressing. The direct address of the byte to be tested is in the byte following the opcode. The third byte is the signed offset byte. The CPU finds the effective branch destination by adding the third byte to the program counter if the specified bit tests true. The bit to be tested and its condition (set or clear) is part of the opcode. The span of branching is from  $-128$  to  $+127$  from the address of the next location after the branch instruction. The CPU also transfers the tested bit to the carry/borrow bit of the condition code register.

**Table 12-3. Jump and Branch Instructions**

Instruction	Mnemonic
Branch if Carry Bit Clear	BCC
Branch if Carry Bit Set	BCS
Branch if Equal	BEQ
Branch if Half-Carry Bit Clear	BHCC
Branch if Half-Carry Bit Set	BHCS
Branch if Higher	BHI
Branch if Higher or Same	BHS
Branch if $\overline{\text{IRQ}}$ Pin High	BIH
Branch if $\overline{\text{IRQ}}$ Pin Low	BIL
Branch if Lower	BLO
Branch if Lower or Same	BLS
Branch if Interrupt Mask Clear	BMC
Branch if Minus	BMI
Branch if Interrupt Mask Set	BMS
Branch if Not Equal	BNE
Branch if Plus	BPL
Branch Always	BRA
Branch if Bit Clear	BRCLR
Branch Never	BRN
Branch if Bit Set	BRSET
Branch to Subroutine	BSR
Unconditional Jump	JMP
Jump to Subroutine	JSR

## 12.4.4 Bit Manipulation Instructions

The CPU can set or clear any writable bit in the first 256 bytes of memory, which includes I/O registers and on-chip RAM locations. The CPU can also test and branch based on the state of any bit in any of the first 256 memory locations.

**Table 12-4. Bit Manipulation Instructions**

<b>Instruction</b>	<b>Mnemonic</b>
Bit Clear	BCLR
Branch if Bit Clear	BRCLR
Branch if Bit Set	BRSET
Bit Set	BSET



## 12.4.5 Control Instructions

These instructions act on CPU registers and control CPU operation during program execution.

**Table 12-5. Control Instructions**

Instruction	Mnemonic
Clear Carry Bit	CLC
Clear Interrupt Mask	CLI
No Operation	NOP
Reset Stack Pointer	RSP
Return from Interrupt	RTI
Return from Subroutine	RTS
Set Carry Bit	SEC
Set Interrupt Mask	SEI
Stop Oscillator and Enable $\overline{\text{IRQ}}$ Pin	STOP
Software Interrupt	SWI
Transfer Accumulator to Index Register	TAX
Transfer Index Register to Accumulator	TXA
Stop CPU Clock and Enable Interrupts	WAIT

## 12.5 Instruction Set Summary

**Table 12-6. Instruction Set Summary**

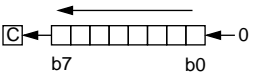
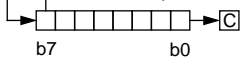
Source Form	Operation	Description	Effect on CCR					Address Mode	Opcode	Operand	Cycles
			H	I	N	Z	C				
ADC #opr ADC opr ADC opr ADC opr,X ADC opr,X ADC ,X	Add with Carry	$A \leftarrow (A) + (M) + (C)$	↕x	—	↕x	↕x	↕x	IMM DIR EXT IX2 IX1 IX	A9 B9 C9 D9 E9 F9	ii dd hh ll ee ff ff	2 3 4 5 4 3
ADD #opr ADD opr ADD opr ADD opr,X ADD opr,X ADD ,X	Add without Carry	$A \leftarrow (A) + (M)$	↕x	—	↕x	↕	↕	IMM DIR EXT IX2 IX1 IX	AB BB CB DB EB FB	ii dd hh ll ee ff ff	2 3 4 5 4 3
AND #opr AND opr AND opr AND opr,X AND opr,X AND ,X	Logical AND	$A \leftarrow (A) \wedge (M)$	—	—	↕x	↕	—	IMM DIR EXT IX2 IX1 IX	A4 B4 C4 D4 E4 F4	ii dd hh ll ee ff ff	2 3 4 5 4 3
ASL opr ASLA ASLX ASL opr,X ASL ,X	Arithmetic Shift Left (Same as LSL)		—	—	↕x	↕	↕	DIR INH INH IX1 IX	38 48 58 68 78	dd ff	5 3 3 6 5
ASR opr ASRA ASRX ASR opr,X ASR ,X	Arithmetic Shift Right		—	—	↕x	↕	↕	DIR INH INH IX1 IX	37 47 57 67 77	dd ff	5 3 3 6 5
BCC rel	Branch if Carry Bit Clear	$PC \leftarrow (PC) + 2 + rel ? C = 0$	—	—	—	—	—	REL	24	rr	3
BCLR n opr	Clear Bit n	$M_n \leftarrow 0$	—	—	—	—	—	DIR (b0) DIR (b1) DIR (b2) DIR (b3) DIR (b4) DIR (b5) DIR (b6) DIR (b7)	11 13 15 17 19 1B 1D 1F	dd dd dd dd dd dd dd dd	5 5 5 5 5 5 5 5
BCS rel	Branch if Carry Bit Set (Same as BLO)	$PC \leftarrow (PC) + 2 + rel ? C = 1$	—	—	—	—	—	REL	25	rr	3
BEQ rel	Branch if Equal	$PC \leftarrow (PC) + 2 + rel ? Z = 1$	—	—	—	—	—	REL	27	rr	3
BHCC rel	Branch if Half-Carry Bit Clear	$PC \leftarrow (PC) + 2 + rel ? H = 0$	—	—	—	—	—	REL	28	rr	3
BHCS rel	Branch if Half-Carry Bit Set	$PC \leftarrow (PC) + 2 + rel ? H = 1$	—	—	—	—	—	REL	29	rr	3

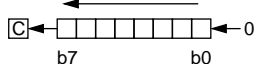
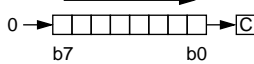
Table 12-6. Instruction Set Summary (Continued)

Source Form	Operation	Description	Effect on CCR					Address Mode	Opcode	Operand	Cycles
			H	I	N	Z	C				
BHI <i>rel</i>	Branch if Higher	$PC \leftarrow (PC) + 2 + rel ? C \vee Z = 0$	—	—	—	—	—	REL	22	rr	3
BHS <i>rel</i>	Branch if Higher or Same	$PC \leftarrow (PC) + 2 + rel ? C = 0$	—	—	—	—	—	REL	24	rr	3
BIH <i>rel</i>	Branch if IRQ Pin High	$PC \leftarrow (PC) + 2 + rel ? IRQ = 1$	—	—	—	—	—	REL	2F	rr	3
BIL <i>rel</i>	Branch if IRQ Pin Low	$PC \leftarrow (PC) + 2 + rel ? IRQ = 0$	—	—	—	—	—	REL	2E	rr	3
BIT # <i>opr</i> BIT <i>opr</i> BIT <i>opr</i> BIT <i>opr,X</i> BIT <i>opr,X</i> BIT , <i>X</i>	Bit Test Accumulator with Memory Byte	$(A) \wedge (M)$	—	—	↕x	↕	—	IMM DIR EXT IX2 IX1 IX	A5 B5 C5 D5 E5 F5	ii dd hh ll ee ff ff	2 3 4 5 4 3
BLO <i>rel</i>	Branch if Lower (Same as BCS)	$PC \leftarrow (PC) + 2 + rel ? C = 1$	—	—	—	—	—	REL	25	rr	3
BLS <i>rel</i>	Branch if Lower or Same	$PC \leftarrow (PC) + 2 + rel ? C \vee Z = 1$	—	—	—	—	—	REL	23	rr	3
BMC <i>rel</i>	Branch if Interrupt Mask Clear	$PC \leftarrow (PC) + 2 + rel ? I = 0$	—	—	—	—	—	REL	2C	rr	3
BMI <i>rel</i>	Branch if Minus	$PC \leftarrow (PC) + 2 + rel ? N = 1$	—	—	—	—	—	REL	2B	rr	3
BMS <i>rel</i>	Branch if Interrupt Mask Set	$PC \leftarrow (PC) + 2 + rel ? I = 1$	—	—	—	—	—	REL	2D	rr	3
BNE <i>rel</i>	Branch if Not Equal	$PC \leftarrow (PC) + 2 + rel ? Z = 0$	—	—	—	—	—	REL	26	rr	3
BPL <i>rel</i>	Branch if Plus	$PC \leftarrow (PC) + 2 + rel ? N = 0$	—	—	—	—	—	REL	2A	rr	3
BRA <i>rel</i>	Branch Always	$PC \leftarrow (PC) + 2 + rel ? 1 = 1$	—	—	—	—	—	REL	20	rr	3
BRCLR <i>n opr rel</i>	Branch if Bit n Clear	$PC \leftarrow (PC) + 2 + rel ? Mn = 0$	—	—	—	—	↕x	DIR (b0) DIR (b1) DIR (b2) DIR (b3) DIR (b4) DIR (b5) DIR (b6) DIR (b7)	01 03 05 07 09 0B 0D 0F	dd rr dd rr dd rr dd rr dd rr dd rr dd rr dd rr	5 5 5 5 5 5 5 5
BRN <i>rel</i>	Branch Never	$PC \leftarrow (PC) + 2 + rel ? 1 = 0$	—	—	—	—	—	REL	21	rr	3
BRSET <i>n opr rel</i>	Branch if Bit n Set	$PC \leftarrow (PC) + 2 + rel ? Mn = 1$	—	—	—	—	✱	DIR (b0) DIR (b1) DIR (b2) DIR (b3) DIR (b4) DIR (b5) DIR (b6) DIR (b7)	00 02 04 06 08 0A 0C 0E	dd rr dd rr dd rr dd rr dd rr dd rr dd rr dd rr	5 5 5 5 5 5 5 5
BSET <i>n opr</i>	Set Bit n	$Mn \leftarrow 1$	—	—	—	—	—	DIR (b0) DIR (b1) DIR (b2) DIR (b3) DIR (b4) DIR (b5) DIR (b6) DIR (b7)	10 12 14 16 18 1A 1C 1E	dd dd dd dd dd dd dd dd	5 5 5 5 5 5 5 5

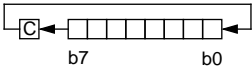
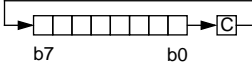
## Table 12-6. Instruction Set Summary (Continued)

Source Form	Operation	Description	Effect on CCR					Address Mode	Opcode	Operand	Cycles
			H	I	N	Z	C				
BSR <i>rel</i>	Branch to Subroutine	PC ← (PC) + 2; push (PCL) SP ← (SP) - 1; push (PCH) SP ← (SP) - 1 PC ← (PC) + <i>rel</i>	—	—	—	—	—	REL	AD	rr	6
CLC	Clear Carry Bit	C ← 0	—	—	—	—	0	INH	98		2
CLI	Clear Interrupt Mask	I ← 0	—	0	—	—	—	INH	9A		2
CLR <i>opr</i> CLRA CLR X CLR <i>opr</i> ,X CLR ,X	Clear Byte	M ← \$00 A ← \$00 X ← \$00 M ← \$00 M ← \$00	—	—	0	1	—	DIR INH INH IX1 IX	3F 4F 5F 6F 7F	dd  ff	5 3 3 6 5
CMP # <i>opr</i> CMP <i>opr</i> CMP <i>opr</i> CMP <i>opr</i> ,X CMP <i>opr</i> ,X CMP ,X	Compare Accumulator with Memory Byte	(A) - (M)	—	—	↓x	↑	↑	IMM DIR EXT IX2 IX1 IX	A1 B1 C1 D1 E1 F1	ii dd hh ll ee ff ff	2 3 4 5 4 3
COM <i>opr</i> COMA COM X COM <i>opr</i> ,X COM ,X	Complement Byte (One's Complement)	M ← (M̄) = \$FF - (M) A ← (Ā) = \$FF - (A) X ← (X̄) = \$FF - (X) M ← (M̄) = \$FF - (M) M ← (M̄) = \$FF - (M)	—	—	↓x	↓x	1	DIR INH INH IX1 IX	33 43 53 63 73	dd  ff	5 3 3 6 5
CPX # <i>opr</i> CPX <i>opr</i> CPX <i>opr</i> CPX <i>opr</i> ,X CPX <i>opr</i> ,X CPX ,X	Compare Index Register with Memory Byte	(X) - (M)	—	—	↓x	×	×	IMM DIR EXT IX2 IX1 IX	A3 B3 C3 D3 E3 F3	ii dd hh ll ee ff ff	2 3 4 5 4 3
DEC <i>opr</i> DECA DEC X DEC <i>opr</i> ,X DEC ,X	Decrement Byte	M ← (M) - 1 A ← (A) - 1 X ← (X) - 1 M ← (M) - 1 M ← (M) - 1	—	—	↓x	↓x	—	DIR INH INH IX1 IX	3A 4A 5A 6A 7A	dd  ff	5 3 3 6 5
EOR # <i>opr</i> EOR <i>opr</i> EOR <i>opr</i> EOR <i>opr</i> ,X EOR <i>opr</i> ,X EOR ,X	EXCLUSIVE OR Accumulator with Memory Byte	A ← (A) ⊕ (M)	—	—	↓x	↑	—	IMM DIR EXT IX2 IX1 IX	A8 B8 C8 D8 E8 F8	ii dd hh ll ee ff ff	2 3 4 5 4 3
INC <i>opr</i> INCA INC X INC <i>opr</i> ,X INC ,X	Increment Byte	M ← (M) + 1 A ← (A) + 1 X ← (X) + 1 M ← (M) + 1 M ← (M) + 1	—	—	↓x	↓x	—	DIR INH INH IX1 IX	3C 4C 5C 6C 7C	dd  ff	5 3 3 6 5

Table 12-6. Instruction Set Summary (Continued)

Source Form	Operation	Description	Effect on CCR					Address Mode	Opcode	Operand	Cycles
			H	I	N	Z	C				
JMP <i>opr</i> JMP <i>opr</i> JMP <i>opr,X</i> JMP <i>opr,X</i> JMP ,X	Unconditional Jump	PC ← Jump Address	—	—	—	—	—	DIR EXT IX2 IX1 IX	BC CC DC EC FC	dd hh ll ee ff ff ff	2 3 4 3 2
JSR <i>opr</i> JSR <i>opr</i> JSR <i>opr,X</i> JSR <i>opr,X</i> JSR ,X	Jump to Subroutine	PC ← (PC) + n (n = 1, 2, or 3) Push (PCL); SP ← (SP) - 1 Push (PCH); SP ← (SP) - 1 PC ← Effective Address	—	—	—	—	—	DIR EXT IX2 IX1 IX	BD CD DD ED FD	dd hh ll ee ff ff ff	5 6 7 6 5
LDA # <i>opr</i> LDA <i>opr</i> LDA <i>opr</i> LDA <i>opr,X</i> LDA <i>opr,X</i> LDA ,X	Load Accumulator with Memory Byte	A ← (M)	—	—	↕x	↕	—	IMM DIR EXT IX2 IX1 IX	A6 B6 C6 D6 E6 F6	ii dd hh ll ee ff ff ff	2 3 4 5 4 3
LDX # <i>opr</i> LDX <i>opr</i> LDX <i>opr</i> LDX <i>opr,X</i> LDX <i>opr,X</i> LDX ,X	Load Index Register with Memory Byte	X ← (M)	—	—	↕x	↕x	—	IMM DIR EXT IX2 IX1 IX	AE BE CE DE EE FE	ii dd hh ll ee ff ff ff	2 3 4 5 4 3
LSL <i>opr</i> LSLA LSLX LSL <i>opr,X</i> LSL ,X	Logical Shift Left (Same as ASL)		—	—	↕x	↕	↕	DIR INH INH IX1 IX	38 48 58 68 78	dd ff ff	5 3 3 6 5
LSR <i>opr</i> LSRA LSRX LSR <i>opr,X</i> LSR ,X	Logical Shift Right		—	—	0	↕	↕	DIR INH INH IX1 IX	34 44 54 64 74	dd ff ff	5 3 3 6 5
MUL	Unsigned Multiply	X : A ← (X) × (A)	0	—	—	—	0	INH	42		11
NEG <i>opr</i> NEGA NEGX NEG <i>opr,X</i> NEG ,X	Negate Byte (Two's Complement)	M ← -(M) = \$00 - (M) A ← -(A) = \$00 - (A) X ← -(X) = \$00 - (X) M ← -(M) = \$00 - (M) M ← -(M) = \$00 - (M)	—	—	↕x	↕	↕	DIR INH INH IX1 IX	30 40 50 60 70	dd ff ff	5 3 3 6 5
NOP	No Operation		—	—	—	—	—	INH	9D		2
ORA # <i>opr</i> ORA <i>opr</i> ORA <i>opr</i> ORA <i>opr,X</i> ORA <i>opr,X</i> ORA ,X	Logical OR Accumulator with Memory	A ← (A) ∨ (M)	—	—	↕x	↕	—	IMM DIR EXT IX2 IX1 IX	AA BA CA DA EA FA	ii dd hh ll ee ff ff ff	2 3 4 5 4 3

## Table 12-6. Instruction Set Summary (Continued)

Source Form	Operation	Description	Effect on CCR					Address Mode	Opcode	Operand	Cycles
			H	I	N	Z	C				
ROL <i>opr</i> ROLA ROLX ROL <i>opr,X</i> ROL ,X	Rotate Byte Left through Carry Bit		—	—	↕x	↕	↕	DIR INH INH IX1 IX	39 49 59 69 79	dd  ff	5 3 3 6 5
ROR <i>opr</i> RORA RORX ROR <i>opr,X</i> ROR ,X	Rotate Byte Right through Carry Bit		—	—	↕x	↕	↕	DIR INH INH IX1 IX	36 46 56 66 76	dd  ff	5 3 3 6 5
RSP	Reset Stack Pointer	SP ← \$00FF	—	—	—	—	—	INH	9C		2
RTI	Return from Interrupt	SP ← (SP) + 1; Pull (CCR) SP ← (SP) + 1; Pull (A) SP ← (SP) + 1; Pull (X) SP ← (SP) + 1; Pull (PCH) SP ← (SP) + 1; Pull (PCL)	↕x	↕	↕	↕	↕	INH	80		9
RTS	Return from Subroutine	SP ← (SP) + 1; Pull (PCH) SP ← (SP) + 1; Pull (PCL)	—	—	—	—	—	INH	81		6
SBC # <i>opr</i> SBC <i>opr</i> SBC <i>opr</i> SBC <i>opr,X</i> SBC <i>opr,X</i> SBC ,X	Subtract Memory Byte and Carry Bit from Accumulator	A ← (A) – (M) – (C)	—	—	⊗	↕	↕	IMM DIR EXT IX2 IX1 IX	A2 B2 C2 D2 E2 F2	ii dd hh ll ee ff ff	2 3 4 5 4 3
SEC	Set Carry Bit	C ← 1	—	—	—	—	1	INH	99		2
SEI	Set Interrupt Mask	I ← 1	—	1	—	—	—	INH	9B		2
STA <i>opr</i> STA <i>opr</i> STA <i>opr,X</i> STA <i>opr,X</i> STA ,X	Store Accumulator in Memory	M ← (A)	—	—	↕x	↕	—	DIR EXT IX2 IX1 IX	B7 C7 D7 E7 F7	dd hh ll ee ff ff	4 5 6 5 4
STOP	Stop Oscillator and Enable IRQ Pin		—	0	—	—	—	INH	8E		2
STX <i>opr</i> STX <i>opr</i> STX <i>opr,X</i> STX <i>opr,X</i> STX ,X	Store Index Register In Memory	M ← (X)	—	—	↕x	↕	—	DIR EXT IX2 IX1 IX	BF CF DF EF FF	dd hh ll ee ff ff	4 5 6 5 4
SUB # <i>opr</i> SUB <i>opr</i> SUB <i>opr</i> SUB <i>opr,X</i> SUB <i>opr,X</i> SUB ,X	Subtract Memory Byte from Accumulator	A ← (A) – (M)	—	—	↕	↕	↕	IMM DIR EXT IX2 IX1 IX	A0 B0 C0 D0 E0 F0	ii dd hh ll ee ff ff	2 3 4 5 4 3

**Table 12-6. Instruction Set Summary (Continued)**

Source Form	Operation	Description	Effect on CCR					Address Mode	Opcode	Operand	Cycles
			H	I	N	Z	C				
SWI	Software Interrupt	PC ← (PC) + 1; Push (PCL) SP ← (SP) - 1; Push (PCH) SP ← (SP) - 1; Push (X) SP ← (SP) - 1; Push (A) SP ← (SP) - 1; Push (CCR) SP ← (SP) - 1; I ← 1 PCH ← Interrupt Vector High Byte PCL ← Interrupt Vector Low Byte	—	1	—	—	—	INH	83		10
TAX	Transfer Accumulator to Index Register	X ← (A)	—	—	—	—	—	INH	97		2
TST <i>opr</i> TSTA TSTX TST <i>opr,X</i> TST ,X	Test Memory Byte for Negative or Zero	(M) - \$00	—	—	↓	↓	—	DIR INH INH IX1 IX	3D 4D 5D 6D 7D	dd  ff	4 3 3 5 4
TXA	Transfer Index Register to Accumulator	A ← (X)	—	—	—	—	—	INH	9F		2
WAIT	Stop CPU Clock and Enable Interrupts		—	0x	—	—	—	INH	8F		2

- |       |   |            |                                      |
|-------|---|------------|--------------------------------------|
| A     | Accumulator   | <i>opr</i> | Operand (one or two bytes)           |
| C     | Carry/borrow flag   | PC         | Program counter                      |
| CCR   | Condition code register   | PCH        | Program counter high byte            |
| dd    | Direct address of operand   | PCL        | Program counter low byte             |
| dd rr | Direct address of operand and relative offset of branch instruction | REL        | Relative addressing mode             |
| DIR   | Direct addressing mode  | <i>rel</i> | Relative program counter offset byte |
| ee ff | High and low bytes of offset in indexed, 16-bit offset addressing   | rr         | Relative program counter offset byte |
| EXT   | Extended addressing mode  | SP         | Stack pointer                        |
| ff    | Offset byte in indexed, 8-bit offset addressing                     | X          | Index register                       |
| H     | Half-carry flag   | Z          | Zero flag                            |
| hh ll | High and low bytes of operand address in extended addressing        | #          | Immediate value                      |
| I     | Interrupt mask  | ^          | Logical AND                          |
| ii    | Immediate operand byte  | v          | Logical OR                           |
| IMM   | Immediate addressing mode   | ⊕          | Logical EXCLUSIVE OR                 |
| INH   | Inherent addressing mode  | ()         | Contents of                          |
| IX    | Indexed, no offset addressing mode                                  | -( )       | Negation (two's complement)          |
| IX1   | Indexed, 8-bit offset addressing mode                               | ←          | Loaded with                          |
| IX2   | Indexed, 16-bit offset addressing mode                              | ?          | If                                   |
| M     | Memory location   | :          | Concatenated with                    |
| N     | Negative flag   | ↑          | Set or cleared                       |
| n     | Any bit   | —          | Not affected                         |

## 12.6 Opcode Map

See [Table 12-7](#).

**Table 12-7. Opcode Map**

		Bit Manipulation		Branch	Read-Modify-Write				Control		Register/Memory									
		DIR	DIR	REL	DIR	INH	INH	IX1	IX	INH	INH	IMM	DIR	EXT	IX2	IX1	IX			
MSB	LSB	0	1	2	3	4	5	6	7	8	9	A	B	C	D	E	F	MSB	LSB	
0		BRSET0 <sup>5</sup> <sub>3</sub> DIR <sub>2</sub>	BSET0 <sup>5</sup> <sub>2</sub> DIR <sub>2</sub>	BRA <sup>3</sup> REL <sub>2</sub>	NEG <sup>5</sup> DIR <sub>1</sub>	NEGA <sup>3</sup> INH <sub>1</sub>	NEGX <sup>3</sup> INH <sub>2</sub>	NEG <sup>6</sup> IX1 <sub>1</sub>	NEG <sup>5</sup> IX <sub>1</sub>	RTI <sup>9</sup> INH		SUB <sup>2</sup> IMM <sub>2</sub>	SUB <sup>3</sup> DIR <sub>3</sub>	SUB <sup>4</sup> EXT <sub>3</sub>	SUB <sup>5</sup> IX2 <sub>2</sub>	SUB <sup>4</sup> IX1 <sub>1</sub>	SUB <sup>3</sup> IX <sub>1</sub>	0		
1		BRCLR0 <sup>5</sup> <sub>3</sub> DIR <sub>2</sub>	BCLR0 <sup>5</sup> <sub>2</sub> DIR <sub>2</sub>	BRN <sup>3</sup> REL						RTS <sup>6</sup> INH <sub>1</sub>		CMP <sup>2</sup> IMM <sub>2</sub>	CMP <sup>3</sup> DIR <sub>3</sub>	CMP <sup>4</sup> EXT <sub>3</sub>	CMP <sup>5</sup> IX2 <sub>2</sub>	CMP <sup>4</sup> IX1 <sub>1</sub>	CMP <sup>3</sup> IX <sub>1</sub>	1		
2		BRSET1 <sup>5</sup> <sub>3</sub> DIR <sub>2</sub>	BSET1 <sup>5</sup> <sub>2</sub> DIR <sub>2</sub>	BHI <sup>3</sup> REL		MUL <sup>11</sup> INH <sub>1</sub>						SBC <sup>2</sup> IMM <sub>2</sub>	SBC <sup>3</sup> DIR <sub>3</sub>	SBC <sup>4</sup> EXT <sub>3</sub>	SBC <sup>5</sup> IX2 <sub>2</sub>	SBC <sup>4</sup> IX1 <sub>1</sub>	SBC <sup>3</sup> IX <sub>1</sub>	2		
3		BRCLR1 <sup>5</sup> <sub>3</sub> DIR <sub>2</sub>	BCLR1 <sup>5</sup> <sub>2</sub> DIR <sub>2</sub>	BLS <sup>3</sup> REL <sub>2</sub>	COM <sup>5</sup> DIR <sub>1</sub>	COMA <sup>3</sup> INH <sub>1</sub>	COMX <sup>3</sup> INH <sub>2</sub>	COM <sup>6</sup> IX1 <sub>1</sub>	COM <sup>5</sup> IX <sub>1</sub>	SWI <sup>10</sup> INH		CPX <sup>2</sup> IMM <sub>2</sub>	CPX <sup>3</sup> DIR <sub>3</sub>	CPX <sup>4</sup> EXT <sub>3</sub>	CPX <sup>5</sup> IX2 <sub>2</sub>	CPX <sup>4</sup> IX1 <sub>1</sub>	CPX <sup>3</sup> IX <sub>1</sub>	3		
4		BRSET2 <sup>5</sup> <sub>3</sub> DIR <sub>2</sub>	BSET2 <sup>5</sup> <sub>2</sub> DIR <sub>2</sub>	BCC <sup>3</sup> REL <sub>2</sub>	LSR <sup>5</sup> DIR <sub>1</sub>	LSRA <sup>3</sup> INH <sub>1</sub>	LSRX <sup>3</sup> INH <sub>2</sub>	LSR <sup>6</sup> IX1 <sub>1</sub>	LSR <sup>5</sup> IX <sub>1</sub>			AND <sup>2</sup> IMM <sub>2</sub>	AND <sup>3</sup> DIR <sub>3</sub>	AND <sup>4</sup> EXT <sub>3</sub>	AND <sup>5</sup> IX2 <sub>2</sub>	AND <sup>4</sup> IX1 <sub>1</sub>	AND <sup>3</sup> IX <sub>1</sub>	4		
5		BRCLR2 <sup>5</sup> <sub>3</sub> DIR <sub>2</sub>	BCLR2 <sup>5</sup> <sub>2</sub> DIR <sub>2</sub>	BCS/BLO <sup>3</sup> REL								BIT <sup>2</sup> IMM <sub>2</sub>	BIT <sup>3</sup> DIR <sub>3</sub>	BIT <sup>4</sup> EXT <sub>3</sub>	BIT <sup>5</sup> IX2 <sub>2</sub>	BIT <sup>4</sup> IX1 <sub>1</sub>	BIT <sup>3</sup> IX <sub>1</sub>	5		
6		BRSET3 <sup>5</sup> <sub>3</sub> DIR <sub>2</sub>	BSET3 <sup>5</sup> <sub>2</sub> DIR <sub>2</sub>	BNE <sup>3</sup> REL <sub>2</sub>	ROR <sup>5</sup> DIR <sub>1</sub>	RORA <sup>3</sup> INH <sub>1</sub>	RORX <sup>3</sup> INH <sub>2</sub>	ROR <sup>6</sup> IX1 <sub>1</sub>	ROR <sup>5</sup> IX <sub>1</sub>			LDA <sup>2</sup> IMM <sub>2</sub>	LDA <sup>3</sup> DIR <sub>3</sub>	LDA <sup>4</sup> EXT <sub>3</sub>	LDA <sup>5</sup> IX2 <sub>2</sub>	LDA <sup>4</sup> IX1 <sub>1</sub>	LDA <sup>3</sup> IX <sub>1</sub>	6		
7		BRCLR3 <sup>5</sup> <sub>3</sub> DIR <sub>2</sub>	BCLR3 <sup>5</sup> <sub>2</sub> DIR <sub>2</sub>	BEQ <sup>3</sup> REL <sub>2</sub>	ASR <sup>5</sup> DIR <sub>1</sub>	ASRA <sup>3</sup> INH <sub>1</sub>	ASRX <sup>3</sup> INH <sub>2</sub>	ASR <sup>6</sup> IX1 <sub>1</sub>	ASR <sup>5</sup> IX <sub>1</sub>	TAX <sup>2</sup> INH <sub>1</sub>		STA <sup>4</sup> DIR <sub>3</sub>	STA <sup>5</sup> EXT <sub>3</sub>	STA <sup>6</sup> IX2 <sub>2</sub>	STA <sup>5</sup> IX1 <sub>1</sub>	STA <sup>4</sup> IX <sub>1</sub>	7			
8		BRSET4 <sup>5</sup> <sub>3</sub> DIR <sub>2</sub>	BSET4 <sup>5</sup> <sub>2</sub> DIR <sub>2</sub>	BHCC <sup>3</sup> REL <sub>2</sub>	ASL/LSL <sup>5</sup> DIR <sub>1</sub>	ASLA/LSLA <sup>3</sup> INH <sub>1</sub>	ASLX/LSLX <sup>3</sup> INH <sub>2</sub>	ASL/LSL <sup>6</sup> IX1 <sub>1</sub>	ASL/LSL <sup>5</sup> IX <sub>1</sub>			CLC <sup>2</sup> INH <sub>1</sub>	EOR <sup>2</sup> IMM <sub>2</sub>	EOR <sup>3</sup> DIR <sub>3</sub>	EOR <sup>4</sup> EXT <sub>3</sub>	EOR <sup>5</sup> IX2 <sub>2</sub>	EOR <sup>4</sup> IX1 <sub>1</sub>	EOR <sup>3</sup> IX <sub>1</sub>	8	
9		BRCLR4 <sup>5</sup> <sub>3</sub> DIR <sub>2</sub>	BCLR4 <sup>5</sup> <sub>2</sub> DIR <sub>2</sub>	BHCS <sup>3</sup> REL <sub>2</sub>	ROL <sup>5</sup> DIR <sub>1</sub>	ROLA <sup>3</sup> INH <sub>1</sub>	ROLX <sup>3</sup> INH <sub>2</sub>	ROL <sup>6</sup> IX1 <sub>1</sub>	ROL <sup>5</sup> IX <sub>1</sub>			SEC <sup>2</sup> INH <sub>1</sub>	ADC <sup>2</sup> IMM <sub>2</sub>	ADC <sup>3</sup> DIR <sub>3</sub>	ADC <sup>4</sup> EXT <sub>3</sub>	ADC <sup>5</sup> IX2 <sub>2</sub>	ADC <sup>4</sup> IX1 <sub>1</sub>	ADC <sup>3</sup> IX <sub>1</sub>	9	
A		BRSET5 <sup>5</sup> <sub>3</sub> DIR <sub>2</sub>	BSET5 <sup>5</sup> <sub>2</sub> DIR <sub>2</sub>	BPL <sup>3</sup> REL <sub>2</sub>	DEC <sup>5</sup> DIR <sub>1</sub>	DECA <sup>3</sup> INH <sub>1</sub>	DECX <sup>3</sup> INH <sub>2</sub>	DEC <sup>6</sup> IX1 <sub>1</sub>	DEC <sup>5</sup> IX <sub>1</sub>			CLI <sup>2</sup> INH <sub>1</sub>	ORA <sup>2</sup> IMM <sub>2</sub>	ORA <sup>3</sup> DIR <sub>3</sub>	ORA <sup>4</sup> EXT <sub>3</sub>	ORA <sup>5</sup> IX2 <sub>2</sub>	ORA <sup>4</sup> IX1 <sub>1</sub>	ORA <sup>3</sup> IX <sub>1</sub>	A	
B		BRCLR5 <sup>5</sup> <sub>3</sub> DIR <sub>2</sub>	BCLR5 <sup>5</sup> <sub>2</sub> DIR <sub>2</sub>	BMI <sup>3</sup> REL								SEI <sup>2</sup> INH <sub>1</sub>	ADD <sup>2</sup> IMM <sub>2</sub>	ADD <sup>3</sup> DIR <sub>3</sub>	ADD <sup>4</sup> EXT <sub>3</sub>	ADD <sup>5</sup> IX2 <sub>2</sub>	ADD <sup>4</sup> IX1 <sub>1</sub>	ADD <sup>3</sup> IX <sub>1</sub>	B	
C		BRSET6 <sup>5</sup> <sub>3</sub> DIR <sub>2</sub>	BSET6 <sup>5</sup> <sub>2</sub> DIR <sub>2</sub>	BMC <sup>3</sup> REL <sub>2</sub>	INC <sup>5</sup> DIR <sub>1</sub>	INCA <sup>3</sup> INH <sub>1</sub>	INCX <sup>3</sup> INH <sub>2</sub>	INC <sup>6</sup> IX1 <sub>1</sub>	INC <sup>5</sup> IX <sub>1</sub>			RSP <sup>2</sup> INH <sub>1</sub>		JMP <sup>2</sup> DIR <sub>3</sub>	JMP <sup>3</sup> EXT <sub>3</sub>	JMP <sup>4</sup> IX2 <sub>2</sub>	JMP <sup>3</sup> IX1 <sub>1</sub>	JMP <sup>2</sup> IX <sub>1</sub>	C	
D		BRCLR6 <sup>5</sup> <sub>3</sub> DIR <sub>2</sub>	BCLR6 <sup>5</sup> <sub>2</sub> DIR <sub>2</sub>	BMS <sup>3</sup> REL <sub>2</sub>	TST <sup>4</sup> DIR <sub>1</sub>	TSTA <sup>3</sup> INH <sub>1</sub>	TSTX <sup>3</sup> INH <sub>2</sub>	TST <sup>5</sup> IX1 <sub>1</sub>	TST <sup>4</sup> IX <sub>1</sub>			NOP <sup>2</sup> INH <sub>1</sub>	BSR <sup>6</sup> REL <sub>2</sub>	JSR <sup>5</sup> DIR <sub>3</sub>	JSR <sup>6</sup> EXT <sub>3</sub>	JSR <sup>7</sup> IX2 <sub>2</sub>	JSR <sup>6</sup> IX1 <sub>1</sub>	JSR <sup>5</sup> IX <sub>1</sub>	D	
E		BRSET7 <sup>5</sup> <sub>3</sub> DIR <sub>2</sub>	BSET7 <sup>5</sup> <sub>2</sub> DIR <sub>2</sub>	BIL <sup>3</sup> REL						STOP <sup>2</sup> INH <sub>1</sub>		LDX <sup>2</sup> IMM <sub>2</sub>	LDX <sup>3</sup> DIR <sub>3</sub>	LDX <sup>4</sup> EXT <sub>3</sub>	LDX <sup>5</sup> IX2 <sub>2</sub>	LDX <sup>4</sup> IX1 <sub>1</sub>	LDX <sup>3</sup> IX <sub>1</sub>	E		
F		BRCLR7 <sup>5</sup> <sub>3</sub> DIR <sub>2</sub>	BCLR7 <sup>5</sup> <sub>2</sub> DIR <sub>2</sub>	BIH <sup>3</sup> REL <sub>2</sub>	CLR <sup>5</sup> DIR <sub>1</sub>	CLRA <sup>3</sup> INH <sub>1</sub>	CLR <sup>3</sup> INH <sub>2</sub>	CLR <sup>6</sup> IX1 <sub>1</sub>	CLR <sup>5</sup> IX <sub>1</sub>	WAIT <sup>2</sup> INH <sub>1</sub>	TXA <sup>2</sup> INH <sub>1</sub>		STX <sup>4</sup> DIR <sub>3</sub>	STX <sup>5</sup> EXT <sub>3</sub>	STX <sup>6</sup> IX2 <sub>2</sub>	STX <sup>5</sup> IX1 <sub>1</sub>	STX <sup>4</sup> IX <sub>1</sub>	F		

INH = Inherent  
 IMM = Immediate  
 DIR = Direct  
 EXT = Extended

REL = Relative  
 IX = Indexed, No Offset  
 IX1 = Indexed, 8-Bit Offset  
 IX2 = Indexed, 16-Bit Offset

LSB of Opcode in Hexadecimal

MSB	0
LSB	BRSET0 <sup>5</sup> <sub>3</sub> DIR

MSB of Opcode in Hexadecimal

Number of Cycles  
 Opcode Mnemonic  
 Number of Bytes/Addressing Mode



## Section 13. Electrical Specifications

### 13.1 Contents

13.2	Introduction .....	113
13.3	Maximum Ratings .....	114
13.4	Operating Temperature Range .....	115
13.5	Thermal Characteristics .....	115
13.6	Power Considerations .....	116
13.7	5.0 V DC Electrical Characteristics .....	118
13.8	3.3 V DC Electrical Characteristics .....	119
13.9	5.0 V Control Timing .....	122
13.10	3.3 V Control Timing .....	123
13.11	5.0 V Serial Peripheral Interface Timing .....	126
13.12	3.3 V Serial Peripheral Interface Timing .....	127

### 13.2 Introduction

This section contains electrical and timing specifications.

## 13.3 Maximum Ratings

Maximum ratings are the extreme limits to which the MCU can be exposed without permanently damaging it.

The MCU contains circuitry to protect the inputs against damage from high static voltages; however, do not apply voltages higher than those shown in the table below. Keep  $V_{IN}$  and  $V_{OUT}$  within the range  $V_{SS} \leq (V_{IN} \text{ or } V_{OUT}) \leq V_{DD}$ . Connect unused inputs to the appropriate voltage level, either  $V_{SS}$  or  $V_{DD}$ .

Rating	Symbol	Value	Unit
Supply Voltage	$V_{DD}$	-0.3 to +7.0	V
Current Drain Per Pin, Excluding $V_{DD}$ and $V_{SS}$	I	25	mA
$\overline{IRQ}$ Pin Only		$V_{SS} - 0.3$ to $2 \times V_{DD} + 0.3$	V
Storage Temperature Range	$T_{STG}$	-65 to +150	°C

**NOTE:** *This device is not guaranteed to operate properly at the maximum ratings. Refer to [13.7 5.0 V DC Electrical Characteristics](#) and [13.8 3.3 V DC Electrical Characteristics](#) for guaranteed operating conditions.*

## 13.4 Operating Temperature Range

Characteristic	Symbol	Value	Unit
Operating Temperature Range MC68HC05C4AP, FN, B, FB MC68HC05C4ACP, CFN, CB, CFB	$T_A$	$T_L$ to $T_H$ 0 to +70 -40 to +85	$^{\circ}\text{C}$

NOTES:

1. P = Plastic dual in-line package (PDIP)
2. FN = Plastic-leaded chip carrier (PLCC)
3. C = Extended temperature range ( $-40^{\circ}\text{C}$  to  $+85^{\circ}\text{C}$ )
4. B = Shrink dual in-line-package (SDIP)
5. FB = Quad flat pack (QFP)

## 13.5 Thermal Characteristics

Characteristic	Symbol	Value	Unit
Thermal Resistance			
Plastic Dual In-Line Package (PDIP)	$\theta_{JA}$	60	$^{\circ}\text{C}/\text{W}$
Plastic Leaded Chip Carrier (PLCC)		70	
Quad Flat Pack (QFP)		95	
Plastic Shrink Dual In-Line Package (SDIP)		60	

## 13.6 Power Considerations

The average chip-junction temperature,  $T_J$ , in °C, can be obtained from:

$$T_J = T_A + (P_D \times \theta_{JA}) \quad (1)$$

Where:

$T_A$  = Ambient temperature, °C

$\theta_{JA}$  = Package thermal resistance, junction to ambient, °C/W.

$P_D = P_{INT} + P_{I/O}$

$P_{INT} = I_{DD} \times V_{DD}$  watts (chip internal power)

$P_{I/O}$  = Power dissipation on input and output pins (user-determined)

For most applications,  $P_{I/O} \ll P_{INT}$  and can be neglected.

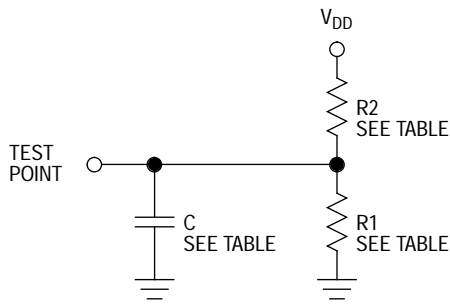
Following is an approximate relationship between  $P_D$  and  $T_J$  neglecting  $P_{I/O}$ :

$$P_D = K \div (T_J + 273 \text{ °C}) \quad (2)$$

Solving equations (1) and (2) for K gives:

$$K = P_D \times (T_A + 273 \text{ °C}) + \theta_{JA} \times (P_D)^2 \quad (3)$$

where K is a constant pertaining to the particular part. K can be determined from equation (3) by measuring  $P_D$  (at equilibrium) for a known  $T_A$ . Using this value of K, the values of  $P_D$  and  $T_J$  can be obtained by solving equations (1) and (2) iteratively for any value of  $T_A$ .



$V_{DD} = 4.5\text{ V}$

Pins	R1	R2	C
PA7–PA0 PB7–PB0 PC7–PC0 PD5–PD0, PD7	3.26 $\Omega$	2.38 $\Omega$	50 pF

$V_{DD} = 3.0\text{ V}$

Pins	R1	R2	C
PA7–PA0 PB7–PB0 PC7–PC0 PD5–PD0, PD7	10.91 $\Omega$	6.32 $\Omega$	50 pF

**Figure 13-1. Test Load**

## 13.7 5.0 V DC Electrical Characteristics

Characteristic (Note 2)	Symbol	Min	Typ	Max	Unit
Output Voltage $I_{Load} = 10.0 \mu A$ $I_{Load} = -10.0 \mu A$	$V_{OL}$ $V_{OH}$	— $V_{DD}-0.1$	— —	0.1 —	V
Output High Voltage ( $I_{Load} = -0.8 \text{ mA}$ ) PA7–PA0, PB7–PB0, PC6–PC0, TCMP ( $I_{Load} = -1.6 \text{ mA}$ ) PD4–PD1 ( $I_{Load} = -5.0 \text{ mA}$ ) PC7	$V_{OH}$	$V_{DD}-0.8$ $V_{DD}-0.8$ $V_{DD}-0.8$	— — —	— — —	V
Output Low Voltage ( $I_{Load} = 1.6 \text{ mA}$ ) PA7–PA0, PB7–PB0, PC6–PC0, PD4–PD1, TCMP ( $I_{Load} = 10 \text{ mA}$ ) PC7	$V_{OL}$	— —	— —	0.4 0.4	V
Input High Voltage PA7–PA0, PB7–PB0, PC7–PC0, PD7, PD5–PD0, TCAP, $\overline{IRQ}$ , $\overline{RESET}$ , OSC1	$V_{IH}$	$0.7 \times V_{DD}$	—	$V_{DD}$	V
Input Low Voltage PA7–PA0, PB7–PB0, PC7–PC0, PD7, PD5–PD0, TCAP, $\overline{IRQ}$ , $\overline{RESET}$ , OSC1	$V_{IL}$	$V_{SS}$	—	$0.2 \times V_{DD}$	V
Supply Current (4.5–5.5 Vdc @ $F_{Bus} = 2.1 \text{ MHz}$ ) Run (Note 3) Wait (Note 4) Stop (Note 5) 25 °C 0 °C to 70 °C (Standard) –40 °C to +85 °C (Standard)	$I_{DD}$	— — — — —	3.50 1.00 1 — —	5.25 3.25 20 40 50	mA mA $\mu A$ $\mu A$ $\mu A$
I/O Ports Hi-Z Leakage Current PA7–PA0, PB7–PB0 (Without Pullup) PC7–PC0, PD7, PD5–PD0	$I_{oz}$	—	—	$\pm 10$	$\mu A$
Input Current $\overline{RESET}$ , $\overline{IRQ}$ , OSC1, TCAP, PD7, PD5–PD0	$I_{In}$	—	—	$\pm 1$	$\mu A$
Input Pullup Current (Note 6) PB7–PB0 (With Pullup)	$I_{In}$	60	140	300	$\mu A$
Capacitance Ports (as Input or Output) $\overline{RESET}$ , $\overline{IRQ}$ , OSC1, TCAP, PD7, PD5, PD0	$C_{Out}$ $C_{In}$	— —	— —	12 8	pF

### NOTES:

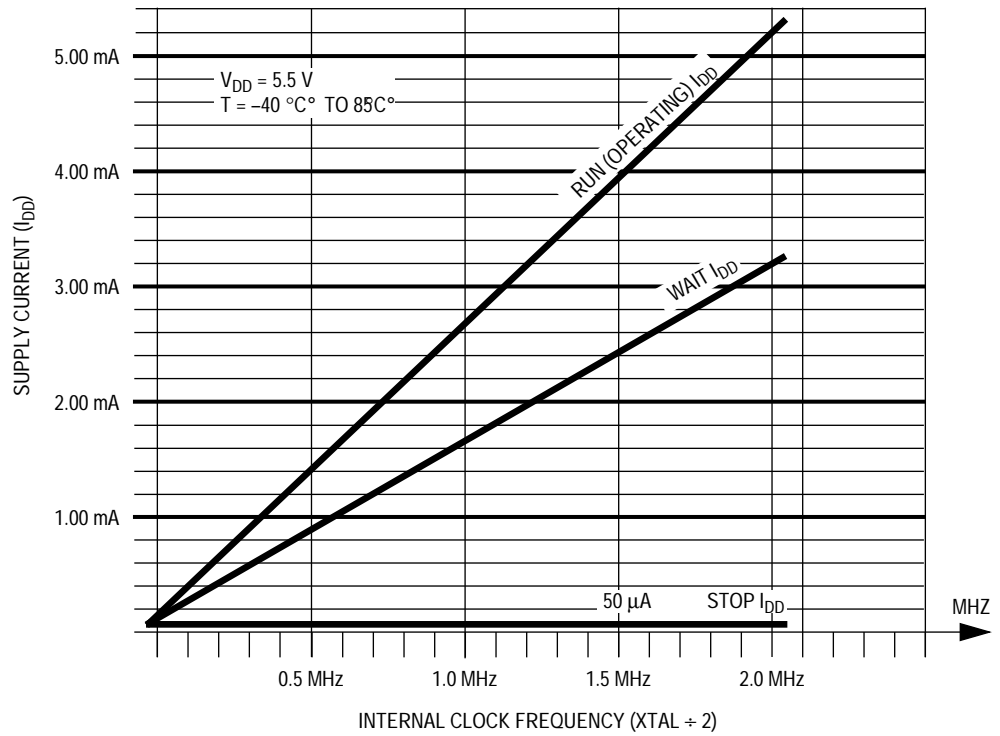
- $V_{DD} = 5.0 \text{ Vdc} \pm 10\%$ ,  $V_{SS} = 0 \text{ Vdc}$ ,  $T_A = -40 \text{ }^\circ\text{C}$  to  $+85 \text{ }^\circ\text{C}$ , unless otherwise noted.
- Typical values reflect measurements taken on average processed devices at the midpoint of voltage range, 25 °C only.
- Run (operating)  $I_{DD}$  measured using external square wave clock source; all I/O pins configured as inputs, port B =  $V_{DD}$ , all other inputs  $V_{IL} = 0.2 \text{ V}$ ,  $V_{IH} = V_{DD}-0.2 \text{ V}$ ; no DC loads; less than 50 pF on all outputs;  $C_L = 20 \text{ pF}$  on OSC2.
- Wait  $I_{DD}$  measured using external square wave clock source; all I/O pins configured as inputs, port B =  $V_{DD}$ , all other inputs  $V_{IL} = 0.2 \text{ V}$ ,  $V_{IH} = V_{DD}-0.2 \text{ V}$ ; no DC loads; less than 50 pF on all outputs;  $C_L = 20 \text{ pF}$  on OSC2. Wait  $I_{DD}$  is affected linearly by the OSC2 capacitance.
- Stop  $I_{DD}$  measured with OSC1 = 0.2 V; all I/O pins configured as inputs, port B =  $V_{DD}$ , all other inputs  $V_{IL} = 0.2 \text{ V}$ ,  $V_{IH} = V_{DD}-0.2 \text{ V}$ .
- Input pullup current measured with  $V_{IL} = 0.2 \text{ V}$ .

## 13.8 3.3 V DC Electrical Characteristics

Characteristic (Note 2)	Symbol	Min	Typ	Max	Unit
Output Voltage $I_{Load} = 10.0 \mu A$ $I_{Load} = -10.0 \mu A$	$V_{OL}$ $V_{OH}$	— $V_{DD}-0.1$	— —	0.1 —	V
Output High Voltage ( $I_{Load} = -0.2 \text{ mA}$ ) PA7–PA0, PB7–PB0, PC6–PC0, TCMP ( $I_{Load} = -0.4 \text{ mA}$ ) PD4–PD1 ( $I_{Load} = -1.5 \text{ mA}$ ) PC7	$V_{OH}$	$V_{DD}-0.3$ $V_{DD}-0.3$ $V_{DD}-0.3$	— — —	— — —	V
Output Low Voltage ( $I_{Load} = 0.4 \text{ mA}$ ) PA7–PA0, PB7–PB0, PC6–PC0, PD4–PD1, TCMP ( $I_{Load} = 6 \text{ mA}$ ) PC7	$V_{OL}$	— —	— —	0.3 0.3	V
Input High Voltage PA7–PA0, PB7–PB0, PC7–PC0, PD7, PD5–PD0, TCAP, $\overline{IRQ}$ , $\overline{RESET}$ , OSC1	$V_{IH}$	$0.7 \times V_{DD}$	—	$V_{DD}$	V
Input Low Voltage PA7–PA0, PB7–PB0, PC7–PC0, PD7, PD5–PD0, TCAP, $\overline{IRQ}$ , $\overline{RESET}$ , OSC1	$V_{IL}$	$V_{SS}$	—	$0.2 \times V_{DD}$	V
Supply Current (3.0–3.6 Vdc @ $f_{Bus} = 1.0 \text{ MHz}$ ) Run (Note 3) Wait (Note 4) Stop (Note 5) 25 °C 0 °C to +70 °C (Standard) –40 °C to +85 °C (Standard)	$I_{DD}$	— — — — —	1.00 500 1 — —	1.60 900 8 16 20	mA $\mu A$ $\mu A$ $\mu A$ $\mu A$
I/O Ports Hi-Z Leakage Current PA7–PA0, PB7–PB0 (Without Pullup) PC7–PC0, PD7, PD5–PD0	$I_{OZ}$	—	—	$\pm 10$	$\mu A$
Input Current $\overline{RESET}$ , $\overline{IRQ}$ , OSC1, TCAP, PD7, PD5, PD0	$I_{In}$	—	—	$\pm 1$	$\mu A$
Input Pullup Current (Note 6) PB7–PB0 (With Pullup)	$I_{In}$	25	65	140	$\mu A$
Capacitance Ports (as Input or Output) $\overline{RESET}$ , $\overline{IRQ}$ , OSC1, TCAP, PD7, PD5, PD0	$C_{Out}$ $C_{In}$	— —	— —	12 8	pF

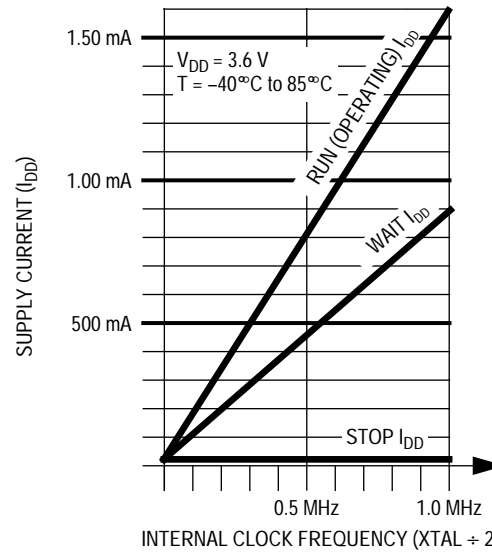
### NOTES:

- $V_{DD} = 3.3 \text{ Vdc} \pm 0.3 \text{ Vdc}$ ,  $V_{SS} = 0 \text{ Vdc}$ ,  $T_A = -40 \text{ }^\circ\text{C}$  to  $+85 \text{ }^\circ\text{C}$ , unless otherwise noted.
- Typical values reflect measurements taken on average processed devices at the midpoint of voltage range, 25 °C only.
- Run (operating)  $I_{DD}$  measured using external square wave clock source; all I/O pins configured as inputs, port B =  $V_{DD}$ , all other inputs  $V_{IL} = 0.2 \text{ V}$ ,  $V_{IH} = V_{DD} - 0.2 \text{ V}$ ; no DC loads; less than 50 pF on all outputs;  $C_L = 20 \text{ pF}$  on OSC2.
- Wait  $I_{DD}$  measured using external square wave clock source; all I/O pins configured as inputs, port B =  $V_{DD}$ , all other inputs  $V_{IL} = 0.2 \text{ V}$ ,  $V_{IH} = V_{DD} - 0.2 \text{ V}$ ; no DC loads; less than 50 pF on all outputs;  $C_L = 20 \text{ pF}$  on OSC2. Wait  $I_{DD}$  is affected linearly by the OSC2 capacitance.
- Stop  $I_{DD}$  measured with OSC1 = 0.2 V; all I/O pins configured as inputs, port B =  $V_{DD}$ , all other inputs  $V_{IL} = 0.2 \text{ V}$ ,  $V_{IH} = V_{DD} - 0.2 \text{ V}$ .
- Input pullup current measured with  $V_{IL} = 0.2 \text{ V}$ .



**Figure 13-2. Maximum Supply Current Versus Internal Clock Frequency,  $V_{DD} = 5.5 \text{ V}$**





**Figure 13-3. Maximum Supply Current Versus Internal Clock Frequency,  $V_{DD} = 3.6\text{ V}$**

## 13.9 5.0 V Control Timing

Characteristic	Symbol	Min	Max	Unit
Oscillator Frequency Crystal External Clock	$f_{osc}$	— dc	4.2 4.2	MHz
Cycle Time Crystal External Clock	$f_{op}$	— dc	2.1 2.1	MHz
Internal Clock Cycle Time	$t_{cyc}$	480	—	ns
Crystal Oscillator Startup Time	$t_{oxov}$		100	ms
Stop Recovery Startup Time (Crystal Oscillator)	$t_{ilch}$		100	ms
RESET Pulse Width	$t_{rl}$	1.5	—	$t_{cyc}$
Timer Resolution (Note 2) Input Capture Pulse Width Input Capture Pulse Period	$t_{resl}$ $t_{TH}, t_{TL}$ $t_{TLTL}$	4.0 125 Note 3	— — —	$t_{cyc}$ ns $t_{cyc}$
Interrupt Pulse Width Low (Edge-Triggered)	$t_{lLIL}$	125	—	ns
Interrupt Pulse Period	$t_{lLIL}$	Note 4	—	$t_{cyc}$
OSC1 Pulse Width	$t_{OH}, t_{OL}$	90	—	ns

### NOTES:

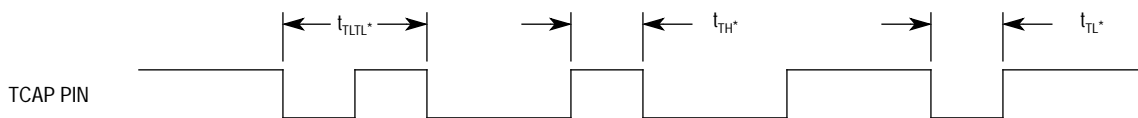
- $V_{DD} = 5.0 \text{ Vdc} \pm 0.3 \text{ Vdc}$ ,  $V_{SS} = 0 \text{ Vdc}$ ,  $T_A = -40 \text{ }^\circ\text{C}$  to  $+85 \text{ }^\circ\text{C}$ , unless otherwise noted.
- Because a 2-bit prescaler in the timer must count four internal cycles ( $t_{cyc}$ ), this is the limiting minimum factor in determining the timer resolution.
- The minimum period,  $t_{TLTL}$ , should not be less than the number of cycle times it takes to execute the capture interrupt service routine plus  $24 t_{cyc}$ .
- The minimum,  $t_{lLIL}$ , should not be less than the number of cycle times it takes to execute the interrupt service routine plus  $19 t_{cyc}$ .

### 13.10 3.3 V Control Timing

Characteristic	Symbol	Min	Max	Unit
Oscillator Frequency Crystal External Clock	$f_{osc}$	— dc	2.0 2.0	MHz
Internal Operating Frequency Crystal External Clock	$f_{op}$	— dc	1.0 1.0	MHz
Internal Clock Cycle Time	$t_{cyc}$	1000	—	ns
Crystal Oscillator Startup Time	$t_{oxov}$		100	ms
Stop Recovery Startup Time (Crystal Oscillator)	$t_{ilch}$		100	ms
RESET Pulse Width	$t_{rl}$	1.5	—	$t_{cyc}$
Timer Resolution (Note 2) Input Capture Pulse Width Input Capture Pulse Period	$t_{resl}$ $t_{TH}, t_{TL}$ $t_{TLTL}$	4.0 250 Note 3	— — —	$t_{cyc}$ ns $t_{cyc}$
Interrupt Pulse Width Low (Edge-Triggered)	$t_{ILIH}$	250	—	ns
Interrupt Pulse Period	$t_{ILIL}$	Note 4	—	$t_{cyc}$
OSC1 Pulse Width	$t_{OH}, t_{OL}$	200	—	ns

**NOTES:**

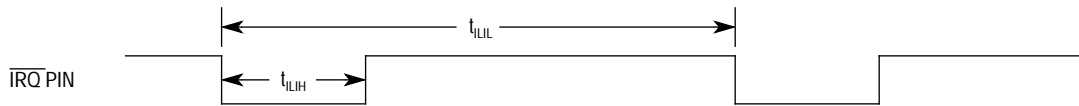
- $V_{DD} = 3.3 \text{ Vdc} \pm 0.3 \text{ Vdc}$ ,  $V_{SS} = 0 \text{ Vdc}$ ,  $T_A = -40 \text{ }^\circ\text{C}$  to  $+85 \text{ }^\circ\text{C}$ , unless otherwise noted.
- Because a 2-bit prescaler in the timer must count four internal cycles ( $t_{cyc}$ ), this is the limiting minimum factor in determining the timer resolution.
- The minimum period,  $t_{TLTL}$ , should not be less than the number of cycle times it takes to execute the capture interrupt service routine plus  $24 t_{cyc}$ .
- The minimum,  $t_{ILIL}$ , should not be less than the number of cycle times it takes to execute the interrupt service routine plus  $19 t_{cyc}$ .



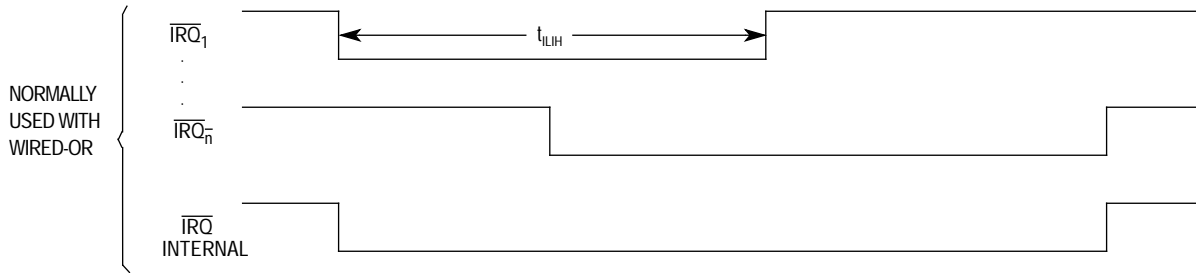
\* Refer to timer resolution data in [Section 8. Timer](#).

**Figure 13-4. TCAP Timing Relationships**

# Electrical Specifications

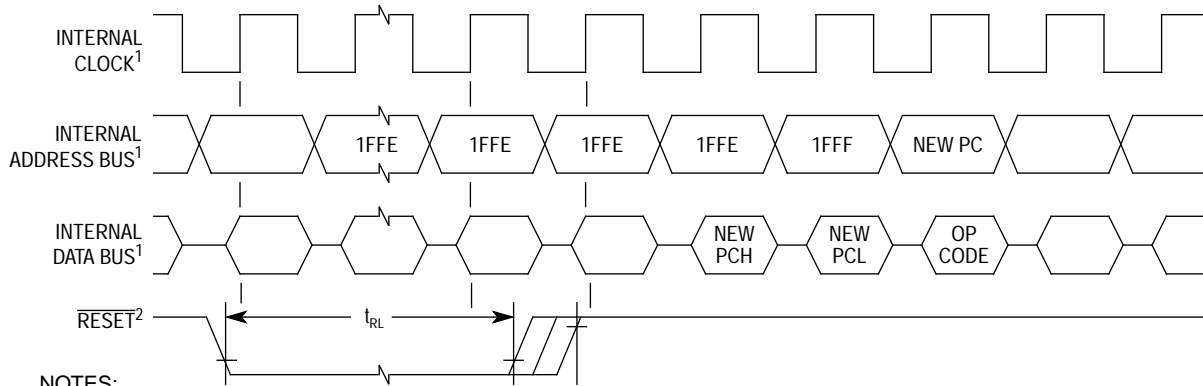


a. **Edge-Sensitive Trigger Condition.** The minimum pulse width ( $t_{LIH}$ ) is either 125 ns ( $f_{OP} = 2.1$  MHz) or 250 ns ( $f_{OP} = 1$  MHz). The period  $t_{LIL}$  should not be less than the number of  $t_{cyc}$  cycles it takes to execute the interrupt service routine plus 19  $t_{cyc}$  cycles.



b. **Level-Sensitive Trigger Condition.** If after servicing an interrupt the  $\overline{IRQ}$  remains low, the next interrupt is recognized.

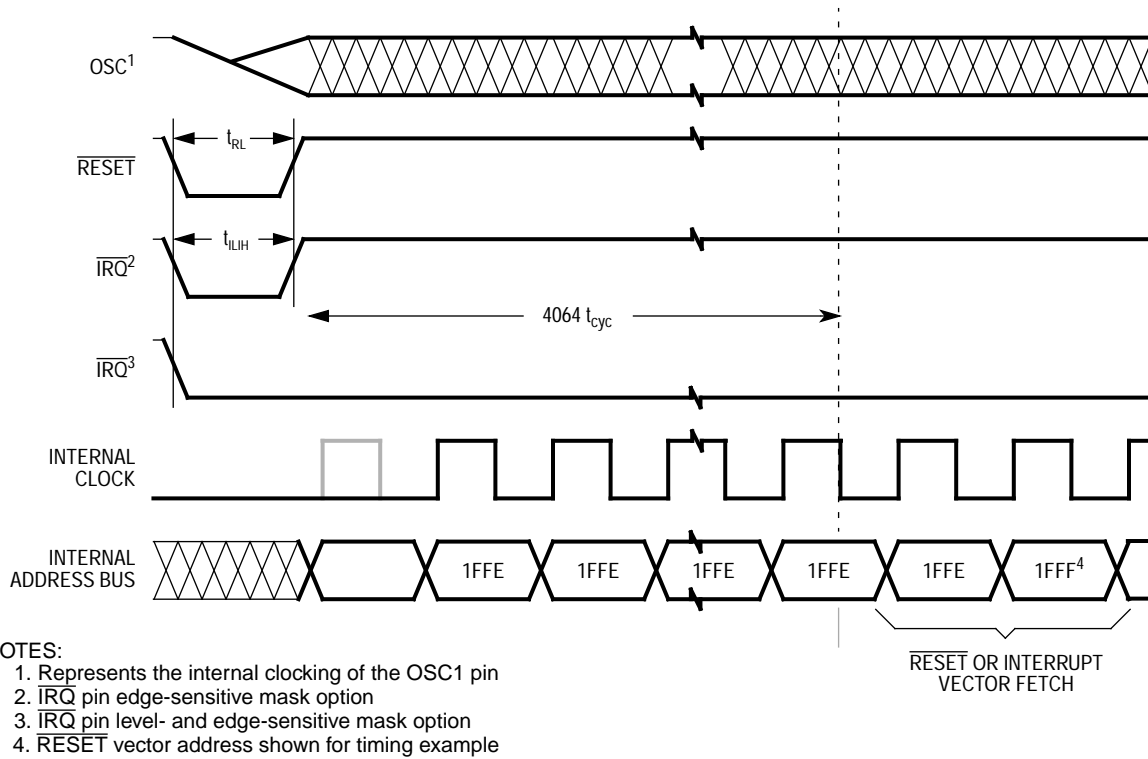
**Figure 13-5. External Interrupt Timing**



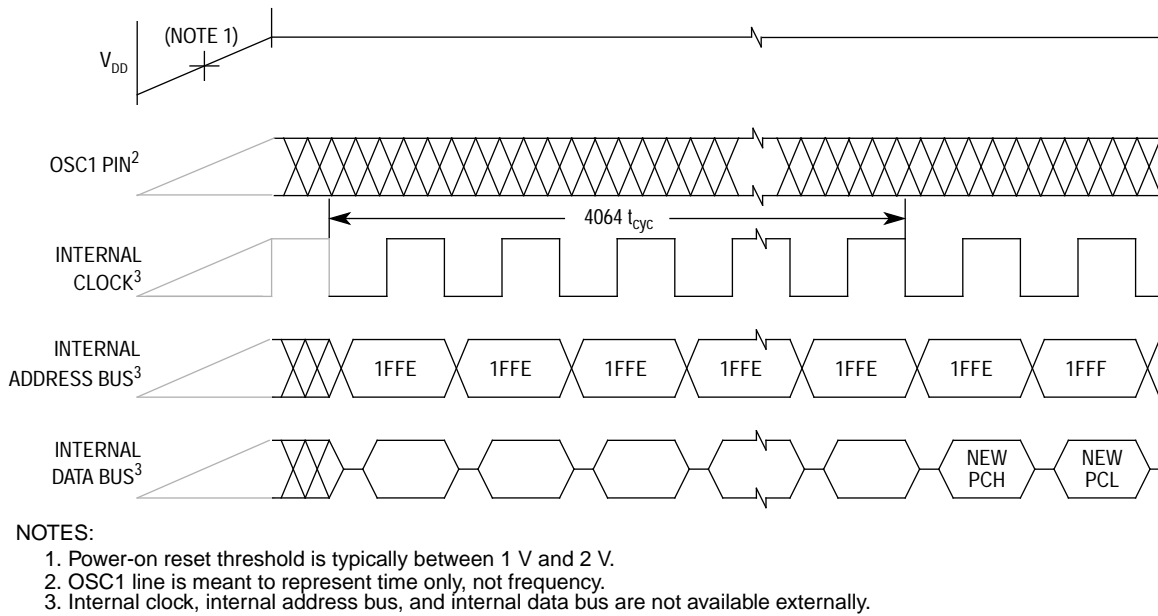
**NOTES:**

1. Internal clock, internal address bus, and internal data bus are not available externally.
2. The next rising edge of the internal clock after the rising edge of  $\overline{RESET}$  initiates the reset sequence.

**Figure 13-6. External Reset Timing**



**Figure 13-7. STOP Recovery Timing Diagram**



**Figure 13-8. Power-On Reset Timing Diagram**

## 13.11 5.0 V Serial Peripheral Interface Timing

Num	Characteristic	Symbol	Min	Max	Unit
	Operating Frequency Master Slave	$f_{OP(M)}$ $f_{OP(S)}$	dc dc	0.5 2.1	$f_{OP}$ MHz
1	Cycle Time Master Slave	$t_{cyc(M)}$ $t_{cyc(S)}$	2.0 480	— —	$t_{cyc}$ ns
2	Enable Lead Time Master Slave	$t_{Lead(M)}$ $t_{Lead(S)}$	† 240	— —	ns
3	Enable Lag Time Master Slave	$t_{LAG(M)}$ $t_{LAG(S)}$	† 720	— —	ns
4	Clock (SCK) High Time Master Slave	$t_{W(SCKH)M}$ $t_{W(SCKH)S}$	340 190	— —	ns
5	Clock (SCK) Low Time Master Slave	$t_{W(SCKL)M}$ $t_{W(SCKL)S}$	340 190	— —	ns
6	Data Setup Time (Inputs) Master Slave	$t_{SU(M)}$ $t_{SU(S)}$	100 100	— —	ns
7	Data Hold Time (Inputs) Master Slave	$t_{H(M)}$ $t_{H(S)}$	100 100	— —	ns
8	Slave Access Time (Time to Data Active from High-Impedance State)	$t_A$	0	120	ns
9	Slave Disable Time (Hold Time to High-Impedance State)	$t_{DIS}$	—	240	ns
10	Data Valid Master (Before Capture Edge) Slave (After Enable Edge)‡	$t_{V(M)}$ $t_{V(S)}$	0.25 —	— 240	$t_{cyc(M)}$ ns
11	Data Hold Time (Outputs) Master (After Capture Edge) Slave (After Enable Edge)	$t_{HO(M)}$ $t_{HO(S)}$	0.25 0	— —	$t_{cyc(M)}$ ns
12	Rise Time (20% $V_{DD}$ to 70% $V_{DD}$ , $C_L = 200$ pF) SPI Outputs (SCK, MOSI, and MISO) SPI Inputs (SCK, MOSI, MISO, and $\overline{SS}$ )	$t_{RM}$ $t_{RS}$	— —	100 2.0	ns $\mu$ s
13	Fall Time (70% $V_{DD}$ to 20% $V_{DD}$ , $C_L = 200$ pF) SPI Outputs (SCK, MOSI, and MISO) SPI Inputs (SCK, MOSI, MISO, and $\overline{SS}$ )	$t_{FM}$ $t_{FS}$	— —	100 2.0	ns $\mu$ s

\*  $V_{DD} = 5.0$  Vdc, 10%;  $V_{SS} = 0$  Vdc,  $T_A = T_L$  to  $T_H$ . Refer to [Section 8. Timer](#) for timing diagrams.

† Signal production depends on software.

‡ Assumes 200 pF load on all SPI pins

## 13.12 3.3 V Serial Peripheral Interface Timing

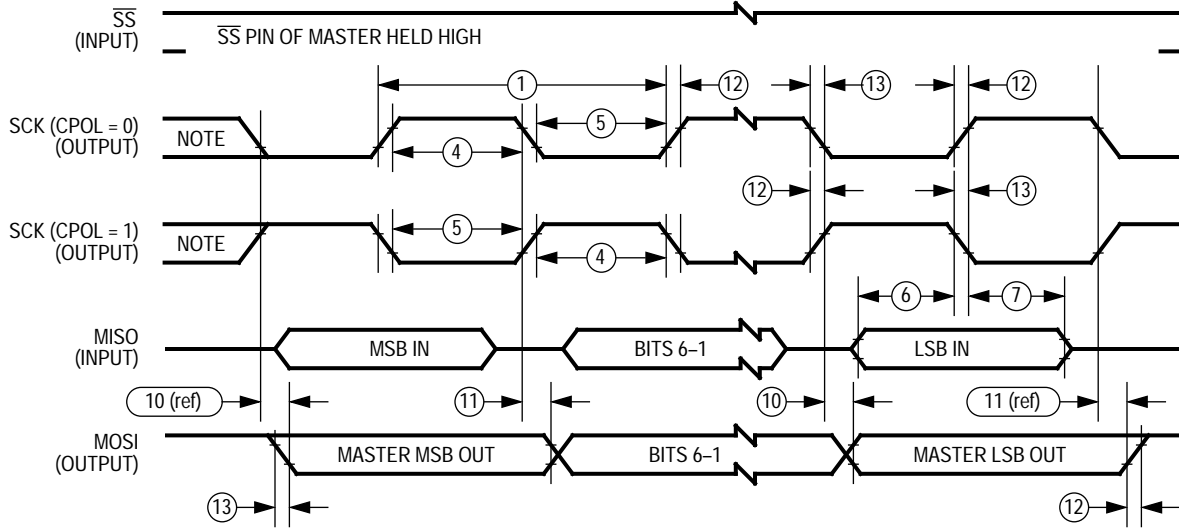
Num	Characteristic	Symbol	Min	Max	Unit
	Operating Frequency Master Slave	$f_{OP(M)}$ $f_{OP(S)}$	dc dc	0.5 1.0	$f_{OP}$ MHz
1	Cycle Time Master Slave	$t_{cyc(M)}$ $t_{cyc(S)}$	2.0 1.0	— —	$t_{cyc}$ $\mu$ s
2	Enable Lead Time Master Slave	$t_{Lead(M)}$ $t_{Lead(S)}$	† 500	— —	ns
3	Enable Lag Time Master Slave	$t_{LAG(M)}$ $t_{LAG(S)}$	† 1.5	— —	ns $\mu$ s
4	Clock (SCK) High Time Master Slave	$t_{W(SCKH)M}$ $t_{W(SCKH)S}$	720 400	— —	ns
5	Clock (SCK) Low Time Master Slave	$t_{W(SCKL)M}$ $t_{W(SCKL)S}$	720 400	— —	ns
6	Data Setup Time (Inputs) Master Slave	$t_{SU(M)}$ $t_{SU(S)}$	200 200	— —	ns
7	Data Hold Time (Inputs) Master Slave	$t_{H(M)}$ $t_{H(S)}$	200 200	— —	ns
8	Slave Access Time (Time to Data Active from High-Impedance State)	$t_A$	0	250	ns
9	Slave Disable Time (Hold Time to High-Impedance State)	$t_{DIS}$	—	500	ns
10	Data Valid Master (Before Capture Edge) Slave (After Enable Edge)‡	$t_{V(M)}$ $t_{V(S)}$	0.25 —	— 500	$t_{cyc(M)}$ ns
11	Data Hold Time (Outputs) Master (After Capture Edge) Slave (After Enable Edge)	$t_{HO(M)}$ $t_{HO(S)}$	0.25 0	— —	$t_{cyc(M)}$ ns
12	Rise Time (20% $V_{DD}$ to 70% $V_{DD}$ , $C_L = 200$ pF) SPI Outputs (SCK, MOSI, and MISO) SPI Inputs (SCK, MOSI, MISO, and $\overline{SS}$ )	$t_{RM}$ $t_{RS}$	— —	200 2.0	ns $\mu$ s
13	Fall Time (70% $V_{DD}$ to 20% $V_{DD}$ , $C_L = 200$ pF) SPI Outputs (SCK, MOSI, and MISO) SPI Inputs (SCK, MOSI, MISO, and $\overline{SS}$ )	$t_{FM}$ $t_{FS}$	— —	200 2.0	ns $\mu$ s

\*  $V_{DD} = 3.3$  Vdc, 0.3 Vdc;  $V_{SS} = 0$  Vdc,  $T_A = T_L$  to  $T_H$ . Refer to [Section 8. Timer](#) for timing diagrams.

† Signal production depends on software.

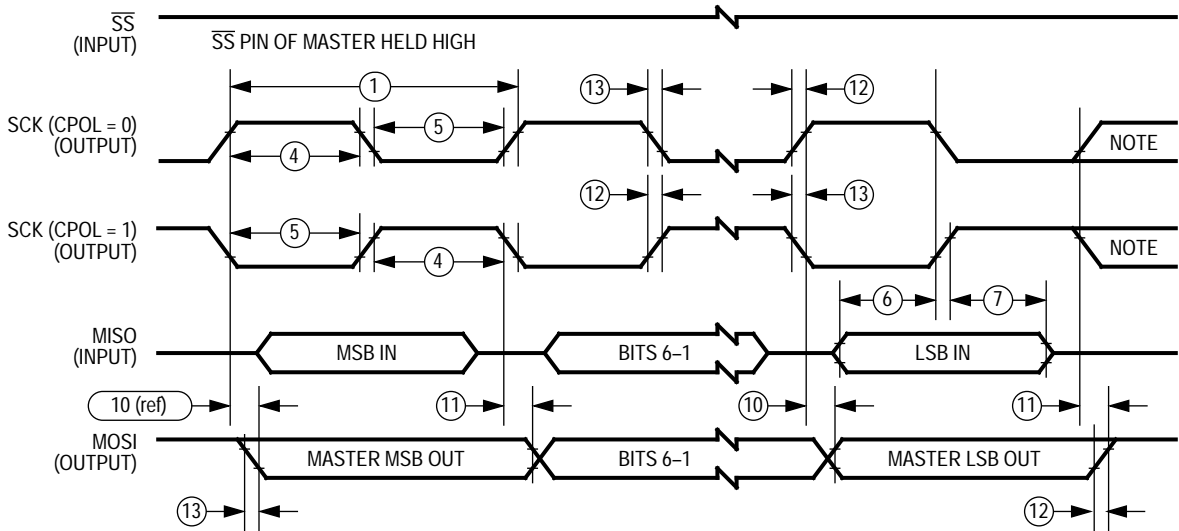
‡ Assumes 200 pF load on all SPI pins

# Electrical Specifications



NOTE: This first clock edge is generated internally, but is not seen at the SCK pin.

**a) SPI Master Timing (CPHA = 0)**

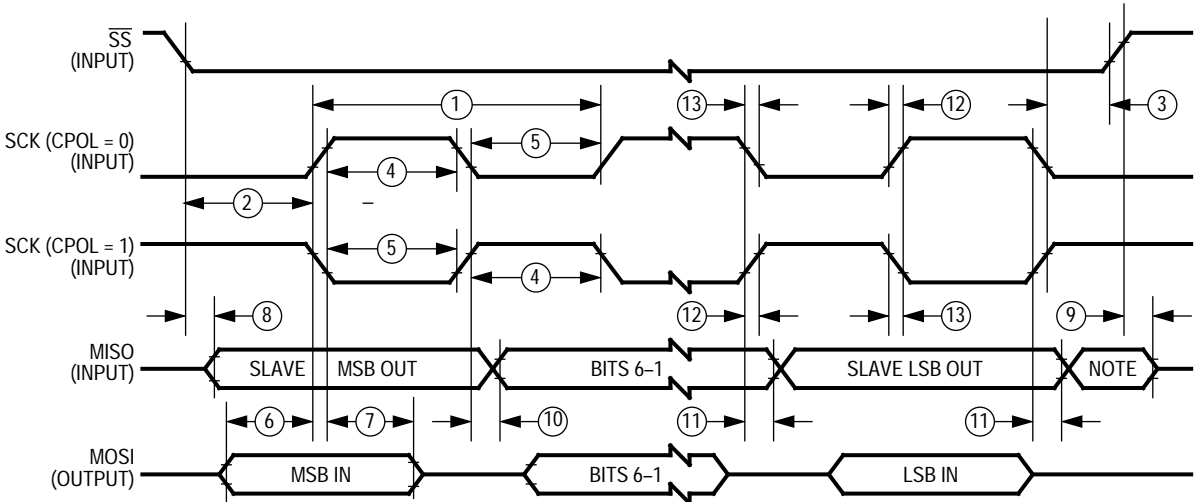


NOTE: This last clock edge is generated internally, but is not seen at the SCK pin.

**b) SPI Master Timing (CPHA = 1)**

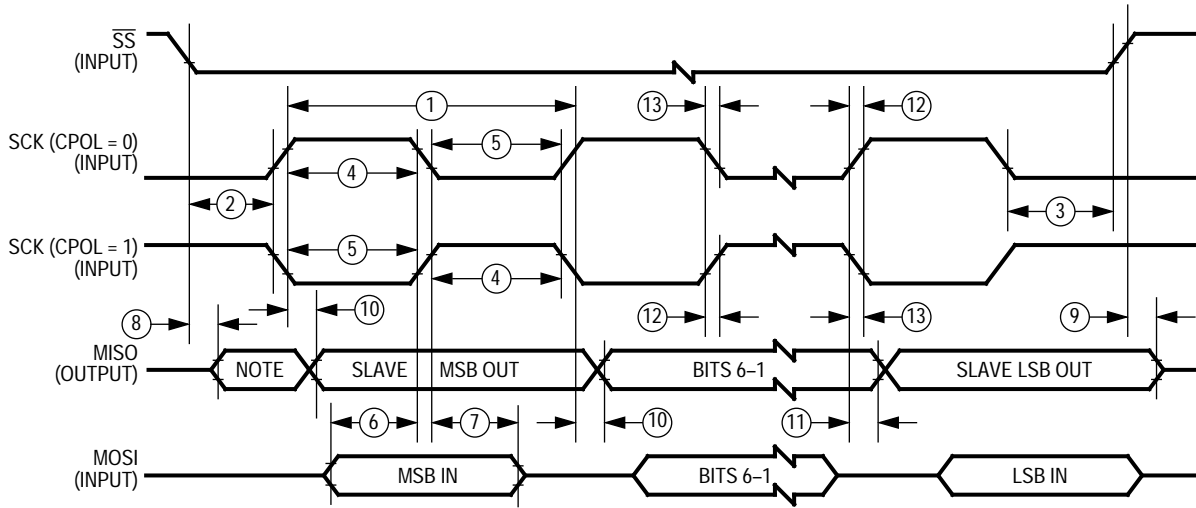
**Figure 13-9. SPI Master Timing Diagram**





NOTE: Not defined, but normally MSB of character just received.

**a) SPI Slave Timing (CPHA = 0)**



NOTE: Not defined, but normally LSB of character previously transmitted.

**b) SPI Slave Timing (CPHA = 1)**

**Figure 13-10. SPI Slave Timing Diagram**



## Section 14. Mechanical Specifications

### 14.1 Contents

14.2	Introduction .....	131
14.3	40-Pin Plastic Dual In-Line (DIP) Package (Case 711-03).....	132
14.4	42-Pin Plastic Shrink Dual In-Line (SDIP) Package (Case 858-01).....	132
14.5	44-Lead Plastic Leaded Chip Carrier (PLCC) (Case 777-02).....	133
14.6	44-Lead Quad Flat Pack (QFP) (Case 824A-01).....	134

### 14.2 Introduction

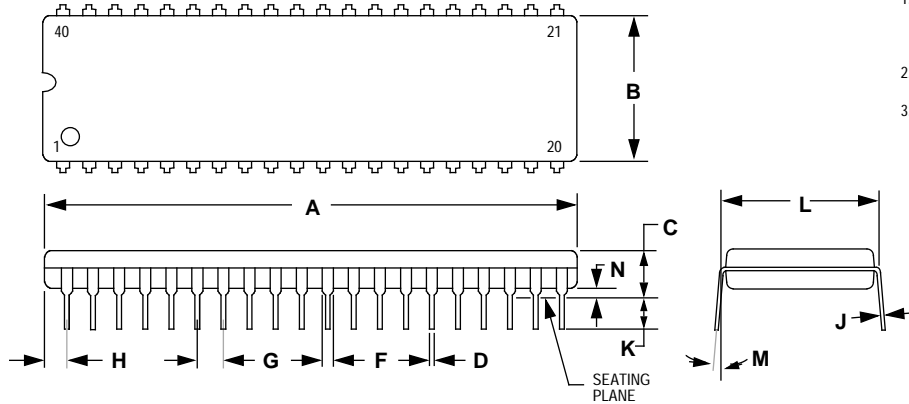
This section describes the dimensions of the dual in-line package (DIP), plastic shrink dual in-line package (SDIP), plastic leaded chip carrier (PLCC), and quad flat pack (QFP) MCU packages. Package dimensions available at the time of this publication are provided in this section. To make sure that you have the latest case outline specifications, contact one of the following:

- Local Motorola Sales Office
- Motorola Mfax
  - Phone 602-244-6609
  - EMAIL [rmfax0@email.sps.mot.com](mailto:rmfax0@email.sps.mot.com)
- Worldwide Web ([wwweb](http://www.design-net.com)) at <http://design-net.com>

Follow Mfax or [wwweb](http://www.design-net.com) on-line instructions to retrieve the current mechanical specifications.

# Mechanical Specifications

## 14.3 40-Pin Plastic Dual In-Line (DIP) Package (Case 711-03)

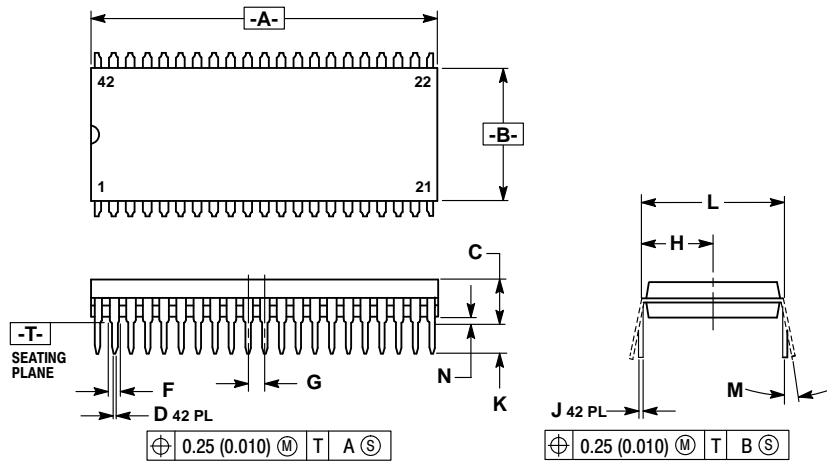


**NOTES:**

1. POSITION TOLERANCE OF LEADS (D), SHALL BE WITHIN 0.25 (0.010) AT MAXIMUM MATERIAL CONDITIONS, IN RELATION TO SEATING PLANE AND EACH OTHER.
2. DIMENSION L TO CENTER OF LEADS WHEN FORMED PARALLEL.
3. DIMENSION B DOES NOT INCLUDE MOLD FLASH.

DIM	MILLIMETERS		INCHES	
	MIN	MAX	MIN	MAX
A	51.69	52.45	2.035	2.065
B	13.72	14.22	0.540	0.560
C	3.94	5.08	0.155	0.200
D	0.36	0.56	0.014	0.022
F	1.02	1.52	0.040	0.060
G	2.54 BSC		0.100 BSC	
H	1.65	2.16	0.065	0.085
J	0.20	0.38	0.008	0.015
K	2.92	3.43	0.115	0.135
L	15.24 BSC		0.600 BSC	
M	0°	1°	0°	1°
N	0.51	1.02	0.020	0.040

## 14.4 42-Pin Plastic Shrink Dual In-Line (SDIP) Package (Case 858-01)

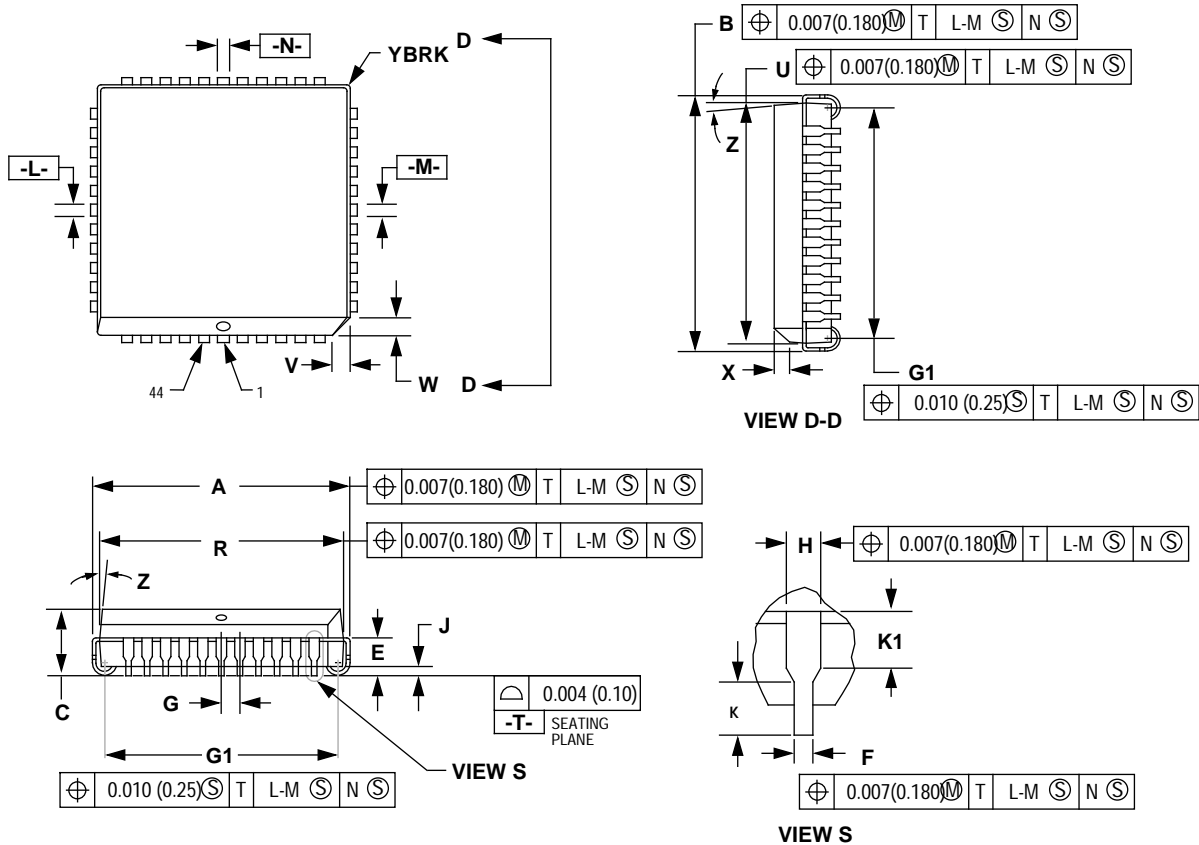


**NOTES:**

1. DIMENSIONS AND TOLERANCING PER ANSI Y14.5M, 1982.
2. CONTROLLING DIMENSION: INCH.
3. DIMENSION L TO CENTER OF LEAD WHEN FORMED PARALLEL.
4. DIMENSIONS A AND B DO NOT INCLUDE MOLD FLASH. MAXIMUM MOLD FLASH 0.25 (0.010).

DIM	INCHES		MILLIMETERS	
	MIN	MAX	MIN	MAX
A	1.435	1.465	36.45	37.21
B	0.540	0.560	13.72	14.22
C	0.155	0.200	3.94	5.08
D	0.014	0.022	0.36	0.56
F	0.032	0.046	0.81	1.17
G	0.070 BSC		1.778 BSC	
H	0.300 BSC		7.62 BSC	
J	0.008	0.015	0.20	0.38
K	0.115	0.135	2.92	3.43
L	0.600 BSC		15.24 BSC	
M	0°	15°	0°	15°
N	0.020	0.040	0.51	1.02

### 14.5 44-Lead Plastic Leaded Chip Carrier (PLCC) (Case 777-02)



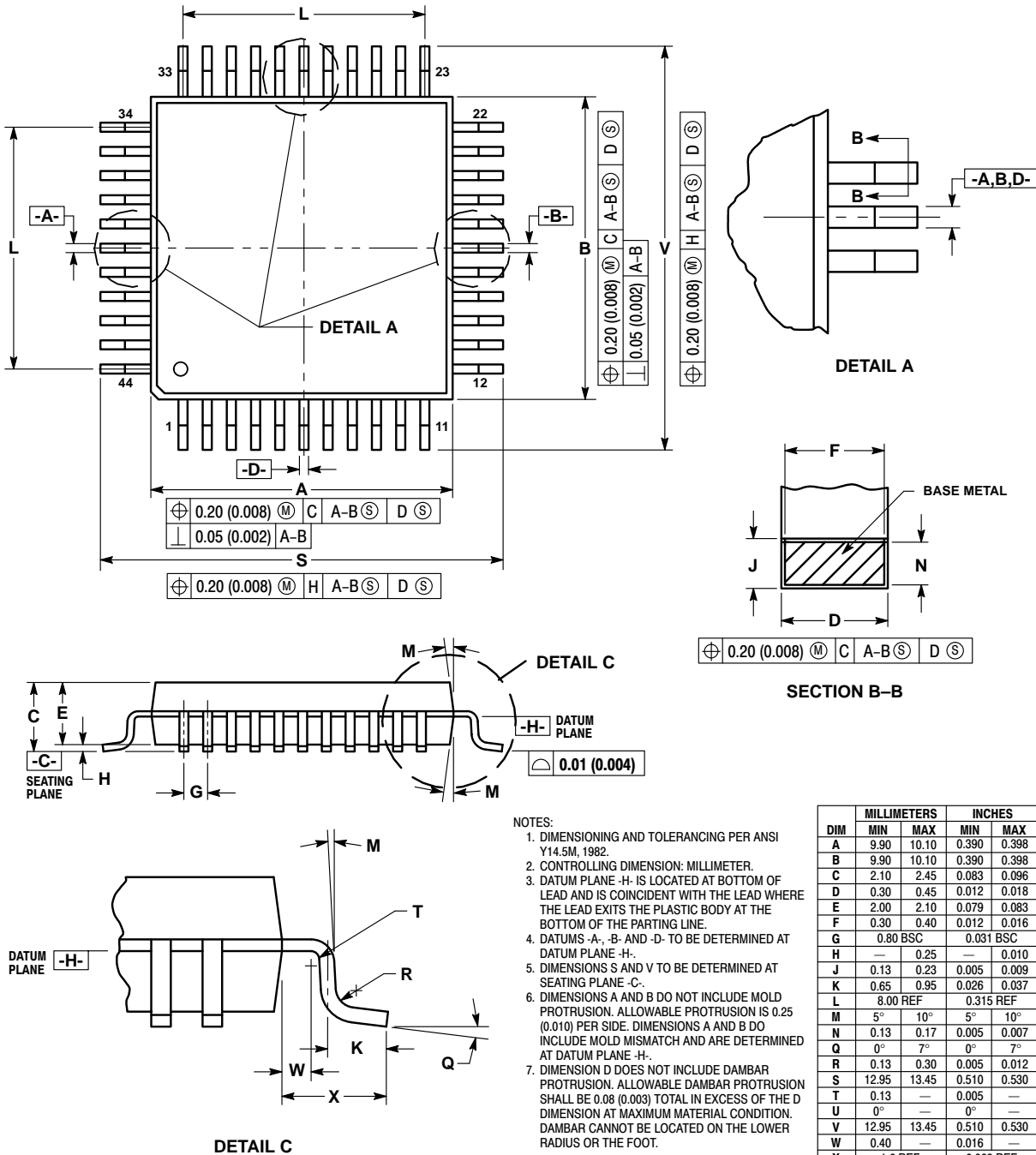
**NOTES:**

1. DATUMS -L-, -M-, AND -N- ARE DETERMINED WHERE TOP OF LEAD SHOULDERS EXITS PLASTIC BODY AT MOLD PARTING LINE.
2. DIMENSION G1, TRUE POSITION TO BE MEASURED AT DATUM -T-, SEATING PLANE.
3. DIMENSION R AND U DO NOT INCLUDE MOLD FLASH. ALLOWABLE MOLD FLASH IS 0.010 (0.25) PER SIDE.
4. DIMENSIONING AND TOLERANCING PER ANSI Y14.5M, 1982.
5. CONTROLLING DIMENSION: INCH.
6. THE PACKAGE TOP MAY BE SMALLER THAN THE PACKAGE BOTTOM BY UP TO 0.012 (0.300). DIMENSIONS R AND U ARE DETERMINED AT THE OUTERMOST EXTREMES OF THE PLASTIC BODY EXCLUSIVE OF THE MOLD FLASH, TIE BAR BURRS, GATE BURRS AND INTERLEAD FLASH, BUT INCLUDING ANY MISMATCH BETWEEN THE TOP AND BOTTOM OF THE PLASTIC BODY.
7. DIMENSION H DOES NOT INCLUDE DAMBAR PROTRUSION OR INTRUSION. THE DAMBAR PROTRUSION(S) SHALL NOT CAUSE THE H DIMENSION TO BE GREATER THAN 0.037 (0.940134). THE DAMBAR INTRUSION(S) SHALL NOT CAUSE THE H DIMENSION TO SMALLER THAN 0.025 (0.635).

DIM	INCHES		MILLIMETERS	
	MIN	MAX	MIN	MAX
A	0.685	0.695	17.40	17.65
B	0.685	0.695	17.40	17.65
C	0.165	0.180	4.20	4.57
E	0.090	0.110	2.29	2.79
F	0.013	0.019	0.33	0.48
G	0.050 BSC		1.27 BSC	
H	0.026	0.032	0.66	0.81
J	0.020	—	0.51	—
K	0.025	—	0.64	—
R	0.650	0.656	16.51	16.66
U	0.650	0.656	16.51	16.66
V	0.042	0.048	1.07	1.21
W	0.042	0.048	1.07	1.21
X	0.042	0.056	1.07	1.42
Y	—	0.020	—	0.50
Z	2° 10°		2° 10°	
G1	0.610	0.630	15.50	16.00
K1	0.040	—	1.02	—

# Mechanical Specifications

## 14.6 44-Lead Quad Flat Pack (QFP) (Case 824A-01)



DIM	MILLIMETERS		INCHES	
	MIN	MAX	MIN	MAX
A	9.90	10.10	0.390	0.398
B	9.90	10.10	0.390	0.398
C	2.10	2.45	0.083	0.096
D	0.30	0.45	0.012	0.018
E	2.00	2.10	0.079	0.083
F	0.30	0.40	0.012	0.016
G	0.80	BSC	0.031	BSC
H	—	0.25	—	0.010
J	0.13	0.23	0.005	0.009
K	0.65	0.95	0.026	0.037
L	8.00	REF	0.315	REF
M	5°	10°	5°	10°
N	0.13	0.17	0.005	0.007
Q	0°	7°	0°	7°
R	0.13	0.30	0.005	0.012
S	12.95	13.45	0.510	0.530
T	0.13	—	0.005	—
U	0°	—	0°	—
V	12.95	13.45	0.510	0.530
W	0.40	—	0.016	—
X	1.6	REF	0.063	REF

## Section 15. Ordering Information

### 15.1 Contents

15.2	Introduction .....	135
15.3	MCU Ordering Forms .....	135
15.4	Application Program Media.....	136
15.5	ROM Program Verification.....	137
15.6	ROM Verification Units (RVUs).....	138
15.7	MC Order Numbers .....	139

### 15.2 Introduction

This section contains instructions for ordering custom-masked ROM MCUs.

### 15.3 MCU Ordering Forms

To initiate an order for a ROM-based MCU, first obtain the current ordering form for the MCU from a Motorola representative. Submit the following items when ordering MCUs:

- A current MCU ordering form that is **completely filled out** (Contact your Motorola sales office for assistance.)
- A copy of the customer specification, if the customer specification deviates from the Motorola specification for the MCU.
- Customer's application program on one of the media listed in [15.4 Application Program Media](#)

The current MCU ordering form is also available through the Motorola Freeware Bulletin Board Service (BBS). The telephone number is (512) 891-FREE. After making the connection, type bbs in lowercase letters. Then press the return key to start the BBS software.

### 15.4 Application Program Media

Please deliver the application program to Motorola in one of the following media:

- Macintosh<sup>®1</sup> 3 1/2-inch diskette (double-sided 800 K or double-sided high-density 1.4 M)
- MS-DOS<sup>®2</sup> or PC-DOS<sup>™3</sup> 3 1/2-inch diskette (double-sided 720 K or double-sided high-density 1.44 M)
- MS-DOS<sup>®</sup> or PC-DOS<sup>™</sup> 5 1/4-inch diskette (double-sided double-density 360 K or double-sided high-density 1.2 M)

Use positive logic for data and addresses.

When submitting the application program on a diskette, clearly label the diskette with the following information:

- Customer name
- Customer part number
- Project or product name
- File name of object code
- Date
- Name of operating system that formatted diskette
- Formatted capacity of diskette

On diskettes, the application program must be in Motorola's S-record format (S1 and S9 records), a character-based object file format generated by M6805 cross assemblers and linkers.

---

1. Macintosh is a registered trademark of Apple Computer, Inc.

2. MS-DOS is a registered trademark of Microsoft Corporation.

3. PC-DOS is a trademark of International Business Machines Corporation.



**NOTE:** *Begin the application program at the first user ROM location. Program addresses must correspond exactly to the available on-chip user ROM addresses as shown in the memory map. Write \$00 in all non-user ROM locations or leave all non-user ROM locations blank. Refer to the current MCU ordering form for additional requirements. Motorola may request pattern re-submission if non-user areas contain any non-zero code.*

If the memory map has two user ROM areas with the same addresses, then write the two areas in separate files on the diskette. Label the diskette with both filenames.

In addition to the object code, a file containing the source code can be included. Motorola keeps this code confidential and uses it only to expedite ROM pattern generation in case of any difficulty with the object code. Label the diskette with the filename of the source code.

## 15.5 ROM Program Verification

The primary use for the on-chip ROM is to hold the customer's application program. The customer develops and debugs the application program and then submits the MCU order along with the application program.

Motorola inputs the customer's application program code into a computer program that generates a listing verify file. The listing verify file represents the memory map of the MCU. The listing verify file contains the user ROM code and may also contain non-user ROM code, such as self-check code. Motorola sends the customer a computer printout of the listing verify file along with a listing verify form.

To aid the customer in checking the listing verify file, Motorola will program the listing verify file into customer-supplied blank preformatted Macintosh or DOS disks. All original pattern media are filed for contractual purposes and are not returned.

Check the listing verify file thoroughly, then complete and sign the listing verify form and return the it to Motorola. The signed listing verify form constitutes the contractual agreement for the creation of the custom mask.

### 15.6 ROM Verification Units (RVUs)

After receiving the signed listing verify form, Motorola manufactures a custom photographic mask. The mask contains the customer's application program and is used to process silicon wafers. The application program cannot be changed after the manufacture of the mask begins. Motorola then produces 10 MCUs, called RVUs, and sends the RVUs to the customer. RVUs are usually packaged in unmarked ceramic and tested to 5 Vdc at room temperature. RVUs are not tested to environmental extremes because their sole purpose is to demonstrate that the customer's user ROM pattern was properly implemented. The 10 RVUs are free of charge with the minimum order quantity. These units are not to be used for qualification or production. RVUs are not guaranteed by Motorola Quality Assurance.

## 15.7 MC Order Numbers

Table 15-1 shows the MC order numbers for the available package types.

**Table 15-1. MC Order Numbers**

Package Type	Operating Temperature Range	MC Order Number
40-Pin Plastic Dual In-Line Package (DIP)	0 °C to 70 °C	MC68HC05C4AP
42-Pin Plastic Shrink Dual In-Line Package (SDIP)	0 °C to 70 °C	MC68HC05C4AB
44-Lead Plastic Leaded Chip Carrier (PLCC)	0 °C to 70 °C	MC68HC05C4AFN
44-Lead Quad Flat Pack (QFP)	0 °C to 70 °C	MC68HC05C4AFB
<b>Extended Temperature Range</b>		
40-Pin Plastic Dual In-Line Package (DIP)	-40 °C to +85 °C	MC68HC05C4ACP
42-Pin Plastic Shrink Dual In-Line Package (SDIP)	-40 °C to +85 °C	MC68HC05C4ACB
44-Lead Plastic Leaded Chip Carrier (PLCC)	-40 °C to +85 °C	MC68HC05C4ACFN
44-Lead Quad Flat Pack (QFP)	-40 °C to +85 °C	MC68HC05C4ACFB

## Ordering Information

## Appendix A. MC68HCL05C4A

### A.1 Contents

A.2	Introduction .....	141
A.3	Low-Power Operating Temperature Range .....	141
A.4	2.5–3.6 V DC Electrical Characteristics .....	142
A.5	1.8–2.4 V DC Electrical Characteristics .....	142
A.6	Low-Power Supply Current .....	143

### A.2 Introduction

Appendix A introduces the MC68HCL05C4A, a low-power version of the MC68HC05C4A. The technical data applying to the MC68HC05C4A applies to the MC68HCL05C4A with the exceptions given in this appendix.

### A.3 Low-Power Operating Temperature Range

The data here should replace the corresponding data found in [13.4 Operating Temperature Range](#).

Rating	Symbol	Value	Unit
Operating Temperature Range MC68HCL05C4AP, FN, B, and FB	$T_A$	$T_L$ to $T_H$ 0 to +70	°C

NOTES:

1. P = Plastic dual in-line package (PDIP)
2. FN = Plastic-leaded chip carrier (PLCC)
3. B = Shrink dual in-line-package (SDIP)
4. FB = Quad flat pack (QFP)

## A.4 2.5–3.6 V DC Electrical Characteristics

Characteristic	Symbol	Min	Typ	Max	Unit
Output High Voltage ( $I_{Load} = -0.2$ mA) PA7–PA0, PB7–PB0, PC6–PC0, TCMP ( $I_{Load} = -0.4$ mA) PD4–PD1 ( $I_{Load} = -1.5$ mA) PC7	$V_{OH}$	$V_{DD} - 0.3$ $V_{DD} - 0.3$ $V_{DD} - 0.3$	— — —	— — —	V
Output Low Voltage ( $I_{Load} = 0.4$ mA) PA7–PA0, PB7–PB0, PC6–PC0, PD4–PD1, TCMP ( $I_{Load} = 5.0$ mA) PC7	$V_{OL}$	— —	— —	0.3 0.3	V
Input Pullup Current PB7–PB0 with Pullup	$I_{In}$	10	55	120	$\mu$ A

## A.5 1.8–2.4 V DC Electrical Characteristics

Characteristic	Symbol	Min	Typ	Max	Unit
Output High Voltage ( $I_{Load} = -0.1$ mA) PA7–PA0, PB7–PB0, PC6–PC0, TCMP ( $I_{Load} = -0.2$ mA) PD4–PD1 ( $I_{Load} = -0.75$ mA) PC7	$V_{OH}$	$V_{DD} - 0.3$ $V_{DD} - 0.3$ $V_{DD} - 0.3$	— — —	— — —	V
Output Low Voltage ( $I_{Load} = 0.2$ mA) PA7–PA0, PB7–PB0, PC6–PC0, PD4–PD1, TCMP ( $I_{Load} = 2.0$ mA) PC7	$V_{OL}$	— —	— —	0.3 0.3	V
Input Pullup Current PB7–PB0 with Pullup	$I_{In}$	3	45	75	$\mu$ A

## A.6 Low-Power Supply Current

Characteristic (Note 1)	Symbol	Min	Typ	Max	Unit
Supply Current (4.5–5.5 Vdc @ $f_{BUS} = 2.1$ MHz)	$I_{DD}$	—	3.50	4.25	mA
Run		—	1.6	2.25	mA
Wait		—	1	15	$\mu$ A
Stop		—	—	25	$\mu$ A
25 °C 0 °C to +70 °C (Standard)					
Supply Current (2.4–3.6 Vdc @ $f_{BUS} = 1.0$ MHz)	$I_{DD}$	—	1.00	1.4	mA
Run (Note 2)		—	0.7	1.0	mA
Wait (Note 3)		—	1	5	$\mu$ A
Stop (Note 4)		—	—	10	$\mu$ A
25 °C 0 °C to +70 °C (Standard)					
Supply Current (2.5–3.6 Vdc @ $f_{BUS} = 500$ kHz)	$I_{DD}$	—	500	750	$\mu$ A
Run		—	300	500	$\mu$ A
Wait		—	1	5	$\mu$ A
Stop		—	—	10	$\mu$ A
25 °C 0 °C to +70 °C (Standard)					
Supply Current (1.8–2.4 Vdc @ $f_{BUS} = 500$ kHz)	$I_{DD}$	—	300	600	$\mu$ A
Run		—	250	400	$\mu$ A
Wait		—	1	2	$\mu$ A
Stop		—	—	5	$\mu$ A
25 °C 0 °C to +70 °C (Standard)					

### NOTES:

1. Typical values reflect measurements taken on average processed devices at the midpoint of voltage range, 25 °C only.
2. Run (operating)  $I_{DD}$  measured using external square wave clock source; all I/O pins configured as inputs; port B =  $V_{DD}$ , all other inputs  $V_{IL} = 0.2$  V,  $V_{IH} = V_{DD} - 0.2$  V; no DC loads; less than 50 pF on all outputs;  $C_L = 20$  pF on OSC2
3. Wait  $I_{DD}$  measured using external square wave clock source; all I/O pins configured as inputs; port B =  $V_{DD}$ , all other inputs  $V_{IL} = 0.2$  V,  $V_{IH} = V_{DD} - 0.2$  V; no DC loads; less than 50 pF on all outputs;  $C_L = 20$  pF on OSC2. Wait  $I_{DD}$  is affected linearly by the OSC2 capacitance.
4. Stop  $I_{DD}$  measured with OSC1 = 0.2 V; all I/O pins configured as inputs; port B =  $V_{DD}$ , all other inputs  $V_{IL} = 0.2$  V,  $V_{IH} = V_{DD} - 0.2$  V





## Appendix B. MC68HSC05C4A

### B.1 Contents

B.2	Introduction .....	145
B.3	High-Speed Operating Temperature Range.....	146
B.4	4.5 –5.5 V High-Speed Supply Currents.....	147
B.5	4.5–5.5 V High-Speed Control Timing .....	148
B.6	2.4–3.6 V High-Speed Control Timing .....	149
B.7	4.5 –5.5 V High-Speed SPI Timing.....	150
B.8	2.4–3.6 V High-Speed SPI Timing.....	151

### B.2 Introduction

Appendix B introduces the MC68HSC05C4A, a high-speed version of the MC68HC05C4A. The technical data applying to the MC68HC05C4A applies to the MC68HSC05C4A with the exceptions given in this appendix.

### B.3 High-Speed Operating Temperature Range

The data here replaces the corresponding data in [13.4 Operating Temperature Range](#).

Rating	Symbol	Value	Unit
Operating Temperature Range MC68HSC05C4AP, FN, B, FB MC68HSC05C4ACP, CFN, CB, CFB	$T_A$	$T_L$ to $T_H$ 0 to +70 -40 to +85	$^{\circ}\text{C}$

NOTES:

1. P = Plastic dual in-line package (PDIP)
2. FN = Plastic-leaded chip carrier (PLCC)
3. C = Extended temperature range ( $-40^{\circ}$  to  $+85^{\circ}$ )
4. B = Shrink dual in-line-package (SDIP)
5. FB = Quad flat pack (QFP)

## B.4 4.5 –5.5 V High-Speed Supply Currents

The data in [13.7 5.0 V DC Electrical Characteristics](#) applies to the MC68HSC05C4A with the exceptions given in this table.

Characteristic (Note 1)	Symbol	Min	Typ	Max	Unit
Supply Current (4.5–5.5 Vdc @ $f_{BUS} = 4.0$ MHz)					
Run (Note 2)		—	7.00	11.0	mA
Wait (Note 3)		—	2.00	6.50	mA
Stop (Note 4)	$I_{DD}$				
25 °C		—	1	20	μA
0 °C to 70 °C (Standard)		—	—	40	μA
–40 °C to 85 °C (Standard)		—	—	50	μA
Supply Current (2.4–3.6 Vdc @ $f_{BUS} = 2.0$ MHz)					
Run (Note 2)		—	2.50	4.00	mA
Wait (Note 3)		—	1.00	2.00	mA
Stop (Note 4)	$I_{DD}$				
25 °C		—	1	8	μA
0 °C to 70 °C (Standard)		—	—	16	μA
–40 °C to 85 °C (Standard)		—	—	20	μA
Input Pullup Current ( $V_{DD} = 4.5–5.5$ V) PB7–PB0 with Pullup	$I_{DD}$	60	140	300	μA
Input Pullup Current ( $V_{DD} = 2.4–3.6$ V) PB7–PB0 with Pullup	$I_{DD}$	10	55	140	μA

### NOTES:

1. Typical values reflect measurements taken on average processed devices at the midpoint of voltage range, 25 °C only.
2. Run (operating)  $I_{DD}$  measured using external square wave clock source; all I/O pins configured as inputs; port B =  $V_{DD}$ , all other inputs  $V_{IL} = 0.2$  V,  $V_{IH} = V_{DD} - 0.2$  V; no DC loads; less than 50 pF on all outputs;  $C_L = 20$  pF on OSC2
3. Wait  $I_{DD}$  measured using external square wave clock source; all I/O pins configured as inputs, Port B =  $V_{DD}$ , all other inputs  $V_{IL} = 0.2$  V,  $V_{IH} = V_{DD} - 0.2$  V; no DC loads; less than 50 pF on all outputs;  $C_L = 20$  pF on OSC2. Wait  $I_{DD}$  is affected linearly by the OSC2 capacitance.
4. Stop  $I_{DD}$  measured with OSC1 = 0.2 V; all I/O pins configured as inputs; port B =  $V_{DD}$ , all other inputs  $V_{IL} = 0.2$  V,  $V_{IH} = V_{DD} - 0.2$  V

## B.5 4.5–5.5 V High-Speed Control Timing

The data in [13.9 5.0 V Control Timing](#) applies to the MC68HSC05C4A with the exceptions in this table.

Characteristic	Symbol	Min	Max	Unit
Oscillator Frequency Crystal External Clock	$f_{osc}$	— dc	8.2 8.2	MHz
Internal Operating Frequency ( $f_{osc} \div 2$ ) Crystal External Clock	$f_{OP}$	— dc	4.1 4.1	MHz
Cycle Time	$t_{cyc}$	244	—	ns
Crystal Oscillator Startup Time	$t_{OXOV}$		100	ms
Stop Recovery Startup Time	$t_{LCH}$		100	ms
RESET Pulse Width	$t_{RL}$	1.5	—	$t_{cyc}$
Timer Resolution (Note 1) Input Capture Pulse Width Input Capture Pulse Width	$t_{resl}$ $t_{TH}$ or $t_{TL}$ $t_{THTL}$	4.0 64 Note 2	— — —	$t_{cyc}$ ns $t_{cyc}$
Interrupt Pulse Width Low (Edge-Triggered)	$t_{LIH}$	64	—	ns
Interrupt Pulse Period	$t_{LIL}$	Note 3	—	$t_{cyc}$
OSC1 Pulse Width	$t_{OH}$ or $t_{OL}$	50	—	ns

### NOTES:

1. Because a 2-bit prescaler in the timer must count four internal cycles ( $t_{cyc}$ ), this is the limiting minimum factor in determining the timer resolution.
2. The minimum period,  $t_{TLTL}$ , should not be less than the number of cycle times it takes to execute the capture interrupt service routine plus 24  $t_{cyc}$ .
3. The minimum,  $t_{LIL}$ , should not be less than the number of cycle times it takes to execute the interrupt service routine plus 19  $t_{cyc}$ .

## B.6 2.4–3.6 V High-Speed Control Timing

Characteristic	Symbol	Min	Max	Unit
Oscillator Frequency Crystal External Clock	$f_{osc}$	— dc	4.2 4.2	MHz
Internal Operating Frequency ( $f_{osc} \div 2$ ) Crystal External Clock	$f_{OP}$	— dc	2.1 2.1	MHz
Cycle Time	$t_{cyc}$	480	—	ns
Crystal Oscillator Startup Time	$t_{OXOV}$		100	ms
Stop Recovery Startup Time	$t_{ILCH}$		100	ms
RESET Pulse Width	$t_{RL}$	1.5	—	$t_{cyc}$
Timer Resolution (Note 1) Input Capture Pulse Width Input Capture Pulse Width	$t_{resl}$ $t_{TH}$ or $t_{TL}$ $t_{THTL}$	4.0 125 Note 2	— — —	$t_{cyc}$ ns $t_{cyc}$
Interrupt Pulse Width Low (Edge-Triggered)	$t_{ILIH}$	125	—	ns
Interrupt Pulse Period	$t_{ILIL}$	Note 3	—	$t_{cyc}$
OSC1 Pulse Width	$t_{OH}$ or $t_{OL}$	90	—	ns

### NOTES:

1. Because a 2-bit prescaler in the timer must count four internal cycles ( $t_{cyc}$ ), this is the limiting minimum factor in determining the timer resolution.
2. The minimum period,  $t_{TLTL}$ , should not be less than the number of cycle times it takes to execute the capture interrupt service routine plus  $24 t_{cyc}$ .
3. The minimum,  $t_{ILIL}$ , should not be less than the number of cycle times it takes to execute the interrupt service routine plus  $19 t_{cyc}$ .

## B.7 4.5 –5.5 V High-Speed SPI Timing

The data in [13.11 5.0 V Serial Peripheral Interface Timing](#) applies to the MC68HSC05C8A with the exceptions given in the following table.

Num	Characteristic	Symbol	Min	Max	Unit
	Operating Frequency Master Slave	$f_{op(M)}$ $f_{op(S)}$	dc dc	0.5 4.1	$f_{OP}$ MHz
1	Cycle Time Master Slave	$t_{cyc(M)}$ $t_{cyc(S)}$	2.0 244	— —	$t_{cyc}$ ns
2	Enable Lead Time Master Slave	$t_{Lead(M)}$ $t_{LEAD(S)}$	† 122	— —	ns ns
3	Enable Lag Time Master Slave	$t_{Lag(M)}$ $t_{Lag(S)}$	† 366	— —	ns ns
4	Clock (SCK) High Time Master Slave	$t_{W(SCKH)M}$ $t_{W(SCKH)S}$	166 93	— —	ns ns
5	Clock (SCK) Low Time Master Slave	$t_{W(SCKL)M}$ $t_{W(SCKL)S}$	166 93	— —	ns ns
6	Data Setup Time (Inputs) Master Slave	$t_{SU(M)}$ $t_{SU(S)}$	49 49	— —	ns ns
7	Data Hold Time (Inputs) Master Slave	$t_{H(M)}$ $t_{H(S)}$	49 49	— —	ns ns
8	Slave Access Time (Time to Data Active from High-Impedance State)	$t_A$	0	61	ns
9	Slave Disable Time (Hold Time to High-Impedance State)	$t_{DIS}$	—	122	ns
10	Data Valid Master (Before Capture Edge) Slave (After Enable Edge)‡	$t_{V(M)}$ $t_{V(S)}$	0.25 —	— 122	$t_{cyc(M)}$ ns
11	Data Hold Time (Outputs) Master (After Capture Edge) Slave (After Enable Edge)	$t_{HO(M)}$ $t_{HO(S)}$	0.25 0	— —	$t_{cyc(M)}$ ns
12	Rise Time (20% $V_{DD}$ to 70% $V_{DD}$ , $C_L = 200$ pF) SPI Outputs (SCK, MOSI, and MISO) SPI Inputs (SCK, MOSI, MISO, and $\overline{SS}$ )	$t_{RM}$ $t_{RS}$	— —	50 1.0	ns $\mu$ s
13	Fall Time (70% $V_{DD}$ to 20% $V_{DD}$ , $C_L = 200$ pF) SPI Outputs (SCK, MOSI, and MISO) SPI Inputs (SCK, MOSI, MISO, and $\overline{SS}$ )	$t_{FM}$ $t_{FS}$	— —	50 1.0	ns $\mu$ s

† Signal production depends on software.

‡ Assumes 200 pF load on all SPI pins.

## B.8 2.4–3.6 V High-Speed SPI Timing

The data in [13.12 3.3 V Serial Peripheral Interface Timing](#) applies to the MC68HSC05C8A with the exceptions given in the following table.

Num	Characteristic	Symbol	Min	Max	Unit
	Operating Frequency Master Slave	$f_{OP(M)}$ $f_{OP(S)}$	dc dc	0.5 2.1	$f_{OP}$ MHz
1	Cycle Time Master Slave	$t_{cyc(M)}$ $t_{cyc(S)}$	2.0 480	— —	$t_{cyc}$ ns
2	Enable Lead Time Master Slave	$t_{Lead(M)}$ $t_{Lead(S)}$	† 240	— —	ns ns
3	Enable Lag Time Master Slave	$t_{Lag(M)}$ $t_{Lag(S)}$	† 720	— —	ns ns
4	Clock (SCK) High Time Master Slave	$t_{W(SCKH)M}$ $t_{W(SCKH)S}$	340 190	— —	ns ns
5	Clock (SCK) Low Time Master Slave	$t_{W(SCKL)M}$ $t_{W(SCKL)S}$	340 190	— —	ns ns
6	Data Setup Time (Inputs) Master Slave	$t_{SU(M)}$ $t_{SU(S)}$	100 100	— —	ns ns
7	Data Hold Time (Inputs) Master Slave	$t_{H(M)}$ $t_{H(S)}$	100 100	— —	ns ns
8	Slave Access Time (Time to Data Active from High-Impedance State)	$t_A$	0	120	ns
9	Slave Disable Time (Hold Time to High-Impedance State)	$t_{DIS}$	—	240	ns
10	Data Master (Before Capture Edge) Slave (After Enable Edge)‡	$t_{V(M)}$ $t_{V(S)}$	0.25 —	— 240	$t_{cyc(M)}$ ns
11	Data Hold Time (Outputs) Master (After Capture Edge) Slave (After Enable Edge)	$t_{HO(M)}$ $t_{HO(S)}$	0.25 0	— —	$t_{cyc(M)}$ ns
12	Rise Time (20% $V_{DD}$ to 70% $V_{DD}$ , $C_L = 200$ pF) SPI Outputs (SCK, MOSI, and MISO) SPI Inputs (SCK, MOSI, MISO, and $\overline{SS}$ )	$t_{RM}$ $t_{RS}$	— —	100 2.0	ns $\mu$ s
13	Fall Time (70% $V_{DD}$ to 20% $V_{DD}$ , $C_L = 200$ pF) SPI Outputs (SCK, MOSI, and MISO) SPI Inputs (SCK, MOSI, MISO, and $\overline{SS}$ )	$t_{FM}$ $t_{FS}$	— —	100 2.0	ns $\mu$ s

† Signal production depends on software.

‡ Assumes 200 pF load on all SPI pins





# Appendix C. M68HC05Cx Family Feature Comparisons

## C.1 Contents

- C.2 Introduction ..... 153
- Table C-1. M68HC05Cx Feature Comparison ..... 154

## C.2 Introduction

Refer to **Table C-1** for a comparison of the features for all the M68HC05C Family members.


Table C-1. M68HC05Cx Feature Comparison

	C4	C4A	705C4A	C8	C8A	705C8	705C8A	C12	C12A	C9	C9A	705C9	705C9A
USER ROM	4160	4160	—	7744	7744	—	—	12,096	12,096	15,760-15,936	15,760-15,936	—	—
USER EPROM	—	—	4160	—	—	7596-7740	7596-7740	—	—	—	—	15,760-15,936	12,096-15,936
CODE SECURITY	NO	YES	YES	NO	YES	YES	YES	NO	YES	NO	YES	NO	YES
RAM	176	176	176	176	176	176-304	176-304	176	176	176-352	176-352	176-352	176-352
OPTION REGISTER (IRQ/RAM/SEC)	NO	NO	\$1FDF (IRQ/SEC)	NO	NO	\$1FDF (IRQ/RAM/SEC)	\$1FDF (IRQ/RAM/SEC)	NO	NO	\$3FDF (IRQ/RAM)	\$3FDF (IRQ/RAM)	\$3FDF (IRQ/RAM)	\$3FDF (IRQ/RAM)
MASK OPTION REGISTER(S)	NO	NO	\$1FF0-1	NO	NO	NO	\$1FF0-1	NO	NO	NO	NO	NO	\$3FF0-1
PORTB KEYSCAN (PULLUP/ INTERRUPT)	NO	YES MASK OPTION	YES MOR SELECTABLE	NO	YES MASK OPTION	NO	YES MOR SELECTABLE	YES MASK OPTION	YES MASK OPTION	NO	YES MASK OPTION	NO	YES MOR SELECTABLE
PC7 DRIVE	STANDARD	HIGH CURRENT	HIGH CURRENT	STANDARD	HIGH CURRENT	STANDARD	HIGH CURRENT	HIGH CURRENT	HIGH CURRENT	STANDARD	HIGH CURRENT	STANDARD	HIGH CURRENT
PORT D	PD7, 5-0 INPUT ONLY	PD7, 5-0 INPUT ONLY	PD7, 5-0 INPUT ONLY	PD7, 5-0 INPUT ONLY	PD7, 5-0 INPUT ONLY	PD7, 5-0 INPUT ONLY	PD7, 5-0 INPUT ONLY	PD7, 5-0 INPUT ONLY	PD7, 5-0 INPUT ONLY	PD7, 5-0 BIDIRECTIONAL	PD7, 5-0 BIDIRECTIONAL	PD7, 5-0 BIDIRECTIONAL	PD7, 5-0 BIDIRECTIONAL
COP	NO	YES	YES	NO	YES	YES	TWO TYPES	YES	YES	YES	YES	YES	TWO TYPES
COP ENABLE	—	MASK OPTION	MOR	—	MASK OPTION	SOFTWARE	SOFTWARE+MOR	MASK OPTION	MASK OPTION	SOFTWARE	SOFTWARE	SOFTWARE	SOFTWARE+MOR
COP TIMEOUT	—	64 ms (@4 MHz osc)	64 ms (@4 MHz osc)	—	64 ms (@4 MHz osc)	SOFTWARE SELECTABLE	SOFTWARE+MOR SELECTABLE	64 ms (@4 MHz osc)	64 ms (@4MHz osc)	SOFTWARE SELECTABLE	SOFTWARE SELECTABLE	SOFTWARE SELECTABLE	SOFTWARE+MOR SELECTABLE
COP CLEAR	—	CLR \$1FF0	CLR \$1FF0	—	CLR \$1FF0	WRITE \$55/\$AA TO \$001D	WRITE \$55/\$AA TO \$001D OR CLR \$1FF0	CLR \$3FF0	CLR \$3FF0	WRITE \$55/\$AA TO \$001D	WRITE \$55/\$AA TO \$001D	WRITE \$55/\$AA TO \$001D	WRITE \$55/\$AA TO \$001D OR CLR \$3FF0
CLOCK MONITOR	NO	NO	NO	NO	NO	YES	YES	NO	NO	YES	YES	YES	YES (C9A MODE)
ACTIVE RESET	NO	NO	NO	NO	NO	COP/CLOCK MONITOR	PROGRAMMABLE COP/CLOCK MONITOR	NO	NO	POR/COP/CLOCK MONITOR	POR/COP/CLOCK MONITOR	POR/COP/CLOCK MONITOR	POR/C9A COP/CLOCK MONITOR
STOP DISABLE	NO	MASK OPTION	NO	NO	MASK OPTION	NO	NO	MASK OPTION	MASK OPTION	NO	NO	NO	MOR SELECTABLE (C12A MODE)

## NOTES:

1. The expanded RAM map (from \$30-\$4F and \$100-\$15F) available on the OTP devices MC68HC705C8 and MC68HC705C8A is not available on the ROM devices MC68HC05C8 and MC68HC05C8A.
2. The programmable COP available on the MC68HC705C8 and MC68HC705C8A is not available on the MC68HC05C8A. For ROM compatibility, use the non-programmable COP.



Motorola reserves the right to make changes without further notice to any products herein. Motorola makes no warranty, representation or guarantee regarding the suitability of its products for any particular purpose, nor does Motorola assume any liability arising out of the application or use of any product or circuit, and specifically disclaims any and all liability, including without limitation consequential or incidental damages. "Typical" parameters which may be provided in Motorola data sheets and/or specifications can and do vary in different applications and actual performance may vary over time. All operating parameters, including "Typicals" must be validated for each customer application by customer's technical experts. Motorola does not convey any license under its patent rights nor the rights of others. Motorola products are not designed, intended, or authorized for use as components in systems intended for surgical implant into the body, or other applications intended to support or sustain life, or for any other application in which the failure of the Motorola product could create a situation where personal injury or death may occur. Should Buyer purchase or use Motorola products for any such unintended or unauthorized application, Buyer shall indemnify and hold Motorola and its officers, employees, subsidiaries, affiliates, and distributors harmless against all claims, costs, damages, and expenses, and reasonable attorney fees arising out of, directly or indirectly, any claim of personal injury or death associated with such unintended or unauthorized use, even if such claim alleges that Motorola was negligent regarding the design or manufacture of the part. Motorola and  are registered trademarks of Motorola, Inc. Motorola, Inc. is an Equal Opportunity/Affirmative Action Employer.

**How to reach us:**

**USA/EUROPE/Locations Not Listed:** Motorola Literature Distribution; P.O. Box 5405, Denver, Colorado 80217. 1-800-441-2447 or 303-675-2140

**Mfax™:** RMFAX0@email.sps.mot.com – TOUCHTONE 602-244-6609, US & Canada ONLY 1-800-774-1848

**INTERNET:** <http://motorola.com/sps>

**JAPAN:** Nippon Motorola Ltd. SPD, Strategic Planning Office 4-32-1, Nishi-Gotanda Shinagawa-ku, Tokyo 141, Japan. 81-3-5487-8488

**ASIA/PACIFIC:** Motorola Semiconductors H.K. Ltd.; 8B Tai Ping Industrial Park, 51 Ting Kok Road, Tai Po, N.T., Hong Kong. 852-26629298

Mfax is a trademark of Motorola, Inc.



**MOTOROLA**

© Motorola, Inc., 1997

**HC05C4AGRS/D**