

ATTENUATORS

SMA / Type N

DC - 18 GHz
Between Series



MODELS: 2028, 2029, 2030 & 2031

SPECIFICATIONS:

Electrical:

Frequency Range _____ DC - 18 GHz

Standard dB Values* _____ 0 - 10, 12, 15 & 20 dB

Atten. Accuracy _____ 1 dB Increments

0 - 6 dB _____ ± 0.3 dB

7 - 20 dB _____ ± 0.5 dB

VSWR

DC - 4 GHz _____ 1.10:1 Max

4 - 10 GHz _____ 1.20:1 Max

10 - 18 GHz _____ 1.30:1 Max

Input Power _____ 2 Watts Avg. @ 25°C

DERATED LINEARLY TO 0.5 WATTS @ +125°C

Peak Power _____ 250 Watts Max.

(5uSec Pulse, .05% Duty Cycle)

Impedance _____ 50 Ohms

Operating Temp Range _____ -65°C to +125°C

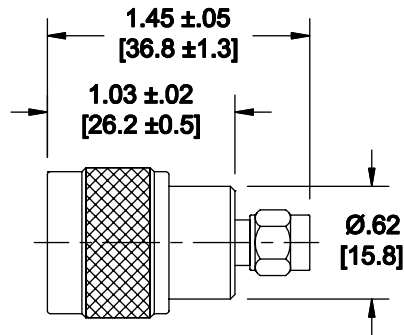
Mechanical:

Connectors _____ Passivated Stainless Steel

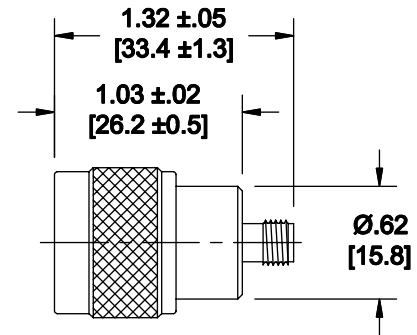
Mates with MIL-STD-348

Conductors _____ Gold Plated Beryllium Copper

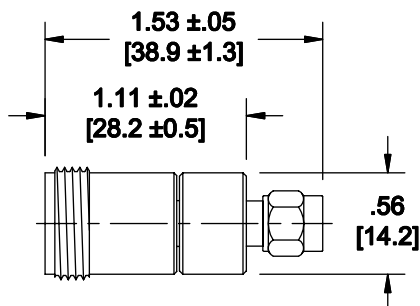
Model Number: 2028-XX
Type N Male / SMA Male



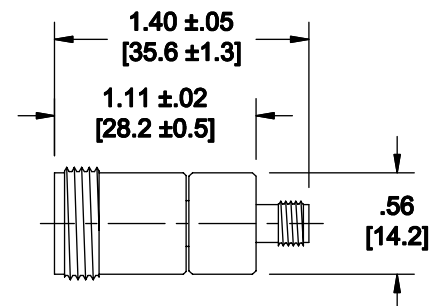
Model Number: 2029-XX
Type N Male / SMA Female



Model Number: 2030-XX
Type N Female / SMA Male



Model Number: 2031-XX
Type N Female / SMA Female



HOW TO ORDER:

Model Number: 20XX-YY

Base Number dB Value

Ordering Example:

Model Number: 2029-20
20 dB; Type N Male / SMA Female

Note: Dimensions in Brackets are Expressed in Millimeters and are for Reference Only.
*Other dB values are also available.

2028; REV H