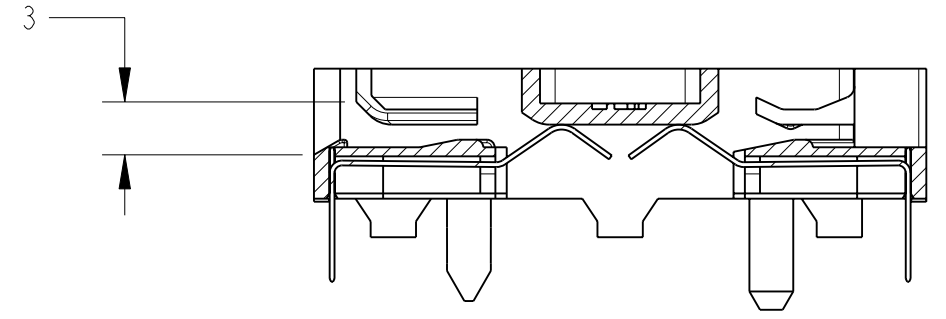
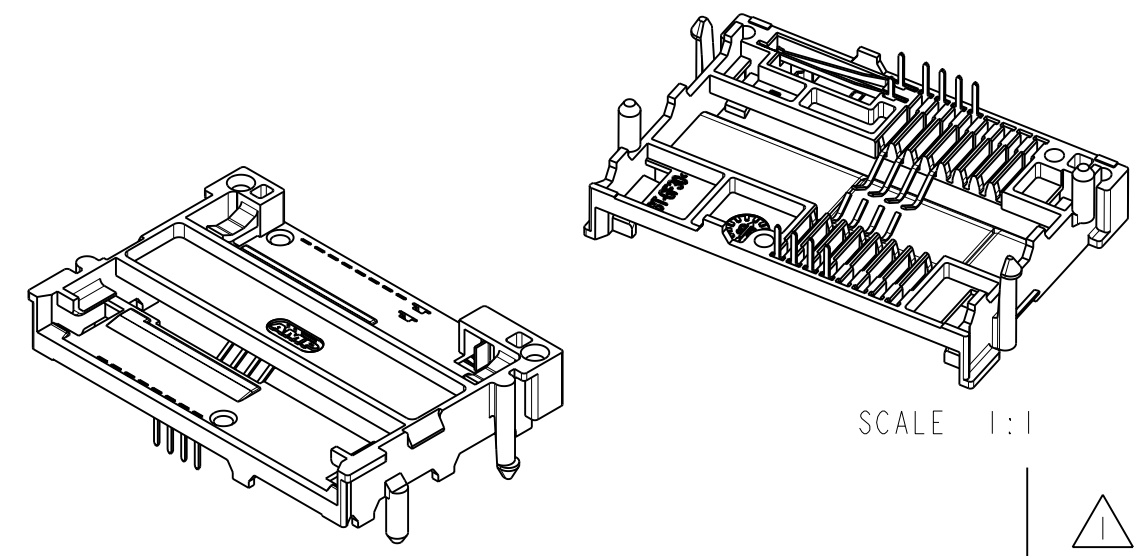


THIS DRAWING IS UNPUBLISHED. RELEASED FOR PUBLICATION
 © COPYRIGHT - BY TYCO ELECTRONICS CORPORATION. ALL INTERNATIONAL RIGHTS RESERVED.

LOC	DIST	REVISIONS					
H	-	P	LTR	DESCRIPTION	DATE	DWN	APVD
		A		FIRST ISSUE	08NOV05	WJ	PJ
		B		ECR-09-024818	12NOV2009	GG	PCH

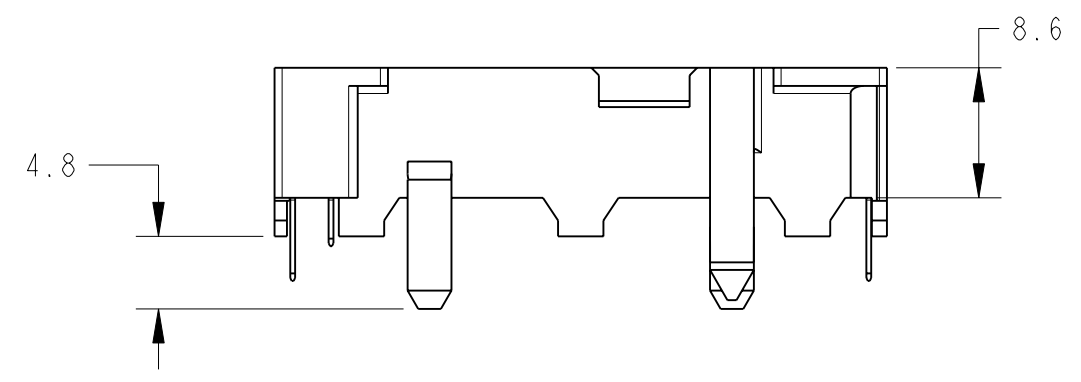
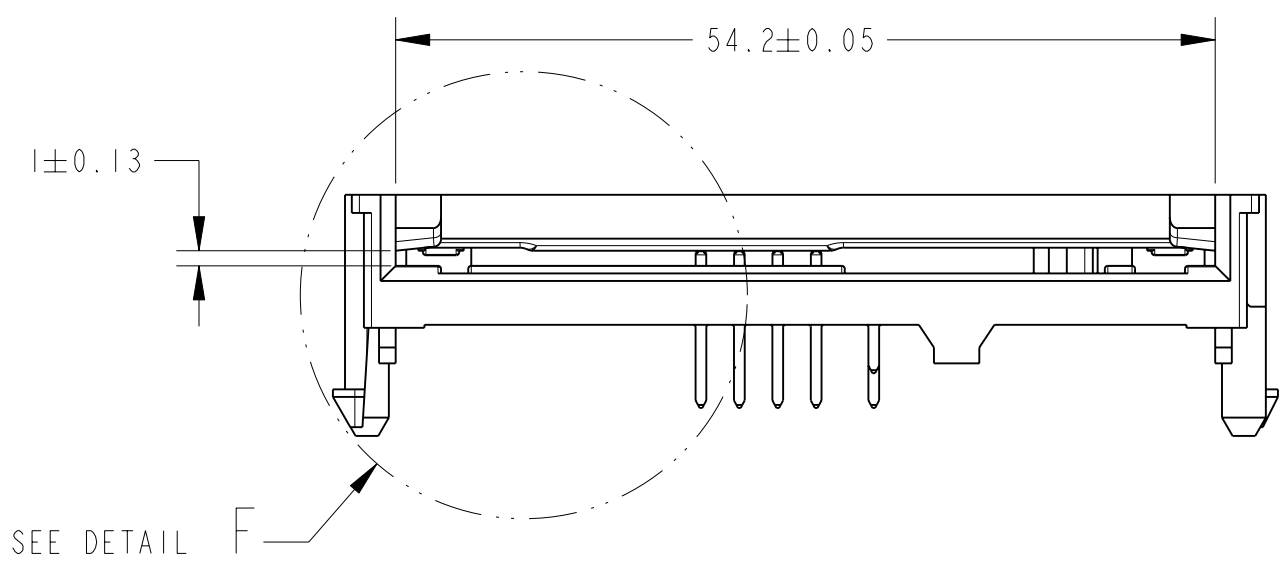


SECTION A-A

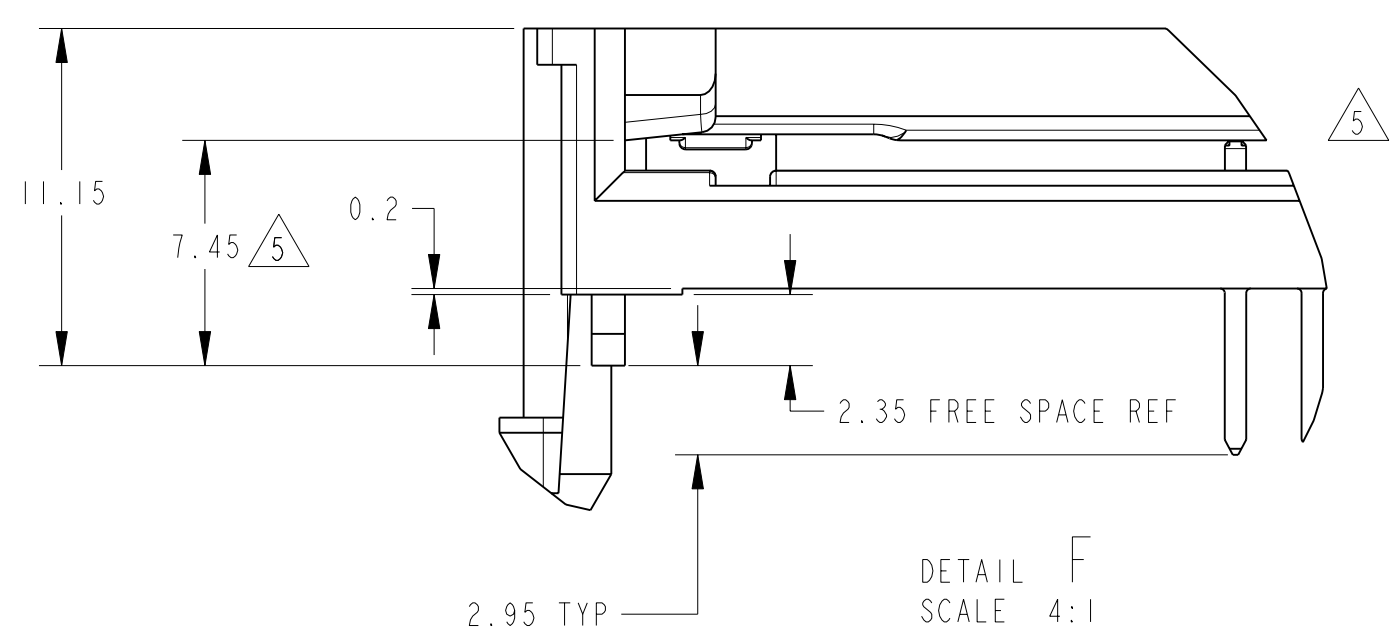
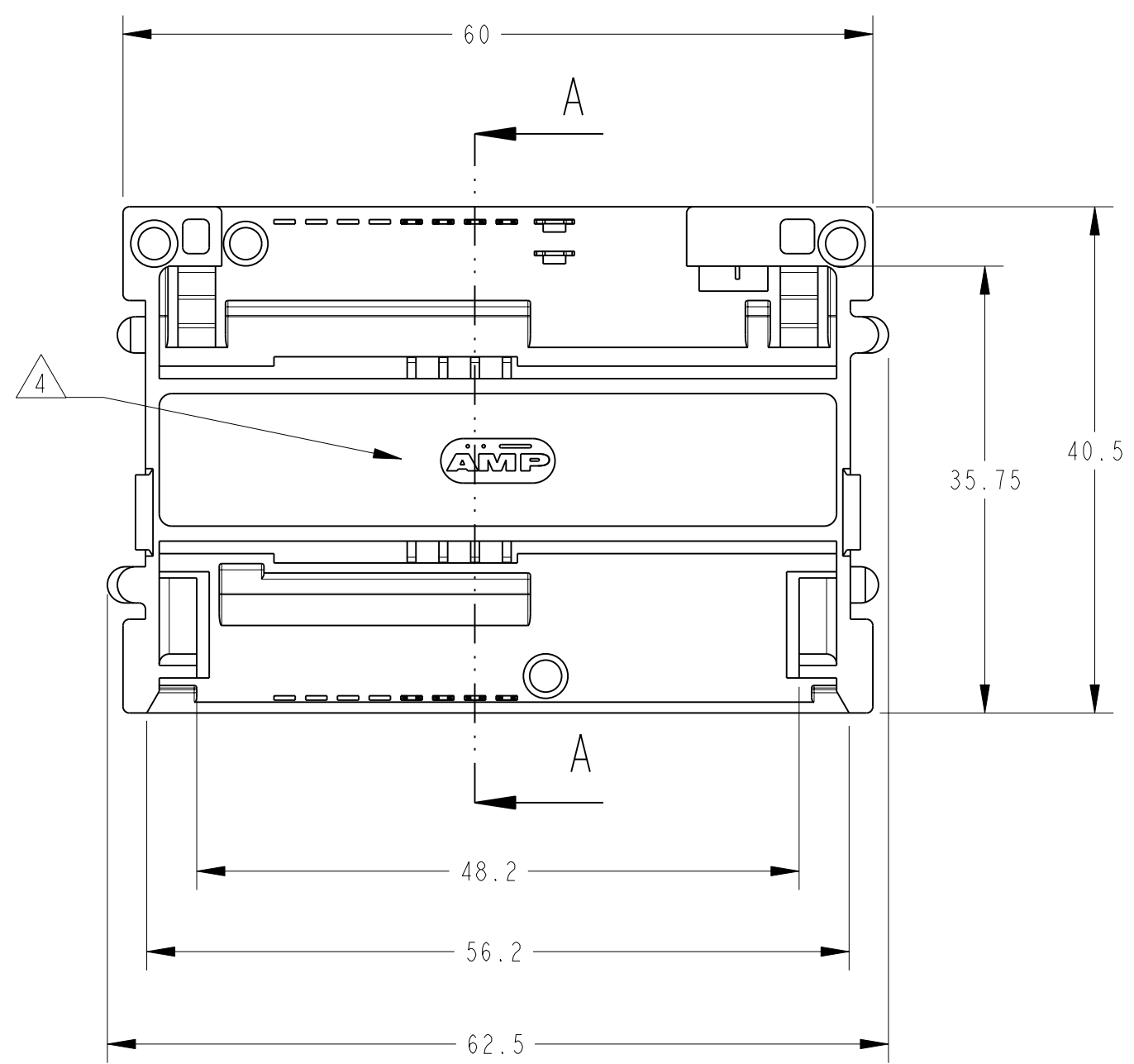


SCALE 1:1

SCALE 1:1



- 1 SMART CARD READER : PBT G-F, BLACK UL 94V0 -
SIGNAL AND SWITCH CONTACTS : PHOSPHOR BRONZE. -
- 2 ALL CONTACTS : 0.76 micron GOLD ON MATING AREAS, -
0.25 micron TIN (LEADFREE/MATTE) ON SOLDERTAILS, -
ALL OVER 1 micron NICKEL. -
(OR)
- 2 SMART CARD READER CONTACTS:PLATING:0.08 micron GOLD ON MATING AREAS
OVER PDNI PLATED 0.3 micron NICKEL UNDERPLATING 2 micron.
ON SOLDERTAILS AREA 2.5 micron TIN (LEADFREE/MATTE)
- 3 TE SMART CARD RECEPTACLE DESIGNED TO ACCEPT -
ISO 7810-7816 TYPE INTEGRATED CIRCUIT SMART -
CARDS (0.76mm REF. THICKNESS) -
SEE SHEET 2/2 -
- 4 LOGO SHAPE AND POSITION VARY DEPENDING ON -
MOLD CAVITY NUMBER. -
- 5 DIMENSION APPLICABLE IN CARD CONTACT AREA ONLY. -
SURFACE VARY DEPENDING ON MOLD CAVITY NUMBER. -

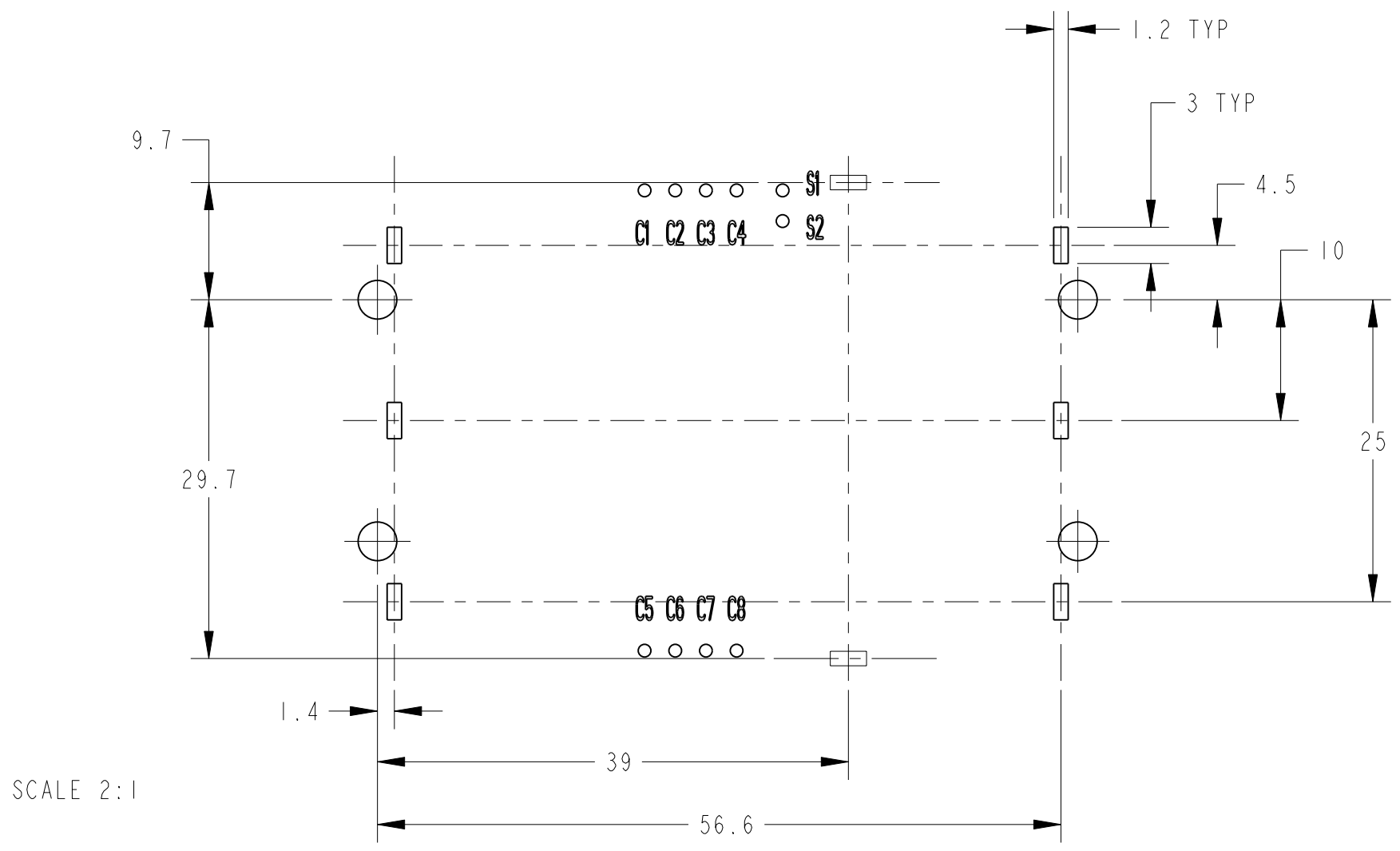


DETAIL F
SCALE 4:1

PartNumber: 1857378-1 8 POSITIONS
ISO 7816

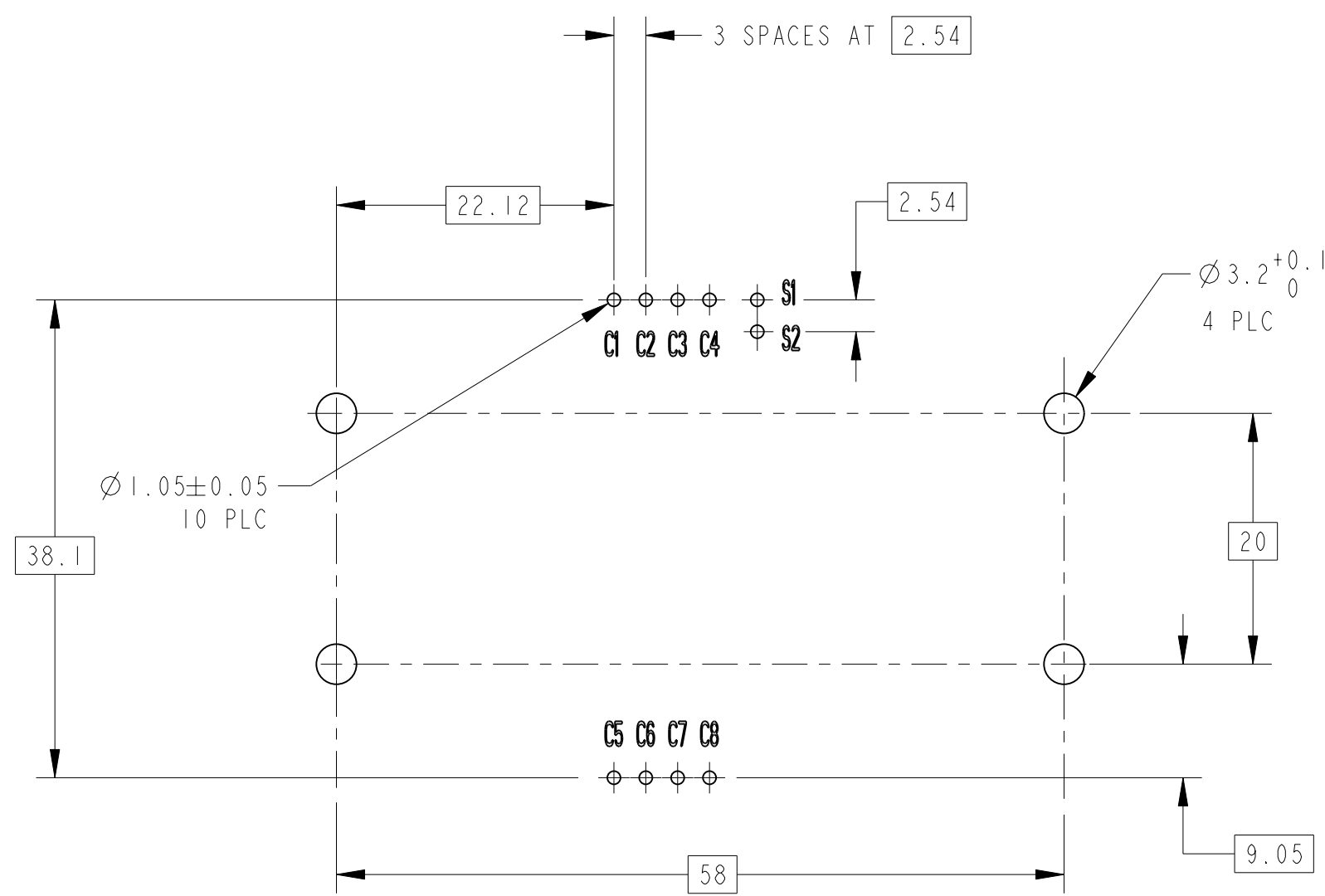
THIS DRAWING IS A CONTROLLED DOCUMENT FOR TYCO ELECTRONICS CORPORATION IT IS SUBJECT TO CHANGE AND THE CONTROLLING ENGINEERING ORGANIZATION SHOULD BE CONTACTED FOR THE LATEST REVISION.		DWN W. Jansen 08-Nov-05	TYCO ELECTRONICS NEDERLAND B.V. 's-HERTOGENBOSCH, THE NETHERLANDS
DIMENSIONS:		CHK W. Jansen 08-Nov-05	
mm	TOLERANCES UNLESS OTHERWISE SPECIFIED:	APVD P. Jaeger 08-Nov-05	
0 PLC ±0,5 1 PLC ±0,3 2 PLC ±0,03 3 PLC ±0,001 4 PLC ±0,0001 ANGLES ± FINISH	PRODUCT SPEC 108-15202 APPLICATION SPEC - WEIGHT 9 g CUSTOMER DRAWING	NAME SMART CARD READER 0.76mm, PCB THROUGH HOLE, RAISED PROFILE WITHOUT 2 NOTCHES SIZE A2 CAGE CODE C-1857387 DRAWING NO. RESTRICTED TO - SCALE 1:1 SHEET 1 OF 2 REV B	

THIS DRAWING IS UNPUBLISHED. RELEASED FOR PUBLICATION
 © COPYRIGHT - BY TYCO ELECTRONICS CORPORATION. ALL INTERNATIONAL RIGHTS RESERVED.



SCALE 2:1

STANDOFF AREA
 SPACE WITHOUT COMPONENTS
 (CONNECTOR SIDE)

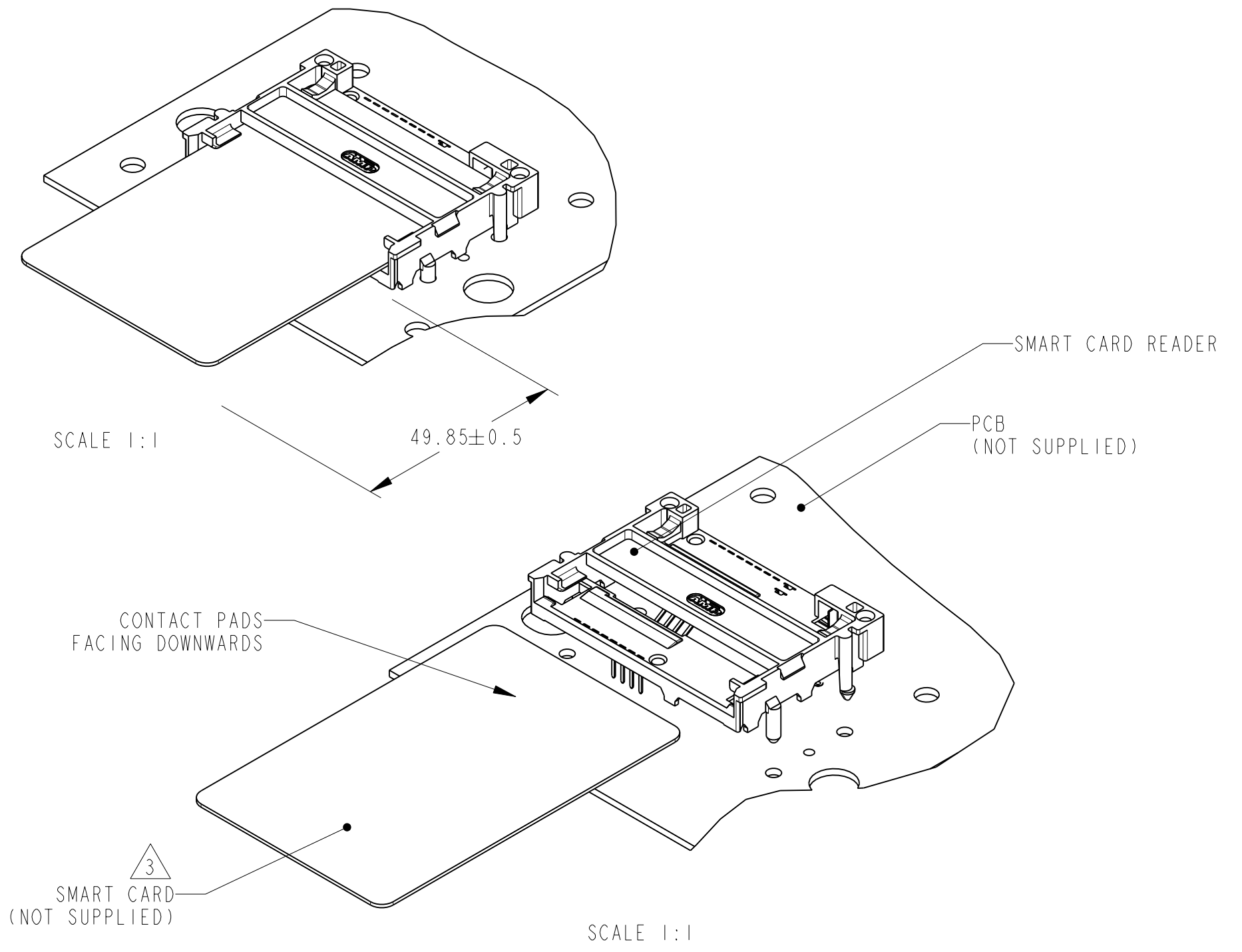


POSITION TOLERANCE FOR ALL HOLES $\pm \phi 0.1$

PC BOARD THICKNESS 1.57 ± 0.1 (.062)
 (CONNECTOR SIDE)

RECOMMENDED PCB LAYOUT

LOC	DIST	REVISIONS					
H	-	P	LTR	DESCRIPTION	DATE	DWN	APVD
		-		SEE SHEET 1			



SCALE 1:1

SCALE 1:1

PCB MOUNTING CONFIGURATION

THIS DRAWING IS A CONTROLLED DOCUMENT FOR TYCO ELECTRONICS CORPORATION IT IS SUBJECT TO CHANGE AND THE CONTROLLING ENGINEERING ORGANIZATION SHOULD BE CONTACTED FOR THE LATEST REVISION.		DWN W. Jansen 08-Nov-05	 TYCO ELECTRONICS NEDERLAND B.V. 's-HERTOGENBOSCH, THE NETHERLANDS
DIMENSIONS: mm		CHK W. Jansen 08-Nov-05	
TOLERANCES UNLESS OTHERWISE SPECIFIED: 0 PLC ±0.5 1 PLC ±0.3 2 PLC ±0.03 3 PLC ±0.001 4 PLC ±0.0001 ANGLES ±		APVD P. Jaeger 08-Nov-05	NAME SMART CARD READER 0.76mm, PCB THROUGH HOLE, RAISED PROFILE WITHOUT 2 NOTCHES
MATERIAL		FINISH	SIZE A2
		CUSTOMER DRAWING	CAGE CODE C-1857387
		WEIGHT	DRAWING NO C-1857387
		RESTRICTED TO	SCALE 1:1
			SHEET 2 OF 2
			REV B