

# 1.25mm (0.049") PITCH CONNECTOR

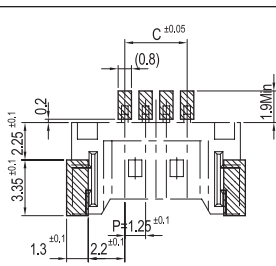
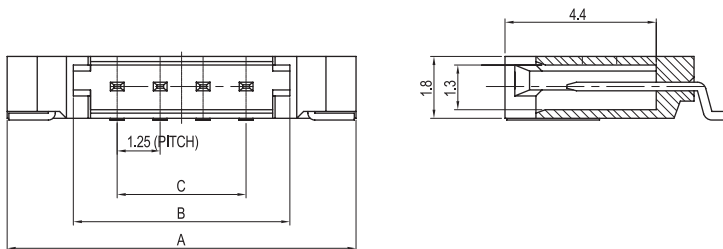
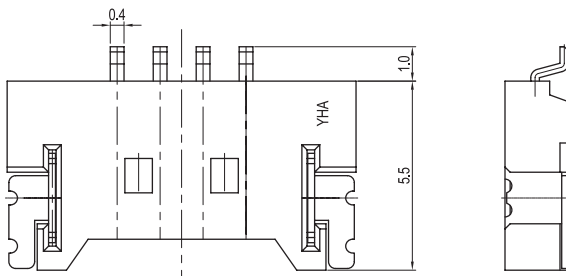
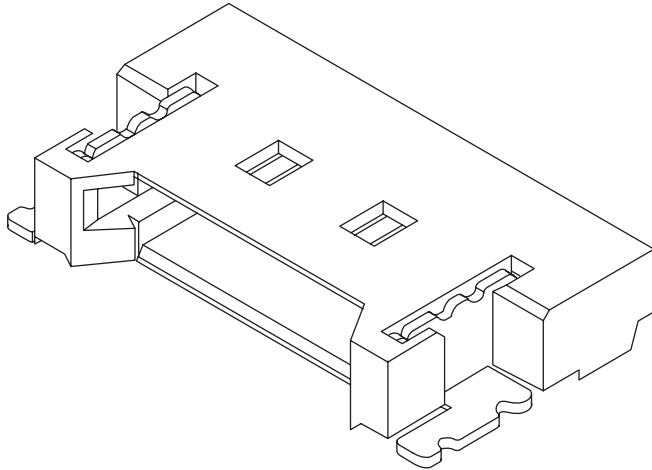


Wire-to-Board  
Wafer

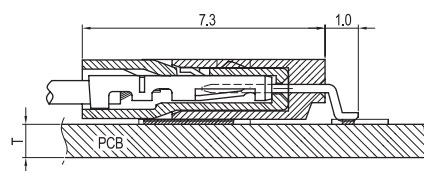
12513WR Series

SMT

Right Angle



PCB LAYOUT



PCB ASS'Y

## Material

I/NO	DESCRIPTION	TITLE	MATERIAL
1	WAFER	12513WR	PPS, PA6T or PA46, UL 94V Grade
2	PIN	12513PR	Phosphor Bronze & Gold-plated
3	HOOK	12513LR	Brass & Tin plated

## Available Pin

PARTS NO.	DIM. A	DIM. B	DIM. C
12513WR-02A00	7.65	3.77	1.25
12513WR-03A00	8.90	5.02	2.50
12513WR-04A00	10.15	6.27	3.75
12513WR-05A00	11.40	7.52	5.00
12513WR-06A00	12.65	8.77	6.25
12513WR-07A00	13.90	10.02	7.50
12513WR-08A00	15.15	11.27	8.75
12513WR-09A00	16.40	12.52	10.00
12513WR-10A00	17.65	13.77	11.25
12513WR-11A00	18.90	15.02	12.50
12513WR-12A00	20.15	16.27	13.75
12513WR-13A00	21.40	17.52	15.00
12513WR-14A00	22.65	18.77	16.25
12513WR-15A00	23.90	20.02	17.50
12513WR-16A00	25.15	21.27	18.75
12513WR-17A00	26.40	22.52	20.00
12513WR-18A00	27.65	23.77	21.25
12513WR-19A00	28.90	25.02	22.50
12513WR-20A00	30.15	26.27	23.75
12513WR-21A00	31.40	27.52	25.00
12513WR-22A00	32.65	28.77	26.25
12513WR-23A00	33.90	30.02	27.50
12513WR-24A00	35.15	31.27	28.75
12513WR-25A00	36.40	32.52	30.00
12513WR-26A00	37.65	33.77	31.25
12513WR-27A00	38.90	35.02	32.50
12513WR-28A00	40.15	36.27	33.75
12513WR-29A00	41.40	37.52	35.00
12513WR-30A00	42.65	38.77	36.25

## Specification

ITEM	SPEC
Voltage Rating	AC/DC 125V
Current Rating	AC/DC 1A
Operating Temperature	-25°C~+85°C
Contact Resistance	30mΩ MAX
Withstanding Voltage	AC250V/1min
Insulation Resistance	100MΩ MIN
Applicable Wire	-
Applicable P.C.B	0.8~1.6mm
Applicable FPC/FFC	-
Solder Height	0.15mm
Crimp Tensile Strength	-
UL FILE NO	-