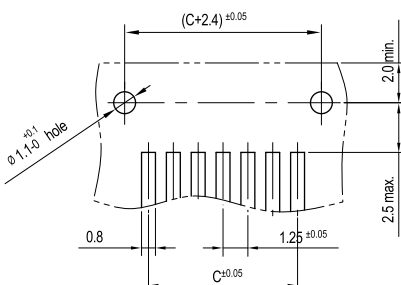
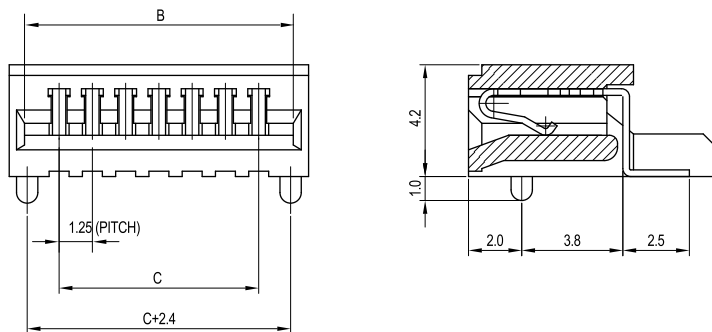
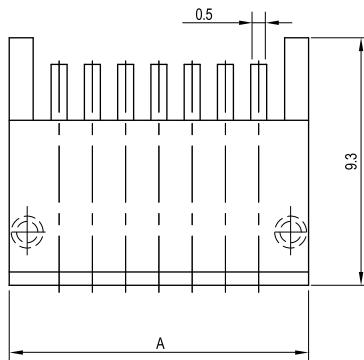
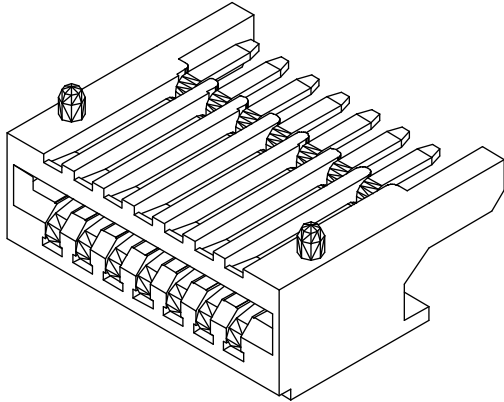


1.25mm (0.049") PITCH CONNECTOR

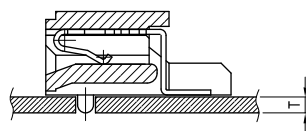


FPC/FFC Connector Housing

12508HR Series
SMT, NON-ZIF(Top Contact Type)
Right Angle



PCB LAYOUT



PCB ASS'Y

Material

I/NO	DESCRIPTION	TITLE	MATERIAL
1	HOUSING	12508HR	PPS, UL 94V Grade
2	TERMINAL	12508TR	Phosphor Bronze & Tin plated

Available Pin

PARTS NO.	A	B	C
12508HR-04A00	7.50	6.35	3.75
12508HR-05A00	8.75	7.60	5.00
12508HR-06A00	10.00	8.85	6.25
12508HR-07A00	11.25	10.10	7.50
12508HR-08A00	12.50	11.35	8.75
12508HR-09A00	13.75	12.60	10.00
12508HR-10A00	15.00	13.85	11.25
12508HR-11A00	16.25	15.10	12.50
12508HR-12A00	17.50	16.35	13.75
12508HR-13A00	18.75	17.60	15.00
12508HR-14A00	20.00	18.85	16.25
12508HR-15A00	21.25	20.10	17.50
12508HR-16A00	22.50	21.35	18.75
12508HR-17A00	23.75	22.60	20.00
12508HR-18A00	25.00	23.85	21.25
12508HR-19A00	26.25	25.10	22.50
12508HR-20A00	27.50	26.35	23.75
12508HR-21A00	28.75	27.60	25.00
12508HR-22A00	30.00	28.85	26.25
12508HR-23A00	31.25	30.10	27.50
12508HR-24A00	32.50	31.35	28.75
12508HR-25A00	33.75	32.60	30.00
12508HR-26A00	35.00	33.85	31.25
12508HR-27A00	36.25	35.10	32.50
12508HR-28A00	37.50	36.35	33.75
12508HR-29A00	38.75	37.60	35.00
12508HR-30A00	40.00	38.85	36.25

Specification

ITEM	SPEC
Voltage Rating	AC/DC 250V
Current Rating	AC/DC 1A
Operating Temperature	-25°C ~ +85°C
Contact Resistance	30mΩ MAX
Withstanding Voltage	AC500V/1min
Insulation Resistance	500MΩ MIN
Applicable Wire	-
Applicable P.C.B	0.8 ~ 1.6mm
Applicable FPC/FFC	0.30±0.05mm
Solder Height	0.15mm
Crimp Tensile Strength	-
UL FILE NO	-