

1.25mm (0.049") PITCH CONNECTOR

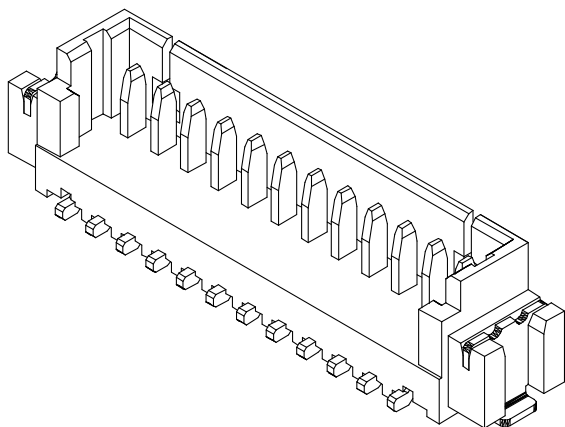


Wire-to-Board
Wafer

12505WS Series

SMT

Straight

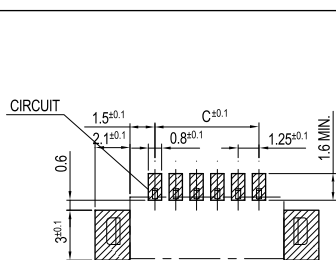
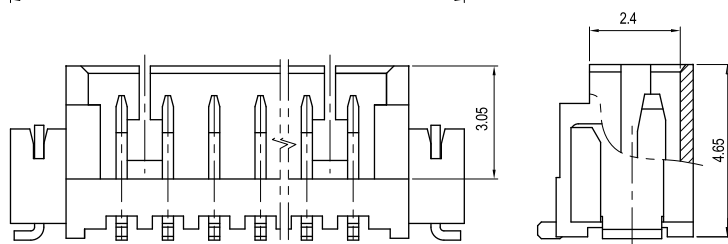
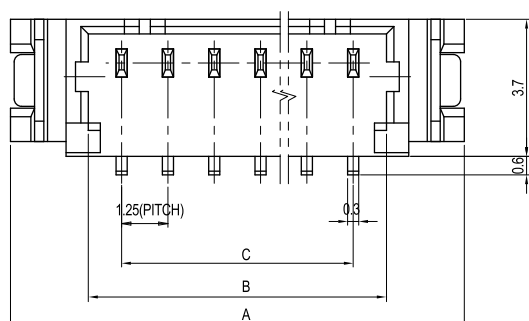


Material

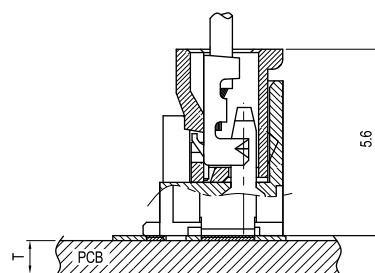
I/NO	DESCRIPTION	TITLE	MATERIAL
1	WAFER	12505WS	PA6T or PA46, UL 94V Grade
2	PIN	12505PS	Phosphor Bronze & Tin Plated
3	HOOK	12505LS	Brass & Tin Plated

Available Pin

PARTS NO.	A	B	C
12505WS-02A00	7.25	3.05	1.25
12505WS-03A00	8.50	4.30	2.50
12505WS-04A00	9.75	5.55	3.75
12505WS-05A00	11.00	6.80	5.00
12505WS-06A00	12.25	8.05	6.25
12505WS-07A00	13.50	9.30	7.50
12505WS-08A00	14.75	10.55	8.75
12505WS-09A00	16.00	11.80	10.00
12505WS-10A00	17.25	13.05	11.25
12505WS-11A00	18.50	14.30	12.50
12505WS-12A00	19.75	15.55	13.75
12505WS-13A00	21.00	16.80	15.00
12505WS-14A00	22.25	18.05	16.25
12505WS-15A00	23.50	19.30	17.50



PCB LAYOUT



PCB ASSY

Specification

ITEM	SPEC
Voltage Rating	AC/DC 125V
Current Rating	AC/DC 1A
Operating Temperature	-25°C~+85°C
Contact Resistance	30mΩ MAX
Withstanding Voltage	AC250V/1min
Insulation Resistance	100MΩ MIN
Applicable Wire	-
Applicable P.C.B	0.8~1.6mm
Applicable FPC/FFC	-
Solder Height	0.15mm
Crimp Tensile Strength	-
UL FILE NO	E108706