

1.25mm (0.049") PITCH CONNECTOR

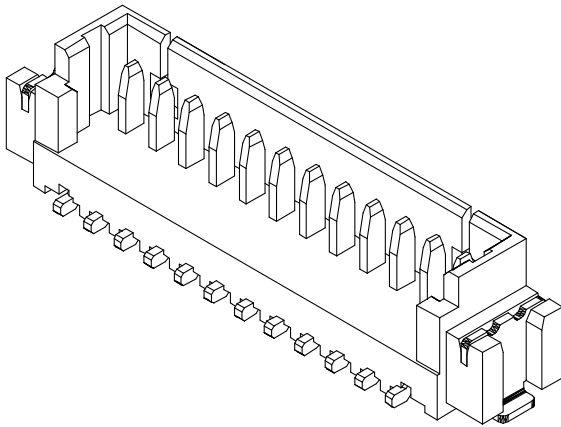


Wire-to-Board
Wafer

12505WS Series

SMT

Straight

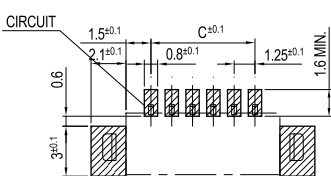
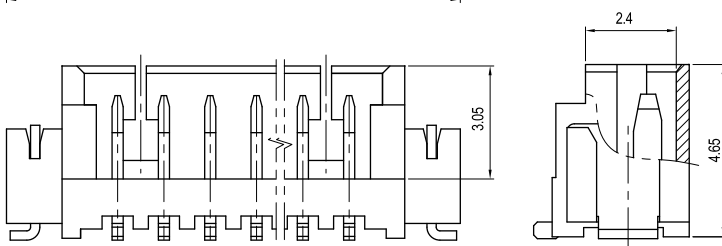
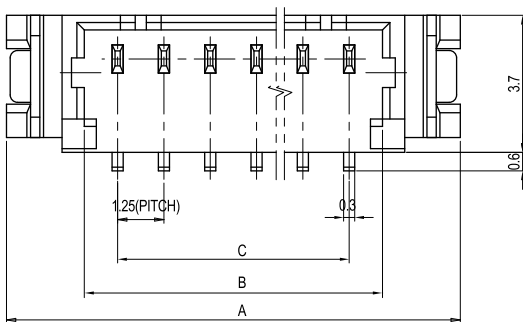


Material

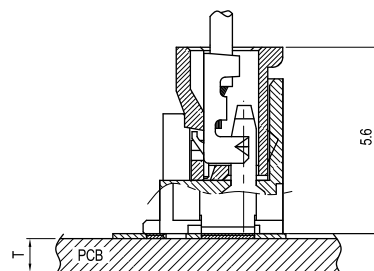
| I/NO | DESCRIPTION | TITLE | MATERIAL |
|------|-------------|---------|------------------------------|
| 1 | WAFER | 12505WS | PA6T or PA46, UL 94V Grade |
| 2 | PIN | 12505PS | Phosphor Bronze & Tin Plated |
| 3 | HOOK | 12505LS | Brass & Tin Plated |

Available Pin

| PARTS NO. | A | B | C |
|---------------|-------|-------|-------|
| 12505WS-02A00 | 7.25 | 3.05 | 1.25 |
| 12505WS-03A00 | 8.50 | 4.30 | 2.50 |
| 12505WS-04A00 | 9.75 | 5.55 | 3.75 |
| 12505WS-05A00 | 11.00 | 6.80 | 5.00 |
| 12505WS-06A00 | 12.25 | 8.05 | 6.25 |
| 12505WS-07A00 | 13.50 | 9.30 | 7.50 |
| 12505WS-08A00 | 14.75 | 10.55 | 8.75 |
| 12505WS-09A00 | 16.00 | 11.80 | 10.00 |
| 12505WS-10A00 | 17.25 | 13.05 | 11.25 |
| 12505WS-11A00 | 18.50 | 14.30 | 12.50 |
| 12505WS-12A00 | 19.75 | 15.55 | 13.75 |
| 12505WS-13A00 | 21.00 | 16.80 | 15.00 |
| 12505WS-14A00 | 22.25 | 18.05 | 16.25 |
| 12505WS-15A00 | 23.50 | 19.30 | 17.50 |



PCB LAYOUT



PCB ASSY

Specification

| ITEM | SPEC |
|------------------------|-------------|
| Voltage Rating | AC/DC 125V |
| Current Rating | AC/DC 1A |
| Operating Temperature | -25°C~+85°C |
| Contact Resistance | 30mΩ MAX |
| Withstanding Voltage | AC250V/1min |
| Insulation Resistance | 100MΩ MIN |
| Applicable Wire | - |
| Applicable P.C.B | 0.8~1.6mm |
| Applicable FPC/FFC | - |
| Solder Height | 0.15mm |
| Crimp Tensile Strength | - |
| UL FILE NO | E108706 |