



CS61535

PCM Line Interface

T-75-11-29

Features

- Provides Analog PCM Line Interface for T1 and PCM-30 Applications
- Provides Line Driver, and Data and Clock Recovery Functions
- Transmit Side Jitter Attenuation Starting at 6 Hz, with > 300 UI of Jitter Tolerance
- Jitter Tolerance of Receiver: 0.4 UI's to 100 kHz
- Microprocessor Controllable
- Compatible with SONET, CCITT G.742, and Other Async. Muxes
- CS61534 Compatibility

General Description

The CS61535 combines the analog transmit and receive line interface functions for a T1/PCM-30 interface in a single 28 pin device. The line interface operates from a single 5 volt supply and is transparent to the framing format. Crystal's EXPERT *Pulse*™ circuitry shapes the transmit pulse internally, providing the appropriate pulse shape for CCITT G.703, or for connecting to DSX-1 cross connects for line lengths ranging from 0 to 655 feet. The transmitter uses a 32-bit elastic store to remove jitter from the transmit data.

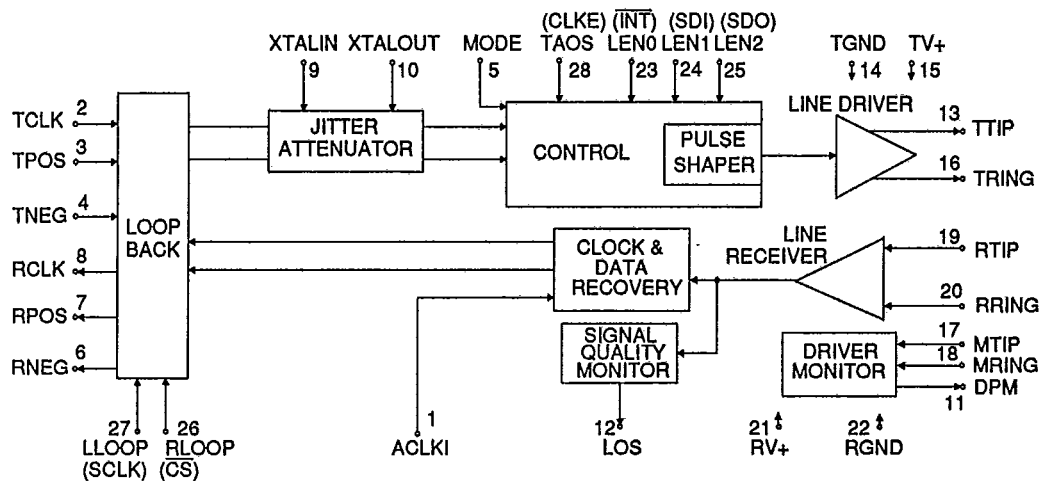
Applications

- Interfacing network transmission equipment such as SONET multiplexor and M13 to a DSX-1 cross connect.
- Interfacing customer premises equipment to a CSU.
- Interfacing to PCM-30 links.

Ordering Information

CS61535-IP	28 Pin Plastic DIP T1 only
CS61535-IP1	28 Pin Plastic DIP T1 & PCM-30
CS61535-IL	28 Pin PLCC (j-leads) T1 only
CS61535-IL1	28 Pin PLCC (j-leads) T1 & PCM-30

Block Diagram



Preliminary Product Information

This document contains information for a new product. Crystal Semiconductor reserves the right to modify this product without notice.

Crystal Semiconductor Corporation
P.O. Box 17847, Austin, TX 78760
(512) 445-7222 FAX: (512) 445-7581

JAN '89
DS40PP1
2-9