

T1/E1 Line Interface

Features

- Provides Analog PCM Line Interface for T1 and E1 Applications
- Provides Line Driver, and Data and Clock Recovery Functions
- Transmit Side Jitter Attenuation Starting at 6 Hz, with > 300 UI of Jitter Tolerance
- Low Power Consumption (typically 175 mW)
- B8ZS/HDB3/AMI Encoders/Decoders
- 14 dB of Transmitter Return Loss
- Compatible with SONET, M13, CCITT G.742, and Other Asynchronous Muxes

General Description

The CS61535A combines the complete analog transmit and receive line interface for T1 or E1 applications in a low power, 28-pin device operating from a +5V supply.

The device features a transmitter jitter attenuator making it ideal for use in asynchronous multiplexor systems with gapped transmit clocks. The CS61535A provides a matched, constant impedance output stage to insure signal quality on mismatched, poorly terminated lines.

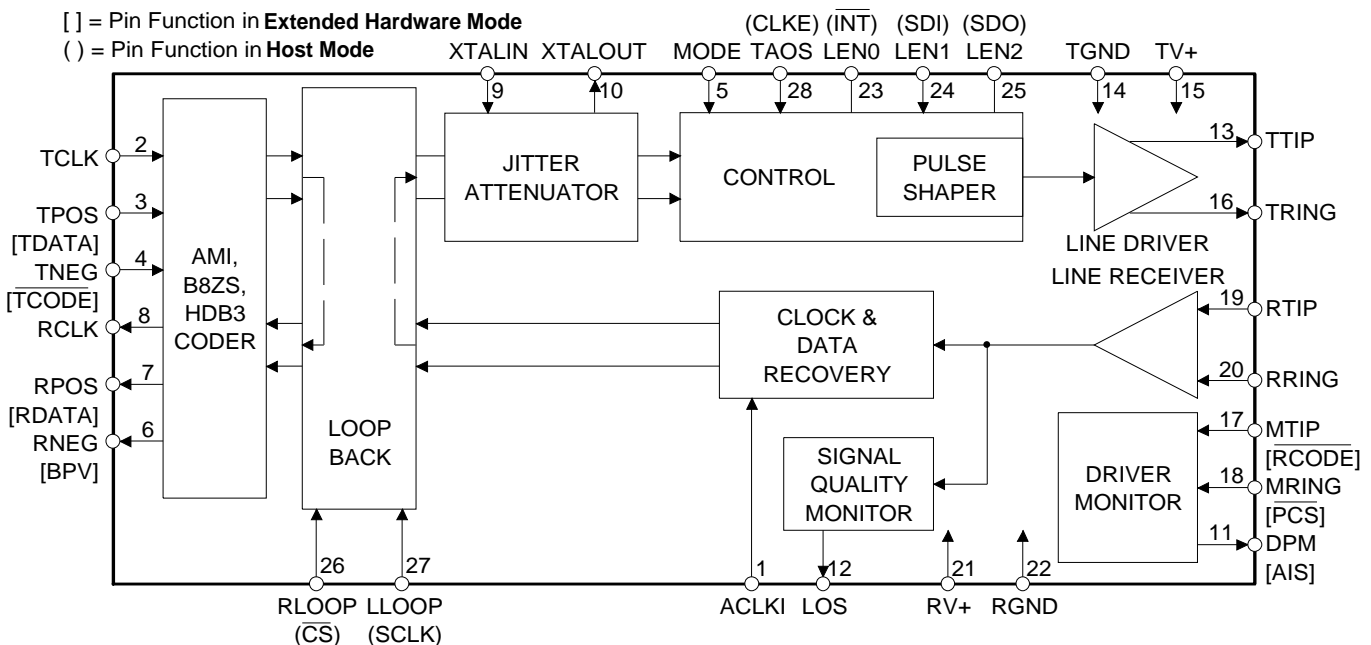
Both ICs use a digital Delay-Locked-Loop clock and data recovery circuit which is continuously calibrated from a crystal reference to provide excellent stability and jitter tolerance.

Applications

- Interfacing network transmission equipment such as SONET multiplexor and M13 to a DSX-1 cross connect.
- Interfacing customer premises equipment to a CSU.
- Interfacing to E1 links.

Ordering Information

| | |
|--------------|-----------------------|
| CS61535A-IP1 | 28 Pin Plastic DIP |
| CS61535A-IL1 | 28 Pin PLCC (j-leads) |



ABSOLUTE MAXIMUM RATINGS

| Parameter | Symbol | Min | Max | Units |
|---|------------------|----------|--------------------|--------|
| DC Supply (referenced to RGND, TGND=0V) | RV+ TV+ | - - | 6.0 (RV+) + 0.3 | V V |
| Input Voltage, Any Pin (Note 1) | V _{in} | RGND-0.3 | (RV+) + 0.3 | V |
| Input Current, Any Pin (Note 2) | I _{in} | -10 | 10 | mA |
| Ambient Operating Temperature | T _A | -40 | 85 | °C |
| Storage Temperature | T _{stg} | -65 | 150 | °C |

WARNING: Operations at or beyond these limits may result in permanent damage to the device.
Normal operation is not guaranteed at these extremes.

- Notes:
1. Excluding RTIP, RRING, which must stay within -6V to (RV+) + 0.3V.
 2. Transient currents of up to 100 mA will not cause SCR latch-up. Also TTIP, TRING, TV+ and TGND can withstand a continuous current of 100 mA.

RECOMMENDED OPERATING CONDITIONS

| Parameter | Symbol | Min | Typ | Max | Units |
|--------------------------------|----------------|------|-----|------|-------|
| DC Supply (Note 3) | RV+, TV+ | 4.75 | 5.0 | 5.25 | V |
| Ambient Operating Temperature | T _A | -40 | 25 | 85 | °C |
| Power Consumption (Notes 4, 5) | P _C | - | 290 | 350 | mW |
| Power Consumption (Notes 4, 6) | P _C | - | 175 | - | mW |

- Notes:
3. TV+ must not exceed RV+ by more than 0.3V.
 4. Power consumption while driving line load over operating temperature range. Includes IC and load. Digital input levels are within 10% of the supply rails and digital outputs are driving a 50 pF load.
 5. Assumes 100% ones density and maximum line length at 5.25V.
 6. Assumes 50% ones density and 300ft. line length at 5.0V.

DIGITAL CHARACTERISTICS (TA = -40°C to 85°C; TV+, RV+ = 5.0V ±5%; GND = 0V)

| Parameter | Symbol | Min | Typ | Max | Units |
|---|-----------------|-------------|-----|-----|-------|
| High-Level Input Voltage Pins 1-4, 17, 18, 23-28 (Notes 7, 8, 9) | V _{IH} | 2.0 | - | - | V |
| Low-Level Input Voltage Pins 1-4, 17, 18, 23-28 (Notes 7, 8, 9) | V _{IL} | - | - | 0.8 | V |
| High-Level Output Voltage (I _{OUT} = -40 μA) Pins 6-8, 11, 12, 25 (Notes 7, 8, 10) | V _{OH} | 4.0 | - | - | V |
| Low-Level Output Voltage (I _{OUT} = 1.6 mA) Pins 6-8, 11, 12, 23, 25 (Notes 7, 8, 10) | V _{OL} | - | - | 0.4 | V |
| Input Leakage Current (Except Pin 5) | | - | - | ±10 | μA |
| Low-Level Input Voltage, Pin 5 | V _{IL} | - | - | 0.2 | V |
| High-Level Input Voltage, Pin 5 | V _{IH} | (RV+) - 0.2 | - | - | V |
| Mid-Level Input Voltage, Pin 5 (Note 11) | V _{IM} | 2.3 | - | 2.7 | V |

- Notes:
7. This specification guarantees TTL compatibility (V_{OH} = 2.4V @ I_{OUT} = -40μA).
 8. In Host Mode, pin 23 is an open drain output and pin 25 is a tristate output.
 9. Pins 17 and 18 of the CS61535A are digital inputs in the Extended Hardware Mode.
 10. Output drivers will drive CMOS logic levels into a CMOS load.
 11. As an alternative to supplying a 2.3-to-2.7V input, this pin may be left floating.

ANALOG SPECIFICATIONS (TA = -40°C to 85°C; TV+, RV+ = 5.0V ±5%; GND = 0V)

| Parameter | Min | Typ | Max | Units | |
|---|------------------|-----|-----|-------|----|
| Jitter Attenuator | | | | | |
| Jitter Attenuation Curve Corner Frequency (Note 12) | - | 6 | - | Hz | |
| T1 Jitter Attenuation in Remote Loopback (Note 13) | | | | | |
| Jitter Freq. [Hz] | Amplitude [UIpp] | | | | |
| 10 | 10 | 3.0 | 6.0 | - | dB |
| 100 | 10 | 20 | 30 | - | dB |
| 500 | 10 | 35 | 35 | - | dB |
| 1k | 5 | 40 | 50 | - | dB |
| 10k, 40k | 0.3 | 40 | 50 | - | dB |
| E1 Jitter Attenuation in Remote Loopback (Note 14) | | | | | |
| Jitter Freq. [Hz] | Amplitude [UIpp] | | | | |
| 10 | 1.5 | 3.0 | 6.0 | - | dB |
| 100 | 1.5 | 20 | 32 | - | dB |
| 400 | 1.5 | 30 | 43 | - | dB |
| 1k | 1.5 | 35 | 50 | - | dB |
| 10k, 100k | 0.2 | 35 | 50 | - | dB |
| Attenuator Input Jitter Tolerance (Note 15) | 12 | 23 | - | UI | |

- Notes:
12. Not production tested. Parameters guaranteed by design and characterization.
 13. Attenuation measured at the demodulator output of an HP3785B with input jitter equal to 3/4 of measured jitter tolerance using a measurement bandwidth of 1 Hz (10<f<100Hz), 4Hz (100<f<1000 Hz) and 10 Hz (f> 1kHz) centered around the jitter frequency. With a 2¹⁵-1 PRBS data pattern. Crystal must meet specifications in CXT6176/8192 datasheet.
 14. Jitter measured at the demodulator output of an HP3785A using a measurement bandwidth not to exceed 20 Hz centered around the jitter frequency. With a 2¹⁵-1 PRBS data pattern. Crystal must meet specifications in CXT6176/8192 datasheet.
 15. Output jitter increases significantly when attenuator input jitter tolerance is exceeded.

ANALOG SPECIFICATIONS (TA = -40°C to 85°C; TV+, RV+ = 5.0V ±5%; GND = 0V)

| Parameter | Min | Typ | Max | Units |
|--|--------|-------|-------|--------|
| Transmitter | | | | |
| AMI Output Pulse Amplitudes (Note 16) | | | | |
| E1, 75 Ω (Note 17) | 2.14 | 2.37 | 2.6 | V |
| E1, 120 Ω (Note 18) | 2.7 | 3.0 | 3.3 | V |
| T1, FCC Part 68 (Note 19) | 2.7 | 3.0 | 3.3 | V |
| T1, DSX-1 (Note 20) | 2.4 | 3.0 | 3.6 | V |
| E1 Zero (space) level (LEN2/1/0 = 0/0/0) | | | | |
| 75Ω application (Note 17) | -0.237 | - | 0.237 | V |
| 120Ω application (Note 18) | -0.3 | - | 0.3 | V |
| Recommended Output Load at TTIP and TRING | - | 75 | - | Ω |
| Jitter Added During Remote Loopback (Note 21) | | | | |
| 10Hz - 8kHz | - | 0.005 | 0.02 | UI |
| 8kHz - 40kHz | - | 0.008 | 0.025 | UI |
| 10Hz - 40kHz | - | 0.010 | 0.025 | UI |
| Broad Band | - | 0.015 | 0.05 | UI |
| Power in 2kHz band about 772kHz (Notes 12, 16) | 12.6 | 15 | 17.9 | dBm |
| Power in 2kHz band about 1.544MHz (Notes 12, 16) (referenced to power in 2kHz band at 772kHz) | -29 | -38 | - | dB |
| Positive to Negative Pulse Imbalance (Notes 12, 16) | | | | |
| T1, DSX-1 | - | 0.2 | 0.5 | dB |
| E1 amplitude at center of pulse | -5 | - | 5 | % |
| E1 pulse width at 50% of nominal amplitude | -5 | - | 5 | % |
| Transmitter Return Loss (Notes 12, 16, 22) | | | | |
| 51 kHz to 102 kHz | 8 | - | - | dB |
| 102 kHz to 2.048 MHz | 14 | - | - | dB |
| 2.048 MHz to 3.072 MHz | 10 | - | - | dB |
| Transmitter Short Circuit Current (Notes 12, 23) | - | - | 50 | mA RMS |

- Notes: 16. Using a 0.47 μF capacitor in series with the primary of a transformer recommended in the Applications Section.
17. Amplitude measured at the transformer (CS61535A-1:1 or 1:1.26) output across a 75 Ω load for line length setting LEN2/1/0 = 0/0/0.
18. Amplitude measured at the transformer (CS61535A-1:1.26) output across a 120 Ω load for line length setting LEN2/1/0 = 0/0/0.
19. Amplitude measured at the transformer (CS61535A-1:1.15) output across a 100 Ω load for line length setting LEN2/1/0 = 0/1/0.
20. Amplitude measured across a 100 Ω load at the DSX-1 cross-connect for line length settings LEN2/1/0 = 0/1/1, 1/0/0, 1/0/1, 1/1/0 and 1/1/1 after the length of #22 AWG ABAM equivalent cable specified in Table 3. The CS61535A requires a 1:1.15 transformer.
21. Input signal to RTIP/RRING is jitter free. Values will reduce slightly if jitter free clock is input to TCLK.
22. Return loss = $20 \log_{10} \text{ABS}((z_1 + z_0)/(z_1 - z_0))$ where z_1 = impedance of the transmitter, and z_0 = impedance of line load. Measured with a repeating 1010 data pattern with LEN2/1/0 = 0/0/0 and a 1:1 transformer terminated with a 75Ω load, or a 1:1.26 transformer terminated with a 120Ω load.
23. Measured broadband through a 0.5 Ω resistor across the secondary of a 1:1.26 transformer during the transmission of an all ones data pattern for LEN2/1/0 = 0/0/0.

ANALOG SPECIFICATIONS (TA = -40°C to 85°C; TV+, RV+ = 5.0V ±5%; GND = 0V)

| Parameter | Min | Typ | Max | Units |
|--|-------|------|------|-----------|
| Driver Performance Monitor | | | | |
| MTIP/MRING Sensitivity: Differential Voltage Required for Detection | - | 0.60 | - | V |
| Receiver | | | | |
| RTIP/RRING Input Impedance | - | 50k | - | Ω |
| Sensitivity Below DSX (0dB = 2.4V) | -13.6 | - | - | dB |
| Data Decision Threshold | | | | |
| T1, DSX-1 (Note 24) | 60 | 65 | 70 | % of peak |
| T1, DSX-1 (Note 25) | 53 | 65 | 77 | % of peak |
| T1, FCC Part 68 and E1 (Note 26) | 45 | 50 | 55 | % of peak |
| Data Decision Threshold | | | | |
| T1 | - | 65 | - | % of peak |
| E1 | - | 50 | - | % of peak |
| Allowable Consecutive Zeros before LOS | 160 | 175 | 190 | bits |
| Receiver Input Jitter Tolerance (Note 27) | | | | |
| 10kHz - 100kHz | 0.4 | - | - | UI |
| 2kHz | 6.0 | - | - | UI |
| 10Hz and below | 300 | - | - | UI |
| Loss of Signal Threshold (Note 28) | 0.25 | 0.30 | 0.50 | V |

Notes: 24. For input amplitude of 1.2 V_{pk} to 4.14 V_{pk}.

25. For input amplitude of 0.5 V_{pk} to 1.2 V_{pk} and from 4.14 V_{pk} to RV+.

26. For input amplitude of 1.05 V_{pk} to 3.3 V_{pk}.

27. Jitter tolerance increases at lower frequencies. See Figure 11.

28. LOS goes high after 160 to 190 consecutive zeros are received. A zero is output on RPOS and RNEG (or RDATA) for each bit period where the input signal amplitude remains below the data decision threshold. The analog input squelch circuit operates when the input signal amplitude above ground on the RTIP and RRING pins falls within the squelch range long enough for the internal slicing threshold to decay within this range. Operation of the squelch causes zeros to be output on RPOS and RNEG as long as the input amplitude remains below 0.25V. During receive LOS, pulses greater than 0.25V in amplitude may be output on RPOS and RNEG. LOS returns low after the ones density reaches 12.5% (based upon 175 bit periods starting with a one and containing less than 100 consecutive zeros) as prescribed in ANSI T1.231-1993.

T1 SWITCHING CHARACTERISTICS (TA = -40°C to 85°C; TV+, RV+ = 5.0V ±5%; GND = 0V; Inputs: Logic 0 = 0V, Logic 1 = RV+; See Figures 1, 2, & 3)

| Parameter | Symbol | Min | Typ | Max | Units |
|---|--------------------|-----|----------|-----|-------|
| Crystal Frequency (Note 29) | f_c | - | 6.176000 | - | MHz |
| ACLKI Duty Cycle | t_{pwh3}/t_{pw3} | 40 | - | 60 | % |
| ACLKI Frequency (Note 30) | f_{aclki} | - | 1.544 | - | MHz |
| RCLK Duty Cycle (Notes 31, 32) | t_{pwh1}/t_{pw1} | - | 78 | - | % |
| RCLK Cycle Width (Note 32) | t_{pw1} | 320 | 648 | 980 | ns |
| | t_{pwh1} | 130 | 190 | 240 | ns |
| | t_{pw1} | 100 | 458 | 850 | ns |
| Rise Time, All Digital Outputs (Note 33) | t_r | - | - | 85 | ns |
| Fall Time, All Digital Outputs (Note 33) | t_f | - | - | 85 | ns |
| TPOS/TNEG (TDATA) to TCLK Falling Setup Time | t_{su2} | 25 | - | - | ns |
| TCLK Falling to TPOS/TNEG (TDATA) Hold Time | t_{h2} | 25 | - | - | ns |
| RPOS/RNEG Valid Before RCLK Falling (Note 34) | t_{su1} | 150 | 274 | - | ns |
| RDATA Valid Before RCLK Falling (Note 35) | t_{su1} | 150 | 274 | - | ns |
| RPOS/RNEG Valid Before RCLK Rising (Note 31) | t_{su1} | 150 | 274 | - | ns |
| RPOS/RNEG Valid After RCLK Falling (Note 34) | t_{h1} | 150 | 274 | - | ns |
| RDATA Valid After RCLK Falling (Note 35) | t_{h1} | 150 | 274 | - | ns |
| RPOS/RNEG Valid After RCLK Rising (Note 31) | t_{h1} | 150 | 274 | - | ns |
| TCLK Frequency | f_{tclk} | - | 1.544 | - | MHz |
| TCLK Pulse Width (Notes 12, 31, 34, 36, 37) | t_{pwh2} | 80 | - | 500 | ns |
| | | 150 | - | 500 | ns |

- Notes: 29. Crystal must meet specifications described in CXT6176/CXT8192 data sheet.
 30. ACLKI provided by an external source or TCLK, but *not* RCLK.
 31. Hardware Mode, or Host Mode (CLKE = 0).
 32. RCLK cycle width will vary with extent by which pulses displaced by jitter. Specified under worst case jitter conditions: 0.4 UI AMI data displacement for T1 and 0.2 UI AMI data displacement for E1.
 33. At max load of 1.6 mA and 50 pF.
 34. Host Mode (CLKE = 1).
 35. Extended Hardware Mode.
 36. The maximum TCLK burst rate is 5 MHz and $t_{pw2}(\text{min}) = 200$ ns. The maximum gap size that can be tolerated on TCLK is 12 VI.
 37. The transmitted pulse width does not depend on the TCLK duty cycle.

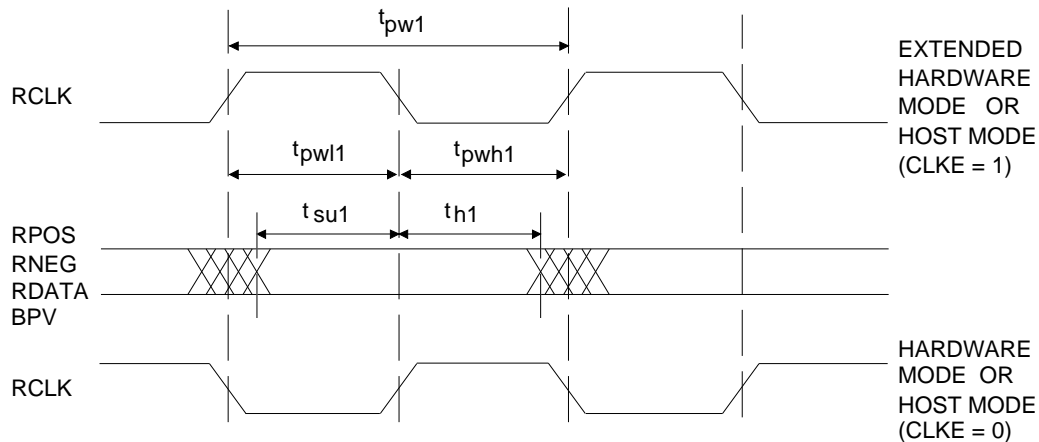


Figure 1. Recovered Clock and Data Switching Characteristics

E1 SWITCHING CHARACTERISTICS (TA = -40°C to 85°C; TV+, RV+ = 5.0V ±5%; GND = 0V; Inputs: Logic 0 = 0V, Logic 1 = RV+; See Figures 1, 2, & 3)

| Parameter | Symbol | Min | Typ | Max | Units |
|---|--------------------|-----|----------|-----|-------|
| Crystal Frequency (Note 29) | f_c | - | 8.192000 | - | MHz |
| ACLKI Duty Cycle | t_{pwh3}/t_{pw3} | 40 | - | 60 | % |
| ACLKI Frequency (Note 30) | f_{aclki} | - | 2.048 | - | MHz |
| RCLK Duty Cycle (Notes 31, 32) | t_{pwh1}/t_{pw1} | - | 29 | - | % |
| RCLK Cycle Width (Note 32) | t_{pw1} | 310 | 488 | 670 | ns |
| | t_{pwh1} | 90 | 140 | 190 | ns |
| | t_{pwl1} | 120 | 348 | 500 | ns |
| RCLK Cycle Width (Note 32) | t_{pw1} | 320 | 488 | 670 | ns |
| | t_{pwh1} | - | 348 | - | ns |
| | t_{pwl1} | 100 | 140 | - | ns |
| Rise Time, All Digital Outputs (Note 33) | t_r | - | - | 85 | ns |
| Fall Time, All Digital Outputs (Note 33) | t_f | - | - | 85 | ns |
| TPOS/TNEG (TDATA) to TCLK Falling Setup Time | t_{su2} | 25 | - | - | ns |
| TCLK Falling to TPOS/TNEG (TDATA) Hold Time | t_{h2} | 25 | - | - | ns |
| RPOS/RNEG Valid Before RCLK Falling (Note 34) | t_{su1} | 100 | 194 | - | ns |
| RDATA Valid Before RCLK Falling (Note 35) | t_{su1} | 100 | 194 | - | ns |
| RPOS/RNEG Valid Before RCLK Rising (Note 31) | t_{su1} | 100 | 194 | - | ns |
| RPOS/RNEG Valid After RCLK Falling (Note 34) | t_{h1} | 100 | 194 | - | ns |
| RDATA Valid After RCLK Falling (Note 35) | t_{h1} | 100 | 194 | - | ns |
| RPOS/RNEG Valid After RCLK Rising (Note 31) | t_{h1} | 100 | 194 | - | ns |
| TCLK Frequency | f_{tclk} | - | 2.048 | - | MHz |
| TCLK Pulse Width (Notes 31, 34, 36, 37) | t_{pwh2} | 80 | - | 340 | ns |
| | | 150 | - | 340 | ns |

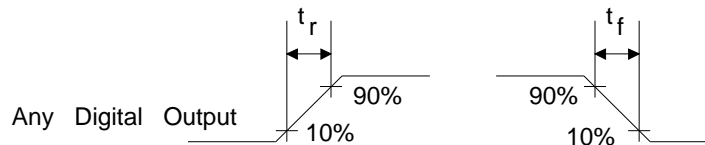


Figure 2. Signal Rise and Fall Characteristics

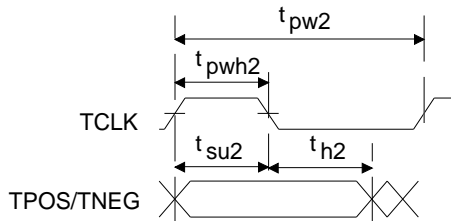


Figure 3a. Transmit Clock and Data Switching Characteristics

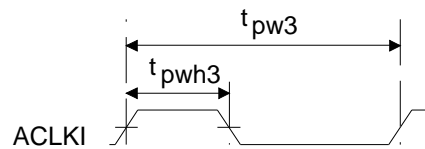


Figure 3b. Alternate External Clock Characteristics

SWITCHING CHARACTERISTICS (TA = -40° to 85°C; TV+, RV+ = ±5%;

Inputs: Logic 0 = 0V, Logic 1 = RV+)

| Parameter | Symbol | Min | Typ | Max | Units |
|---------------------------------------|------------|-----|-----|-----|-------|
| SDI to SCLK Setup Time | t_{dc} | 50 | - | - | ns |
| SCLK to SDI Hold Time | t_{cdh} | 50 | - | - | ns |
| SCLK Low Time | t_{cl} | 240 | - | - | ns |
| SCLK High Time | t_{ch} | 240 | - | - | ns |
| SCLK Rise and Fall Time | t_r, t_f | - | - | 50 | ns |
| CS to SCLK Setup Time | t_{cc} | 50 | - | - | ns |
| SCLK to CS Hold Time (Note 38) | t_{cch} | 50 | - | - | ns |
| CS Inactive Time | t_{cwh} | 250 | - | - | ns |
| SCLK to SDO Valid (Note 39) | t_{cdv} | - | - | 200 | ns |
| CS to SDO High Z | t_{cdz} | - | 100 | - | ns |
| Input Valid To PCS Falling Setup Time | t_{su4} | 50 | - | - | ns |
| PCS Rising to Input Invalid Hold Time | t_{h4} | 50 | - | - | ns |
| PCS Active Low Time | t_{pcsl} | 250 | - | - | ns |

Notes: 38. For CLKE = 0, \overline{CS} must remain low at least 50 ns after the 16th falling edge of SCLK.

39. Output load capacitance = 50pF.

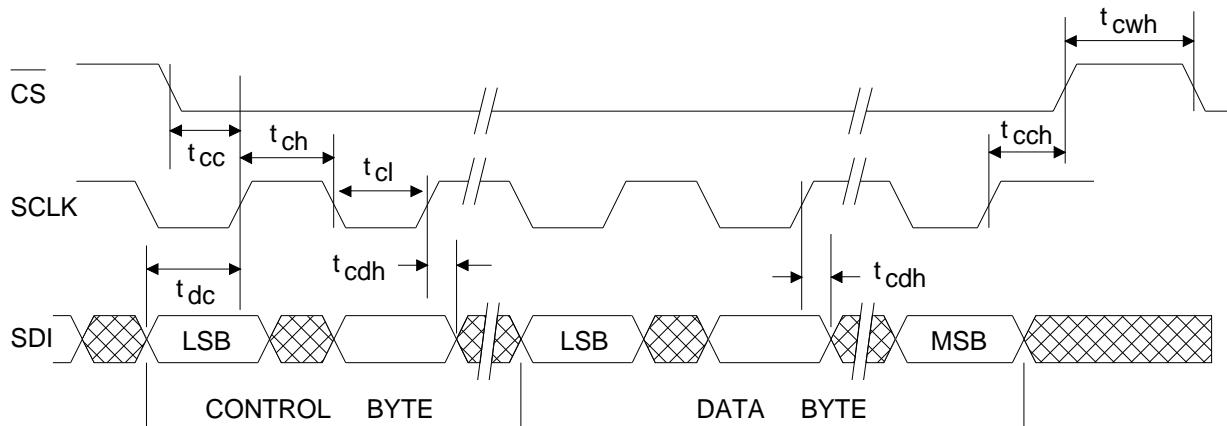


Figure 4. Serial Port Write Timing Diagram

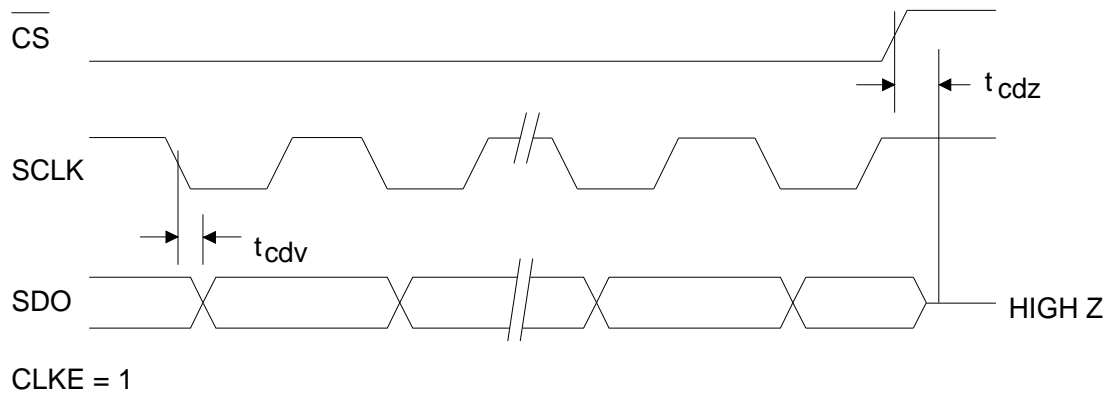


Figure 5. Serial Port Read Timing Diagram

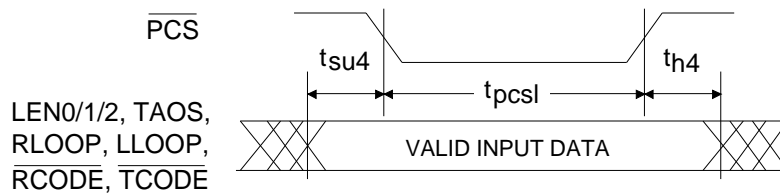


Figure 6. Extended Hardware Mode Parallel Chip Select Timing Diagram

THEORY OF OPERATION

Enhancements in CS61535A

The CS61535A provides higher performance and more features than the CS61535 including:

- 50% lower power consumption,
- Internally matched transmitter output impedance for improved signal quality,
- Optional AMI, B8ZS, HDB3 encoder/decoder or external line coding support,
- Receiver AIS (unframed all ones) detection,
- ANSI T1.231-1993 compliant receiver Loss of Signal (LOS) handling,
- Transmitter TTIP and TRING outputs are forced low when TCLK is static,
- The Driver Performance Monitor operates over a wider range of input signal levels.
- Elimination of the requirement that a reference clock be input on the ACLKI pin.

Existing designs using the CS61535 can be converted to the higher performance, pin-compatible CS61535A if the transmit transformer is replaced by a pin-compatible transformer with a new turns ratio and the 4.4 Ω resistor used in E1 75 Ω applications is shorted.

Introduction to Operating Modes

The CS61535A supports three operating modes which are selected by the level of the MODE pin

| | MODE | | |
|-----------------------------|--------------------------|---|------------------------------|
| | HARDWARE | EXTENDED HARDWARE | HOST |
| MODE-PIN INPUT LEVEL | <0.2V | FLOAT, or 2.5V | >(RV+) - 0.2V |
| CONTROL METHOD | INDIVIDUAL CONTROL LINES | INDIVIDUAL CONTROL LINES & PARALLEL CHIP SELECT | SERIAL μ -PROCESSOR PORT |
| LINE CODE ENCODER & DECODER | NONE | AMI, B8ZS, HDB3 | NONE |
| AIS DETECTION | NO | YES | NO |
| DRIVER PERFORMANCE MONITOR | YES | NO | YES |

Table 1. Differences in Operating Modes

as shown in Tables 1 and 2, Figure 7, and Figures A1-A3 of the Applications section.

The CS61535A modes are Hardware Mode, Extended Hardware Mode, and Host Mode. In Hardware and Extended Hardware Modes, discrete pins are used to configure and monitor the device. The Extended Hardware Mode provides a parallel chip select input which latches the control inputs allowing individual ICs to be configured using a common set of control lines. In the Host Mode, an external processor monitors and configures the device through a serial interface. There are thirteen multi-function pins whose functionality is determined by the operating mode (see Table 2).

Transmitter

The transmitter takes data from a T1 (or E1) terminal, attenuates jitter, and produces pulses of appropriate shape. The transmit clock, TCLK, and transmit data, TPOS & TNEG or TDATA, are supplied synchronously. Data is sampled on the falling edge of the input clock, TCLK.

Either T1 (DSX-1 or Network Interface) or E1 G.703 pulse shapes may be selected. Pulse shaping and signal level are determined by "line length select" inputs as shown in Table 3. The

| FUNCTION | PIN | MODE | | |
|--------------|------|----------|-------------------|-------|
| | | HARDWARE | EXTENDED HARDWARE | HOST |
| TRANSMITTER | 3 | TPOS | TDATA | TPOS |
| | 4 | TNEG | TCODE | TNEG |
| RECEIVER/DPM | 6 | RNEG | BPV | RNEG |
| | 7 | RPOS | RDATA | RPOS |
| | 11 | DPM | AIS | DPM |
| | 17 | MTIP | RCODE | MTIP |
| CONTROL | 18 | MRING | - | MRING |
| | 18 | - | PCS | - |
| | 23 | LEN0 | LEN0 | INT |
| | 24 | LEN1 | LEN1 | SDI |
| | 25 | LEN2 | LEN2 | SDO |
| | 26 | RLOOP | RLOOP | CS |
| | 27 | LLOOP | LLOOP | SCLK |
| 28 | TAOS | TAOS | CLKE | |

Table 2. Pin Definitions

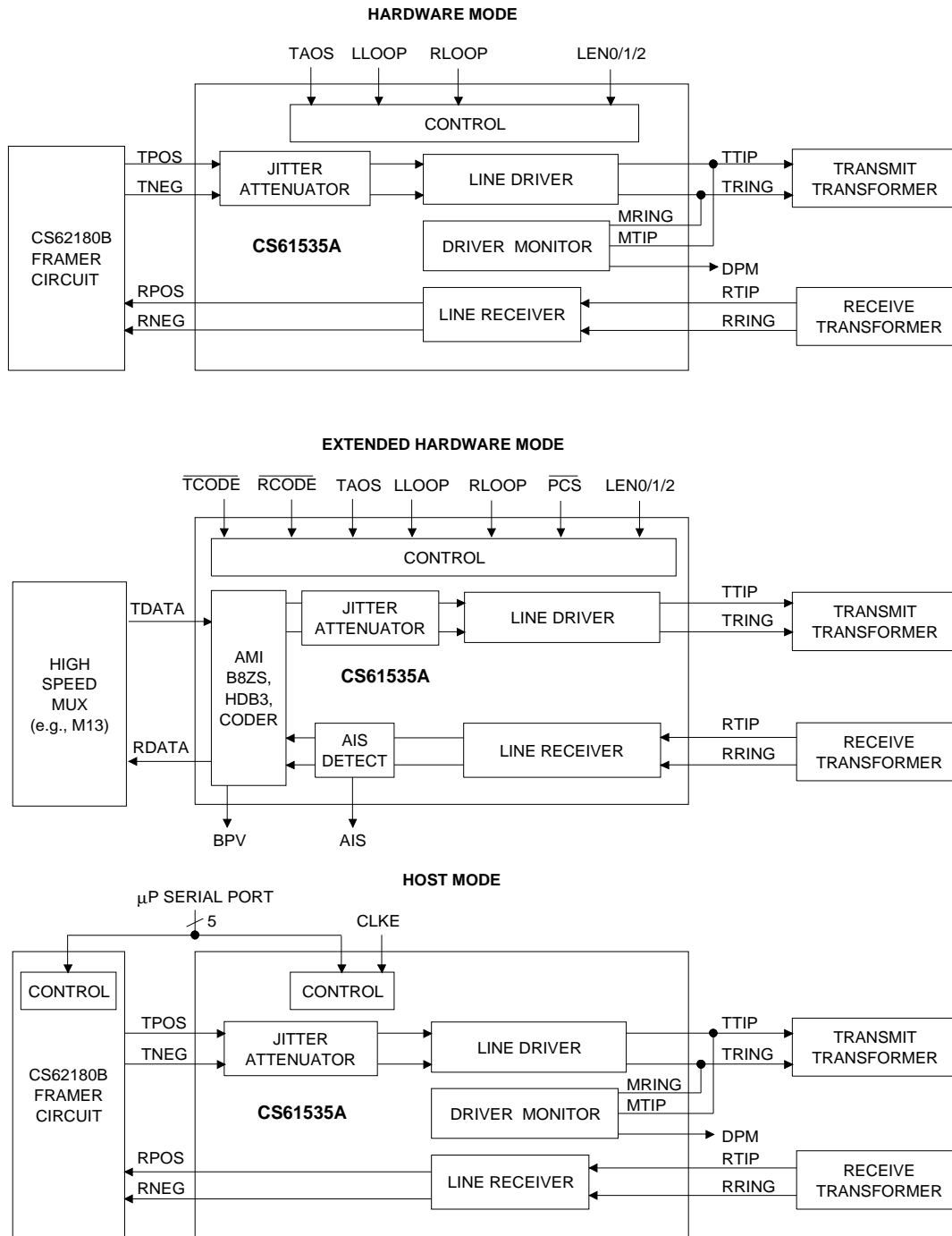


Figure 7. Overview of Operating Modes

| LEN2 | LEN1 | LEN0 | OPTION SELECTED | APPLICATION |
|------|------|------|-------------------------------|---|
| 0 | 1 | 1 | 0-133 FEET | DSX-1 ABAM (AT&T 600B or 600C) |
| 1 | 0 | 0 | 133-266 FEET | |
| 1 | 0 | 1 | 266-399 FEET | |
| 1 | 1 | 0 | 399-533 FEET | |
| 1 | 1 | 1 | 533-655 FEET | |
| 0 | 0 | 1 | AT&T CB113 (CS61535A only) | REPEATER |
| 0 | 0 | 0 | CCITT G.703 | 2.048 MHz E1 |
| 0 | 1 | 0 | FCC Part 68, Option A | CSU NETWORK INTERFACE |
| 0 | 1 | 1 | ANSI T1.403 | |

Table 3. Line Length Selection

CS61535A line driver is designed to drive a 75 Ω equivalent load.

For T1 DSX-1 applications, line lengths from 0 to 655 feet (as measured from the transmitter to the DSX-1 cross connect) are selectable. The five partition arrangement meets ANSI T1.102-1993 requirements when using ABAM cable. A typical output pulse is shown in Figure 8. These pulse settings can also be used to meet CCITT pulse shape requirements for 1.544 MHz operation.

For T1 Network Interface applications, additional options are provided. Note that the optimal pulse width for Part 68 (324 ns) is narrower than the optimal pulse width for DSX-1 (350 ns). The CS61535A automatically adjusts the pulse width based upon the "line length" selection made.

The E1 G.703 pulse shape is supported with line length selection LEN2/1/0=0/0/0. The pulse

width will meet the G.703 pulse shape template shown in Figure 9, and specified in Table 4.

For E1 applications, the CS61535A driver provides 14 dB of return loss during the transmission of both marks and spaces. This improves signal quality by minimizing reflections off the transmitter. Similar levels of return loss are provided for T1 applications.

The CS61535A transmitter will detect a failed TCLK, and will force the TTIP and TRING outputs low.

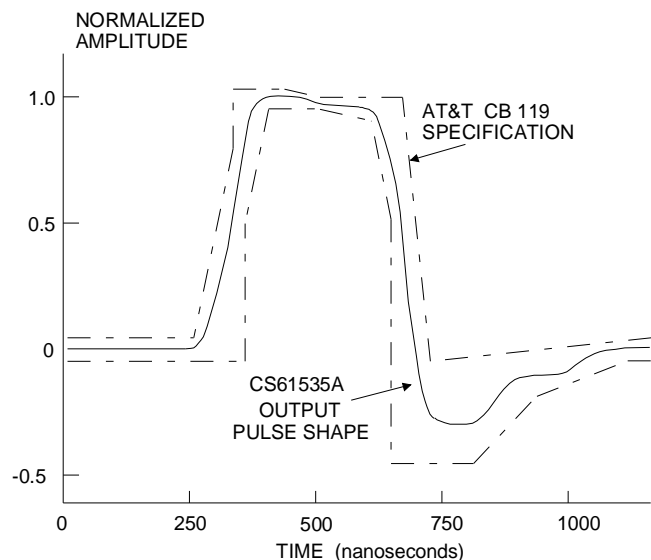


Figure 8. Typical Pulse Shape at DSX-1 Cross Connect

| | For coaxial cable, 75Ω load and transformer specified in Application Section. | For shielded twisted pair, 120Ω load and transformer specified in Application Section. |
|---|---|--|
| Nominal peak voltage of a mark (pulse) | 2.37 V | 3 V |
| Peak voltage of a space (no pulse) | 0 ±0.237 V | 0 ±0.30 V |
| Nominal pulse width | 244 ns | |
| Ratio of the amplitudes of positive and negative pulses at the center of the pulse interval | 0.95 to 1.05* | |
| Ratio of the widths of positive and negative pulses at the nominal half amplitude | 0.95 to 1.05* | |

* When configured with a 0.47 μF nonpolarized capacitor in series with the TX transformer primary as shown in Figures A1, A2 and A3.

Table 4. CCITT G.703 Specifications

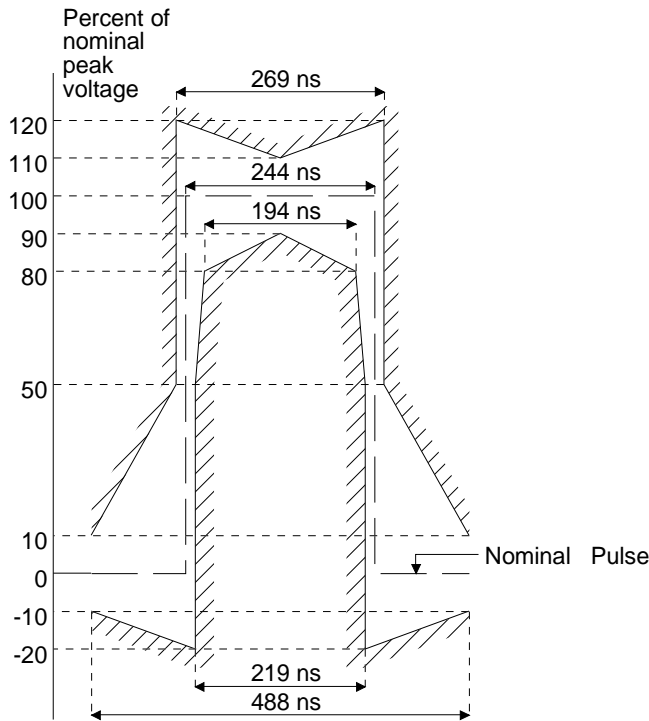


Figure 9 . Mask of the Pulse at the 2048 kbps Interface

When any transmit control pin (TAOS, LEN0-2 or LLOOP) is toggled, the transmitter stabilizes within 22 bit periods. The transmitter will take longer to stabilize when RLOOP is selected because the timing circuitry must adjust to the new frequency.

Jitter Attenuator

The jitter attenuator is designed to reduce wander and jitter in the transmit clock signal. It consists of a 32 bit FIFO, a crystal oscillator, a set of load capacitors for the crystal, and control logic. The jitter attenuator exceeds the jitter attenuation requirements of Publications 43802 and REC. G.742. A typical jitter attenuation curve is shown in Figure 10.

The jitter attenuator works in the following manner. Data on TPOS and TNEG (or TDATA) are written into the jitter attenuator’s FIFO by TCLK. The rate at which data is read out of the FIFO and transmitted is determined by the oscillator. Logic circuits adjust the capacitive loading on the crys-

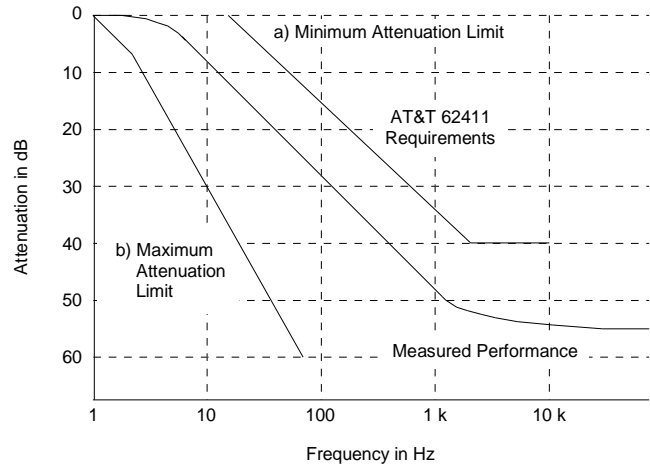


Figure 10. Typical Jitter Attenuation Curve

tal to set its oscillation frequency to the average of the TCLK frequency. Signal jitter is absorbed in the FIFO.

Jitter Tolerance of Jitter Attenuator

The FIFO in the jitter attenuator is designed to neither overflow nor underflow. If the jitter amplitude becomes very large, the read and write pointers may get very close together. Should the pointers attempt to cross, the oscillator’s divide by four circuit adjusts by performing a divide by 3 1/2 or divide by 4 1/2 to prevent the overflow or underflow. When a divide by 3 1/2 or 4 1/2 occurs, the data bit will be driven on to the line either an eighth bit period early or an eighth bit period late.

When the TCLK frequency is close to the center frequency of the crystal oscillator, the high frequency jitter tolerance is 23 UI before the divide by 3 1/2 or 4 1/2 circuitry is activated. As the center frequency of the oscillator and the TCLK frequency deviate from one another, the jitter tolerance is reduced. As this frequency deviation becomes large, the maximum jitter tolerance at high frequencies is reduced to 12 UI before the underflow/overflow circuitry is activated. In application, it is unlikely that the oscillator center frequency will be precisely aligned with the

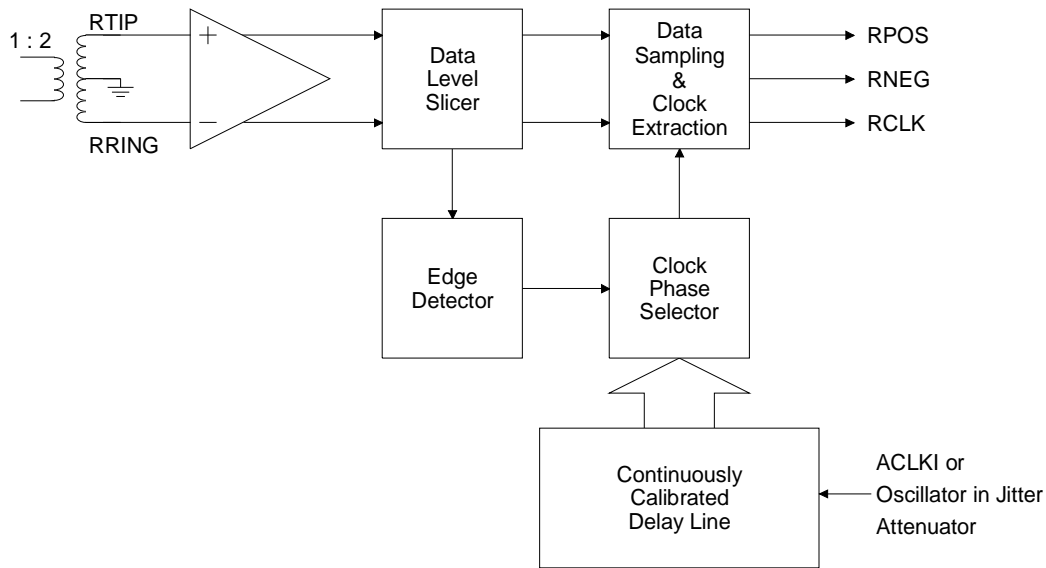


Figure 11. Receiver Block Diagram

TCLK frequency due to allowable TCLK tolerance, part to part variations, crystal to crystal variations, and crystal temperature drift. The oscillator tends to track low frequency jitter so jitter tolerance increases as jitter frequency decreases.

The crystal frequency must be 4 times the nominal signal frequency: 6.176 MHz for 1.544 MHz operation; 8.192 MHz for 2.048 MHz applications. Internal capacitors load the crystal, controlling the oscillation frequency. The crystal must be designed so that over operating temperature, the oscillator frequency range exceeds the system frequency tolerance. Crystal Semiconductor offers the CXT6176 & CXT8192 crystals, which yield optimum performance with the CS61535A.

Transmit All Ones Select

The transmitter provides for all ones insertion at the frequency of ACLKI. Transmit all ones is selected when TAOS goes high, and causes continuous ones to be transmitted on the line (TTIP and TRING). In this mode, the TPOS and TNEG (or TDATA) inputs are ignored. A TAOS request will be ignored if remote loopback is in effect. ACLKI jitter will be attenuated. TAOS is

not available on the CS61535A when ACLKI is grounded.

Receiver

The receiver extracts data and clock from an AMI (Alternate Mark Inversion) coded signal and outputs clock and synchronized data. The receiver is sensitive to signals over the entire range of cable lengths and requires no equalization or ALBO (Automatic Line Build Out) circuits. The signal is received on both ends of a center-tapped, center-grounded transformer. The transformer is center-tapped on the IC side. The clock and data recovery circuit exceeds the jitter tolerance specifications of Publications 43802, 43801, 62411 amended, TR-TSY-000170, and CCITT REC. G.823.

A block diagram of the receiver is shown in Figure 11. The two leads of the transformer (RTIP and RRING) have opposite polarity allowing the receiver to treat RTIP and RRING as unipolar signals. Comparators are used to detect pulses on RTIP and RRING. The comparator thresholds are dynamically established at a percent of the peak level (50% of peak for E1, 65% of peak for T1; with the slicing level selected by LEN2/1/0).

The receiver uses an edge detector and a continuously calibrated delay line to generate the recovered clock. The delay line divides its reference clock, ACLKI or the jitter attenuator's oscillator, into 13 equal divisions or phases. Continuous calibration assures timing accuracy, even if temperature or power supply voltage fluctuate.

The leading edge of an incoming data pulse triggers the clock phase selector. The phase selector chooses one of the 13 available phases which the delay line produces for each bit period. The output from the phase selector feeds the clock and data recovery circuits which generate the recovered clock and sample the incoming signal at appropriate intervals to recover the data. The jitter tolerance of the receiver exceeds that shown in Figure 12.

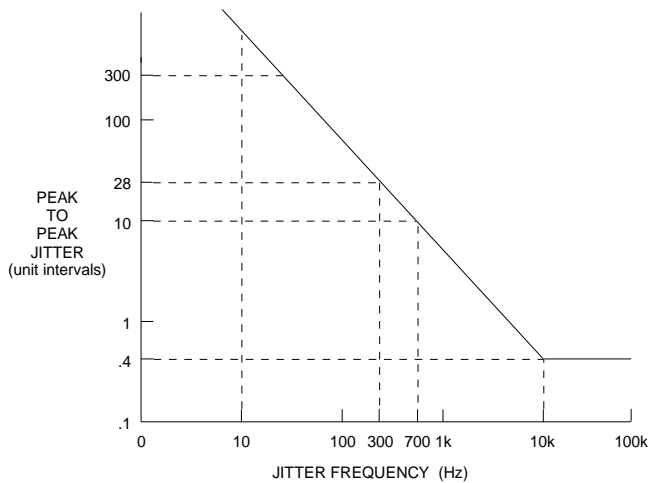


Figure 12. Input Jitter Tolerance of Receiver

The CS61535A outputs a clock immediately upon power-up. The clock recovery circuit is calibrated, and the device will lock onto the AMI data input immediately. If loss of signal occurs, the RCLK frequency will equal the ACLKI frequency.

In the Hardware Mode, data at RPOS and RNEG is stable and may be sampled on the rising edge of the recovered clock. In the Extended Hardware Mode, data at RDATA is stable and may be sampled on the falling edge of the recovered clock. In

the Host Mode, CLKE determines the clock polarity for which output data is stable and valid as shown in Table 5.

| MODE (pin 5) | CLKE (pin 28) | DATA | CLOCK | Clock Edge for Valid Data |
|---------------------|---------------|---------------------|----------------------|------------------------------|
| LOW (<0.2V) | X | RPOS RNEG | RCLK RCLK | Rising Rising |
| HIGH (>(V+) - 0.2V) | LOW | RPOS RNEG SDO | RCLK RCLK SCLK | Rising Rising Falling |
| HIGH (>(V+) - 0.2V) | HIGH | RPOS RNEG SDO | RCLK RCLK SCLK | Falling Falling Rising |
| MIDDLE (2.5V) | X | RDATA | RCLK | Falling |

X = Don't care

Table 5. Data Output/Clock Relationship

Jitter and Recovered Clock

The CS61535A are designed for error free clock and data recovery from an AMI encoded data stream in the presence of more than 0.4 unit intervals of jitter at high frequency. The clock recovery circuit is also tolerant of long strings of zeros. The edge of an incoming data bit causes the circuitry to choose a phase from the delay line which most closely corresponds with the arrival time of the data edge, and that clock phase triggers a pulse which is typically 140 ns in duration. This phase of the delay line will continue to be selected until a data bit arrives which is closer to another of the 13 phases, causing a new phase to be selected. The largest jump allowed along the delay line is six phases.

When an input signal is jitter free, the phase selection will occasionally jump between two adjacent phases resulting in RCLK jitter with an amplitude of 1/13 UIpp. These single phase jumps are due to differences in frequency of the incoming data and the calibration clock input to ACLKI. For T1 operation of the CS61535A, the instantaneous period can be $14/13 * 648 \text{ ns} = 698 \text{ ns}$ (1,662,769 Hz) or $12/13 * 648 \text{ ns} = 598 \text{ ns}$ (1,425,231 Hz) when adjacent clock phases are chosen. As long as the same phase is chosen, the

period will be 648 ns. Similar calculations hold for the E1 rate.

The clock recovery circuit is designed to accept at least 0.4 UI of jitter at the receiver. Since the data stream contains information only when ones are transmitted, a clock/data recovery circuit must assume a zero when no signal is measured during a bit period. Likewise, when zeros are received, no information is present to update the clock recovery circuit regarding the trend of a signal which is jittered. The result is that two ones that are separated by a string of zeros can exhibit maximum deviation in pulse arrival time. For example, one half of a period of jitter at 100 kHz occurs in 5 μ s, which is 7.7 T1 bit periods. If the jitter amplitude is 0.4 UI, then a one preceded by seven zeros can have maximum displacement in arrival time, i.e. either 0.4 UI too early or 0.4 UI too late. For the CS61535A, the data recovery circuit correctly assigns a received bit to its proper clock period if it is displaced by less than 6/13 of a bit period from its optimal location. Theoretically, this would give a jitter tolerance of 0.46 UI. The actual jitter tolerance of the CS61535A is only slightly less than the ideal.

In the event of a maximum jitter hit, the RCLK clock period immediately adjusts to align itself with the incoming data and prepare to accurately place the next one, whether it arrives one period later, or after another string of zeros and is displaced by jitter. For a maximum early jitter hit, RCLK will have a period of $7/13 * 648 \text{ ns} = 349 \text{ ns}$ (2,865,961 Hz). For a maximum late jitter hit, RCLK will have a period of $19/13 * 648 \text{ ns} = 947 \text{ ns}$ (1,055,880 Hz).

Loss of Signal

Receiver loss of signal is indicated upon receiving 175 consecutive zeros. A digital counter counts received zeros based on RCLK cycles. A zero input is determined either when zeros are re-

ceived, or when the received signal amplitude drops below a 0.3 V peak threshold.

The receiver reports loss of signal by setting the Loss of Signal pin, LOS, high. If the serial interface is used, the LOS bit will be set and an interrupt issued on INT. LOS will go low (and flag the INT pin again if serial I/O is used) when a valid signal is detected. Note that in the Host Mode, LOS is simultaneously available from both the register and pin 12.

In a loss of signal state, the RCLK frequency will be equal to the ACLKI frequency since ACLKI is being used to calibrate the clock recovery circuit. Received data is output on RPOS and RNEG (or RDATA) regardless of LOS status. The LOS returns to logic zero when the ones density reaches 12.5% (based upon 175 bit periods starting with a one and containing less than 100 consecutive zeros) as prescribed in ANSI T1.231-1993. A power-up or manual reset will also set LOS high.

Local Loopback

The local loopback mode takes clock and data presented on TCLK, TPOS, and TNEG (or TDATA) and outputs it at RCLK, RPOS and RNEG (or RDATA). Local loopback is selected by taking pin 27 high, or LLOOP may be selected using the serial interface. The data on the transmitter inputs is transmitted on the line unless TAOS is selected to cause the transmission of an all ones signal instead. Receiver inputs are ignored when local loopback is in effect. The jitter attenuator is not included in the local loopback data path. Selection of local loopback overrides the chip's loss of signal response.

Remote Loopback

In remote loopback, the recovered clock and data input on RTIP and RRING are sent through the jitter attenuator and back out on the line via TTIP and TRING. The recovered incoming signals are also sent to RCLK, RPOS and RNEG (or

RDATA). Remote loopback is selected by taking pin 26 high, or RLOOP may be selected using the serial interface. Simultaneous selection of local and remote loopback modes is not valid (see Reset).

In the CS61535A Extended Hardware Mode, remote loopback occurs before the line code encoder/decoder, insuring that the transmitted signal matches the received signal, even in the presence of received bipolar violations. The recovered data will also be decoded and output on RDATA if \overline{RCODE} is low.

Driver Performance Monitor

To aid in early detection and easy isolation of nonfunctioning links, the Hardware and Host Modes of the CS61535A are able to monitor transmit drive performance and report when the driver is no longer operational. This feature can be used to monitor either the device’s performance or the performance of a neighboring driver. The driver performance monitor indicator is normally at a low (zero) logic level, and goes to high level upon detecting driver failure. In the Host Mode, DPM is available from both the register and pin 11.

The driver performance monitor consists of an activity detector that monitors the transmitted signal when MTIP is connected to TTIP and MRING is connected to TRING. DPM will go high if the absolute difference between MTIP and MRING does not transition above or below a threshold level within a time-out period.

Whenever more than one line interface IC resides on the same circuit board, the effectiveness of the driver performance monitor can be maximized by having each IC monitor performance of a neighboring device, rather than having it monitor its own performance.

Line Code Encoder/Decoder

In Extended Hardware Mode, three line codes are available: AMI, B8ZS and HDB3. The input to the encoder is TDATA. The outputs from the decoder are RDATA and BPV (Bipolar Violation Strobe). The encoder and decoder are selected using pins LEN2, LEN1, LEN0, \overline{TCODE} and \overline{RCODE} as shown in Table 6.

| | | LEN 2/1/0 | |
|--|------|--------------|--------------|
| | | 000 | 010-111 |
| \overline{TCODE} (Transmit Encoder Selection) | LOW | HDB3 Encoder | B8ZS Encoder |
| | HIGH | AMI Encoder | |
| \overline{RCODE} (Receiver Decoder Selection) | LOW | HDB3 Decoder | B8ZS Decoder |
| | HIGH | AMI Decoder | |

Table 6. Selection of Encoder/Decoder

Alarm Indication Signal

In Extended Hardware Mode, the receiver sets the output pin AIS high when less than 9 zeros are detected out of 8192 bit periods. AIS returns low when 9 or more zeros are detected out of 8192 bits.

Parallel Chip Select

In Extended Hardware Mode, \overline{PCS} can be used to gate the digital control inputs: \overline{TCODE} , \overline{RCODE} , LEN0, LEN1, LEN2, RLOOP, LLOOP and TAOS. Inputs are accepted on these pins only when \overline{PCS} is low. Changes in inputs will immediately change the operating state of the device. Therefore, when cycling \overline{PCS} to update the operating state, the digital control inputs should be stable for the entire \overline{PCS} low period. The control inputs are ignored when \overline{PCS} is high.

Power On Reset / Reset

Upon power-up, the CS61535A is held in a static state until the supply crosses a threshold of ap-

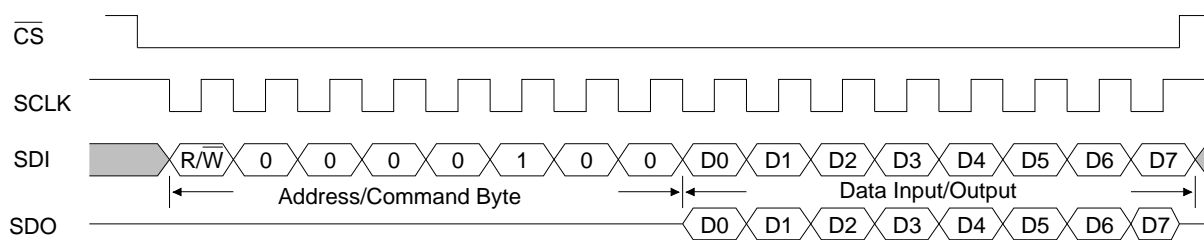


Figure 13. Input/Output Timing

proximately three Volts. When this threshold is crossed, the device will delay for about 10 ms to allow the power supply to reach operating voltage. After this delay, calibration of the delay lines used in the transmit and receive sections commences. The delay lines can be calibrated only if a reference clock is present. The reference clock for the receiver is provided by ACLKI (or by the crystal oscillator if ACLKI is not present). The reference clock for the transmitter is provided by TCLK. The initial calibration should take less than 20 ms.

In operation, the delay lines are continuously calibrated, making the performance of the device independent of power supply or temperature variations. The continuous calibration function foregoes any requirement to reset the line interface when in operation. However, a reset function is available which will clear all registers.

In the Hardware and Extended Hardware modes, a reset request is made by simultaneously setting both RLOOP and LLOOP high for at least 200 ns. Reset will initiate on the falling edge of the reset request (falling edge of RLOOP and LLOOP). In the Host Mode, a reset is initiated by simultaneously writing RLOOP and LLOOP to the register. In either mode, a reset will set all registers to 0 and set LOS high.

Serial Interface

In the Host Mode, pins 23 through 28 serve as a microprocessor/microcontroller interface. One eight-bit register can be written to via the SDI pin or read from the SDO pin at the clock rate determined by SCLK. Through this register, a host controller can be used to control operational char-

acteristics and monitor device status. The serial port read/write timing is independent of the system transmit and receive timing.

Data transfers are initiated by taking the chip select input, \overline{CS} , low (\overline{CS} must initially be high). SCLK may be either high or low when \overline{CS} initially goes low. Address and input data bits are clocked in on the rising edge of SCLK. Data on SDO is valid and stable on the falling edge of SCLK when CLKE is low, and on the rising edge of SCLK when CLKE is high. Data transfers are terminated by setting \overline{CS} high. \overline{CS} may go high no sooner than 50 ns after the rising edge of the SCLK cycle corresponding to the last write bit. For a serial data read, \overline{CS} may go high any time to terminate the output.

Figure 13 shows the timing relationships for data transfers when CLKE = 1. When CLKE = 0, data output from the serial port, SDO, is valid on the falling edge of SCLK. For CLKE = 1, data bit D7 is held to the falling edge of the 16th clock cycle; for CLKE = 0, data bit D7 is held to the rising edge of the 17th clock cycle. SDO goes to a high

| | | | |
|----------------|---|------|--|
| LSB, first bit | 0 | R/W | Read/Write Select; 0 = write, 1 = read |
| | 1 | ADD0 | LSB of address, Must be 0 |
| | 2 | ADD1 | Must be 0 |
| | 3 | ADD2 | Must be 0 |
| | 4 | ADD3 | Must be 0 |
| | 5 | ADD4 | Must be 1 |
| | 6 | - | Reserved - Must be 0 |

Table 7. Address/Command Byte

impedance state either after bit D7 is output or at the end of the hold period of data bit D7.

An address/command byte, shown in Table 7, precedes a data register. The first bit of the address/command byte determines whether a read or a write is requested. The next six bits contain the address. The CS61535A responds to address 16 (0010000). The last bit is ignored.

The data register, shown in Table 8, can be written to the serial port. Data is input on the eight clock cycles immediately following the address/command byte. Bits 0 and 1 are used to clear an interrupt issued from the INT pin, which occurs in response to a loss of signal or a problem with the output driver. If bits 0 or 1 are true, the corresponding interrupt is suppressed. So if a loss of signal interrupt is cleared by writing a 1 to bit 0, the interrupt will be reenabled by writing a 0 to bit 0. This holds for DPM as well.

| | | | |
|-------------------|---|---------|----------------------------------|
| LSB: first bit in | 0 | clr LOS | Clear Loss of Signal |
| | 1 | clr DPM | Clear Driver Performance Monitor |
| | 2 | LEN0 | Bit 0 - Line Length Select |
| | 3 | LEN1 | Bit 1 - Line Length Select |
| | 4 | LEN2 | Bit 2 - Line Length Select |
| | 5 | RLOOP | Remote Loopback |
| MSB: last bit in | 6 | LLOOP | Local Loopback |
| | 7 | TAOS | Transmit All Ones Select |

Table 8. Input Data Register

Writing a "1" to either "Clear LOS" or "Clear DPM" over the serial interface has three effects:

- 1) the current interrupt on the serial interface will be cleared. (Note that simply reading the register bits will not clear the interrupt),
- 2) output data bits 5, 6 and 7 will be reset as appropriate,
- 3) future interrupts for the corresponding LOS or DPM will be prevented from occurring).

| | | | |
|-------------------|---|------|----------------------------|
| LSB: first bit in | 0 | LOS | Loss of Signal |
| | 1 | DPM | Driver Performance Monitor |
| | 2 | LEN0 | Bit 0 - Line Length Select |
| | 3 | LEN1 | Bit 1 - Line Length Select |
| | 4 | LEN2 | Bit 2 - Line Length Select |

Table 9. Output Data Bits 0 - 4

| Bits | | | Status |
|------|---|---|--|
| 5 | 6 | 7 | |
| 0 | 0 | 0 | Reset has occurred or no program input. |
| 0 | 0 | 1 | TAOS in effect. |
| 0 | 1 | 0 | LLOOP in effect. |
| 0 | 1 | 1 | TAOS/LLOOP in effect. |
| 1 | 0 | 0 | RLOOP in effect |
| 1 | 0 | 1 | DPM changed state since last "clear DPM" occurred. |
| 1 | 1 | 0 | LOS changed state since last "clear LOS" occurred. |
| 1 | 1 | 1 | LOS and DPM have changed state since last "clear LOS" and "clear DPM". |

Table 10. Coding for Serial Output Bits 5, 6, 7

Writing a "0" to either "Clear LOS" or "Clear DPM" enables the corresponding interrupt for LOS or DPM.

Output data from the serial interface is presented as shown in Tables 9 and 10. Bits 2, 3 and 4 can be read to verify line length selection. Bits 5, 6 and 7 must be decoded. Codes 101, 110 and 111 (bits 5, 6 and 7) indicate LOS and DPM state changes. Writing a "1" to the "Clear LOS" and/or "Clear DPM" bits in the register also resets status bits 5, 6, and 7.

SDO goes to a high impedance state when not in use. SDO and SDI may be tied together in applications where the host processor has a bidirectional I/O port.

Power Supply


The device operates from a single +5 Volt supply. Separate pins for transmit and receive supplies provide internal isolation. These pins should be connected externally near the device and decoupled to their respective grounds. TV+ must not exceed RV+ by more than 0.3V.

Decoupling and filtering of the power supplies is crucial for the proper operation of the analog circuits in both the transmit and receive paths. A 1.0 μF capacitor should be connected between TV+ and TGND, and a 0.1 μF capacitor should be connected between RV+ and RGND. Use mylar or ceramic capacitors and place them as closely as possible to their respective power supply pins. A 68 μF tantalum capacitor should be added close to the RV+/RGND supply. Wire wrap breadboarding of the line interface is not recommended because lead resistance and inductance serve to defeat the function of the decoupling capacitors.

Schematic & Layout Review Service

**Confirm Optimum
Schematic & Layout
Before Building Your Board.**

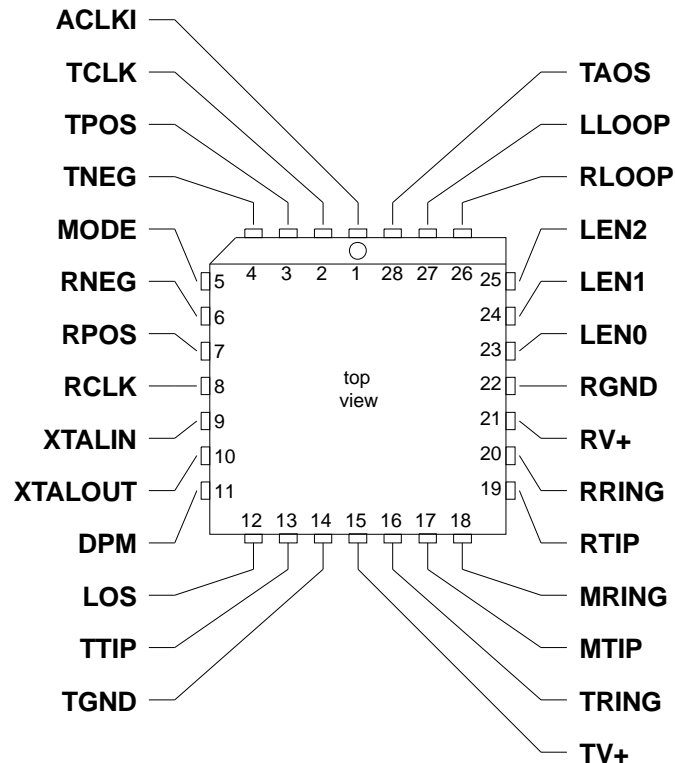
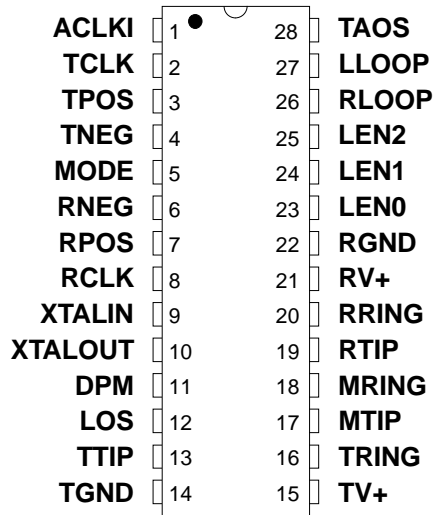
**For Our Free Review Service
Call Applications Engineering.**



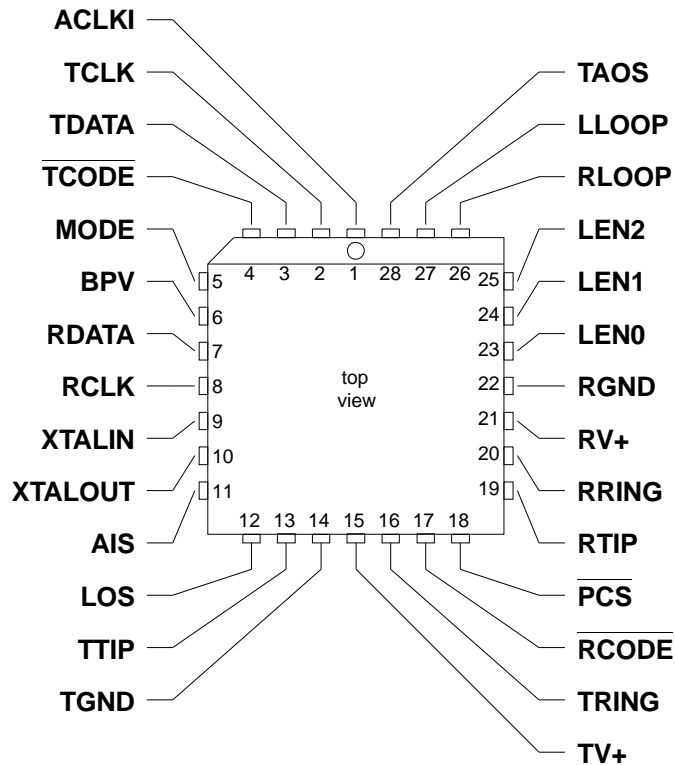
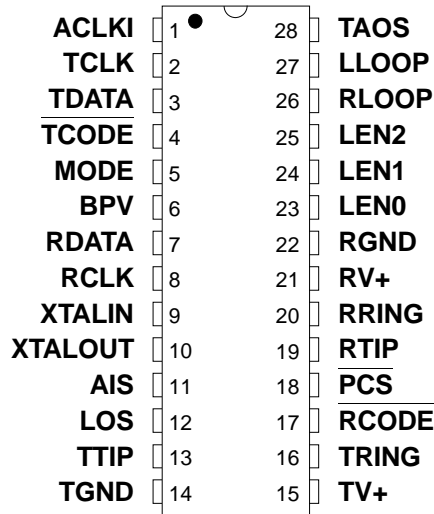
C a l l : (5 1 2) 4 4 5 - 7 2 2 2

PIN DESCRIPTIONS

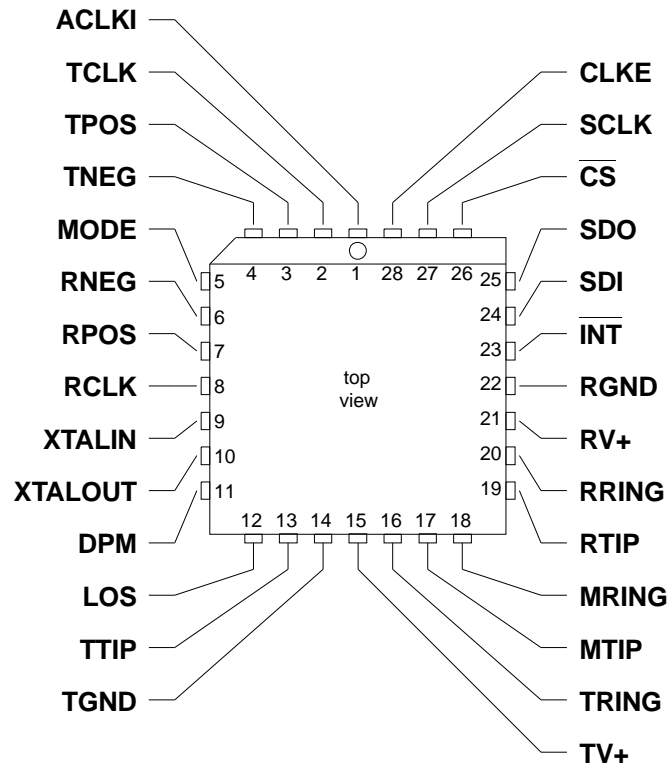
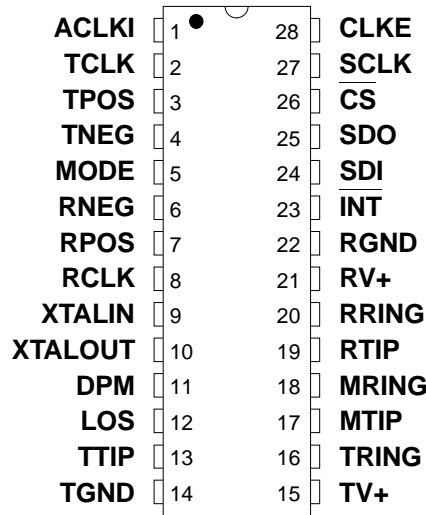
Hardware Mode



Extended Hardware Mode



Host Mode



Power Supplies

RGND - Ground, Pin 22.

Power supply ground for all subcircuits except the transmit driver; typically 0 Volts.

RV+ - Power Supply, Pin 21.

Power supply for all subcircuits except the transmit driver; typically +5 Volts.

TGND - Ground, Transmit Driver, Pin 14.

Power supply ground for the transmit driver; typically 0 Volts.

TV+ - Power Supply, Transmit Driver, Pin 15.

Power supply for the transmit driver; typically +5 Volts. TV+ must not exceed RV+ by more than 0.3 V.

Oscillator

XTALIN, XTALOUT - Crystal Connections, Pins 9 and 10.

A 6.176 MHz (or 8.192 MHz) crystal should be connected across these pins. If a 1.544 MHz (or 2.048 MHz) clock is provided on ACLKI (pin 1), the jitter attenuator may be disabled by tying XTALIN, Pin 9 to RV+ through a 1 k Ω resistor, and floating XTALOUT, Pin 10. Overdriving the oscillator with an external clock is not supported.

Control

ACLKI - Alternate External Clock Input, Pin 1.

The CS61535A does not require a clock signal to be input on ACLKI when a crystal is connected between pins 9 and 10. If a clock is not provided on ACLKI, this input must be grounded. If ACLKI is grounded, the oscillator in the jitter attenuator is used to calibrate the clock recovery circuit and TAOS is not available.

CLKE - Clock Edge, Pin 28. (Host Mode)

Setting CLKE to logic 1 causes RPOS and RNEG to be valid on the falling edge of RCLK, and SDO to be valid on the rising edge of SCLK. Conversely, setting CLKE to logic 0 causes RPOS and RNEG to be valid on the rising edge of RCLK, and SDO to be valid on the falling edge of SCLK.

$\overline{\text{CS}}$ - Chip Select, Pin 26. (Host Mode)

This pin must transition from high to low to read or write the serial port.

$\overline{\text{INT}}$ - Receive Alarm Interrupt, Pin 23. (Host Mode)

Goes low when LOS or DPM change state to flag the host processor. $\overline{\text{INT}}$ is cleared by writing "Clear LOS" or "Clear DPM" to the register. $\overline{\text{INT}}$ is an open drain output and should be tied to the power supply through a resistor.

LEN0, LEN1, LEN2 - Line Length Selection, Pins 23, 24 and 25. (Hardware and Extended Hardware Modes)

Determines the shape and amplitude of the transmitted pulse to accommodate several cable types and lengths. See Table 3 for information on line length selection. Also controls the receiver slicing level and the line code in Extended Hardware Mode.

LLOOP - Local Loopback, Pin 27. (Hardware and Extended Hardware Modes)

Setting LLOOP to a logic 1 routes the transmit clock and data through to the receive clock and data pins. TPOS/TNEG (or TDATA) are still transmitted unless overridden by a TAOS request. Inputs on RTIP and RRING are ignored.

MODE - Mode Select, Pin 5.

Driving the MODE pin high puts the CS61535A line interface in the Host Mode. In the host mode, a serial control port is used to control the CS61535A line interface and determine its status. Grounding the MODE pin puts the CS61535A line interface in the Hardware Mode, where configuration and status are controlled by discrete pins. Floating the MODE pin or driving it to +2.5 V puts the CS61535A in Extended Hardware Mode, where configuration and status are controlled by discrete pins. When floating MODE, there should be no external load on the pin. MODE defines the status of 13 pins (see Table 2).

 $\overline{\text{PCS}}$ - Parallel Chip Select, Pin 18. (Extended Hardware Mode)

Setting PCS high causes the CS61535A line interface to ignore the $\overline{\text{T}}\text{CODE}$, $\overline{\text{R}}\text{CODE}$, LEN0, LEN1, LEN2, RLOOP, LLOOP and TAOS inputs.

 $\overline{\text{RCODE}}$ - Receiver Decoder Select, Pin 17. (Extended Hardware Mode)

Setting RCODE low enables B8ZS or HDB3 zero substitution in the receiver decoder. Setting RCODE high enables the AMI receiver decoder (see Table 8).

RLOOP - Remote Loopback, Pin 26. (Hardware and Extended Hardware Modes)

Setting RLOOP to a logic 1 causes the recovered clock and data to be sent through the jitter attenuator (if active) and through the driver back to the line. The recovered signal is also sent to RCLK and RPOS/RNEG (or RDATA). Any TAOS request is ignored.

Simultaneously taking RLOOP and LLOOP high for at least 200 ns initiates a device reset.

SCLK - Serial Clock, Pin 27. (Host Mode)

Clock used to read or write the serial port registers. SCLK can be either high or low when the line interface is selected using the CS pin.

SDI - Serial Data Input, Pin 24. (Host Mode)

Data for the on-chip register. Sampled on the rising edge of SCLK.

SDO - Serial Data Output, Pin 25. (Host Mode)

Status and control information from the on-chip register. If CLKE is high SDO is valid on the rising edge of SCLK. If CLKE is low SDO is valid on the falling edge of SCLK. This pin goes to a high-impedance state when the serial port is being written to or after bit D7 is output.

TAOS - Transmit All Ones Select, Pin 28. (Hardware and Extended Hardware Modes)

Setting TAOS to a logic 1 causes continuous ones to be transmitted at the frequency determined by ACLKI.

TCODE - Transmitter Encoder Select, Pin 4. (Extended Hardware Mode)

Setting TCODE low enables B8ZS or HDB3 zero substitution in the transmitter encoder. Setting TCODE high enables the AMI transmitter encoder .

Data**RCLK - Recovered Clock, Pin 8.**

The receiver recovered clock is output on this pin.

RDATA - Receive Data - Pin 7. (Extended Hardware Mode)

Data recovered from the RTIP and RRING inputs is output at this pin, after being decoded by the line code decoder. RDATA is NRZ. RDATA is stable and valid on the falling edge of RCLK.

RPOS, RNEG - Receive Positive Data, Receive Negative Data, Pins 6 and 7. (Hardware and Host Modes)

The receiver recovered NRZ digital data is output on these pins. In the Hardware Mode, RPOS and RNEG are stable and valid on the rising edge of RCLK. In the Host Mode, CLKE determines the clock edge for which RPOS and RNEG are stable and valid. See Table 5. A positive pulse (with respect to ground) received on the RTIP pin generates a logic 1 on RPOS, and a positive pulse received on the RRING pin generates a logic 1 on RNEG.

RTIP, RRING - Receive Tip, Receive Ring, Pins 19 and 20.

The AMI receive signal is input to these pins. A center-tapped, center-grounded, 2:1, step-up transformer is required on these inputs, as shown in Figure A1 in the *Applications* section. Data and clock are recovered and output on RCLK and RPOS/RNEG or RDATA.

TCLK - Transmit Clock, Pin 2.

The 1.544 MHz (or 2.048 MHz) transmit clock is input on this pin. TPOS/TNEG or TDATA are sampled on the falling edge of TCLK.

TDATA - Transmit Data, Pin 3. (Extended Hardware Mode)

Transmitter NRZ input data which passes through the line code encoder, and is then driven on to the line through TTIP and TRING. TDATA is sampled on the falling edge of TCLK.

TPOS, TNEG - Transmit Positive Data, Transmit Negative Data, Pins 3 and 4. (Hardware and Host Modes)

Inputs for clock and data to be transmitted. The signal is driven on to the line through TTIP and TRING. TPOS and TNEG are sampled on the falling edge of TCLK. A TPOS input causes a positive pulse to be transmitted, while a TNEG input causes a negative pulse to be transmitted.

TTIP, TRING - Transmit Tip, Transmit Ring, Pins 13 and 16.

The AMI signal is driven to the line through these pins. In the CS61535A, this output is designed to drive a 75 Ω load. A 1:1, 1:1.15 or 1:1.26 transformer is required as shown in Figure A1.

Status**AIS - Alarm Indication Signal, Pin 11. (Extended Hardware Mode)**

AIS goes high when unframed all-ones condition (blue alarm) is detected, using the detection criteria of less than three zeros out of 2048 bit periods.

BPV- Bipolar Violation Strobe, Pin 6. (Extended Hardware Mode)

BPV strobes high when a bipolar violation is detected in the received signal. B8ZS (or HDB3) zero substitutions are not flagged as bipolar violations if the B8ZS (or HDB3) decoder has been enabled.

DPM - Driver Performance Monitor, Pin 11. (Hardware and Host Modes)

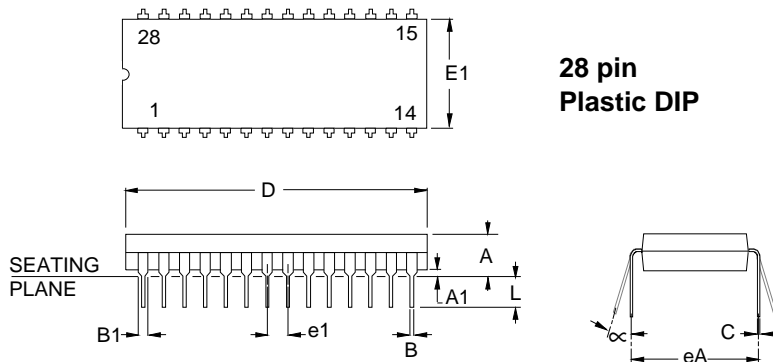
DPM goes high if no activity is detected on MTIP and MRING.

LOS - Loss of Signal, Pin 12.

LOS goes high when 175 consecutive zeros have been received. For the CS61535A, LOS returns low when the ones density reaches 12.5% (based upon 175 bit periods starting with a one and containing less than 100 consecutive zeros) as prescribed by ANSI T1.231-1993.

MTIP, MRING - Monitor Tip, Monitor Ring, Pins 17 and 18. (Hardware and Host Modes)

These pins are normally connected to TTIP and TRING and monitor the output of a CS61535A. If the INT pin in the host mode is used, and the monitor is not used, writing "Clear DPM" to the serial interface will prevent an interrupt from the driver performance monitor.

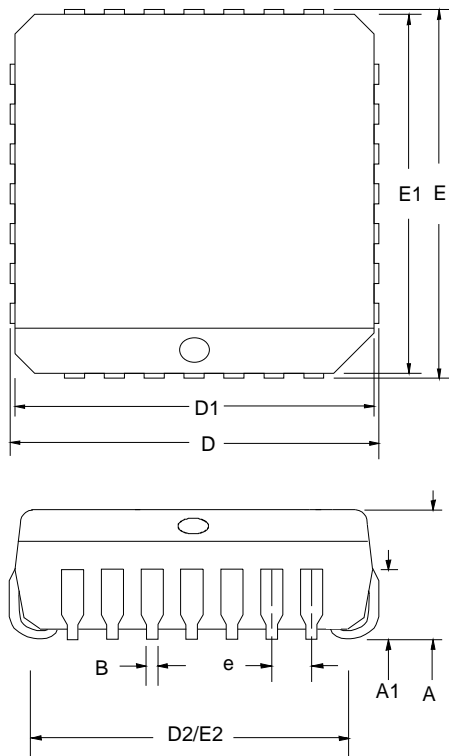


**28 pin
Plastic DIP**

| DIM | MILLIMETERS | | | INCHES | | |
|-----|-------------|-------|-------|--------|-------|-------|
| | MIN | NOM | MAX | MIN | NOM | MAX |
| A | 3.94 | 4.32 | 5.08 | 0.155 | 0.170 | 0.200 |
| A1 | 0.51 | 0.76 | 1.02 | 0.020 | 0.030 | 0.040 |
| B | 0.36 | 0.46 | 0.56 | 0.014 | 0.018 | 0.022 |
| B1 | 1.02 | 1.27 | 1.65 | 0.040 | 0.050 | 0.065 |
| C | 0.20 | 0.25 | 0.38 | 0.008 | 0.010 | 0.015 |
| D | 36.45 | 36.83 | 37.21 | 1.435 | 1.450 | 1.465 |
| E1 | 13.72 | 13.97 | 14.22 | 0.540 | 0.550 | 0.560 |
| e1 | 2.41 | 2.54 | 2.67 | 0.095 | 0.100 | 0.105 |
| eA | 15.24 | - | 15.87 | 0.600 | - | 0.625 |
| L | 3.18 | - | 3.81 | 0.125 | - | 0.150 |
| ∞ | 0° | - | 15° | 0° | - | 15° |

NOTES:

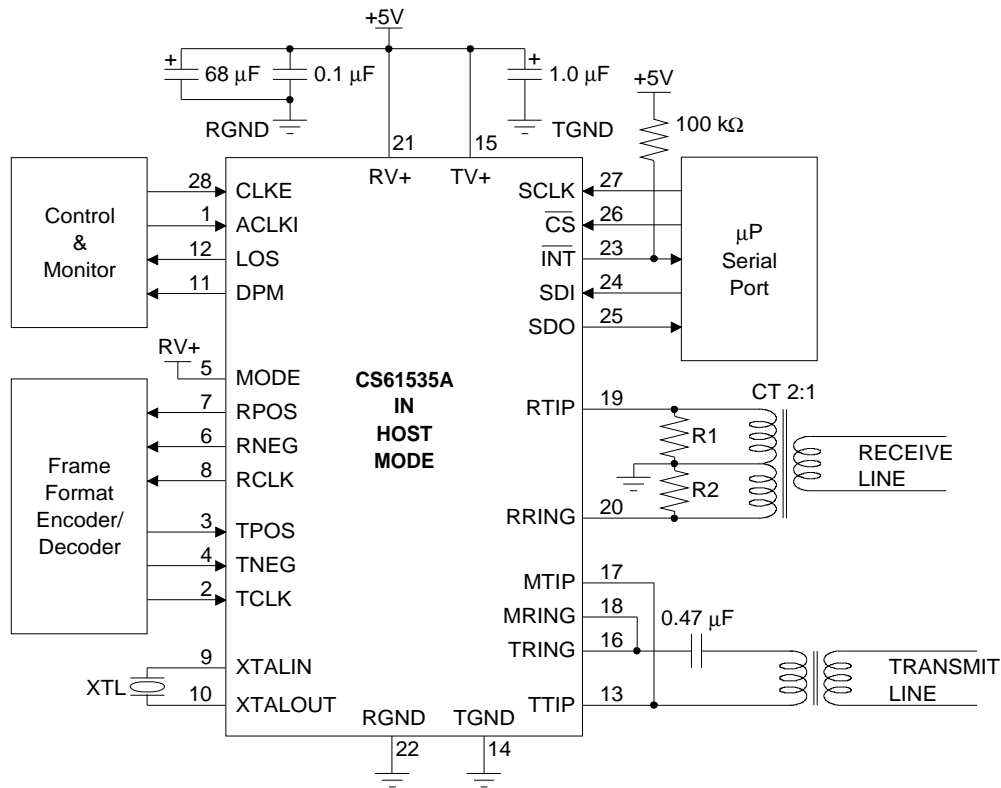
1. POSITIONAL TOLERANCE OF LEADS SHALL BE WITHIN 0.25mm (0.010") AT MAXIMUM MATERIAL CONDITION, IN RELATION TO SEATING PLANE AND EACH OTHER.
2. DIMENSION eA TO CENTER OF LEADS WHEN FORMED PARALLEL.
3. DIMENSION E1 DOES NOT INCLUDE MOLD FLASH.



28-pin PLCC

| DIM | 28 | | | | | |
|-------|-------------|-------|-------|--------|-------|-------|
| | MILLIMETERS | | | INCHES | | |
| | MIN | NOM | MAX | MIN | NOM | MAX |
| A | 4.20 | 4.45 | 4.57 | 0.165 | 0.175 | 0.180 |
| A1 | 2.29 | 2.79 | 3.04 | 0.090 | 0.110 | 0.120 |
| B | 0.33 | 0.41 | 0.53 | 0.013 | 0.016 | 0.021 |
| D/E | 12.32 | 12.45 | 12.57 | 0.485 | 0.490 | 0.495 |
| D1/E1 | 11.43 | 11.51 | 11.58 | 0.450 | 0.453 | 0.456 |
| D2/E2 | 9.91 | 10.41 | 10.92 | 0.390 | 0.410 | 0.430 |
| e | 1.19 | 1.27 | 1.35 | 0.047 | 0.050 | 0.053 |

APPLICATIONS



| DEVICE | FREQUENCY MHz | CABLE Ω | R1&2 Ω | Transmit Transformer |
|----------|------------------|------------|-----------|-------------------------|
| CS61535A | 1.544 | 100 | 200 | 1:1.15 |
| | 2.048 | 120 | 240 | 1:1.26 |
| | 2.048 | 75 | 150 | 1:1 |

Figure A1. Host Mode Configuration

Line Interface

Figures A1-A3 show the typical configurations for interfacing the I.C. to a line through transmit and receive transformers.

The receiver transformer is center tapped and center grounded with resistors between the center tap and each leg on the I.C. side. These resistors provide the termination for the line.

Figures A1-A3 show a 0.47 µF capacitor in series with the transmit transformer primary. This capacitor is needed to prevent any buildup in the

core of the transformer due to any DC imbalance that may be present at the differential outputs, TTIP and TRING. If DC saturates the transformer, a DC offset will result during the transmission of a space (zero) as the transformer tries to dump the charge and return to equilibrium. The blocking capacitor will keep DC current from flowing in the transformer.

Selecting an Oscillator Crystal

Specific crystal parameters are required for proper operation of the CS61535A. It is recommended that the CXT6176 from Crystal

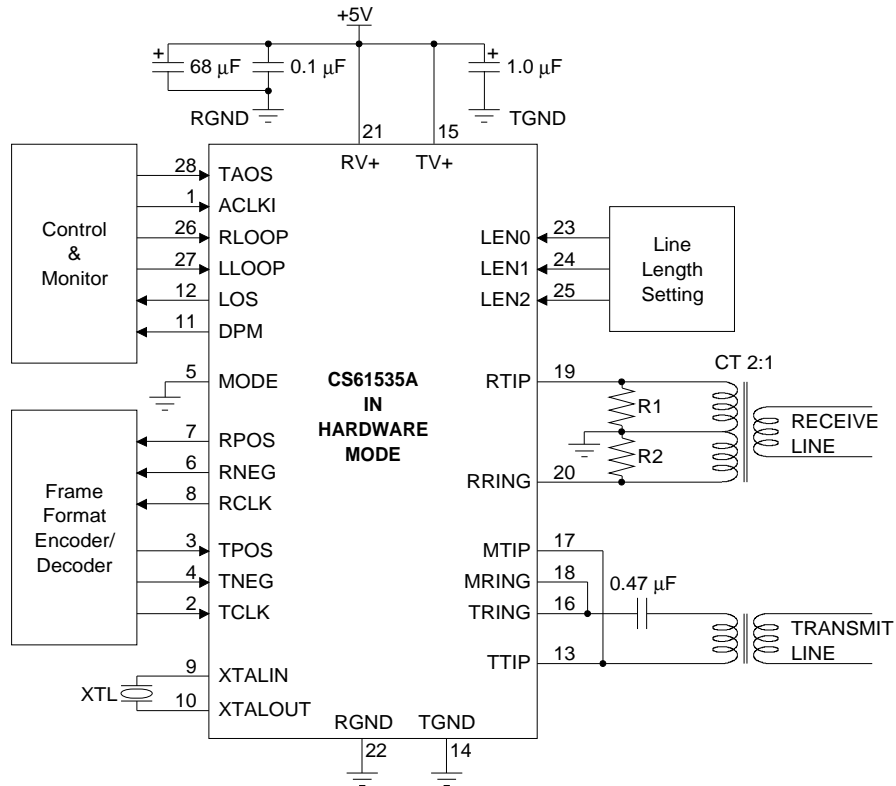


Figure A2. Hardware Mode Configuration

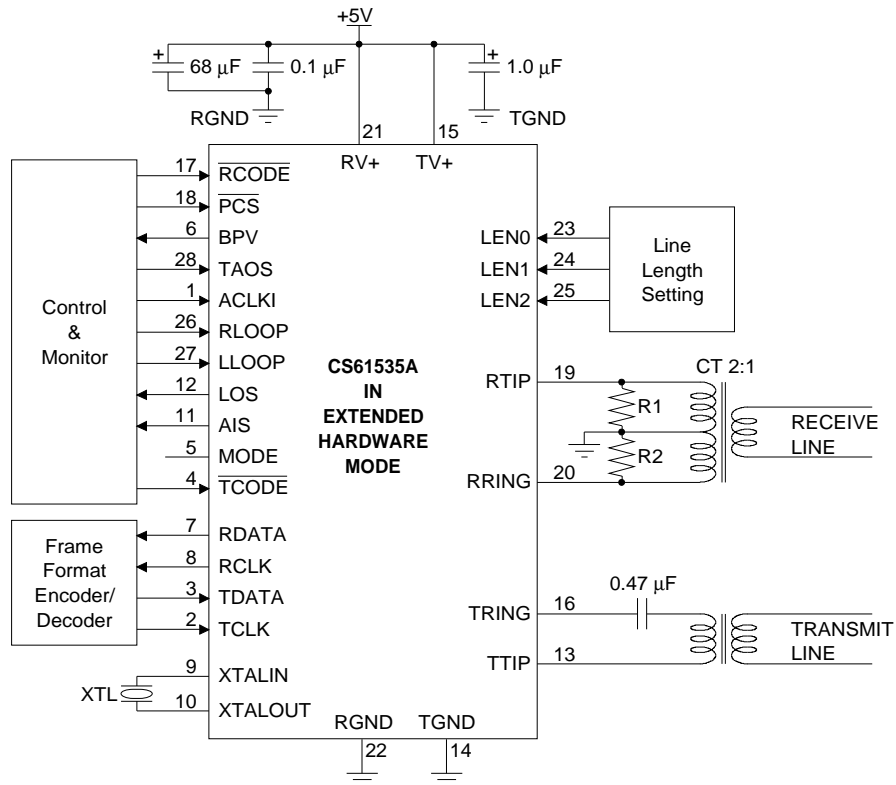


Figure A3. Extended Hardware Mode Configuration

Semiconductor be used for T1 applications, and that the CXT8192 be used for E1 applications.

Interfacing The CS61535A With the CS62180B T1 Transceiver

To interface with the CS62180B, connect the devices as shown in Figure A4. In this case, the CS61535A and CS62180B are in Host Mode controlled by a microprocessor serial interface. If the CS61535A is used in Hardware Mode, then the CS61535A RCLK output must be inverted before being input to the CS62180B. If the CS61535A is used in Extended Hardware Mode, the CS61535A RCLK output does not need to be inverted before being input to the CS62180B.

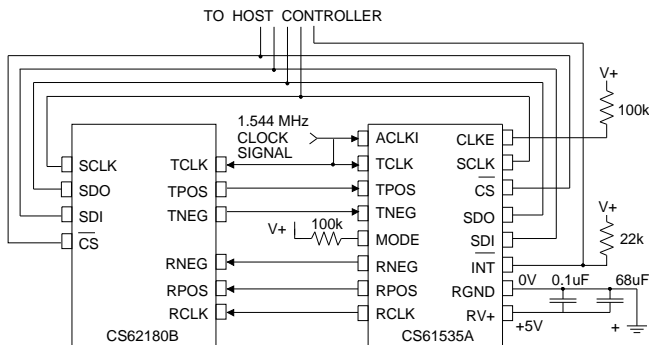


Figure A4. Interfacing the CS61535A with the CS62180B (Host Mode)

CS61534 Compatibility

The CS61535A is pin compatible with the CS61534. The CS61535A has greater jitter tolerance for both transmitter and receiver, and it provides more jitter attenuation starting at jitter frequencies of 6 Hz. The greater jitter tolerance and attenuation in the transmit path makes the CS61535A more suitable for CCITT demultiplex-

ing applications where eight bits can be dropped from the clock/data stream at once. Similarly, these parts can be used in SONET applications with the addition of some external circuitry.

The main differences of the CS61535A relative to the CS61534 is:

1) On the CS61535A, selection of LEN 2/1/0 = 0/0/0 changes the voltage at which the receiver accepts an input as a pulse (slicing level) from 65% to 50% of the peak pulse amplitude. Lowering the data slicing level will improve receiver sensitivity at long cable lengths when the data is jittered. A 50% slicing level will also improve crosstalk sensitivity for channels where received pulses do not have undershoot.

2) There are differences in the functionality of the ACLKI (ACLK) input on the CS61534 and CS61535A. ACKLI (ACLK) is used as the transmit clock in the transmit all ones (TAOS) mode. On the CS61535A, ACLKI is used as a calibration reference for the receiver clock recovery circuit and therefore may not be supplied by RCLK. On the CS61534, ACLK may be supplied by RCLK. If an external clock is not provide on the ACLKI input of the CS61535A, the crystal oscillator is used to calibrate the receiver clock recovery circuit.

3) On the CS61535A, the Host Mode status register bits 5, 6 and 7 are encoded so that state changes on LOS and DPM may be reported.

4) RCLK on the CS61534 has a 50% duty cycle, while RCLK on the CS61535A has a duty cycle which is typically 30% or 70%. Also, the CS61535A RCLK duty cycle and instantaneous frequency vary with received jitter and may exhibit 1/13 UIpp quantization jitter even when the incoming signal is jitter free.

5) The CS61535A requires 25 ns of setup time on TPOS and TNEG before the falling edge of TCLK and 25 ns of hold time on these inputs af-

ter the falling edge of TCLK. The CS61534 requires 50 ns of hold time on TPOS and TNEG after the falling edge of TCL, and 0 ns of setup time.

6) LOS occurs after 31 consecutive zeros on the CS61534. For the CS61535A LOS occurs after 175 zeros.

7) Since the CS61535A receivers are continuously calibrated, there is no need to issue a reset to initialize the receiver timing as with the CS61534.

Using the CS61535A for SONET

The CS61535A can be applied to SONET VT1.5 and VT2.0 interface circuits as shown in Figure A5. The SONET data rate is 51.84 MHz, and has 6480 bits per frame (125 us per frame). An individual T1 frame (193 bits per frame) or PCM-

30 frame (256 bits per frame) has its data mapped into the 6480 bit SONET frame. The mapping does not result in a uniform spacing between successive T1 (or E1) bits. Rather, for locked VT applications, gaps as large as 24 T1 bit periods or 32 E1 bit periods can exist between successive bits. With floating VTs, the gaps can be even larger.

The circuit in Figure A5 eliminates the demultiplexing jitter in a two-step approach. The first step uses a FIFO which is filled at a 51.84 MHz rate (when T1 or E1 bits are present), and which is emptied at a sub-multiple of the 51.84 rate. The FIFO is emptied only when it contains data. When the FIFO is empty the output clock is not pulsed.

The sub-multiple rate chosen should be slightly faster than the target rate (1.544 or 2.048 MHz), but as close to the target rate as possible. For

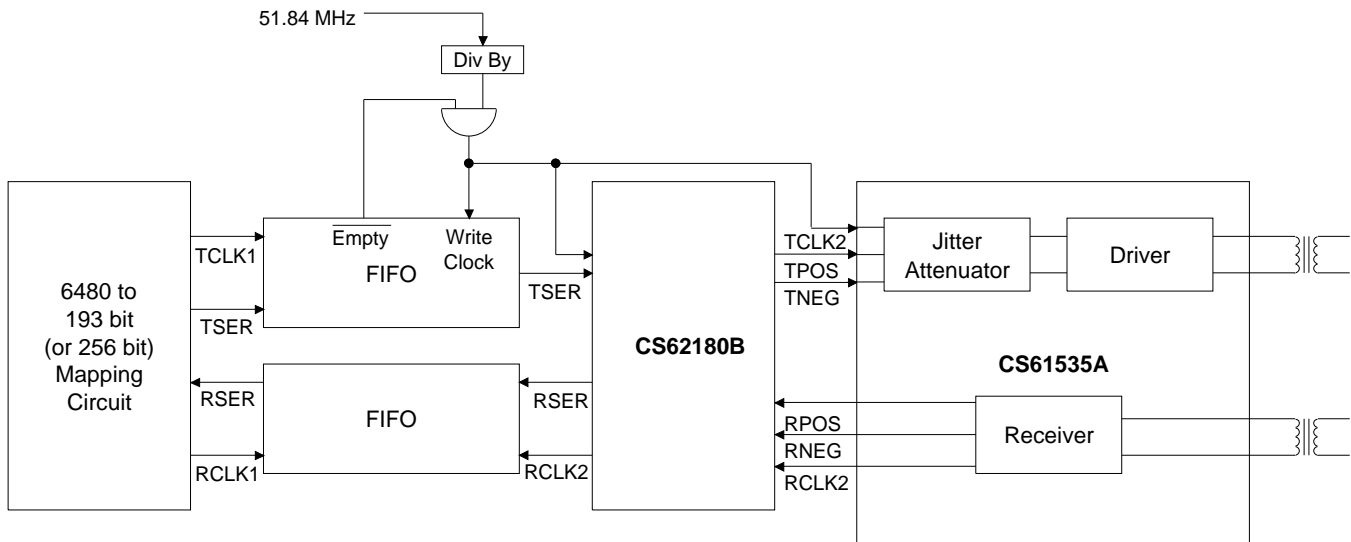


Figure A5. SONET Application

locked VT operation, Table A1 shows potential sub-multiple data rates, and the impact on those rates on the maximum gap in the output clock of the FIFO, and depth of FIFO required. FIFO depth will have to be increased for floating VT operation, with 8 bits of FIFO depth being added for each pointer alignment change that can occur.

The objective that should be met in picking a FIFO depth and clock divider is keep the maximum gap on the output of the FIFO at 12 bits or less. Twelve bits is the maximum jitter which can be input to the CS61535A's jitter attenuator without causing the overflow/undeflow protection circuit to operate. The CS61535A then removes the remaining jitter from the signal.

The receive path also requires a bit mapping (from 193 or 256 bits to 6480 bits). This mapping requires an input buffer with the same depth as use on the transmit path. This buffer also absorbs the output jitter generated by the CS61535A's digital clock recovery.

Transformers

Recommended transmitter and receiver transformer specifications for the CS61535A are shown in Table A2. The transformers in Table A3 have been tested and recommended for use with the CS61535A. Refer to the "Telecom Transformer Selection Guide" for detailed schematics which show how to connect the line interface IC with a particular transformer.

In applications with the CS61535A where it is advantageous to use a single transmitter transformer for both 75Ω and 120Ω E1 applications, a 1:1.26 transformer may be used. Although transmitter return loss will be reduced for 75Ω applications, the pulse amplitude will be correct across a 75 Ω load.

| Target Rate (MHz) | Clock Divider | Resultant Rate (MHz) | Maximum Gap | | FIFO Depth Required |
|-------------------|---------------|----------------------|-------------|------|---------------------|
| | | | (μs) | bits | |
| 1.544 | 32 | 1.620 | 6.2 | 10 | 21 |
| 1.544 | 33 | 1.571 | 3.9 | 6 | 26 |
| 2.048 | 25 | 2.074 | 3.4 | 7 | 34 |

Table A1. Locked VT FIFO Analysis

| Parameter | CS61535A Receiver | CS61535A Transmitter |
|------------------------------|--|---|
| Turns Ratio | 1:2 CT ± 5% | 1:1 ± 1.5 % for 75 Ω E1 1:1.15 ± 5 % for 100 Ω T1 1:1.26 ± 1.5 % for 120 Ω E1 |
| Primary Inductance | 600 μH min. @ 772 kHz | 1.5 mH min. @ 772 kHz |
| Primary Leakage Inductance | 1.3 μH max. @ 772 kHz | 0.3 μH max. @ 772 kHz |
| Secondary Leakage Inductance | 0.4 μH max. @ 772 kHz | 0.4 μH max. @ 772 kHz |
| Interwinding Capacitance | 23 pF max. | 18 pF max. |
| ET-constant | 16 V-μs min. for T1 12 V-μs min. for E1 | 16 V-μs min. for T1 12 V-μs min. for E1 |

Table A2. Transformer Specifications

| Application | Turns Ratio(s) | Manufacturer | Part Number | Package Type |
|-----------------------------|------------------------|-------------------|--------------|--|
| RX: T1 & E1 | 1:2CT | Pulse Engineering | PE-65351 | 1.5 kV through-hole, single |
| | | Schott | 67129300 | |
| | | Bel Fuse | 0553-0013-HC | |
| TX: T1 | 1:1.15 | Pulse Engineering | PE-65388 | 1.5 kV through-hole, single |
| | | Schott | 67129310 | |
| | | Bel Fuse | 0553-0013-RC | |
| TX: E1 (75 & 120 Ω) | 1:1.26 1:1 | Pulse Engineering | PE-65389 | 1.5 kV through-hole, single |
| | | Schott | 67129320 | |
| | | Bel Fuse | 0553-0013-SC | |
| RX & TX: T1 | 1:2CT 1:1.15 | Pulse Engineering | PE-65565 | 1.5 kV through-hole, dual |
| | | Bel Fuse | 0553-0013-7J | |
| RX & TX: E1 (75 & 120 Ω) | 1:2CT 1:1.26 1:1 | Pulse Engineering | PE-65566 | 1.5 kV through-hole, dual |
| | | Bel Fuse | 0553-0013-8J | |
| RX & TX: T1 | 1:2CT 1:1.15 | Pulse Engineering | PE-65765 | 1.5 kV surface-mount, dual |
| | | Bel Fuse | S553-0013-06 | |
| RX & TX: E1 (75 & 120 Ω) | 1:2CT 1:1.26 1:1 | Pulse Engineering | PE-65766 | 1.5 kV surface-mount, dual |
| | | Bel Fuse | S553-0013-07 | |
| RX : T1 & E1 | 1:2CT | Pulse Engineering | PE-65835 | 3 kV through-hole, single EN60950, EN41003 approved |
| TX: E1 (75 & 120 Ω) | 1:1.26 1:1 | Pulse Engineering | PE-65839 | 3 kV through-hole, single EN60950, EN41003 approved |

Table A3. Recommended Transformers For The CS61535A

Line Interface Evaluation Board

Features

- Socketed Line Interface Device
- All Required Components for Complete Line Interface Evaluation
- Configuration by DIP Switch or Serial Interface
- LED Status Indicators for Alarm Conditions
- Support for Host, Hardware, and Extended Hardware Modes

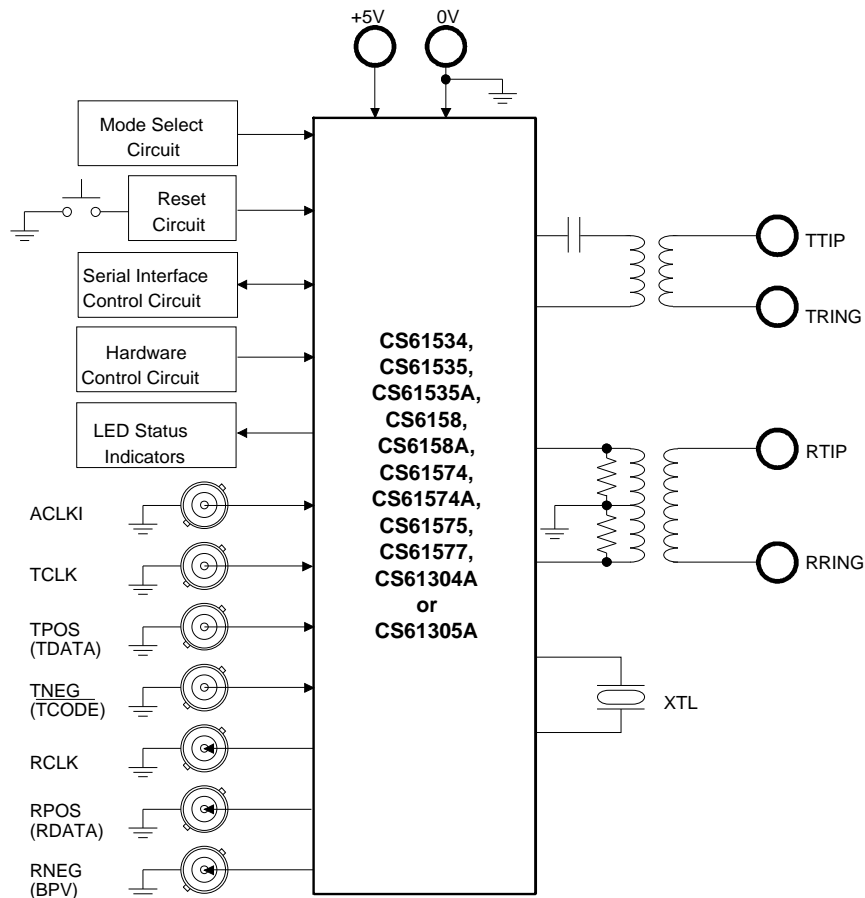
General Description

The evaluation board includes a socketed line interface device and all support components necessary for evaluation. The board is powered by an external 5 Volt supply.

The board may be configured for 100 Ω twisted-pair T1, 75 Ω coax E1, or 120 Ω twisted-pair E1 operation. Binding posts are provided for line connections. Several BNC connectors are available to provide system clocks and data I/O. Two LED indicators monitor device alarm conditions. The board supports all line interface operating modes.

ORDERING INFORMATION:

| | | |
|------------|-----------|------------|
| CDB61534, | CDB61535, | CDB61535A, |
| CDB6158, | CDB6158A, | CDB61574, |
| CDB61574A, | CDB61575, | CDB61577, |
| CDB61304A, | CDB61305A | |



POWER SUPPLY

As shown on the evaluation board schematic in Figure 1, power is supplied to the evaluation board from an external +5 Volt supply connected to the two binding posts labeled +5V and GND. Transient suppressor D10 protects the components on the board from over-voltage damage and reversed supply connections. The recommended power supply decoupling is provided by C1, C2 and C3. Ceramic capacitor C1 and electrolytic capacitor C2 are used to decouple RV+ to RGND. Capacitor C3 decouples TV+ to TGND. The TV+ and RV+ power supply traces are connected at the device socket U1. A ground plane on the component side of the evaluation board insures optimum performance.

BOARD CONFIGURATION

Pins on line interface device U1 with more than one pin name have different functions depending on the operating mode selected. Pin names not enclosed in parenthesis or square brackets describe the Hardware mode pin function. Pin names enclosed in parenthesis describe the Extended Hardware mode pin function. Pin names enclosed in square brackets describe the Host mode pin function.

Table 1 explains how to configure the evaluation board jumpers depending on the device installed and the desired operating mode. Mode selection is accomplished with slide switch SW1 and jumpers JP2, JP6, and JP7. The CS61535A, CS61574A, CS61575, CS61577, CS61304A, and CS61305A support the Hardware, Extended Hardware, and Host operating modes. The CS61534, CS61535, and CS61574 support the Hardware and Host operating modes. The CS6158 and CS6158A only support the Hardware operating mode.

Hardware Mode

In the Hardware operating mode, the line interface is configured using DIP switch S2. The digital control inputs to the device selected by S2 include: transmit all ones (TAOS), local loopback (LLOOP), remote loopback (RLOOP), and transmit line length selection (LEN2,LEN1,LEN0). Closing a DIP switch on S2 towards the label sets the device control pin of the same name to logic 1 (+5 Volts). Note that S2 switch positions $\overline{\text{TCODE}}$ and $\overline{\text{RCODE}}$ have no function in Hardware mode. In addition, the host processor interface connector JP1 should not be used in the Hardware mode.

Two LED status indicators are provided in Hardware mode. The LED labeled DPM (AIS) illuminates when the line interface asserts the Driver

| JUMPER | POSITION | FUNCTION SELECTED |
|---------------|----------|---|
| JP1 | - | Connector for external processor in Host operating mode. |
| JP2, JP6, JP7 | A-A | Extended Hardware operating mode. |
| | B-B | Hardware or Host operating modes. |
| JP3 | IN | Hardware or Extended Hardware operating modes. |
| | OUT | Host operating mode. |
| JP4 | C-C | Connects the ACLKI BNC input to pin 1 of device. |
| | D-D | Grounds the ACLKI BNC input through 51Ω resistor R1. |
| JP5 | E-E | Transmit line connection for all applications except those listed for "F-F" on the next line. |
| | F-F | 75Ω coax E1 applications using the Schott 12932/12532 or PE-65389/65566 at transformer T1. |
| JP8 | IN | Shorts resistor R2 for all applications except those listed for "OUT" on the next line. |
| | OUT | Inserts resistor R2 for 75Ω coax E1 applications using the CS61534, 35, 58, 74, or 77. |

Table 1. Evaluation Board Jumper Settings

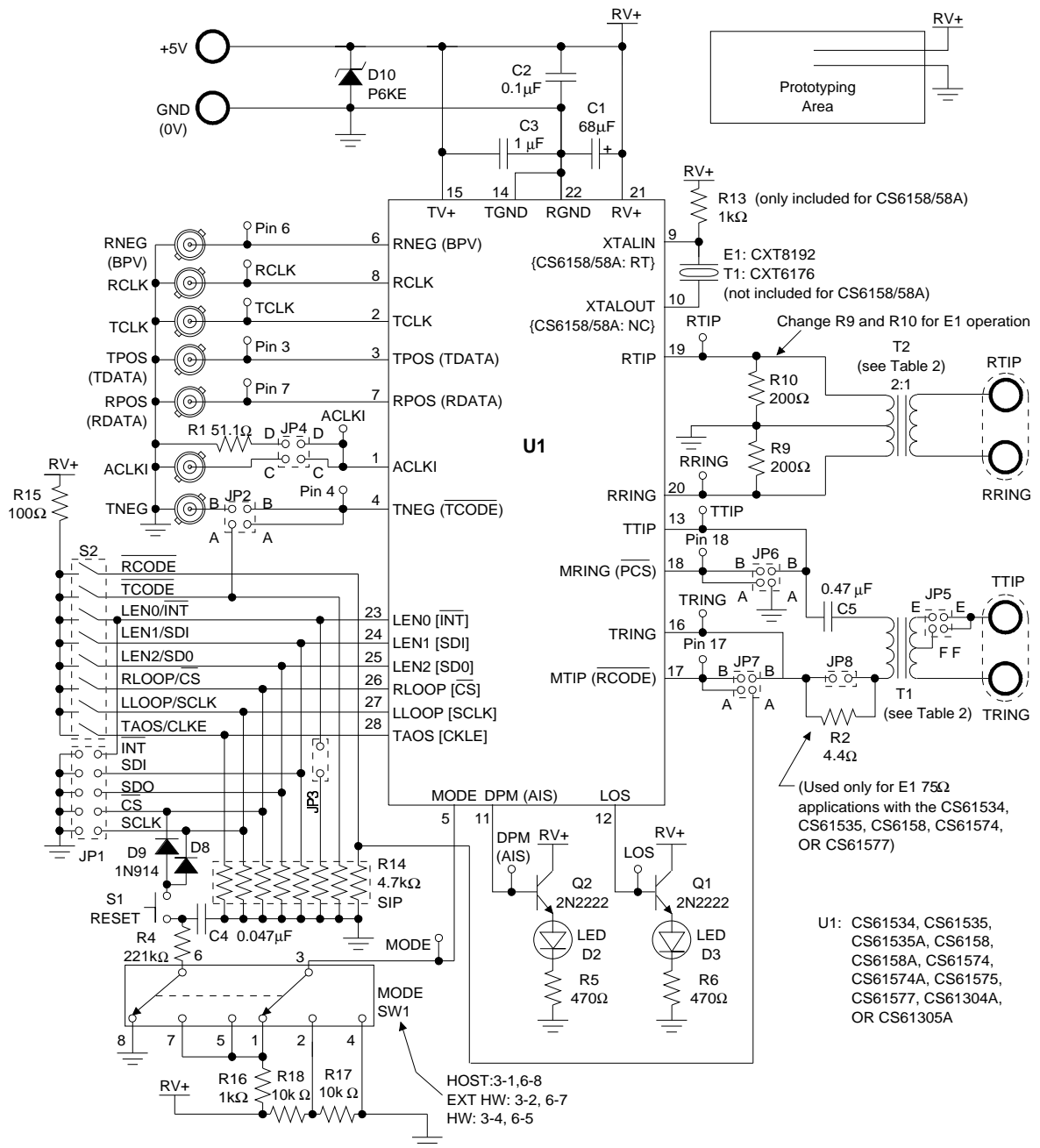


Figure 1. Evaluation Board Schematic

Performance Monitor alarm. The LED labeled LOS illuminates when the line interface receiver has detected a loss of signal.

Extended Hardware Mode

In the Extended Hardware operating mode, the line interface is configured using DIP switch S2. The digital control inputs to the device selected by S2 include: transmit all ones (TAOS), local loopback (LLOOP), remote loopback (RLOOP), transmit line length selection (LEN2, LEN1, LEN0), transmit line code ($\overline{\text{TCODE}}$), and receive line code ($\overline{\text{RCODE}}$). Closing a DIP switch (moving it towards the S2 label) sets the device control pin of the same name to logic 1 (+5 Volts). Note that the $\overline{\text{TCODE}}$ and $\overline{\text{RCODE}}$ options are active low and are enabled when the switch is moved away from the S2 label. The parallel chip select input $\overline{\text{PCS}}$ is tied to ground in Extended Hardware mode to enable the device to be reconfigured when S2 is changed. In addition, the host processor interface connector JP1 should not be used in Extended Hardware mode.

Two LED status indicators are provided in Extended Hardware mode. The LED labeled DPM (AIS) illuminates when the line interface detects the receive blue alarm (AIS). The LED labeled LOS illuminates when the line interface receiver has detected a loss of signal.

Host Mode

In the Host operating mode, the line interface is configured using a host processor connected to the serial interface port JP1. The S2 switch position labeled CLKE selects the active edge of SCLK and RCLK. Closing the CLKE switch selects RPOS and RNEG to be valid on the falling edge of RCLK and SDO to be valid on the rising edge of SCLK as required by the CS2180B T1 framer.

All other DIP switch positions on S2 should be open (logic 0) to prevent shorting of the serial in-

terface signals. Resistor R15 is a current limiting resistor that prevents the serial interface signals from being shorted directly to the +5 Volt supply if any S2 switch, other than CLKE, is closed. Jumper JP3 should be out so the $\overline{\text{INT}}$ pin may be externally pulled-up at the host processor interrupt pin.

Two LED status indicators are provided in Host mode. The LED labeled DPM (AIS) illuminates when the line interface asserts the Driver Performance Monitor alarm. The LED labeled LOS illuminates when the line interface receiver has detected a loss of signal.

Manual Reset

A manual reset circuit is provided that can be used in Hardware and Extended Hardware modes. The reset circuit consists of S1, R4, R16, C4, D8, and D9. Pressing switch S1 forces both LLOOP and RLOOP to a logic 1 and causes a reset. A reset is only necessary for the CS61534 device to calibrate the center frequency of the receiver clock recovery circuit. All other line interface units use a continuously calibrated clock recovery circuit that eliminates the reset requirement.

TRANSMIT CIRCUIT

The transmit clock and data signals are supplied on BNC inputs labeled TCLK, TPOS(TDATA), and TNEG. In the Hardware and Host operating modes, data is supplied on the TPOS(TDATA) and TNEG connectors in dual NRZ format. In the Extended Hardware operating mode, data is supplied in NRZ format on the TPOS(TDATA) connector and TNEG is not used.

The transmitter output is transformer coupled to the line through a transformer denoted as T1 in Figure 1. The signal is available at the TTIP and TRING binding posts. Capacitor C5 is the recommended 0.47 μF DC blocking capacitor.

The evaluation board supports 100 Ω twisted-pair T1, 75 Ω coax E1, and 120 Ω twisted-pair E1 operation. The CDB61534, CDB61535, CDB6158, CDB61574, and CDB61577 are supplied from the factory with a 1:2 transmit transformer that may be used for all T1 and E1 applications. The CDB61535A, CDB6158A, CDB61574A, CDB61575, CDB61304A, and CDB61305A are supplied with a 1:1.15 transmit transformer installed for T1 applications. An additional 1:1:1.26 transformer for E1 applications is provided with the board. This transformer requires JP5 to be jumpered across F-F for 75 Ω coax E1 applications.

The CDB61534, CDB61535, CDB6158, CDB61574, and CDB61577 require the JP8 jumper to be out for 75 Ω coax E1 applications. This inserts resistor R2 to reduce the transmit pulse amplitude and meet the 2.37 V nominal pulse amplitude requirement in CCITT G.703. In addition, R2 increases the equivalent load impedance across TTIP and TRING.

RECEIVE CIRCUIT

The receive line interface signal is input at the RTIP and RRING binding posts. The receive signal is transformer coupled to the line interface device through a center-tapped 1:2 transformer. The transformer produces ground referenced pulses of equal amplitude and opposite polarity on RTIP and RRING.

The receive line interface is terminated by resistors R9 and R10. The evaluation boards are supplied from the factory with 200 Ω resistors for terminating 100 Ω T1 twisted-pair lines. Resistors R9 and R10 should be replaced with 240 Ω resistors for terminating 120 Ω E1 twisted-pair lines or 150 Ω resistors for terminating 75 Ω E1 coaxial lines. Two 243 Ω resistors and two 150 Ω resistors are included with the evaluation board for this purpose.

The recovered clock and data signals are available on BNC outputs labeled RCLK, RPOS(RDATA), and RNEG(BPV). In the Hardware and Host operating modes, data is output on the RPOS(RDATA) and RNEG(BPV) connectors in dual NRZ format. In the Extended Hardware operating mode, data is output in NRZ format on the RPOS(RDATA) connector and bipolar violations are reported on the RNEG(BPV) connector.

QUARTZ CRYSTAL

A quartz crystal must be installed in socket Y1 for all devices except the CS6158 and CS6158A. A Crystal Semiconductor CXT6176 crystal is recommended for T1 operation and a CXT8192 is recommended for E1 operation. The evaluation board has a CXT6176 installed at the factory and a CXT8192 is also provided with the board.

The CDB6158 and CDB6158A have resistor R13 installed instead of a crystal. This connects the RT pin of the device to the +5 Volt supply.

ALTERNATE CLOCK INPUT

The ACLKI BNC input provides the alternate clock reference for the line interface device (ACLK for the CS61534) when JP4 is jumpered across C-C. This clock is required for the CS61534, CS61535, CS6158, and CS6158A operation but is optional for all other line interface devices. If ACLKI is provided, it may be desirable to connect both C-C and D-D positions on JP4 to terminate the external clock source providing ACLKI with the 51 Ω resistor R1. If ACLKI is optional and not used, connector JP4 should be jumpered across D-D to ground pin 1 of the device through resistor R1.

TRANSFORMER SELECTION

To permit the evaluation of other transformers, Table 2 lists the transformer and line interface device combinations that can be used in T1 and E1

applications. A letter at the intersection of a row and column in Table 2 indicates that the selected transformer is supported for use with the device. The transformer is installed in the evaluation board with pin 1 positioned to match the letter illustrated on the drawing in Table 2. For example, the Pulse Engineering PE-65388 transformer may be used with the transmitter of the CS61575 device for 100 Ω T1 applications only (as indicated by note 3) when installed in transformer socket T1 with pin 1 at position D (upper right).

PROTOTYPING AREA

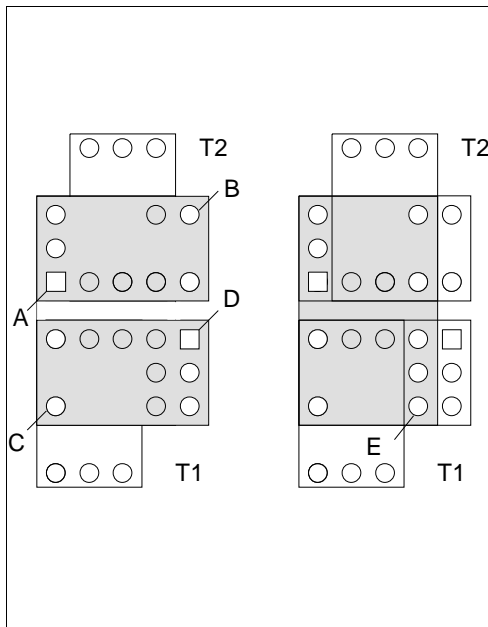
A prototyping area with power supply and ground connections is provided on the evaluation board. This area can be used to develop and test a variety of additional circuits like a data pattern generator, CS2180B framer, system synchronizer PLL, or specialized interface logic.

EVALUATION HINTS

1. Properly terminate TTIP/TRING when evaluating the transmit output signal. For more information concerning pulse shape evaluation, refer to the Crystal application note entitled "Measurement and Evaluation of Pulse Shapes in T1/E1 Transmission Systems."
2. Change the receiver terminating resistors R9 and R10 when evaluating E1 applications. Resistors R9 and R10 should be replaced with 240 Ω resistors for terminating 120 Ω E1 twisted-pair lines or 150 Ω resistors for terminating 75 Ω E1 coaxial lines. Two 243 Ω resistors and two 150 Ω resistors are included with the evaluation board for this purpose.
3. Closing a DIP switch on S2 towards the label sets the device control pin of the same name to logic 1 (+5 Volts).

4. To avoid damage to the external host controller connected to JP1, all S2 switch positions (except CLKE) should be open. In the Host operating mode, the CLKE switch selects the active edge of SCLK and RCLK.

| TRANSFORMER (Turns Ratio) ^{1,2} | LINE INTERFACE UNIT | | | | | | | | | | | | | | | | | |
|---|---------------------|----|-----|----|------|----------------|-----|----|------|----------------|---------|----|------|----------------|-----|----------------|-----------------|------------------|
| | '34 | | '35 | | '35A | | '58 | | '58A | | '74,'77 | | '74A | | '75 | | '304A, '305A | |
| | RX | TX | RX | TX | RX | TX | RX | TX | RX | TX | RX | TX | RX | TX | RX | TX | RX | TX |
| PE-65351 (1:2CT) | A | D | A | D | A | | A | D | A | | A | D | A | | A | | A | |
| Schott 12930 (1:2CT) | B | C | B | C | B | | B | C | B | | B | C | B | | B | | B | |
| PE-65388 (1:1.15) | | | | | | D ³ | | | | D ³ | | | | D ³ | | D ³ | | D ^{3,5} |
| Schott 12931 (1:1.15) | | | | | | C ³ | | | | C ³ | | | | C ³ | | C ³ | | C ^{3,5} |
| PE-65389 (1:1:1.26) | | | | | | D ⁴ | | | | D ⁴ | | | | D ⁴ | | D ⁴ | | D ^{4,5} |
| Schott 12932 (1:1:1.26) | | | | | | C ⁴ | | | | C ⁴ | | | | C ⁴ | | C ⁴ | | C ^{4,5} |
| PE-64951 (dual 1:2CT) | E | | E | | | | E | | | | E | | | | | | | |
| Schott 11509 (dual 1:2CT) | E | | E | | | | E | | | | E | | | | | | | |
| PE-65565 (dual 1:1.15 & 1:2CT) | | | | | | E ³ | | | | E ³ | | | | E ³ | | E ³ | | E ^{3,5} |
| Schott 12531 (dual 1:1.15 & 1:2CT) | | | | | | E ³ | | | | E ³ | | | | E ³ | | E ³ | | E ^{3,5} |
| PE-65566 (dual 1:1:1.26 & 1:2CT) | | | | | | E ⁴ | | | | E ⁴ | | | | E ⁴ | | E ⁴ | | E ^{4,5} |
| Schott 12532 (dual 1:1:1.26 & 1:2CT) | | | | | | E ⁴ | | | | E ⁴ | | | | E ⁴ | | E ⁴ | | E ^{4,5} |


NOTES:

1. A letter at the intersection of a row and column in Table 2 indicates that the selected transformer is supported for use with the device. The transformer is installed in the evaluation board with pin 1 positioned to match the letter illustrated in the drawing to the left.
2. The receive transformer (RX) is soldered at location T2 on the evaluation board and is used for all applications. The transmit transformer (TX) is socketed at location T1 on the evaluation board and may be changed according to the application.
3. For use in 100Ω T1 twisted-pair applications only.
4. For use in 75Ω and 120Ω E1 applications only. Place jumper JP5 in position F-F for 75Ω E1 applications requiring a 1:1 turns ratio.
5. Transmitter return loss improves when using a 1:2 turns ratio transformer with the appropriate transmit resistors.

Table 2. Transformer Applications

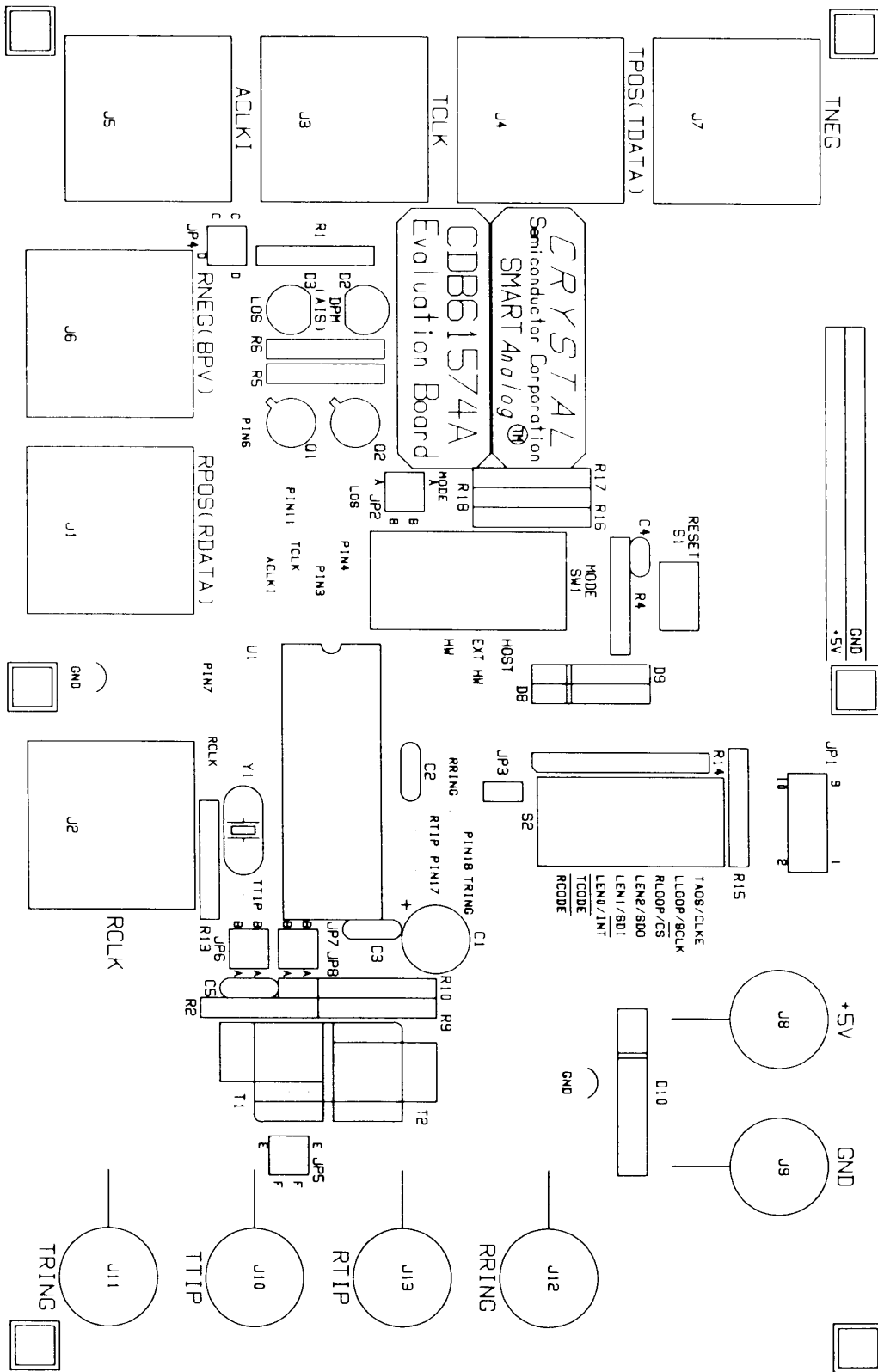


Figure 2. Silk Screen Layer (NOT TO SCALE)

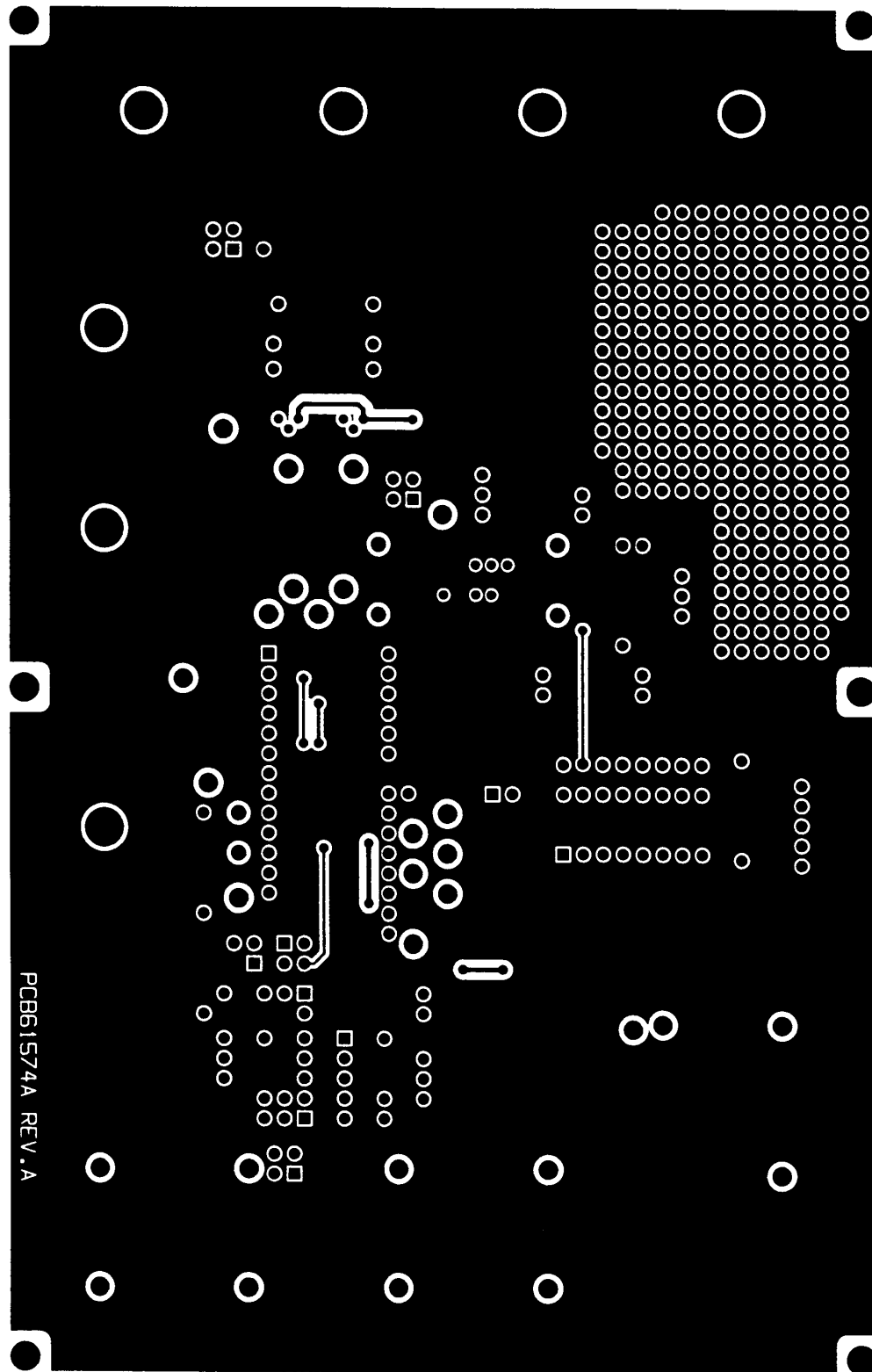


Figure 3. Top Ground Plane Layer (NOT TO SCALE)

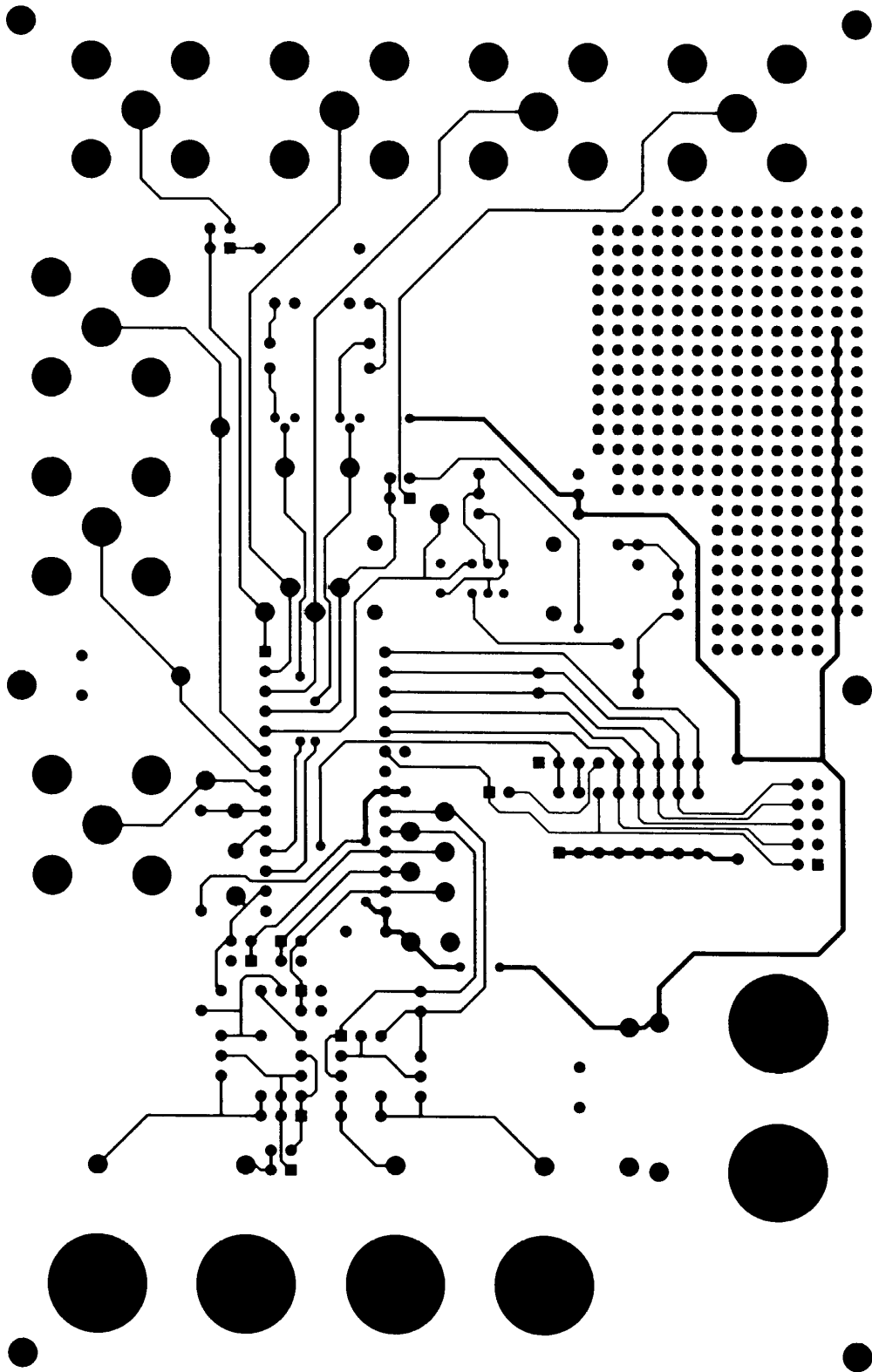


Figure 4. Bottom Trace Layer (NOT TO SCALE)

• **Notes** •

• **Notes** •

• **Notes** •



Smart *Analog*TM is a Trademark of Crystal Semiconductor Corporation