

ATTENUATORS

SMA Flange Mount

DC - 18 GHz

2 Watts



MODELS: 2004, 2005 & 2006

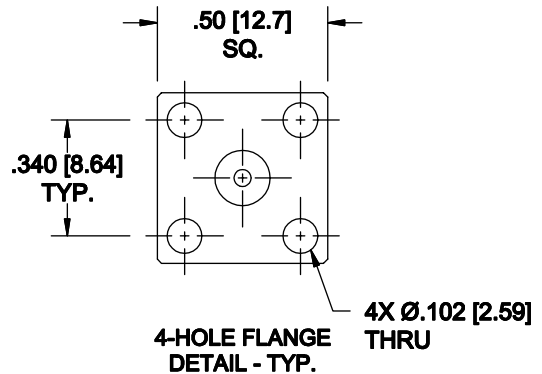
SPECIFICATIONS:

Electrical:

Frequency Range	DC - 18 GHz
Standard dB Values*	0 - 10, 12, 15, 20 & 30 dB In 1 dB Increments
Attenuation Accuracy	
0 - 6 dB	±0.3 dB
7 - 20 dB	±0.5 dB
21 - 30 dB	±0.75 dB
VSWR	
DC - 2 GHz	1.10:1 Max.
2 - 4 GHz	1.15:1 Max.
4 - 8 GHz	1.20:1 Max.
8 - 12.4 GHz	1.25:1 Max.
12.4 - 16 GHz	1.30:1 Max.
16 - 18 GHz	1.35:1 Max.
Input Power	2 Watts Avg. @ +25°C DERATED LINEARLY TO 0.5 WATTS AT +125°C
Peak Power	250 Watts Max. (5uSec Pulse, .05% Duty Cycle)
Impedance	50 Ohms
Operating Temp Range	-65°C to +125°C

Mechanical:

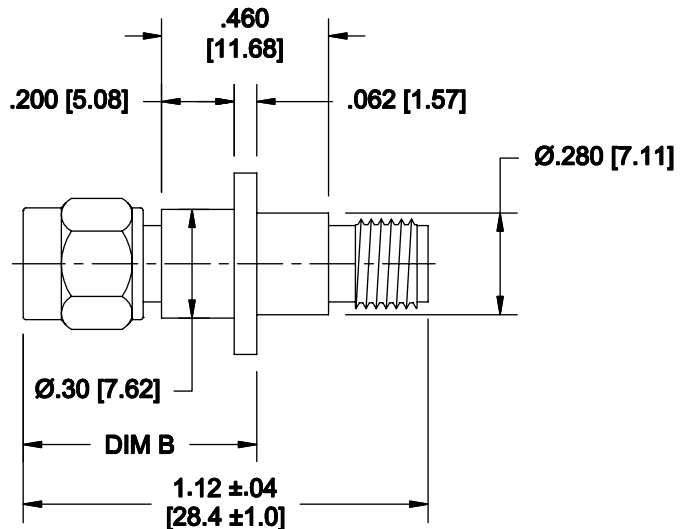
SMA Connectors _____ Passivated Stainless Steel
Mates with MIL-STD-348
 Conductors _____ Gold Plated Beryllium Copper



Model Number: **2004-XX**
 Male/Female Connector
 DIM B: .665 ±.015 [16.89 ±0.38]
 Length: 1.12 ±.04 [28.4 ±1.0]
 Pictured

Model Number: **2005-XX**
 Male/Male Connector
 DIM B: .665 ±.015 [16.89 ±0.38]
 Length: 1.24 ±.04 [31.5 ±1.0]

Model Number: **2006-XX**
 Female/Female Connector
 DIM B: .530 ±.010 [13.46 ±0.25]
 Length: .99 ±.04 [25.1 ±1.0]



HOW TO ORDER:

Model Number: **200X-YY**
 Base Number | dB Value
 4 = Male/Female
 5 = Male/Male
 6 = Female/Female

Ordering Examples:

Model Number: **2004-12**
 12 dB; SMA - Male/Female

Model Number: **2006-6**
 6 dB; SMA - Female/Female

Note: Dimensions in Brackets are Expressed in Millimeters and are for Reference Only.
 *Other dB values are also available. Male connectors can be supplied with coupling nuts unattached to aid in installation.

2004; REV F