

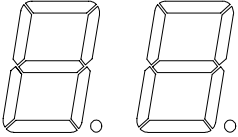
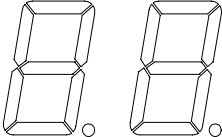
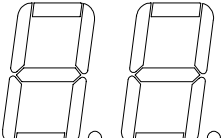
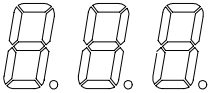
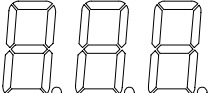
Character Height	Display Font	Part No.	Chip		Face Color	Vf(V)		Iv(μcd)		C.C. or C.A.	Drawing No.
			Emitting Color	λ p(nm)		Typ.	Max.	at If=mA	Typ.		

0.28" Single Digit		S325GWB	Green	565	Black	2.1	2.8	10	2000	C.C.	E1
		S325SRWA	Red	660	Gray	1.7	2.4	10	3000	C.C.	
		S326GWB	Green	565	Black	2.1	2.8	10	2000	C.A.	
		S326SRWA	Red	660	Gray	1.7	2.4	10	3000	C.A.	
0.3" Single Digit		S321GWA	Green	565	Gray	2.1	2.8	10	2000	C.C.	E2
		S321EWA	Red	635	Gray	2	2.8	10	1200	C.C.	
		S322GWA	Green	565	Gray	2.1	2.8	10	2000	C.A.	
		S322IDB	Red	635	Black	2	2.8	10	1450	C.A.	
		S322IDR	Red	635	Red	2	2.8	10	1450	C.A.	
0.36" Single Digit		S315HDR	Red	697	Red	2.1	2.8	10	300	C.C.	E3
		S315GWA	Green	565	Gray	2.1	2.8	10	1300	C.C.	
		S315IDB	Red	635	Black	2	2.8	10	1800	C.C.	
		S316HDR	Red	697	Red	2.1	2.8	10	300	C.A.	
		S316GWA	Green	565	Gray	2.1	2.8	10	1300	C.A.	
		S316IDR	Red	635	Red	2	2.8	10	1800	C.A.	
		S316IDB	Red	635	Black	2	2.8	10	1800	C.A.	
0.39" Single Digit		S431GWA	Green	565	Gray	2.1	2.8	10	2860	C.C.	E4
		S431EWA	Red	635	Gray	2	2.8	10	2000	C.C.	
		S432GWA	Green	565	Gray	2.1	2.8	10	2860	C.A.	
		S432EWA	Red	635	Gray	2	2.8	10	2000	C.A.	
0.4" Single Digit		S401GWA	Green	565	Gray	2.1	2.8	10	2000	C.C.	E5
		S401EWA	Red	635	Gray	2	2.8	10	2000	C.C.	
		S402GWA	Green	565	Gray	2.1	2.8	10	2000	C.A.	
		S402IDR	Red	635	Red	2	2.8	10	2000	C.A.	
0.43" Single Digit		S411HWB	Red	697	Black	2.1	2.8	10	500	C.C.	E6
		S411GWA	Green	565	Gray	2.1	2.8	10	2000	C.C.	
		S411EWA	Red	635	Gray	2	2.8	10	1700	C.C.	
		S412HWB	Red	697	Black	2.1	2.8	10	500	C.A.	
		S412GWA	Green	565	Gray	2.1	2.8	10	2000	C.A.	
		S412EWA	Red	635	Gray	2	2.8	10	1700	C.A.	

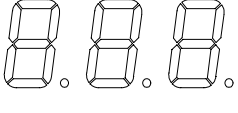
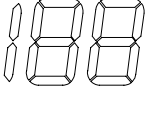
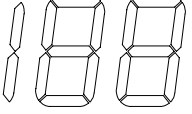
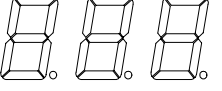
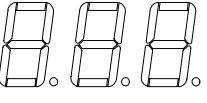
Character Height	Display Font	Part No.	Chip		Face Color	Vf(V)		Iv(μcd)		C.C. or C.A.	Drawing No.
			Emitting Color	λ p(nm)		Typ.	Max.	at If=mA	Typ.		
0.5" Single Digit		S505GWA	Green	565	Gray	2.1	2.8	10	2200	C.C.	E7
		S505EWA	Red	635	Gray	2	2.8	10	2000	C.C.	
		S506GWA	Green	565	Gray	2.1	2.8	10	2200	C.A.	
		S506IDR	Red	635	Red	2	2.8	10	2000	C.A.	
0.52" Single Digit		S515GWA	Green	565	Gray	2.1	2.8	10	2200	C.C.	E8
		S515EWA	Red	635	Gray	2	2.8	10	2100	C.C.	
		S516GWA	Green	565	Gray	2.1	2.8	10	2200	C.A.	
		S516EWA	Red	635	Gray	2	2.8	10	2100	C.A.	
0.56" Single Digit		S511GWA	Green	565	Gray	2.1	2.8	10	3400	C.C.	E9
		S511IDB	Red	635	Black	2	2.8	10	2200	C.C.	
		S511IDR	Red	635	Red	2	2.8	10	2200	C.C.	
		S511SRWA	Red	660	Gray	1.7	2.4	2	2200	C.C.	
		S512GWA	Green	565	Gray	2.1	2.8	10	3400	C.A.	
		S512IDB	Red	635	Black	2	2.8	10	2200	C.A.	
		S512IDR	Red	635	Red	2	2.8	10	2200	C.A.	
		S512SRWA	Red	660	Gray	1.7	2.4	2	2200	C.A.	
0.8" Single Digit		S815GWA	Green	565	Gray	2.1	2.8	10	5100	C.C.	E-10
		S815EWA	Red	635	Gray	2	2.8	10	3500	C.C.	
		S816GWA	Green	565	Gray	2.1	2.8	10	5100	C.A.	
		S816EWA	Red	635	Gray	2	2.8	10	3500	C.A.	
1.0" Single Digit		S1005GWA	Green	565	Gray	4.2	5.6	10	7300	C.C.	E11
		S1005IDR	Red	635	Red	4	5.6	10	4100	C.C.	
		S1006GWA	Green	565	Gray	4.2	5.6	10	7300	C.A.	
		S1006IDR	Red	635	Red	4	5.6	10	4100	C.A.	
1.2" Single Digit		S1205GWA	Green	565	Gray	4.2	5.6	10	7500	C.C.	E12
		S1205IDR	Red	635	Red	4	5.6	10	4300	C.C.	
		S1205EGWA (Bi-color)	Green Red	565 635	Gray	4.2 4	5.6 5.6	10 10	7500 4300	C.C.	
		S1206GWA	Green	565	Gray	4.2	5.6	10	7500	C.A.	
		S1206IDR	Red	635	Red	4	5.6	10	4300	C.A.	
		S1206EGWA (Bi-color)	Green Red	565 635	Gray	4.2 4	5.6 5.6	10 10	7500 4300	C.A.	

Character Height	Display Font	Part No.	Chip		Face Color	Vf(V)		Iv(μ cd)		C.C. or C.A.	Drawing No.
			Emitting Color	λ p(nm)		Typ.	Max.	at If=mA	Typ.		
1.5" Single Digit		S1505GWA	Green	565	Gray	4.2	5.6	10	8000	C.C.	E13
		S1505IDR	Red	635	Red	4	5.6	10	4800	C.C.	
		S1505EGWA (Bi-color)	Green Red	565 635	Gray	4.2 4	5.6 5.6	10 10	8000 4800	C.C.	
		S1506GWA	Green	565	Gray	4.2	5.6	10	8000	C.A.	
		S1506IDR	Red	635	Red	4	5.6	10	4800	C.A.	
		S1506EGWA (Bi-color)	Green Red	565 635	Gray	4.2 4	5.6 5.6	10 10	8000 4800	C.A.	
1.8" Single Digit		S1805GWA	Green	565	Gray	6.3	8.4	10	9000	C.C.	E14
		S1805IDR	Red	635	Red	6	8.4	10	5000	C.C.	
		S1805EGWA (Bi-color)	Green Red	565 635	Gray	6.3 6	8.4 8.4	10 10	9000 5000	C.C.	
		S1806GWA	Green	565	Gray	6.3	8.4	10	9000	C.A.	
		S1806IDR	Red	635	Red	6	8.4	10	5000	C.A.	
		S1806EGWA (Bi-color)	Green Red	565 635	Gray	6.3 6	8.4 8.4	10 10	9000 5000	C.A.	
0.3" Dual Digit		D305HWB	Red	697	Red	2.1	2.8	10	500	C.C.	E15
		D305GWA	Green	565	Gray	2.1	2.8	10	1200	C.C.	
		D305IDB	Red	635	Black	2	2.8	10	1300	C.C.	
		D306HWB	Red	697	Red	2.1	2.8	10	500	C.A.	
		D306GWA	Green	565	Gray	2.1	2.8	10	1200	C.A.	
		D306IDB	Red	635	Black	2	2.8	10	1300	C.A.	
0.36" Dual Digit		D305HWB	Red	697	Red	2.1	2.8	10	700	C.C.	E16
		D305GWA	Green	565	Gray	2.1	2.8	10	1300	C.C.	
		D305IDB	Red	635	Black	2	2.8	10	1400	C.C.	
		D306HWB	Red	697	Red	2.1	2.8	10	700	C.A.	
		D306GWA	Green	565	Gray	2.1	2.8	10	1300	C.A.	
		D306IDB	Red	635	Black	2	2.8	10	1400	C.A.	
0.4" Dual Digit		D405GWA	Green	565	Gray	2.1	2.8	10	1300	C.C.	E17
		D405IDB	Red	635	Black	2	2.8	10	1400	C.C.	
		D406HWB	Red	697	Black	2.1	2.8	10	700	C.A.	
		D406GWA	Green	565	Gray	2.1	2.8	10	1300	C.A.	
		D406IDB	Red	635	Black	2	2.8	10	1400	C.A.	

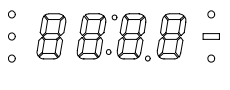
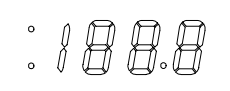
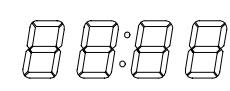
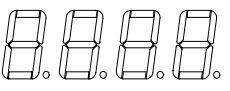
Character Height	Display Font	Part No.	Chip		Face Color	Vf(V)		Iv(μcd)		C.C. or C.A.	Drawing No.
			Emitting Color	λ p(nm)		Typ.	Max.	at If=mA	Typ.		

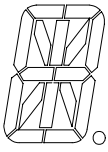
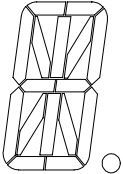
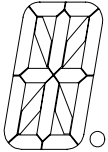
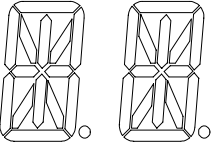
0.43" Dual Digit		D415HWB	Red	697	Black	2.1	2.8	10	700	C.C.	E18
		D415GWA	Green	565	Gray	2.1	2.8	10	1300	C.C.	
		D415IDB	Red	635	Black	2	2.8	10	1400	C.C.	
		D416HWB	Red	697	Black	2.1	2.8	10	700	C.A.	
		D416GWA	Green	565	Gray	2.1	2.8	10	1300	C.A.	
		D416IDB	Red	635	Black	2	2.8	10	1400	C.A.	
0.5" Dual Digit		D505HWB	Red	697	Red	2.1	2.8	10	700	C.C.	E19
		D505GWA	Green	565	Gray	2.1	2.8	10	1300	C.C.	
		D505IDB	Red	635	Black	2	2.8	10	1400	C.C.	
		D506HWB	Red	697	Black	2.1	2.8	10	700	C.A.	
		D506GWA	Green	565	Gray	2.1	2.8	10	1300	C.A.	
		D506IDB	Red	635	Black	2	2.8	10	1400	C.A.	
0.56" Dual Digit		D511HWB	Red	697	Black	2.1	2.8	10	550	C.C.	E20
		D511GWA	Green	565	Gray	2.1	2.8	10	2000	C.C.	
		D511GWB	Green	565	Black	2.1	2.8	10	2000	C.C.	
		D511IDR	Red	635	Red	2	2.8	10	2000	C.C.	
		D511SRWB	Red	660	Black	1.7	2.4	2	1700	C.C.	
		D512HWB	Red	697	Black	2.1	2.8	10	800	C.A.	
		D512GWA	Green	565	Gray	2.1	2.8	10	2000	C.A.	
		D512GWB	Green	565	Black	2.1	2.8	10	2000	C.A.	
		D512IDR	Red	635	Red	2	2.8	10	2000	C.A.	
		D512SRWB	Red	660	Black	1.7	2.4	2	1700	C.A.	
0.3" Three Digit		T335GWB	Green	565	Black	2.1	2.8	10	1800	C.C.	E21
		T335IDR	Red	635	Red	2	2.8	10	1800	C.C.	
		T336GWB	Green	565	Black	2.1	2.8	10	1800	C.A.	
		T336IDR	Red	635	Red	2	2.8	10	1800	C.A.	
0.36" Three Digit		T315GWB	Green	565	Black	2.1	2.8	10	1800	C.C.	E22
		T315IDR	Red	635	Red	2	2.8	10	1800	C.C.	
		T316GWB	Green	565	Black	2.1	2.8	10	1800	C.A.	
		T316IDR	Red	635	Red	2	2.8	10	1800	C.A.	

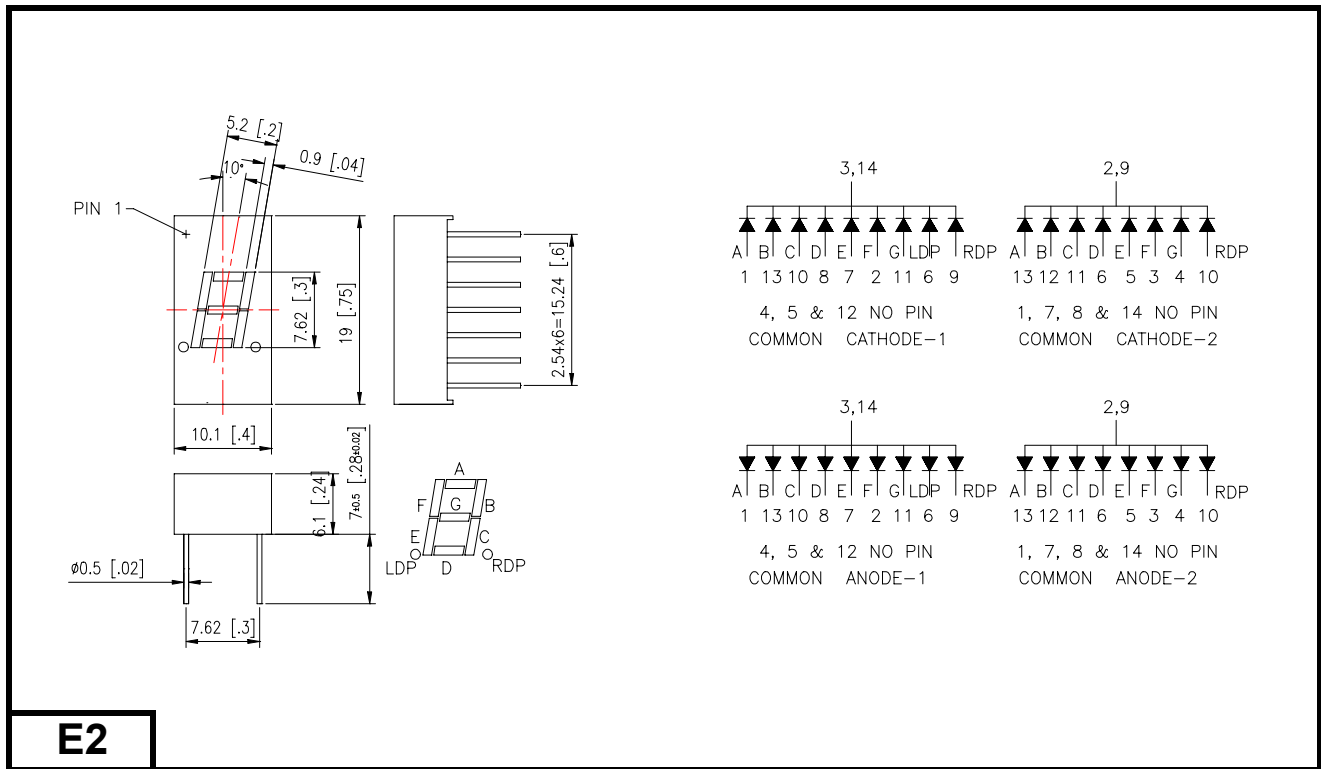
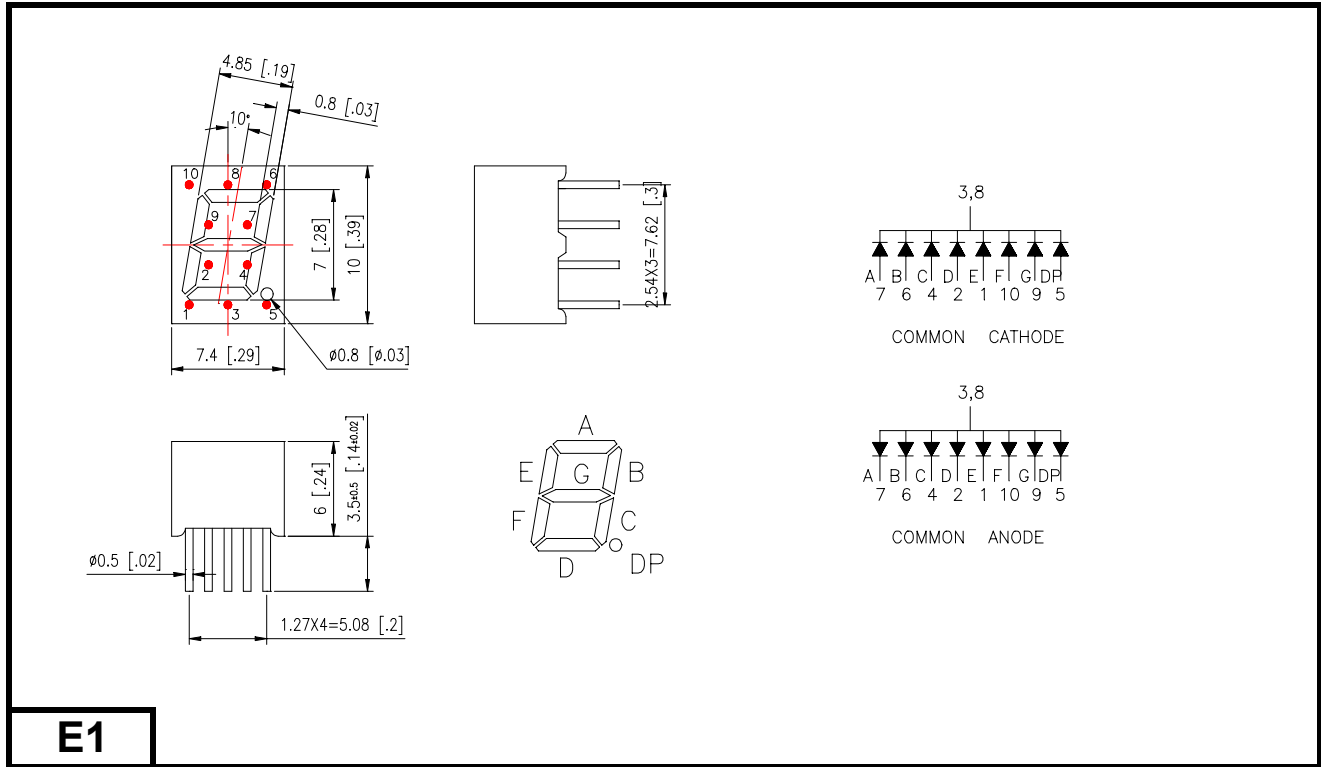
Character Height	Display Font	Part No.	Chip		Face Color	Vf(V)		Iv(μcd)		C.C. or C.A.	Drawing No.
			Emitting Color	λ p(nm)		Typ.	Max.	at If=mA	Typ.		

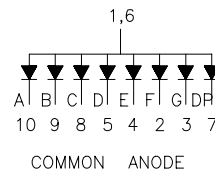
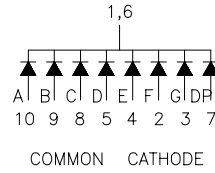
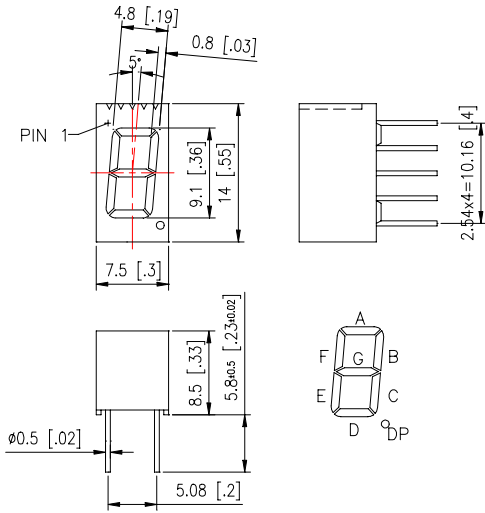
0.4" Three Digit		T401GWB	Green	565	Black	2.1	2.8	10	1800	C.C.	E23
		T401IDR	Red	635	Red	2	2.8	10	1800	C.C.	
		T402GWB	Green	565	Black	2.1	2.8	10	1800	C.A.	
		T402IDR	Red	635	Red	2	2.8	10	1800	C.A.	
0.4" Three Digit		TH401GWB	Green	565	Black	2.1	2.8	10	1800	C.C.	E24
		TH401IDR	Red	635	Red	2	2.8	10	1800	C.C.	
		TH402GWB	Green	565	Black	2.1	2.8	10	1800	C.A.	
		TH402IDR	Red	635	Red	2	2.8	10	1800	C.A.	
0.5" Three Digit		TH505GWB	Green	565	Black	2.1	2.8	10	1800	C.C.	E25
		TH505IDR	Red	635	Red	2	2.8	10	1800	C.C.	
		TH506GWB	Green	565	Black	2.1	2.8	10	1800	C.A.	
		TH506IDR	Red	635	Red	2	2.8	10	1800	C.A.	
0.52" Three Digit		T515HWB	Red	697	Black	2.1	2.8	10	700	C.C.	E26
		T515GWB	Green	565	Black	2.1	2.8	10	2000	C.C.	
		T515IDR	Red	635	Red	2	2.8	10	2000	C.C.	
		T515SRWA	Red	660	Red	1.7	2.4	2	5000	C.C.	
		T516HWB	Red	697	Black	2.1	2.8	10	700	C.A.	
		T516GWB	Green	565	Black	2.1	2.8	10	2000	C.A.	
		T516IDR	Red	635	Red	2	2.8	10	2000	C.A.	
		T516SRWA	Red	660	Gray	1.7	2.4	2	5000	C.A.	
0.56" Three Digit		T511HWB	Red	697	Black	2.1	2.8	10	700	C.C.	E27
		T511GWB	Green	565	Black	2.1	2.8	10	2000	C.C.	
		T511IDR	Red	635	Red	2	2.8	10	2000	C.C.	
		T511SRWA	Red	660	Red	1.7	2.4	2	5000	C.C.	
		T512HWB	Red	697	Black	2.1	2.8	10	700	C.A.	
		T512GWB	Green	565	Black	2.1	2.8	10	2000	C.A.	
		T512IDR	Red	635	Red	2	2.8	10	2000	C.A.	
		T512SRWA	Red	660	Gray	1.7	2.4	2	5000	C.A.	

Character Height	Display Font	Part No.	Chip		Face Color	Vf(V)		Iv(μcd)		C.C. or C.A.	Drawing No.
			Emitting Color	λ p(nm)		Typ.	Max.	at If=mA	Typ.		

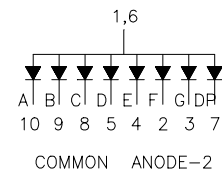
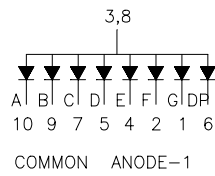
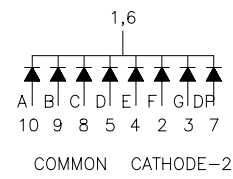
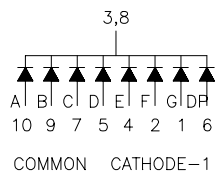
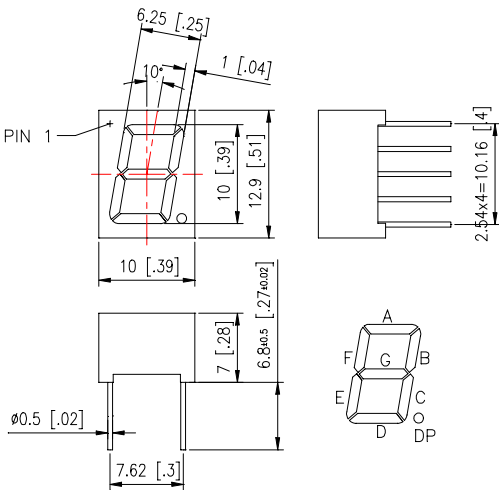
0.25" Four Digit		F211GWB	Green	565	Black	2.1	2.8	10	2000	C.C.	E28
		F211IDR	Red	635	Red	2	2.8	10	2000	C.C.	
		F212GWB	Green	565	Black	2.1	2.8	10	2000	C.A.	
		F212IDR	Red	635	Red	2	2.8	10	2000	C.A.	
0.3" Four Digit		F305GWB	Green	565	Black	2.1	2.8	10	2000	C.C.	E29
		F305IDR	Red	635	Red	2	2.8	10	2000	C.C.	
		F306GWB	Green	565	Black	2.1	2.8	10	2000	C.A.	
		F306IDR	Red	635	Red	2	2.8	10	2000	C.A.	
0.39" Four Digit		F431GWB	Green	565	Black	2.1	2.8	10	2000	C.C.	E30
		F431IDR	Red	635	Red	2	2.8	10	2000	C.C.	
		F432GWB	Green	565	Black	2.1	2.8	10	2000	C.A.	
		F432IDR	Red	635	Red	2	2.8	10	2000	C.A.	
0.56" Four Digit		F511HWB	Red	697	Black	2.1	2.8	10	550	C.C.	E31
		F511GWA	Green	565	Gray	2.1	2.8	10	2000	C.C.	
		F511GWB	Green	565	Black	2.1	2.8	10	2000	C.C.	
		F511IDR	Red	635	Red	2	2.8	10	3600	C.C.	
		F511SRWB	Red	660	Black	1.7	2.4	2	5000	C.C.	
		F512HWB	Red	697	Black	2.1	2.8	10	800	C.A.	
		F512GWA	Green	565	Gray	2.1	2.8	10	2000	C.A.	
		F512GWB	Green	565	Black	2.1	2.8	10	2000	C.A.	
		F512IDR	Red	635	Red	2	2.8	10	3600	C.A.	
		F512SRWB	Red	660	Black	1.7	2.4	2	5000	C.A.	

Character Height	Display Font	Part No.	Chip		Face Color	Vf(V)		Iv(μcd)		C.C. or C.A.	Drawing No.
			Emitting Color	λ p(nm)		Typ.	Max.	at If=mA	Typ.		
0.5" Single Digit		SA505GWA	Green	565	Gray	2.1	2.8	10	2200	C.C.	E32
		SA505EWA	Red	635	Gray	2	2.8	10	2000	C.C.	
		SA506GWA	Green	565	Gray	2.1	2.8	10	2200	C.A.	
		SA506IDR	Red	635	Red	2	2.8	10	2000	C.A.	
0.8" Single Digit		SA815GWA	Green	565	Gray	2.1	2.8	10	5100	C.C.	E33
		SA815EWA	Red	635	Gray	2	2.8	10	3500	C.C.	
		SA816GWA	Green	565	Gray	2.1	2.8	10	5100	C.A.	
		SA816IDR	Red	635	Red	2	2.8	10	3500	C.A.	
2.3" Single Digit		SA2305GWA	Green	565	Gray	nx2.1	nx2.8	10	7000	C.C.	E34
		SA2305EWA	Red	635	Gray	nx2	nx2.8	10	3500	C.C.	
		SA2306GWA	Green	565	Gray	nx2.1	nx2.8	10	7000	C.A.	
		SA2306IDR	Red	635	Red	nx2	nx2.8	10	3500	C.A.	
0.54" Dual Digit		DA541GWA	Green	565	Gray	2.1	2.8	10	1300	C.C.	E35
		DA541IDB	Red	635	Black	2	2.8	10	1400	C.C.	
		DA542GWA	Green	565	Gray	2.1	2.8	10	1300	C.A.	
		DA542IDB	Red	635	Black	2	2.8	10	1400	C.A.	

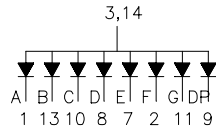
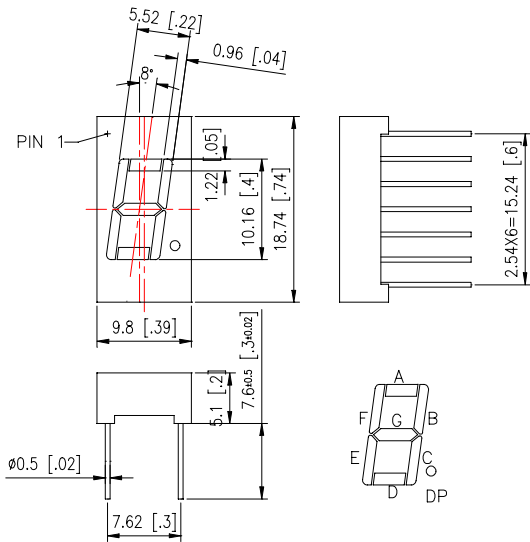




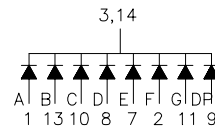
E3



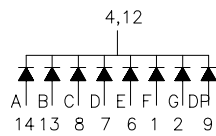
E4



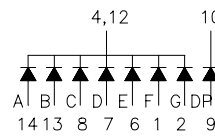
4,5,6 & 12 NO PIN
COMMON ANODE



4,5,6 & 12 NO PIN
COMMON CATHODE-1

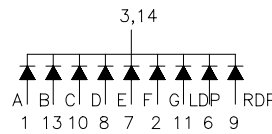
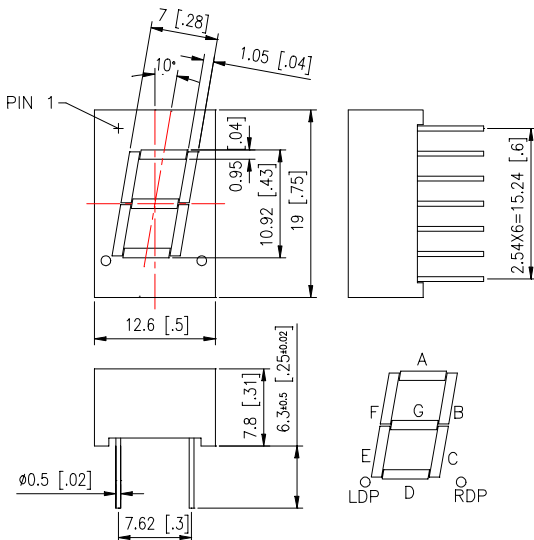


3,5,10 & 11 NO PIN
COMMON CATHODE-2

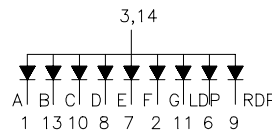


3,5 & 11 NO PIN
COMMON CATHODE-3

E5

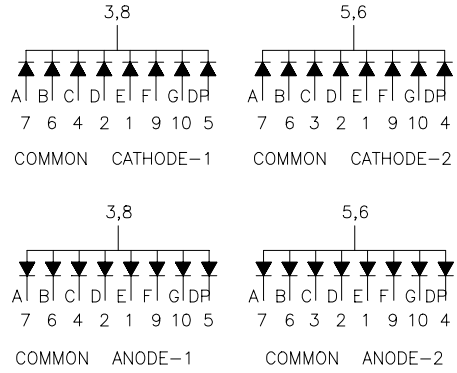
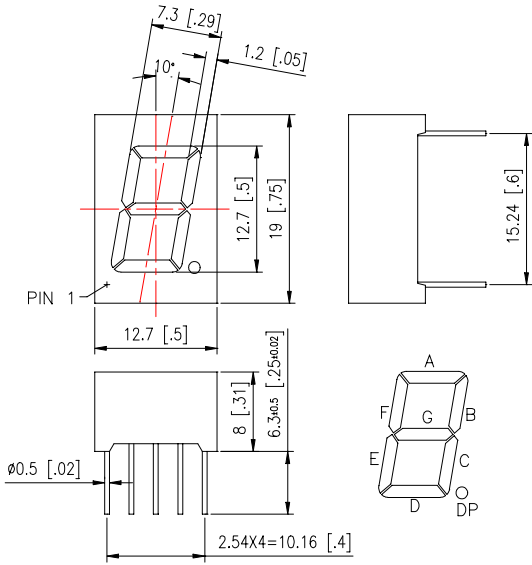


4, 5 & 12 NO PIN
COMMON CATHODE

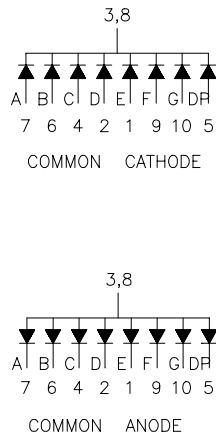
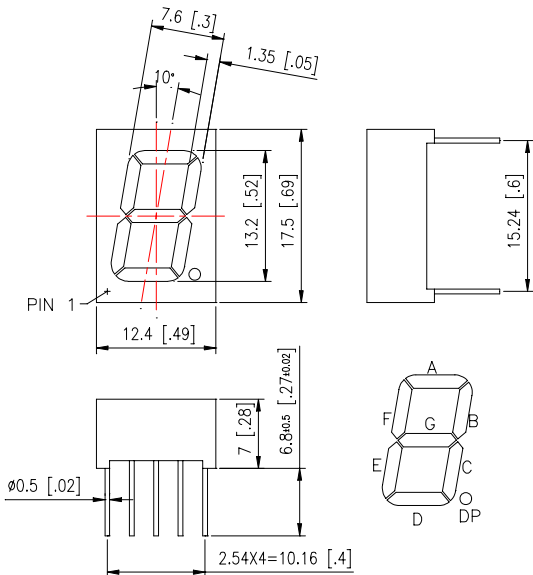


4, 5 & 12 NO PIN
COMMON ANODE

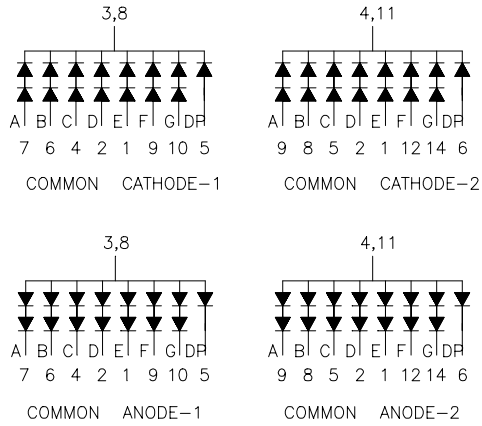
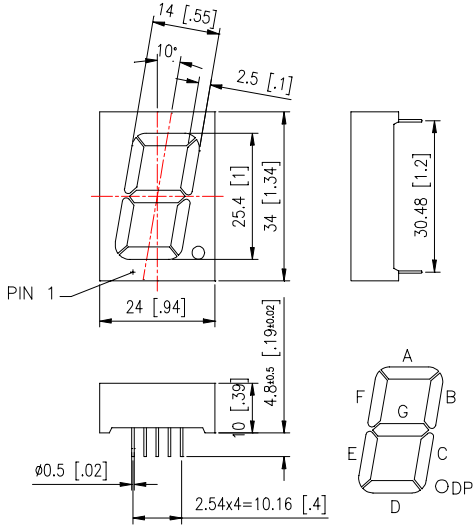
E6



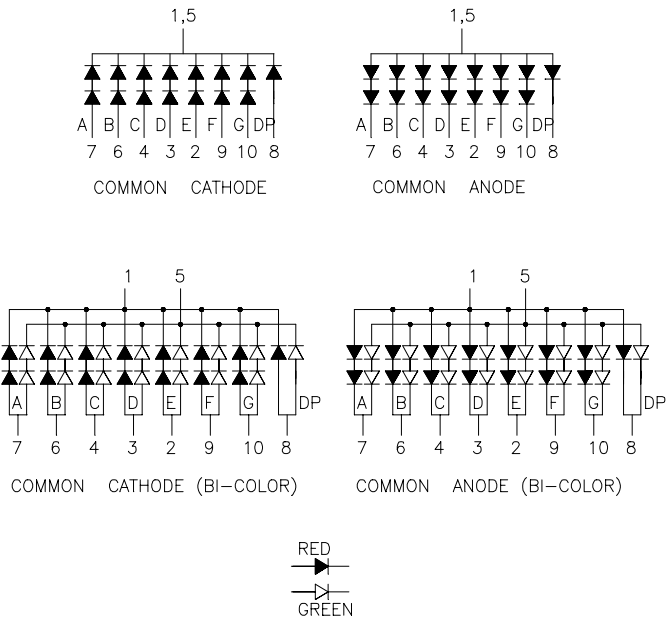
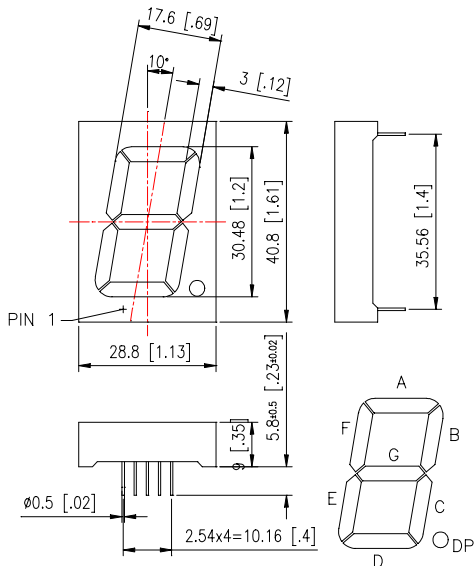
E7



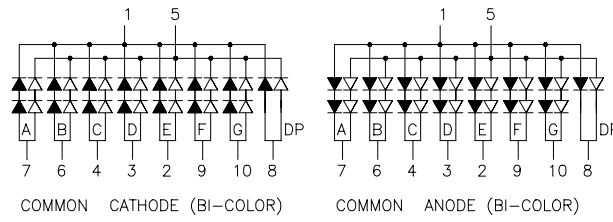
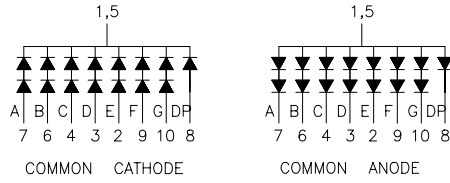
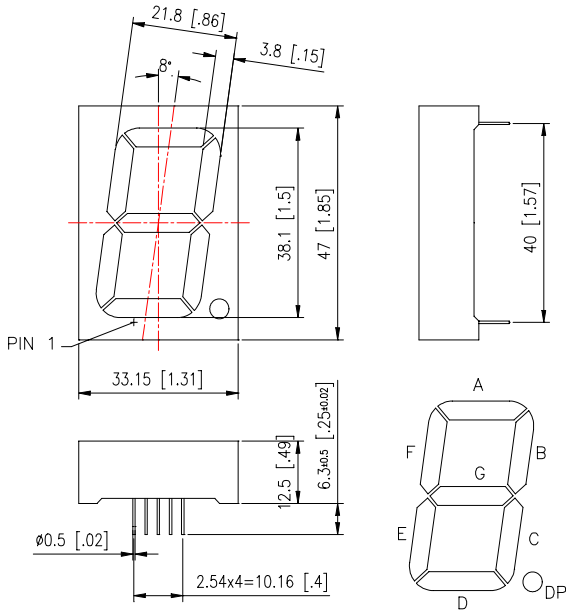
E8



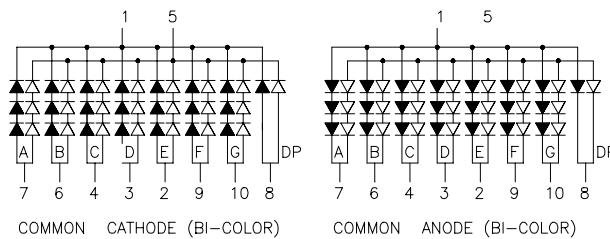
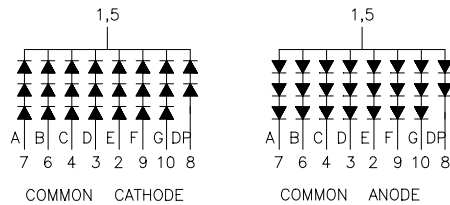
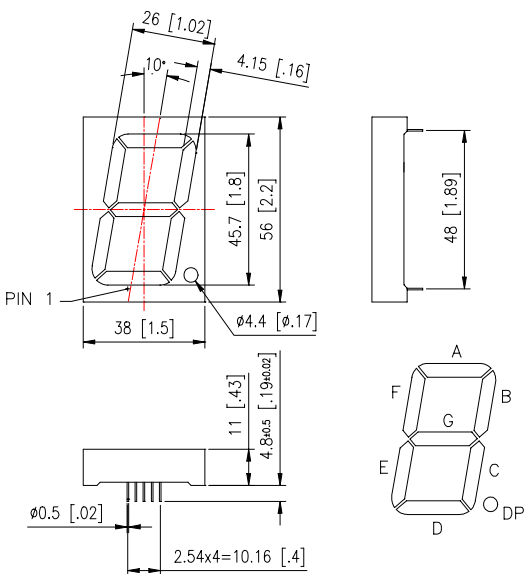
E11



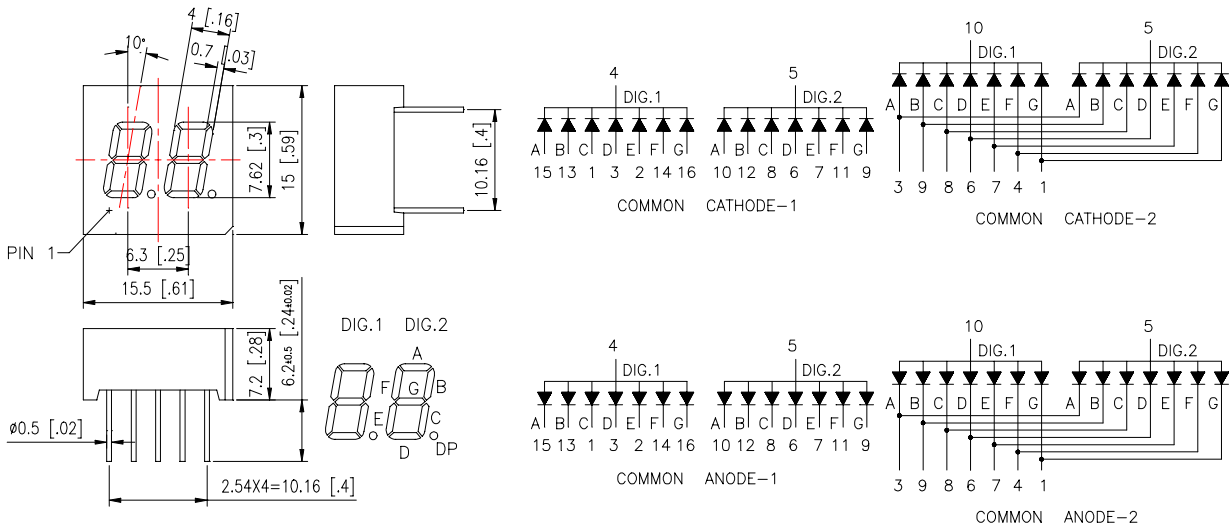
E12



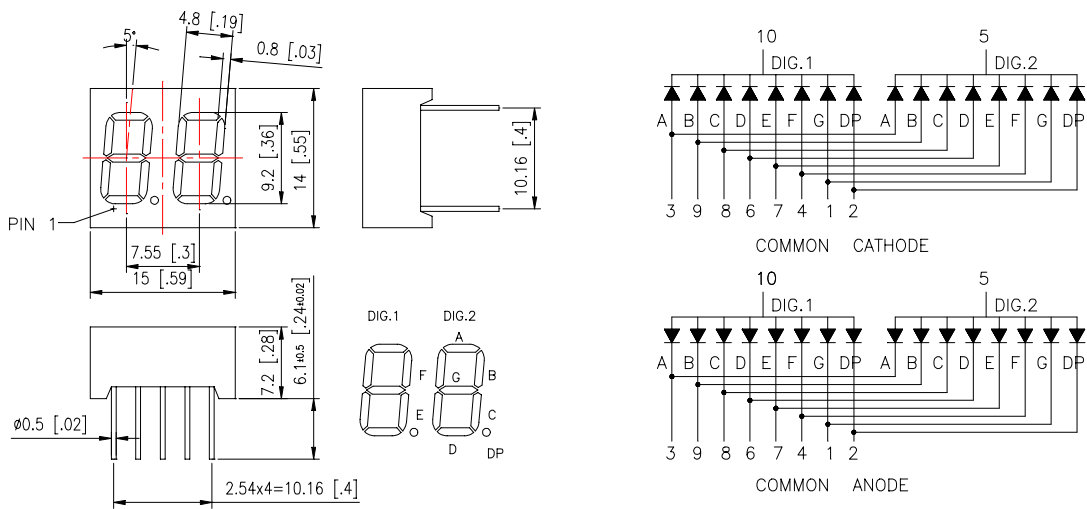
E13



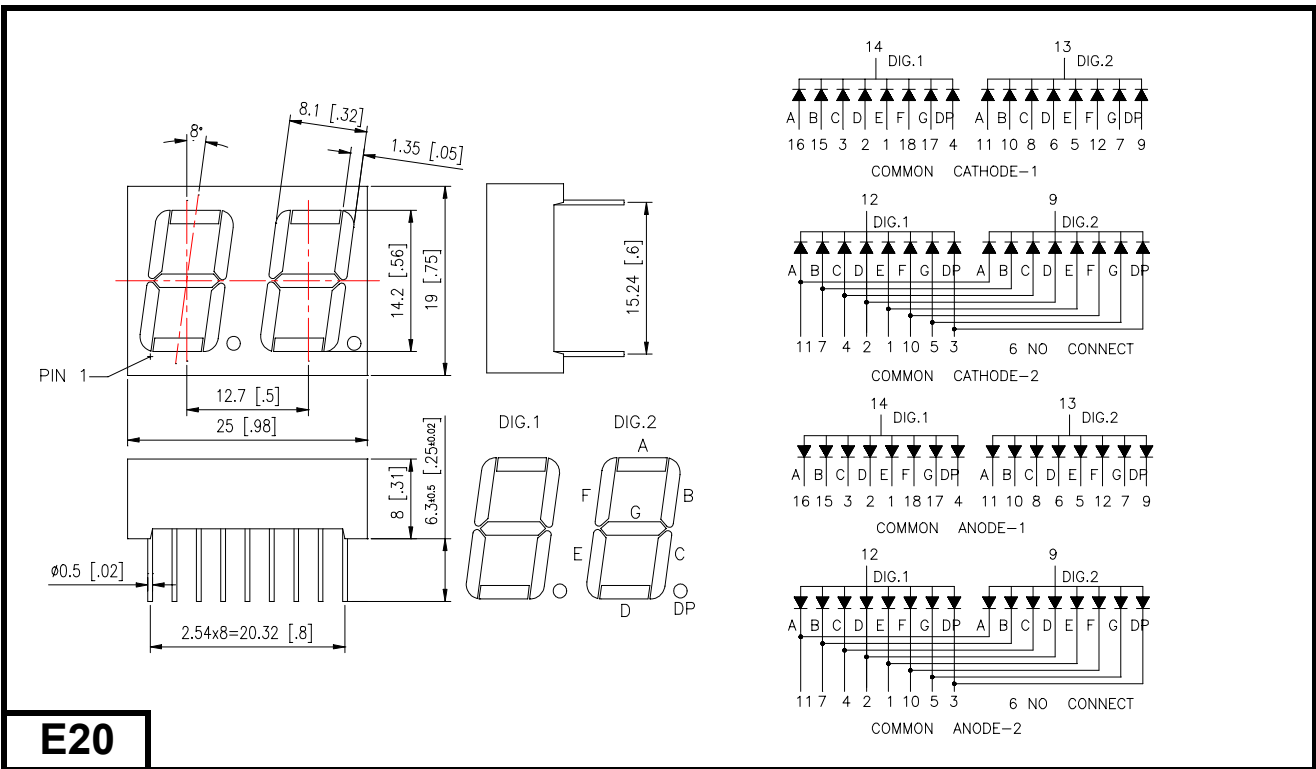
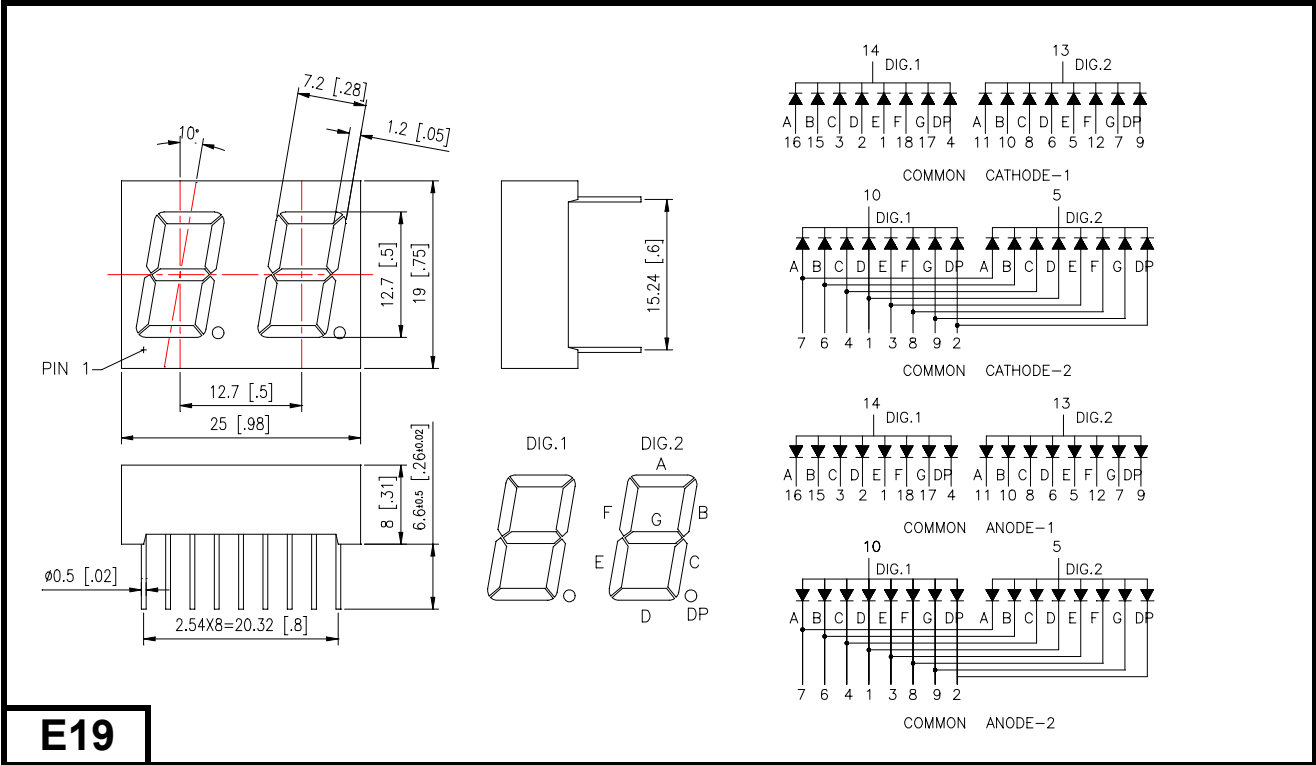
E14

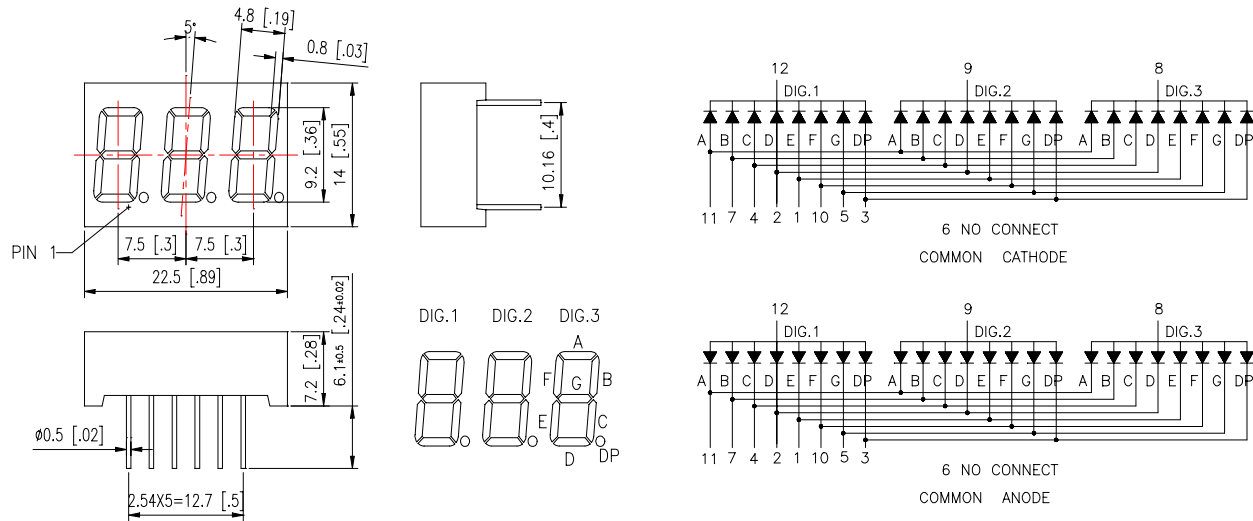
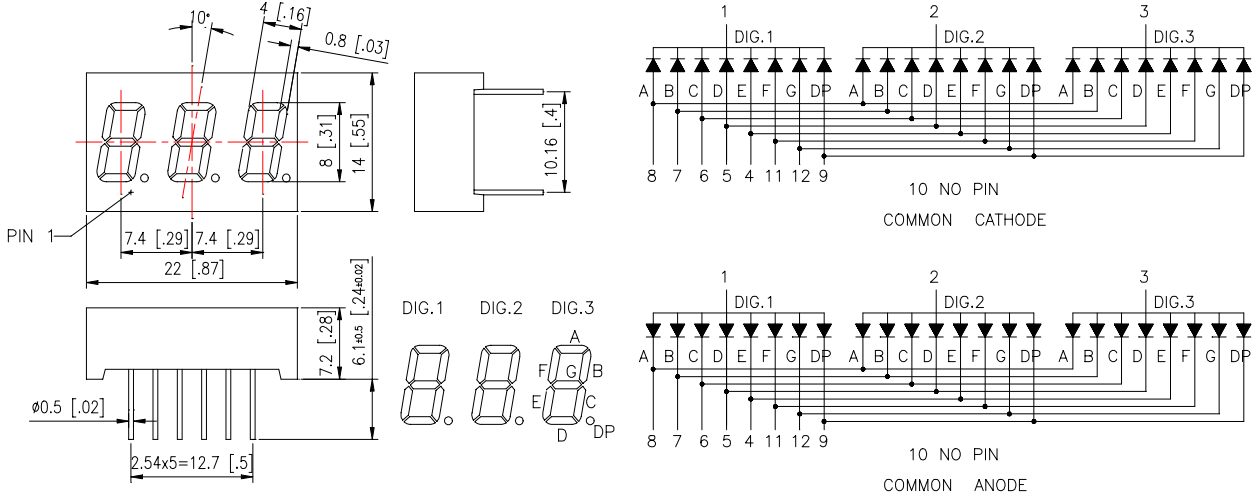


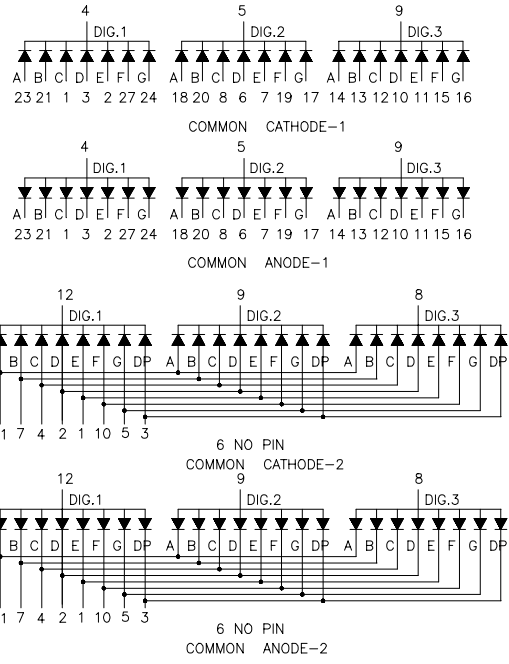
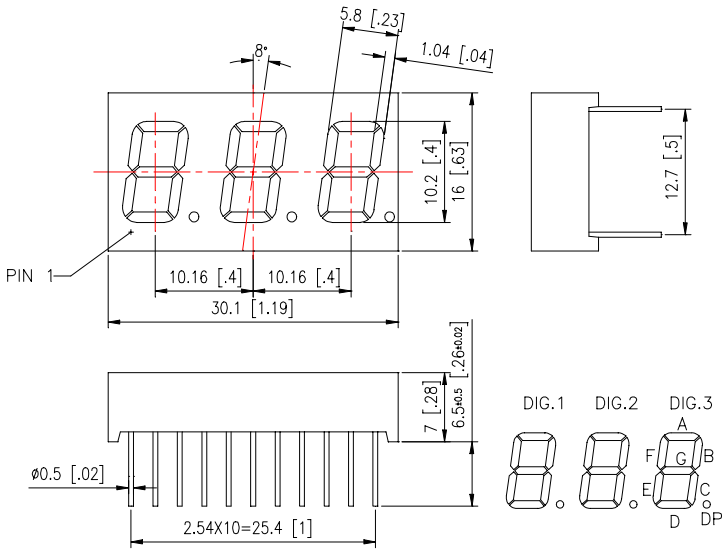
E15



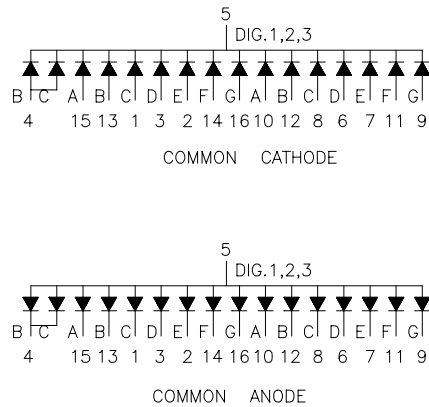
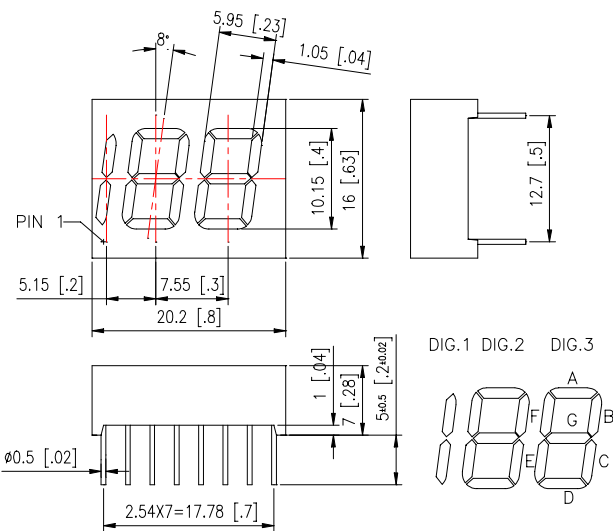
E16



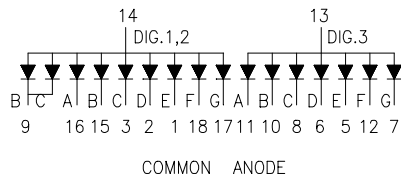
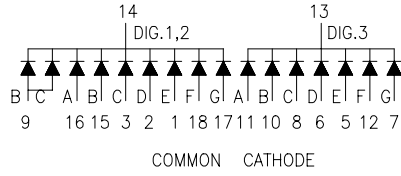
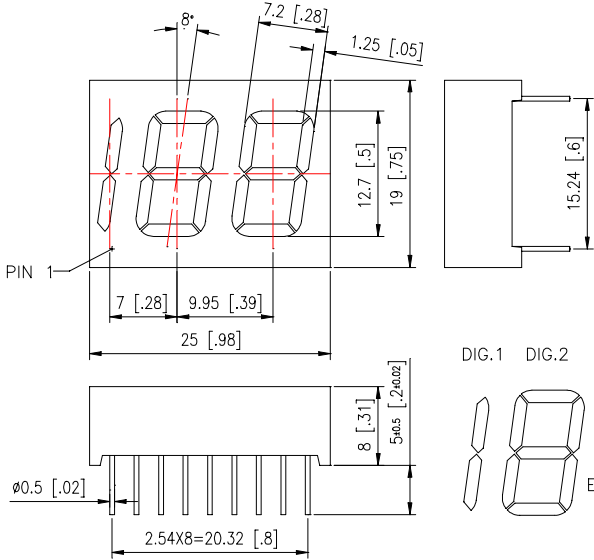




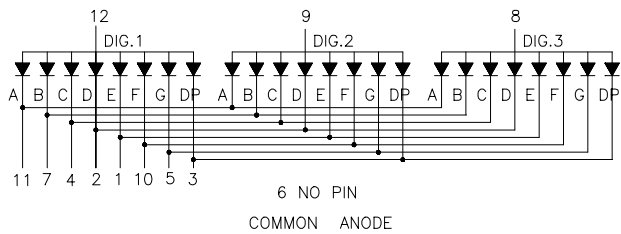
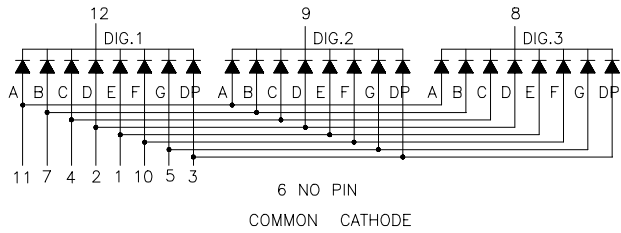
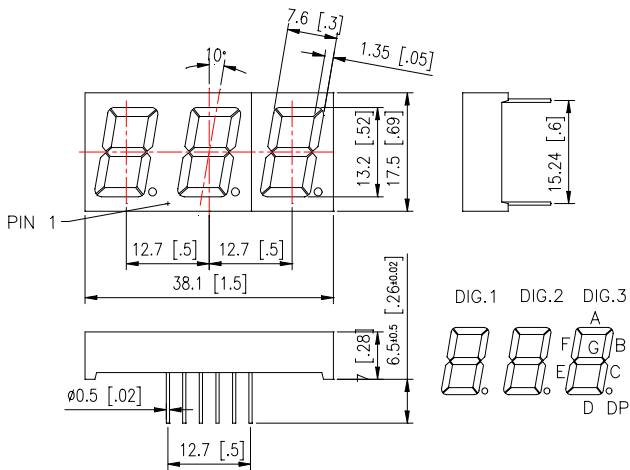
E23



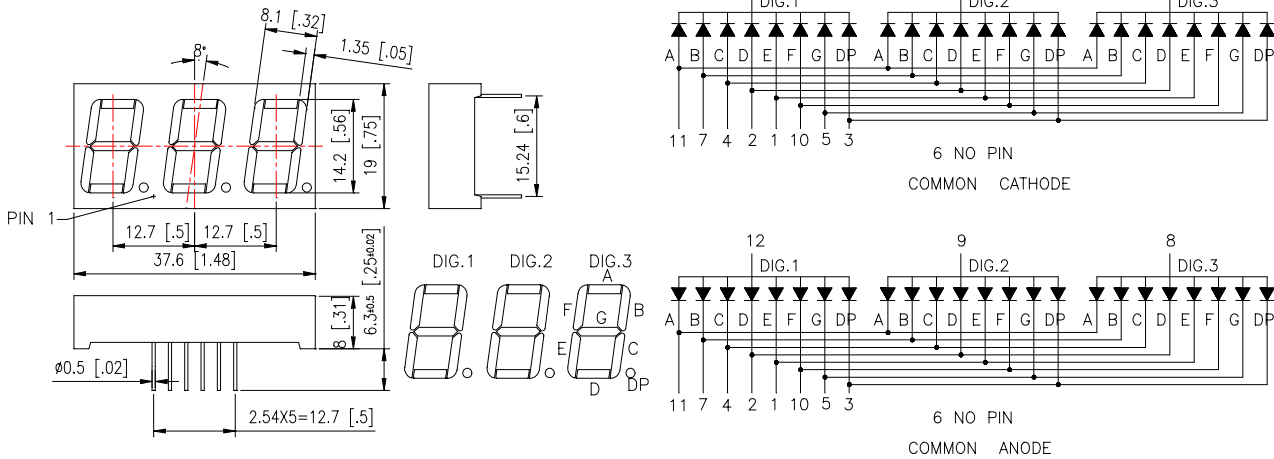
E24



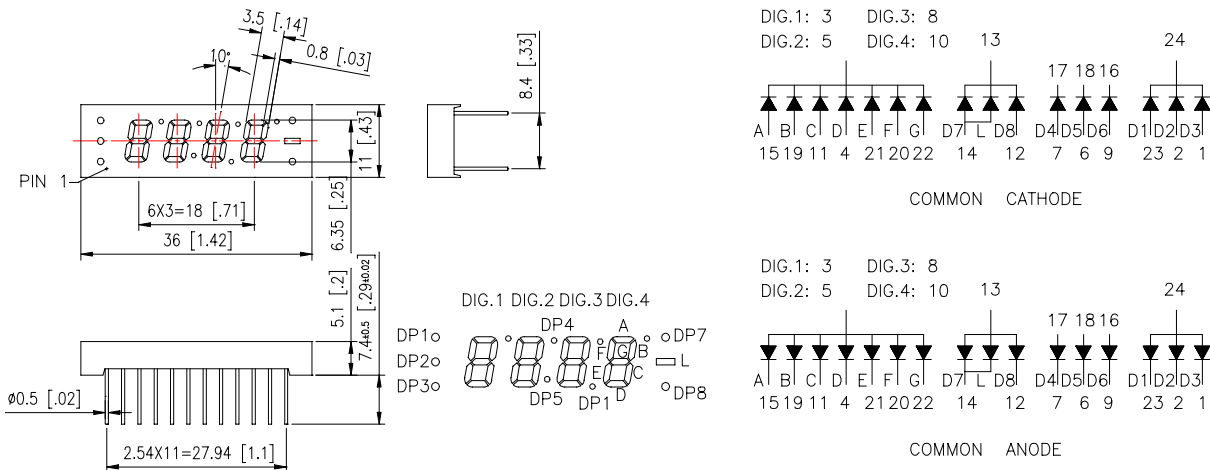
E25



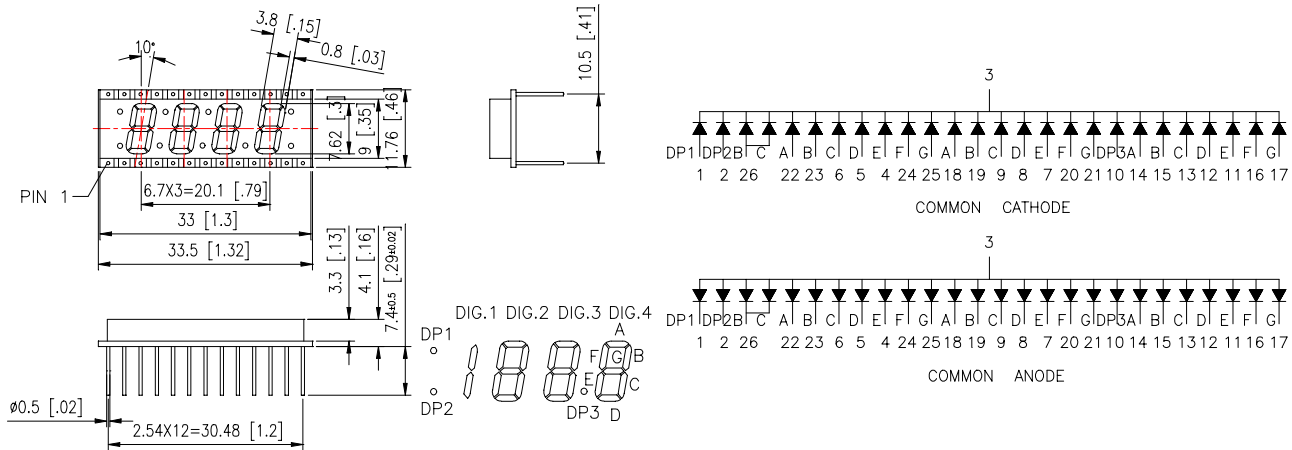
E26



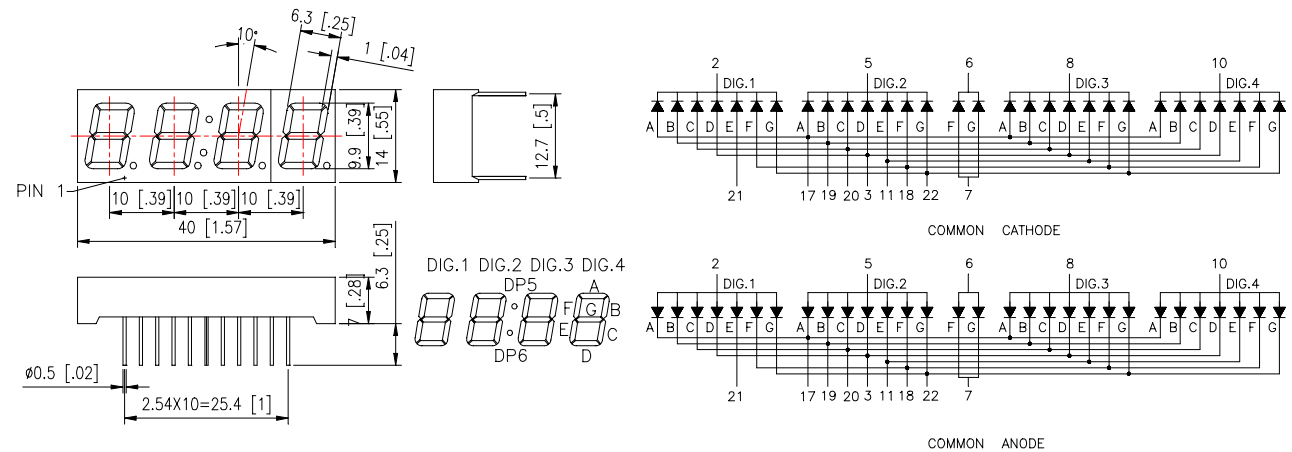
E27



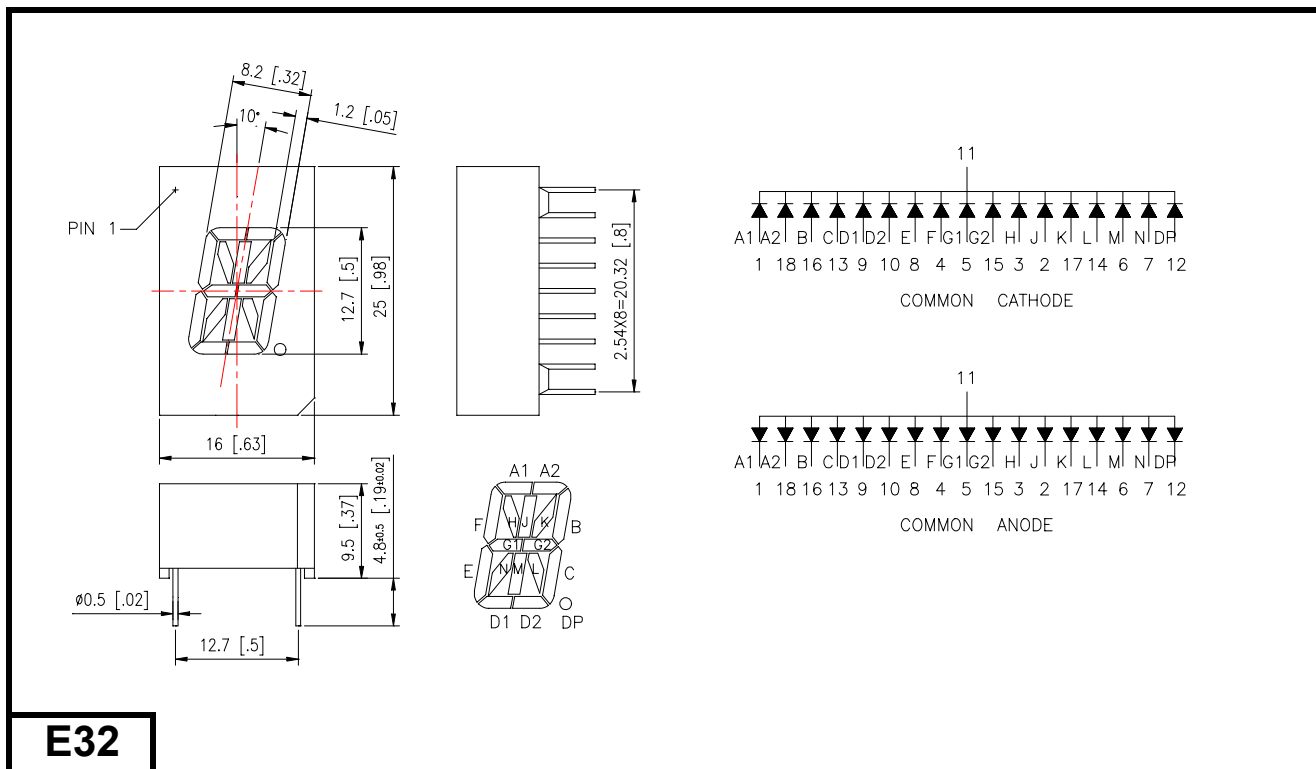
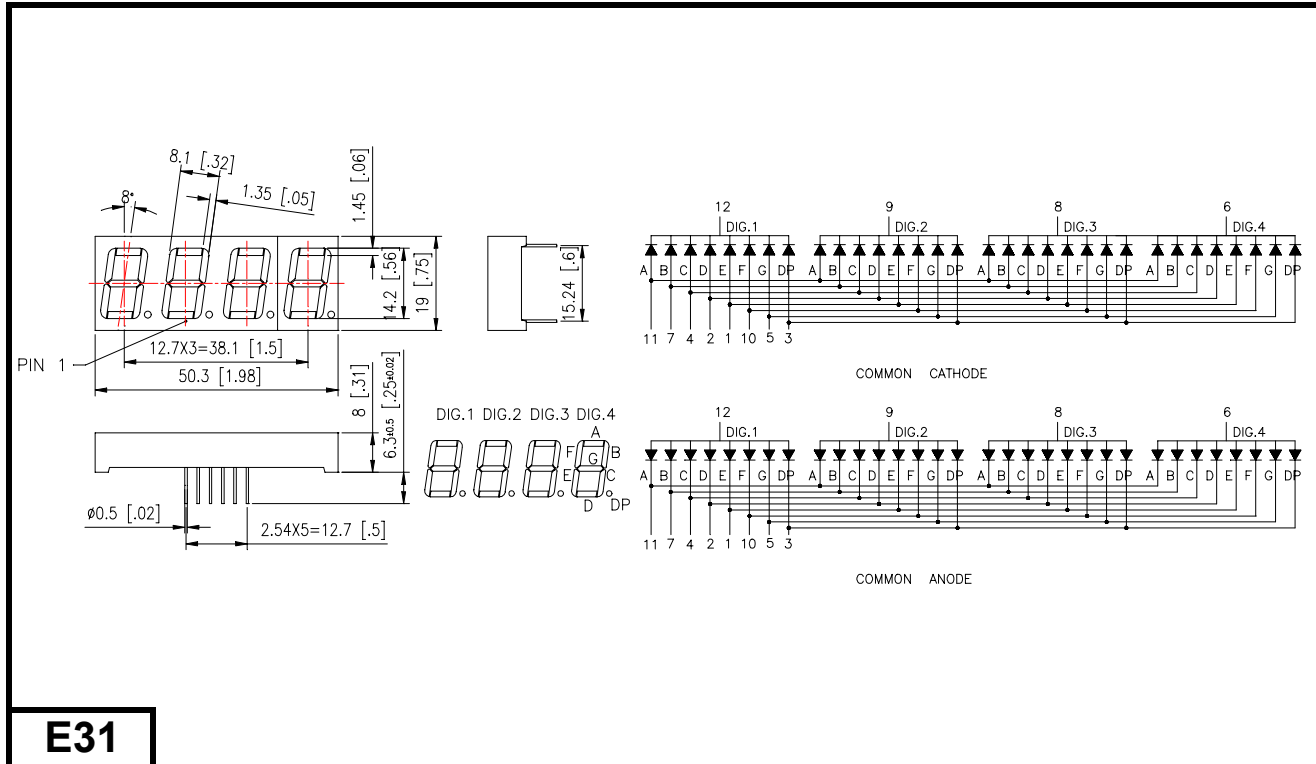
E28

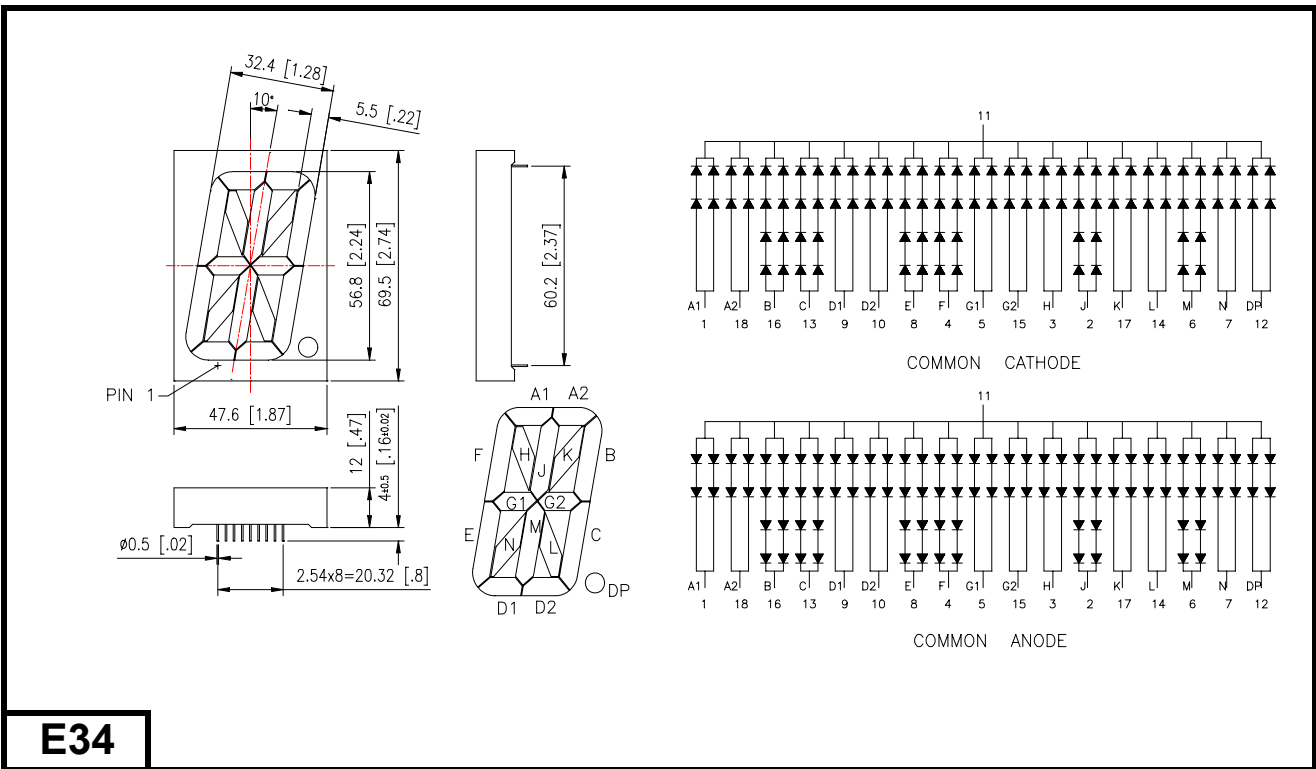
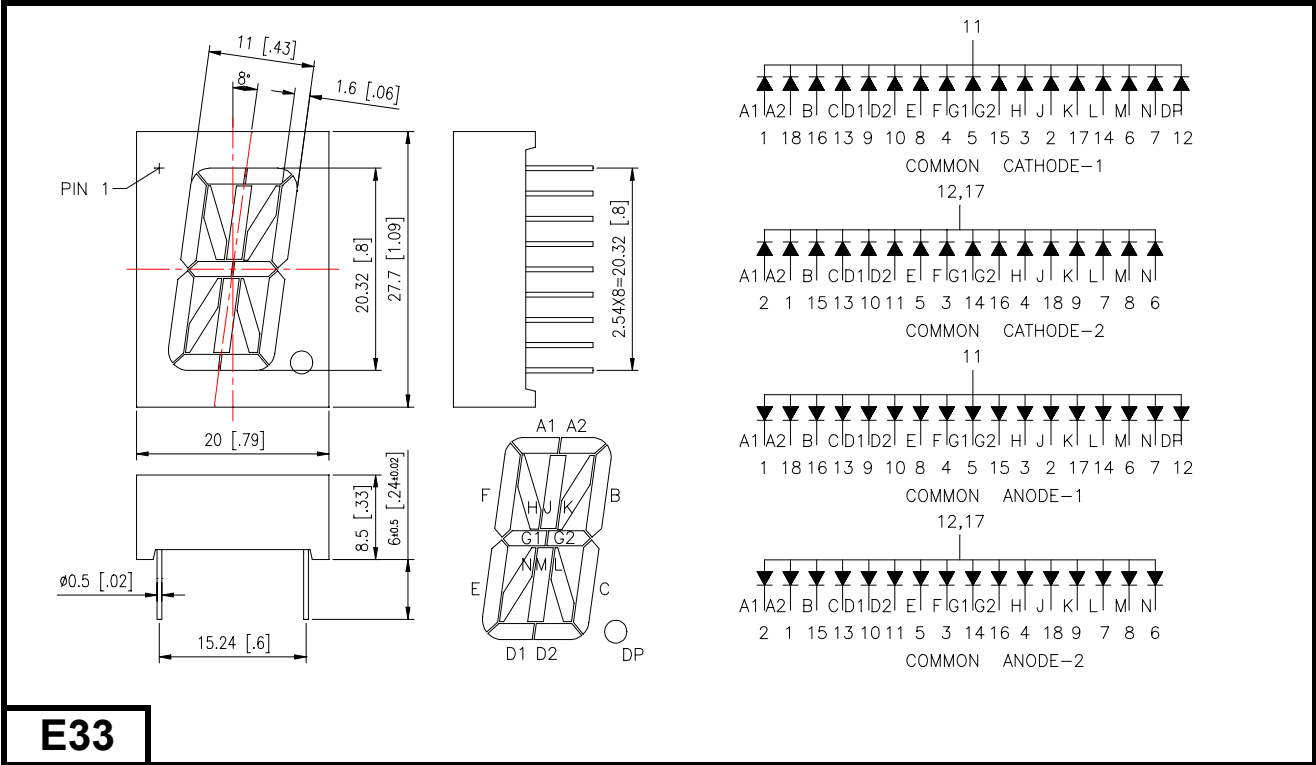


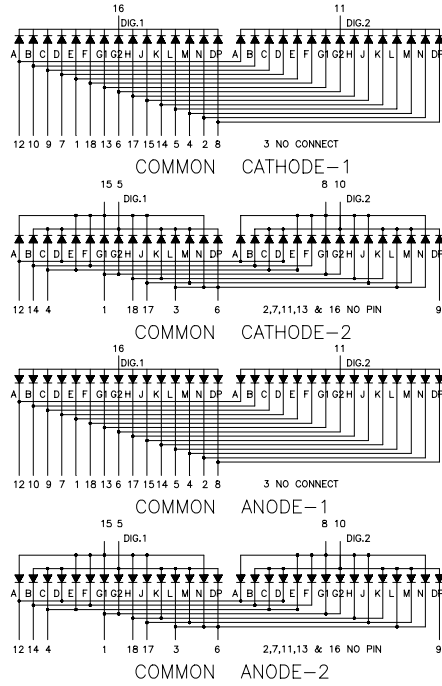
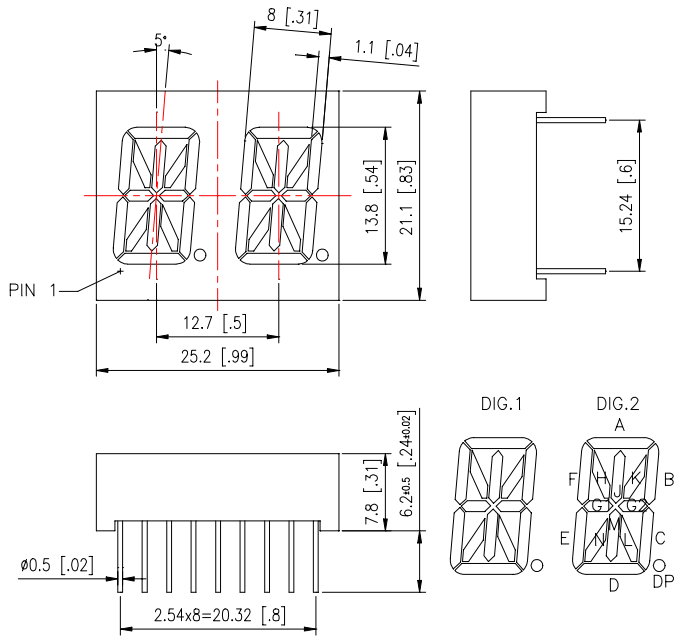
E29



E30

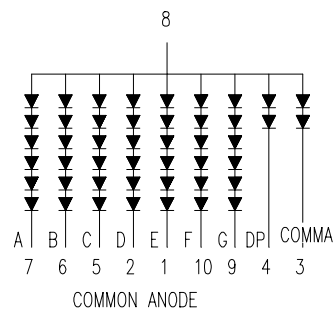
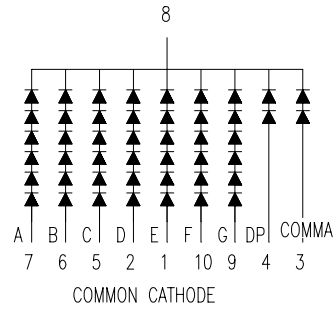
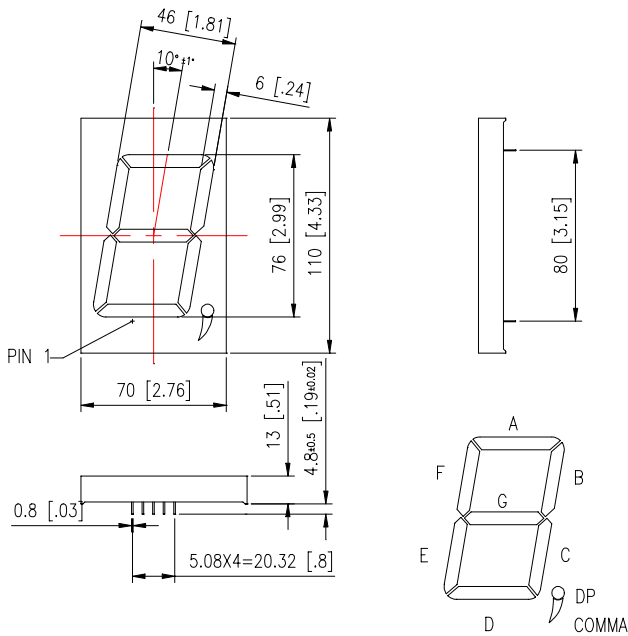




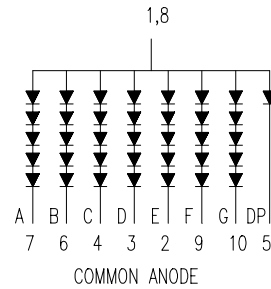
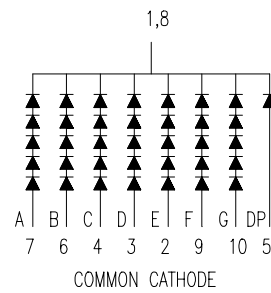
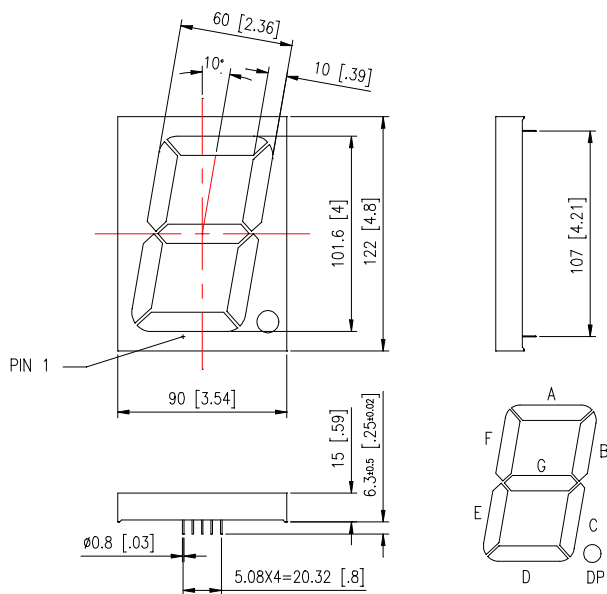


E35

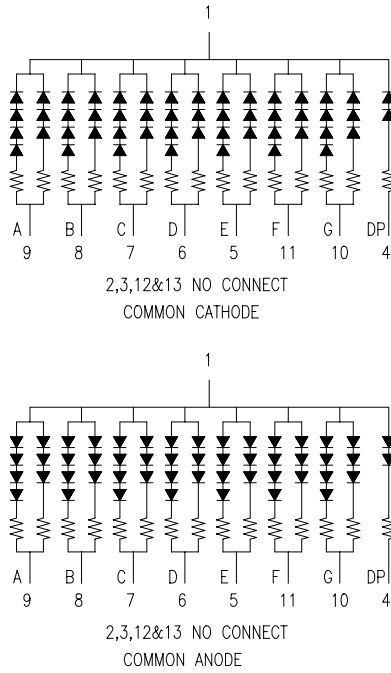
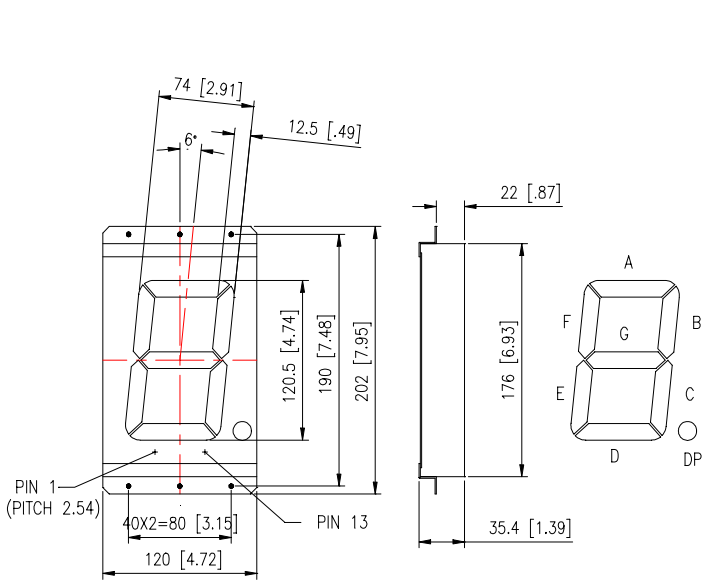
1300 SERIES



1400 SERIES



1470 SERIES



1700 SERIES

