

NEW

Snap-in Type

Series: **HD** Type: **TS**

■ Features

- Endurance : 105 °C 3000 h
- 30 % smaller than series TS-HC
- RoHS directive compliant

■ Country of origin

Malaysia

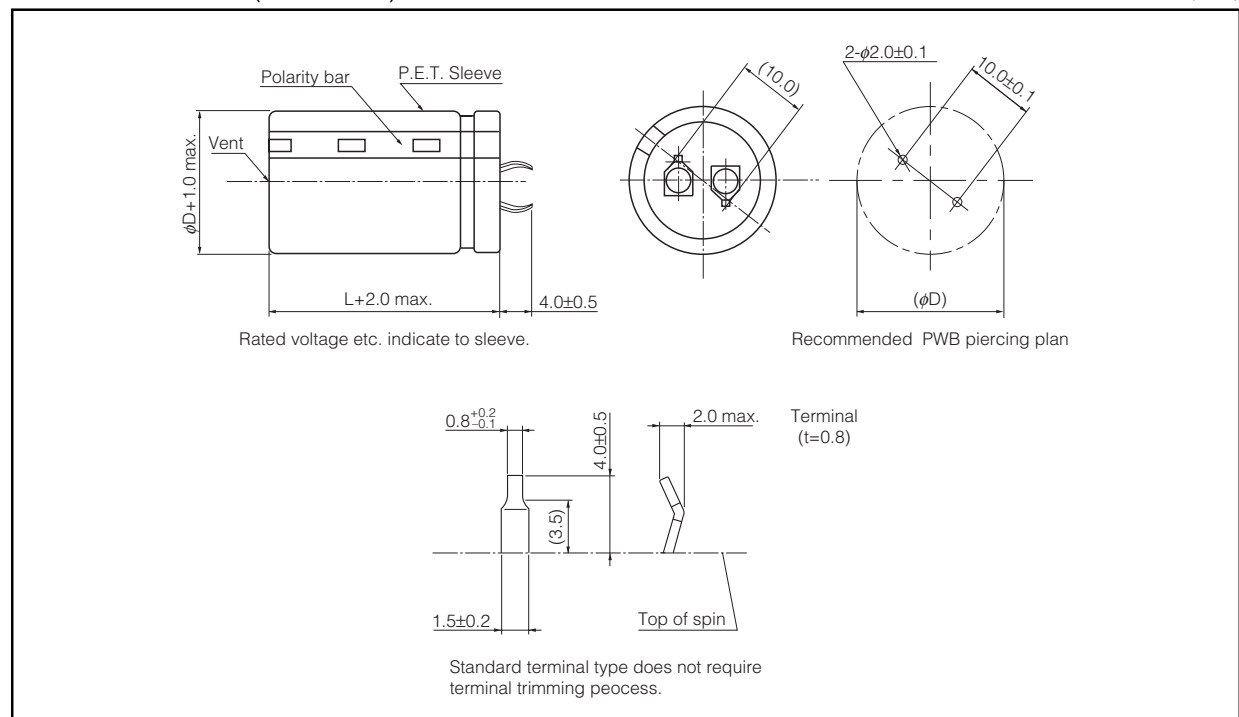


■ Specifications

Category Temp. Range	-25 °C to +105 °C							
Rated W.V. Range	400 V.DC to 450 V.DC							
Nominal Cap. Range	120 μF to 680 μF							
Capacitance Tolerance	±20 % (120 Hz/+20 °C)							
DC Leakage Current	3√CV (μA) max. After 5 minutes application of rated working voltage at +20 °C. C : Capacitance (μF) V: W.V. (V.DC)							
tan δ	Please see the attached standard products list							
Frequency Correction Factor for Ripple Current	Frequency (Hz)	50	60	100	120	500	1 k	10 k to
	Correction Factor	0.75	0.80	0.95	1.00	1.20	1.25	1.40
Endurance	After 3000 hours application of DC voltage with specified ripple current (≤ rated DC working voltage) at +105 °C, the capacitors shall meet the following limits.							
	Capacitance change	≤ ±20 % of initial measured value						
	tan δ	≤ 200 % of initial specified value						
	DC leakage current	≤ initial specified value						
Shelf Life	After storage for 1000 hours at +105 °C±20 °C within no voltage applied and then being stabilized at +20 °C, capacitors shall meet the limits specified in Endurance. (With voltage treatment)							

■ Dimensions in mm (not to scale)

(mm)



Design and specifications are each subject to change without notice. Ask factory for the current technical specifications before purchase and/or use.
Should a safety concern arise regarding this product, please be sure to contact us immediately.

00 Jan. 2010



■ Standard Products

W.V. (V. DC)	Cap. (120 Hz) (±20 %) (μF)	Case size		Part No. PET sleeve Terminal Length 4.0 mm (Without Top Plate)	Specification		Min. Packaging Q'ty (pcs)
		Dia. (mm)	Length (mm)		Ripple Current (120 Hz) (+105 °C) (A r.m.s.)	tan δ (120 Hz) (+20 °C) max.	
400	120	22	25	EETHD2G121HJ	0.75	0.15	200
	180	25	25	EETHD2G181JJ	0.95	0.15	200
	220	22	35	EETHD2G221HJ	1.10	0.15	200
		25	30	EETHD2G221JJ	1.10	0.15	200
	270	25	35	EETHD2G271JJ	1.22	0.15	200
		30	25	EETHD2G271KJ	1.22	0.15	200
	330	22	50	EETHD2G331HJ	1.44	0.15	200
		25	40	EETHD2G331JJ	1.44	0.15	200
		35	25	EETHD2G331LJ	1.44	0.15	200
	390	25	45	EETHD2G391JJ	1.55	0.15	200
		35	25	EETHD2G391LJ	1.55	0.15	200
	470	25	50	EETHD2G471JJ	1.68	0.15	200
		30	35	EETHD2G471KJ	1.68	0.15	100
		35	30	EETHD2G471LJ	1.68	0.15	200
	560	30	40	EETHD2G561KJ	1.90	0.15	100
		35	35	EETHD2G561LJ	1.90	0.15	100
	680	30	50	EETHD2G681KJ	2.12	0.15	100
		35	40	EETHD2G681LJ	2.12	0.15	100
420	120	22	25	EETHD2S121HJ	0.74	0.15	200
	150	22	30	EETHD2S151HJ	0.84	0.15	200
		25	25	EETHD2S151JJ	0.84	0.15	200
	180	22	35	EETHD2S181HJ	0.91	0.15	200
		25	30	EETHD2S181JJ	0.91	0.15	200
	220	22	40	EETHD2S221HJ	1.05	0.15	200
		25	35	EETHD2S221JJ	1.05	0.15	200
	270	22	50	EETHD2S271HJ	1.20	0.15	200
		25	40	EETHD2S271JJ	1.20	0.15	200
		30	30	EETHD2S271KJ	1.20	0.15	200
	330	35	25	EETHD2S271LJ	1.20	0.15	200
		25	45	EETHD2S331JJ	1.42	0.15	200
		30	35	EETHD2S331KJ	1.42	0.15	100
	390	25	50	EETHD2S391JJ	1.55	0.15	200
		30	40	EETHD2S391KJ	1.55	0.15	100
		35	30	EETHD2S391LJ	1.55	0.15	200
	470	30	45	EETHD2S471KJ	1.71	0.15	100
		35	35	EETHD2S471LJ	1.71	0.15	100
560	30	50	EETHD2S561KJ	1.90	0.15	100	
	35	40	EETHD2S561LJ	1.90	0.15	100	
450	120	22	30	EETHD2W121HJ	0.72	0.20	200
		25	25	EETHD2W121JJ	0.72	0.20	200
	180	22	35	EETHD2W181HJ	0.87	0.20	200
		25	30	EETHD2W181JJ	0.87	0.20	200
	220	22	45	EETHD2W221HJ	1.00	0.20	200
		25	35	EETHD2W221JJ	1.00	0.20	200
		30	25	EETHD2W221KJ	1.00	0.20	200
	270	22	50	EETHD2W271HJ	1.19	0.20	200
		25	40	EETHD2W271JJ	1.19	0.20	200
		30	30	EETHD2W271KJ	1.19	0.20	200
	330	35	25	EETHD2W271LJ	1.19	0.20	200
		25	45	EETHD2W331JJ	1.38	0.20	200
		30	35	EETHD2W331KJ	1.38	0.20	100
	390	30	40	EETHD2W391KJ	1.55	0.20	100
		35	30	EETHD2W391LJ	1.55	0.20	200
	470	30	45	EETHD2W471KJ	1.74	0.20	100
		35	35	EETHD2W471LJ	1.74	0.20	100
	560	30	50	EETHD2W561KJ	1.90	0.20	100
35		40	EETHD2W561LJ	1.90	0.20	100	

Endurance : 105 °C 3000 h, Terminal Pitch : 10 mm

Design and specifications are each subject to change without notice. Ask factory for the current technical specifications before purchase and/or use.
Should a safety concern arise regarding this product, please be sure to contact us immediately.

00 Jan. 2010