

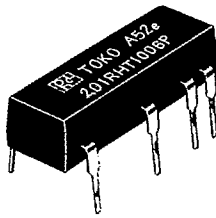
TOKO AMERICA INC

54E D ■ 9067632 0002175 758 ■ TAI

■ RHT

FEATURES

T-47-13

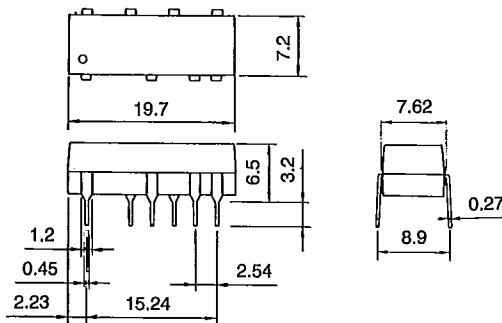


- Built-in TTL logic element (equivalent to a 74S04).
- Transfer-molded for high reliability.
- DIP package permits automatic insertion.
- Accurate control of leading edge (T_{PLH}) and trailing edge (T_{PHL}).

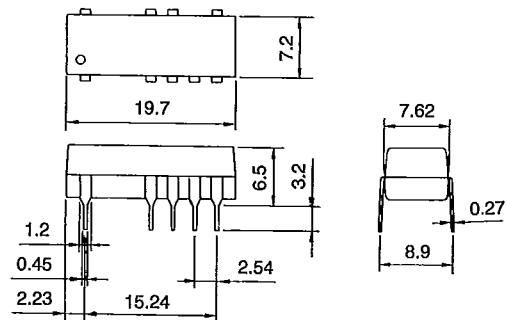
DIMENSIONS

(Unit: mm)

P pin layout

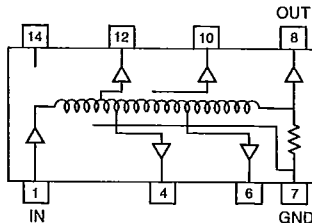


L pin layout

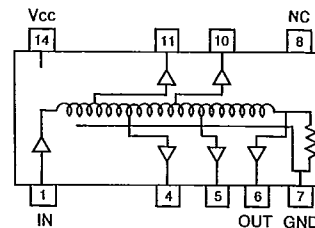


CONNECTIONS

P Internal wiring



L Internal wiring



ELECTRICAL CHARACTERISTICS

$V_{CC} = 5 \pm 0.01V$, $T_a = +25^\circ C \pm 2^\circ C$, All values without load.

Part Number	Total Delay (ns) T_{PLH} , T_{PHL}	Delay per Tap (ns)	Rise Time (ns) max.
201RHT2007 □	$20 \pm 2ns$	4 ± 2	4
201RHT2507 □	$25 \pm 2ns$	5 ± 2	4
201RHT5007 □	$50 \pm 5\%$	10 ± 2	4
201RHT7507 □	$75 \pm 5\%$	15 ± 2	4
201RHT1006 □	$100 \pm 5\%$	20 ± 2	4
201RHT1506 □	$150 \pm 5\%$	30 ± 3	4
201RHT2006 □	$200 \pm 5\%$	40 ± 4	4
201RHT2506 □	$250 \pm 5\%$	50 ± 5	4

Note: Blank box in part number will contain a P or a L to indicate pin layout.

GENERAL DATA

- Operating Temperature : 0 to $+70^\circ C$
- Storage Temperature : -55 to $+125^\circ C$