

TERMINATIONS

TYPE N

DC - 18 GHz

2 Watts



MODELS: 3018, 3018C, 3033, 3033C,

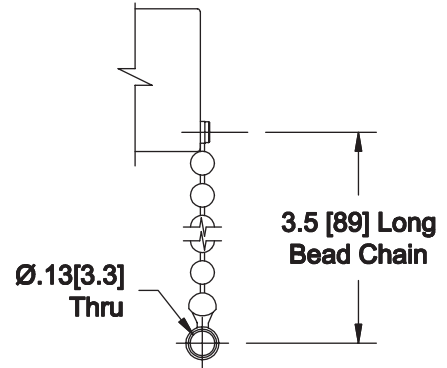
SPECIFICATIONS:

Electrical:

Frequency Range _____	DC - 18 GHz
VSWR	
DC - 8 GHz _____	1.15:1 Max.
8 - 12.4 GHz _____	1.20:1 Max.
12.4 - 18 GHz _____	1.30:1 Max.
Impedance _____	50 Ohms
Input Power _____	2 Watts Avg. @ +25°C
	<small>Derated Linearly to 1 Watt @ +125°C</small>
Peak Power _____	2.5 kW Max.
	<small>(5uSec Pulse, .05% Duty Cycle)</small>
Temperature Coefficient _____	±250 ppm/°C
Operating Temp Range _____	-65°C to +125°C

Mechanical:

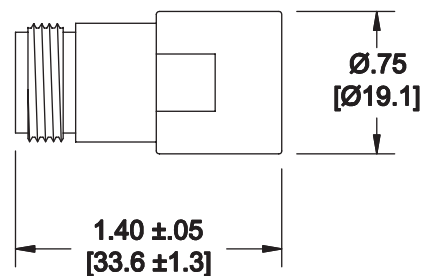
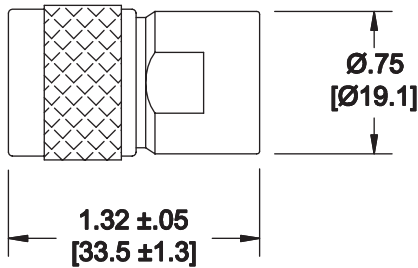
Type N Connectors _____	Nickel Plated Brass
	<small>Mates with MIL-STD-348</small>
Conductors _____	Silver Plated Beryllium Copper
Bead Chain _____	Passivated Stainless Steel



CHAIN DETAIL

Model Numbers: **3018**
Type N Male Connector

Model Numbers: **3033**
Type N Female Connector



HOW TO ORDER:

Model Number: **30XXY**

Base Model Number	Style
3018 = Male	= No Chain
3033 = Female	C = Chain Included

Ordering Examples:

- Model Number: **3018C**
DC - 18 GHz; Type N Male; Chain Included
- Model Number: **3033**
DC - 18 GHz; Type N Female; No Chain
- Model Number: **3018**
DC - 18 GHz; Type N Male; No Chain

Note: Dimensions in Brackets are Expressed in Millimeters and are for Reference Only.
Units which operate over a specific wave band and/or offer very low return loss (VSWR) are available.

3018; REV E