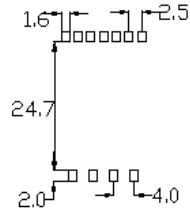
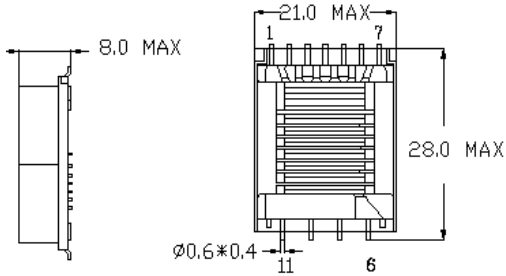


# CCFL Driving Inverter Transformer

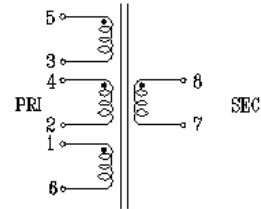
## INT001S TYPE (EFD20CL)

Mechanical Dimension:Unit:mm



Recommand Pad

Schematic:

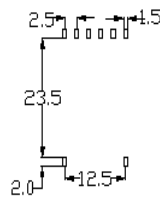
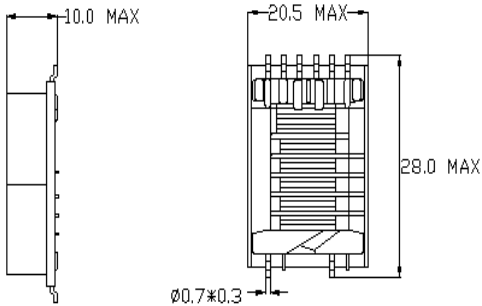


Characteristic(reference)

PART NO.	INPUTVOLTAGE (Vdc)	SUITABLE FREQUENCY (KHZ)	MAX. LAMP WATTE (W)	MAX. OPEN VOLTAGE (Vrms)	EFFICIENCY (%)
INT001S-1	16.0	30-80	13.0	2000	80-85

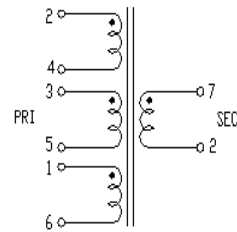
## INT002S TYPE (EFD20)

Mechanical Dimension:Unit:mm



Recommand Pad

2. Schematic:



Characteristic(reference)

PART NO.	INPUTVOLTAGE (Vdc)	SUITABLE FREQUENCY (KHZ)	MAX. LAMP WATTE (W)	MAX. OPEN VOLTAGE (Vrms)	EFFICIENCY (%)
INT002S-1	12.0	30-80	10.5	1500	80



沙井欣旺电子有限公司

XINWANG ELECTRONICS, INC. [HTTP://:WWW.XINWANGELE.COM](http://www.xinwangele.com)  
 TEL: 0755-29696626 FAX: 0755-27289711  
 E-mail: sales@xinwangele.com