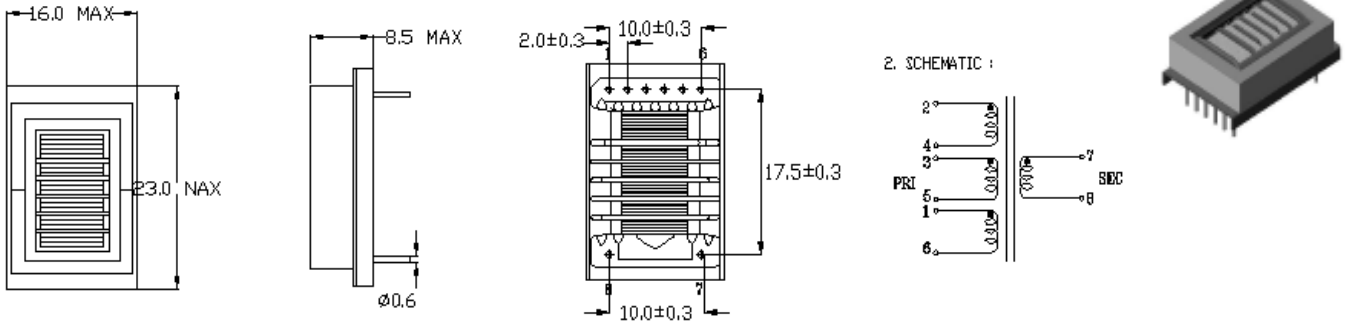


CCFL Driving Inverter Transformer

INT009T TYPE (EFD14.8)

Mechanical Dimension:Unit:mm

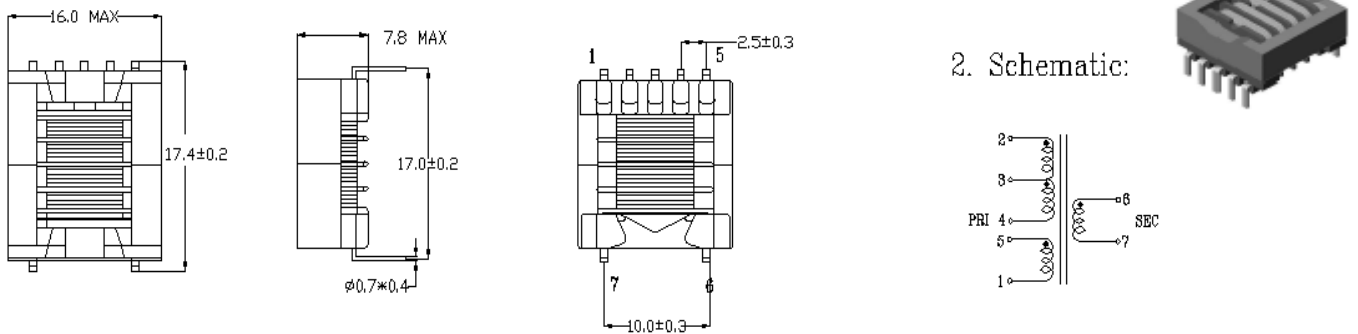


Characteristic(reference)

PART NO.	INPUTVOLTAGE (Vdc)	SUITABLE FREQUENCY (KHZ)	MAX. LAMP WATTE (W)	MAX. OPEN VOLTAGE (Vrms)	EFFICIENCY (%)
INT009T-1	12.0	30-80	18.0	1500	80-85

INT010T TYPE (EFD15)

Mechanical Dimension:Unit:mm



Characteristic(reference)

PART NO.	INPUTVOLTAGE (Vdc)	SUITABLE FREQUENCY (KHZ)	MAX. LAMP WATTE (W)	MAX. OPEN VOLTAGE (Vrms)	EFFICIENCY (%)
INT010T-1	11.0	30-80	6.0	1200	82-88



沙井欣旺电子有限公司

XINWANG ELECTRONICS, INC. [HTTP://:WWW.XINWANGELE.COM](http://www.xinwangele.com)
 TEL: 0755-29696626 FAX: 0755-27289711
 E-mail: sales@xinwangele.com