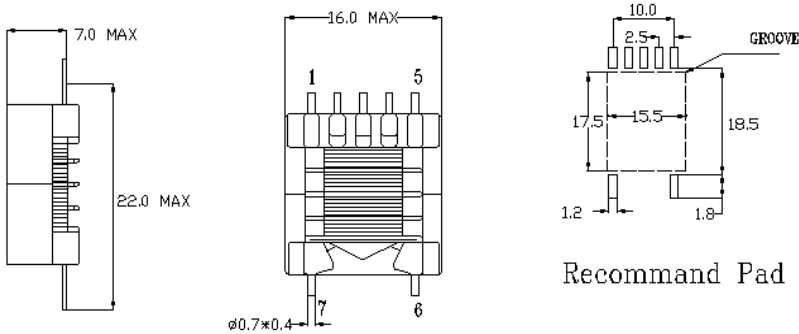


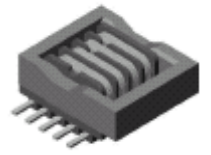
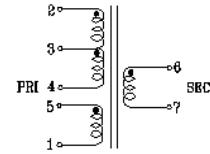
CCFL Driving Inverter Transformer

INT021S TYPE (EFD15)

Mechanical Dimension:Unit:mm



2. SCHEMATIC :



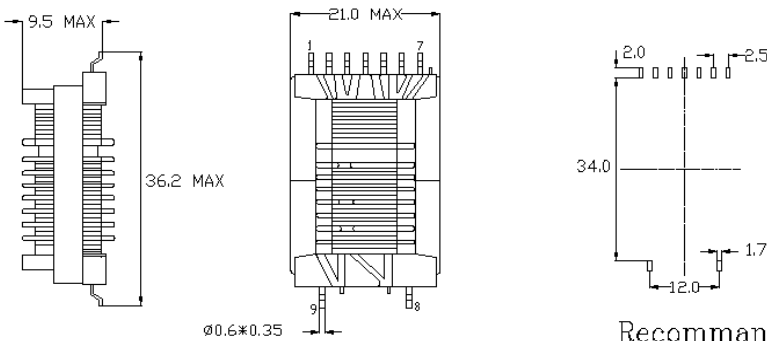
Recommant Pad

Characteristic(reference)

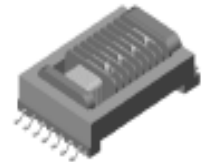
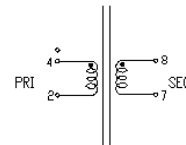
PART NO.	INPUTVOLTAGE (Vdc)	SUITABLE FREQUENCY (KHZ)	MAX. LAMP WATTE (W)	MAX. OPEN VOLTAGE (Vrms)	EFFICIENCY (%)
INT021S-1	12.0	30-80	7.0	1200	80

INT022S TYPE (EEL19)

Mechanical Dimension:Unit:mm



Schematic:



Recommant Pad

Characteristic(reference)

PART NO.	INPUTVOLTAGE (Vdc)	SUITABLE FREQUENCY (KHZ)	MAX. LAMP WATTE (W)	MAX. OPEN VOLTAGE (Vrms)	EFFICIENCY (%)
INT022s-1	18.0	30-200	15.0	1800	85



沙井欣旺电子有限公司

XINWANG ELECTRONICS, INC. [HTTP://:WWW.XINWANGELE.COM](http://www.xinwangele.com)
 TEL: 0755-29696626 FAX: 0755-27289711
 E-mail: sales@xinwangele.com