

Commercial 3/4" (19mm) Diameter, 1 1/2 and 2 Watt Wirewound Variable Resistors

Features

- Inexpensive design
- Open construction
- Four mounting styles
- Incorporated fixed resistor available
- Available with nylon knob
- Interchangeable mounting with CTS Series 115 preset potentiometer
- RoHS compliant



Electrical and Mechanical Specifications

Resistance Range

1 ohm through 10K ohms (linear taper)

Resistance Tolerance

Standard: ±20%

Special: ±5% or 10%

Power Rating, Watts

2 watts @ 55°C derated to no load @ 105°C,
mounted on steel panel

1.5 watts @ 55°C derated to no load @ 105°C,
mounted on bakelite panel

Voltage Rating

Determined by resistance value and wattage rating

Resistance Taper

Standard: Linear taper only

Minimum Resistance

At ends of rotation: 1% or 1 ohm, whichever is greater

Resistance Taper

None

Incorporated Fixed Resistor

A fixed resistor can be incorporated in the Series 110 at the end of CW or CCW rotation to a minimum of 10% of the total resistance. The rotation is shortened by an amount proportional to the ratio of the fixed resistor to the total resistance. Available at extra cost.

Angle of Rotation

246° ± 5° without fixed resistor stop

Resistor Adjustment

Standard Cross Slot: Provided in drive plate for screwdriver adjustment.

Special Molded Knob: Available at extra cost secured to drive plate cross slot.

Mounting Types Available

Type 110: Solder or clinch-ear mounted

Type XPC - 110: Vertically mounted on printed circuit board

Type 111: Snap-in mounting

Type 112: Eyelet or rivet mounting

Rotational Torque

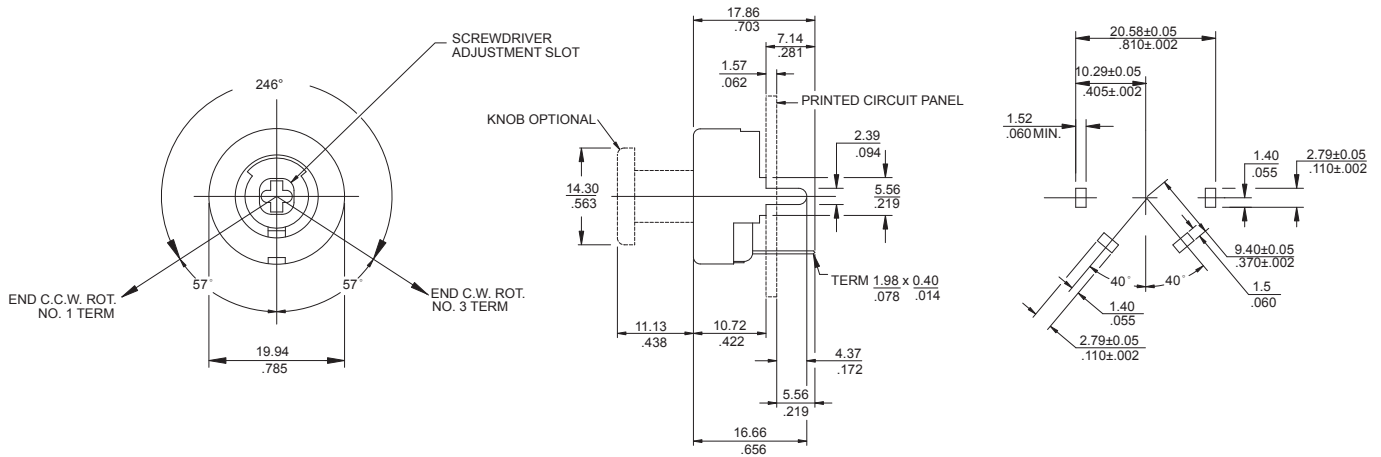
1/2 to 10 inch ounces (36 – 720 gf-cm)

Terminals

Terminals at end of CW or CCW rotation may be omitted.

Refer to terminals on all types by numbers 1 and 3 as indicated on line drawings.

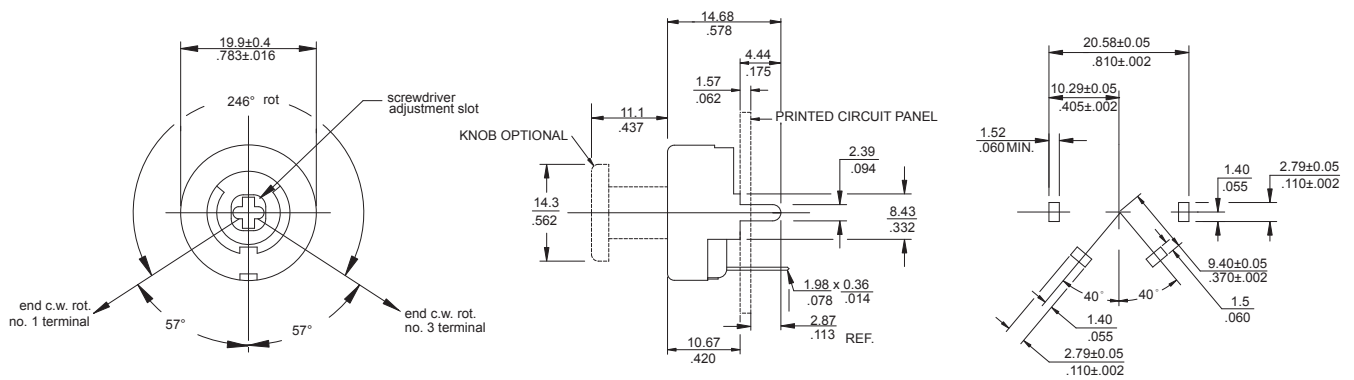
Type 110, Solder or Clinch-Ear Mounted, Long Terminal Length



U - Long Terminal Length

DIMENSION: $\frac{\text{mm}}{\text{INCH}}$

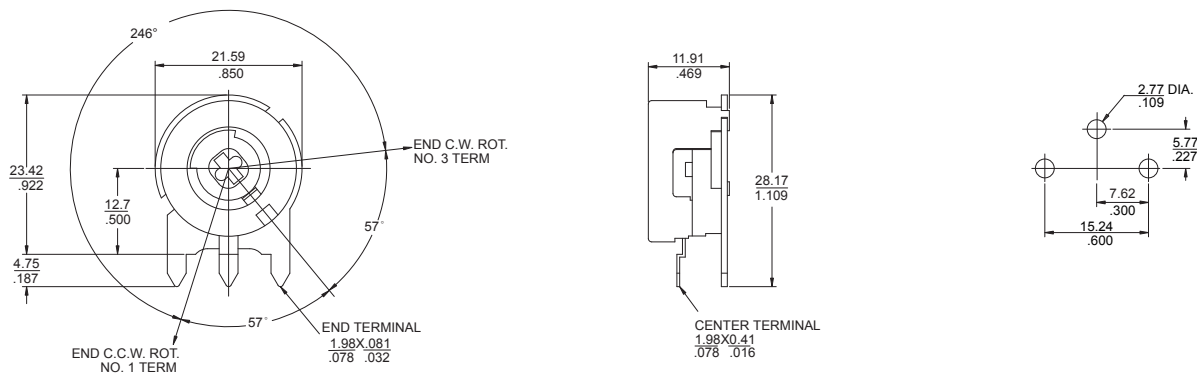
TYPE M110, Solder Mounted, Medium Terminal Length



M - Medium Terminal Length

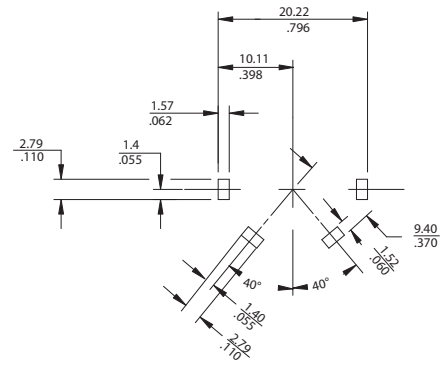
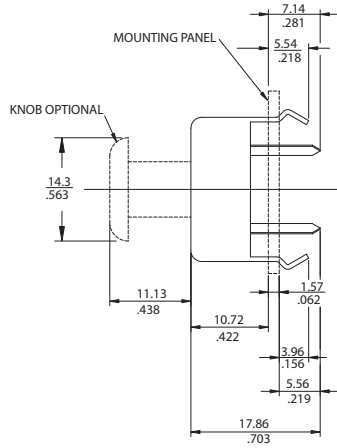
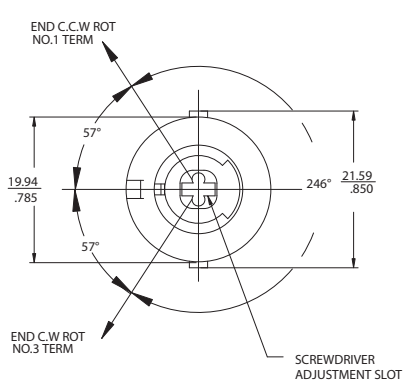
DIMENSION: $\frac{\text{mm}}{\text{INCH}}$

TYPE XPC110, Vertically Mounted



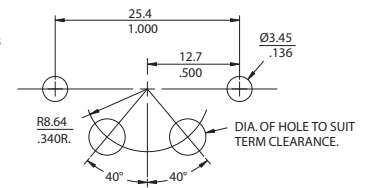
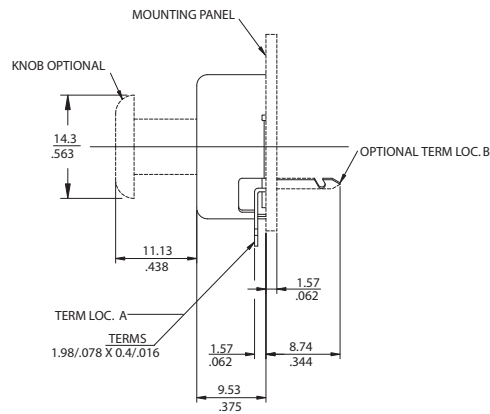
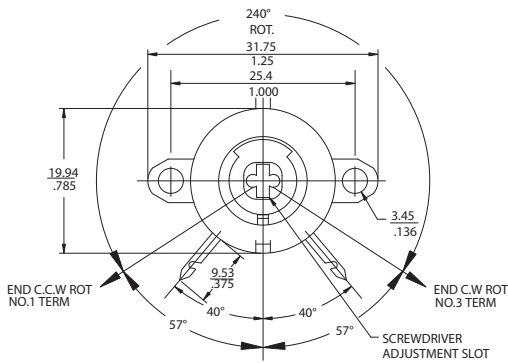
DIMENSION: $\frac{\text{mm}}{\text{INCH}}$

Type 111, Snap-In Mounted



DIMENSION: $\frac{\text{mm}}{\text{INCH}}$

Type 112, Eyelet or Rivet Mounted



DIMENSION: $\frac{\text{mm}}{\text{INCH}}$

Ordering Information

