

1 Watt 1100 Series DC-DC Regulated Converters



Specifications

Input:

Voltage (see chart for selection).
Reverse polarity protected to 100VDC
(except on 5V and 6V input models).

Output:

Voltage and Current: (see chart for selection).

Voltage Set Point: Factory set within 0.5% of selected output.

Regulation:

Line (Low to High): 0.1% max.
Load (NL-FL): 0.2% max.
Temperature: 0.007%/°C typ.
0.015%/°C max.

Ripple:

V (Peak to Peak) less than 1.0% of rated output voltage.

Frequency 40KHz ±20%

Polarity:

All outputs may be used as either positive or negative supplies.

Protection:

Overload and short circuit by current limiting

Isolation:

Input to output 300VDC
Output to output 100VDC

Efficiency:

40% typ. at full load under nominal conditions

Environmental

Operating temp.: -20°C to +85°C baseplate.

Storage temp.: -55°C to +105°C

Case rise: 20°C at full load in free air

Mechanical:

Terminals: P.C. type
Case: glass-filled diallyl phthalate with aluminum heat plate
Encapsulation: Epoxy
Weight: 2 oz. typ.

EMI:

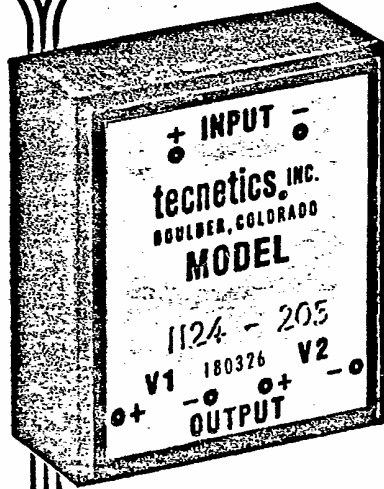
Input filter reduces reflected powerline ripple.

MTBF:

Value dependent upon environment and component certification.

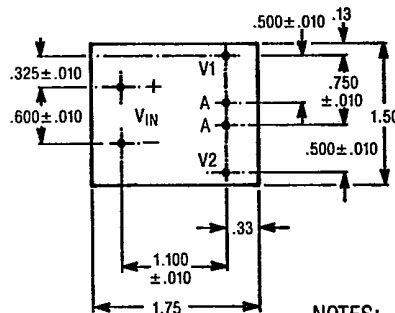
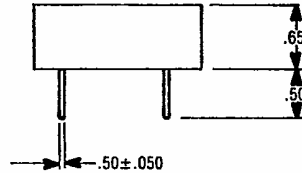
Part Number:

11 XX - X XX
Series Vout No Out Vin



Features

- Excellent line, load and temperature regulation
- Output protected by current limiting
- Input filters reduce conducted EMI
- Dual output voltages available
- High performance in an economical, small package



NOTES:

1. UNLESS OTHERWISE SPECIFIED ALL DIMENSIONS ARE ±0.020.
2. PINS "A" ARE NOT USED ON SINGLE OUTPUT MODELS.

Model	Output Volts (VDC) Nom.		Output Current (mA) Nom.		Input Voltage (VDC)					
					5 ± .5	6 ± 1	12 ± 2	24 ± 4	28 ± 4	48 ± 6
1103	3.6		278		-105	-106	-112	-124	-128	-148
1105	5		200							
1106	6		167							
1107	7		143							
1108	8		125							
1109	9		112							
1110	10		100							
1112	12		84							
1115	15		67							
1118	18		56							
1120	20		50							
1124	24		42		-105	-106	-112	-124	-128	-148
	V1	V2	I1	I2						
1110	10	10	50	50	-205	-206	-212	-224	-228	-248
1112	12	12	42	42						
1115	15	15	34	34						
1118	18	18	28	28						
1120	20	20	25	25						
1124	24	24	21	21	-205	-206	-212	-224	-228	-248



6287 Arapahoe Ave. / P.O. Box 910 / Boulder, Colorado 80306

TEL: 303 440 0010 FAX: 303 440 0011