



EVERLIGHT ELECTRONICS CO.,LTD.

Device Number : CDD-110-016 REV: 1

20.0mm Round Big LED Lamp

PART NO. : 1100YD/R1 ECN : _____ Page: 1/5

■ Features :

- Graphic stacking allow-able.
- High luminous intensity.
- Solid state reliability.

■ Applications;

- Audio equipment
- Instrument panels
- Digital read out display

■ Descriptions :

- The EL-1100 series consists of 20.0mm diameter big lamps.design for viewing distances up to 7 meters.
- There are separate anodes and cathodes for each light segment and choice of five colors is offered.
- These device are available with yellow offering a wide possibility in design.

PART NO	Chip	
	Material	Emitted Color
1100YD/R1	GaAsP/GaP	Yellow

OFFICE : NO. 25,Lane 76,Sec.3, Chung Yang Rd., Tucheng 236, Taipei, Taiwan, R.O.C.

TEL : 886-2-2267-2000,2267-9936

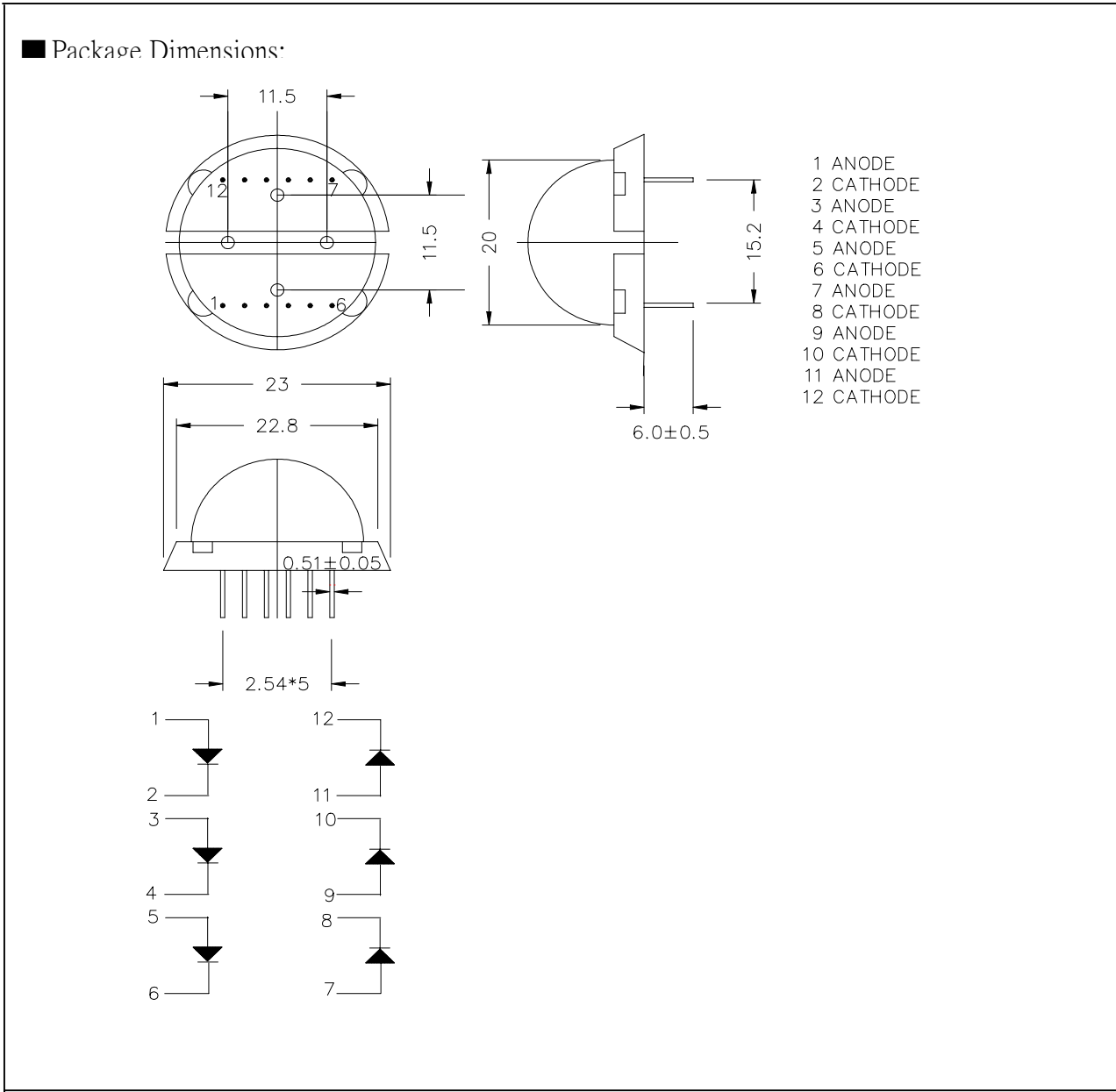
FAX : 886-2-2267-6244,22676189,22676306

<http://www.everlight.com>

T01835 B90560586



20.0mm Round Big LED Lamp



■ Notes:

- 1.All dimensions are in millimeters ,tolerance is 0.25mm unless otherwise noted.
- 2.Above specification may be changed without notice.
Supplier will reserve authority on material change for above specification.



Device Number : CDD-110-016

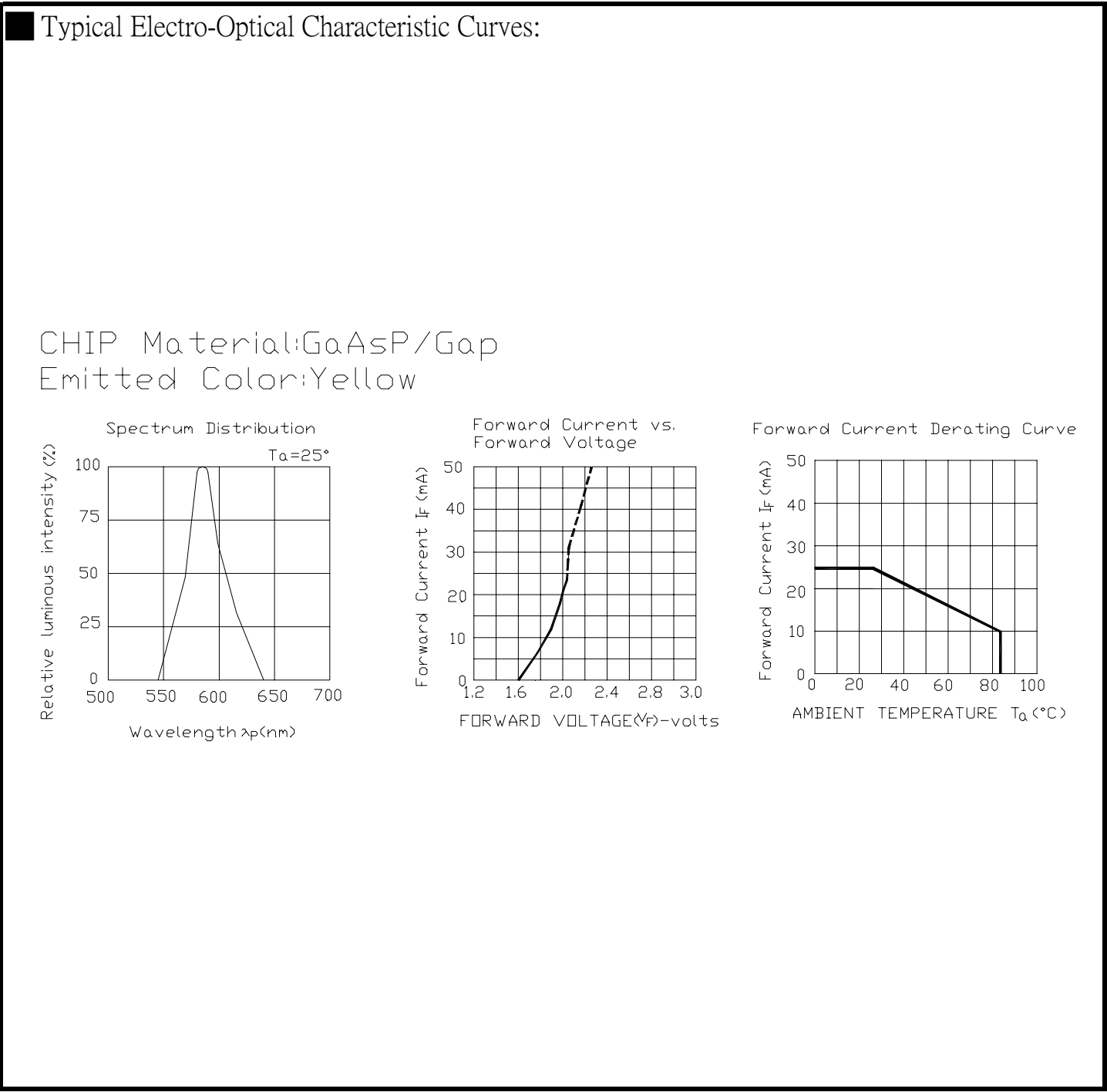
REV: 1

20.0mm Round Big LED Lamp

PART NO. : 1100YD/R1

ECN :

Page: 4/5





EVERLIGHT ELECTRONICS CO.,LTD.

Device Number : CDD-110-016REV: 1

20.0mm Round Big LED Lamp

PART NO. : 1100YD/R1ECN : Page: 5/5**Reliability test items and conditions:**

NO	Item	Test Conditions	Test Hours/Cycle	Sample Size	Ac/Re
1	Solder Heat	TEMP : 260°C ± 5 °C	5 SEC	76 PCS	0/1
2	Temperature Cycle	H : +85°C 30min ∫ 5 min L : -55°C 30min	50 CYCLE	76 PCS	0/1
3	Thermal Shock	H : +100°C 5min ∫ 10 sec L : -10°C 5min	50 CYCLE	76 PCS	0/1
4	High Temperature Storage	TEMP : 100°C	1000 HRS	76 PCS	0/1
5	Low Temperature Storage	TEMP : -55°C	1000 HRS	76 PCS	0/1
6	DC Operating Life	IF = 10 mA	1000 HRS	76 PCS	0/1
7	High Temperature / High Humidity	85°C/85% RH	1000 HRS	76 PCS	0/1