

M50754-XXXSP/FP/GP, M50954-XXXSP/FP/GP, M50955-XXXSP/FP/GP

SINGLE-CHIP 8-BIT CMOS MICROCOMPUTER

DESCRIPTION

The M50754-XXXSP, M50954-XXXSP and the M50955-XXXSP are single-chip microcomputers designed with CMOS silicon gate technology. All are housed in a 64-pin shrink plastic molded DIP (flat package type also available). These single-chip microcomputers are useful for business equipment and other consumer applications.

In addition to their simple instruction sets, the ROM, RAM, and I/O addresses are placed on the same memory map to enable easy programming.

The differences among the M50754-XXXSP, M50954-XXXSP and the M50955-XXXSP are noted below. The following explanations apply to the M50754-XXXSP. Specification variations for other chips are noted accordingly.

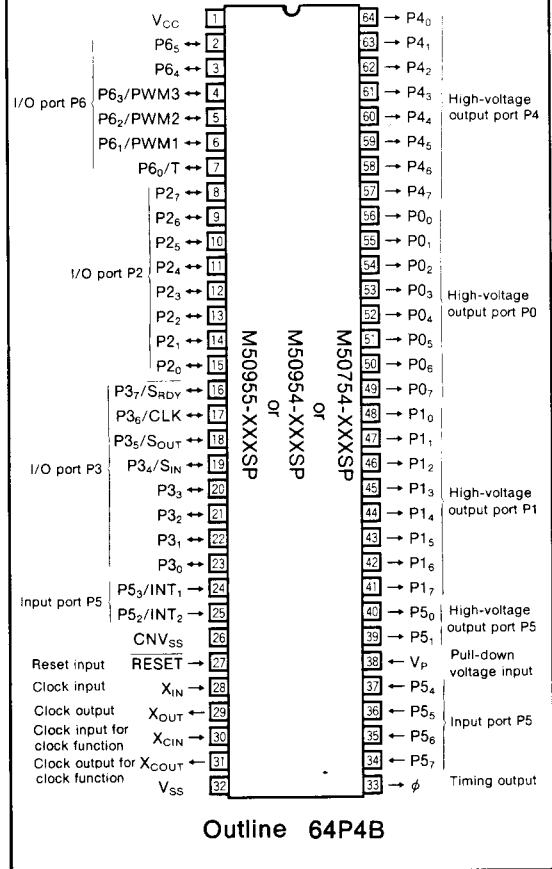
Type name	ROM size	RAM size
M50754-XXXSP	6144bytes	160bytes
M50954-XXXSP	8192bytes	192bytes
M50955-XXXSP	10240bytes	192bytes

The differences between the M50754-XXXSP and the M50754-XXXFP are the package outline and power dissipation ability (absolute maximum ratings). And the differences between the M50754-XXXFP and the M50754-XXXGP are only the package outline.

DISTINCTIVE FEATURES

- Number of basic instructions..... 69
- Memory size ROM6144 bytes (M50754-XXXSP)
8192 bytes (M50954-XXXSP)
10240 bytes (M50955-XXXSP)
- RAM 160 bytes (M50754-XXXSP)
192 bytes (M50954-XXXSP,
M50955-XXXSP)
- Instruction execution time
1.9μs (minimum instructions, at 4.2MHz frequency)
- Single power supply 4.0~5.5V (at f(X_{IN})=4.2MHz)
3.0~5.5V (below f(X_{IN})=1.0MHz)
- Power dissipation
normal operation mode, at 4MHz frequency..... 15mW
low speed operation mode,
at 32kHz frequency for clock function 0.3mW
- Subroutine nesting ... 80 levels (max.) (M50754-XXXSP)
96 levels (max.) (M50954-XXXSP,
M50955-XXXSP)
- Interrupt.....7 types, 5 vectors
- 8-bit timer.....3 (2 when used as serial I/O)
- Programmable I/O (Ports P2, P3, P6)..... 22
- Input ports (Port P5₂~P5₇)..... 6
- High-voltage output ports
(Ports P0, P1, P4, P5₀, P5₁)..... 26
- Serial I/O (8-bit)..... 1
- PWM function 14-bitX1
6-bitX2

PIN CONFIGURATION (TOP VIEW)



- Two clock generator circuits (One is for main clock, the other is for clock function)
- Generating function for clock input of EAROM

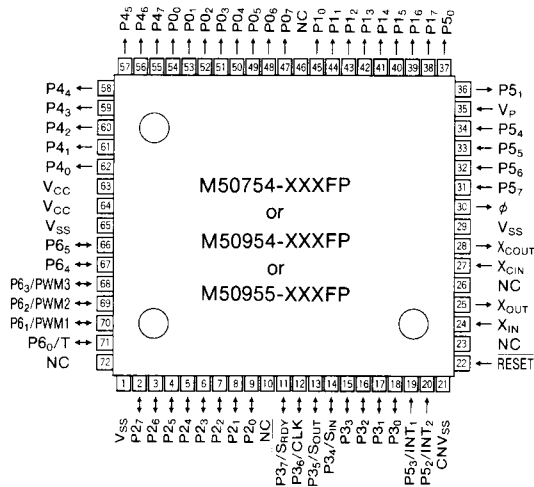
APPLICATION

Office automation equipment
VCR, Tuner, Audio-visual equipment

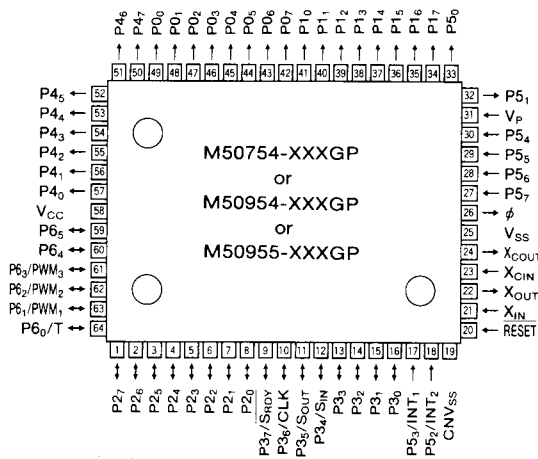
MITSUBISHI MICROCOMPUTERS
M50754-XXXSP/FP/GP, M50954-XXXSP/FP/GP,
M50955-XXXSP/FP/GP

SINGLE-CHIP 8-BIT CMOS MICROCOMPUTER

PIN CONFIGURATION (TOP VIEW)



Outline 72P6

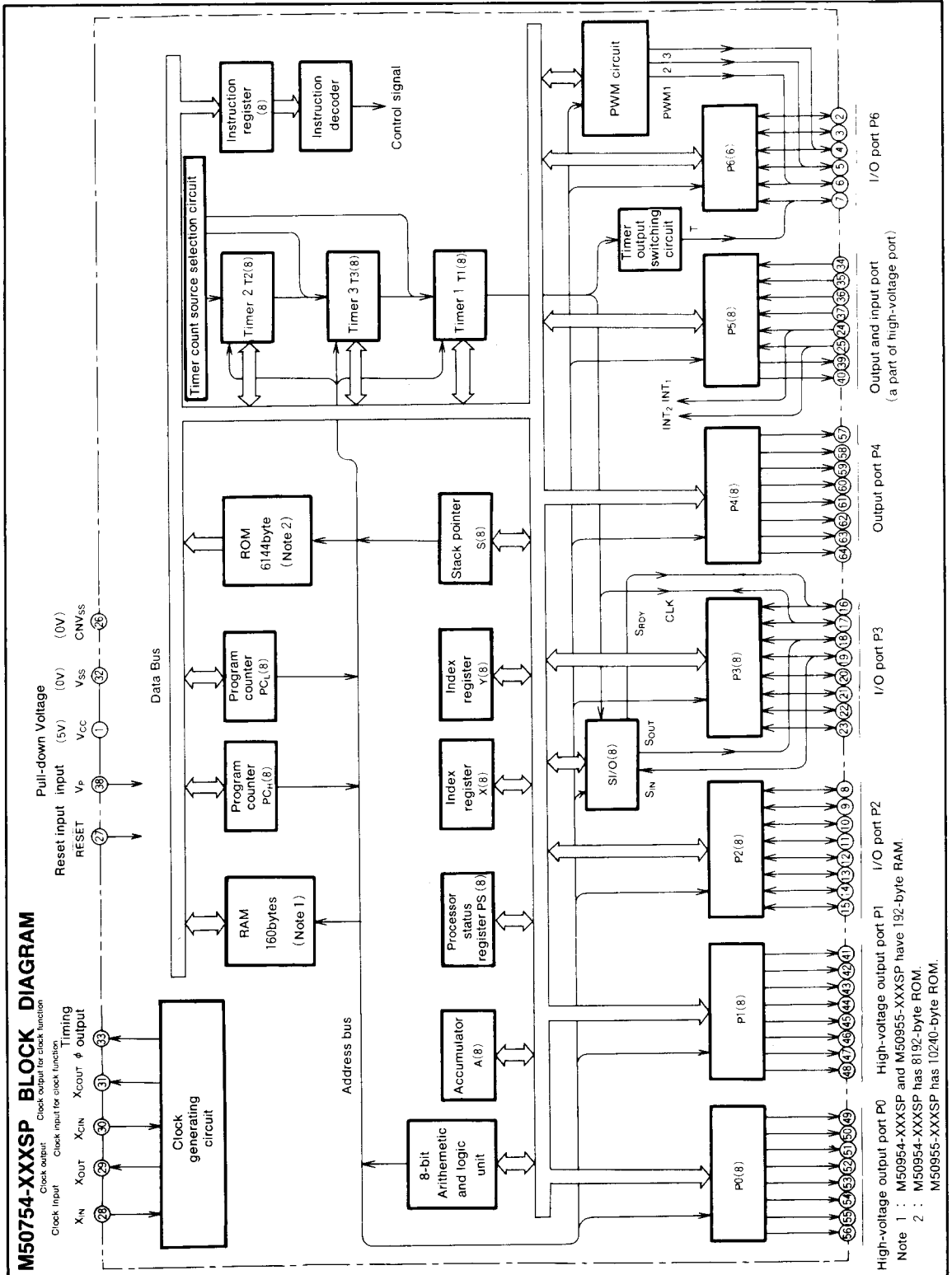


Outline 64P6W

NC : No connection

**M50754-XXXSP/FP/GP, M50954-XXXSP/FP/GP,
M50955-XXXSP/FP/GP**

SINGLE-CHIP 8-BIT CMOS MICROCOMPUTER



M50754-XXXSP/FP/GP, M50954-XXXSP/FP/GP, M50955-XXXSP/FP/GP

SINGLE-CHIP 8-BIT CMOS MICROCOMPUTER

FUNCTIONS OF M50754-XXXSP

Parameter		Functions	
Number of basic instructions		69	
Instruction execution time		1.9 μ s (minimum instructions, at 4.2MHz frequency)	
Clock frequency		4.2MHz	
Memory size	ROM	6144bytes (8192bytes for M50954-XXXSP, 10240 bytes for M50955-XXXSP)	
	RAM	160bytes (192bytes for M50954-XXXSP and M50955-XXXSP)	
Input/Output ports	P0, P1, P4	Output	8-bitX3 (High voltage P-channel open drain; V _{CC} -38V)
	P2, P3	I/O	8-bitX2 (P3 can partially be used as both serial I/O and normal I/O.)
	P5 ₀ , P5 ₁	Output	2-BitX1 (High voltage P-channel open drain; V _{CC} -38V)
	P5 ₂ , P5 ₃	Input	2-bitX1 (Can be used as an input for either INT ₂ or INT ₁ .)
	P5 ₄ ~P5 ₇	Input	4-bitX1
	P6	I/O	6-bitX1 (Can be used as T ₁ output or PWM output.)
Serial I/O		8-bitX1	
Timers		8-bit timerX3 (X2, when used as serial input/output)	
Subroutine nesting		80levels (max) (96 levels for M50954-XXXSP and M50955-XXXSP)	
Interrupt		Two external interrupts, three internal timer interrupts (or timerX2, serial input/outputX1)	
Clock generating circuit		Two built-in circuits (externally connected ceramic or quartz crystal oscillator)	
Supply voltage	at f(X _{IN})=4.2MHz	4.0~5.5V	
	below f(X _{IN})=1.0MHz	3.0~5.5V	
Power dissipation	at high-speed operation	15mW (clock frequency X _{IN} =4kHz)	
	at low-speed operation	0.3mW (clock frequency X _{CIN} =32kHz)	
	at stop mode	5 μ A (when clock is stopped)	
Input/Output characteristics	Input/Output voltage	12V (Input/Output P2, P3, P5 ₂ ~P5 ₇)	
		V _{CC} -38V (P0, P1, P4, P5 ₀ , P5 ₁)	
	Output current	-0.3V~V _{CC} +0.3V (Input/Output P6)	
		10mA (P2, P3 : Nch open drain) -18mA (P0, P1 : high voltage P-ch open drain) -12mA (P4, P5 ₀ , P5 ₁ : high voltage P-ch open drain) 0.5~-0.5mA (P6 : CMOS tri-states)	
Memory expansion		Possible	
Operating temperature range		-10~70°C	
Device structure		CMOS silicon gate process	
Package	M50754-XXXSP/M50954-XXXSP/M50955-XXXSP	64-pin shrink plastic molded DIP	
	M50754-XXXFP/M50954-XXXFP/M50955-XXXFP	72-pin plastic molded QFP	
	M50754-XXXGP/M50954-XXXGP/M50955-XXXGP	64-pin plastic molded QFP	

**M50754-XXXSP/FP/GP, M50954-XXXSP/FP/GP,
M50955-XXXSP/FP/GP**

SINGLE-CHIP 8-BIT CMOS MICROCOMPUTER

PIN DESCRIPTION

Pin	Name	Input/ Output	Functions
V _{CC} V _{SS}	Supply voltage		Power supply inputs 4.0~5.5V at f(X _{IN}) = 4.2MHz and 3.0~5.5V below f(X _{IN}) = 1.0MHz to V _{CC} , and 0V to V _{SS} .
CNV _{SS}	CNV _{SS}		This is usually connected to V _{SS} .
V _P	Pull-down voltage	Input	This is the input voltage pin for the pull-down transistor of ports P0, P1, P4, P5 ₀ and P5 ₁ .
RESET	Reset input	Input	To enter the reset state, the reset input pin must be kept at a "L" for more than 2μs (under normal V _{CC} conditions). If more time is needed for the crystal oscillator to stabilize, this "L" condition should be maintained for the required time.
X _{IN}	Clock input	Input	This chip has an internal clock generating circuit. To control generating frequency, an external ceramic or a quartz crystal oscillator is connected between the X _{IN} and X _{OUT} pins. If an external clock is used, the clock source should be connected the X _{IN} pin and the X _{OUT} pin should be left open.
X _{OUT}	Clock output	Output	
φ	Timing output	Output	This is the timing output pin.
X _{CIN}	Clock input for clock function	Input	This is the I/O pins of the clock generating circuit for the clock function. To control generating frequency, an external ceramic or a quartz crystal oscillator is connected between the X _{CIN} and X _{COUT} pins. If an external clock is used, the clock source should be connected to the X _{CIN} pin and the X _{COUT} pin should be left open. This clock can be used as the program controlled system clock.
X _{COUT}	Clock output for clock function	Output	
P0 ₀ ~P0 ₇	Output port P0	Output	Port P0 is an 8-bit output port. Output structure is high-voltage P-channel open drain. A pull-down transistor is built in between the V _P pin and this port. At reset, this port is set to a "L" level.
P1 ₀ ~P1 ₇	Output port P1	Output	Port P1 is an 8-bit output port and has basically the same functions as port P0.
P2 ₀ ~P2 ₇	I/O port P2	I/O	Port P2 is an 8-bit I/O port with directional registers allowing each I/O bit to be individually programmed as input or output. At reset, this port is set to input mode. The output structure is N-channel open drain.
P3 ₀ ~P3 ₇	I/O port P3	I/O	Port P3 is an 8-bit I/O port and has basically the same functions as port P2. When serial I/O is used, P3 ₇ , P3 ₆ , P3 ₅ , and P3 ₄ work as \overline{S}_{RDY} , CLK, S _{OUT} , and S _{IN} pins, respectively.
P4 ₀ ~P4 ₇	Output port P4	Output	Port P4 is an 8-bit output port and has basically the same functions as port P0.
P5 ₀ , P5 ₁	Output port P5	Output	Bit 0 and 1 of port P5 are 2-bit output port and has basically the same functions as port P0.
P5 ₂ /INT ₂ P5 ₃ /INT ₁	Input port P5	Input	Bit 2 and 3 of port P5 are 2-bit input port and are in common with interrupt inputs.
P5 ₄ ~P5 ₇		Input	Bit 4~7 of port P5 are 4-bit input port.
P6 ₀ ~P6 ₇	I/O port P6	I/O	Port P6 is a 8-bit I/O port with directional registers allowing each I/O bit to be individually programmed as input or output. The output structure is CMOS tri-state output. P6 ₀ , P6 ₁ , P6 ₂ , P6 ₃ can be programmed to function as timer output pin (T), PWM output pins (PWM ₁ , PWM ₂ , and PWM ₃), respectively.

M50754-XXXSP/FP/GP, M50954-XXXSP/FP/GP, M50955-XXXSP/FP/GP

SINGLE-CHIP 8-BIT CMOS MICROCOMPUTER

BASIC FUNCTION BLOCKS

MEMORY

A memory map for the M50754-XXXSP is shown in Figure 1. Addresses E800₁₆ to FFFF₁₆ are assigned to the built-in ROM area which consists of 6144 bytes. Addresses E000₁₆ to FFFF₁₆ are the ROM address area assigned to the M50954-XXXSP. Addresses D800₁₆ to FFFF₁₆ are the ROM address area assigned to the M50955-XXXSP. Addresses FF00₁₆ to FFFF₁₆ are a special address area (special page). By using the special page addressing mode of the JSR instruction, subroutines addressed on this page can be called with only 2 bytes. Addresses FFF4₁₆ to

FFFF₁₆ are vector addresses used for the reset and interrupts (see interrupt chapter). Addresses 0000₁₆ to 00FF₁₆ are the zero page address area. By using the zero page addressing mode, this area can also be accessed with 2 bytes. The use of these addressing methods will greatly reduce the object size required. The RAM, I/O port, timer, etc., are assigned to this area. Addresses 0000₁₆ to 009F₁₆ are assigned to the built-in RAM and consist of 160 bytes of static RAM. Addresses 0000₁₆ to 00BF₁₆ are the RAM address area assigned to the M50954-XXXSP and M50955-XXXSP. In addition to data storage, this RAM is used for the stack during subroutine calls and interrupts.

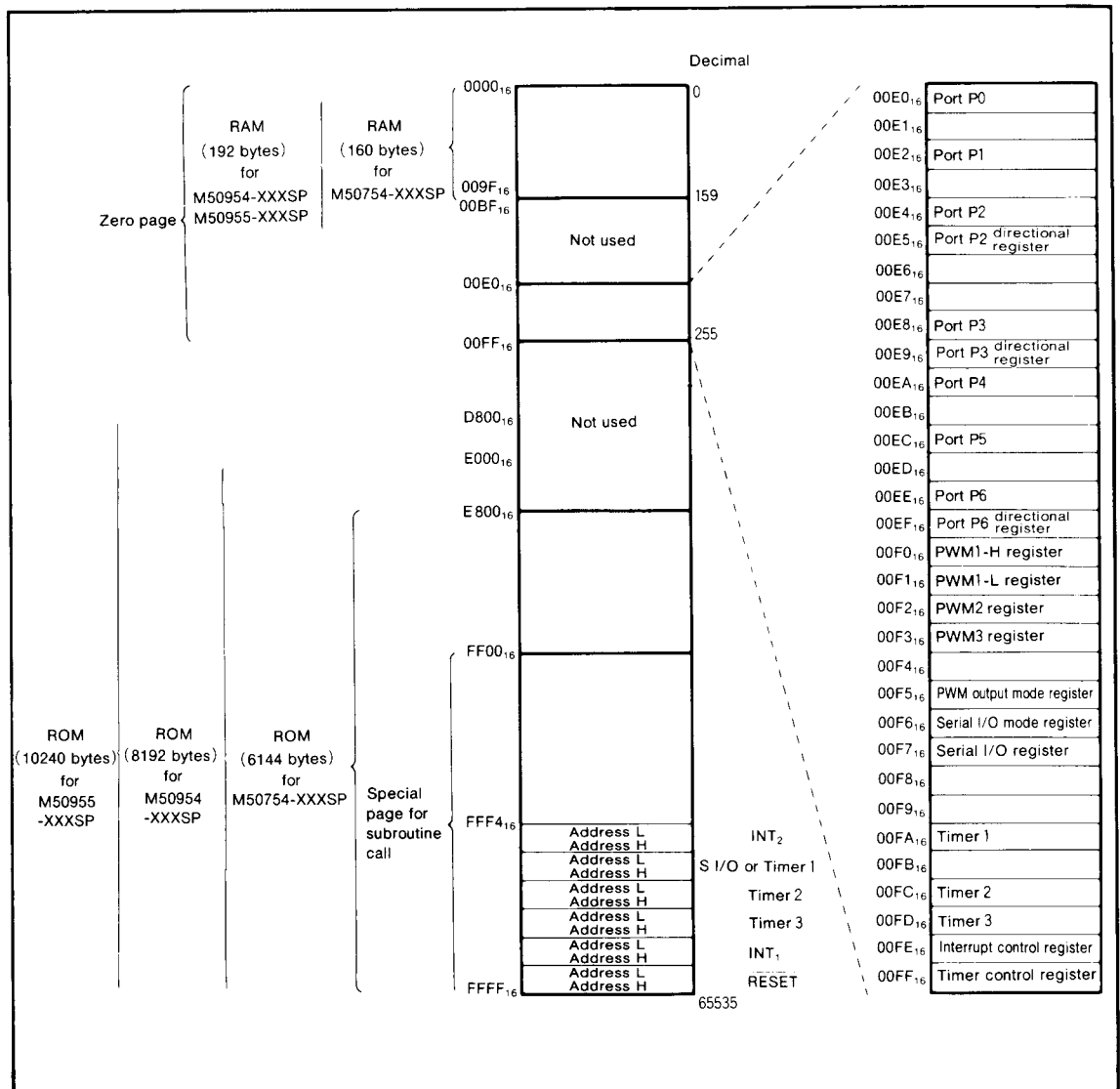


Fig.1 Memory map

M50754-XXXSP/FP/GP, M50954-XXXSP/FP/GP, M50955-XXXSP/FP/GP

SINGLE-CHIP 8-BIT CMOS MICROCOMPUTER

CENTRAL PROCESSING UNIT (CPU)

The CPU consists of 6 registers and is shown in Figure 2.

ACCUMULATOR (A)

The 8-bit accumulator (A) is the main register of the micro-computer. Data operations such as data transfer, Input/Output, etc., are executed mainly through accumulator.

INDEX REGISTER Y (Y)

The index register Y is an 8-bit register.

In the index addressing mode, the value of the OPERAND added to the contents of the register Y specifies the real address.

INDEX REGISTER X (X)

The index register X is an 8-bit register.

In the index addressing mode, the value of the OPERAND added to the contents of the register X, specifies the real address. When the T flag in the processor status register is set to "1", the index register X itself becomes the address for the second OPERAND.

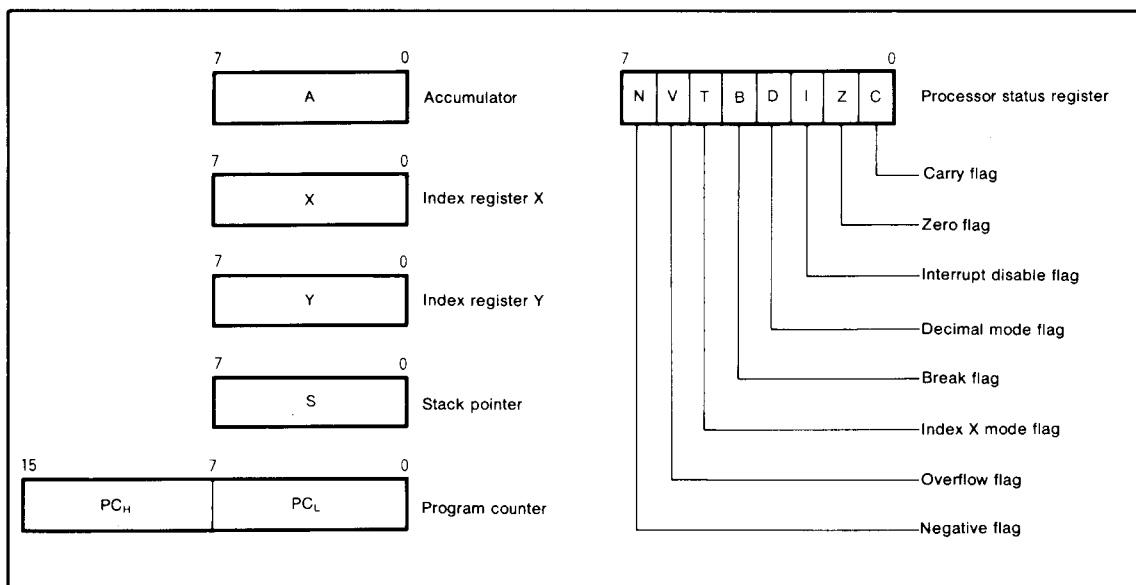


Fig.2 Register structure

M50754-XXXSP/FP/GP, M50954-XXXSP/FP/GP, M50955-XXXSP/FP/GP

SINGLE-CHIP 8-BIT CMOS MICROCOMPUTER

STACK POINTER (S)

The stack pointer (S) is an 8-bit register that contains the address of the next location in the stack. It is mainly used during interrupts and subroutine calls. The stack pointer is not automatically initialized after reset and should be initialized by the program using the TXS instruction.

The contents of the stack pointer is XX_{16} , the stack address is set to $00XX_{16}$. When using this microcomputer in the single-chip mode, the stack pointer should be set at the bottom address of the internal RAM.

When an interrupt occurs, the higher 8 bits of the program counter are pushed into the stack first, and then the lower 8 bits of the program counter are pushed into the stack. After each byte is pushed into the stack, the stack pointer is decremented by one. Next, the contents of the processor status register are pushed into the stack. When the return from interrupt instruction (RTI) is executed, the program counter and processor status register data is pulled off the stack in reverse order from above.

The accumulator is never pushed into the stack automatically. A Push Accumulator instruction (PHA) is provided to execute this function. Restoring the accumulator to its previous value is accomplished by the Pull Accumulator instruction (PLA). It is executed in reverse order of the PHA instruction.

The contents of the Processor Status Register (PS) are pushed (pulled) to (from) the stack with the PHP and PLP instructions, respectively. Only the program counter is pushed into the stack during a subroutine call. Therefore, any registers that should not be destroyed should be pushed into the stack manually. The RTS instruction is used to return from a subroutine.

PROGRAM COUNTER (PC)

The 16-bit program counter consists of two 8-bit registers PC_H and PC_L . The program counter is used to indicate the address of the next instruction to be executed.

PROCESSOR STATUS REGISTER (PS)

The processor status register is composed entirely of flags used to indicate the condition of the processor immediately after an operation. Branch operations can be performed by testing the Carry flag (C), Zero flag (Z), Overflow flag (V) or the Negative flag (N). Each bit of the register is explained below.

1. Carry flag (C)

The carry flag contains the carry or borrow generated by the Arithmetic and Logical operation Unit (ALU) immediately after an operation. It also changed by the shift and rotate instructions. The set carry (SEC) and clear carry (CLC) instructions allow direct access for setting and clearing this flag.

2. Zero flag (Z)

This flag is used to indicate if the immediate operation generated a zero result or not. If the result is zero, the zero flag will be set to "1". If the result is not zero, the zero flag will be set to "0".

3. Interrupt disable flag (I)

This flag is used to disable all interrupts. This is accomplished by setting the flag to "1". When an interrupt, this flag is automatically set to "1" to prevent other interrupts from interfering until the current interrupt is completed. The SEI and CLI instructions are used to set and clear this flag, respectively.

4. Decimal mode flag (D)

The decimal mode flag is used to define whether addition and subtraction are executed in binary or decimal. If the decimal mode flag is set to "1", the operations are executed in decimal, if the flag is set to "0", the operations are executed in binary. Decimal correction is automatically executed. The SED and CLD instructions are used to set and clear this flag, respectively.

5. Break flag (B)

When the BRK instruction is executed, the same operations are performed as in an interrupt. The address of the interrupt vector of the BRK instruction is the same as that of the lowest priority interrupt. The contents of the B flag can be checked to determine which condition caused the interrupt. If the BRK instruction caused the interrupt, the break flag will be "1", otherwise it will be "0".

6. Index X mode flag (T)

When the T flag is "1", operations between memories are executed directly without passing through the accumulator. Operations between memories involving the accumulator are executed when the T flag is "0" (i.e., operation results between memories 1 and 2 are stored in the accumulator). The address of memory 1 is specified by the contents of the index register X, and that of memory 2 is specified by the normal addressing mode. The SET and CLT instructions are used to set and clear the index X mode flag, respectively.

M50754-XXXSP/FP/GP, M50954-XXXSP/FP/GP, M50955-XXXSP/FP/GP

SINGLE-CHIP 8-BIT CMOS MICROCOMPUTER

7. Overflow flag (V)

The overflow flag functions when one byte is added or subtracted as a signed binary number. When the result exceeds +127 or -128, the overflow flag is set to "1". When the BIT instruction is executed, bit 6 of the memory location is input to the overflow flag. The overflow flag is reset by the CLV instruction and there is no set instruction.

8. Negative flag (N)

The negative flag is set whenever the result of a data transfer or operation is negative (bit 7 is set to "1"). Whenever the BIT instruction is executed, bit 7 of the memory location is input to the negative flag. There are no instructions for directly setting or resetting the negative flag.

INTERRUPT

The M50754-XXXSP can be interrupted from seven sources; INT₁, timer 3, timer 2, timer 1/serial I/O, or INT₂/BRK instruction.

The value of bit 2 of the serial I/O mode register (address 00F6₁₆) determine whether the interrupt is from timer 1 or from serial I/O. When bit 2 is "0" the interrupt is from timer 1, and when bit 2 is "1" the interrupt is from serial I/O. Also, when the bit 2 is "1", parts of port P3 are used for serial I/O. These interrupts are vectored and their priorities are shown in Table 1. Reset is included in this table since it has the same functions as the interrupts.

When an interrupt is accepted, the contents of certain registers are pushed into specified locations, (as discussed in the stack pointer section) the interrupt disable flag I is set, the program jumps to the address specified by the interrupt vector, and the interrupt request bit is cleared automatically. The reset interrupt is the highest priority interrupt and can never be inhibited. Except for the reset interrupt, all interrupt are inhibited when the interrupt disable flag I is set to "1". All of the other interrupts can further be controlled individually via the interrupt control register shown in Figure 3. An interrupt is accepted when the interrupt enable bit and the interrupt request bit are both "1" and the interrupt disable flag is "0".

Table 1 Interrupt vector address and priority

Interrupt	Priority	Vector address
RESET	1	FFFF ₁₆ , FFFE ₁₆
INT ₁	2	FFFD ₁₆ , FFFC ₁₆
Timer 3	3	FFFB ₁₆ , FFFA ₁₆
Timer 2	4	FFF9 ₁₆ , FFF8 ₁₆
Timer 1 or serial I/O	5	FFF7 ₁₆ , FFF6 ₁₆
INT ₂ (BRK)	6	FFF5 ₁₆ , FFF4 ₁₆

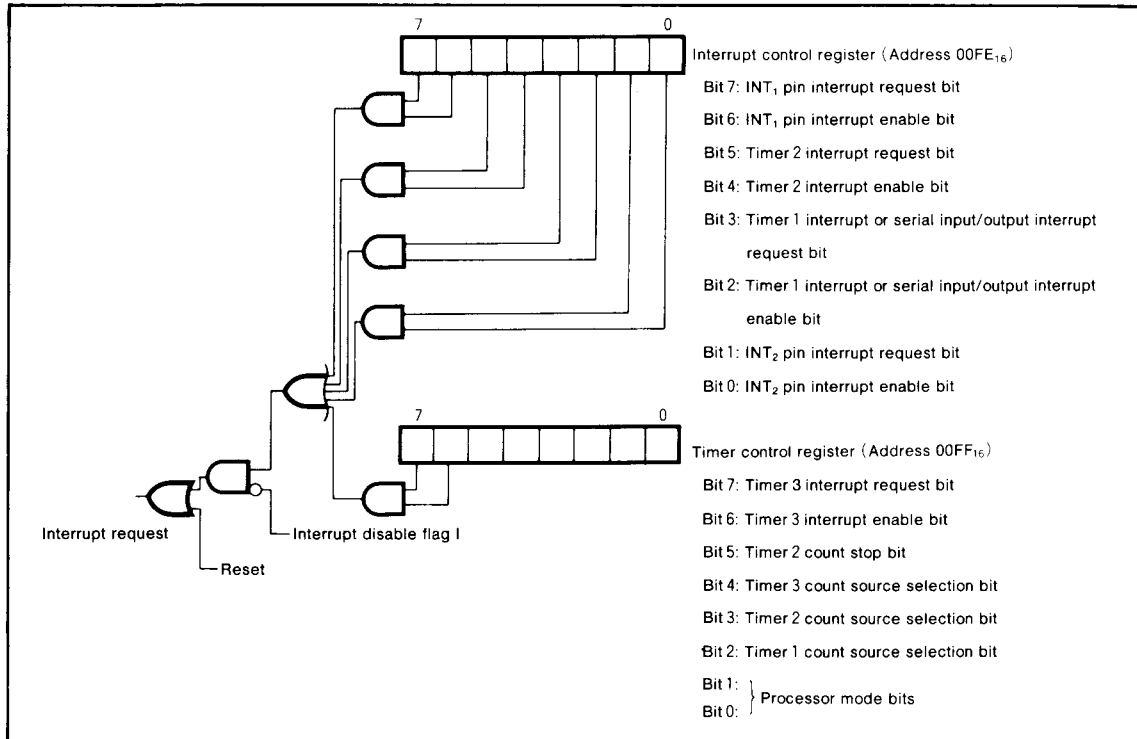


Fig.3 Interrupt control

**M50754-XXXSP/FP/GP, M50954-XXXSP/FP/GP,
M50955-XXXSP/FP/GP**

SINGLE-CHIP 8-BIT CMOS MICROCOMPUTER

The interrupt request bits are set when the following conditions occur:

- (1) When the level of pins INT₁ and INT₂ change.
- (2) When the contents of timer 3, timer 2, timer 1 (or the serial I/O counter) go to "0"

These request bits can be reset by the program but can not be set by the program. However, the interrupt enable bit can be set and reset by the program.

The change in level at which the INT pins generate an interrupt varies according to the content of bits 4 and 5 of the PWM output mode register (address 00F5₁₆). When these bits are "0", the interrupt request is generated when INT changes from high-level to low-level. When these bits are "1", the interrupt request is generated when INT changes from low-level to high-level. Bits 4 (PM₄) and 5 (PM₅) correspond to INT₁ and INT₂ respectively.

Since the BRK instruction and the INT₂ interrupt have the same vectored address, the contents of the B flag must be checked to determine if the BRK instruction caused the interrupt or if INT₂ generated the interrupt.

TIMER

The M50754-XXXSP has three timers; timer 1, timer 2, and timer 3. Since P3 (in serial I/O mode) and timer 1 use some of the same architecture, they cannot be used at the same time (see serial I/O section). The count source for each timer can be selected by using bit 2, 3 and 4 of the timer control register (address 00FF₁₆), as shown in Figure 5.

A block diagram of timer 1 through 3 is shown in Figure 4. All of the timers are down count timers and have 8-bit latches. When a timer counter reaches "0", the contents of the reload latch are loaded into the timer at the next clock pulse. The division ratio of the timers is 1/(n+1), where n is the contents of the timer latch.

The timer interrupt request bit is set to "1" at the next clock pulse after the timer reaches zero. The interrupt and timer control registers are located at addresses 00FE₁₆ and 00FF₁₆, respectively (see interrupt section). The starting/stopping of timer 2 can be controlled by bit 5 of the timer control register. If bit 5 (address 00FF₁₆) is "0", the timer starts counting and when bit 5 is "1", the timer stops.

When the STP instruction is executed, or after reset, the timer 2 and timer 3 latch are set to FF₁₆ and 07₁₆, respectively.

After a STP instruction is executed, timer 2, timer 3, and the clock (φ divided by 4) are connected in series (regardless of the status of bit 2 through 4 of the timer control register). This state is canceled if the timer 3 interrupt request bit is set to "1", or if the system is reset. Before the STP instruction is executed, bit 5 of the timer control register (timer 2 count stop bit) and bit 4 of the interrupt control register (timer 2 interrupt enable bit) must be set to "0". For more details on the STP instruction, refer to the oscillation circuit section.

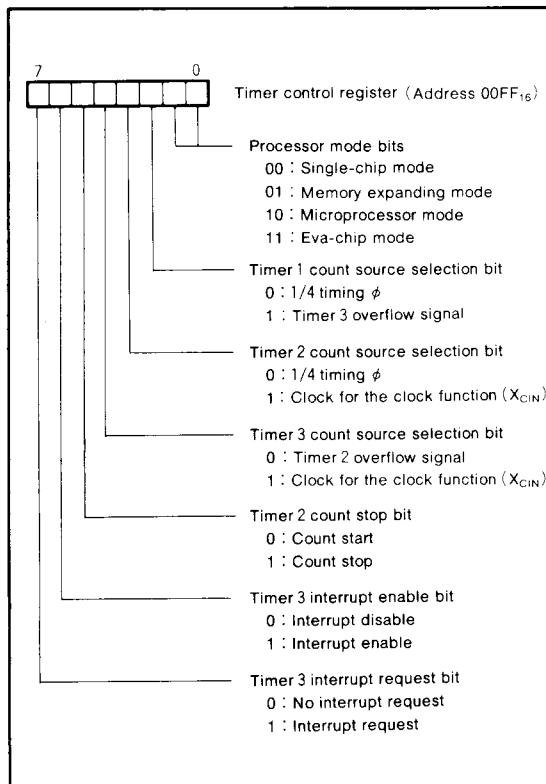


Fig.4 Structure of timer control register

**M50754-XXXSP/FP/GP, M50954-XXXSP/FP/GP,
M50955-XXXSP/FP/GP**

SINGLE-CHIP 8-BIT CMOS MICROCOMPUTER

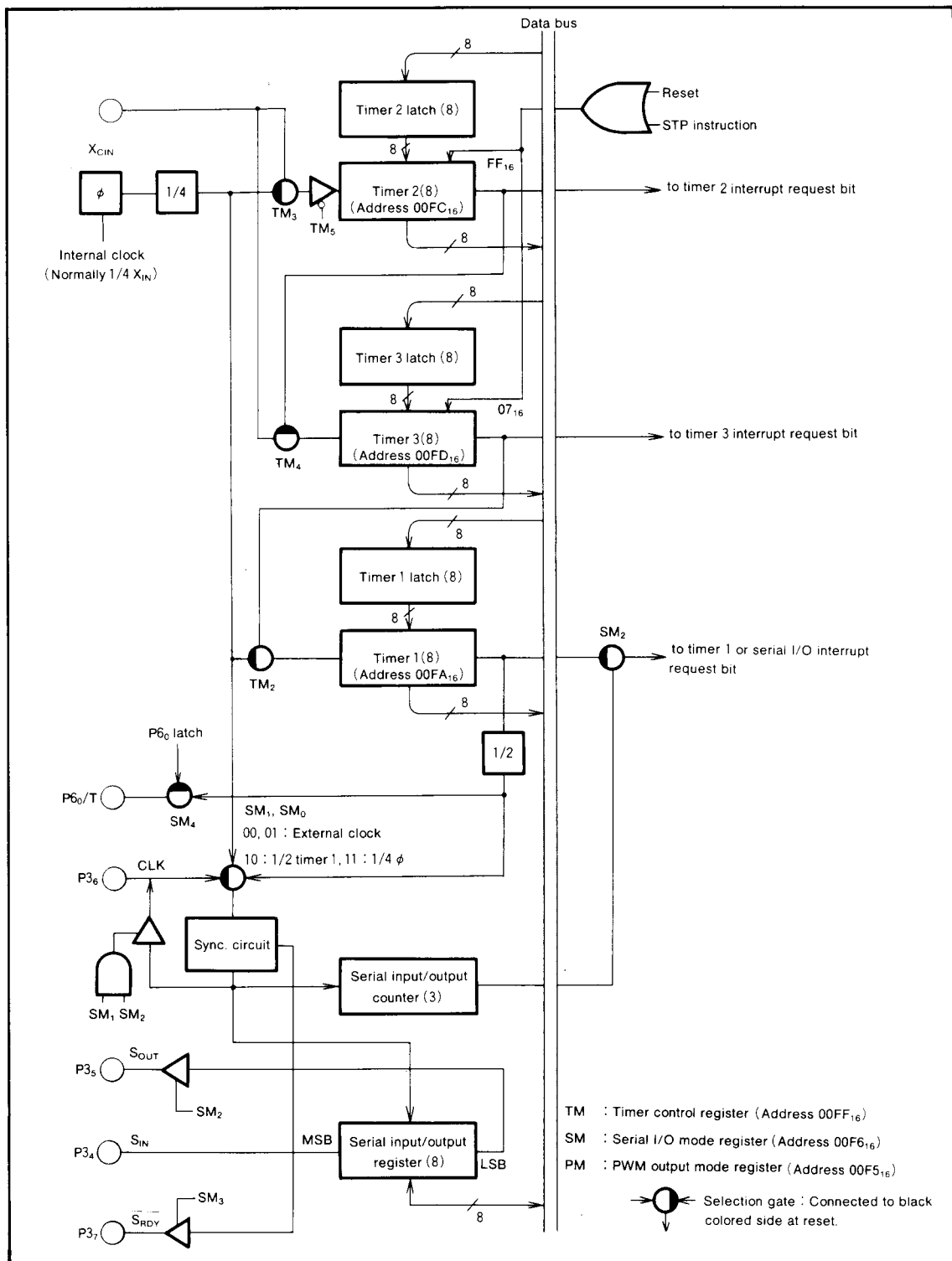


Fig.5 Block diagram of timer 1, timer 2, timer 3

**M50754-XXXSP/FP/GP, M50954-XXXSP/FP/GP,
M50955-XXXSP/FP/GP**

SINGLE-CHIP 8-BIT CMOS MICROCOMPUTER

SERIAL I/O

A block diagram of the serial I/O is shown in Figure 6. In the serial I/O mode the receive ready signal ($\overline{S_{RDY}}$), synchronous input/output clock (CLK), and the serial I/O pins (S_{OUT} , S_{IN}) are used as P3₇, P3₆, P3₅, and P3₄, respectively. The serial I/O mode register (address 00F6₁₆) is 8-bit register. Bits 1 and 0 of this register is used to select a synchronous clock source. When these bits are [00] or [01], an external clock from P3₆ is selected. When these bits are [10], the overflow signal from timer 1, divided by two, becomes the synchronous clock. Therefore, changing the timer period will change the transfer speed. When the bits are [11], timing ϕ divided by 4, becomes the clock.

Bit 2 and 3 decide whether parts of P3 will be used as a serial I/O or not. When bit 2 is a "1", P3₆ becomes an I/O pin of the synchronous clock. When an internal synchronous clock is selected, the clock is output from P3₆. If an external synchronous clock is selected, the clock is input to P3₆ and P3₅ will be a serial output and P3₄ will be a serial input. To use P3₄ as a serial input, set the directional register bit which corresponds to P3₄ to "0". For more information on the directional register, refer to the I/O pin section. To use the serial I/O, bit 2 needs to be set to "1", if it is "0" P3₆ will function as a normal I/O. Interrupts will be generated from the serial I/O counter instead of timer 1. Bit 3 determines if P3₇ is used as an output pin for the receive data ready signal (bit 3=1, $\overline{S_{RDY}}$) or used as normal I/O pin

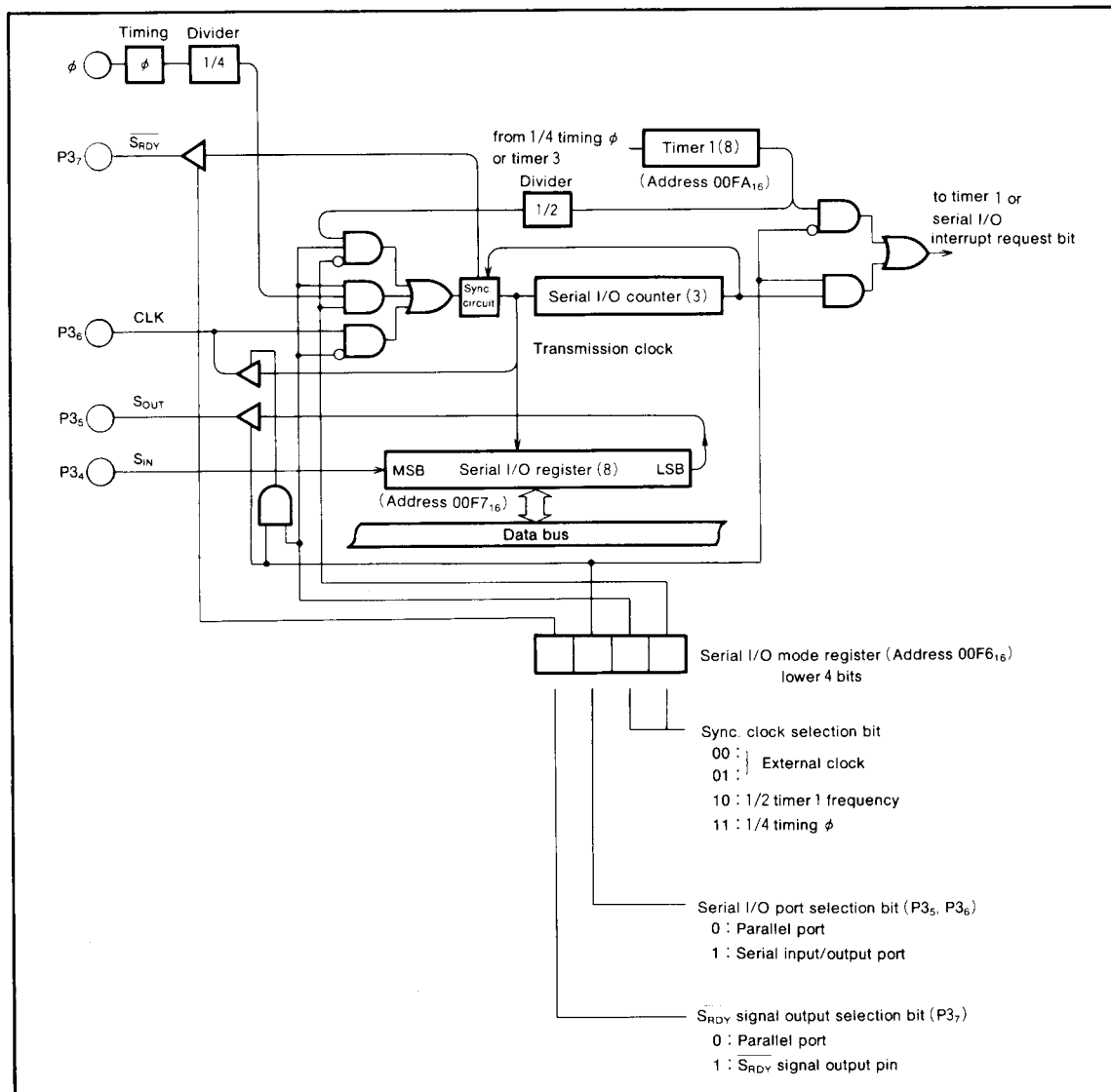


Fig.6 Block diagram of serial I/O

M50754-XXXSP/FP/GP, M50954-XXXSP/FP/GP, M50955-XXXSP/FP/GP

SINGLE-CHIP 8-BIT CMOS MICROCOMPUTER

(bit 3=0). The serial I/O function is discussed below. The function of the serial I/O differs depending on the clock source; external clock or internal clock.

Internal clock—The $\overline{S_{RDY}}$ signal becomes "H" during transmission or while dummy data is stored in the serial I/O register (address 00F7₁₆). After the falling edge of the write signal, the $\overline{S_{RDY}}$ signal becomes low signaling that the M50754-XXXSP is ready to receive the external serial data. The $\overline{S_{RDY}}$ signal goes "H" at the next falling edge of the transfer clock. The serial I/O counter is set to 7 when data is stored in the serial I/O register. At each falling edge of the transfer clock, serial data is output to P3₅. During the rising edge of this clock, data can be input from P3₄ and

the data in the serial I/O register will be shifted 1 bit.

Data is output starting with the LSB. After the transfer clock has counted 8 times, the serial I/O register will be empty and the transfer clock will remain at a high level. At this time the interrupt request bit will be set.

External clock—If an external clock is used, the interrupt request will be sent after the transfer clock has counted 8 times but transfer clock will not stop.

Due to this reason, the external clock must be controlled from the outside. The external clock should not exceed 250kHz at a duty cycle of 50%. The timing diagram is shown in Figure 7. An example of communication between two M50754-XXXSPs is shown in Figure 8.

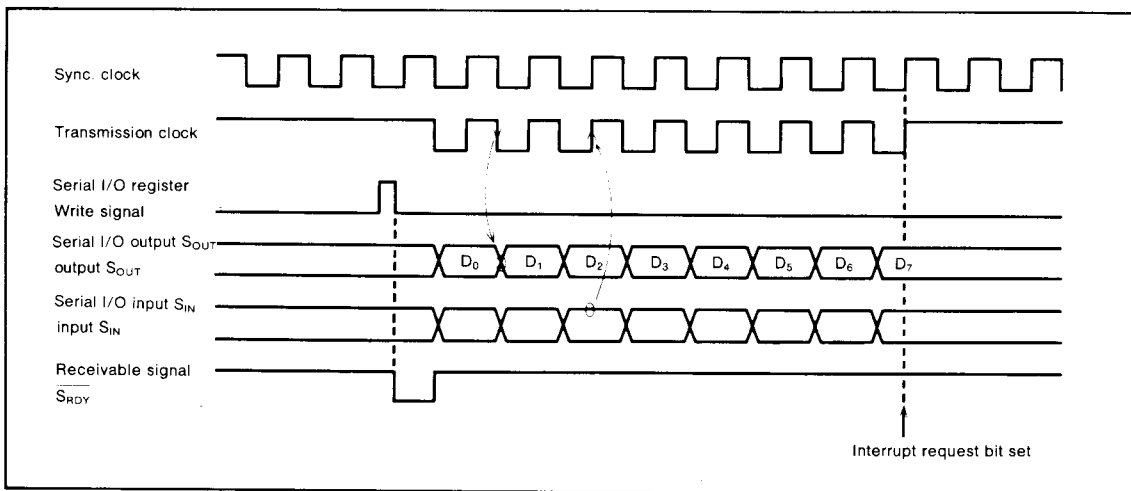


Fig.7 Serial I/O timing

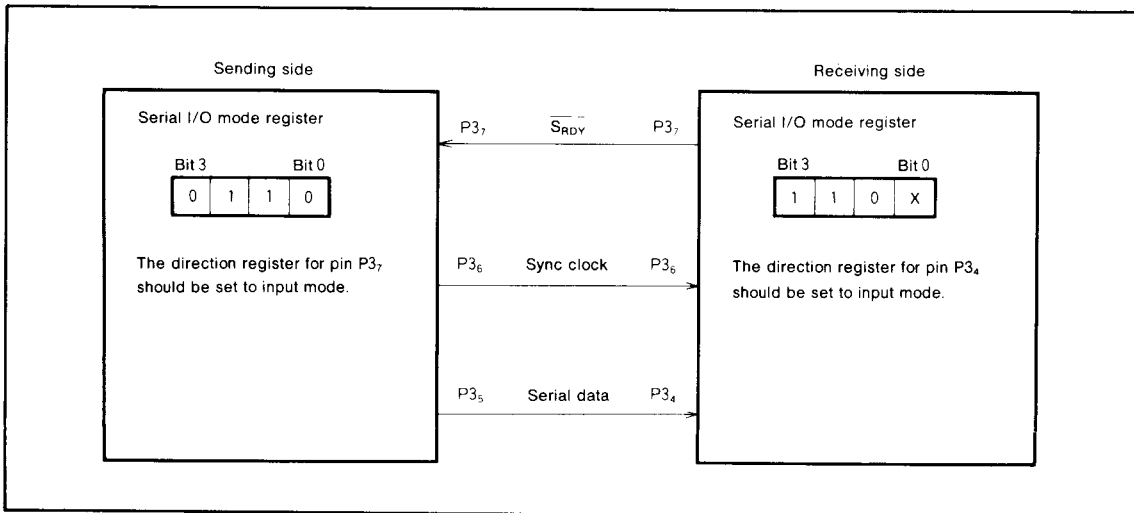


Fig.8 Example of serial I/O connection

M50754-XXXSP/FP/GP, M50954-XXXSP/FP/GP, M50955-XXXSP/FP/GP

SINGLE-CHIP 8-BIT CMOS MICROCOMPUTER

PWM OUTPUT CIRCUIT

(1) Introduction

The M50754-XXXSP is equipped with one 14-bit and two 6-bit PWMs. The 14-bit resolution gives PWM1 the minimum resolution bit width of 500ns (for $X_{IN}=4\text{MHz}$) and a repeat period of 8192 μs . PWM2 and PWM3 have a 6-bit resolution with minimum resolution bit width of 16 μs and repeat period of 1024 μs .

Block diagram of the PWM is shown in Figure 9.

The PWM timing generator section applies individual control signals to PWM 1~3, using clock input X_{IN} divided by 2 as a reference signal.

(2) Data setting

The output pins PWM1, PWM2 and PWM3 are in common with pins P6₁, P6₂ and P6₃ of port P6 (i.e. for PWM output, PM1~PM3 of the PWM control register and the P6 directional register D6₁~D6₃ should be set). When PWM1 is used for output, first set the higher 8-bit of the PWM1-H register (address 00F0₁₆), then the lower 6-bit of the PWM1-L register (address 00F1₁₆). When either PWM2 or PWM3 is used for output, set the 6-bit in the PWM2 (address 00F2₁₆) or PWM3 (address 00F3₁₆) register, respectively. Note that the higher 2 bits of these 8-bit registers are ignored when used 6-bit register.

(3) Transferring data from registers to latches

The data written to the PWM registers is transferred to the PWM latches at the repetition of the PWM period. The signals output to the PWM pins correspond to the contents of these latches. When data at addresses 00F0₁₆ ~ 00F3₁₆ is read, data in these latches has already been read allowing the data output by the PWM to be confirmed. When the 6-bit latch is being read, the upper 2 bits of the register becomes undefined. However, bit 7 of the PWM1-L register indicated the completion of the data transfer from the PWM1 register to the PWM1 latch. If bit 7 is "0", the transfer has been completed, if bit 7 is "1", the transfer has not yet begun.

(4) Operation of the 6-bit PWMs

The timing diagram of the two 6-bit PWMs (PWM2 and PWM3) is shown in Figure 10. One period (T) is composed of 64 (2⁶) segments.

There are six different pulse types configured from bits 0~5 representing the significance of each bit. These are output within one period in the circuit internal section. Refer to Figure 10(a).

Six different pulses can be output from the PWM. These can be selected by bits 0 through 5. Depending on the content of the 6-bit PWM latch, pulses from 5~0

is selected. The PWM output is the difference of the sum of each of these pulses. Several examples are shown in Figure 10(b). Changes in the contents of the PWM latch allows the selection of 64 lengths of high-level area outputs varying from 0/64 to 63/64. An length of entirely high-level output cannot be output, i.e. 64/64.

(5) 14-bit PWM operation

The timing diagram of the 14-bit PWM1 is shown in Figure 11. The 14-bit PWM divides the data within the PWM latch into the lower 6 bits and higher 8 bits.

A high-level area within a length N times τ is output every short area of $t=256\tau=128\mu\text{s}$ as determined by data N of the higher 8 bits. (Refer to PWM output ② in the lower part of Figure 11.)

Thus, the time for the high-level area is equal to the time set by the lower 8 bits or that plus τ . As a result, the short-area period $t(=128\mu\text{s}, \text{ approx. } 7.8\text{kHz})$ becomes an approximately repetitive period.

(6) Output after reset

At reset the output of port P6 is in the high impedance state and the contents of the PWM register and latch are undefined. Note that after setting the PWM register, its data is transferred to the latch.

Table 2 Relation between the 6 lower-order bits of data and the space set by the ADD bit

6 lower-order bits of data	Area longer by τ than that of other $t_m (m=0\sim63)$
0 0 0 0 0 0	Nothing
0 0 0 0 0 1	$m=32$
0 0 0 0 1 0	$m=16, 48$
0 0 0 1 0 0	$m=8, 24, 40, 56$
0 0 1 0 0 0	$m=4, 12, 20, 28, 36, 42, 50, 58$
0 1 0 0 0 0	$m=2, 6, 10, 14, 18, 22, 26, 30, 34, 38, 42, 46, 50, 54, 58, 62$
1 0 0 0 0 0	$m=1, 3, 5, 7, \dots, 57, 59, 61, 63$

MITSUBISHI MICROCOMPUTERS
M50754-XXXSP/FP/GP, M50954-XXXSP/FP/GP,
M50955-XXXSP/FP/GP

SINGLE-CHIP 8-BIT CMOS MICROCOMPUTER

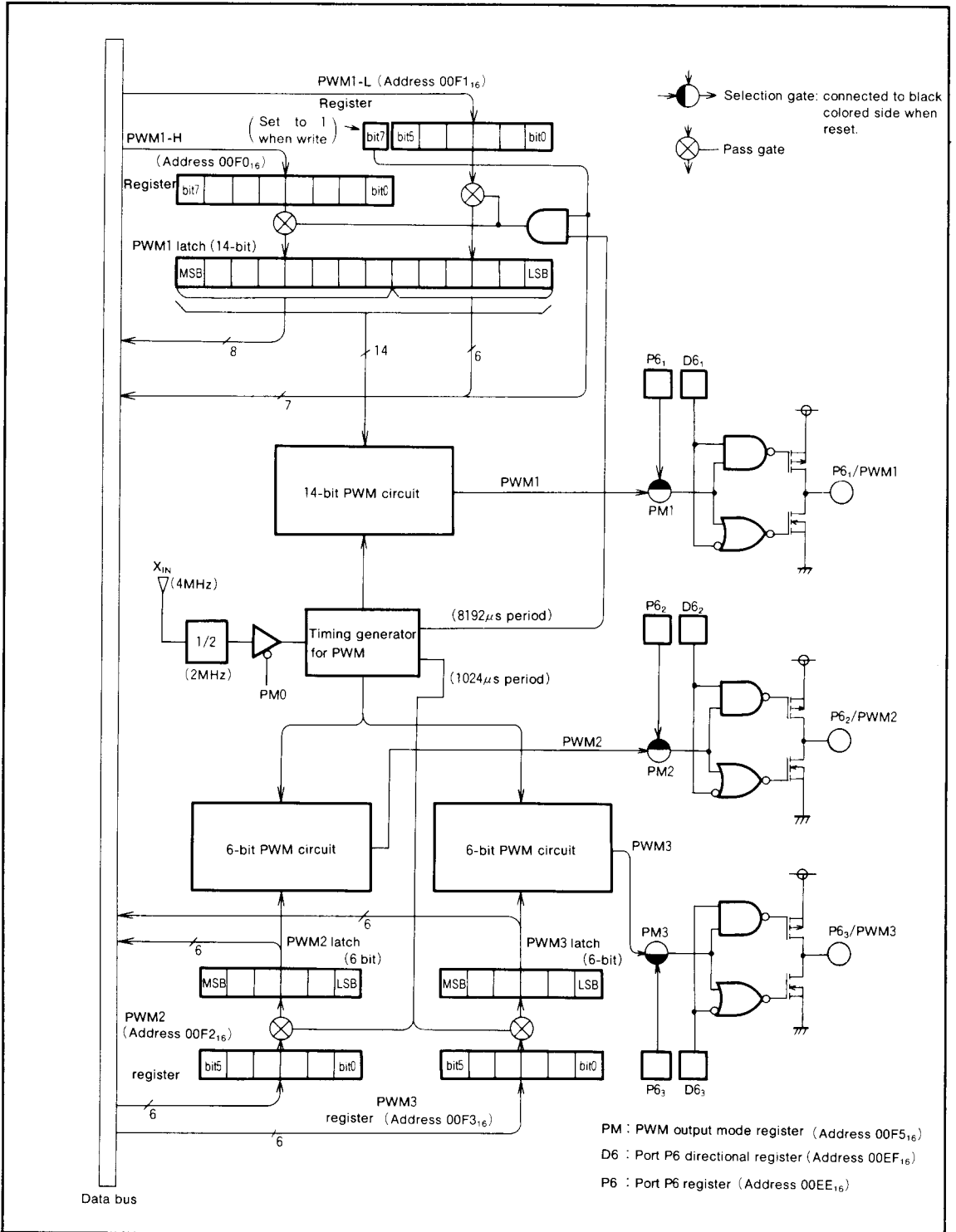


Fig.9 Block diagram of the PWM circuit

**M50754-XXXSP/FP/GP, M50954-XXXSP/FP/GP,
M50955-XXXSP/FP/GP**

SINGLE-CHIP 8-BIT CMOS MICROCOMPUTER

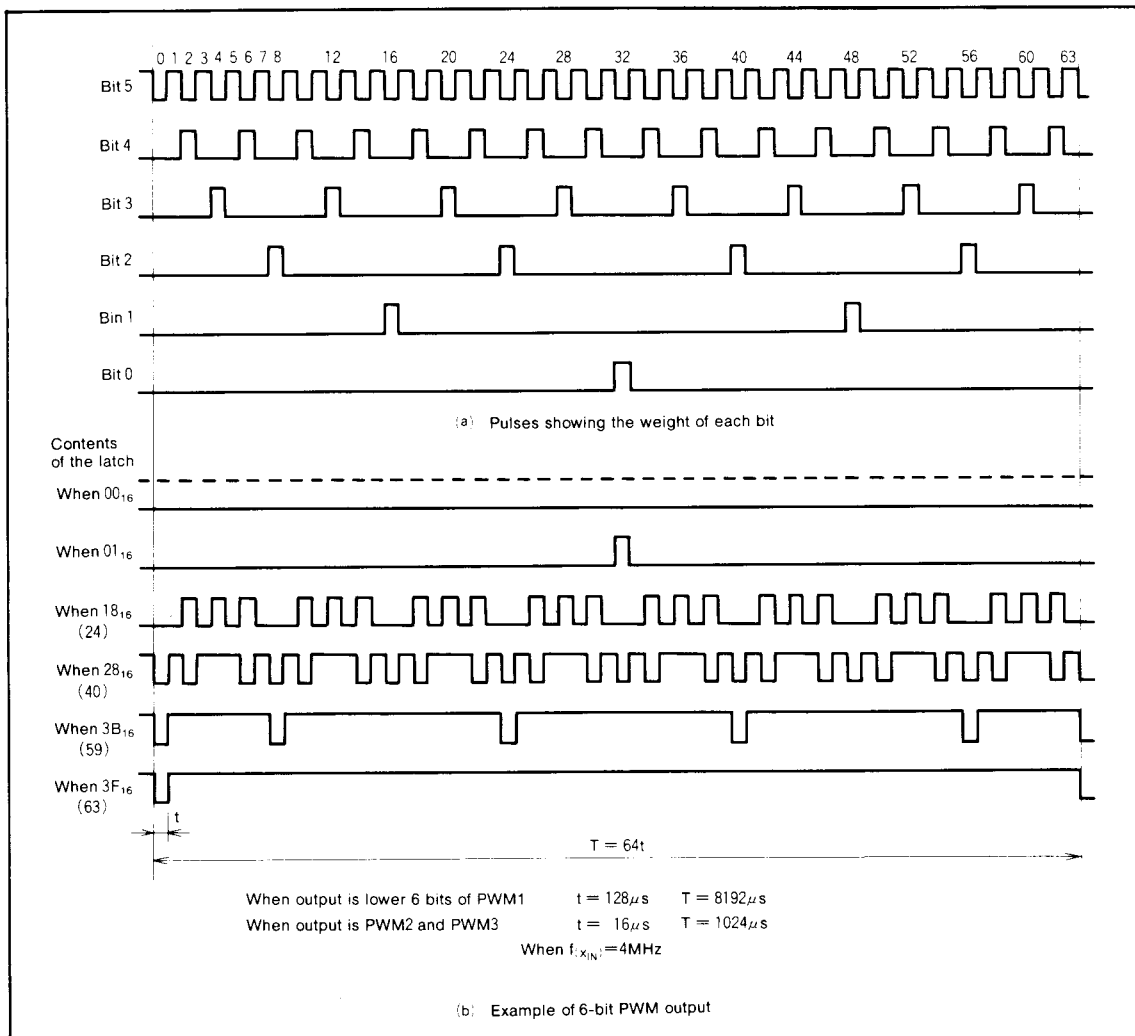


Fig.10 6-bit PWM timing diagram

**M50754-XXXSP/FP/GP, M50954-XXXSP/FP/GP,
M50955-XXXSP/FP/GP**

SINGLE-CHIP 8-BIT CMOS MICROCOMPUTER

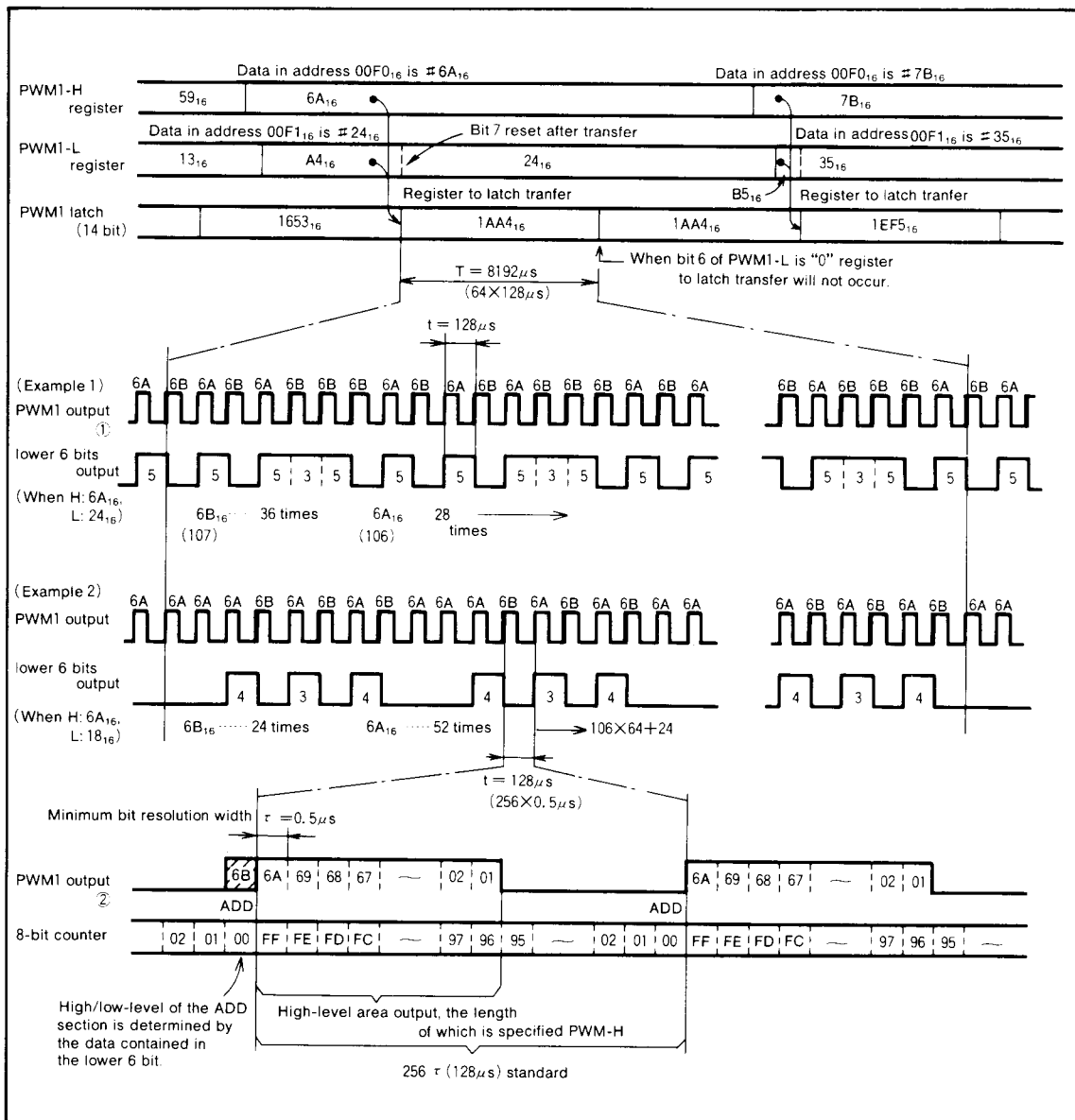


Fig.11 14-bit PWM timing diagram

**M50754-XXXSP/FP/GP, M50954-XXXSP/FP/GP,
M50955-XXXSP/FP/GP**

SINGLE-CHIP 8-BIT CMOS MICROCOMPUTER

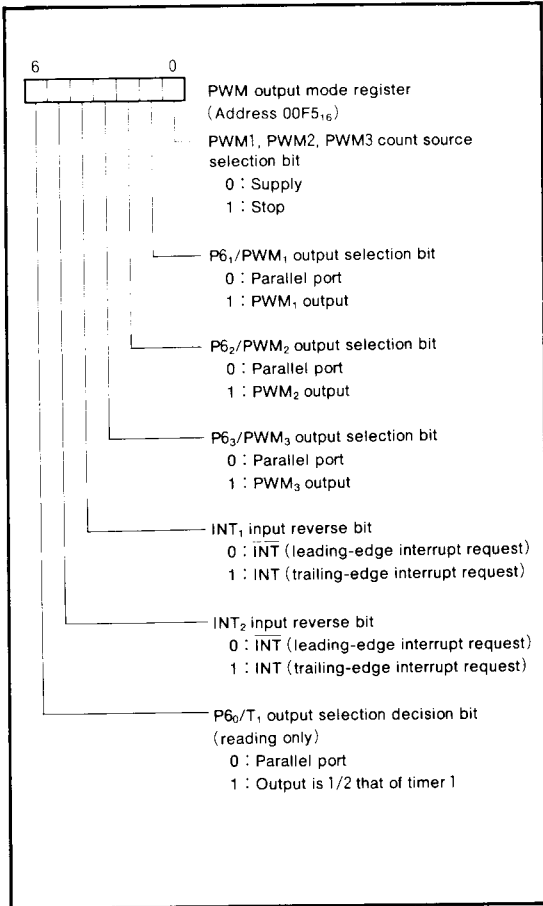


Fig.12 Structure of PWM output mode register

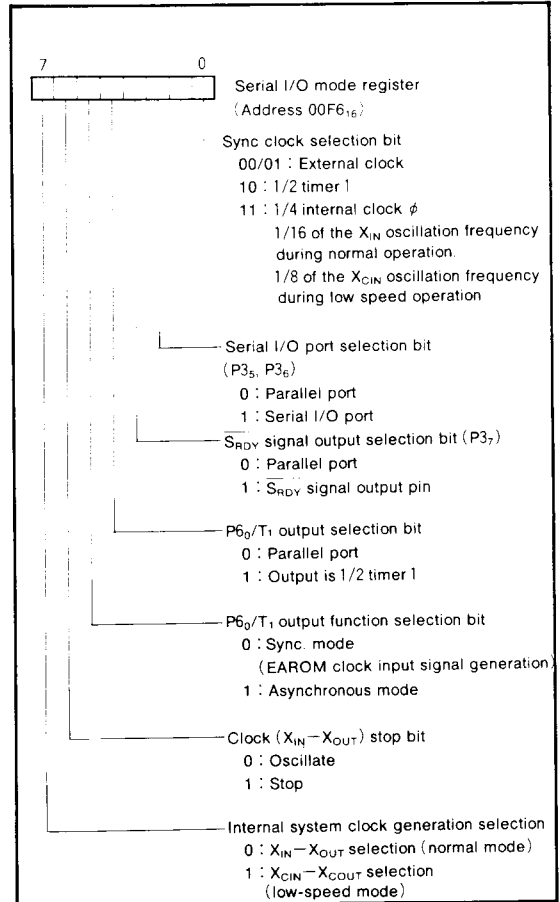


Fig.13 Structure of serial I/O mode register

**M50754-XXXSP/FP/GP, M50954-XXXSP/FP/GP,
M50955-XXXSP/FP/GP**

SINGLE-CHIP 8-BIT CMOS MICROCOMPUTER

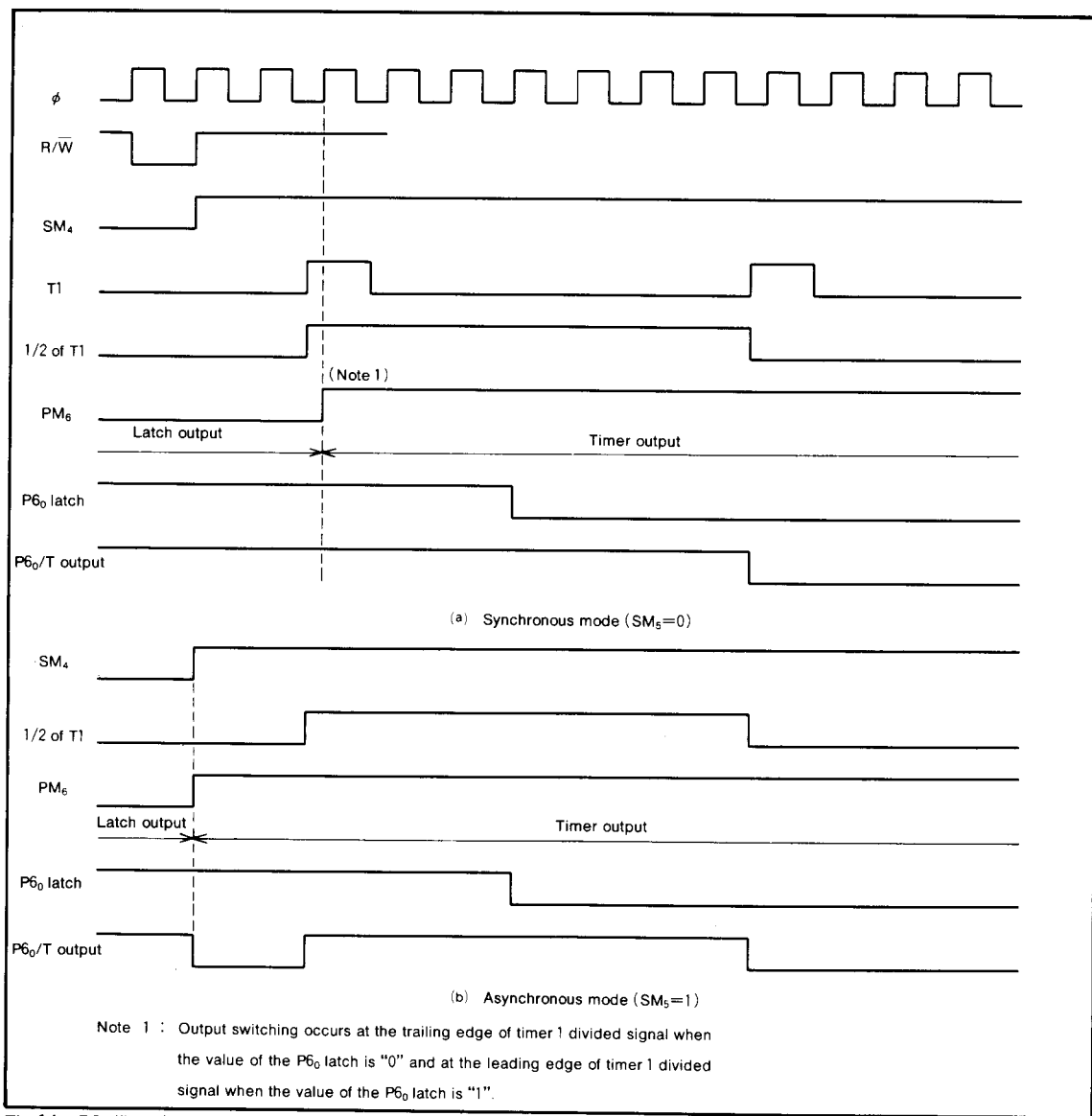


Fig.14 P60/T switching timing diagram

**M50754-XXXSP/FP/GP, M50954-XXXSP/FP/GP,
M50955-XXXSP/FP/GP**

SINGLE-CHIP 8-BIT CMOS MICROCOMPUTER

PORT P6₀/TIMER 1 OUTPUT

Bit 0 of port P6 outputs 1/2 the frequency of timer 1 when 00F6₁₆ bit 4 of the serial I/O mode register (address 00F6₁₆) is changed. The output switching can be accomplished with either of two procedures, synchronous mode or asynchronous mode, depending on the setting of bit 5 (SM₅) of the serial I/O mode register.

When SM₅ is set to "0" the synchronous mode is set. In such a case, after SM₄ has been changed, synchronization is set to the 1/2 frequency of timer 1 and switching between the port latch and timer takes place. It is possible to ascertain whether switching actually occurred by reading the value of bit 6 (PM₆) of the PWM output mode register.

From the time that the contents of SM₄ was changed to the point where switching completes, the contents of neither SM₄ nor P6₀ may be changed. Use of the synchronous mode prevents the generation of a pulse shorter than the timer output during switching. Figure 14 (a) gives an example of timing in the synchronous mode. Use of the synchronous mode allows generation of an EAROM clock input signal through the use of a simple program.

When SM₅ is set to "1", the asynchronous mode is set. In this case, the output switching occurs directly after SM₄ has been changed. Figure 14 (b) gives an example of timing in the asynchronous mode.

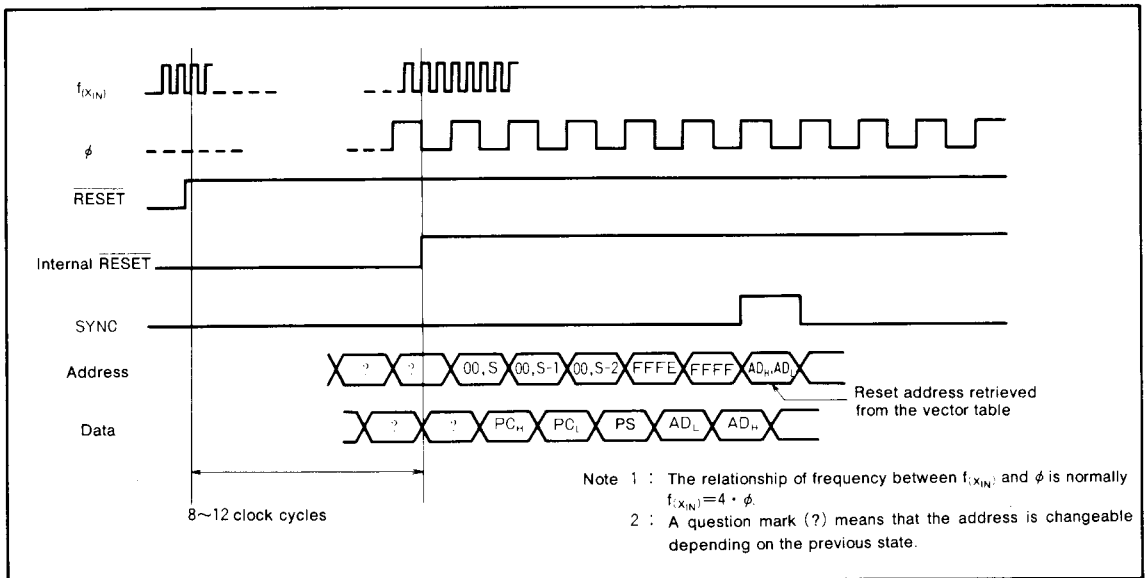


Fig.15 Timing diagram at reset

M50754-XXXSP/FP/GP, M50954-XXXSP/FP/GP, M50955-XXXSP/FP/GP

SINGLE-CHIP 8-BIT CMOS MICROCOMPUTER

RESET CIRCUIT

The M50754-XXXSP is reset according to the sequence shown in Figure 15. It starts the program from the address formed by using the content of address $FFFF_{16}$ as the high order address and the content of the address $FFFE_{16}$ as the low order address when the RESET pin is held at "L" level for more than $2\mu s$ while the power voltage is in the recom-

mended operating condition and the crystal oscillator oscillation is stable and then returned to "H" level. The internal initializations following reset are shown in Figure 16.

An example of the reset circuit is shown in Figure 17.

When the power on reset is used, the RESET pin must be held "L" until the oscillation of X_{IN} - X_{OUT} becomes stable.

	Address	
(1) Port 0 register	(P 0) (E 0 ₁₆) ...	0 0 ₁₆
(2) Port 1 register	(P 1) (E 2 ₁₆) ...	0 0 ₁₆
(3) Port P2 directional register	(D 2) (E 5 ₁₆) ...	0 0 ₁₆
(4) Port P3 directional register	(D 3) (E 9 ₁₆) ...	0 0 ₁₆
(5) Port 4 register	(P 4) (E A ₁₆) ...	0 0 ₁₆
(6) Port 5 register	(P 5) (E C ₁₆) ...	0 0
(7) Port P6 directional register	(D 6) (E F ₁₆) ...	0 0 ₁₆
(8) PWM output mode register	(P M) (F 5 ₁₆) ...	0 0 0 0 0 0 0 0
(9) Serial I/O mode register	(S M) (F 6 ₁₆) ...	0 0 ₁₆
(10) Timer 2	(T 2) (F C ₁₆) ...	F F ₁₆
(11) Timer 3	(T 3) (F D ₁₆) ...	0 7 ₁₆
(12) Interrupt control register	(I M) (F E ₁₆) ...	0 0 ₁₆
(13) Timer control register	(T M) (F F ₁₆) ...	0 0 ₁₆
(14) Processor status register (only the interrupt disable flag is set.)	(P S) ...	1
(15) Program counter	(P C _H) ...	Contents of address $FFFF_{16}$
	(P C _L) ...	Contents of address $FFFE_{16}$

Since the contents of both registers other than those listed above (including timer 1 and the serial I/O registers) and the RAM are undefined at reset, it is necessary to set initial values.

Fig.16 Internal state of the microcomputer at reset

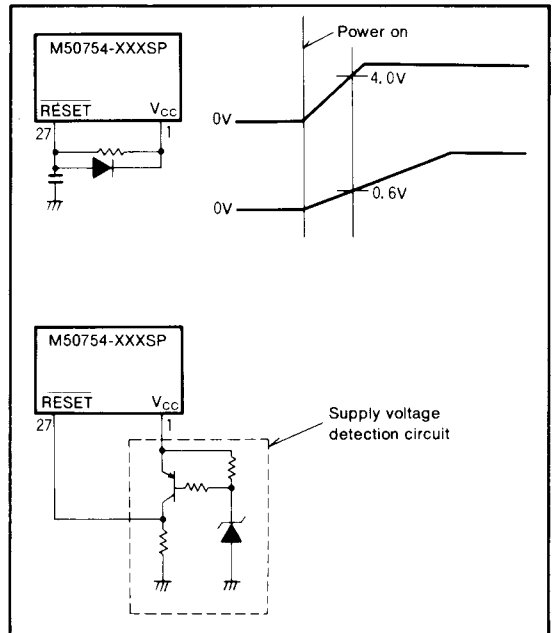


Fig.17 Example of reset circuit

M50754-XXXSP/FP/GP, M50954-XXXSP/FP/GP, M50955-XXXSP/FP/GP

SINGLE-CHIP 8-BIT CMOS MICROCOMPUTER

I/O PORTS

(1) Port P0

Port P0 is an 8-bit output port with high-breakdown voltage p-channel open-drain outputs featuring a breakdown voltage of $V_{CC}-36V$. Each pin contains a pull-down resistor making V_P a negative power source. As shown in the memory map in Figure 1, port P0 is used on the zero page at address $00E0_{16}$ in memory.

Depending on the content of the processor mode bit (bits 0 and 1 of address $00FF_{16}$), four modes can be selected, single-chip mode, memory expanding mode, microprocessor mode, memory expanding mode, microprocessor mode, and eva-chip mode. Modes other than the single-chip mode also have functions as address output pins besides their original functions. For details, refer to the section on the processor mode.

(2) Port P1

Port P1 has the same functions as port P0 in the single-chip mode. In modes other than the single-chip mode, functions vary slightly. For details, see the section on the processor mode.

(3) Port P2

Port P2 is an 8-bit I/O port with N-channel open drain outputs. As shown in Figure 1, port P2 is used at address $00E4_{16}$ in the memory.

Port P2 has a data direction register (address $00E5_{16}$ on zero page) and programming can be undertaken for an individual bit to use the port for input or output. The pins where the data direction register is programmed to "1" are for output and those where the register is programmed to "0" are for input.

The data written into the pin programmed as an output pin are written into the port latch and supplied directly to the output pin. When reading the data from a pin programmed as an output pin, it is not the output pin contents which are read but the port latch contents. Consequently, since an LED or other similar part is driven directly, the value output previously can be read correctly even if the low-level output voltage goes high. The pin programmed as an input pin remains floating, so external signals can be read. When data is written, it is written into the port latch only and the pin remains floating.

This port has the same functions as port P0 except for the single-chip mode. For details, see the section on the processor mode.

(4) Port P3

Apart from the fact that part of the pins are also used as serial input/output pins, its functions are the same as those of port P2 in the single-chip mode. This port has the same functions as port P0 except in the single-chip mode. For details, see the section on the processor mode.

(5) Port P4

Port P4 has the same functions as port P0 in the single-chip mode. The functions of this port do not change regardless of though the processor mode.

(6) Port P5

Bits 0 and 1 of port P5 have the same functions as port P4.

Bits 2 and 3 are exclusively used as inputs for mutual use as interrupt inputs. These pins feature hysteresis characteristics. These pins can also be used for fetching inputs even when being used as interrupt inputs.

The interrupt request bits (bit 7 and 1 of address $00FE_{16} = INT_1$ and INT_2 , respectively) are set to "1" when the inputs of ports $P5_3$ (INT_1) and $P5_2$ (INT_2) change. Depending on the contents of bits 4 and 5 of the PWM output mode register PM (address $00F5_{16}$), either a raising-edge interrupt or a falling-edge interrupt may be selected as the interrupt source. (Refer to Figure 12.)

Since interrupt input and normal input ports are used together in the M50754-XXXSP, unwanted noise may mistakenly cause interrupts. This problem can be overcome by programming.

When changing either bit 4 (PM_4) or bit 5 (PM_5) of the PWM output mode register, it is necessary for the interrupt request enable bit (either bit 6 or 0 of address $00FE_{16}$) to be set to the interrupt disable condition ("0"). If this is not done, an interrupt will be generated when either PM_4 or PM_5 is changed.

Bits 4 through 7 of port P5 is a 4-bit input port.

(7) Port P6

Port P6 is a 6-bit I/O port having the same functions as Port P2. The output is CMOS three-state. Bit 0 is used in common with the timer output. Bits 1~3 are used in common with PWMs 1~3.

The functions of this port do not change, being the same as in the single-chip mode, even though the processor mode may change.

A block diagram of ports P0 through P6 are shown in Figure 18.

(8) Clock ϕ output pin

The clock frequency, divided by four, is output (X_{IN}). However, in the low-speed mode 1/2 the clock frequency for timer (X_{CIN}) is output.

MITSUBISHI MICROCOMPUTERS
M50754-XXXSP/FP/GP, M50954-XXXSP/FP/GP,
M50955-XXXSP/FP/GP

SINGLE-CHIP 8-BIT CMOS MICROCOMPUTER

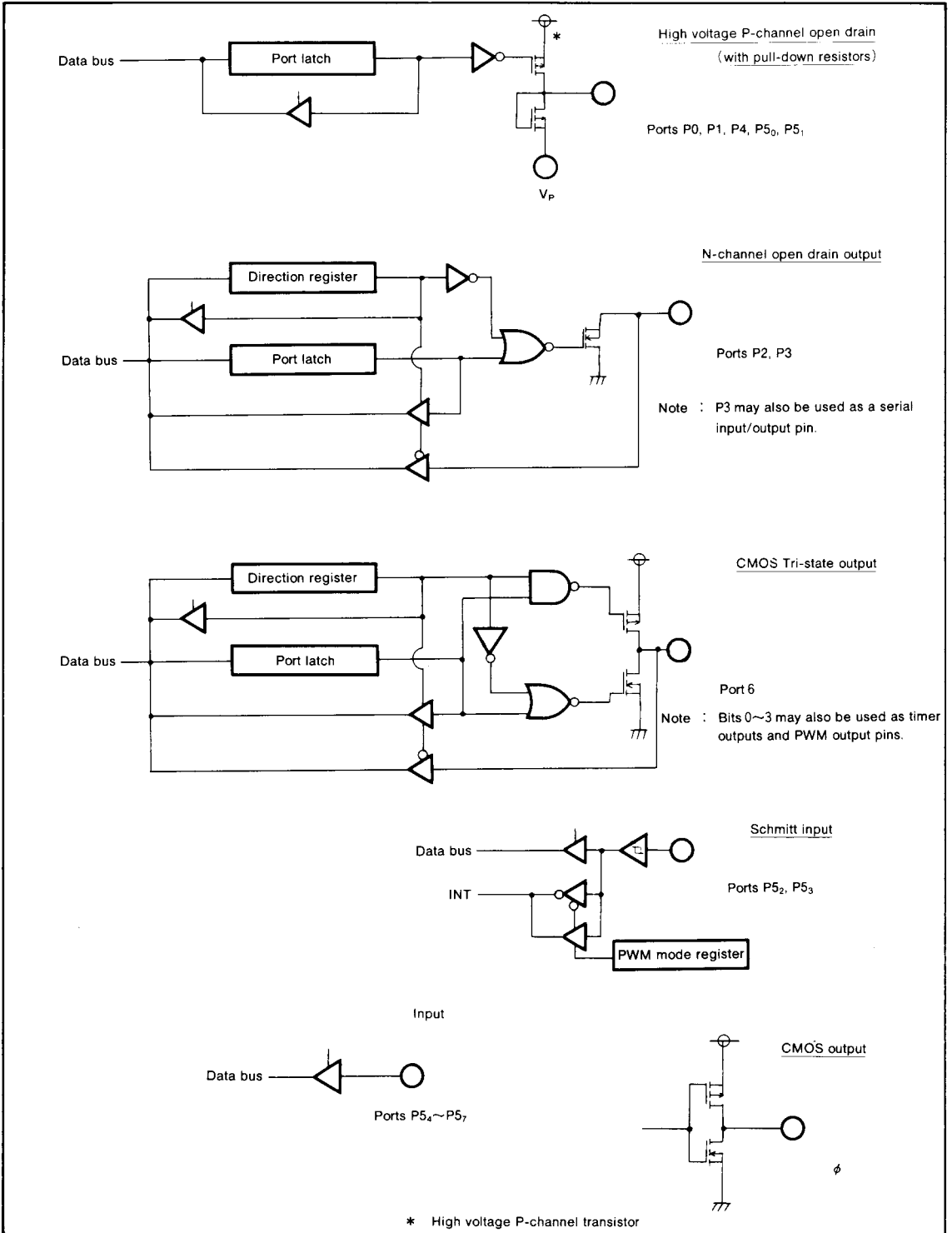


Fig.18 Block diagram of port P0~P6 (single-chip mode) and output format of ϕ

M50754-XXXSP/FP/GP, M50954-XXXSP/FP/GP, M50955-XXXSP/FP/GP

SINGLE-CHIP 8-BIT CMOS MICROCOMPUTER

PROCESSOR MODE

By changing the contents of the processor mode bit (bit 0 and 1 at address $00FF_{16}$), four different operation modes can be selected; single-chip mode, memory expanding mode, microprocessor mode and evaluation chip (eva-chip) mode. In the memory expanding mode, microprocessor mode and eva-chip mode, ports $P0 \sim P3$ can be used as multiplexed I/O for address, data and control signals, as well as the normal functions of the I/O ports.

Figure 20 shows the functions of ports $P0 \sim P3$.

The memory map for the single-chip mode is illustrated in Figure 1 and for other modes, in Figure 19.

By connecting CNV_{SS} to V_{SS} , all four modes can be selected through software by changing the processor mode bits. Connecting CNV_{SS} to V_{CC} automatically forces the microcomputer into microprocessor mode. Supplying 10V to CNV_{SS} places the microcomputer in the eva-chip mode. The four different modes are explained as follows:

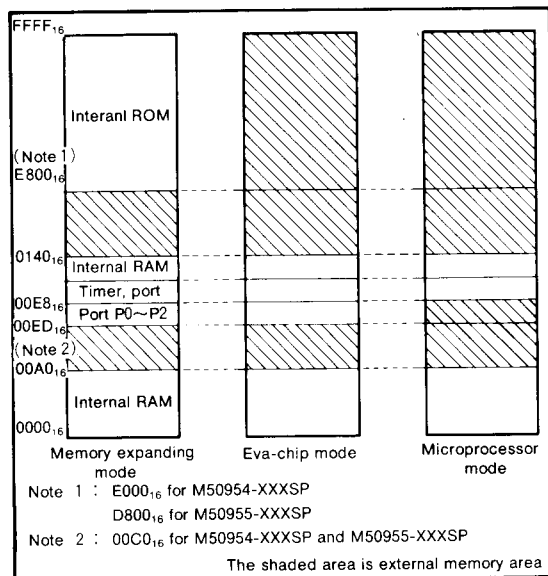


Fig.19 External memory area in processor mode

(1) Single-chip mode [00]

The microcomputer will automatically be in the single-chip mode when started from reset, if CNV_{SS} is connected to V_{SS} . Ports $P0 \sim P3$ will work as original I/O ports.

(2) Memory expanding mode [01]

The microcomputer will be placed in the memory expanding mode when CNV_{SS} is connected to V_{SS} and the processor mode bits are set to "01". This mode is used to add external memory when the internal memory is not sufficient.

The lower 8 bits of address data for port $P0$ is output when ϕ goes to "H" state. When ϕ goes to the "L" state, $P0$ retains its original I/O functions.

Port $P1$'s higher 8 bits of address data are output when ϕ goes to "H" state and as it changes back to the "L" state it retains its original I/O functions. Port $P2$ retains its original output functions while ϕ is at the "H" state, and works as a data bus of $D_7 \sim D_0$ (including instruction code) while at the "L" state. Pins $P3_1$ and $P3_0$ output the SYNC and R/\bar{W} control signals, respectively while ϕ is in the "H" state. When in the "L" state, $P3_1$ and $P3_0$ retain their original I/O function.

The R/\bar{W} output is used to read/write from/to the outside. When this pin is in the "H" state, the CPU reads data, and when in the "L" state, the CPU writes data.

The SYNC is a synchronous signal which goes to the "H" state when it fetches the OP CODE.

(3) Microprocessor mode [10]

After connecting CNV_{SS} to V_{CC} and initiating a reset, the microcomputer will automatically default to this mode.

In this mode, port $P0$ and $P1$ are used as the system address bus and the original function of the I/O pins is lost. Port $P2$ becomes the data bus ($D_7 \sim D_0$) and loses its normal I/O functions. Port $P3_1$ and $P3_0$ become the SYNC and R/\bar{W} pins, respectively and the normal I/O functions are lost.

(4) Eva-chip mode [11]

When 10V is supplied to CNV_{SS} pin, the microcomputer is forced into the eva-chip mode. The main purpose of this mode is to evaluate ROM programs prior to masking them into the microcomputer's internal ROM.

In this mode, the internal ROM is inhibited so the external memory is required.

This mode has almost the same function as the memory expanding mode except that it needs to attach all program memories to the outside.

The relationship between the input level of CNV_{SS} and the processor mode is shown in Table 2.

M50754-XXXSP/FP/GP, M50954-XXXSP/FP/GP, M50955-XXXSP/FP/GP

SINGLE-CHIP 8-BIT CMOS MICROCOMPUTER

	TM ₁	0	0	1	1
	TM ₀	0	1	1	0
Mode					
Port		Single-chip mode	Memory expanding mode	Eva-chip mode	Microprocessor mode
Port P0			Same as left		
Port P1			Same as left		
Port P2			Same as left		
Port P3			Same as left		

Fig.20 Processor mode and functions of ports P0~P3

Table 3 Relationship between CNV_{SS} pin input level and processor mode

CNV _{SS}	Mode	Explanation
V _{SS}	<ul style="list-style-type: none"> • Single-chip mode • Memory expanding mode • Eva-chip mode • Microprocessor mode 	The single-chip mode is set by the reset. All modes can be selected by changing the processor mode bit with the program.
V _{CC}	<ul style="list-style-type: none"> • Eva-chip mode • Microprocessor mode 	The microprocessor mode is set by the reset. Eva-chip mode can be also selected by changing the processor mode bit with the program.
10V	<ul style="list-style-type: none"> • Eva-chip mode 	Eva-chip mode only.

M50754-XXXSP/FP/GP, M50954-XXXSP/FP/GP, M50955-XXXSP/FP/GP

SINGLE-CHIP 8-BIT CMOS MICROCOMPUTER

CLOCK GENERATING CIRCUIT

The M50754-XXXSP has two internal clock generating circuit. Figure 23 shows a block diagram of the clock generating circuit. Normally, the frequency applied to the clock input pin X_{IN} divided by four is used as the internal clock (timing output) ϕ . Bit 7 of serial I/O mode register can be used to switch the internal clock ϕ to 1/2 the frequency applied to the clock input pin X_{CIN} .

Figure 21 shows a circuit example using a ceramic (or crystal) oscillator. Use the manufacturer's recommended values for constants such as capacitance which will differ depending on each oscillator. When using an external clock signal, input from the $X_{IN}(X_{CIN})$ pin and leave the $X_{OUT}(X_{COUT})$ pin open. A circuit example is shown in Figure 22.

The M50754-XXXSP has two low power dissipation modes; stop and wait. The microcomputer enters a stop mode when the STP instruction is executed. The oscillator (both X_{IN} clock and X_{CIN} clock) stops with the internal clock ϕ held at "H" level. In this case timer 2 and timer 3 are forcibly connected and $\phi/4$ is selected as timer 2 input. Also, timer 2 and timer 3 loaded with FF_{16} and 07_{16} respectively to enable the oscillator to stabilize when restarting oscillation. Before executing the STP instruction, the timer 2 count stop bit must be set to supply ("0"), timer 2 interrupt enable bit and timer 3 interrupt enable bit must be set to disable ("0"), and timer 3 interrupt request bit must be set to no request ("0").

Oscillation is resumed (release the stop mode) when INT_1 , INT_2 , or serial I/O interrupt is received. The interrupt enable bit of the interrupt used to release the stop mode must be set to "1". When restarting oscillation with an interrupt, the internal clock ϕ is held "H" until timer 3 overflows and is not supplied to the CPU. When oscillation is restarted by reset, "L" level must be kept to the \overline{RESET} pin until the oscillation stabilizes because no wait time is generated.

The microcomputer enters a wait mode when the WIT instruction is executed. The internal clock ϕ stops at "H" level, but the oscillator does not stop. ϕ is re-supplied (wait mode release) when the microcomputer is reset or when it receives an interrupt. Instructions can be executed immediately because the oscillator is not stopped. The interrupt enable bit of the interrupt used to reset the wait mode must be set to "1" before executing the WIT instruction.

Low power dissipation operation is also achieved when the X_{IN} clock is stopped and the internal clock ϕ is generated from the X_{CIN} clock ($200\mu A(\max.)$ at $f(X_{CIN}) = 32kHz$). X_{IN} clock oscillation is stopped when the bit 6 of serial I/O mode register (address $00F6_{16}$) is set and restarted when it is cleared. However, the wait time until the oscillation stabilizes must be generated with a program when restarting. An "L" level must be kept to the \overline{RESET} pin until the oscillation stabilizes when resetting while the X_{IN} clock is stopped. Figure 24 shows the transition of states for the system clock.

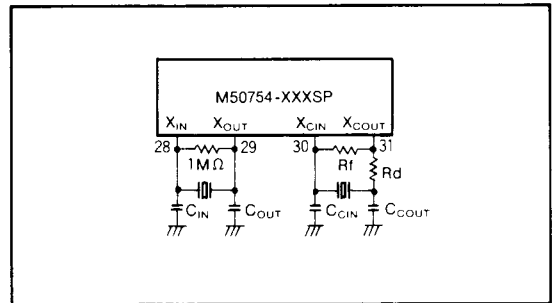


Fig.21 Example ceramic resonator circuit

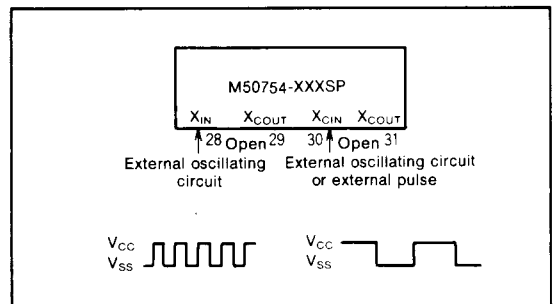


Fig.22 Example clock input circuit

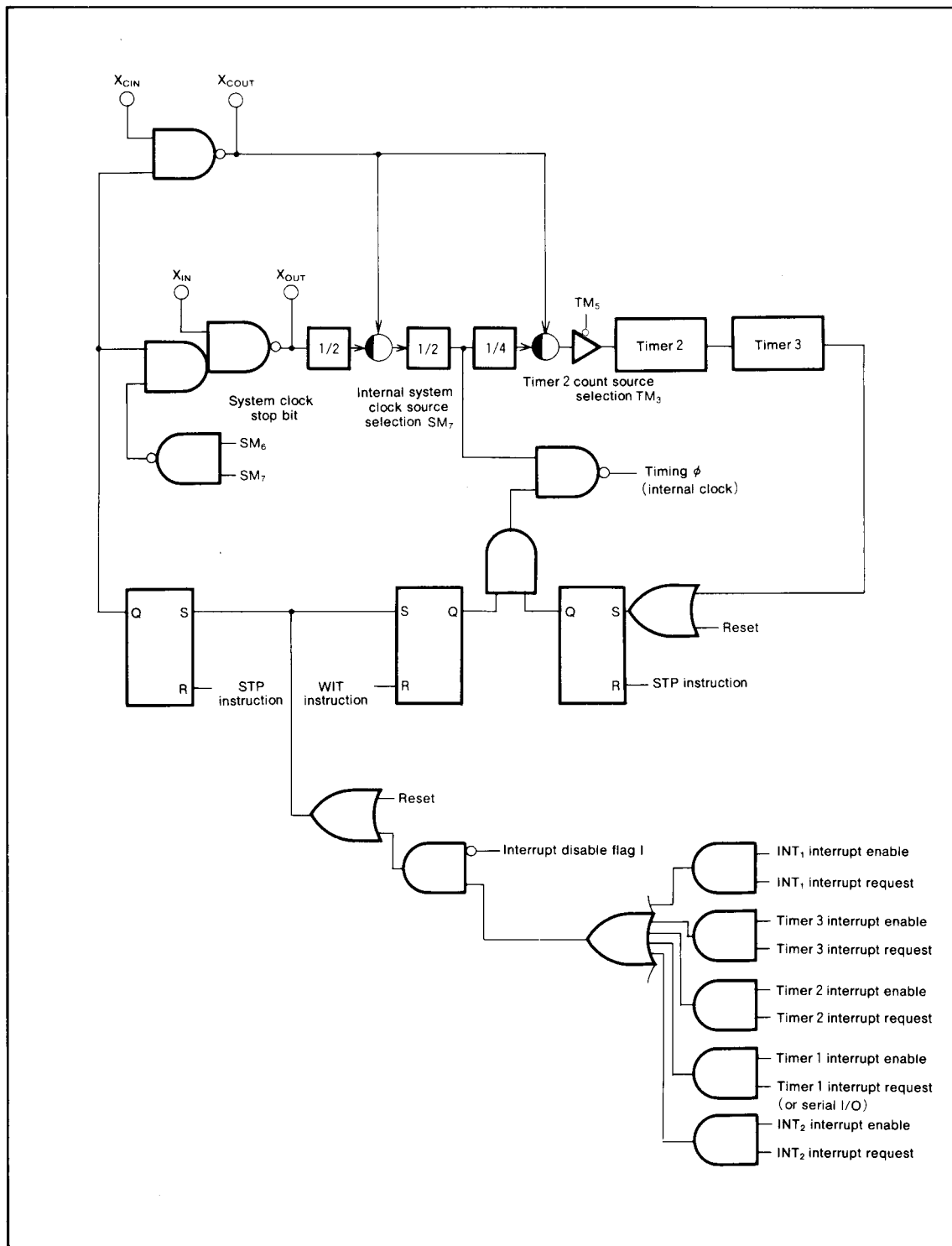


Fig.23 Block diagram of clock generating circuit

MITSUBISHI MICROCOMPUTERS
M50754-XXXSP/FP/GP, M50954-XXXSP/FP/GP,
M50955-XXXSP/FP/GP

SINGLE-CHIP 8-BIT CMOS MICROCOMPUTER

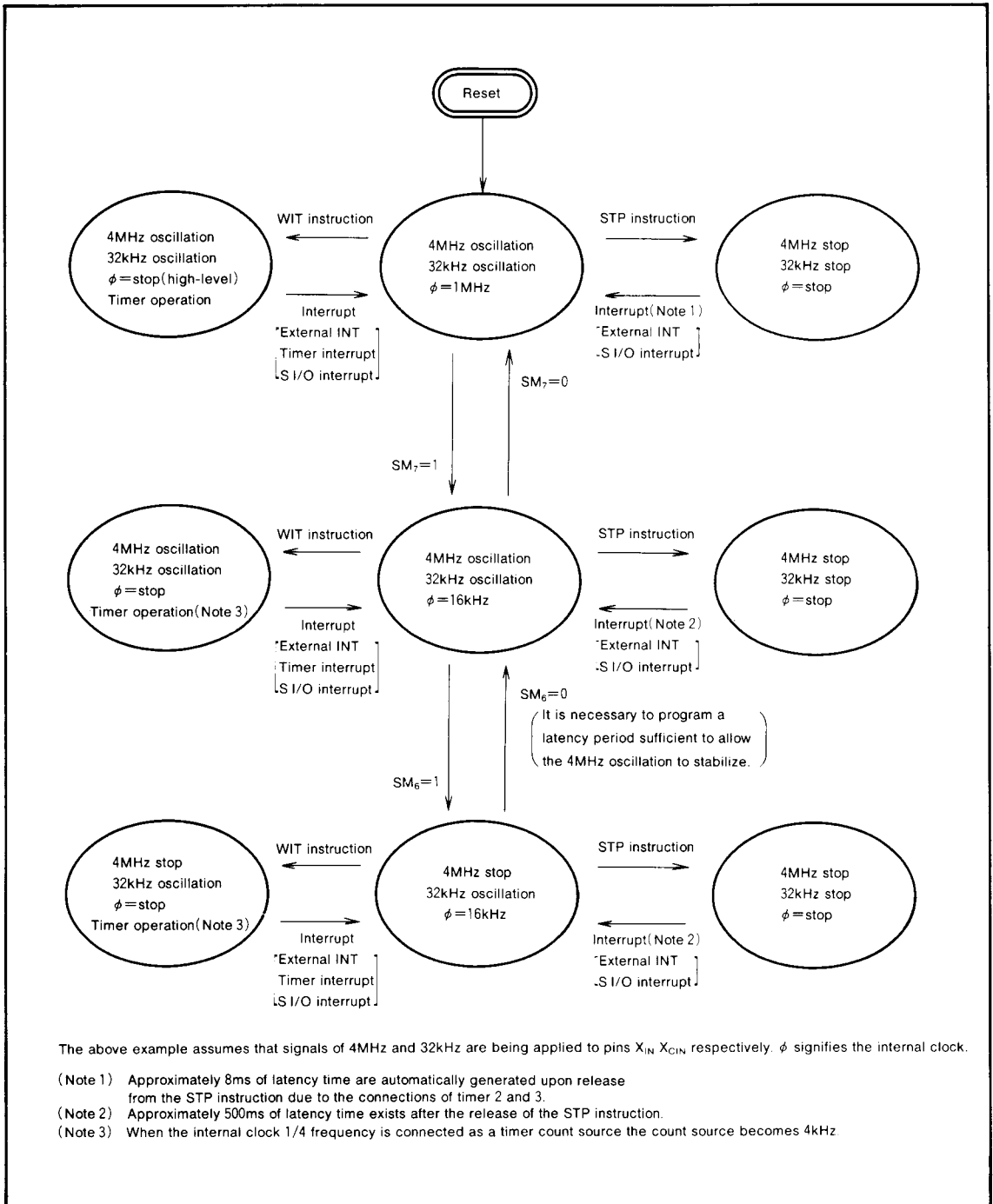
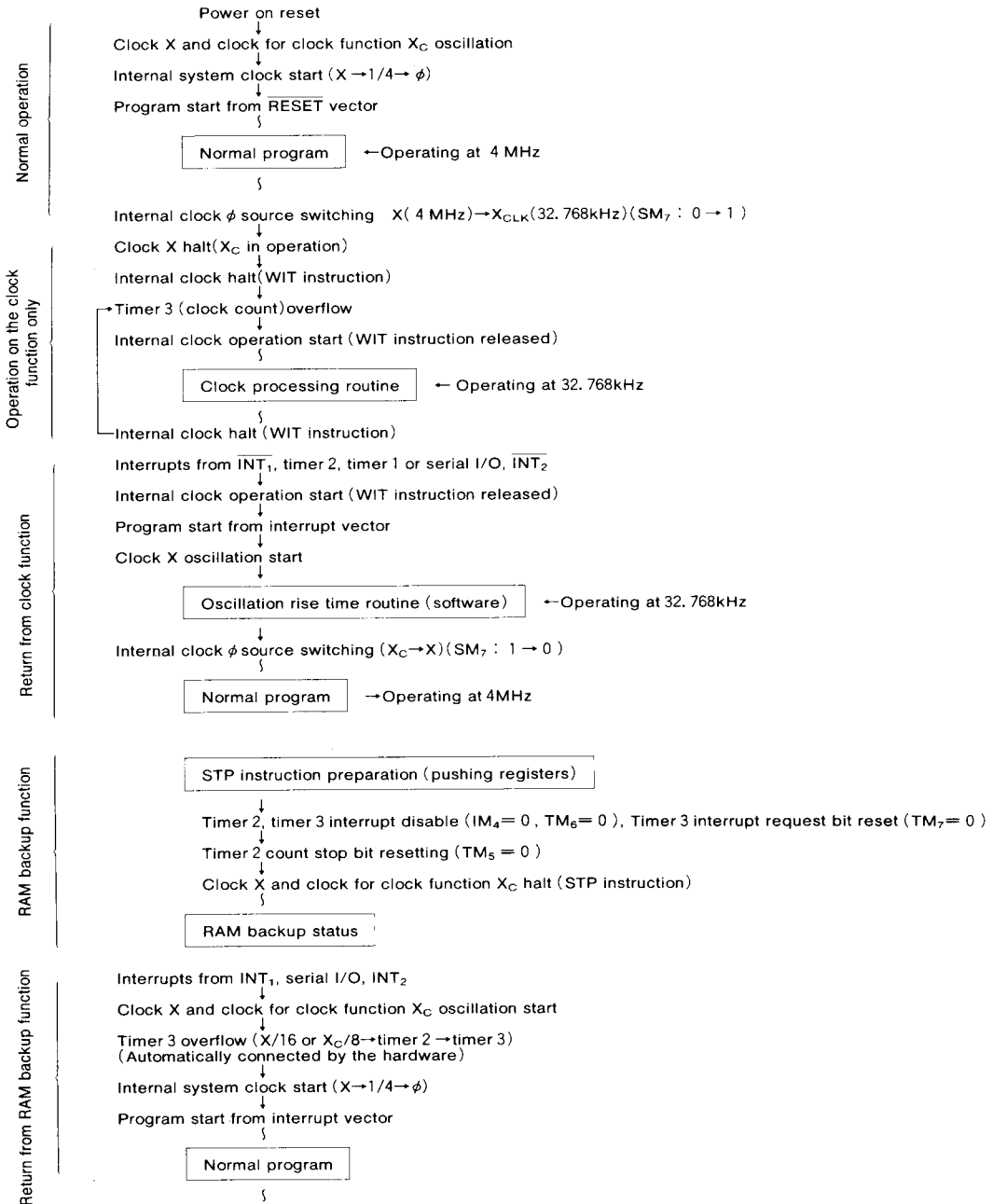


Fig.24 Transition of states for the system clock

**M50754-XXXSP/FP/GP, M50954-XXXSP/FP/GP,
M50955-XXXSP/FP/GP**

SINGLE-CHIP 8-BIT CMOS MICROCOMPUTER

<An example of flow for system>



**M50754-XXXSP/FP/GP, M50954-XXXSP/FP/GP,
M50955-XXXSP/FP/GP**

SINGLE-CHIP 8-BIT CMOS MICROCOMPUTER

PROGRAMMING NOTES

- (1) The frequency ratio of the timer and the prescaler is $1/(n+1)$.
- (2) Even though the BBC and BBS instructions are executed after the interrupt request bits are modified (by the program), those instructions are only valid for the contents before the modification. Also, at least one instruction cycle must be used (such as a NOP) between the modification of the interrupt request bits and the execution of the BBC and BBS instructions.
- (3) When $\phi/4$ or it divided by timer are used as clock for timer, the contents of the timer can be read at voluntary timing.
However, when an other clock (except above clocks) is input to timer, read the contents of timer either while the input of the timer is not changing or after timer count is stopped.
- (4) After the ADC and SBC instructions are executed (in decimal mode), one instruction cycle (such as a NOP) is needed before the SEC, CLC, or CLD instructions are executed.
- (5) A NOP instruction must be used after the execution of a PLP instruction.

DATA REQUIRED FOR MASK ORDERING

Please send the following data for mask orders.

- (1) mask ROM confirmation form.
- (2) mark specification form.
- (3) ROM data EPROM 3sets.

Write the following option on the mask ROM confirmation form.

- ϕ output stop option.

**M50754-XXXSP/FP/GP, M50954-XXXSP/FP/GP,
M50955-XXXSP/FP/GP**

SINGLE-CHIP 8-BIT CMOS MICROCOMPUTER

ABSOLUTE MAXIMUM RATINGS

Symbol	Parameter	Conditions	Ratings	Unit
V _{CC}	Supply voltage		-0.3~7	V
V _P	Pull-down input voltage		V _{CC} -40~V _{CC} +0.3	V
V _I	Input voltage, P2 ₀ ~P2 ₇ , P3 ₀ ~P3 ₇ , CNV _{SS} , P5 ₂ /INT ₂ , P5 ₃ /INT ₁		-0.3~13	V
V _I	Input voltage, RESET, X _{IN} , X _{CIN}	With respect to V _{SS} .	-0.3~7	V
V _I	Input voltage, P6 ₀ ~P6 ₅	Output transistors cut-off.	-0.3~V _{CC} +0.3	V
V _I	Input voltage, P5 ₄ ~P5 ₇		-0.3~13	V
V _O	Output voltage, P2 ₀ ~P2 ₇ , P3 ₀ ~P3 ₇		-0.3~13	V
V _O	Output voltage, P6 ₀ ~P6 ₅ , X _{OUT} , X _{COUT} , φ		-0.3~V _{CC} +0.3	V
V _O	Output voltage, P0 ₀ ~P0 ₇ , P1 ₀ ~P1 ₇ , P4 ₀ ~P4 ₇ , P5 ₀ , P5 ₁		V _{CC} -40~V _{CC} +0.3	V
P _d	Power dissipation	T _a = 25°C	1000 (Note 1)	mW
T _{opr}	Operating temperature		-10~70	°C
T _{stg}	Storage temperature		-40~125	°C

Note 1 : 600mW for QFP types.

RECOMMENDED OPERATING CONDITIONS (V_{CC}=5V±10%, T_a=-10~70°C, unless otherwise noted)

Symbol	Parameter	Limits			Unit	
		Min.	Nom.	Max.		
V _{CC}	Supply voltage	f _{XIN} = 4.2MHz	4	5	5.5	V
		f _{XIN} = less than 1MHz	3	5	5.5	V
V _P	Pull-down supply voltage		V _{CC} -38	V _{CC}	V	
V _{SS}	Supply voltage		0		V	
V _{IH}	"H" input voltage P2 ₀ ~P2 ₇ , P3 ₀ ~P3 ₇ , CNV _{SS} (Note 2) P5 ₂ /INT ₂ , P5 ₃ /INT ₁ , P6 ₀ ~P6 ₅		0.75V _{CC}	V _{CC}	V	
V _{IH}	"H" input voltage RESET, X _{IN} , X _{CIN}		0.8V _{CC}	V _{CC}	V	
V _{IH}	"H" input voltage P5 ₄ ~P5 ₇		0.4V _{CC}	V _{CC}	V	
V _{IL}	"L" input voltage P2 ₀ ~P2 ₇ , P3 ₀ ~P3 ₇ , CNV _{SS} P5 ₂ /INT ₂ , P5 ₃ /INT ₁ , P6 ₀ ~P6 ₅		0	0.25V _{CC}	V	
V _{IL}	"L" input voltage RESET		0	0.12V _{CC}	V	
V _{IL}	"L" input voltage X _{IN} , X _{CIN}		0	0.16V _{CC}	V	
V _{IL}	"L" input voltage P5 ₄ ~P5 ₇		0	0.12V _{CC}	V	
I _{OH(sum)}	"H" sum output current P0 ₀ ~P0 ₇ , P1 ₀ ~P1 ₇ , P4 ₀ ~P4 ₇ , P5 ₀ , P5 ₁			-120	mA	
I _{OH(sum)}	"H" sum output current P6 ₀ ~P6 ₅			-5	mA	
I _{OL(sum)}	"L" sum output current P2 ₀ ~P2 ₇ , P3 ₀ ~P3 ₇			50	mA	
I _{OL(sum)}	"L" sum output current P6 ₀ ~P6 ₅			5	mA	
I _{OH(peak)}	"H" peak output current P0 ₀ ~P0 ₄			-30	mA	
I _{OH(peak)}	"H" peak output current P0 ₅ ~P0 ₇ , P1 ₀ ~P1 ₇			-30	mA	
I _{OH(peak)}	"H" peak output current P4 ₀ ~P4 ₇ , P5 ₀ , P5 ₁			-30	mA	
I _{OH(peak)}	"H" peak output current P6 ₀ ~P6 ₅			-3	mA	
I _{OL(peak)}	"L" peak output current P2 ₀ ~P2 ₇ , P3 ₀ ~P3 ₇			15	mA	
I _{OL(peak)}	"L" peak output current P6 ₀ ~P6 ₅			3	mA	
I _{OH(avg)}	"H" average output current P0 ₀ ~P0 ₇ , P1 ₀ ~P1 ₇ (Note7)			-12	mA	
I _{OH(avg)}	"H" average output current P4 ₀ ~P4 ₇ , P5 ₀ , P5 ₁			-12	mA	
I _{OH(avg)}	"H" average output current P6 ₀ ~P6 ₅			-1.5	mA	
I _{OL(avg)}	"L" average output current P2 ₀ ~P2 ₇ , P3 ₀ ~P3 ₇			10	mA	
I _{OL(avg)}	"L" average output current P6 ₀ ~P6 ₅			1.5	mA	
f _(XIN)	Clock input oscillating frequency (Note 3, 4, 6)			4.2	MHz	
f _(XCIN)	Clock oscillating frequency for clock function			500	KHz	

Note 2 : High-level input voltage of up to +12V may be applied to permissible for ports P2₀~P2₇, P3₀~P3₇, CNV_{SS}, and P5₂~P5₇.

3 : Oscillation frequency is at 50% duty cycle.

4 : When used in the low-speed mode, the timer clock input frequency should be f_(XIN) < f_(XIN)/3.

5 : When external clock input is used, the timer clock input frequency should be f_(XCIN) ≤ 50kHz.

6 : The average output current I_{OL(peak)} and I_{OH(peak)} are in period of 100ms.

7 : -18mA for M50954-XXXSP, M50955-XXXSP.

M50754-XXXSP/FP/GP, M50954-XXXSP/FP/GP, M50955-XXXSP/FP/GP

SINGLE-CHIP 8-BIT CMOS MICROCOMPUTER

ELECTRICAL CHARACTERISTICS ($V_{CC} = 5V \pm 10\%$, $V_{SS} = 0V$, $T_a = 25^\circ C$, $f_{(X_{IN})} = 4MHz$, unless otherwise noted)

Symbol	Parameter	Test conditions	Limits			Unit
			Min.	Typ.	Max.	
V_{OH}	"H" output voltage P6 ₀ ~P6 ₅	$I_{OH} = -0.5mA$	$V_{CC} - 0.4$			V
V_{OH}	"H" output voltage ϕ	$I_{OH} = -2.5mA$	$V_{CC} - 2$			V
V_{OH}	"H" output voltage P0 ₀ ~P0 ₇ , P1 ₀ ~P1 ₇	$I_{OH} = -12mA$ (M50754-XXXSP)	$V_{CC} - 2$			V
V_{OH}	"H" output voltage P0 ₀ ~P0 ₇ , P1 ₀ ~P1 ₇	$I_{OH} = -18mA$ (M50954-XXXSP, M50955-XXXSP)	$V_{CC} - 2$			V
V_{OH}	"H" output voltage P4 ₀ ~P4 ₇ , P5 ₀ , P5 ₁	$I_{OH} = -12mA$	$V_{CC} - 2$			V
V_{OL}	"L" output voltage P2 ₀ ~P2 ₇ , P3 ₀ ~P3 ₇	$I_{OL} = 10mA$			2	V
V_{OL}	"L" output voltage P6 ₀ ~P6 ₅	$I_{OL} = 0.5mA$			0.4	V
V_{OL}	"L" output voltage ϕ	$I_{OL} = 2.5mA$			2	V
$V_{T+} - V_{T-}$	Hysteresis P5 ₂ /INT ₂ , P5 ₃ /INT ₁		0.3		1	V
$V_{T+} - V_{T-}$	Hysteresis RESET			0.5	0.7	V
$V_{T+} - V_{T-}$	Hysteresis P3 ₆	When used as CLK input	0.3		1	V
$V_{T+} - V_{T-}$	Hysteresis X _{IN}		0.1		0.5	V
I_{IL}	"L" input current P2 ₀ ~P2 ₇ , P3 ₀ ~P3 ₇	$V_i = 0V$			-5	μA
I_{IL}	"L" input current P6 ₀ ~P6 ₅	$V_i = 0V$			-5	μA
I_{IL}	"L" input current P5 ₄ ~P5 ₇	$V_i = 0V$			-5	μA
I_{IL}	"L" input current RESET, X _{IN} , X _{CIN}	$V_i = 0V$			-5	μA
I_{IL}	"L" input current P5 ₂ /INT ₂ , P5 ₃ /INT ₁	$V_i = 0V$			-5	μA
I_{IH}	"H" input current P2 ₀ ~P2 ₇ , P3 ₀ ~P3 ₇	$V_i = 5V$			5	μA
I_{IH}	"H" input current P6 ₀ ~P6 ₅	$V_i = 12V$			12	μA
I_{IH}	"H" input current P5 ₄ ~P5 ₇	$V_i = 5V$			5	μA
I_{IH}	"H" input current P5 ₄ ~P5 ₇	$V_i = 12V$			12	μA
I_{IH}	"H" input current RESET, X _{IN} , X _{CIN}	$V_i = 5V$			5	μA
I_{IH}	"H" input current P5 ₂ /INT ₂ , P5 ₃ /INT ₁	$V_i = 5V$			5	μA
I_{IH}	"H" input current P5 ₂ /INT ₂ , P5 ₃ /INT ₁	$V_i = 12V$			12	μA
I_{OL}	"L" output current P0 ₀ ~P0 ₇ , P1 ₀ ~P1 ₇ , P4 ₀ ~P4 ₇ , P5 ₀ , P5 ₁	$V_P = V_{CC} - 36V$, $V_{OL} = V_{CC}$ $V_P = V_{CC} - 36V$, $V_{OL} = V_{CC} - 36V$	150	500	900	μA
I_{OL}	"L" output current P0 ₀ ~P0 ₇ , P1 ₀ ~P1 ₇ , P4 ₀ ~P4 ₇ , P5 ₀ , P5 ₁	$V_P = V_{CC} - 36V$, $V_{OL} = V_{CC} - 36V$			30	μA
V_{RAM}	RAM retention voltage	At clock stop	2		5.5	V
I_{CC}	Supply current	Output pins open (output OFF) $V_P = V_{CC}$, $V_P = V_{SS}$ Input and I/O pins all at V_{SS} $X_{IN} = 4MHz$ (system operation)		3	6	mA
		Ditto (at wait mode)		1		mA
		X _{IN} - X _{OUT} stop X _{CIN} = 32kHz (at system operation) all other conditions same as above.		60	200	μA
		Ditto (at wait mode)		40		μA
		Oscillation all stopped, (at STOP mode)	$T_a = 25^\circ C$ $T_a = 70^\circ C$		1	10

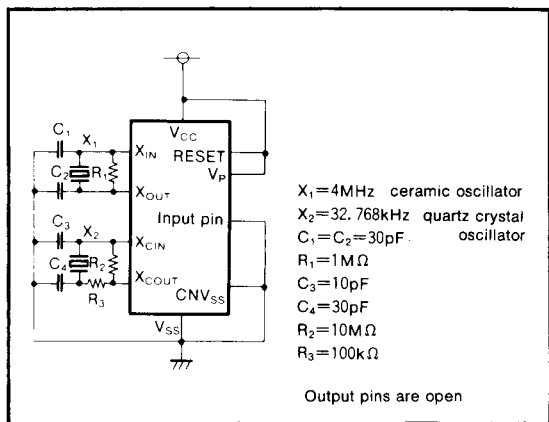


Fig.25 Supply current test circuit

**M50754-XXXSP/FP/GP, M50954-XXXSP/FP/GP,
M50955-XXXSP/FP/GP**

SINGLE-CHIP 8-BIT CMOS MICROCOMPUTER

TIMING REQUIREMENTS

Single-chip mode ($V_{CC} = 5V \pm 10\%$, $V_{SS} = 0V$, $T_a = 25^\circ C$, $f_{(X_{IN})} = 4MHz$, unless otherwise noted)

Symbol	Parameter	Limits			Unit
		Min.	Typ.	Max.	
$t_{SU}(\phi-P2D-\phi)$	Port P2 input set-up time	270			ns
$t_{SU}(\phi-P3D-\phi)$	Port P3 input set-up time	270			ns
$t_{SU}(\phi-P5D-\phi)$	Port P5 ₂ /INT ₂ , P5 ₃ /INT ₁ input set-up time	270			ns
$t_{SU}(\phi-P5D-\phi)$	Port P5 ₄₋₇ input set-up time	500			ns
$t_{SU}(\phi-P6D-\phi)$	Port P6 input set-up time	270			ns
$t_h(\phi-P2D)$	Port P2 input hold time	20			ns
$t_h(\phi-P3D)$	Port P3 input hold time	20			ns
$t_h(\phi-P5D)$	Port P5 ₂ /INT ₂ , P5 ₃ /INT ₁ input hold time	20			ns
$t_h(\phi-P5D)$	Port P5 ₄₋₇ input hold time	50			ns
$t_h(\phi-P6D)$	Port P6 input hold time	20			ns
$t_{C(X_{IN})}$	External clock input cycle time (X_{IN} input)	235			ns
$t_{W(X_{IN})}$	External clock input pulse width (X_{IN} input)	75			ns
$t_{C(X_{CIN})}$	External clock input cycle time (X_{CIN})	2.0			ms
$t_{W(X_{CIN})}$	External clock input pulse width (X_{CIN})	1.0			ms
t_r	External clock rise time			25	ns
t_f	External clock fall time			25	ns

Memory expanding mode and eva-chip mode

($V_{CC} = 5V \pm 10\%$, $V_{SS} = 0V$, $T_a = 25^\circ C$, $f_{(X_{IN})} = 4MHz$, unless otherwise noted)

Symbol	Parameter	Limits			Unit
		Min.	Typ.	Max.	
$t_{SU}(\phi-P2D-\phi)$	Port P2 input set-up time	270			ns
$t_h(\phi-P2D)$	Port P2 input hold time	20			ns

Microprocessor mode ($V_{CC} = 5V \pm 10\%$, $V_{SS} = 0V$, $T_a = 25^\circ C$, $f_{(X_{IN})} = 4MHz$, unless otherwise noted)

Symbol	Parameter	Limits			Unit
		Min.	Typ.	Max.	
$t_{SU}(\phi-P2D-\phi)$	Port P2 input setup time	270			ns
$t_h(\phi-P2D)$	Port P2 input hold time	20			ns

M50754-XXXSP/FP/GP, M50954-XXXSP/FP/GP, M50955-XXXSP/FP/GP

SINGLE-CHIP 8-BIT CMOS MICROCOMPUTER

SWITCHING CHARACTERISTICS

Single-chip mode ($V_{CC} = 5V \pm 10\%$, $V_{SS} = 0V$, $T_a = 25^\circ C$, $f_{XIN} = 4MHz$, unless otherwise noted)

Symbol	Parameter	Test conditions	Limits			Unit
			Min.	Typ.	Max.	
$t_{d(\phi-P0Q)}$	Port P0 data output delay time	Fig. 27			230	ns
$t_{d(\phi-P1Q)}$	Port P1 data output delay time				230	ns
$t_{d(\phi-P2Q)}$	Port P2 data output delay time				230	ns
$t_{d(\phi-P3Q)}$	Port P3 data output delay time	Fig. 26			230	ns
$t_{d(\phi-P4Q)}$	Port P4 data output delay time				230	ns
$t_{d(\phi-P5Q)}$	Port P5 data output delay time	Fig. 27			230	ns
$t_{d(\phi-P6Q)}$	Port P6 data output delay time				230	ns

Memory expanding mode and eva-chip mode

($V_{CC} = 5V \pm 10\%$, $V_{SS} = 0V$, $T_a = 25^\circ C$, $f_{XIN} = 4MHz$, unless otherwise noted)

Symbol	Parameter	Test conditions	Limits			Unit
			Min.	Typ.	Max.	
$t_{d(\phi-P0A)}$	Port P0 address output delay time	Fig.26			250	ns
$t_{d(\phi-P0AF)}$	Port P0 address output delay time				250	ns
$t_{d(\phi-P0Q)}$	Port P0 data output delay time				200	ns
$t_{d(\phi-P0QF)}$	Port P0 data output delay time				200	ns
$t_{d(\phi-P1A)}$	Port P1 address output delay time				250	ns
$t_{d(\phi-P1AF)}$	Port P1 address output delay time				250	ns
$t_{d(\phi-P1Q)}$	Port P1 data output delay time				200	ns
$t_{d(\phi-P1QF)}$	Port P1 data output delay time				200	ns
$t_{d(\phi-P2Q)}$	Port P2 data output delay time				300	ns
$t_{d(\phi-P2QF)}$	Port P2 data output delay time				300	ns
$t_{d(\phi-R/W)}$	R/W signal output delay time				250	ns
$t_{d(\phi-R/WF)}$	R/W signal output delay time				250	ns
$t_{d(\phi-P3Q)}$	Port P3 ₀ data output delay time				200	ns
$t_{d(\phi-P3QF)}$	Port P3 ₀ data output delay time				200	ns
$t_{d(\phi-SYNC)}$	SYNC signal output delay time				250	ns
$t_{d(\phi-SYNCF)}$	SYNC signal output delay time				250	ns
$t_{d(\phi-P31Q)}$	Port P3 ₁ data output delay time				200	ns
$t_{d(\phi-P31QF)}$	Port P3 ₁ data output delay time				200	ns

Microprocessor mode ($V_{CC} = 5V \pm 10\%$, $V_{SS} = 0V$, $T_a = 25^\circ C$, $f_{XIN} = 4MHz$, unless otherwise noted)

Symbol	Parameter	Test conditions	Limits			Unit
			Min.	Typ.	Max.	
$t_{d(\phi-P0A)}$	Port P0 address output delay time	Fig.26			250	ns
$t_{d(\phi-P1A)}$	Port P1 address output delay time				250	ns
$t_{d(\phi-P2Q)}$	Port P2 data output delay time				300	ns
$t_{d(\phi-P2QF)}$	Port P2 data output delay time				300	ns
$t_{d(\phi-R/W)}$	R/W signal output delay time				250	ns
$t_{d(\phi-SYNC)}$	SYNC signal output delay time				250	ns

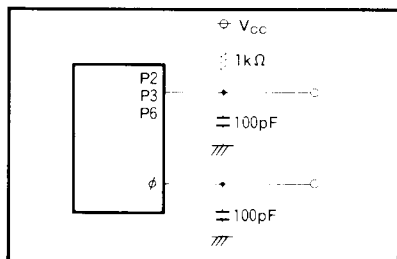


Fig.26 Port P2, P3, P6 test circuit

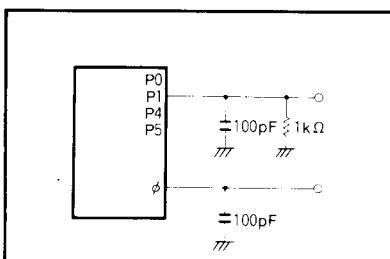
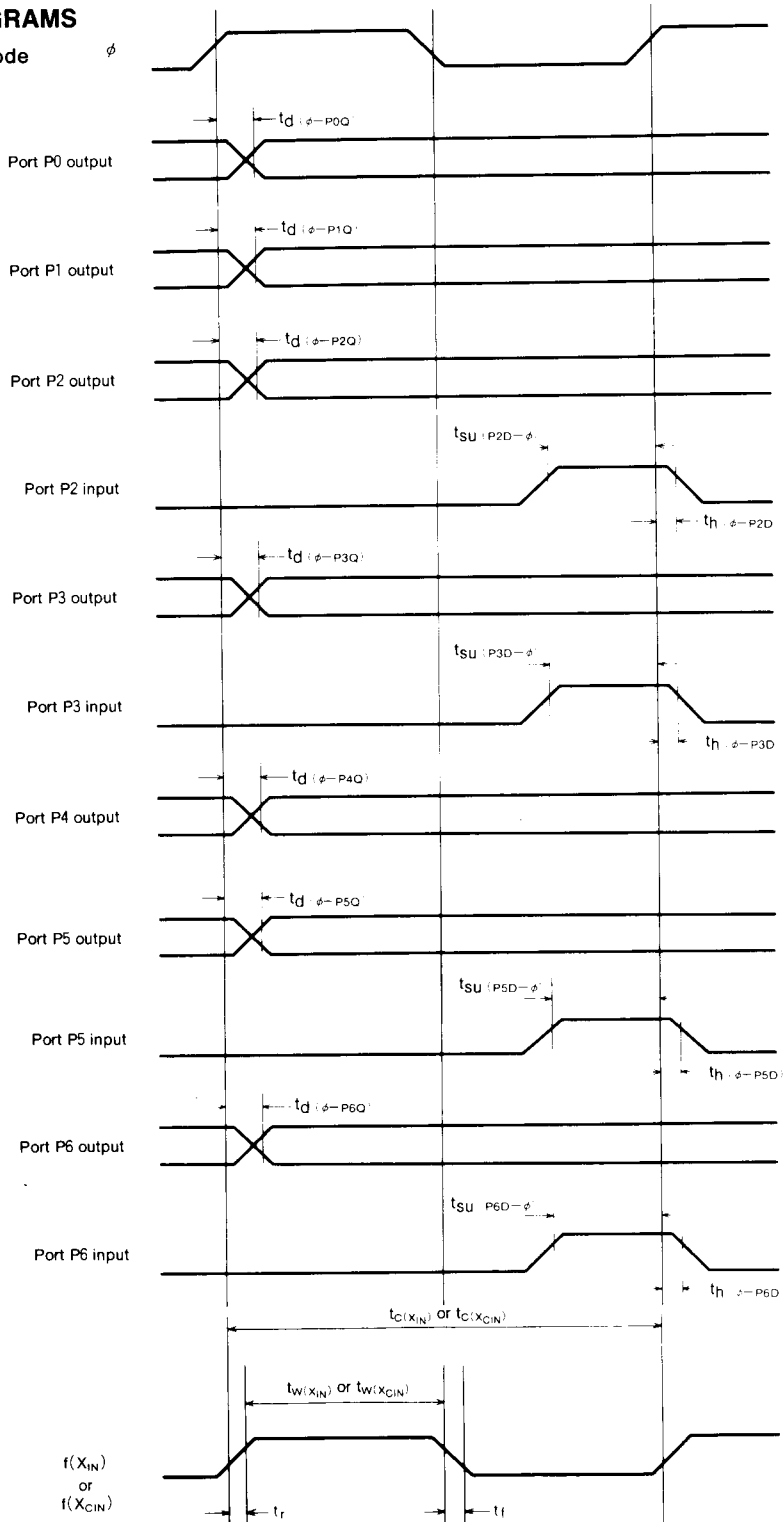


Fig.27 Port P0, P1, P4, P5 test circuit

TIMING DIAGRAMS

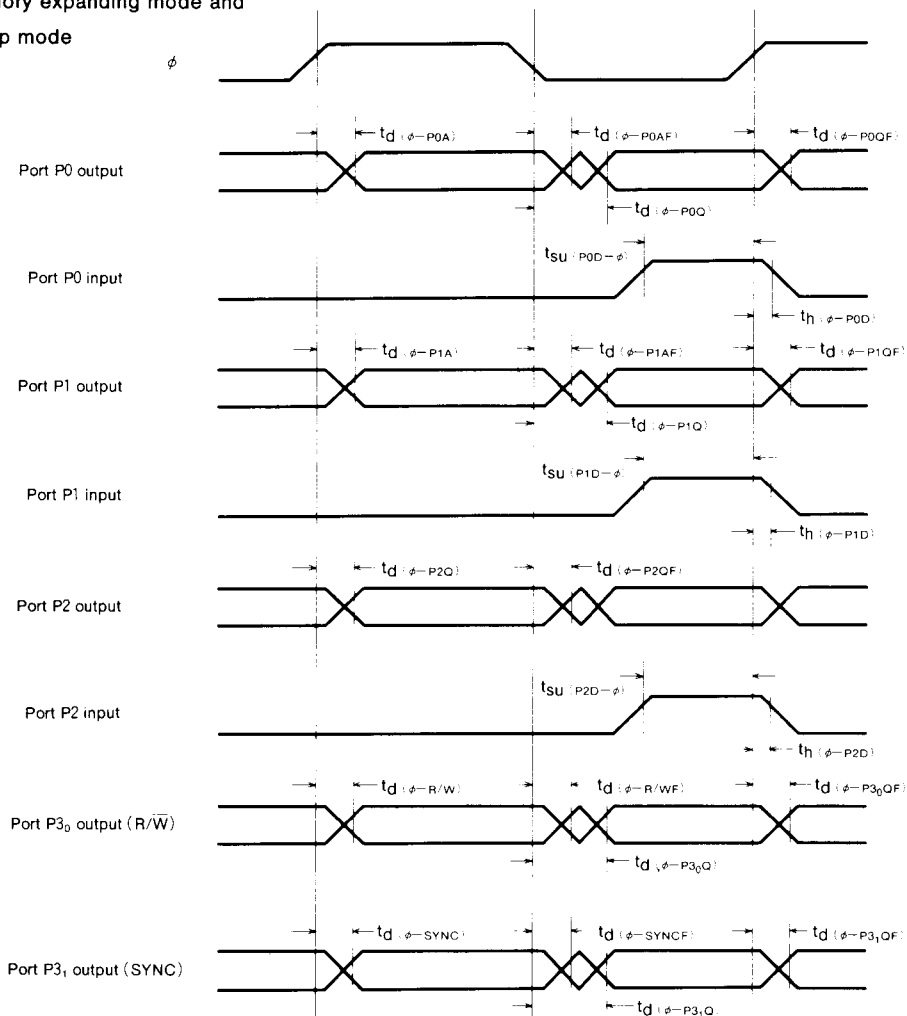
In single-chip mode



M50754-XXXSP/FP/GP, M50954-XXXSP/FP/GP, M50955-XXXSP/FP/GP

SINGLE-CHIP 8-BIT CMOS MICROCOMPUTER

In memory expanding mode and
Eva-chip mode



**M50754-XXXSP/FP/GP, M50954-XXXSP/FP/GP,
M50955-XXXSP/FP/GP**

SINGLE-CHIP 8-BIT CMOS MICROCOMPUTER

In microprocessor mode

