

Electronic Metal Halide Ballasts for 50 Watt Lamps

One ballast for all voltages from 120V through 277V!

NAIS DCP™ (Dual Constant Power) Electronic Metal Halide Ballasts for M148 ceramic, approved M110 or equivalent metal halide lamps (50 watt lamps).

This integrated unit replaces the ballast, capacitor, and the ignitor of magnetic ballast systems.

Features and Benefits:

- Excellent line regulations: $\pm 0.5\%$ output variation with $\pm 10\%$ changes in line voltage
- Reduction in visual flicker
- Increases lamp life
- Increased reliability and safety by lamp "Shut-Down Function": (Resets by turning off line power)
- Ease of assembly: only one unit to mount
- Light weight (1.4 lbs.)
- Energy savings: up to 15% vs. magnetic
- Eliminates long term lamp cycling. No need to wait for lamps to cycle to identify replacement
- Sound rated "A" for indoor applications
- Thermally protected
- Transient protection

Product Summary:

Lamp	50W Metal Halide M148 ceramic, approved M110 or Equivalent Lamp		
Input Volts	120V-277V 50/60Hz		
Model Number	M5012-27CK-3EU	M5012-27CK-3EU-F	M5012-27CK-3EU-J
Mounting/Lead Exit	No feet with side leads exit	Feet with side leads exit	Studs with bottom leads exit
Safety	Recognized Component, UL / CUL CE Pending	UL / CUL CE Pending	UL / CUL CE Pending
Lamp Holder	Minimum 4KV Pulse Rated		

Aromat reserves the right to change any of the above performance characteristics without notice.



Shown with side leads, bottom leads also available.

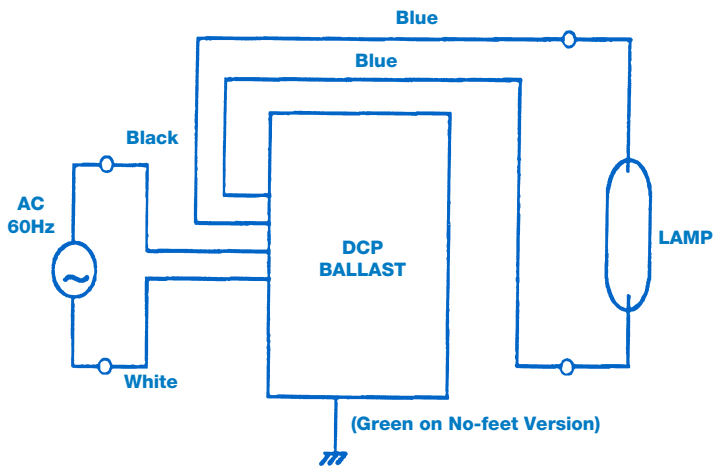
Specifications:

Lamps	50W Metal Halide M148 ceramic, approved M110 or equivalent
Input Voltage	Universal 120-277V 50/60 hertz
Power Factor	High
Input Power	58W
Input Current (Maximum)	120V: 0.49A 230V: 0.25A 277V: 0.21A
Harmonic Distortion	<15%
Lamp Frequency	170 Hertz Square-Wave
EMI/RFI	Complies with FCC 18C, non-consumer limits
Lamp Current Crest Factor	1.2 typical
Safety	UL Outdoor Type 1, suitable for recessed use
Thermal Protection	Functions at approximately 90°C hot spot
Warranty ¹	5 years - maximum case temperature <75°C 3 years - maximum case temperature <80°C
Minimum Lamp Start Temp.	-30°C
Minimum Ballast Temp.	-15°C
Maximum Mounting Distance	15 feet

Note 1: Warranty is based on a maximum operating time of 4000 hours per year. For additional operating hours consult with Aromat Application Engineering.

Note 2: Consult Lamp Manufacturer for lamp compatibility approval.

Wiring Diagram

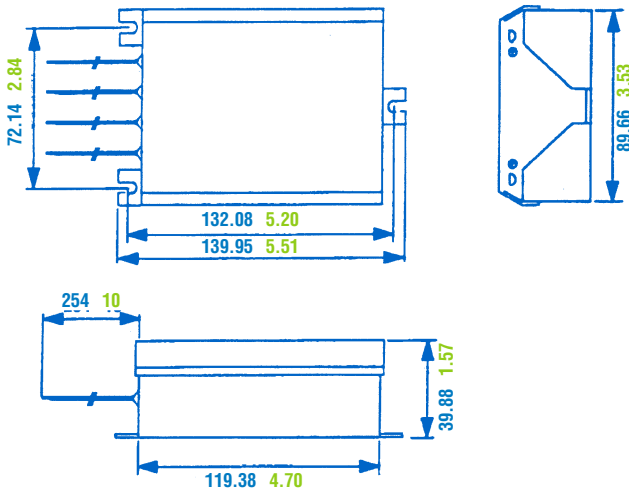


Safety Instructions

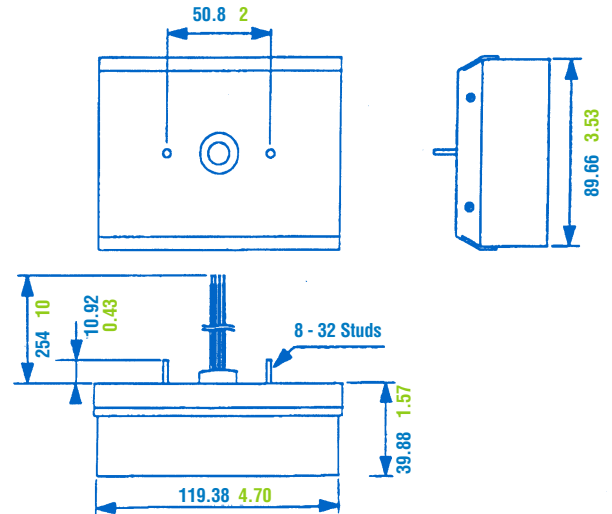
- Always disconnect power to the entire fixture before installation and/or removal of ballasts or controls.
- Ballast case and fixture must be grounded.
- Install per the national and local electric codes.
- Properly dispose of any replaced ballasts and lamps.
- DO NOT connect lamp leads to ground or neutral.

Dimensions - Millimeters / Inches

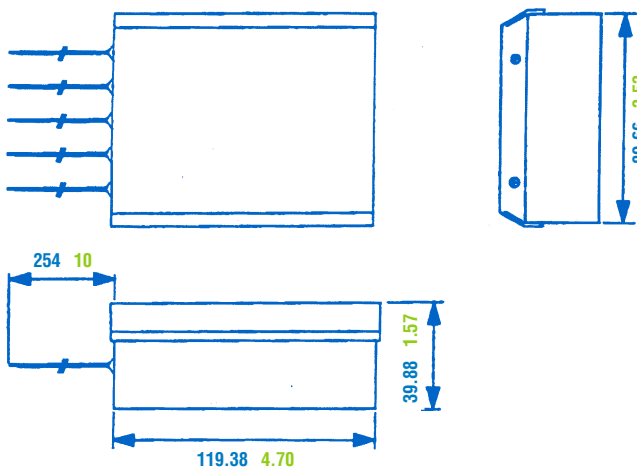
M5012-27CK-3EU-F



M5012-27CK-3EU-J



M5012-27CK-3EU



NOTE:

1. For additional installation and operational information, please refer to the Application Guidelines.

2. Dimensional Tolerances:

Case: $\pm 0.3\text{mm}$ $\pm 0.012''$

Lead Wires: $+50\text{mm}$ $+2''$
 -30mm $-1''$