

### FEATURES

**AD5280: 1 channel**  
**AD5282: 2 channels**  
**256 positions**  
**5 V to 15 V single supply; ±5.5 V dual-supply operation**  
**Fixed terminal resistance: 20 kΩ, 50 kΩ, 200 kΩ**  
**Low temperature coefficient: 30 ppm/°C**  
**Power-on midscale preset<sup>1</sup>**  
**Programmable reset**  
**Operating temperature: -40°C to +85°C**  
**I<sup>2</sup>C-compatible interface**

### APPLICATIONS

**Multimedia, video, and audio**  
**Communications**  
**Mechanical potentiometer replacement**  
**Instrumentation: gain, offset adjustment**  
**Programmable voltage source**  
**Programmable current source**  
**Line impedance matching**

### GENERAL DESCRIPTION

The AD5280/AD5282 are single-channel and dual-channel, 256-position, digitally controlled variable resistors (VRs)<sup>2</sup>. The devices perform the same electronic adjustment function as a potentiometer, trimmer, or variable resistor. Each VR offers a completely programmable value of resistance between the A terminal and the wiper or the B terminal and the wiper. The fixed A-to-B terminal resistance of 20 kΩ, 50 kΩ, or 200 kΩ has a 1% channel-to-channel matching tolerance. The nominal temperature coefficient of both parts is 30 parts per million/degrees centigrade (ppm/°C). Another key feature is that the parts can operate up to +15 V or ±5 V.

Wiper position programming defaults to midscale at system power-on. When powered, the VR wiper position is programmed by an I<sup>2</sup>C-compatible, 2-wire serial data interface. The AD5280/AD5282 feature sleep mode programmability. This allows any level of preset in power-up and is an alternative to a costly EEPROM solution. Both parts have additional programmable

logic outputs that enable users to drive digital loads, logic gates, LED drivers, and analog switches in their system.

The AD5280/AD5282 are available in thin, surface-mounted 14-lead TSSOP and 16-lead TSSOP. All parts are guaranteed to operate over the extended industrial temperature range of -40°C to +85°C. For 3-wire SPI-compatible interface applications, see the AD5260/AD5262 product information on [www.analog.com](http://www.analog.com).

### FUNCTIONAL BLOCK DIAGRAMS

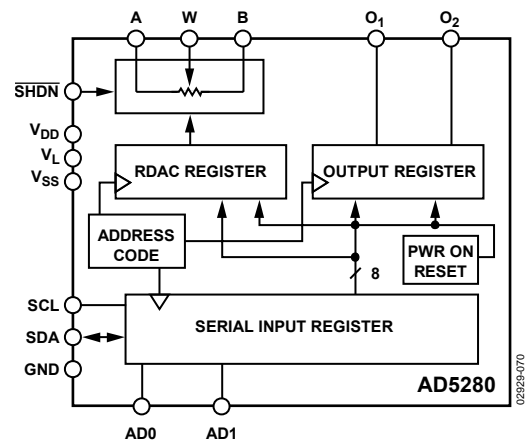


Figure 1. AD5280

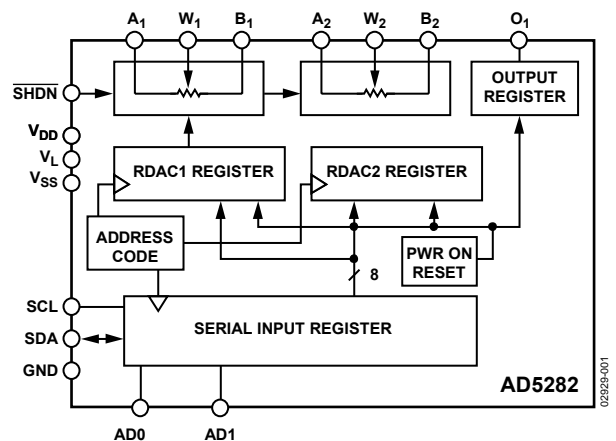


Figure 2. AD5282

<sup>1</sup> Assert shutdown and program the device during power-up, then deassert the shutdown to achieve the desired preset level.

<sup>2</sup> The terms digital potentiometer, VR, and RDAC are used interchangeably.

### Rev. B

Information furnished by Analog Devices is believed to be accurate and reliable. However, no responsibility is assumed by Analog Devices for its use, nor for any infringements of patents or other rights of third parties that may result from its use. Specifications subject to change without notice. No license is granted by implication or otherwise under any patent or patent rights of Analog Devices. Trademarks and registered trademarks are the property of their respective owners.

**TABLE OF CONTENTS**

Features .....	1	Multiple Devices on One Bus .....	17
Applications.....	1	Level Shift for Bidirectional Interface.....	18
General Description .....	1	Level Shift for Negative Voltage Operation .....	18
Functional Block Diagrams.....	1	ESD Protection .....	18
Revision History .....	2	Terminal Voltage Operating Range .....	18
Specifications.....	3	Power-Up Sequence .....	18
Electrical Characteristics .....	3	Layout and Power Supply Bypassing .....	19
Absolute Maximum Ratings.....	5	Applications Information .....	20
Thermal Resistance .....	5	Bipolar DC or AC Operation from Dual Supplies.....	20
ESD Caution.....	5	Gain Control Compensation .....	20
Pin Configurations and Function Descriptions .....	6	15 V, 8-Bit I <sup>2</sup> C DAC.....	20
Typical Performance Characteristics .....	7	8-Bit Bipolar DAC .....	21
Test Circuits.....	12	Bipolar Programmable Gain Amplifier .....	21
Theory of Operation .....	14	Programmable Voltage Source with Boosted Output .....	21
Rheostat Operation .....	14	Programmable Current Source .....	22
Potentiometer Operation.....	14	Programmable Bidirectional Current Source.....	22
Digital Interface .....	16	Programmable Low-Pass Filter .....	23
2-Wire Serial Bus.....	16	Programmable Oscillator .....	23
Readback RDAC Value .....	17	RDAC Circuit Simulation Model.....	24
Additional Programmable Logic Output .....	17	Macro Model Net List for RDAC .....	24
Self-Contained Shutdown Function and Programmable Preset .....	17	Outline Dimensions .....	25
		Ordering Guide .....	26

**REVISION HISTORY****8/07—Rev. A to Rev. B**

Updated Operating Temperature Range Throughout.....	1
Changes to the Features Section .....	1
Changes to the General Description Section.....	1
Changes to Table 2.....	3
Added the Thermal Resistance Section.....	5
Changes to the Ordering Guide.....	26

**11/05—Rev. 0 to Rev. A**

Updated Format.....	Universal
Updated Outline Dimensions .....	26
Changes to Ordering Guide .....	27

**10/02—Revision 0: Initial Version**

# SPECIFICATIONS

## ELECTRICAL CHARACTERISTICS

$V_{DD} = +15\text{ V}$ ,  $V_{SS} = 0\text{ V}$  or  $V_{DD} = +5\text{ V}$ ,  $V_{SS} = -5\text{ V}$ ;  $V_{LOGIC} = 5\text{ V}$ ,  $V_A = +V_{DD}$ ,  $V_B = 0\text{ V}$ ;  $-40^\circ\text{C} < T_A < +85^\circ\text{C}$ , unless otherwise noted.

Table 1.

Parameter	Symbol	Conditions	Min	Typ <sup>1</sup>	Max	Unit
<b>DC CHARACTERISTICS—RHEOSTAT MODE</b>						
Resistor Differential NL <sup>2</sup>	R-DNL	$R_{WB}, V_A = \text{NC}$	-1	$\pm 1/4$	+1	LSB
Resistor Nonlinearity <sup>2</sup>	R-INL	$R_{WB}, V_A = \text{NC}$	-1	$\pm 1/4$	+1	LSB
Nominal Resistor Tolerance <sup>3</sup>	$\Delta R_{AB}$	$T_A = 25^\circ\text{C}$	-30		+30	%
Resistance Temperature Coefficient	$(\Delta R_{AB}/R_{AB})/\Delta T \times 10^6$	$V_{AB} = V_{DD}$ , wiper = no connect		30		ppm/ $^\circ\text{C}$
Wiper Resistance	$R_W$	$I_W = V_{DD}/R$ , $V_{DD} = 3\text{ V}$ or $5\text{ V}$		60	150	$\Omega$
<b>DC CHARACTERISTICS—POTENTIOMETER DIVIDER MODE (specifications apply to all VRs)</b>						
Resolution	N		8			Bits
Integral Nonlinearity <sup>4</sup>	INL		-1	$\pm 1/4$	+1	LSB
Differential Nonlinearity <sup>4</sup>	DNL		-1	$\pm 1/4$	+1	LSB
Voltage Divider Temperature Coefficient	$(\Delta V_W/V_W)/\Delta T \times 10^6$	Code = 0x80		5		ppm/ $^\circ\text{C}$
Full-Scale Error	$V_{WFSE}$	Code = 0xFF	-2	-1	0	LSB
Zero-Scale Error	$V_{WZSE}$	Code = 0x00	0	+1	+2	LSB
<b>RESISTOR TERMINALS</b>						
Voltage Range <sup>5</sup>	$V_A, V_B, V_W$		$V_{SS}$		$V_{DD}$	V
Capacitance A, B <sup>6</sup>	$C_A, C_B$	$f = 5\text{ MHz}$ , measured to GND, Code = 0x80		25		pF
Capacitance W <sup>6</sup>	$C_W$	$f = 1\text{ MHz}$ , measured to GND, Code = 0x80		55		pF
Common-Mode Leakage Shutdown Current	$I_{CM}$ $I_{SHDN}$	$V_A = V_B = V_W$		1	5	nA $\mu\text{A}$
<b>DIGITAL INPUTS AND OUTPUTS</b>						
Input Logic High	$V_{IH}$		$0.7 \times V_L$		$V_L + 0.5$	V
Input Logic Low	$V_{IL}$		0		$0.3 \times V_L$	V
Output Logic High ( $O_1, O_2$ )	$V_{IH}$		4.9			V
Output Logic Low ( $O_1, O_2$ )	$V_{IL}$				0.4	V
Input Current	$I_{IL}$	$V_{IN} = 0\text{ V}$ or $5\text{ V}$			$\pm 1$	$\mu\text{A}$
Input Capacitance <sup>6</sup>	$C_{IL}$			5		pF
<b>POWER SUPPLIES</b>						
Logic Supply	$V_{LOGIC}$		2.7		$V_{DD}$	V
Power Single-Supply Range	$V_{DD\text{ RANGE}}$	$V_{SS} = 0\text{ V}$	4.5		16.5	V
Power Dual-Supply Range	$V_{DD/SS\text{ RANGE}}$		$\pm 4.5$		$\pm 5.5$	V
Logic Supply Current	$I_{LOGIC}$	$V_{LOGIC} = 5\text{ V}$			60	$\mu\text{A}$
Positive Supply Current	$I_{DD}$	$V_{IH} = 5\text{ V}$ or $V_{IL} = 0\text{ V}$		0.1	1	$\mu\text{A}$
Negative Supply Current	$I_{SS}$			0.1	1	$\mu\text{A}$
Power Dissipation <sup>7</sup>	$P_{DISS}$	$V_{IH} = 5\text{ V}$ or $V_{IL} = 0\text{ V}$ , $V_{DD} = +5\text{ V}$ , $V_{SS} = -5\text{ V}$		0.2	0.3	mW
Power Supply Sensitivity	PSS			0.002	0.01	%/%
<b>DYNAMIC CHARACTERISTICS<sup>6, 8, 9</sup></b>						
Bandwidth -3 dB	BW_20K	$R_{AB} = 20\text{ k}\Omega$ , Code = 0x80		310		kHz
	BW_50K	$R_{AB} = 50\text{ k}\Omega$ , Code = 0x80		150		kHz
	BW_200K	$R_{AB} = 200\text{ k}\Omega$ , Code = 0x80		35		kHz

# AD5280/AD5282

Parameter	Symbol	Conditions	Min	Typ <sup>1</sup>	Max	Unit
Total Harmonic Distortion	THD <sub>W</sub>	V <sub>A</sub> = 1 V rms, R <sub>AB</sub> = 20 kΩ V <sub>B</sub> = 0 V dc, f = 1 kHz		0.014		%
V <sub>W</sub> Settling Time	t <sub>s</sub>	V <sub>A</sub> = 5 V, V <sub>B</sub> = 5 V, ±1 LSB error band		5		μs
Crosstalk	CT	V <sub>A</sub> = V <sub>DD</sub> , V <sub>B</sub> = 0 V, measure V <sub>W1</sub> with adjacent RDAC making full-scale code change		15		nV-s
Analog Crosstalk	CTA	Measure V <sub>W1</sub> with V <sub>W2</sub> = 5 V p-p @ f = 10 kHz		-62		dB
Resistor Noise Voltage	e <sub>N_WB</sub>	R <sub>WB</sub> = 20 kΩ, f = 1 kHz		18		nV/√Hz
<b>INTERFACE TIMING CHARACTERISTICS (applies to all parts)<sup>6, 10, 11</sup></b>						
SCL Clock Frequency	f <sub>SCL</sub>		0		400	kHz
t <sub>BUF</sub> Bus Free Time Between Stop and Start	t <sub>1</sub>		1.3			μs
t <sub>HD:STA</sub> Hold Time (Repeated Start)	t <sub>2</sub>	After this period, the first clock pulse is generated	0.6			μs
t <sub>LOW</sub> Low Period of SCL Clock	t <sub>3</sub>		1.3			μs
t <sub>HIGH</sub> High Period of SCL Clock	t <sub>4</sub>		0.6			μs
t <sub>SU:STA</sub> Setup Time for Start Condition	t <sub>5</sub>		0.6			μs
t <sub>HD:DAT</sub> Data Hold Time	t <sub>6</sub>		0		0.9	μs
t <sub>SU:DAT</sub> Data Setup Time	t <sub>7</sub>		100			ns
t <sub>F</sub> Fall Time of Both SDA and SCL Signals	t <sub>8</sub>				300	ns
t <sub>R</sub> Rise Time of Both SDA and SCL Signals	t <sub>9</sub>				300	ns
t <sub>SU:STO</sub> Setup Time for STOP Condition	t <sub>10</sub>		0.6			μs

<sup>1</sup> Typical values represent average readings at 25°C, V<sub>DD</sub> = +5 V, V<sub>SS</sub> = -5 V.

<sup>2</sup> Resistor position nonlinearity error R-INL is the deviation from an ideal value measured between the maximum resistance and the minimum resistance wiper positions. R-DNL measures the relative step change from ideal between successive tap positions. Parts are guaranteed monotonic.

<sup>3</sup> V<sub>AB</sub> = V<sub>DD</sub>, wiper (V<sub>W</sub>) = no connect.

<sup>4</sup> INL and DNL are measured at V<sub>W</sub> with the RDAC configured as a potentiometer divider similar to a voltage output DAC. V<sub>A</sub> = V<sub>DD</sub> and V<sub>B</sub> = 0 V. DNL specification limits of ±1 LSB maximum are guaranteed monotonic operating conditions.

<sup>5</sup> Resistor Terminal A, Resistor Terminal B, and Wiper Terminal W have no limitations on polarity with respect to each other.

<sup>6</sup> Guaranteed by design and not subject to production test.

<sup>7</sup> P<sub>DISS</sub> is calculated from (I<sub>DD</sub> × V<sub>DD</sub>). CMOS logic level inputs result in minimum power dissipation.

<sup>8</sup> Bandwidth, noise, and settling time are dependent on the terminal resistance value chosen. The lowest R value results in the fastest settling time and highest bandwidth. The highest R value results in the minimum overall power consumption.

<sup>9</sup> All dynamic characteristics use V<sub>DD</sub> = 5 V.

<sup>10</sup> See timing diagram (Figure 3) for location of measured values.

<sup>11</sup> Standard I<sup>2</sup>C mode operation is guaranteed by design.

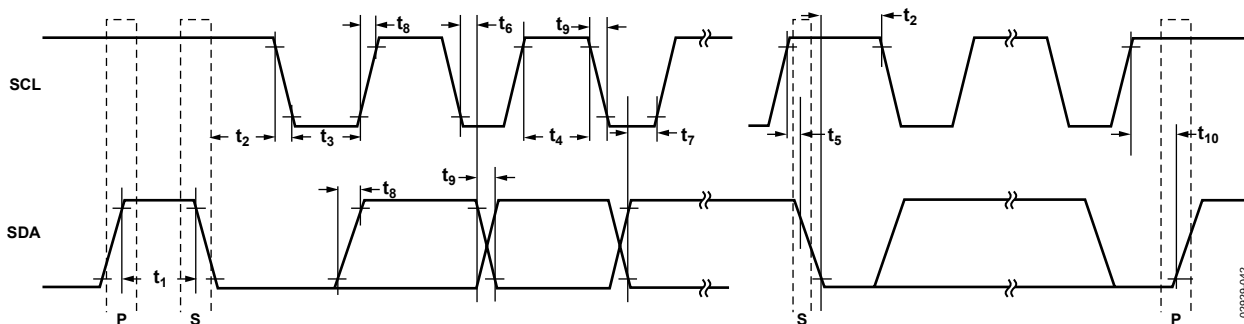


Figure 3. Detailed Timing Diagram

## ABSOLUTE MAXIMUM RATINGS

$T_A = 25^\circ\text{C}$ , unless otherwise noted.

**Table 2.**

Parameter	Rating
$V_{DD}$ to GND	-0.3 V to +16.5 V
$V_{SS}$ to GND	0 V to -7 V
$V_{DD}$ to $V_{SS}$	16.5 V
$V_A, V_B, V_W$ to GND	$V_{SS}$ to $V_{DD}$
$A_x$ to $B_x, A_x$ to $W_x, B_x$ to $W_x$	
Intermittent <sup>3</sup>	±20 mA
Continuous	±5 mA
$V_{LOGIC}$ to GND	0 V to 7 V
Output Voltage to GND	0 V to 7 V
Operating Temperature Range	-40°C to +85°C
Maximum Junction Temperature ( $T_{JMAX}$ )	150°C
Storage Temperature Range	-65°C to +150°C
Reflow Soldering	
Peak Temperature	260°C
Time at Peak Temperature	20 sec to 40 sec

<sup>3</sup> Maximum terminal current is bound by the maximum current handling of the switches, maximum power dissipation of the package, and maximum applied voltage across any two of the A, B, and W terminals at a given resistance.

Stresses above those listed under Absolute Maximum Ratings may cause permanent damage to the device. This is a stress rating only; functional operation of the device at these or any other conditions above those indicated in the operational section of this specification is not implied. Exposure to absolute maximum rating conditions for extended periods may affect device reliability.

### THERMAL RESISTANCE

$\theta_{JA}$  is specified for the worst-case conditions, that is, a device soldered in a circuit board for surface-mount packages. Package power dissipation =  $(T_{JMAX} - T_A) / \theta_{JA}$ .

**Table 3. Thermal Resistance**

Package Type	$\theta_{JA}$	Unit
TSSOP-14	206	°C/W
TSSOP-16	150	°C/W

### ESD CAUTION



**ESD (electrostatic discharge) sensitive device.** Charged devices and circuit boards can discharge without detection. Although this product features patented or proprietary protection circuitry, damage may occur on devices subjected to high energy ESD. Therefore, proper ESD precautions should be taken to avoid performance degradation or loss of functionality.

# AD5280/AD5282

## PIN CONFIGURATIONS AND FUNCTION DESCRIPTIONS

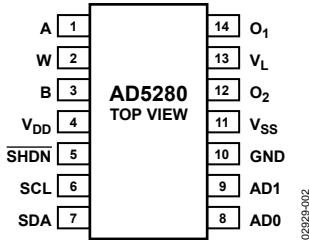


Figure 4. AD5280 Pin Configuration

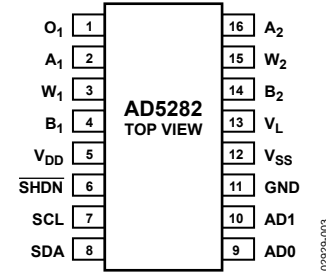


Figure 5. AD5282 Pin Configuration

Table 4. AD5280 Pin Function Descriptions

Pin No.	Mnemonic	Description
1	A	Resistor Terminal A.
2	W	Wiper Terminal W.
3	B	Resistor Terminal B.
4	V <sub>DD</sub>	Positive Power Supply. Specified for operation from 5 V to 15 V (sum of  V <sub>DD</sub>   +  V <sub>SS</sub>   ≤ 15 V).
5	SHDN	Active Low, Asynchronous Connection of Wiper W to Terminal B and Open Circuit of Terminal A. RDAC register contents unchanged. SHDN should tie to V <sub>L</sub> if not used. Can also be used as a programmable preset in power-up.
6	SCL	Serial Clock Input.
7	SDA	Serial Data Input/Output.
8	AD0	Programmable Address Bit 0 for Multiple Package Decoding. Bit AD0 and Bit AD1 provide four possible addresses.
9	AD1	Programmable Address Bit 1 for Multiple Package Decoding. Bit AD0 and Bit AD1 provide four possible addresses.
10	GND	Common Ground.
11	V <sub>SS</sub>	Negative Power Supply. Specified for operation from 0 V to -5 V (sum of  V <sub>DD</sub>   +  V <sub>SS</sub>   ≤ 15 V).
12	O <sub>2</sub>	Logic Output Terminal O <sub>2</sub> .
13	V <sub>L</sub>	Logic Supply Voltage. Needs to be less than or equal to V <sub>DD</sub> and at the same voltage as the digital logic controlling the AD5280.
14	O <sub>1</sub>	Logic Output Terminal O <sub>1</sub> .

Table 5. AD5282 Pin Function Descriptions

Pin No.	Mnemonic	Description
1	O <sub>1</sub>	Logic Output Terminal O <sub>1</sub> .
2	A <sub>1</sub>	Resistor Terminal A <sub>1</sub> .
3	W <sub>1</sub>	Wiper Terminal W <sub>1</sub> .
4	B <sub>1</sub>	Resistor Terminal B <sub>1</sub> .
5	V <sub>DD</sub>	Positive Power Supply. Specified for operation from 5 V to 15 V (sum of  V <sub>DD</sub>   +  V <sub>SS</sub>   ≤ 15 V).
6	SHDN	Active Low, Asynchronous Connection of Wiper W to Terminal B and Open Circuit of Terminal A. RDAC register contents unchanged. SHDN should tie to V <sub>L</sub> if not used. Can be also used as a programmable preset in power-up.
7	SCL	Serial Clock Input.
8	SDA	Serial Data Input/Output.
9	AD0	Programmable Address Bit 0 for Multiple Package Decoding. Bit AD0 and Bit AD1 provide four possible addresses.
10	AD1	Programmable Address Bit 1 for Multiple Package Decoding. Bit AD0 and Bit AD1 provide four possible addresses.
11	GND	Common Ground.
12	V <sub>SS</sub>	Negative Power Supply. Specified for operation from 0 V to -5 V (sum of  V <sub>DD</sub>   +  V <sub>SS</sub>   ≤ 15 V).
13	V <sub>L</sub>	Logic Supply Voltage. Needs to be less than or equal to V <sub>DD</sub> and at the same voltage as the digital logic controlling the AD5282.
14	B <sub>2</sub>	Resistor Terminal B <sub>2</sub> .
15	W <sub>2</sub>	Wiper Terminal W <sub>2</sub> .
16	A <sub>2</sub>	Resistor Terminal A <sub>2</sub> .

# TYPICAL PERFORMANCE CHARACTERISTICS

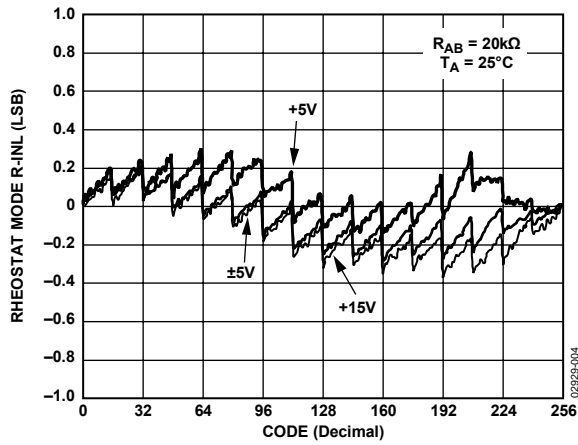


Figure 6. R-INL vs. Code vs. Supply Voltages

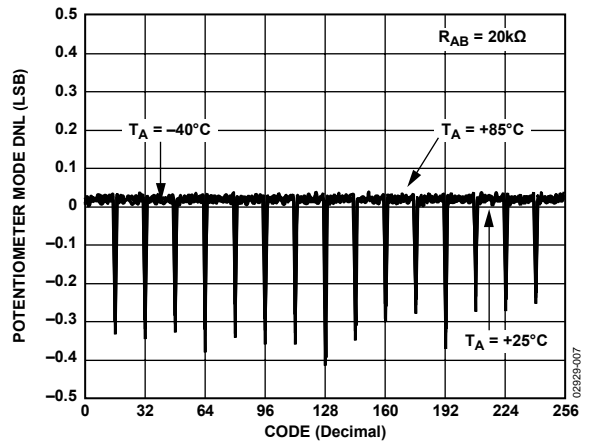


Figure 9. DNL vs. Code,  $V_{DD}/V_{SS} = \pm 5V$

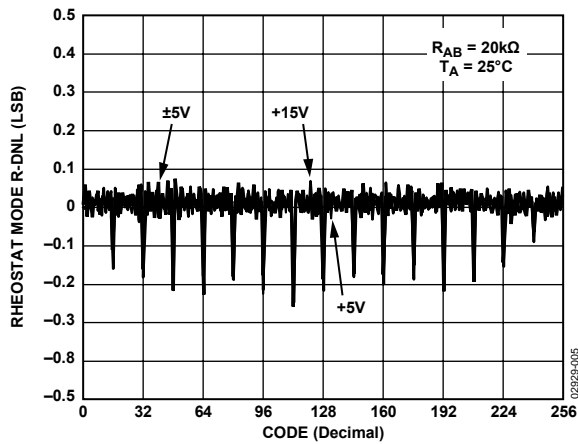


Figure 7. R-DNL vs. Code vs. Supply Voltages

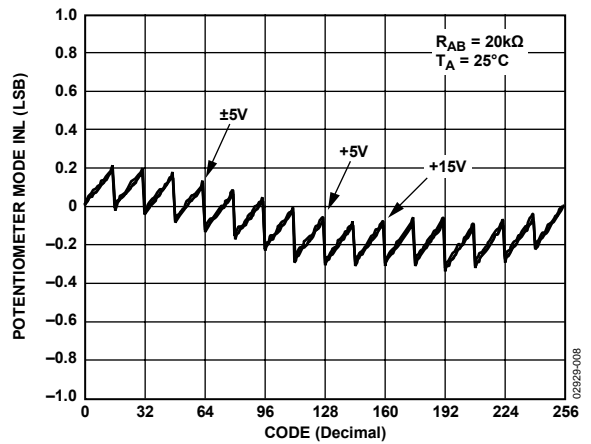


Figure 10. INL vs. Code vs. Supply Voltages

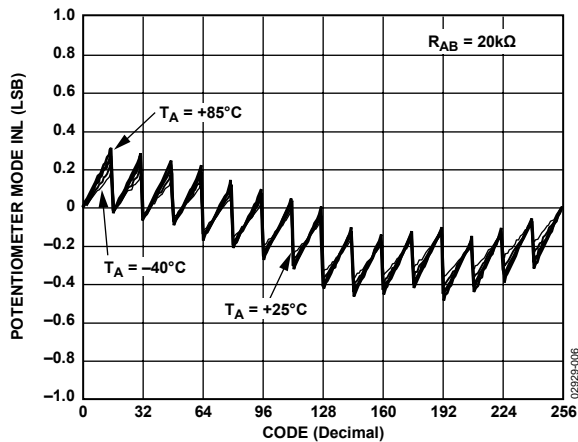


Figure 8. INL vs. Code,  $V_{DD}/V_{SS} = \pm 5V$

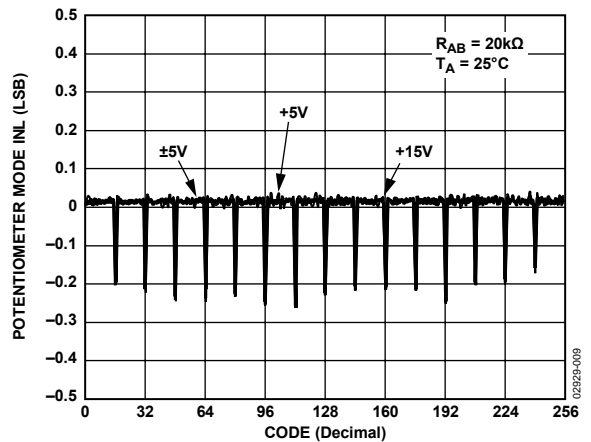


Figure 11. DNL vs. Code vs. Supply Voltages

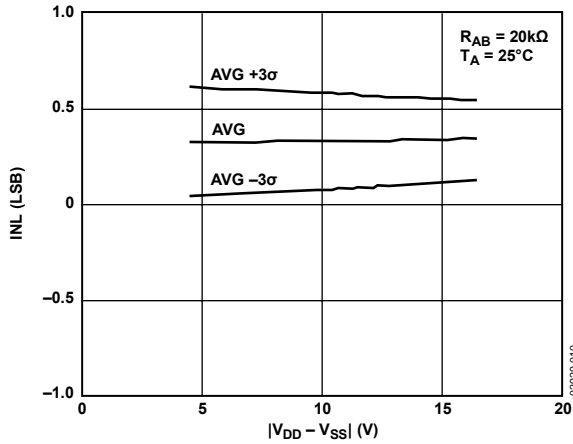


Figure 12. INL Over Supply Voltage

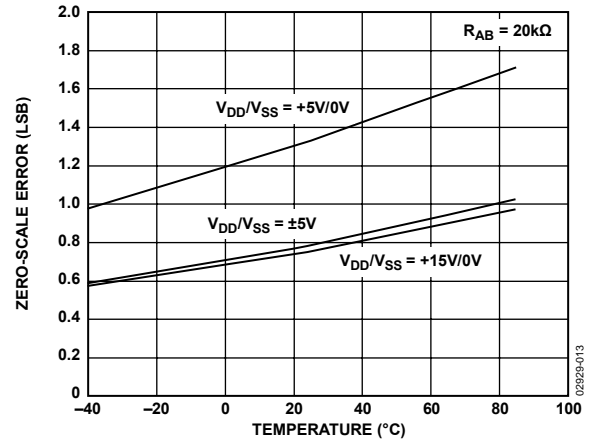


Figure 15. Zero-Scale Error

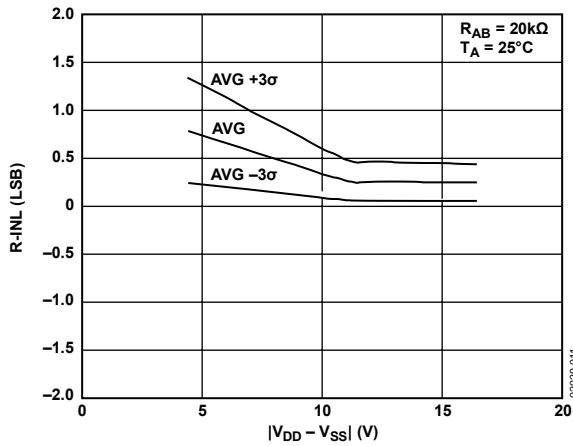


Figure 13. R-INL Over Supply Voltage

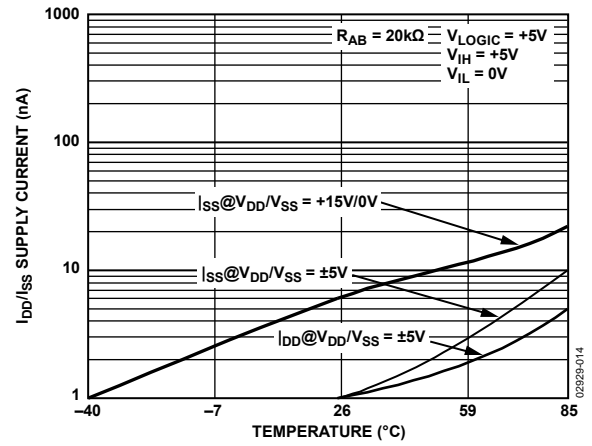


Figure 16. Supply Current vs. Temperature

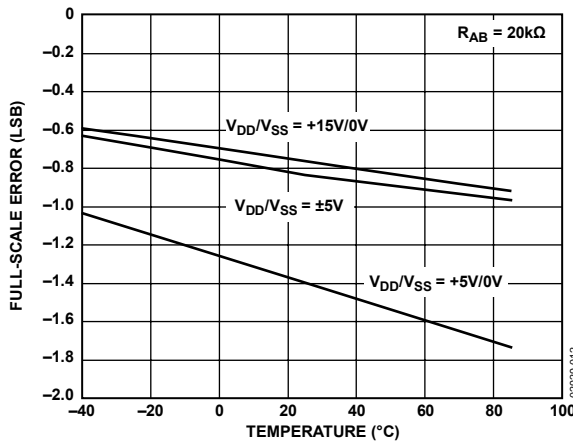


Figure 14. Full-Scale Error

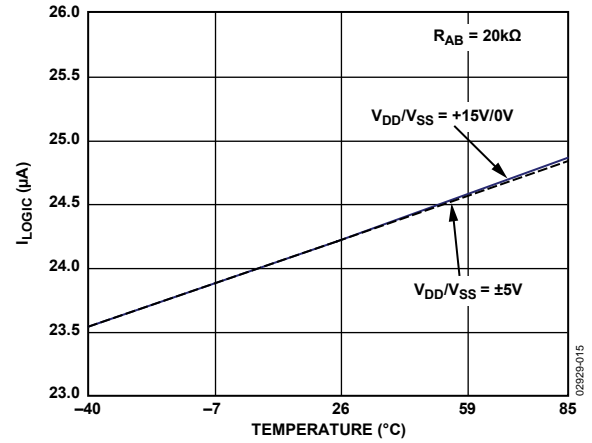


Figure 17.  $V_{LOGIC}$  Supply Current vs. Temperature



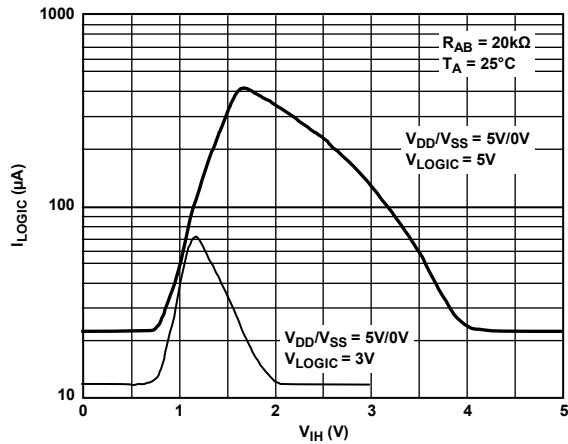


Figure 18.  $V_{LOGIC}$  Supply Current vs. Digital Input Voltage

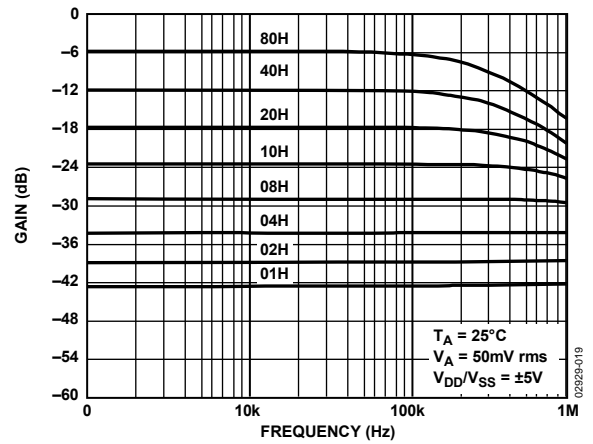


Figure 21. Gain vs. Frequency vs. Code,  $R_{AB} = 20\text{ k}\Omega$

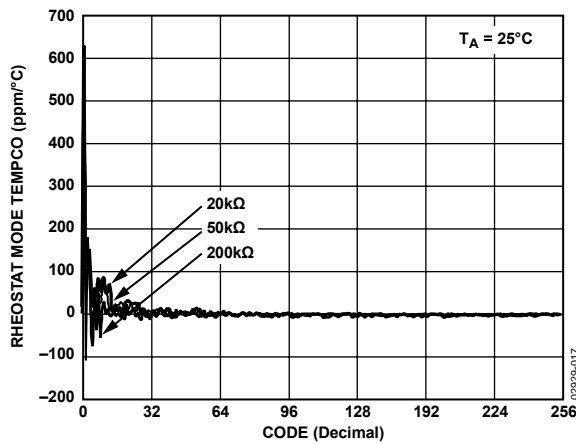


Figure 19. Rheostat Mode Tempco  $\Delta R_{WB}/\Delta T$  vs. Code,  $V_{DD}/V_{SS} = \pm 5\text{ V}$

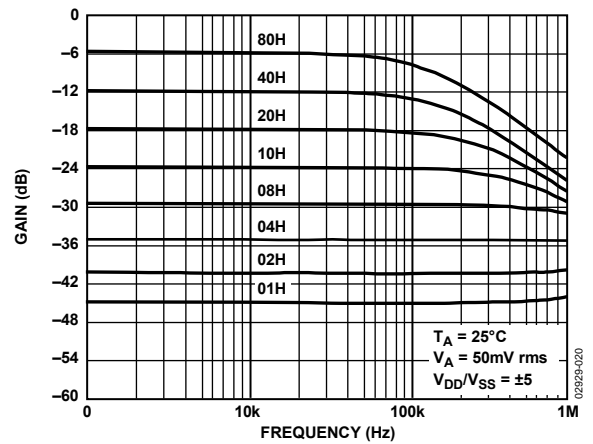


Figure 22. Gain vs. Frequency vs. Code,  $R_{AB} = 50\text{ k}\Omega$

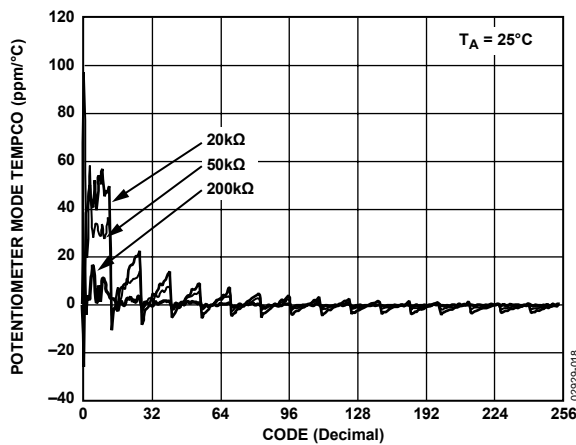


Figure 20. Potentiometer Mode Tempco  $\Delta V_{WB}/\Delta T$  vs. Code,  $V_{DD}/V_{SS} = \pm 5\text{ V}$

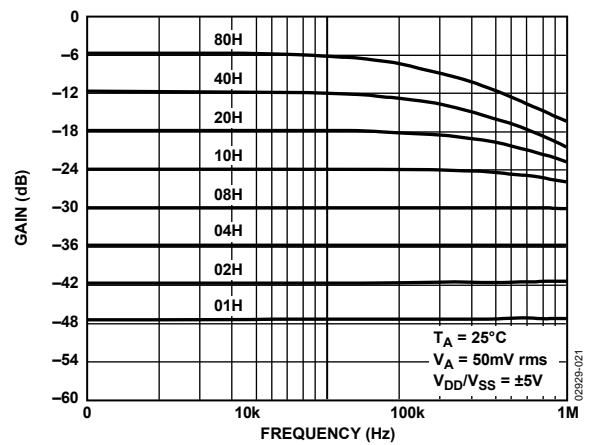


Figure 23. Gain vs. Frequency vs. Code,  $R_{AB} = 200\text{ k}\Omega$

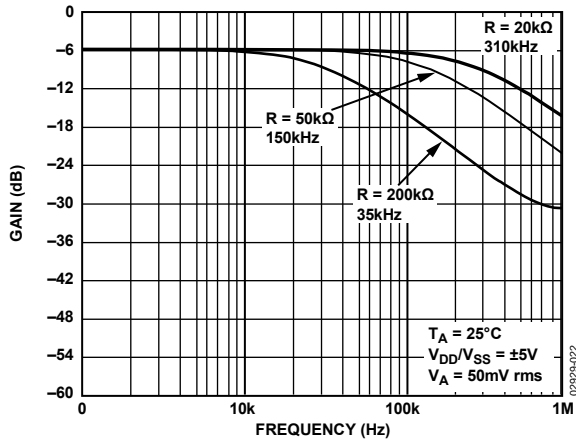


Figure 24. -3 dB Bandwidth

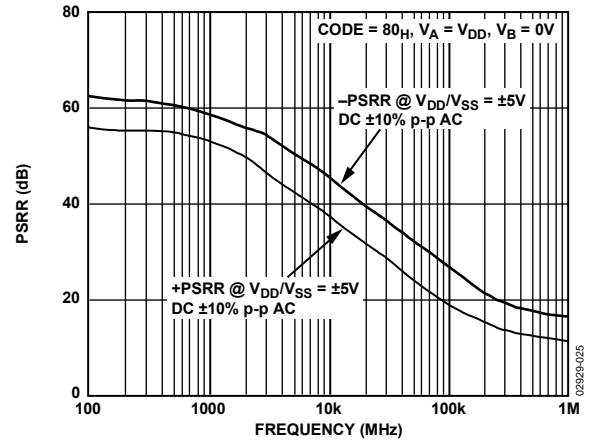


Figure 27. PSRR vs. Frequency

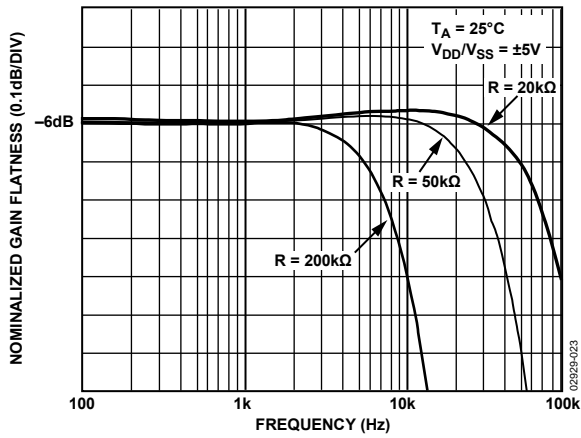


Figure 25. Normalized Gain Flatness vs. Frequency

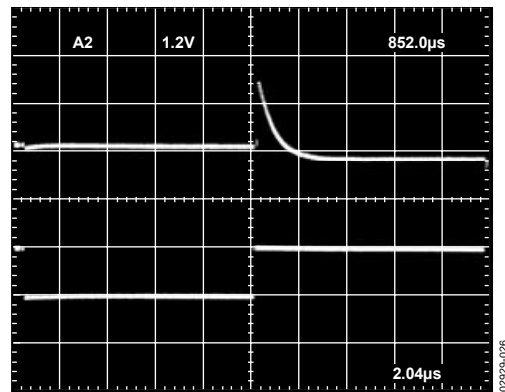


Figure 28. Midscale Glitch Energy Code 0x80 to 0x7F

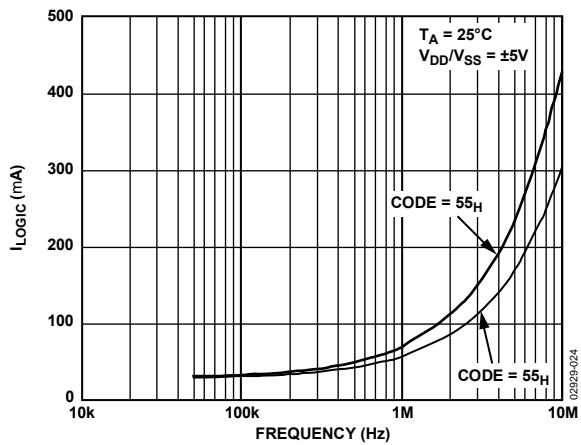


Figure 26.  $V_{LOGIC}$  Supply Current vs. Frequency

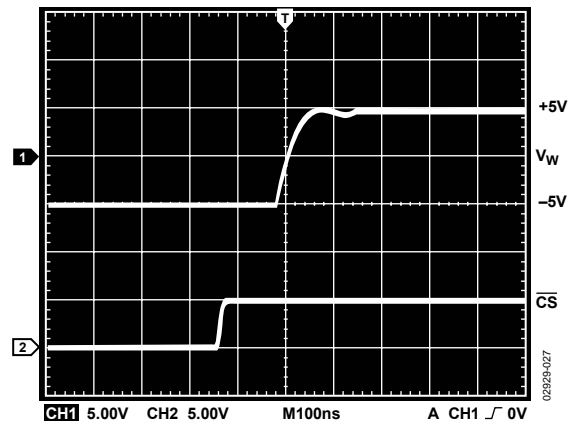


Figure 29. Large Signal Settling Time

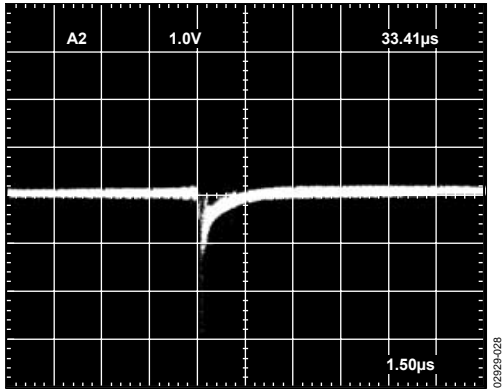


Figure 30. Digital Feedthrough vs. Time

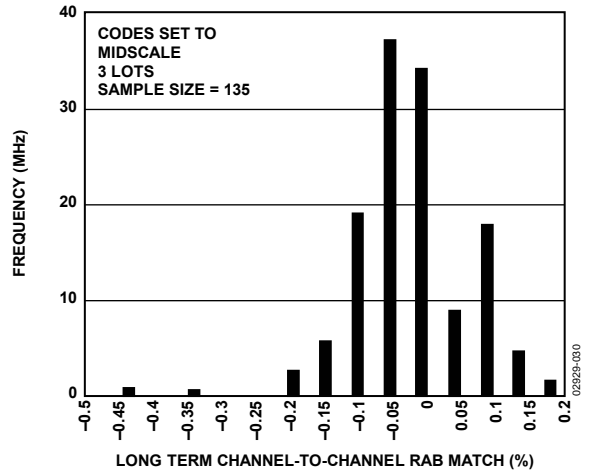


Figure 32. Channel-to-Channel Resistance Matching (AD5282)

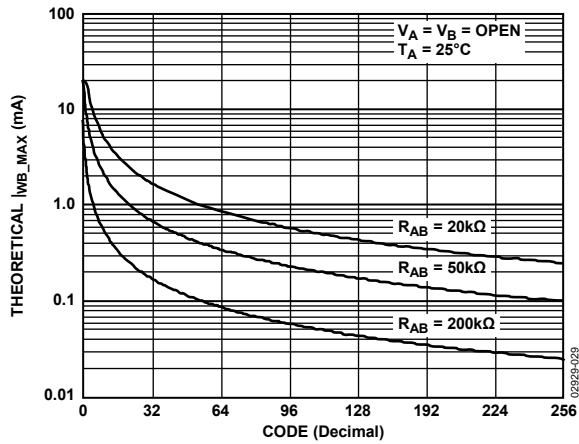


Figure 31. IWB\_MAX vs. Code

## TEST CIRCUITS

Figure 33 to Figure 43 define the test conditions used in the product specification table.

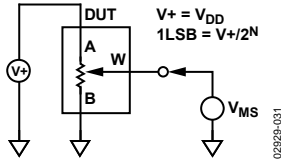


Figure 33. Potentiometer Divider Nonlinearity Error (INL, DNL)

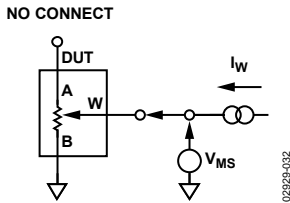


Figure 34. Resistor Position Nonlinearity Error (Rheostat Operation; R-INL, R-DNL)

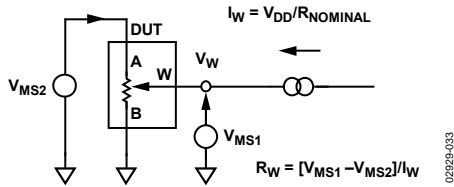


Figure 35. Wiper Resistance

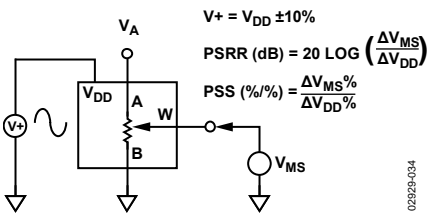


Figure 36. Power Supply Sensitivity (PSS, PSSR)

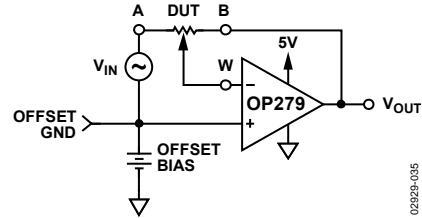


Figure 37. Inverting Gain

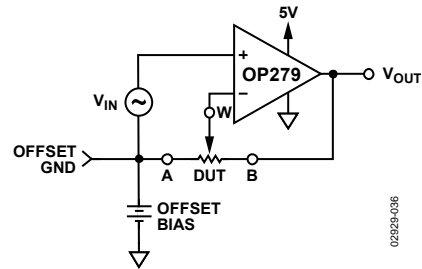


Figure 38. Noninverting Gain

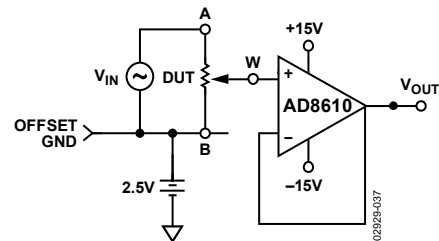


Figure 39. Gain vs. Frequency

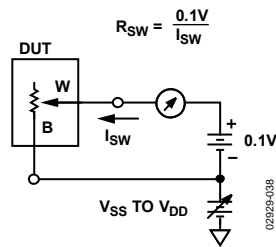


Figure 40. Incremental On Resistance

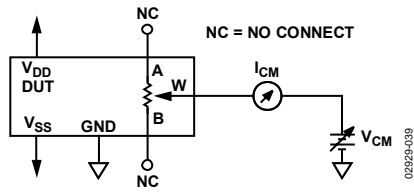


Figure 41. Common-Mode Leakage Current

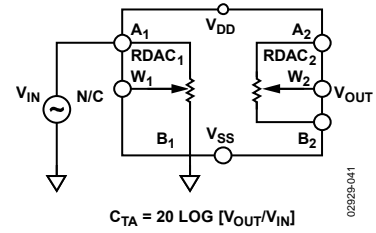


Figure 43. Analog Crosstalk (AD5282 Only)

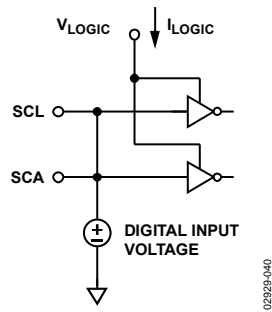


Figure 42.  $V_{LOGIC}$  Current vs. Digital Input Voltage

## THEORY OF OPERATION

The AD5280/AD5282 are single-channel and dual-channel, 256-position, digitally controlled variable resistors (VRs). To program the VR settings, see the Digital Interface section. Both parts have an internal power-on preset that places the wiper at midscale during power-on, which simplifies the fault condition recovery at power-up. Operation of the power-on preset function also depends on the state of the  $V_L$  pin.

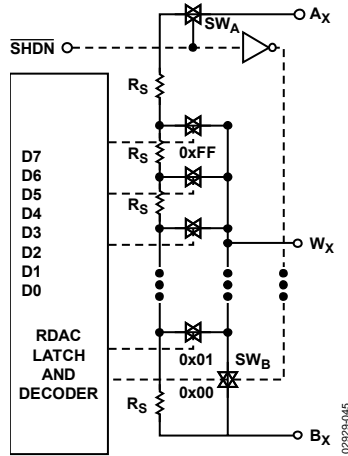


Figure 44. AD5280/AD5282 Equivalent RDAC Circuit

## RHEOSTAT OPERATION

The nominal resistance of the RDAC between Terminal A and Terminal B is available in 20 k $\Omega$ , 50 k $\Omega$ , and 200 k $\Omega$ . The final two or three digits of the part number determine the nominal resistance value, for example, 20 k $\Omega$  = 20, 50 k $\Omega$  = 50, and 200 k $\Omega$  = 200. The nominal resistance ( $R_{AB}$ ) of the VR has 256 contact points accessed by the wiper terminal, plus the B terminal contact. The eight-bit data in the RDAC latch is decoded to select one of the 256 possible settings. Assuming that a 20 k $\Omega$  part is used, the wiper's first connection starts at the B terminal for data 0x00. Because there is a 60  $\Omega$  wiper contact resistance, such a connection yields a minimum of 60  $\Omega$  resistance between Terminal W and Terminal B.

The second connection is the first tap point that corresponds to 138  $\Omega$  ( $R_{WB} = R_{AB}/256 + R_W = 78 \Omega + 60 \Omega$ ) for data 0x01. The third connection is the next tap point representing 216  $\Omega$  ( $78 \times 2 + 60$ ) for data 0x02, and so on. Each LSB data value increase moves the wiper up the resistor ladder until the last tap point is reached at 19,982  $\Omega$  ( $R_{AB} - 1 \text{ LSB} + R_W$ ). Figure 46 shows a simplified diagram of the equivalent RDAC circuit where the last resistor string is not accessed; therefore, there is 1 LSB less of the nominal resistance at full scale in addition to the wiper resistance.

The general equation determining the digitally programmed output resistance between W and B is

$$R_{WB}(D) = \frac{D}{256} \times R_{AB} + R_W \quad (1)$$

where:

$D$  is the decimal equivalent of the binary code loaded in the 8-bit RDAC register.

$R_{AB}$  is the nominal end-to-end resistance.

$R_W$  is the wiper resistance contributed by the on resistance of the internal switch.

Note that in the zero-scale condition, a finite wiper resistance of 60  $\Omega$  is present. Care should be taken to limit the current flow between W and B in this state to a maximum pulse current of no more than 20 mA. Otherwise, degradation or possible destruction of the internal switch contact can occur.

As in the mechanical potentiometer, the resistance of the RDAC between Wiper W and Terminal A also produces a digitally controlled complementary resistance,  $R_{WA}$ . When these terminals are used, the B terminal can be opened. Setting the resistance value for  $R_{WA}$  starts at a maximum value of resistance and decreases as the data loaded in the latch increases in value. The general equation for this operation is

$$R_{WA}(D) = \frac{256 - D}{256} \times R_{AB} + R_W \quad (2)$$

The typical distribution of the nominal resistance,  $R_{AB}$ , from channel to channel matches within  $\pm 1\%$ . Device-to-device matching is process lot dependent, and it is possible to have a  $\pm 30\%$  variation. Because the resistance element is processed in thin film technology, the change in  $R_{AB}$  with temperature is very small (30 ppm/ $^{\circ}\text{C}$ ).

## POTENTIOMETER OPERATION

The digital potentiometer easily generates a voltage divider at wiper to B and wiper to A to be proportional to the input voltage at A to B. Unlike the polarity of  $V_{DD} - V_{SS}$ , which must be positive, voltage across A to B, W to A, and W to B can be at either polarity, provided that  $V_{SS}$  is powered by a negative supply.

If the effect of the wiper resistance for approximation is ignored, connecting the A terminal to 5 V and the B terminal to ground produces an output voltage at the wiper to B starting at 0 V up to 1 LSB less than 5 V. Each LSB of voltage is equal to the voltage applied across A to B divided by the 256 positions of the potentiometer divider. Because the AD5280/AD5282 can be supplied by dual supplies, the general equation defining the output voltage at  $V_W$  with respect to ground for any valid

input voltage applied to Terminal A and Terminal B is

$$V_w(D) = \frac{D}{256}V_A + \frac{256 - D}{256}V_B \quad (3)$$

For a more accurate calculation that includes the effect of wiper resistance,  $V_w$  can be found as

$$V_w(D) = \frac{R_{WB}(D)}{R_{AB}}V_A + \frac{R_{WA}(D)}{R_{AB}}V_B \quad (4)$$

Operation of the digital potentiometer in divider mode results in a more accurate operation over temperature. Unlike rheostat mode, the output voltage is dependent mainly on the ratio of the internal resistors  $R_{WA}$  and  $R_{WB}$  and not on the absolute values; therefore, the temperature drift reduces to 5 ppm/°C.

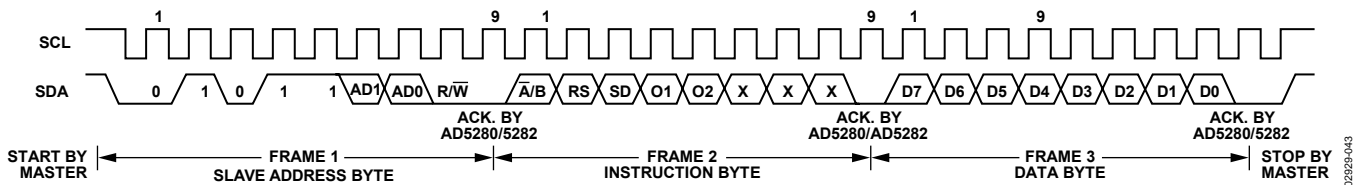


Figure 45. Writing to the RDAC Register

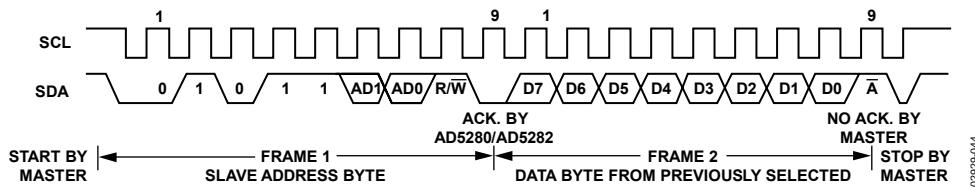


Figure 46. Reading Data from a Previously Selected RDAC Register in Write Mode

**Table 6. Serial Format of Data Accepted from the I<sup>2</sup>C Bus**

S	0	1	0	1	1	AD1	AD0	R/W	A	A/B	RS	SD	O <sub>1</sub>	O <sub>2</sub>	X	X	X	A	D7	D6	D5	D4	D3	D2	D1	D0	A	P
Slave Address Byte									Instruction Byte									Data Byte										

where:

Abbreviation	Equals
S	Start condition
P	Stop condition
A	Acknowledge
X	Don't care
AD1, AD0	Package pin programmable address bits
R/W	Read enable at high and write enable at low
A/B	RDAC subaddress select; 0 = RDAC1 and 1 = RDAC2
RS	Midscale reset, active high (only affects selected channel)
SD	Shutdown; same as SHDN pin operation except inverse logic (only affects selected channel)
O <sub>2</sub> , O <sub>1</sub>	Output logic pin latched values; default Logic 0
D7, D6, D5, D4, D3, D2, D1, D0	Data bits

## DIGITAL INTERFACE

### 2-WIRE SERIAL BUS

The AD5280/AD5282 are controlled via an I<sup>2</sup>C-compatible serial bus. The RDACs are connected to this bus as slave devices. As shown in Figure 45, Figure 46, and Table 6, the first byte of the AD5280/AD5282 is a slave address byte. It has a 7-bit slave address and an R/W bit.

The 5 MSBs are 01011, and the two bits that follow are determined by the state of the AD0 pin and the AD1 pin of the device. AD0 and AD1 allow the user to place up to four of the I<sup>2</sup>C-compatible devices on one bus. The 2-wire I<sup>2</sup>C serial bus protocol operates as follows.

The master initiates data transfer by establishing a start condition, which happens when a high-to-low transition on the SDA line occurs while SCL is high (see Figure 45). The following byte is the slave address byte, which consists of the 7-bit slave address followed by an R/W bit (this bit determines whether data is read from or written to the slave device).

The slave whose address corresponds to the transmitted address responds by pulling the SDA line low during the ninth clock pulse (this is called the acknowledge bit). At this stage, all other devices on the bus remain idle while the selected device waits for data to be written to or read from its serial register. If the R/W bit is high, the master reads from the slave device. On the other hand, if the R/W bit is low, the master writes to the slave device.

A write operation contains one instruction byte more than a read operation. Such an instruction byte in write mode follows the slave address byte. The most significant bit (MSB) of the instruction byte labeled  $\overline{A/B}$  is the RDAC subaddress select. A low selects RDAC1 and a high selects RDAC2 for the dual channel AD5282. Set  $\overline{A/B}$  low for the AD5280.

RS, the second MSB, is the midscale reset. A logic high on this bit moves the wiper of a selected channel to the center tap where RWA = RWB. This feature effectively writes over the contents of the register and thus, when taken out of reset mode, the RDAC remains at midscale.

SD, the third MSB, is a shutdown bit. A logic high causes the selected channel to open circuit at Terminal A while shorting the wiper to Terminal B. This operation yields almost 0  $\Omega$  in rheostat mode or 0 V in potentiometer mode. This SD bit serves the same function as the  $\overline{SHDN}$  pin except that the  $\overline{SHDN}$  pin reacts to active low. Also, the  $\overline{SHDN}$  pin affects both channels (AD5282) as opposed to the SD bit, which affects only the channel that is being written to. Note that the shutdown

operation does not disturb the contents of the register. When brought out of shutdown, the previous setting is applied to the RDAC.

The following two bits are O<sub>1</sub> and O<sub>2</sub>. They are extra programmable logic outputs that can be used to drive other digital loads, logic gates, LED drivers, analog switches, and so on. The three LSBs are don't care bits (see Figure 45).

After acknowledging the instruction byte, the last byte in write mode is the data byte. Data is transmitted over the serial bus in sequences of nine clock pulses (eight data bits followed by an acknowledge bit). The transitions on the SDA line must occur during the low period of SCL and remain stable during the high period of SCL (see Figure 45).

In read mode, the data byte follows immediately after the acknowledgment of the slave address byte. Data is transmitted over the serial bus in sequences of nine clock pulses (a slight difference from write mode, where there are eight data bits followed by an acknowledge bit). Similarly, the transitions on the SDA line must occur during the low period of SCL and remain stable during the high period of SCL (see Figure 46).

When all data bits have been read or written, a stop condition is established by the master. A stop condition is defined as a low-to-high transition on the SDA line while SCL is high. In write mode, the master pulls the SDA line high during the tenth clock pulse to establish a stop condition (see Figure 45). In read mode, the master issues a no acknowledge for the ninth clock pulse (that is, the SDA line remains high). The master then brings the SDA line low before the 10th clock pulse, which goes high to establish a stop condition (see Figure 46).

A repeated write function gives the user flexibility to update the RDAC output a number of times after addressing and instructing the part only once. During the write cycle, each data byte updates the RDAC output. For example, after the RDAC has acknowledged its slave address and instruction bytes, the RDAC output updates after these two bytes. If another byte is written to the RDAC while it is still addressed to a specific slave device with the same instruction, this byte updates the output of the selected slave device. If different instructions are needed, the write mode has to start with a new slave address, instruction, and data byte again. Similarly, a repeated read function of RDAC is also allowed.



## READBACK RDAC VALUE

The AD5280/AD5282 allow the user to read back the RDAC values in read mode. However, for the dual-channel AD5282, the channel of interest is the one that is previously selected in the write mode. When users need to read the RDAC values of both channels in the AD5282, they can program the first subaddress in write mode and then change to read mode to read the first channel value. After that, they can change back to write mode with the second subaddress and read the second channel value in read mode again. It is not necessary for users to issue the Frame 3 data byte in write mode for subsequent readback operation. Users should refer to Figure 45 and Figure 46 for the programming format.

## ADDITIONAL PROGRAMMABLE LOGIC OUTPUT

The AD5280/AD5282 feature additional programmable logic outputs,  $O_1$  and  $O_2$ , which can be used to drive a digital load, analog switches, and logic gates.  $O_1$  and  $O_2$  default to Logic 0. The logic states of  $O_1$  and  $O_2$  can be programmed in Frame 2 under write mode (see Figure 45). These logic outputs have adequate current driving capability to sink/source milliamperes of load.

Users can also activate  $O_1$  and  $O_2$  in three ways without affecting the wiper settings by programming as follows:

- Perform start, slave address, acknowledge, and instruction bytes with  $O_1$  and  $O_2$  specified, acknowledge, stop.
- Complete the write cycle with stop, then start, slave address byte, acknowledge, instruction byte with  $O_1$  and  $O_2$  specified, acknowledge, stop.
- Not complete the write cycle by not issuing the stop, then start, slave address byte, acknowledge, instruction byte with  $O_1$  and  $O_2$  specified, acknowledge, stop.

## SELF-CONTAINED SHUTDOWN FUNCTION AND PROGRAMMABLE PRESET

Shutdown can be activated by strobing the  $\overline{\text{SHDN}}$  pin or programming the SD bit in the write mode instruction byte. As shown in Figure 44, when shutdown is asserted, the AD5280/AD5282 open  $\text{SW}_A$  to let the A terminal float and short the W terminal to the B terminal. The AD5280/AD5282 consume negligible power during shutdown mode, resuming the previous setting once the  $\overline{\text{SHDN}}$  pin is released.

In addition, shutdown can be implemented with the device digital output as shown in Figure 47. In this configuration, the device is shut down during power-up, but the user is allowed to program the device at any preset levels. When it is done, the user programs  $O_1$  high with the valid coding and the device exits from shutdown and responds to the new setting. This self-contained shutdown function allows absolute shutdown during power-up, which is crucial in hazardous environments, without adding extra components. Also, the sleep mode programming feature during shutdown allows the AD5280/AD5282 to have a programmable preset at any level, a solution that can be as effective as using other high cost EEPROM devices. Because of the extra power drawn on  $R_{PD}$ , note that a high value should be chosen for the  $R_{PD}$ .

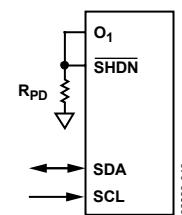


Figure 47. Shutdown by Internal Logic Output

## MULTIPLE DEVICES ON ONE BUS

Figure 48 shows four AD5282 devices on the same serial bus. Each has a different slave address because the states of their Pin AD0 and Pin AD1 are different. This allows each RDAC within each device to be written to or read from independently. The master device output bus line drivers are open-drain pull-downs in a fully I<sup>2</sup>C-compatible interface.

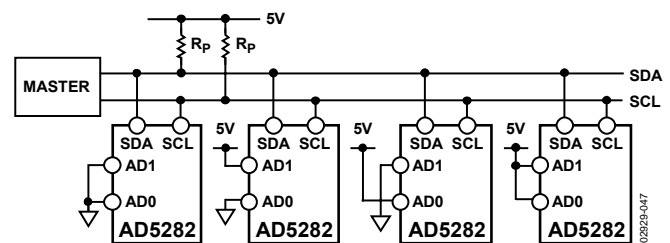


Figure 48. Multiple AD5282 Devices on One Bus

# AD5280/AD5282

## LEVEL SHIFT FOR BIDIRECTIONAL INTERFACE

While most old systems can be operated at one voltage, a new component can be optimized at another. When two systems operate the same signal at two different voltages, proper level shifting is needed. For instance, a 3.3 V EEPROM can interface with a 5 V digital potentiometer. A level-shift scheme is needed to enable a bidirectional communication so that the setting of the digital potentiometer can be stored to and retrieved from the EEPROM. Figure 49 shows one of the implementations. M1 and M2 can be any N-channel signal FETs or low threshold FDV301N if  $V_{DD}$  falls below 2.5 V.

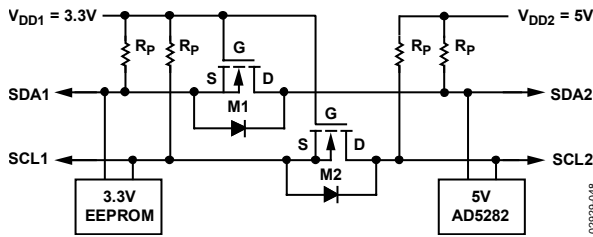


Figure 49. Level Shift for Different Potential Operation

## LEVEL SHIFT FOR NEGATIVE VOLTAGE OPERATION

The digital potentiometer is popular in laser diode driver applications and certain telecommunications equipment level-setting applications. These applications are sometimes operated between ground and a negative supply voltage such that the systems can be biased at ground to avoid large bypass capacitors that may significantly impede the ac performance. Like most digital potentiometers, the AD5280/AD5282 can be configured with a negative supply (see Figure 50).

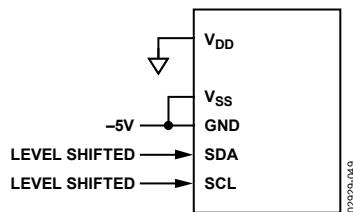


Figure 50. Biased at Negative Voltage

However, the digital inputs must also be level shifted to allow proper operation because the ground is referenced to the negative potential. Figure 51 shows one implementation with a few transistors and a few resistors. When  $V_{IN}$  is below the Q3 threshold value, Q3 is off, Q1 is off, and Q2 is on. In this state,  $V_{OUT}$  approaches 0 V. When  $V_{IN}$  is above 2 V, Q3 is on, Q1 is on, and Q2 is turned off. In this state,  $V_{OUT}$  is pulled down to  $V_{SS}$ . Be aware that proper time shifting is also needed for successful communication with the device.

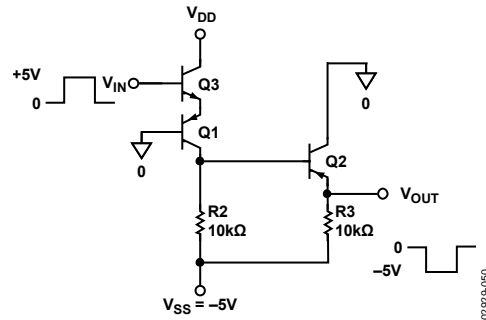


Figure 51. Level Shift for Bipolar Potential Operation

## ESD PROTECTION

All digital inputs are protected with a series input resistor and parallel Zener ESD structures, as shown in Figure 52. The protection applies to digital inputs SDA, SCL, and SHDN.

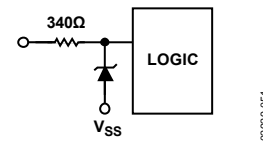


Figure 52. ESD Protection of Digital Pins

## TERMINAL VOLTAGE OPERATING RANGE

The AD5280/AD5282 positive  $V_{DD}$  and negative  $V_{SS}$  power supply defines the boundary conditions for proper 3-terminal digital potentiometer operation. Supply signals present on Resistor Terminal A, Resistor Terminal B, and Wiper Terminal W that exceed  $V_{DD}$  or  $V_{SS}$  are clamped by the internal forward-biased diodes (see Figure 53).

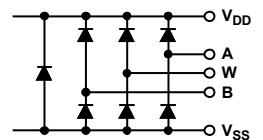


Figure 53. Maximum Terminal Voltages Set by  $V_{DD}$  and  $V_{SS}$

## POWER-UP SEQUENCE

Because there are ESD protection diodes that limit the voltage compliance at Terminal A, Terminal B, and Terminal W (see Figure 53), it is important to power  $V_{DD}/V_{SS}$  before applying any voltage to the A, B, and W terminals. Otherwise, the diode is forward biased such that  $V_{DD}/V_{SS}$  is unintentionally powered, which may affect the rest of the user's circuit. The ideal power-up sequence is the following: GND,  $V_{DD}$ ,  $V_{SS}$ , digital inputs, and  $V_A/V_B/V_W$ . The order of powering  $V_A/V_B/V_W$  and digital inputs is not important as long as they are powered after  $V_{DD}/V_{SS}$ .

## LAYOUT AND POWER SUPPLY BYPASSING

It is a good practice to design a layout with compact, minimum lead lengths. The leads to the input should be as direct as possible with a minimum conductor length. Ground paths should have low resistance and low inductance.

Similarly, it is also a good practice to bypass the power supplies with quality capacitors for optimum stability. Supply leads to the device should be bypassed with 0.01  $\mu\text{F}$  to 0.1  $\mu\text{F}$  disc or chip ceramic capacitors. Low ESR 1  $\mu\text{F}$  to 10  $\mu\text{F}$  tantalum or electrolytic capacitors should also be applied at the supplies to minimize any transient disturbance and filter low frequency ripple (see Figure 54). Notice that the digital ground should also be joined remotely to the analog ground at one point to minimize digital ground bounce.

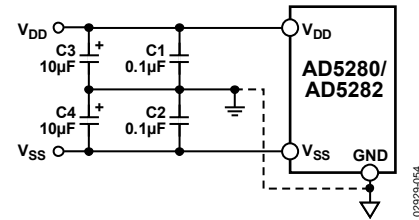


Figure 54. Power Supply Bypassing

## APPLICATIONS INFORMATION

### BIPOLAR DC OR AC OPERATION FROM DUAL SUPPLIES

The AD5280/AD5282 can be operated from dual supplies enabling control of ground-referenced ac signals or bipolar operation. The ac signal, as high as  $V_{DD}/V_{SS}$ , can be applied directly across Terminal A to Terminal B with the output taken from Terminal W. See Figure 55 for a typical circuit connection.

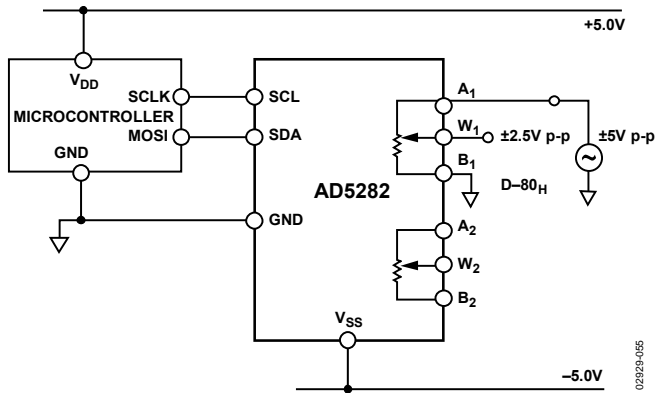


Figure 55. Bipolar Operation from Dual Supplies

### GAIN CONTROL COMPENSATION

The digital potentiometer is commonly used in gain control applications such as the noninverting gain amplifier shown in Figure 56.

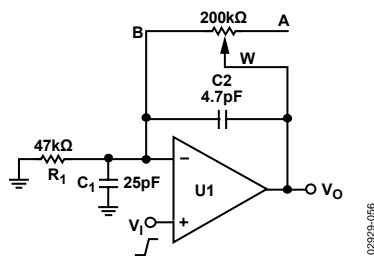


Figure 56. Typical Noninverting Gain Amplifier

Notice that the RDAC B terminal parasitic capacitance is connected to the op amp noninverting node. It introduces a 0 for the  $1/\beta_0$  term with 20 dB/decade (dec), whereas a typical op amp GBP has  $-20$  dB/dec characteristics. A large  $R_2$  and finite  $C_1$  can cause the 0 frequency to fall well below the crossover frequency. Thus the rate of closure becomes 40 dB/dec, and the system has a  $0^\circ$  phase margin at the crossover frequency. The output may ring or oscillate if the input is a rectangular pulse or step function. Similarly, it is also likely to ring when switching between two gain values because this is equivalent to a step change at the input.

Depending on the op amp GBP, reducing the feedback resistor may extend the zero's frequency far enough to overcome the problem. A better approach is to include a compensation capacitor  $C_2$  to cancel the effect caused by  $C_1$ . Optimum compensation occurs when  $R_1 \times C_1 = R_2 \times C_2$ . This is not an option unless  $C_2$  is scaled as if  $R_2$  were at its maximum value. Doing so may overcompensate and compromise the performance slightly when  $R_2$  is set at low values. However, it avoids the gain peaking, ringing, or oscillation at the worst case. For critical applications,  $C_2$  should be found empirically to suit the need. In general,  $C_2$  in the range of a few picofarads (pF) to no more than a few tenths of a picofarad is usually adequate for the compensation.

Similarly, there are W and A terminal capacitances connected to the output (not shown); fortunately, their effect at this node is less significant and the compensation can be avoided in most cases.

### 15 V, 8-BIT I<sup>2</sup>C DAC

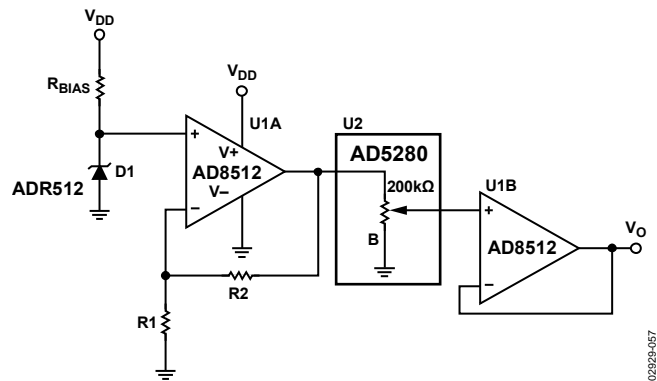


Figure 57. 8-Bit I<sup>2</sup>C DAC

AD5280/AD5282 can be configured as a high voltage DAC, as high as 15 V. The output is

$$V_o(D) = \frac{D}{256} \left[ 1.2V \times \left( 1 + \frac{R_2}{R_1} \right) \right] \quad (5)$$

8-BIT BIPOLAR DAC

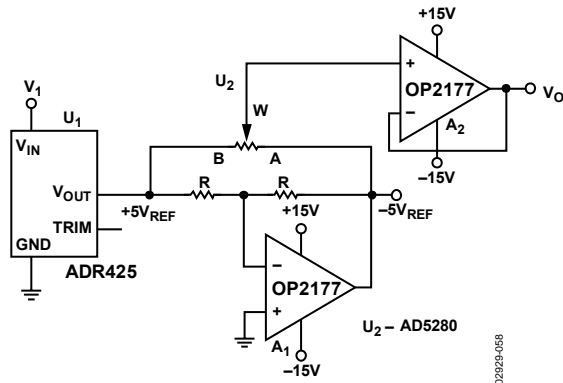


Figure 58. 8-Bit Bipolar DAC

Figure 58 shows a low cost, 8-bit, bipolar DAC. It offers the same number of adjustable steps but not the precision of conventional DACs. The linearity and temperature coefficients, especially at low value codes, are skewed by the effects of the digital potentiometer wiper resistance. The output of this circuit is

$$V_o = \left( \frac{2D}{256} - 1 \right) \times V_{REF} \quad (6)$$

BIPOLAR PROGRAMMABLE GAIN AMPLIFIER

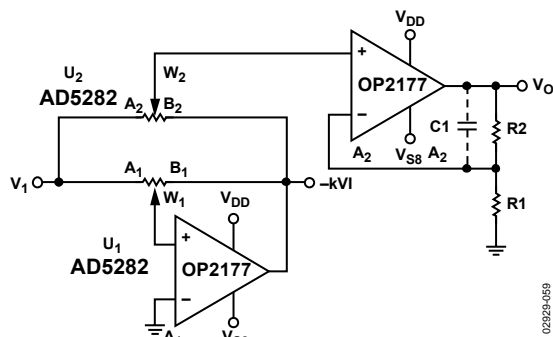


Figure 59. Bipolar Programmable Gain Amplifier

For applications that require bipolar gain, Figure 59 shows one implementation similar to the previous circuit. The digital potentiometer, U<sub>1</sub>, sets the adjustment range. The wiper voltage at W<sub>2</sub> can therefore be programmed between V<sub>i</sub> and -KV<sub>i</sub> at a given U<sub>2</sub> setting. Configuring A<sub>2</sub> in noninverting mode allows linear gain and attenuation. The transfer function is

$$\frac{V_o}{V_i} = \left( 1 + \frac{R2}{R1} \right) \times \left( \frac{D2}{256} \times (1 + K) - K \right) \quad (7)$$

where K is the ratio of R<sub>WB1</sub>/R<sub>WA1</sub> set by U<sub>1</sub>.

As in the previous example, in the simpler and more common case where K = 1, a single digital AD5280 potentiometer is used. U<sub>1</sub> is replaced by a matched pair of resistors to apply V<sub>i</sub> and -V<sub>i</sub> at the ends of the digital potentiometer. The relationship becomes

$$V_o = \left( 1 + \frac{R2}{R1} \right) \left( \frac{2D2}{256} - 1 \right) \times V_i \quad (7)$$

If R<sub>2</sub> is large, a compensation capacitor having a few pF may be needed to avoid any gain peaking.

Table 7 shows the result of adjusting D, with A<sub>2</sub> configured as a unity gain, a gain of 2, and a gain of 10. The result is a bipolar amplifier with linearly programmable gain and a 256-step resolution.

Table 7. Result of Bipolar Gain Amplifier

D	R1 = ∞, R2 = 0	R1 = R2	R2 = 9R1
0	-1	-2	-10
64	-0.5	-1	-5
128	0	0	0
192	0.5	1	5
255	0.968	1.937	9.680

PROGRAMMABLE VOLTAGE SOURCE WITH BOOSTED OUTPUT

For applications that require high current adjustments, such as a laser diode driver or tunable laser, a boosted voltage source can be considered (see Figure 60).

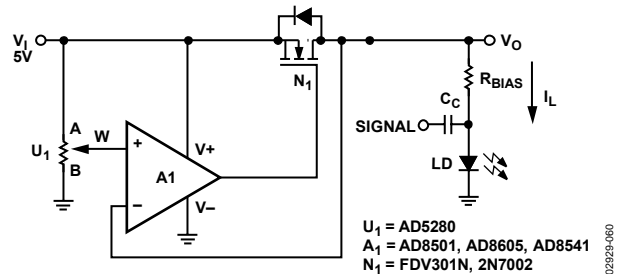


Figure 60. Programmable Booster Voltage Source

In this circuit, the inverting input of the op amp forces the V<sub>BIAS</sub> to be equal to the wiper voltage set by the digital potentiometer. The load current is then delivered by the supply via the N-channel FET N1. The N1 power handling must be adequate to dissipate (V<sub>i</sub> - V<sub>o</sub>) × I<sub>L</sub> power. This circuit can source a maximum of 100 mA with a 5 V supply. A1 needs to be a rail-to-rail input type. For precision applications, a voltage reference such as ADR423, ADR292, or AD1584 can be applied at the input of the digital potentiometer.

## PROGRAMMABLE CURRENT SOURCE

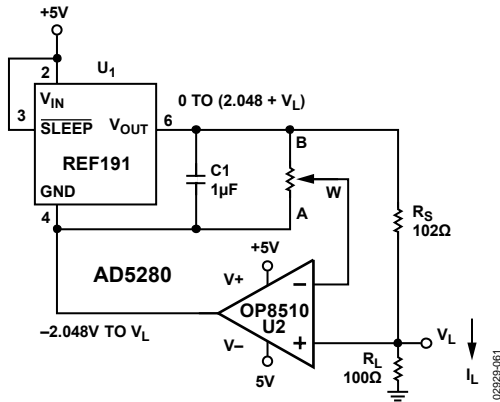


Figure 61. Programmable Current Source

A programmable current source can be implemented with the circuit shown in Figure 61. REF191 is a unique, low supply headroom and high current handling precision reference that can deliver 20 mA at 2.048 V. The load current is simply the load voltage across Terminal B to Terminal W of the digital potentiometer divided by  $R_s$ .

$$I_L = \frac{V_{REF} \times D}{R_s \times 2^N} \quad (8)$$

The circuit is simple, but attention must be paid to two things. First, dual-supply op amps are ideal because the ground potential of REF191 can swing from  $-2.048$  V at zero scale to  $V_L$  at full scale of the potentiometer setting. Although the circuit works under single supply, the programmable resolution of the system is reduced.

For applications that demand higher current capabilities, a few changes to the circuit in Figure 61 produce an adjustable current in the range of hundreds of milliamps. First, the voltage reference needs to be replaced with a high current, low dropout regulator, such as the ADP3333, and the op amp needs to be swapped with a high current dual-supply model, such as the AD8532. Depending on the desired range of current, an appropriate value for  $R_s$  must be calculated. Because of the high current flowing to the load, the user must pay attention to the load impedance so as not to drive the op amp beyond the positive rail.

## PROGRAMMABLE BIDIRECTIONAL CURRENT SOURCE

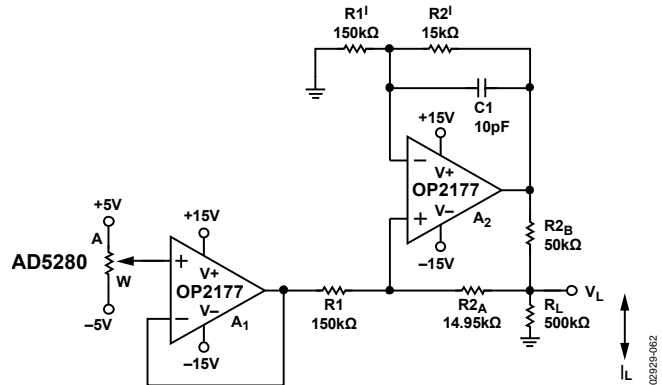


Figure 62. Programmable Bidirectional Current Source

For applications that require bidirectional current control or higher voltage compliance, a Howland current pump can be a solution (see Figure 62). If the resistors are matched, the load current is

$$I_L = -\frac{(R2_A + R2_B)}{R2_B} \times V_W \quad (9)$$

In theory,  $R2_B$  can be made as small as needed to achieve the current needed within the  $A_2$  output current driving capability. In this circuit, the OP2177 can deliver  $\pm 5$  mA in either direction, and the voltage compliance approaches 15 V. It can be shown that the output impedance is

$$Z_O = \frac{R1' \times R2_B (R1 + R2_A)}{R1 \times R2' - R1' (R2_A + R2_B)} \quad (10)$$

This output impedance can be infinite if Resistor  $R1'$  and Resistor  $R2'$  match precisely with  $R1$  and  $R2_A + R2_B$ , respectively. On the other hand, it can be negative if the resistors are not matched. As a result,  $C1$  must be in the range of 1 pF to 10 pF to prevent the oscillation.

**PROGRAMMABLE LOW-PASS FILTER**

In analog-to-digital conversion applications, it is common to include an antialiasing filter to band-limit the sampling signal. Dual-channel digital potentiometers can be used to construct a second-order Sallen key low-pass filter (see Figure 63). The design equations are

$$\frac{V_o}{V_i} = \frac{\omega_o^2}{S^2 + \frac{\omega_o}{Q}S + \omega_o^2} \tag{11}$$

$$\omega_o = \sqrt{\frac{1}{R1R2C1C2}} \tag{12}$$

$$Q = \frac{1}{R1C1} + \frac{1}{R2C2} \tag{13}$$

Users can first select some convenient values for the capacitors. To achieve maximally flat bandwidth where  $Q = 0.707$ , let  $C1$  be twice the size of  $C2$  and let  $R1 = R2$ . As a result,  $R1$  and  $R2$  can be adjusted to the same settings to achieve the desirable bandwidth.

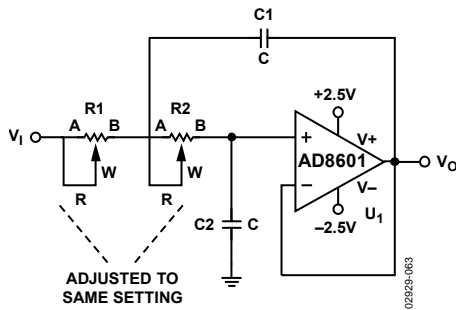


Figure 63. Sallen Key Low-Pass Filter

**PROGRAMMABLE OSCILLATOR**

In a classic Wien-bridge oscillator (Figure 64), the Wien network ( $R, R', C, C'$ ) provides positive feedback, while  $R1$  and  $R2$  provide negative feedback. At the resonant frequency,  $f_o$ , the overall phase shift is 0, and the positive feedback causes the circuit to oscillate. With  $R = R', C = C'$ , and  $R2 = R2A/(R2B + R_{diode})$ , the oscillation frequency is

$$\omega_o = \frac{1}{RC} \text{ or } f_o = \frac{1}{2\pi RC} \tag{14}$$

where  $R$  is equal to  $R_{WA}$  such that

$$R = \frac{256 - D}{256} R_{AB} \tag{15}$$

At resonance, setting the following balances the bridge:

$$\frac{R2}{R1} = 2 \tag{16}$$

In practice,  $R2/R1$  should be set slightly larger than 2 to ensure that oscillation can start. On the other hand, the alternate turn-on of Diode  $D1$  and Diode  $D2$  ensures that  $R2/R1$  are smaller than 2 momentarily and, therefore, stabilizes the oscillation.

Once the frequency is set, the oscillation amplitude can be tuned by  $R2B$  because

$$\frac{2}{3}V_o = I_D R2B + V_D \tag{17}$$

$V_o, I_D,$  and  $V_D$  are interdependent variables. With proper selection of  $R2B$ , an equilibrium is reached such that  $V_o$  converges.  $R2B$  can be in series with a discrete resistor to increase the amplitude, but the total resistance cannot be too large to prevent saturation of the output.

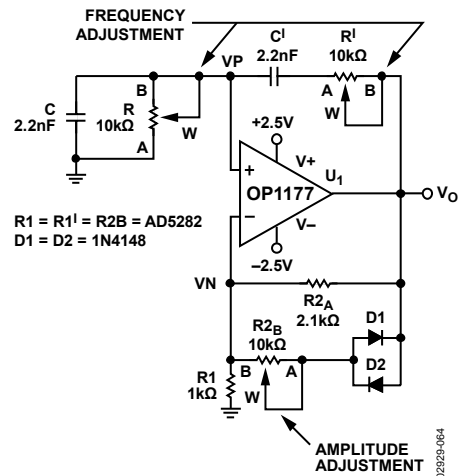


Figure 64. Programmable Oscillator with Amplitude Control

# AD5280/AD5282

## RDAC CIRCUIT SIMULATION MODEL

The internal parasitic capacitances and the external capacitive loads dominate the ac characteristics of the RDACs. Configured as a potentiometer divider, the  $-3$  dB bandwidth of the AD5280 (20 k $\Omega$  resistor) measures 310 kHz at half scale. Figure 24 provides the Bode plot characteristics of the three available resistor versions: 20 k $\Omega$ , 50 k $\Omega$ , and 200 k $\Omega$ . A parasitic simulation model is shown in Figure 65. A macro model net list for the 20 k $\Omega$  RDAC is provided.

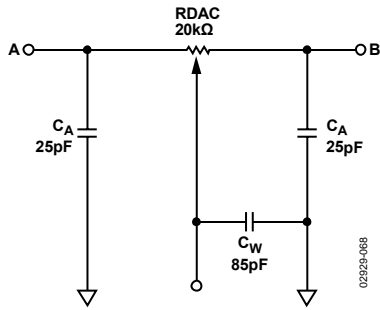


Figure 65. RDAC Circuit Simulation Model for RDAC = 20 k $\Omega$

## MACRO MODEL NET LIST FOR RDAC

```
.PARAM D=256, RDAC=20E3
*
.SUBCKT DPOT (A,W,B)
*
CA          A      0      25E-12
RWA         A      W      {(1-D/256)*RDAC+60}
CW          W      0      55E-12
RWB         W      B      {D/256*RDAC+60}
CB          B      0      25E-12
*
.ENDS DPOT
```



# OUTLINE DIMENSIONS

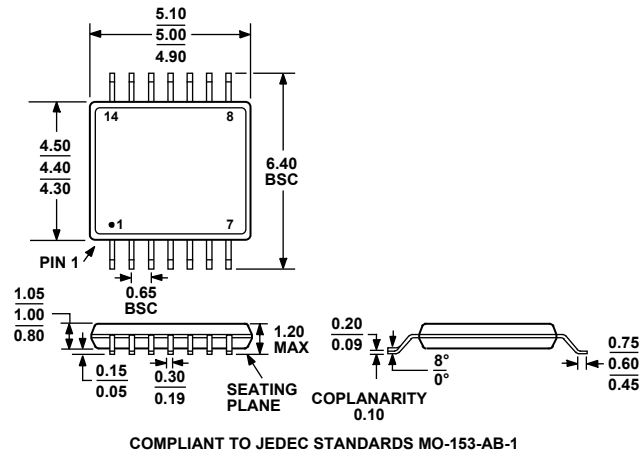


Figure 66. 14-Lead Thin Shrink Small Outline Package (TSSOP) (RU-14)  
 Dimensions shown in millimeters

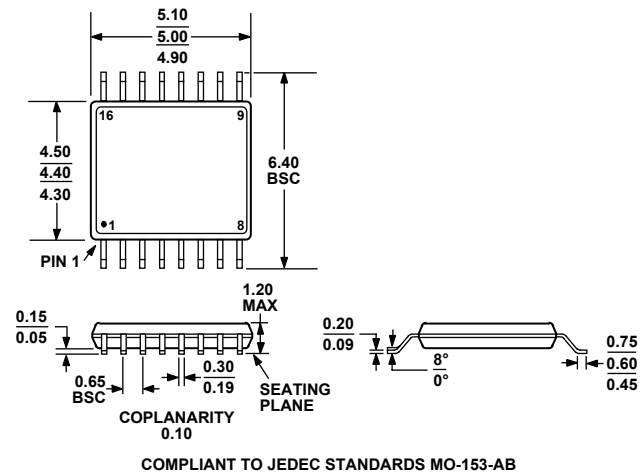


Figure 67. 16-Lead Thin Shrink Small Outline Package (TSSOP) (RU-16)  
 Dimensions shown in millimeters

# AD5280/AD5282

## ORDERING GUIDE

Model <sup>1</sup>	No. of Channels	R <sub>AB</sub> (kΩ)	Temperature Range	Package Description	Package Option	Ordering Quantity
AD5280BRU20	1	20	-40°C to +85°C	14-Lead TSSOP	RU-14	96
AD5280BRU20-REEL7	1	20	-40°C to +85°C	14-Lead TSSOP	RU-14	1,000
AD5280BRU50	1	50	-40°C to +85°C	14-Lead TSSOP	RU-14	96
AD5280BRU50-REEL7	1	50	-40°C to +85°C	14-Lead TSSOP	RU-14	1,000
AD5280BRU200	1	200	-40°C to +85°C	14-Lead TSSOP	RU-14	96
AD5280BRU200-REEL7	1	200	-40°C to +85°C	14-Lead TSSOP	RU-14	1,000
AD5280BRUZ20 <sup>2</sup>	1	20	-40°C to +85°C	14-Lead TSSOP	RU-14	96
AD5280BRUZ20-REEL7 <sup>2</sup>	1	20	-40°C to +85°C	14-Lead TSSOP	RU-14	1,000
AD5280BRUZ50 <sup>2</sup>	1	50	-40°C to +85°C	14-Lead TSSOP	RU-14	96
AD5280BRUZ50-REEL7 <sup>2</sup>	1	50	-40°C to +85°C	14-Lead TSSOP	RU-14	1,000
AD5280BRUZ200 <sup>2</sup>	1	200	-40°C to +85°C	14-Lead TSSOP	RU-14	96
AD5280BRUZ200-R7 <sup>2</sup>	1	200	-40°C to +85°C	14-Lead TSSOP	RU-14	1,000
AD5282BRU20	2	20	-40°C to +85°C	16-Lead TSSOP	RU-16	96
AD5282BRU20-REEL7	2	20	-40°C to +85°C	16-Lead TSSOP	RU-16	1,000
AD5282BRU50	2	50	-40°C to +85°C	16-Lead TSSOP	RU-16	96
AD5282BRU50-REEL7	2	50	-40°C to +85°C	16-Lead TSSOP	RU-16	1,000
AD5282BRU200	2	200	-40°C to +85°C	16-Lead TSSOP	RU-16	96
AD5282BRU200-REEL7	2	200	-40°C to +85°C	16-Lead TSSOP	RU-16	1,000
AD5282BRUZ20 <sup>2</sup>	2	20	-40°C to +85°C	16-Lead TSSOP	RU-16	96
AD5282BRUZ20-REEL7 <sup>2</sup>	2	20	-40°C to +85°C	16-Lead TSSOP	RU-16	1,000
AD5282BRUZ50 <sup>2</sup>	2	50	-40°C to +85°C	16-Lead TSSOP	RU-16	96
AD5282BRUZ50-REEL7 <sup>2</sup>	2	50	-40°C to +85°C	16-Lead TSSOP	RU-16	1,000
AD5282BRUZ200 <sup>2</sup>	2	200	-40°C to +85°C	16-Lead TSSOP	RU-16	96
AD5282BRUZ200-R7 <sup>2</sup>	2	200	-40°C to +85°C	16-Lead TSSOP	RU-16	1,000
AD5282-EVAL	2	20		Evaluation Board		

<sup>1</sup> Line 1 contains model number, Line 2 contains ADI logo followed by the end-to-end resistance value, and Line 3 contains date code YYWW.

<sup>2</sup> Z = RoHS Compliant Part.

## NOTES

**AD5280/AD5282**

**NOTES**