

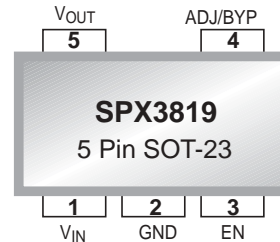
500mA, Low-Noise LDO Voltage Regulator

FEATURES

- Low Noise: 40 μ V Possible
- High Accuracy: 1%
- SOT-23 Package
- Low Dropout: 340mV at Full Load
- Low Quiescent Current: 90 μ A
- Zero Off-Mode Current
- Fixed Output: 1.8V, 2.5V, 3.0V, 3.1V, 3.3V, 5.0V
- Reverse Battery Protection

APPLICATIONS

- Battery Powered Systems
- Cordless Phones
- Radio Control Systems
- Portable/Palm Top/Notebook Computers
- Portable Consumer Equipment
- Portable Instrumentation
- Bar Code Scanners
- SMPS Post Regulators

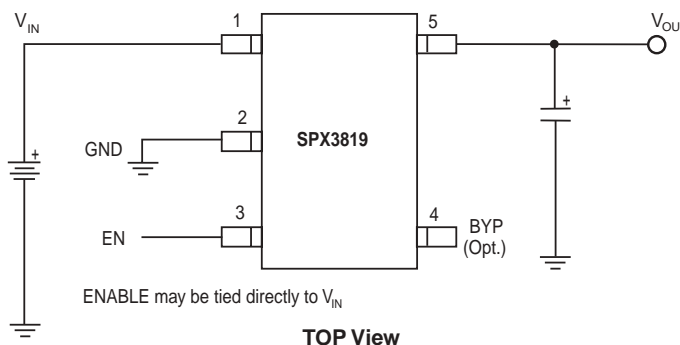


DESCRIPTION

The SPX3819 is a positive voltage regulator with a low dropout voltage and low noise output. In addition, this device offers a very low ground current of 800 μ A at 100mA output. The SPX3819 has an initial tolerance of less than 1% max and a logic compatible ON/OFF switched input. When disabled power consumption drop to nearly zero. Other key features include reverse battery protection, current limit, and thermal shutdown. The SPX3819 includes a reference bypass pin for optimal low noise output performance. With its very low output temperature coefficient, this device also makes a superior low power voltage reference.

The SPX3819 is an excellent choice for use in battery-powered applications such as cordless telephones, radio control systems, and portable computers. It is available in several fixed voltages 1.8V, 2.5V, 3.0V, 3.1V, 3.3V, 5.0V or with an adjustable output. This device is offered in SOIC-8 and 5-pin SOT-23.

TYPICAL APPLICATION CIRCUIT



ABSOLUTE MAXIMUM RATINGS

Power Dissipation	Internally Limited
Lead Temp. (Soldering, 5 Seconds)	260°C
Operating Junction Temperature Range	-40°C to +125°C
Input Supply Voltage	-20V to +20V
Enable Input Voltage	-20V to +20V

RECOMMENDED OPERATING CONDITIONS

Input Voltage	+2.5V to +16V
Operating Junction Temperature Range	-40°C to +125°C
Enable Input Voltage	0V to V_{IN}

ELECTRICAL CHARACTERISTICS

$T_J=25^\circ\text{C}$, $V_{OUT} + 1\text{V}$, $I_L=100\mu\text{A}$, $C_L=1\mu\text{F}$, and $V_{ENABLE} \geq 2.4\text{V}$. The \blacklozenge denotes the specifications which apply over full operating temperature range -40°C to $+85^\circ\text{C}$, unless otherwise specified.

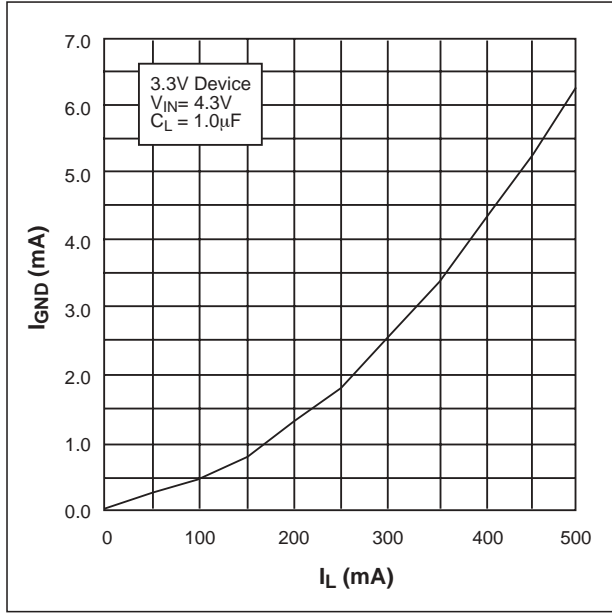
PARAMETER	MIN	TYP	MAX	UNITS		CONDITIONS
Output Voltage Tolerance	-1 -2		+1 +2	%	\blacklozenge	
Output Voltage Temperature Coef.		57		ppm/°C		
Line Regulation		0.04	0.1	%/V		$V_{IN}=V_{OUT} + 1\text{V}$ to 16V
Load Regulation		0.05	0.2	%		$I_L = 0.1\text{mA}$ to 500mA
Dropout Voltage ($V_{IN}-V_O$)(Note 2)		10	60 80	mV	\blacklozenge	$I_L = 100\mu\text{A}$
		125	175 250	mV	\blacklozenge	$I_L = 50\text{mA}$
		180	350 450	mV	\blacklozenge	$I_L = 150\text{mA}$
		340	550 700	mV	\blacklozenge	$I_L = 500\text{mA}$
Quiescent Current (I_{GND})		0.05 0.10	3 8	μA	\blacklozenge	$V_{ENABLE} \leq 0.4\text{V}$ $V_{ENABLE} \leq 0.25\text{V}$
Ground Pin Current (I_{GND})		90	150 190	μA	\blacklozenge	$I_L = 100\mu\text{A}$
		250	650 900	μA	\blacklozenge	$I_L = 50\text{mA}$
		1.0	2.0 2.5	mA	\blacklozenge	$I_L = 150\text{mA}$
		6.5	25.0 30.0	mA	\blacklozenge	$I_L = 500\text{mA}$
Ripple Rejection (PSRR)		70		dB		
Current Limit (I_{LIMIT})		800	950	mA	\blacklozenge	$V_{OUT} = 0\text{V}$
Output Noise (e_{NO})		300		μV_{RMS}		$I_L=10\text{mA}$, $C_L=1.0\mu\text{F}$, $C_{IN}=1\mu\text{F}$, (10Hz-100kHz)
		40		μV_{RMS}		$I_L=10\text{mA}$, $C_L=10\mu\text{F}$, $C_{BYP}=1\mu\text{F}$, $C_{IN}=1\mu\text{F}$, (10Hz-100kHz)
Input Voltage Level Logic Low (V_{IL})			0.4	V		OFF
Input Voltage Level Logic High (V_{IH})	2			V		ON
ENABLE Input Current		0.01 2	2 20	μA		$V_{IL} \leq 0.4\text{V}$ $V_{IH} \leq 2.0\text{V}$
Thermal Resistance (Note 1)		220		°C/W	\blacklozenge	SOT-23-5 / Junction to Ambient
		180		°C/W	\blacklozenge	SO-8 / Junction to Ambient

NOTES

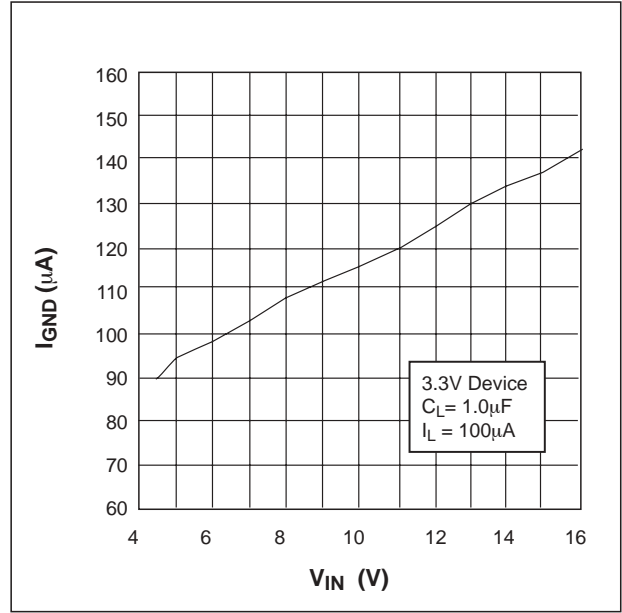
Note 1: The maximum allowable power dissipation is a function of maximum operating junction temperature, $T_{J(max)}$ the junction to ambient thermal resistance, and the ambient θ_{JA} , and the ambient temperature T_A . The maximum allowable power dissipation at any ambient temperature is given: $P_{D(max)} = (T_{J(max)} - T_A) / \theta_{JA}$, exceeding the maximum allowable power limit will result in excessive die temperature; thus, the regulator will go into thermal shutdown. The θ_{JA} of the SPX3819 is 220°C/W mounted on a PC board.

Note 2: Not applicable to output voltage 2V or less.

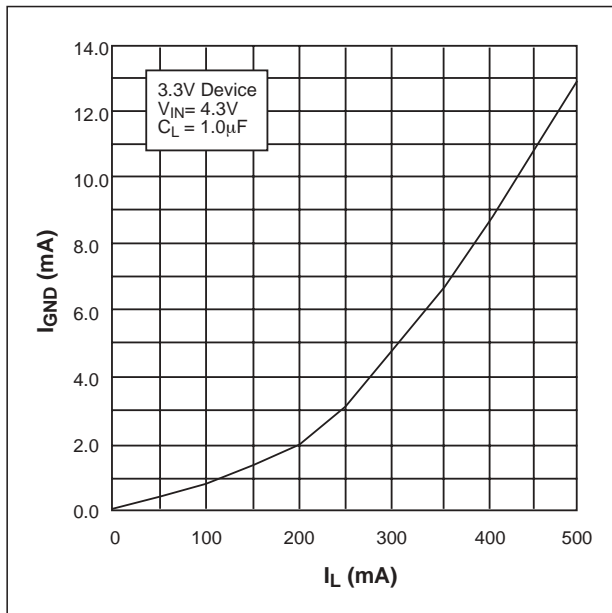
TYPICAL PERFORMANCE CHARACTERISTICS



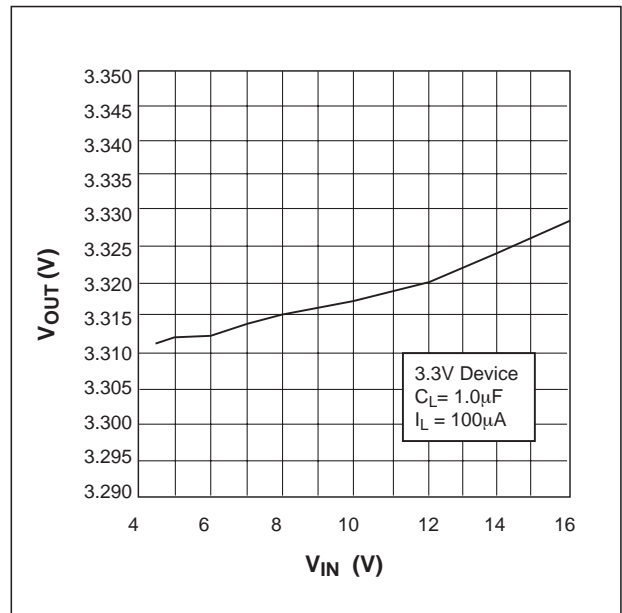
Ground Current vs Load Current



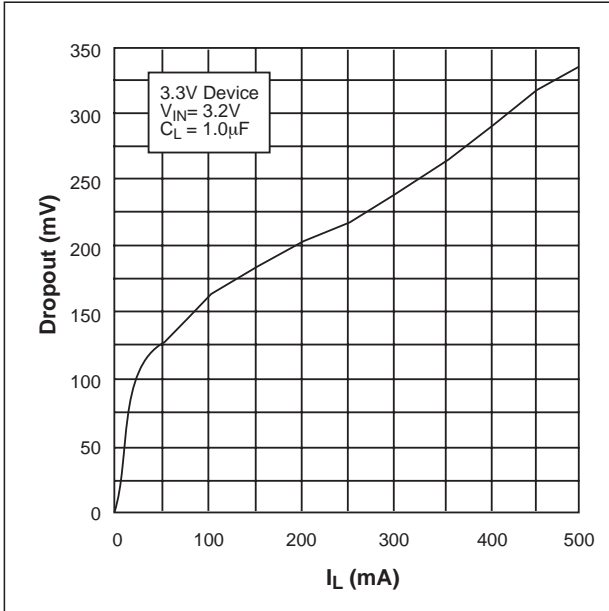
Ground Current vs Input Voltage



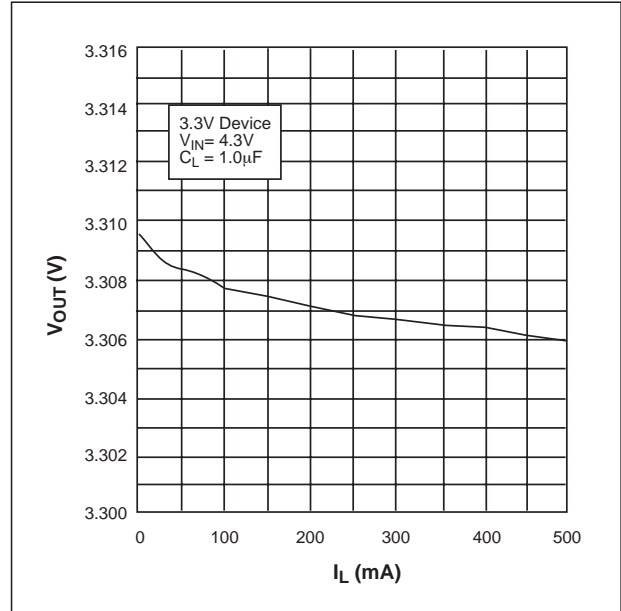
Ground Current vs Load Current in Dropout



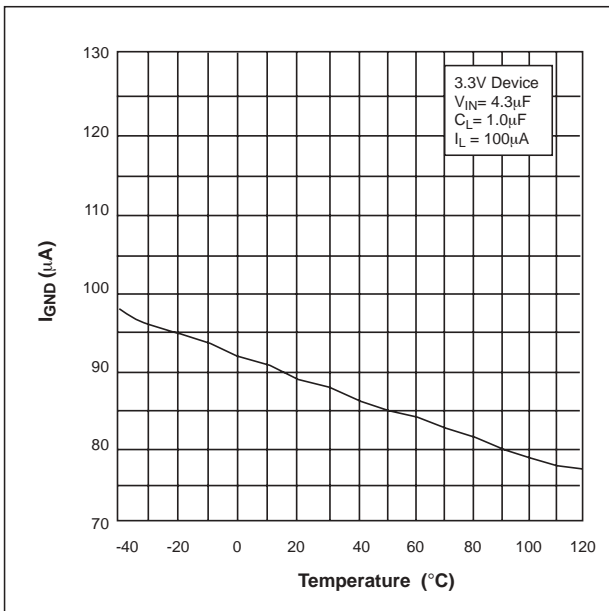
Output Voltage vs Input Voltage



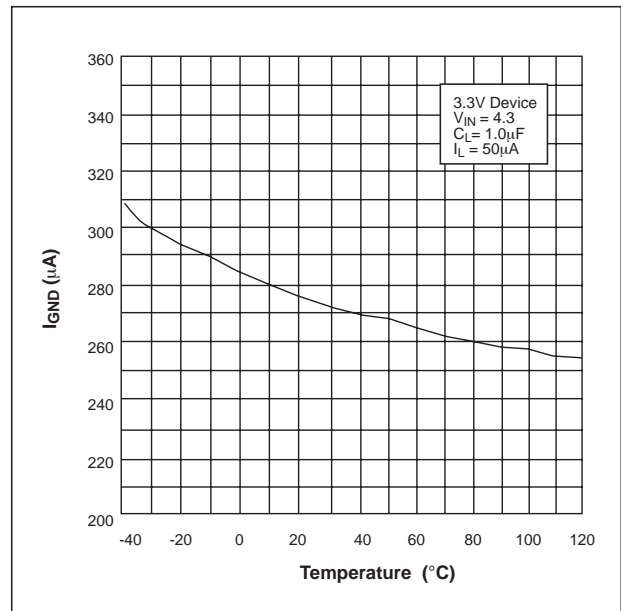
Dropout Voltage vs Load Current



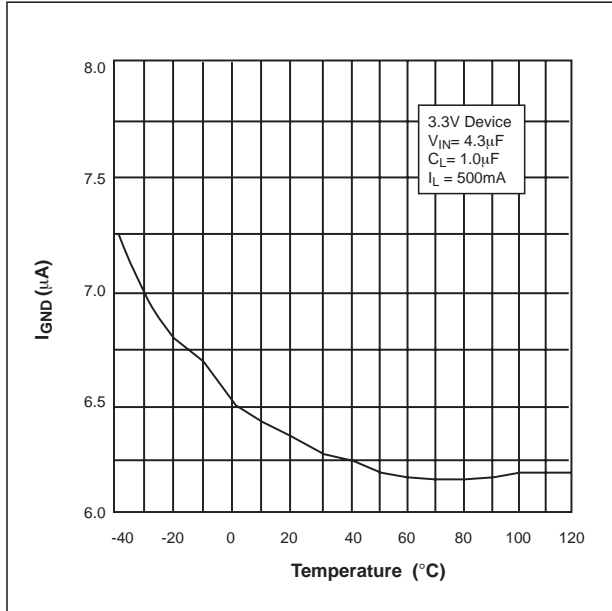
Output Voltage vs Load Current



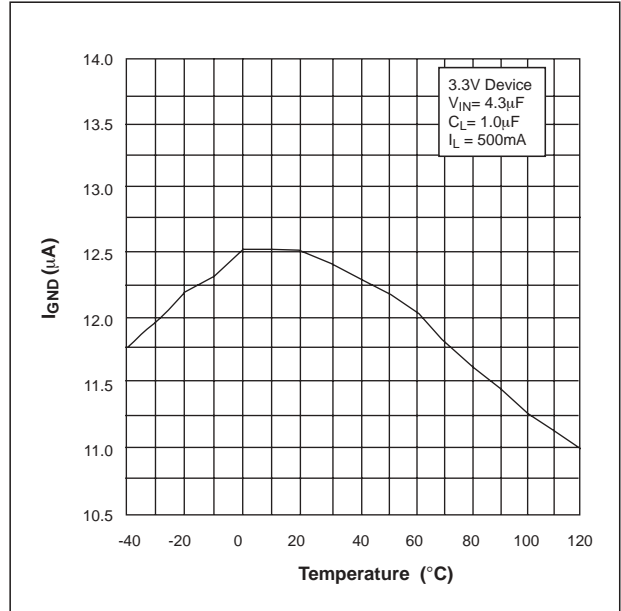
Ground Current vs Temperature with 100µA Load



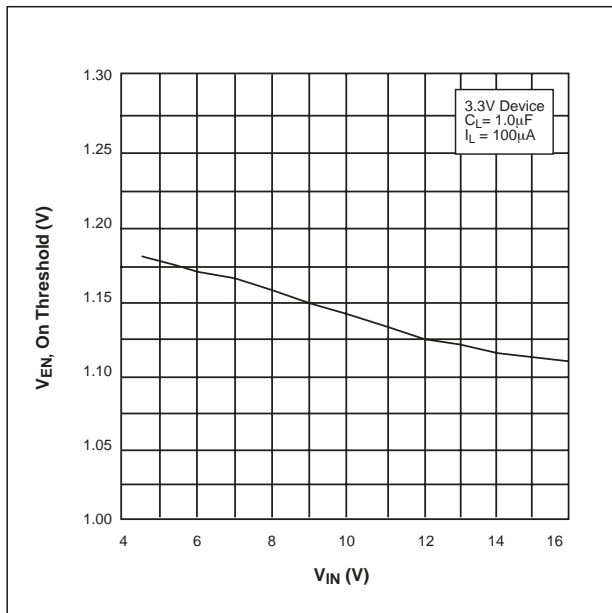
Ground Current vs Temperature with 50mA Load



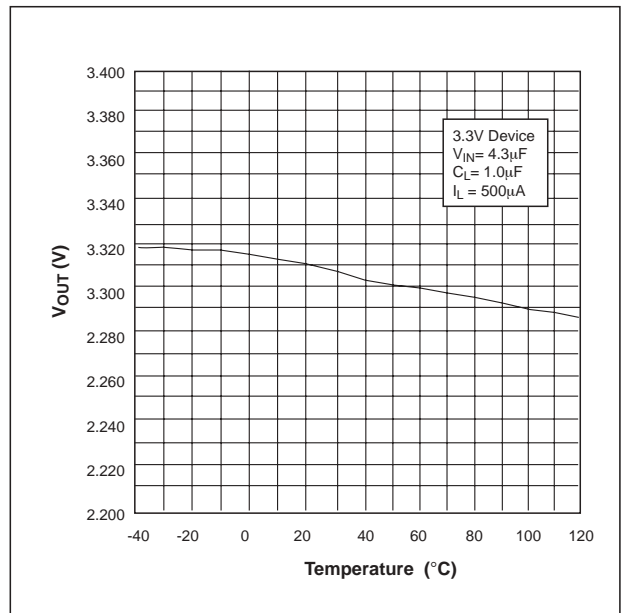
Ground Current vs Temperature with 500mA Load



Ground Current vs Temperature in Dropout

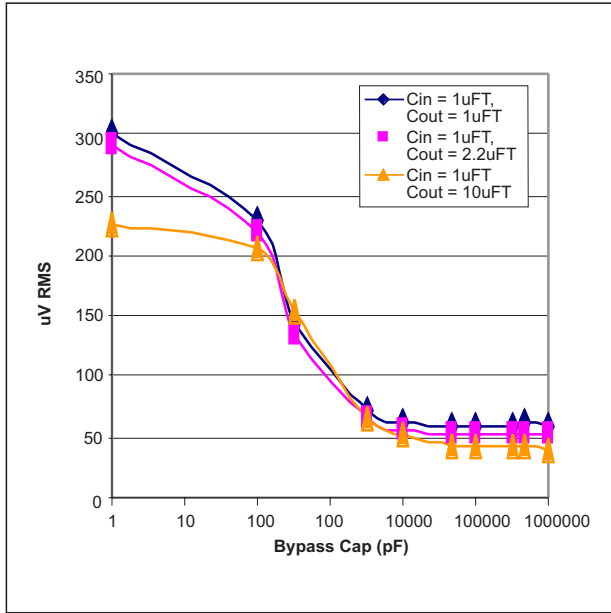


ENABLE Voltage, ON threshold, vs Input Voltage

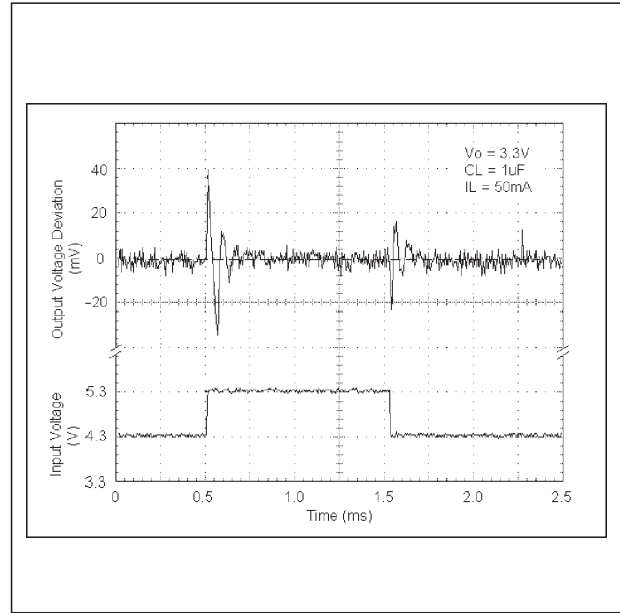


Output Voltage vs Temperature

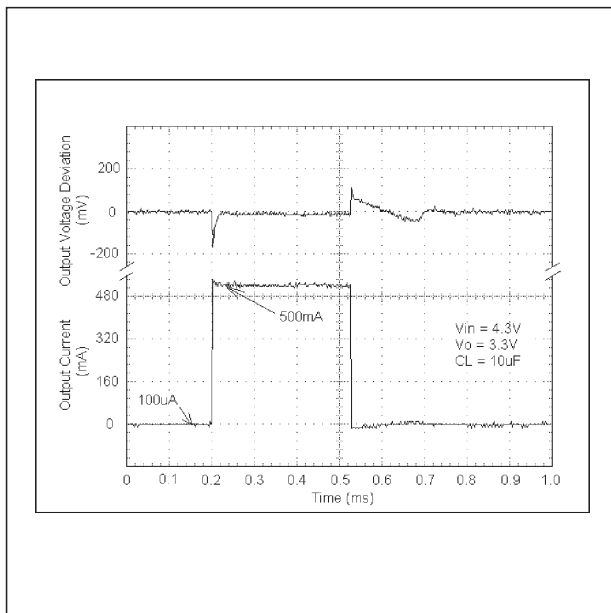
TYPICAL PERFORMANCE CHARACTERISTICS: Continued



Output Noise vs Bypass Capacitor Value $I_L = 10mA$, 10Hz - 100kHz



Line Transient Response for 3.3V Device



Load Transient Response for 3.3V Device

The SPX3819 requires an output capacitor for device stability. Its value depends upon the application circuit. In general, linear regulator stability decreases with higher output currents. In applications where the SPX3819 is putting out less current, a lower output capacitance may be sufficient. For example, a regulator sourcing only 10mA, requires approximately half the capacitance as the same regulator sourcing 150mA.

Bench testing is the best method for determining the proper type and value of the capacitor since the high frequency characteristics of electrolytic capacitors vary widely, depending on type and manufacturer. A high quality 2.2 μ F aluminum electrolytic capacitor works in most application circuits, but the same stability often can be obtained with a 1 μ F tantalum electrolytic.

With the SPX3819 adjustable version, the minimum value of output capacitance is a function of the output voltage. The value decreases with higher output voltages, since closed loop gain is increased.

Typical Applications Circuits

A 10 μ F capacitor on BYP pin will significantly reduce output noise but it may be left unconnected if the output noise is not a major concern.

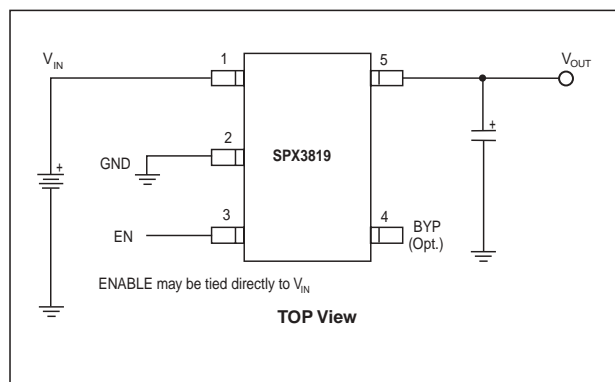


Figure 1. Standard Application Circuit

The SPX3819 start-up speed is inversely proportional to the size of the BYP capacitor. Applications requiring a slow ramp-up of the output voltage should use a larger C_{BYP} . However, if a rapid turn-on is necessary, the BYP capacitor can be omitted.

The SPX3819's internal reference is available through the BYP pin.

Figure 1 represents a SPX3819 standard application circuit. The EN (enable) pin is pulled high (>2.0V) to enable the regulator.

To disable the regulator, $EN < 0.4V$.

The SPX3819 in Figure 2 illustrates a typical adjustable output voltage configuration. Two resistors (R_1 and R_2) set the output voltage. The output voltage is calculated using the formula:

$$V_{OUT} = 1.235V \times [1 + R_1/R_2]$$

R_2 must be > 10 k Ω and for best results, R_2 should be between 22 k Ω and 47k Ω . A capacitor placed between Adj and ground will provide improved noise performance.

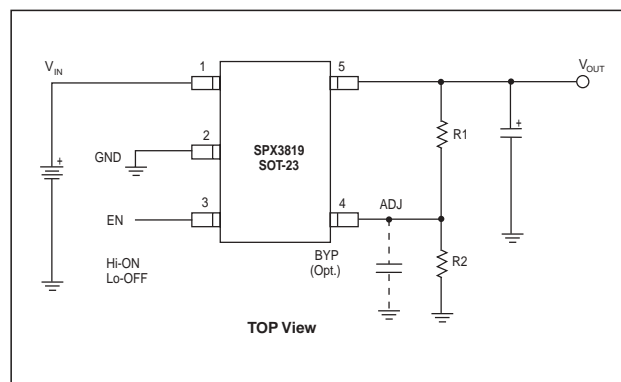
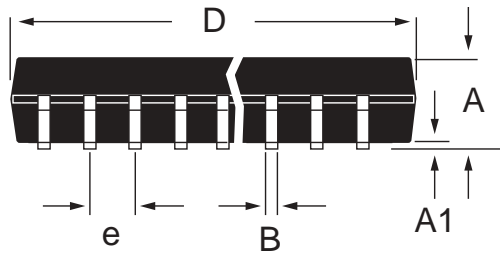
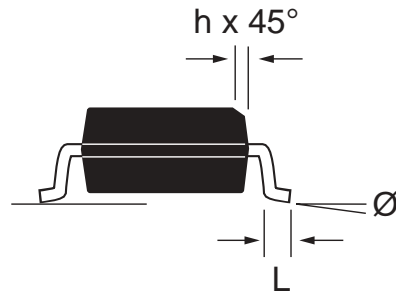
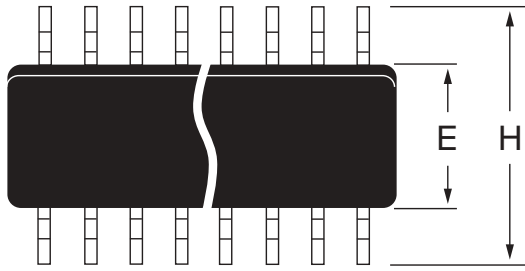
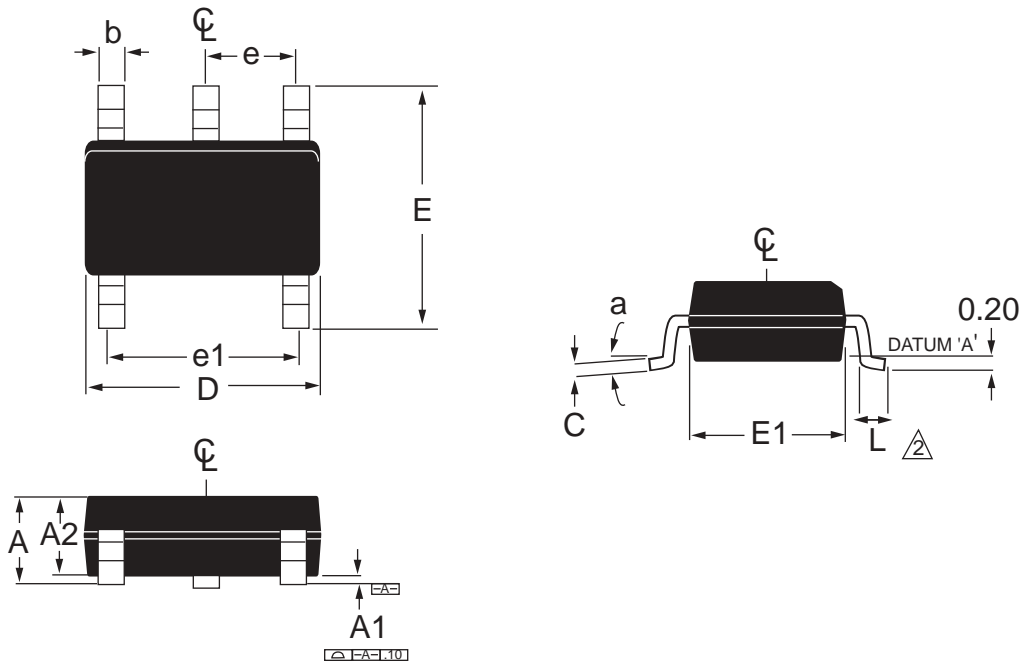


Figure 2. Typical Adjustable Output Voltage Configuration



DIMENSIONS (Inches) Minimum/Maximum (mm)	8-PIN
A	0.053/0.069 (1.346/1.748)
A1	0.004/0.010 (0.102/0.249)
B	0.014/0.019 (0.35/0.49)
D	0.189/0.197 (4.80/5.00)
E	0.150/0.157 (3.802/3.988)
e	0.050 BSC (1.270 BSC)
H	0.228/0.244 (5.801/6.198)
h	0.010/0.020 (0.254/0.498)
L	0.016/0.050 (0.406/1.270)
\varnothing	$0^\circ/8^\circ$ ($0^\circ/8^\circ$)

PLASTIC SMALL OUTLINE (SOIC) (NARROW)



SYMBOL	MIN	MAX
A	0.90	1.45
A1	0.00	0.15
A2	0.90	1.30
b	0.25	0.50
C	0.09	0.20
D	2.80	3.10
E	2.60	3.00
E1	1.50	1.75
L	0.35	0.55
e	0.95ref	
e1	1.90ref	
a	0°	10°

5 Lead SOT23

ORDERING INFORMATION

PART NUMBERS	ACC.	OUTPUT VOLTAGE	PACKAGE TYPE
SPX3819S	1%	Adj	SOIC-8
SPX3819S-1.8	1%	1.8V	SOIC-8
SPX3819S-2.5	1%	2.5V	SOIC-8
SPX3819S-3.0	1%	3.0V	SOIC-8
SPX3819S-3.1	1%	3.1V	SOIC-8
SPX3819S-3.3	1%	3.3V	SOIC-8
SPX3819S-5.0	1%	5.0V	SOIC-8
SPX3819M5	1%	Adj	SOT-23-5
SPX3819M5-1.8	1%	1.8V	SOT-23-5
SPX3819M5-2.5	1%	2.5V	SOT-23-5
SPX3819M5-3.0	1%	3.0V	SOT-23-5
SPX3819M5-3.1	1%	3.1V	SOT-23-5
SPX3819M5-3.3	1%	3.3V	SOT-23-5
SPX3819M5-5.0	1%	5.0V	SOT-23-5

Please consult the factory for pricing and availability on a Tape-On-Reel option.



ANALOG EXCELLENCE

Sipex Corporation

Headquarters and Sales Office

233 South Hillview Drive
Milpitas, CA 95035
TEL: (408) 934-7500
FAX: (408) 935-7600

Sales Office

22 Linnell Circle
Billerica, MA 01821
TEL: (978) 667-8700
FAX: (978) 670-9001
e-mail: sales@sipex.com

Sipex Corporation reserves the right to make changes to any products described herein. Sipex does not assume any liability arising out of the application or use of any product or circuit described herein; neither does it convey any license under its patent rights nor the rights of others.