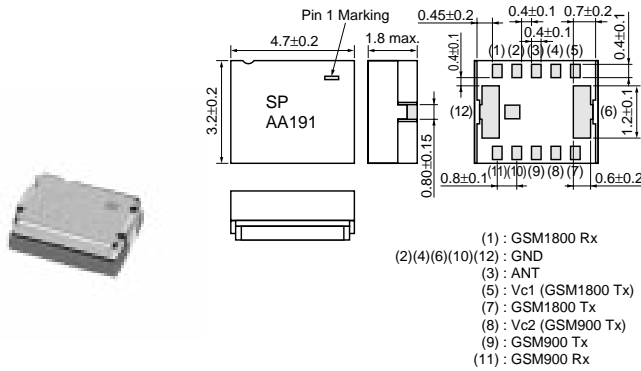


RF Diode Switches

SWITCHPLEXER®



All the technical data and information contained herein are subject to change without prior notice. (in mm)

Part Number	Frequency Range (Band1 Tx) (MHz)	Frequency Range (Band1 Rx) (MHz)	Frequency Range (Band2-1 Tx) (MHz)	Frequency Range (Band2-1 Rx) (MHz)	Frequency Range (Band2-2 Tx) (MHz)	Frequency Range (Band2-2 Rx) (MHz)	Insertion Loss (Band1 Tx-ANT) (dB)	Insertion Loss (ANT-Band1 Rx) (dB)	Insertion Loss (Band2 Tx-ANT) (dB)	Insertion Loss (ANT-Band2-1 Rx) (dB)	Insertion Loss (ANT-Band2-2 Rx) (dB)
LMSP43AA-191	f _{tl} :897.5 ±17.5MHz	942.5 ±17.5MHz	f _{th} :1747.5 ±37.5MHz	1842.5 ±37.5MHz	f _{th} :1747.5 ±37.5MHz	1842.5 ±37.5MHz	1.3 max. (at 25°C)	1.0 max. (at 25°C)	1.15 max. (at 25°C)	0.9 max. (at 25°C)	0.9 max. (at 25°C)
LMSP54AA-097	f _{tl} :897.5 ±17.5MHz	942.5 ±17.5MHz	f _{th} :1747.5 ±37.5MHz	1842.5 ±37.5MHz	f _{th} :1747.5 ±37.5MHz	1842.5 ±37.5MHz	1.2 max. (at 25°C)	1.0 max. (at 25°C)	1.2 max. (at 25°C)	1.0 max. (at 25°C)	1.0 max. (at 25°C)
LMSP54CA-141	f _{tl} :897.5 ±17.5MHz	942.5 ±17.5MHz	f _{dth} :1747.5 ±37.5MHz	1842.5 ±37.5MHz	f _{dth} :1747.5 ±37.5MHz	1842.5 ±37.5MHz	1.2 max. (at 25°C)	1.0 max. (at 25°C)	1.55 max. (at 25°C)	1.2 max. (at 25°C)	1.2 max. (at 25°C)
LMSP54CA-142	f _{tl} :897.5 ±17.5MHz	942.5 ±17.5MHz	f _{dth} :1747.5 ±37.5MHz	1842.5 ±37.5MHz	f _{dth} :1747.5 ±37.5MHz	1842.5 ±37.5MHz	1.2 max. (at 25°C)	1.0 max. (at 25°C)	1.55 max. (at 25°C)	1.2 max. (at 25°C)	1.2 max. (at 25°C)