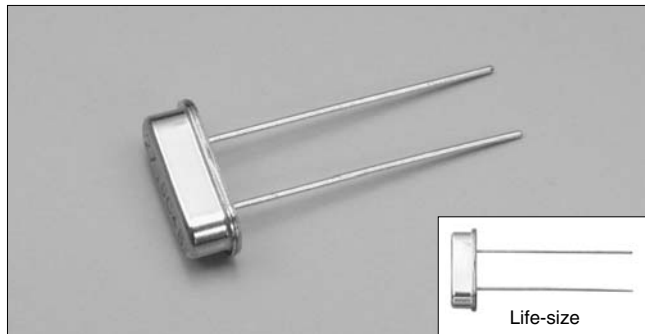


RoHS Compliant Optional

HC-49/U-S

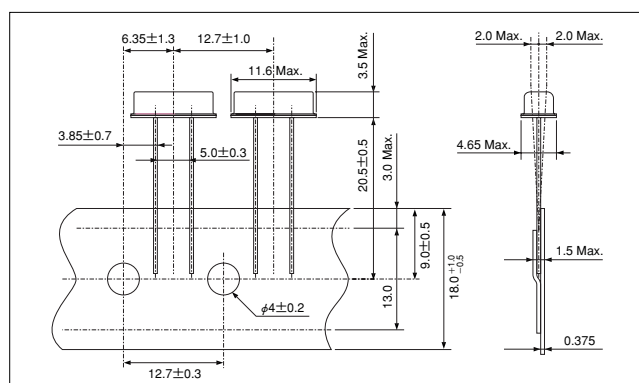
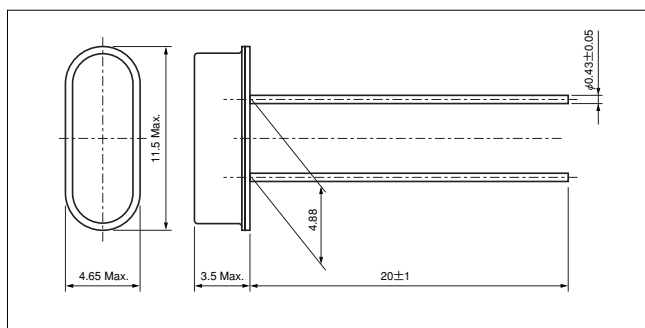


FEATURES

- High performance miniature crystal units with Citizen's ultra-precise processing technology.
- Available in Tape and reel form.
- Suitable for various applications such as communication, AV, automotive and measurement devices.

Taping dimension : 2000pcs/Ammo pack [mm]

DIMENSION [mm]



STANDARD SPECIFICATIONS

Item	Model	HC-49/U-S	Conditions
Nominal Frequency	f ₀	3.5MHz~30.0MHz (Fundamental)	Need to contact us for the available frequency
		30.0MHz~50.0MHz (3rd Overtone)	
Frequency Tolerance	Δf/f ₀	±30ppm	at 25°C
Frequency Tolerance over Operating Temperature Range	Δf/f ₀	below 6.0MHz : ±50ppm	-10°C ~ +60°C See figure 3 in P4
		above 6.0MHz : ±30ppm	
Operating Temperature Range	T _{OPR}	-20°C ~ +70°C	
Storage Temperature Range	T _{STR}	-40°C ~ +85°C	
Motional (series) resistance	R ₁	Refer to the following table	at 25°C
Load capacitance	C _L	16.0pF, 18.0pF	Need to specify your requirement
Shunt capacitance	C ₀	7.0pF Max.	
Level of drive	DL	100 μW Max.	
Insulation Resistance	I _R	500MΩ Min.	DC100V±15V
Aging (first year)	Δf/f ₀	±5ppm Max.	25°C ±3°C

MOTIONAL (SERIES) RESISTANCE (R₁)

Frequency Range	3.5MHz ≤ f ₀ < 4.0MHz	4.0MHz ≤ f ₀ < 6.0MHz	6.0MHz ≤ f ₀ < 10MHz	10MHz ≤ f ₀ < 14MHz	14MHz ≤ f ₀ < 30MHz	30MHz ≤ f ₀ < 36MHz	36MHz ≤ f ₀ ≤ 50MHz
Mode	Fundamental	Fundamental	Fundamental	Fundamental	Fundamental	3rd Overtone	3rd Overtone
R ₁	200 Ω Max.	150 Ω Max.	100 Ω Max.	80 Ω Max.	50 Ω Max.	140 Ω Max.	100 Ω Max.