

Miniature Single-pole Relay with 80-A Surge Current and 20-A Switching Current

- ROHS compliant.
- Ideal for motor switching.
- Miniature, relay with high switching power and long endurance.
- Creepage distance conforms to UL, CSA and EN standards.
- Highly noise-resistant insulation materials employed.
- Standard model available with flux protection construction.



Ordering Information

Classification	Contact Form	Model
#250 tab terminals/PCB coil terminals	SPST-NO	G4A-1A-E
PCB terminals/PCB coil terminals		G4A-1A-PE

Note: When ordering, add the rated coil voltage to the model number.
 Example: G4A-1A-E 12 VDC

Rated coil voltage

Model Number Legend

G4A-□□-□□ □ VDC
 1 2 3 4 5

1. Number of Poles

1: 1 pole

2. Contact Form

A: SPST-NO

3. Terminals

None: #250 tab/PCB coil terminals
 P: Straight PCB/PCB terminals

4. Special Function

E: For long endurance

5. Rated Coil Voltage

5, 12, 24 VDC

Specifications

■ Coil Rating

Rated voltage	5 VDC	12 VDC	24 VDC
Rated current	180 mA	75 mA	37.5 mA
Coil resistance	27.8Ω	160Ω	640Ω
Coil inductance (ref. value)	Armature OFF	0.8 H	3.5 H
	Armature ON	1.1 H	4.8 H
Must operate voltage	70% of rated voltage max.		
Must release voltage	10% of rated voltage min.		
Max. permissible voltage	160% of rated voltage at (23°)		
Power consumption	Approx. 0.9 W		

Note: 1. The rated current and coil resistance are measured at a coil temperature of 23°C with a tolerance of ±10%.

2. Operating characteristics are measured at a coil temperature of 23°C.

3. Max. permissible voltage refers to the maximum value in a varying range of operating power voltage, not a continuous voltage.

■ Contact Ratings

Rated load	20 A at 250 VAC
Rated carry current	20 A
Max. switching voltage	250 VAC
Max. switching current	20 A
Max. switching power	5,000 VA
Failure rate (ref. value)	100 mA at 5 VDC

Note: P level: $\lambda_{60} = 0.1 \times 10^{-6}$ /operation (with an operating frequency of 120 operations/min).

■ Endurance

with Motor Load

Load conditions	Switching frequency	Electrical endurance
250 VAC: Inrush current: 80 A, 0.3 s ($\cos\phi = 0.7$) Break current: 20 A ($\cos\phi = 0.9$)	ON: 1.5 s OFF: 1.5 s	200,000 operations

With Overload

Load conditions	Switching frequency	Electrical endurance
250 VAC: Inrush current: 80 A ($\cos\phi = 0.7$) Break current: 80 A ($\cos\phi = 0.7$)	ON: 1.5 s OFF: 99 s	1,500 operations

With Inverter Load

Load conditions	Switching frequency	Electrical endurance
100 VAC: Inrush current: 200 A (0-P) Break current: 20 A	ON: 3 s OFF: 5 s	30,000 operations

■ Characteristics

Contact resistance	100 m Ω max.
Operate time	20 ms max.
Release time	10 ms max.
Max. Operating Frequency	Mechanical: 18,000 operations/hr
Insulation resistance	1000 M Ω max. (at 500 VDC)
Insulation resistance	100 M Ω max. (at 500 VDC)
Dielectric strength	4,500 VAC 50/60 Hz for 1 min between coil and contacts 1,000 VAC 50/60 Hz for 1 min between contacts of same polarity
Shock resistance	Destruction: 1,000 m/s ² Malfunction: 200 m/s ²
Vibration resistance	Destruction: 10 to 55 to 10 Hz, 0.75-mm single amplitude (1.5-mm double amplitude) Malfunction: 10 to 55 to 10 Hz, 0.75-mm single amplitude (1.5-mm double amplitude)
Endurance	Mechanical: 2,000,000 operations min. (at 18,000 operations/hr) Motor load: 100,000 operations min. (ON/OFF: 1.5 s) Inverter load: 30,000 operations min. (ON: 3 s, OFF: 5 s)
Ambient temperature	Operating: -20°C to 60°C (with no icing)
Ambient humidity	Operating: 5% to 85%
Weight	Approx. 25 g

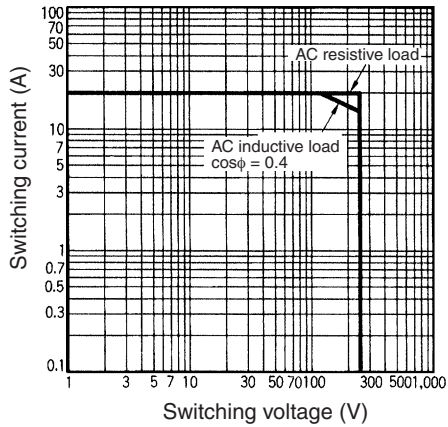
Note: The data shown above are initial values.

DIN EN 61810-1/EN 60255-23 (VDE Reg. No. 6673)

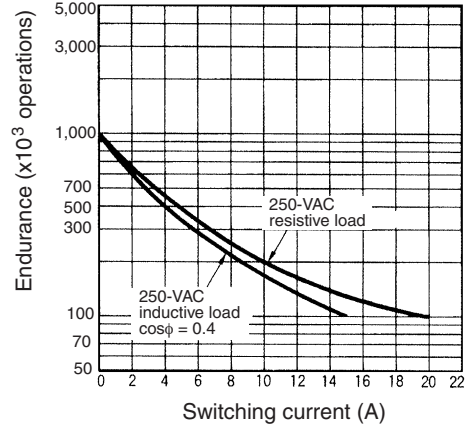
Model	Coil ratings	Contact ratings
G4A-1A	5 to 48 VDC	20A, 250VAC

Engineering Data

Maximum Switching Power



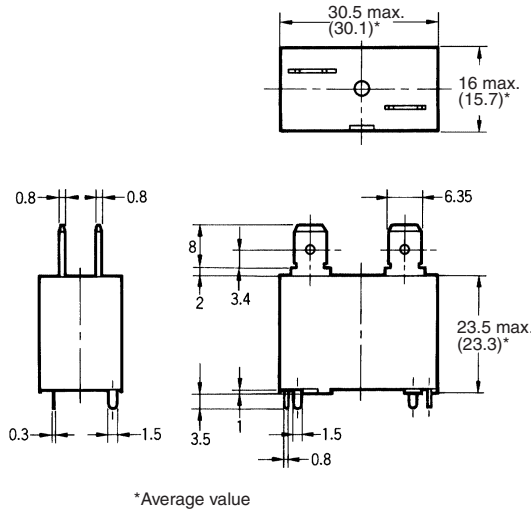
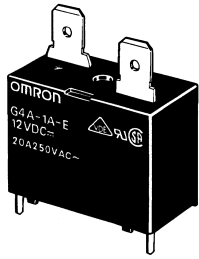
Endurance



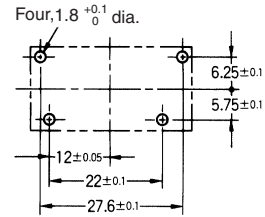
Dimensions

Note: All units are in millimeters unless otherwise indicated; dimensions shown in parentheses are in inches.

G4A-1A-E

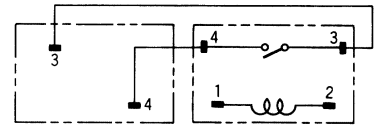


Mounting Holes (Bottom View)



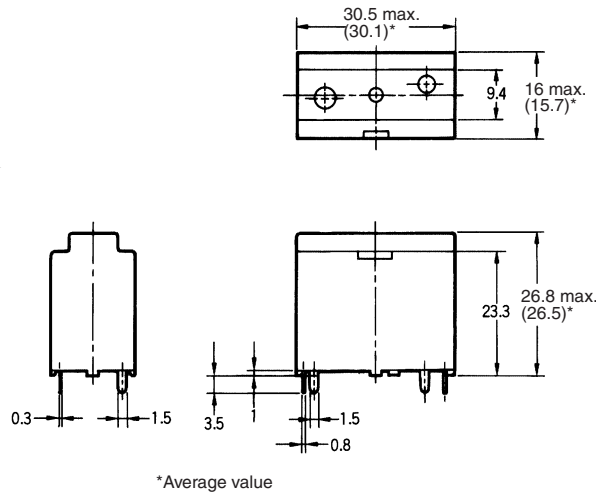
Terminal Arrangement /Internal Connections

(Top View) (Bottom View)

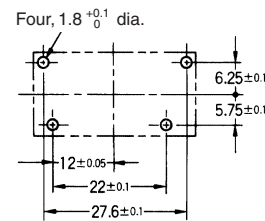


Tab Terminal PCB Terminal

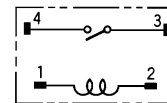
G4A-1A-PE



Mounting Holes (Bottom View)



Terminal Arrangement /Internal Connections (Bottom View)



Precautions

Mounting

When mounting two or more relays side by side, provide a minimum space of 3 mm between relays.

Terminal Connection

The terminals fit FASTON receptacle 250 and are suitable for positive-lock mounting. Do not apply excessive force on the terminals when mounting or dismounting the relay. The following positive-lock connectors made by AMP are recommended.

Type	Receptacle terminals	Positive housing
#250 terminals (width: 6.35 mm)	AMP 170333-1 (170327-1) AMP 170334-1 (170328-1) AMP 170335-1 (170329-1)	AMP 172076-1 natural color AMP 172076-4 yellow AMP 172076-5 green AMP 172076-6 blue

Note: The numbers shown in parentheses are for air-feeding.