

**TRIPLE DIFFUSED PLANER TYPE
HIGH VOLTAGE, HIGH SPEED SWITCHING**

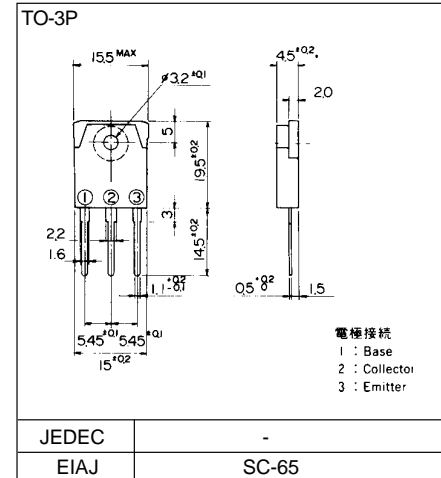
■ **Features**

- High D.C. current gain
- High reliability

■ **Applications**

- Switching regulators
- General purpose power amplifiers

■ **Outline Drawings**



■ **Maximum ratings and characteristic**

- Absolute maximum ratings ($T_c=25^\circ\text{C}$ unless otherwise specified)

Item	Symbol	Rating	Unit
Collector-Base voltage	V_{CB0}	600	V
Collector-Emitter voltage	V_{CE0}	600	V
Collector-Emitter voltage	$V_{CE0(SUS)}$	450	V
Emitter-Base voltage	V_{EBO}	6	V
Collector current	I_C	12	A
Base current	I_B	1	A
Collector power dissipation	P_C	100	W
Operating junction temperature	T_j	+150	$^\circ\text{C}$
Storage temperature	T_{stg}	-55 to +150	$^\circ\text{C}$

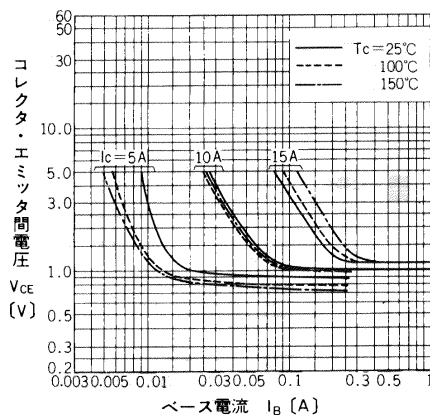
- Electrical characteristics ($T_c=25^\circ\text{C}$ unless otherwise specified)

Item	Symbol	Test Conditions	Min.	Typ.	Max.	Units
Collector-Base voltage	V_{CB0}	$I_{CBO} = 1\text{mA}$	600			V
Collector-Emitter voltage	V_{CE0}	$I_{CEO} = 1\text{mA}$	600			V
Collector-Emitter voltage	$V_{CE0(SUS)}$	$I_C = 1\text{A}$	450			V
Emitter-Base voltage	V_{EBO}	$I_{EBO} = 200\text{mA}$	6			V
Collector-Base leakage current	I_{CBO}	$V_{CB0} = 600\text{V}$			1.0	mA
Emitter-Base leakage current	I_{EBO}	$V_{EBO} = 6\text{V}$			200	mA
D.C. current gain	h_{FE}	$I_C = 12\text{A}, V_{CE} = 5\text{V}$	100			
Collector-Emitter saturation voltage	$V_{CE(Sat)}$	$I_C = 12\text{A}, I_B = 240\text{mA}$			2.0	V
Base-Emitter saturation voltage	$V_{BE(Sat)}$				2.2	V
*1	t_{on}	$I_C = 12\text{A}, I_{B1} = 240\text{mA}$			1.5	μs
Switching time	t_{stg}	$I_{B2} = -240\text{mA}, R_L = 20$			10	μs
	t_f	$P_W = 20 \mu\text{s}$ Duty=<2%			2.0	μs

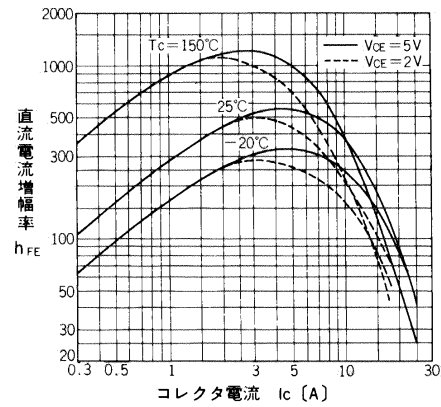
● **Thermal characteristics**

Item	Symbol	Test Conditions	Min.	Typ.	Max.	Units
Thermal resistance	$R_{th(j-c)}$	Junction to case			1.25	$^\circ\text{C/W}$

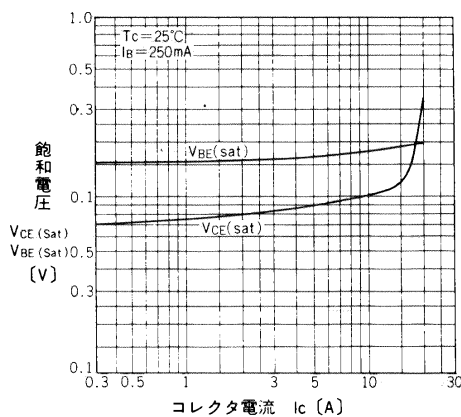
Characteristics



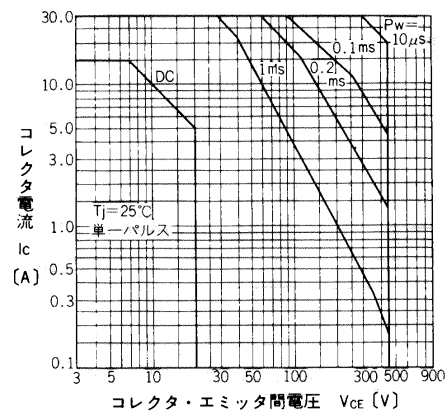
出力特性
Collector Output Characteristics



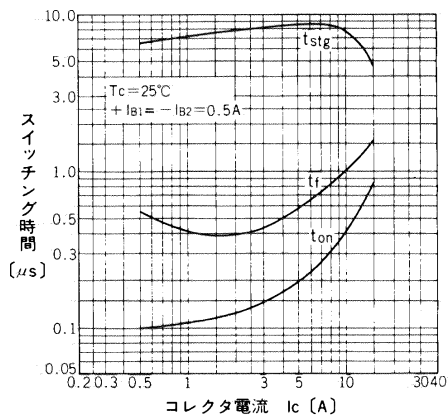
直流電流増幅率—コレクタ電流特性
DC Current Gain



飽和電圧—コレクタ電流特性
Base and Collector Saturation Voltage



安全動作領域特性
Safe Operating Area



スイッチング時間—コレクタ電流特性
Switching Time

スイッチングタイム測定回路
*) Switching Time Test Circuit

