

Model. No.	FYL-5012PD1C
Rev.	A

PRODUCT SPECIFICATION

Model No.: FYL-5012PD1C

Descriptions:
■ Emitting Color: Photo diode.
■ Device Outline: Φ5mm round type.
■ Lens Type: Deep blue.



CUSTOMER APPROVED SIGNATURES	APPROVED BY	CHECKED BY	PREPARED BY

NINGBO FORYARD OPTOELECTRONICS CO.,LTD.

Add: NO.115 Qixin Road Ningbo Zhejiang China

Tel: 0086-574-87933652 87927870 87922206

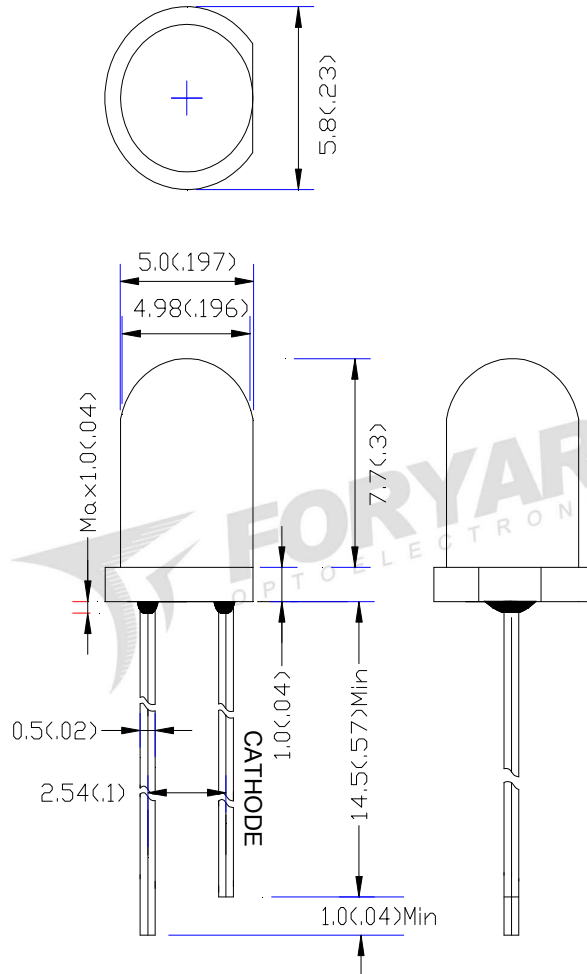
Fax: 0086-574-87927917

E-mail: Sales@foryard.com (General)

[Http://www.foryard.com](http://www.foryard.com)

Zip: 315051

■ Package configuration



Notes:

1. All dimensions are millimeters (inches)
2. Tolerance is $\pm 0.25\text{mm}$ (.010") unless otherwise noted.
3. The specifications, characteristics and technical data described in the datasheet are subject to change without prior notice.

■ Absolute maximum ratings($T_a=25\text{ }^\circ\text{C}$)

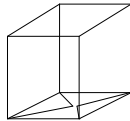
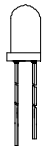
Parameter	Symbol	Min.	Typ.	Max.	Unit	Test Condition
Reverse Breakdown Voltage	V_{BR}	35	170	-	V	$I_R=100\mu\text{A}, H=0\text{mw}/\text{cm}^2$
Operating Temperature	T_{opr}	-30	-	+85	$^\circ\text{C}$	—
Storage Temperature	T_{str}	-40	-	+100	$^\circ\text{C}$	—

■ Electrical and optical characteristics($T_a=25\text{ }^\circ\text{C}$)

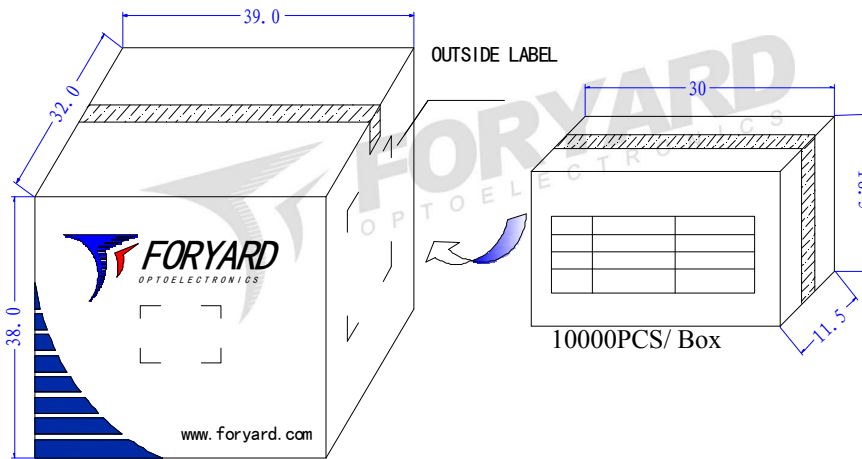
Parameter	Symbol	Min.	Typ.	Max.	Unit	Test Condition
Forward Voltage	VF	0.5	1.3	1.7	V	$I_F=20\text{mA}$
Peak Sensing Wavelength	λ_p		940		nm	$I_F=20\text{mA}$
Light Current	IL	-	1.8	-	μA	H $\text{as}1\text{mw}/\text{cm}^2@940\text{nm}, V_R=5\text{V}$
Reverse Dark Current	ID		2	10	nA	$H=0\text{mw}/\text{cm}^2, V_R=10\text{V}$
Junction Capacitance	CJ		1.5		PF	$V_R=3\text{V}, f=1\text{MHZ}, H=0\text{mw}/\text{cm}^2$

Model. No.	FYL-5012PD1C
Rev.	A

■ LAMP PACKING.



5mm 1000PCS/Polybag



60000PCS/ Carton



OUTSIDE LABEL