

Model. No.	FYL-5463LUYD1E
Rev.	A

# PRODUCT SPECIFICATION

## Model No.: FYL-5463LUYD1E

Descriptions:
■ Dice material: AlGaInP.
■ Emitting Color: Super bright Yellow.
■ Device Outline: $\Phi 5 \times 4$ mm ellipse type.
■ Lens Type: Yellow diffused.



CUSTOMER APPROVED SIGNATURES	APPROVED BY	CHECKED BY	PREPARED BY

**NINGBO FORYARD OPTOELECTRONICS CO.,LTD.**

**Add:** NO.115 Qixin Road Ningbo Zhejiang China

**Zip:** 315051

**Tel:** 0086-574-87933652 87927870 87922206

**Fax:** 0086-574-87927917

**E-mail:** Sales@foryard.com (General)

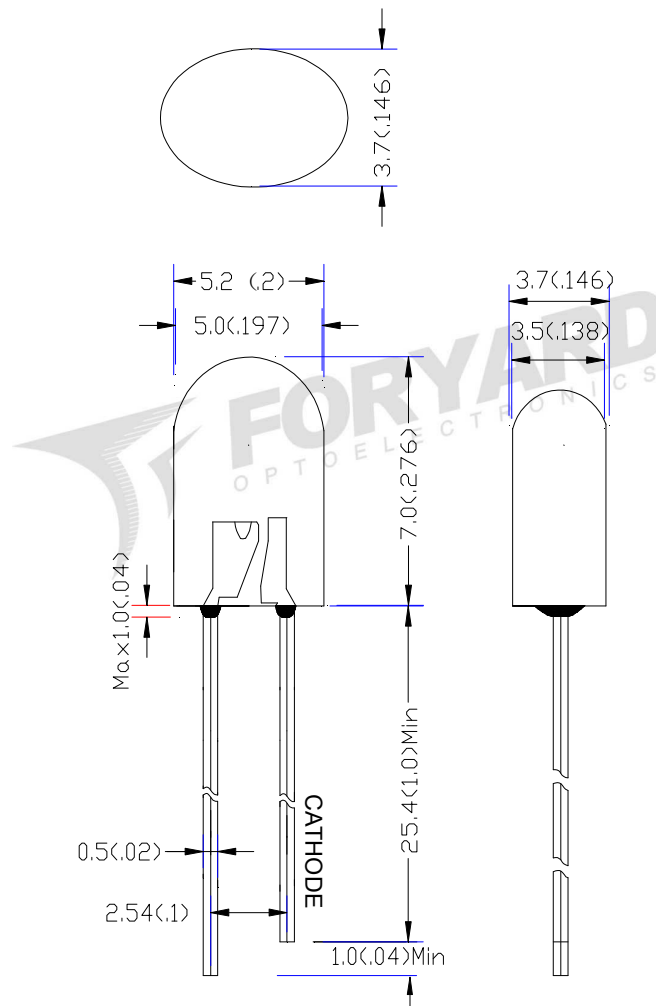
[Http://www.foryard.com](http://www.foryard.com)

Model. No.	FYL-5463LUYD1E
Rev.	A

## ■ Features

1. Low power consumption.
2. High efficiency.
3. General purpose leads.
4. High intensity.
5. RoHs compliant.

## ■ Package configuration



### Notes:

1. All dimensions are millimeters (inches)
2. Tolerance is  $\pm 0.25\text{mm}$  ( $.010''$ ) unless otherwise noted.
3. The specifications, characteristics and technical data described in the datasheet are subject to change without prior notice.

■ Absolute maximum ratings(Ta=25 ° c)

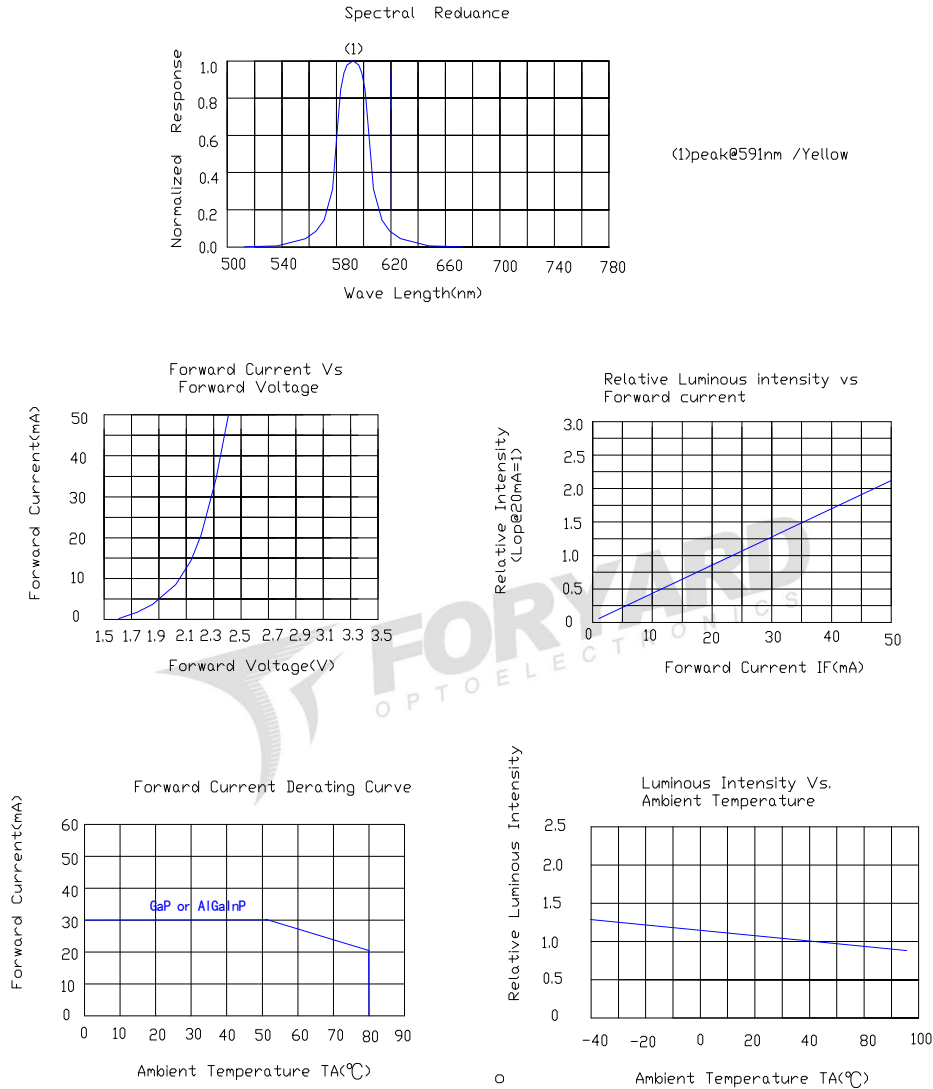
Parameter	MAX.	Unit
Power Dissipation	75	mW
Peak Forward Current (1/10 Duty Cycle, 0.1ms Pulse Width)	100	mA
Continuous Forward Current	30	mA
Derating Linear From 50°C	0.4	mA/°C
Reverse Voltage	5	V
Operating Temperature Range	-40°C to +85°C	
Storage Temperature Range	-40°C to +100°C	
Lead Soldering Temperature[4mm(.157") From Body]	260°C for 5 Seconds	

■ Electrical and optical characteristics(Ta=25 ° c)

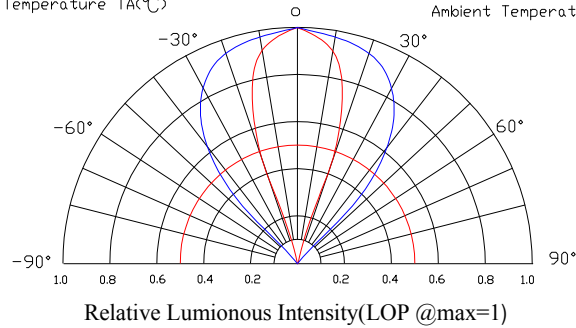
Parameter	Symbol	Min.	Typ.	Max.	Unit	Test Condition
Luminous Intensity	$I_v$	-	2000	-	mcd	I <sub>F</sub> =20mA
Viewing Angle	2θ <sub>1/2</sub>	X	90	-	Deg	
		Y	35			
Peak Emission Wavelength	λ <sub>p</sub>	-	591	-	nm	
Dominant Wavelength	λ <sub>d</sub>	585	590	595	nm	
Spectral Line Half-Width	Δλ	-	20	-	nm	
Forward Voltage	V <sub>F</sub>	1.7	2.0	2.5	V	
Reverse Current	I <sub>R</sub>			10	μA	V <sub>R</sub> =5V

## ■ Typical Electrical Characteristics Curves

(25 °c Ambient Temperature Unless Otherwise Noted)

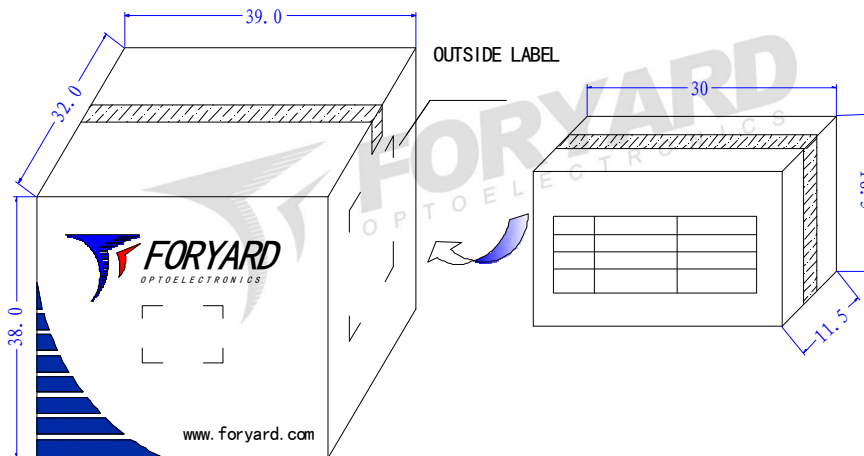
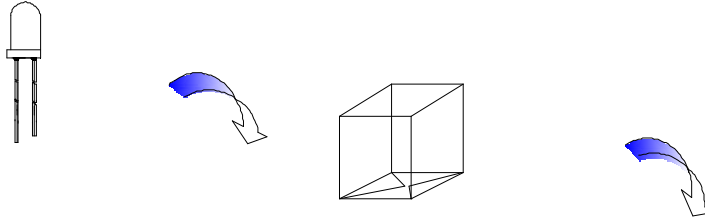


## Radiation pattern.



Model. No.	FYL-5463LUYD1E
Rev.	A

■ LAMP PACKING.



OUTSIDE LABEL