

Model No.	FYL-5019URPGC1C-CA
Rev.	A

PRODUCT SPECIFICATION

Model No.: FYL-5019URPGC1C-CA

Descriptions:
■ Dice material: AlGaInP/InGaN
■ Emitting Color: Red/Pure green
■ Device Outline: Φ5mm round type.
■ Lens Type: Water clear.



CUSTOMER APPROVED SIGNATURES	APPROVED BY	CHECKED BY	PREPARED BY

NINGBO FORYARD OPTOELECTRONICS CO.,LTD.

Add: NO.115 Qixin Road Ningbo Zhejiang China

Zip: 315051

Tel: 0086-574-87933652 87927870 87922206

Fax: 0086-574-87927917

E-mail: Sales@foryard.com (General)

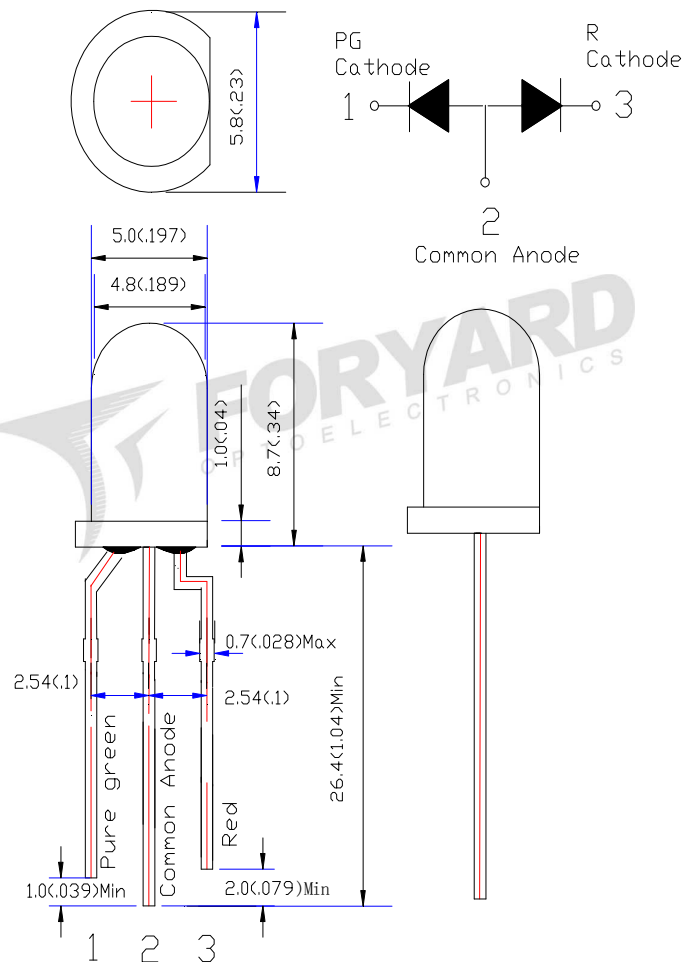
[Http://www.foryard.com](http://www.foryard.com)

[Http://www.foryard.com](http://www.foryard.com)

■ Features

1. Low power consumption.
2. High efficiency.
3. General purpose leads.
4. RoHs compliant.

■ Package configuration



Notes:

1. All dimensions are millimeters (inches)
2. Tolerance is $\pm 0.25\text{mm}$ ($\pm 0.010''$) unless otherwise noted.
3. The specifications, characteristics and technical data described in the datasheet are subject to change without prior notice.

■ Absolute maximum ratings(Ta=25 ° c)

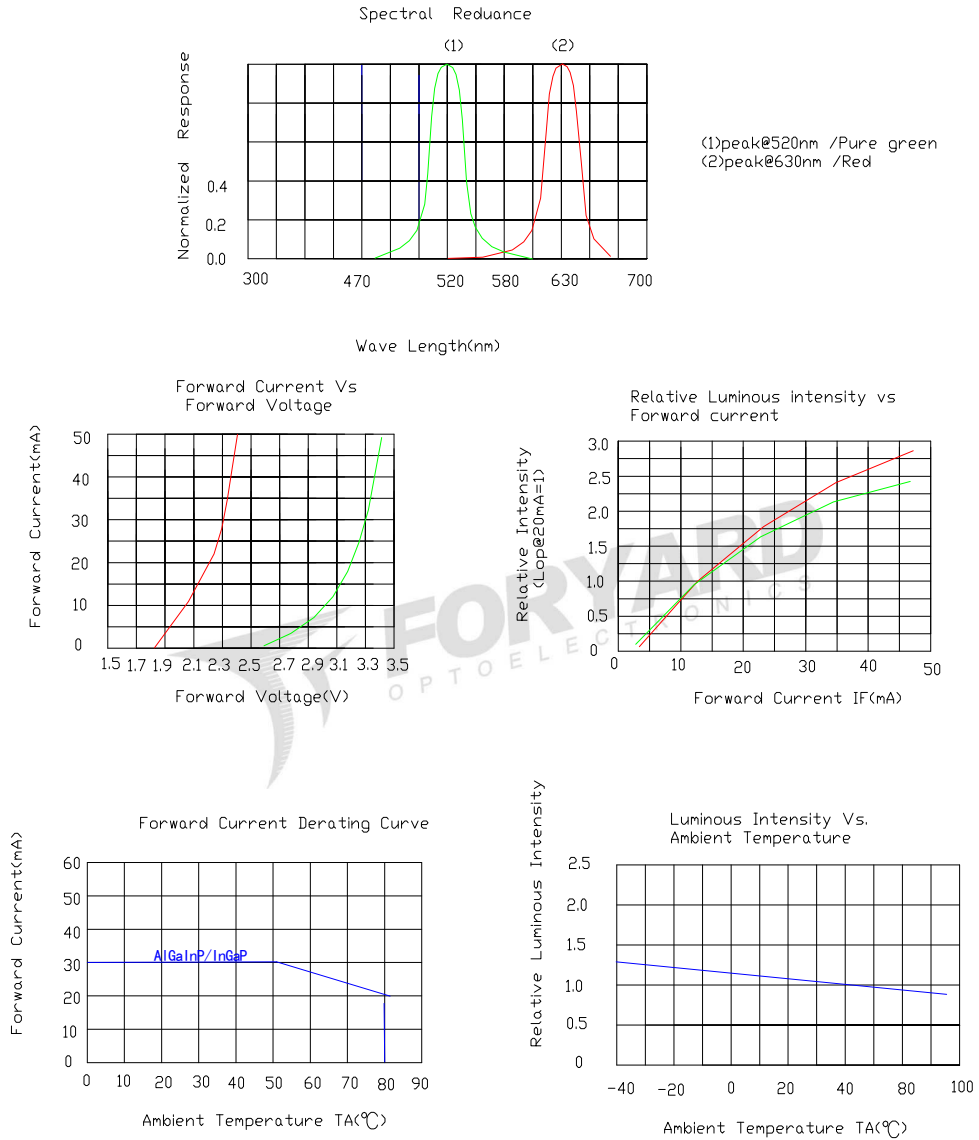
Parameter	MAX.	Unit
Power Dissipation	UR 75	mW
	PG 100	
Peak Forward Current (1/10 Duty Cycle, 0.1ms Pulse Width)	100	mA
Continuous Forward Current	30	mA
Derating Linear From 50°C	0.4	mA/°C
Reverse Voltage	5	V
Operating Temperature Range	-40°C to +85°C	
Storage Temperature Range	-40°C to +100°C	
Lead Soldering Temperature[4mm(.157") From Body]	260°C for 5 Seconds	

■ Electrical and optical characteristics(Ta=25 ° c)

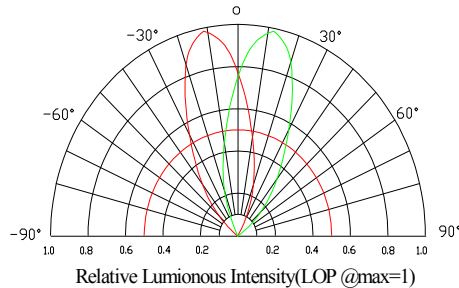
Parameter	Symbol	Min.	Typ.	Max.	Unit	Test Condition
Luminous Intensity	I _v	UR	-	5000	-	mcd
		PG		13000		
Viewing Angle	2θ _{1/2}	UR	-	30	-	Deg
		PG		30		
Peak Emission Wavelength	λ _p	UR		630		nm
		PG		520		
Dominant Wavelength	λ _d	UR	620	625	630	nm
		PG	517	522	527	
Spectral Line Half-Width	Δλ	UR		15		nm
		PG		30		
Forward Voltage	V _F	UR	1.7	2.0	2.4	V
		PG	2.8	3.2	3.4	
Reverse Current	I _R			10	μA	V _R =5V

■ Typical Electrical Characteristics Curves

(25 °c Ambient Temperature Unless Otherwise Noted)

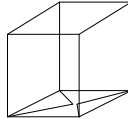


Radiation pattern.

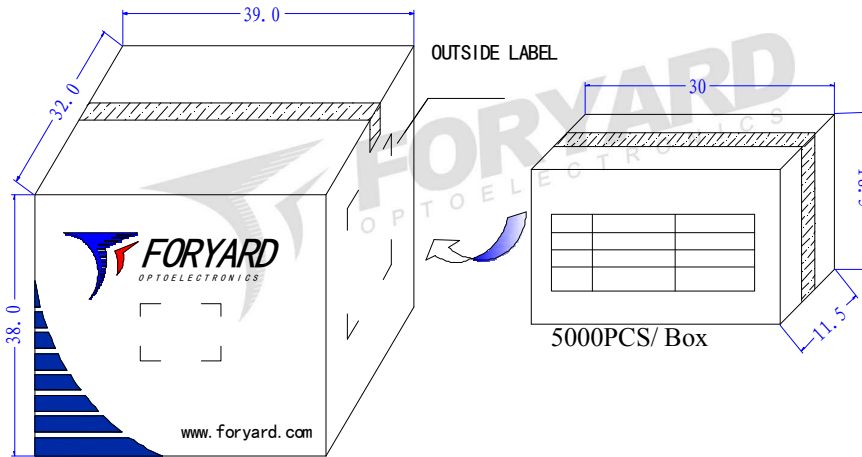
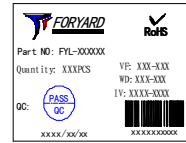


Model. No.	FYL-5019URPGC1C-CA
Rev.	A

■ LAMP PACKING.



5mm 500PCS/Polybag



30000PCS/ Carton



OUTSIDE LABEL