

|            |              |
|------------|--------------|
| Model. No. | FYL-5012HD1C |
| Rev.       | A            |

# PRODUCT SPECIFICATION

## Model No.: FYL-5012HD1C

| Descriptions:                      |
|------------------------------------|
| ■ Dice material: GaP               |
| ■ Emitting Color: Hi Red           |
| ■ Device Outline: Φ5mm round type. |
| ■ Lens Type: Red diffused          |



| CUSTOMER APPROVED SIGNATURES | APPROVED BY | CHECKED BY | PREPARED BY |
|------------------------------|-------------|------------|-------------|
|                              |             |            |             |

**NINGBO FORYARD OPTOELECTRONICS CO.,LTD.**

**Add:** NO.115 Qixin Road Ningbo Zhejiang China

**Zip:** 315051

**Tel:** 0086-574-87933652 87927870 87922206

**Fax:** 0086-574-87927917

**E-mail:** Sales@foryard.com (General)

**Http://**[www.foryard.com](http://www.foryard.com)

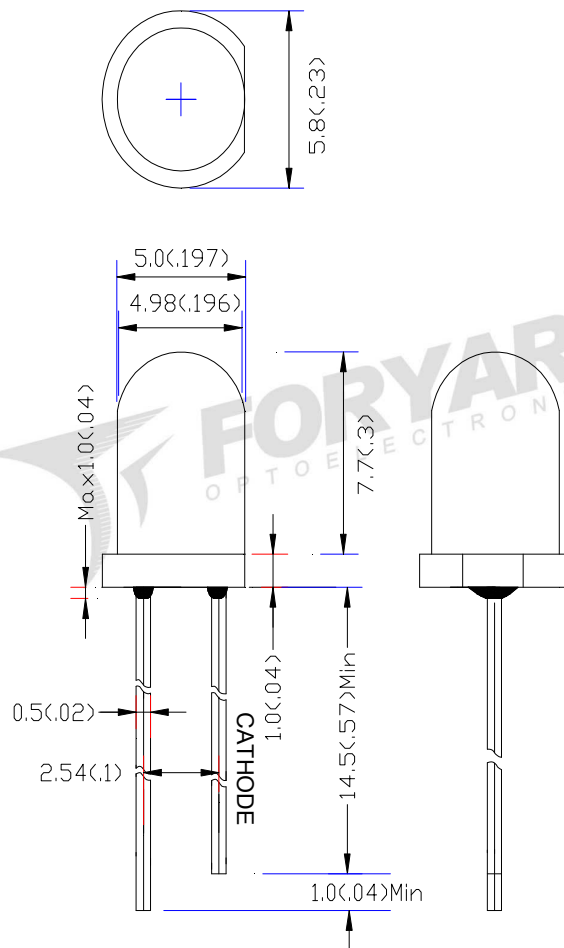
[Http://www.foryard.com](http://www.foryard.com)

|            |              |
|------------|--------------|
| Model. No. | FYL-5012HD1C |
| Rev.       | A            |

## ■ Features

1. Low power consumption.
2. High efficiency.
3. General purpose leads.
4. RoHs compliant.

## ■ Package configuration



### Notes:

1. All dimensions are millimeters (inches)
2. Tolerance is  $\pm 0.25\text{mm}$  (.010") unless otherwise noted.
3. The specifications, characteristics and technical data described in the datasheet are subject to change without prior notice.

■ Absolute maximum ratings( $T_a=25\text{ }^\circ\text{C}$ )

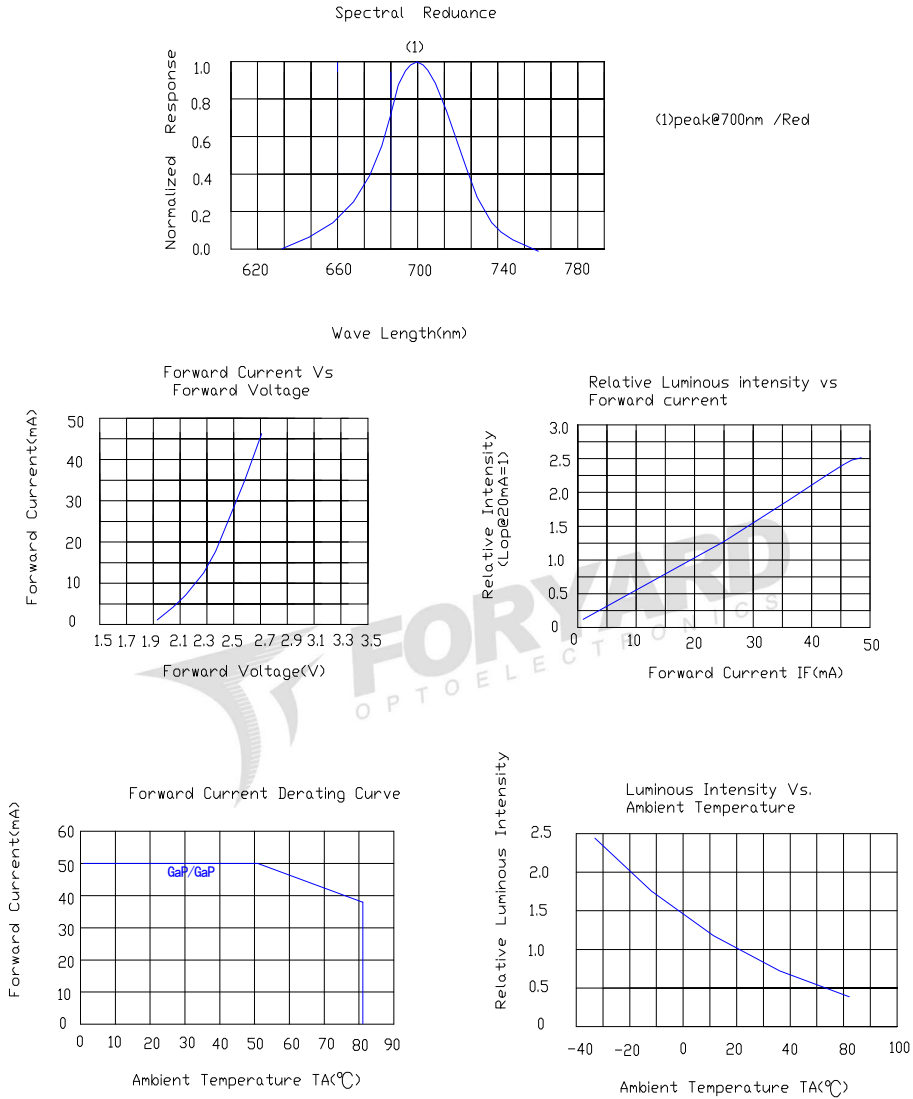
| Parameter   | MAX.                | Unit  |
|---|---------------------|-------|
| Power Dissipation   | 75                  | mW    |
| Peak Forward Current (1/10 Duty Cycle, 0.1ms Pulse Width) | 100                 | mA    |
| Continuous Forward Current                                | 30                  | mA    |
| Derating Linear From 50°C                                 | 0.4                 | mA/°C |
| Reverse Voltage   | 5                   | V     |
| Operating Temperature Range                               | -40°C to +85°C      |       |
| Storage Temperature Range                                 | -40°C to +100°C     |       |
| Lead Soldering Temperature[4mm(.157") From Body]          | 260°C for 5 Seconds |       |

■ Electrical and optical characteristics( $T_a=25\text{ }^\circ\text{C}$ )

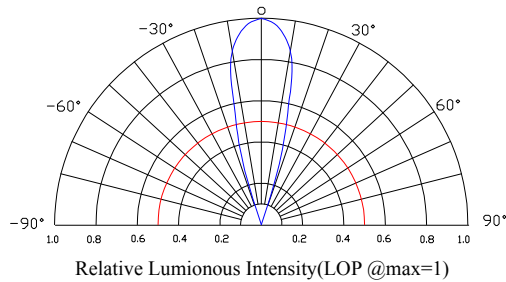
| Parameter                | Symbol          | Min. | Typ. | Max. | Unit          | Test Condition    |
|--------------------------|-----------------|------|------|------|---------------|-------------------|
| Luminous Intensity       | $I_v$           | -    | 10   | -    | mcd           | $I_F=20\text{mA}$ |
| Viewing Angle            | $2\theta_{1/2}$ | -    | 30   | -    | Deg           |                   |
| Peak Emission Wavelength | $\lambda_p$     | -    | 700  | -    | nm            |                   |
| Dominant Wavelength      | $\lambda_d$     | -    | 660  | -    | nm            |                   |
| Spectral Line Half-Width | $\Delta\lambda$ | -    | 100  | -    | nm            |                   |
| Forward Voltage          | $V_F$           | 1.8  | 2.3  | 2.7  | V             |                   |
| Reverse Current          | $I_R$           |      |      | 10   | $\mu\text{A}$ | $V_R=5\text{V}$   |

## ■ Typical Electrical Characteristics Curves

(25 °c Ambient Temperature Unless Otherwise Noted)

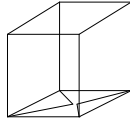


## Radiation pattern.

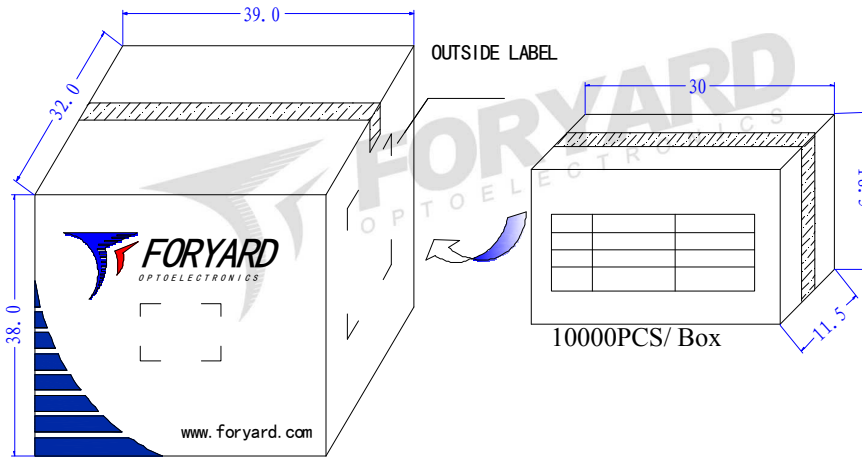
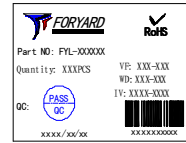


|            |              |
|------------|--------------|
| Model. No. | FYL-5012HD1C |
| Rev.       | A            |

■ LAMP PACKING.



5mm 1000PCS/Polybag



60000PCS/ Carton



OUTSIDE LABEL