

Model. No.	FYL-3019URUBW1A-CA
Rev.	A

# PRODUCT SPECIFICATION

**Model No.: FYL-3019URUBW1A-CA**

Descriptions:
■ Dice material: AlGaInP/InGaN
■ Emitting Color: Red/Blue
■ Device Outline: Φ3mm round type.
■ Lens Type: White diffused.



CUSTOMER APPROVED SIGNATURES	APPROVED BY	CHECKED BY	PREPARED BY

**NINGBO FORYARD OPTOELECTRONICS CO.,LTD.**

**Add:** NO.115 Qixin Road Ningbo Zhejiang China

**Zip:** 315051

**Tel:** 0086-574-87933652 87927870 87922206

**Fax:** 0086-574-87927917

**E-mail:** Sales@foryard.com (General)

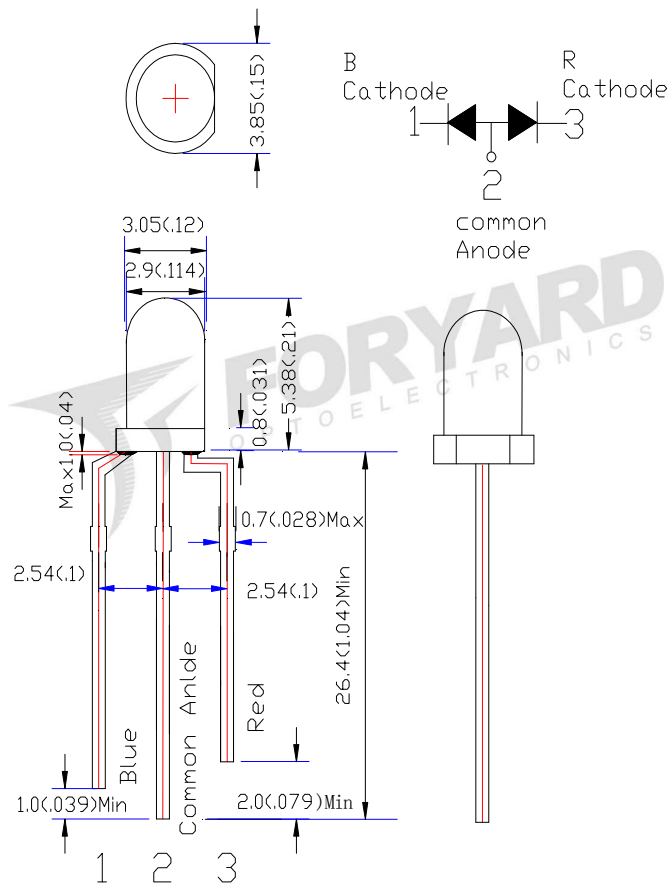
[Http://www.foryard.com](http://www.foryard.com)

[Http://www.foryard.com](http://www.foryard.com)

## ■ Features

1. Low power consumption.
2. High efficiency.
3. General purpose leads.
4. RoHs compliant.

## ■ Package configuration



### Notes:

1. All dimensions are millimeters (inches)
2. Tolerance is  $\pm 0.25\text{mm}$  ( $.010''$ ) unless otherwise noted.
3. The specifications, characteristics and technical data described in the datasheet are subject to change without prior notice.

■ Absolute maximum ratings(Ta=25 ° c)

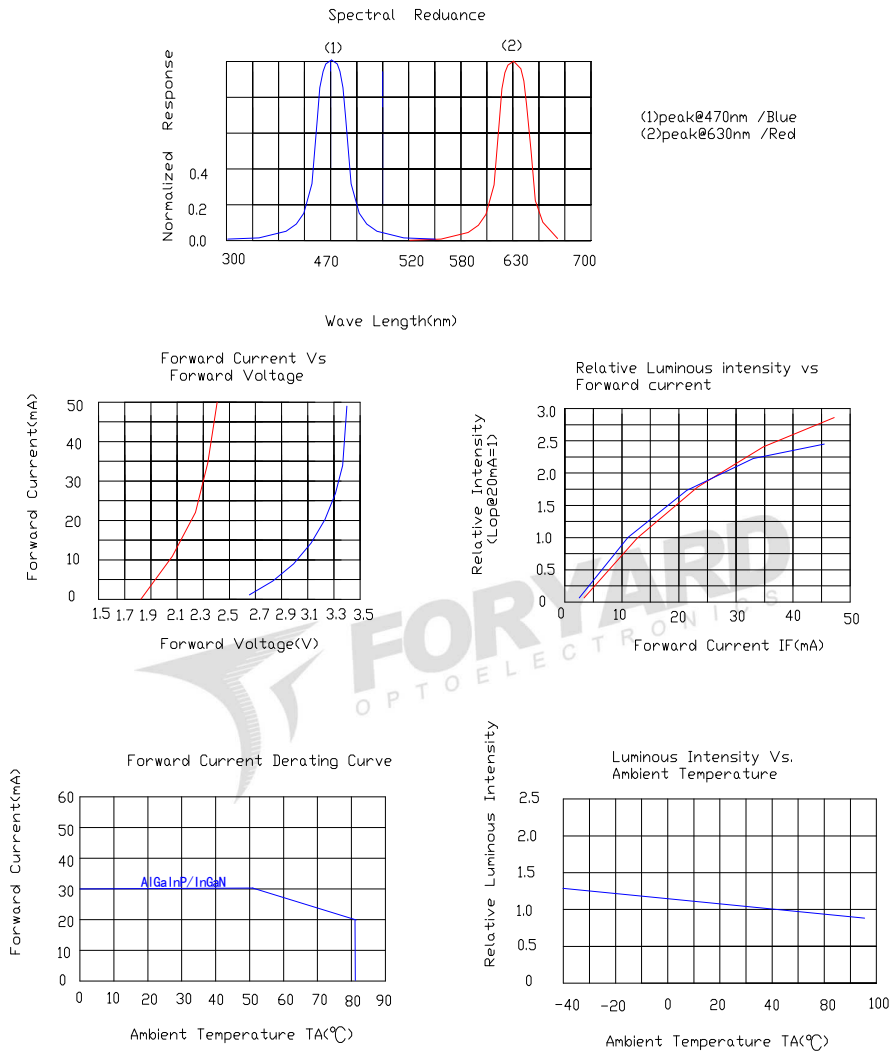
Parameter	MAX.		Unit
Power Dissipation	UR	75	mW
	UB	100	
Peak Forward Current (1/10 Duty Cycle, 0.1ms Pulse Width)	100		mA
Continuous Forward Current	30		mA
Derating Linear From 50°C	0.4		mA/°C
Reverse Voltage	5		V
Operating Temperature Range	-40°C to +85°C		
Storage Temperature Range	-40°C to +100°C		
Lead Soldering Temperature[4mm(.157") From Body]	260°C for 5 Seconds		

■ Electrical and optical characteristics(Ta=25 ° c)

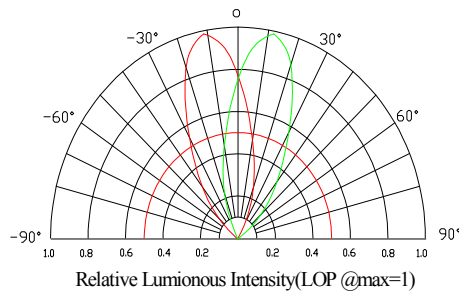
Parameter	Symbol	Min.	Typ.	Max.	Unit	Test Condition
Luminous Intensity	I <sub>v</sub>	UR	-	1300	-	mcd
		UB		1400		
Viewing Angle	2θ <sub>1/2</sub>	UR	-	30	-	Deg
		UB		30		
Peak Emission Wavelength	λ <sub>p</sub>	UR		630		nm
		UB		470		
Dominant Wavelength	λ <sub>d</sub>	UR	620	625	630	nm
		UB	464	468	474	
Spectral Line Half-Width	Δλ	UR		15		nm
		UB		30		
Forward Voltage	V <sub>F</sub>	UR	1.7	2.0	2.4	V
		UB	2.8	3.2	3.4	
Reverse Current	I <sub>R</sub>			10	μA	V <sub>R</sub> =5V

## ■ Typical Electrical Characteristics Curves

(25 °c Ambient Temperature Unless Otherwise Noted)

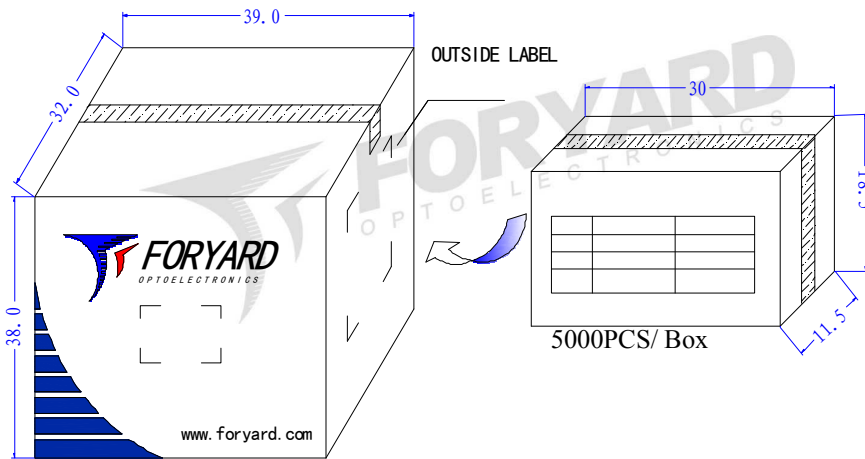
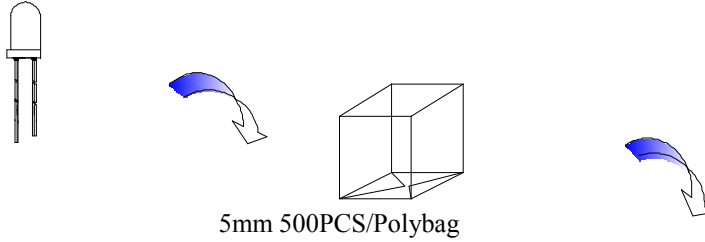


## Radiation pattern.



<b>Model. No.</b>	FYL-3019URUBW1A-CA
<b>Rev.</b>	A

■ LAMP PACKING.



OUTSIDE LABEL